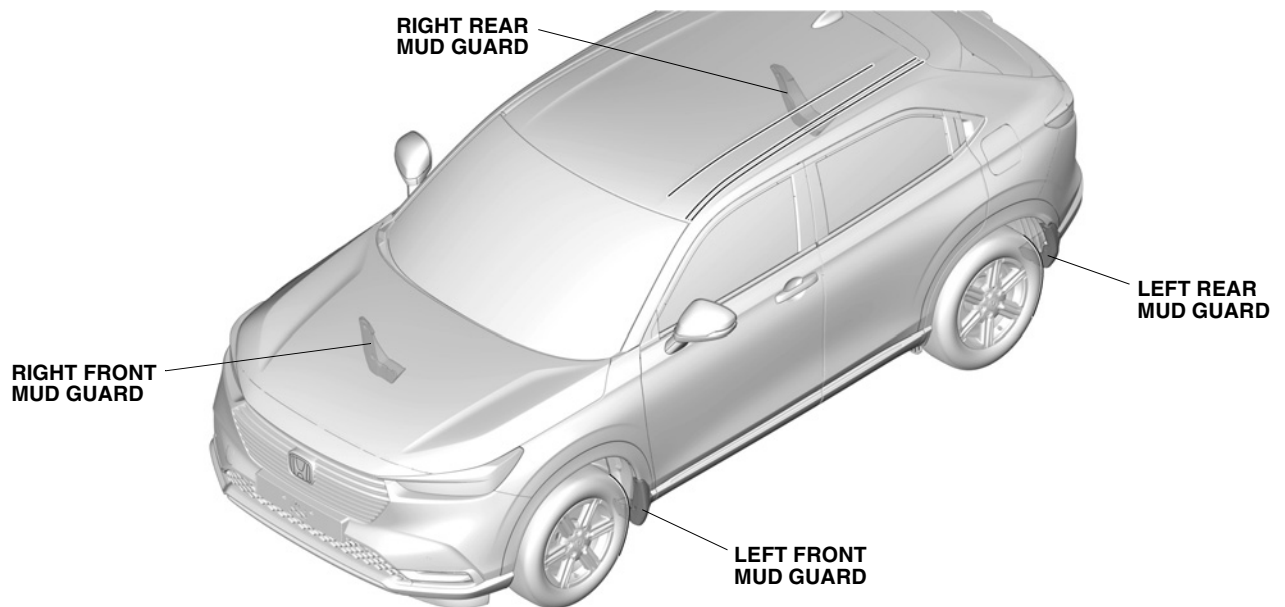


MUD GUARDS

HR-V

GENERAL VIEW



QL61701AU

FOR YOUR SAFETY (Read carefully)

Introduction of Symbol Messages

- These symbols warn you about the possible hazards and explain how to avoid them. And give you some advices.

⚠ DANGER

You will be killed or seriously hurt if you do not follow the instructions.

⚠ WARNING

You can be killed or seriously hurt if you do not follow the instructions.

⚠ CAUTION

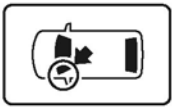
You can be hurt if you do not follow the instructions.

NOTICEGives advice to prevent damage to the product.
Gives helpful information or instructions to be followed in using the product.

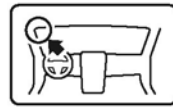
Indicates prohibited actions.

Introduction of Icons

- These icons indicate the working place and the worker's vision.



The place for the vehicle.



The place for the instrument panel.

- These icons indicate the necessary things for your safety and the work.



Wear eye protection.



Wear heavy gloves.



Work with an assistant.



Place the part on a blanket.



Remove any burrs.



Use the touch-up paint and dry.



Keep the parts and give it to the customer.
(Not use)



Press firmly.



Tighten by specified torque.

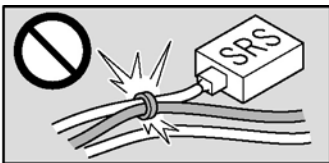


Work perpendicularly.

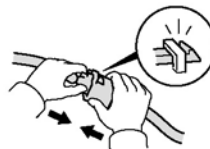


Clean with the contact cleaner.

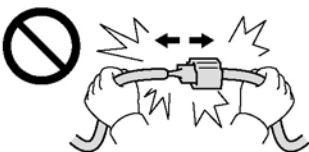
Wire Harness Routing Precaution



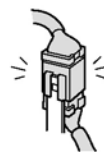
Do not clamp the accessory harness and SRS harness together. (except for instruction cases).



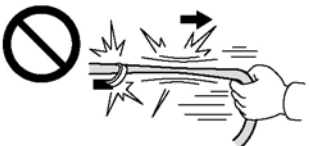
Connect the connectors and terminals securely until they lock.



Do not pull the harness to disconnect the connectors.



Reinstall the connectors to the original positions if they are removed.



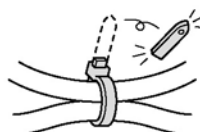
Do not pull the harness strongly.



Secure the accessory harness to the specified position, not to hang down.



Do not pinch the harness with the parts.



Cut off the excess of the wire ties.

Safety: General

- Observe all safety notes and precautions described in the Shop Manual in addition to those described in this Installation Instructions. Be extremely careful for your safety and safety of others particularly.
- Be careful not to damage the vehicle and the parts.
- Be extremely careful to the handling of the retaining tabs and clips particularly.
- Note the locations of the parts before removing them so that they can be reinstalled in their original positions properly.
- The illustrations may differ a little from the actual accessories for the design change of the vehicle.

Safety: For Electric Parts





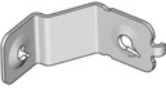


- Do not perform the installation of the accessories with having connected negative cable of the battery.

Safety: For the Accessory

- **Always use the parts and tools specified in the installation instructions.**

PARTS LIST

Mud Guard Kit

Left front mud guard	Right front mud guard	Left rear mud guard	Right rear mud guard
			
Brackets (2)	5 x 25 mm Self-tapping screws (8)	5 x 15 mm Self-tapping screws (4)	
			

TOOLS AND SUPPLIES REQUIRED

- Phillips screwdriver
- 5 mm Hex wrench
- Tape
- 10 mm Socket
- Drill
- Eye protection
(face shield, safety goggles, etc.)
- Ratchet
- Stubby Phillips screwdriver
- Blanket
- 10 mm Open end wrench
- Handy remover
- Ruler
- Utility knife
- Pushpin
- File
- 3 mm and 6 mm Drill bits

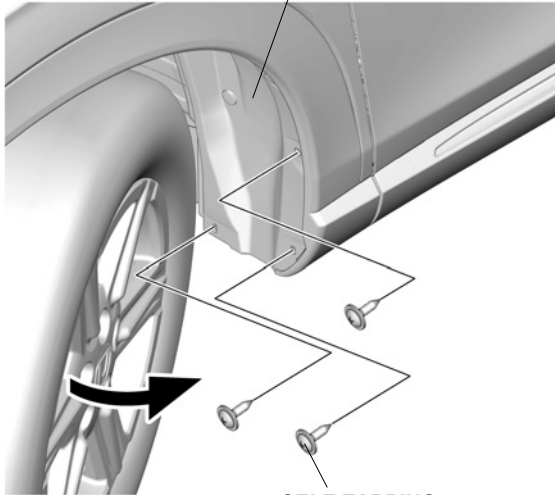
INSTALLATION

Installing the Front Mud Guards

1. Turn the steering wheel fully counterclockwise.
2. Remove the self-tapping screws.



LEFT FRONT
INNER FENDER



3 SELF-TAPPING
SCREWS

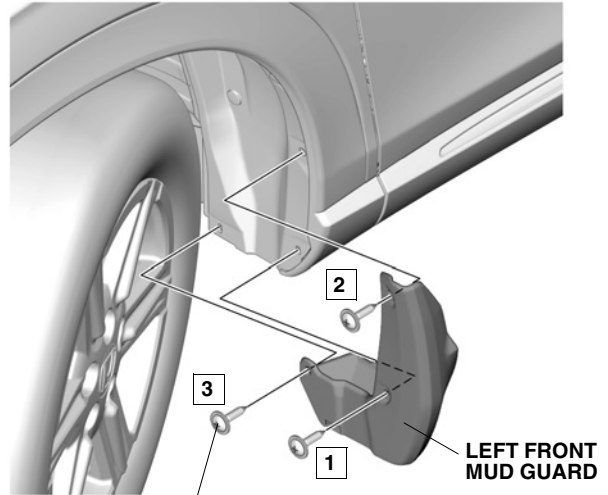


QK92002AU

3. Install the left front mud guard.

NOTICE

- Make sure that there is no gap between the mud guard and vehicle.
- Make sure that the mud guard is properly installed.
- Install in the order shown.

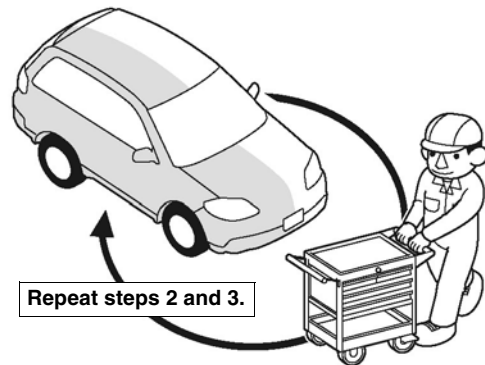


LEFT FRONT
MUD GUARD

3 SELF-TAPPING
SCREWS,
5 x 25 mm
(supplied)

QK92003AU

4. Turn the steering wheel fully clockwise.
5. Repeat same procedures for the other side.



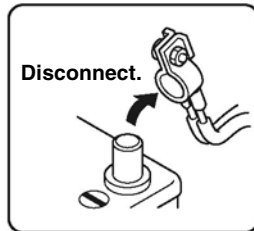
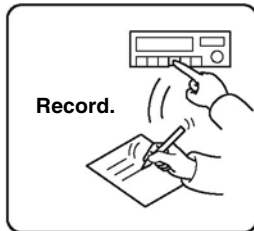
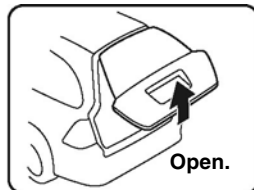
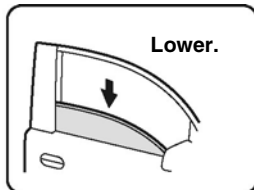
Q9D1014AM

Disconnecting the Battery Cable

6. Perform the works before disconnecting the negative cable from the battery as shown below.
7. Make sure if you have the anti-theft code for the audio/navigation system. Record some settings of the vehicle if necessary.
8. Disconnect the negative cable from the battery.

NOTICE

- Make sure not to disconnect the negative cable from the battery three minutes after turning the engine switch to OFF.



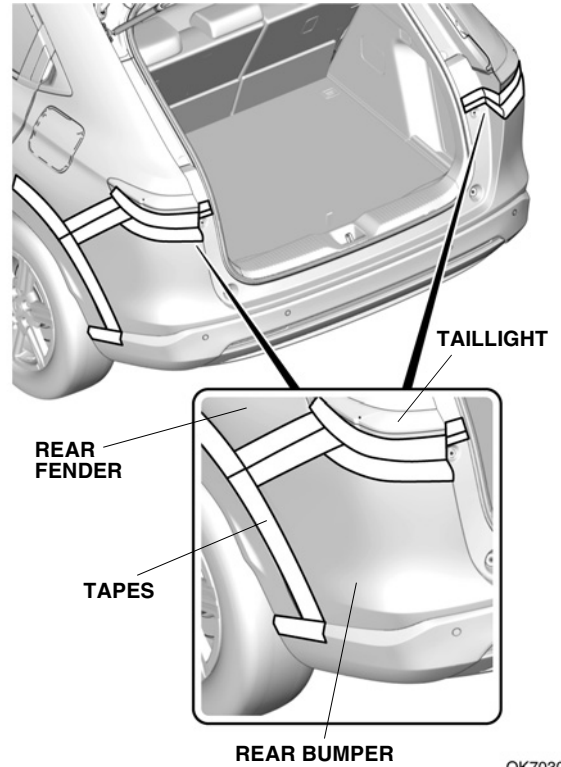
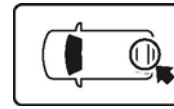
QCD0504BM

Installing the Rear Mud Guards

9. Attach the tapes to protect the vehicle.

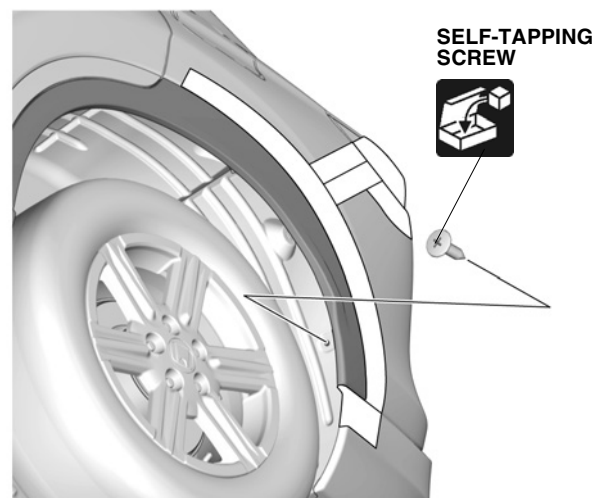
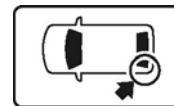
NOTICE

- Do not remove the tapes until after the reinstallation.



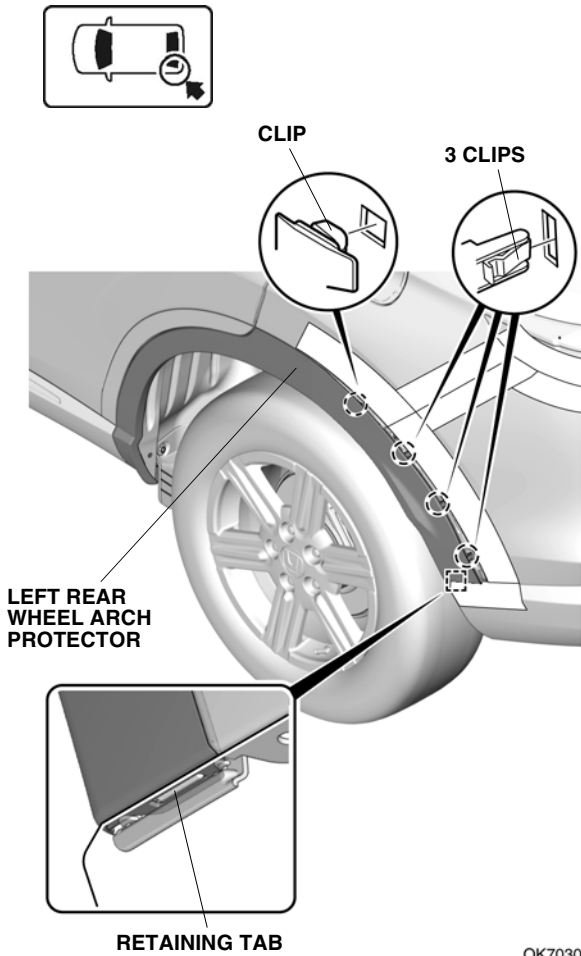
QK70303BU

10. Remove the self-tapping screw.

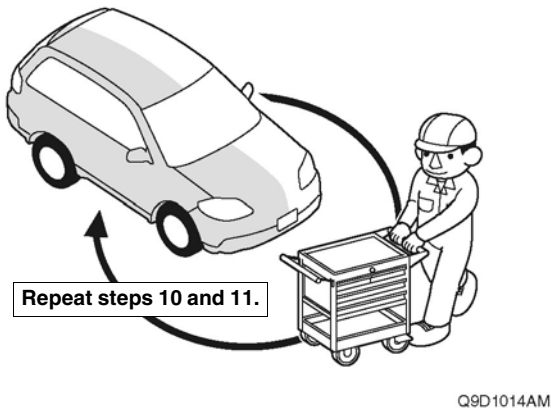


QK70301BU

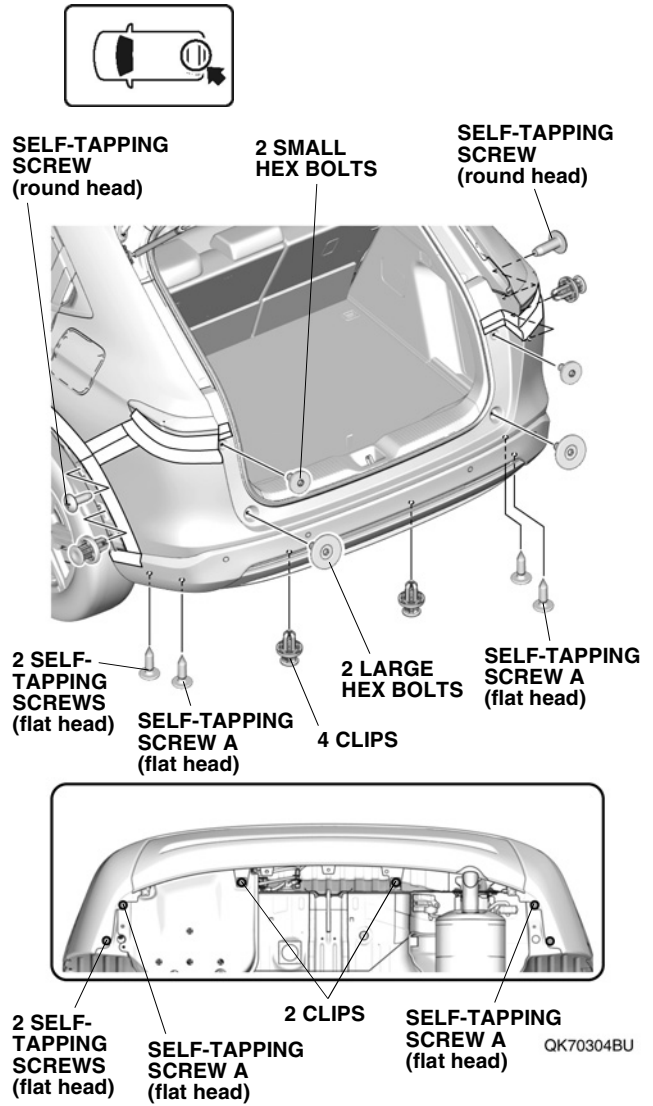
11. Release the left rear wheel arch protector.



12. Repeat same procedures for the other side.

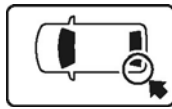


13. Remove the hex bolts, clips, and self-tapping screws.

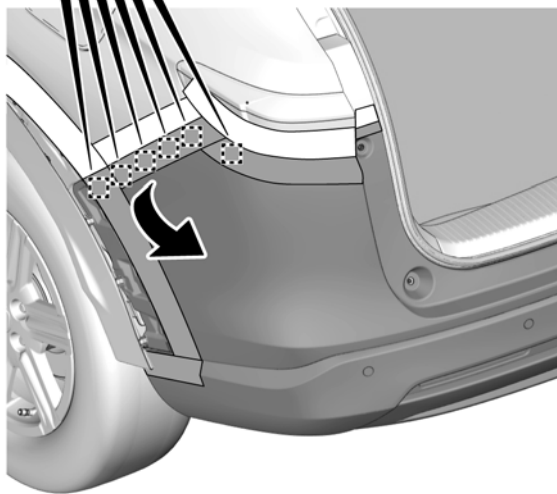
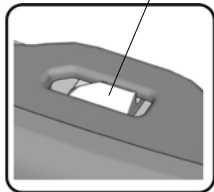


14. Release the retaining tabs.

NOTICE
<ul style="list-style-type: none">• Release the retaining tabs in order from outside.• Make sure to release the retaining tabs in the correct orientation.



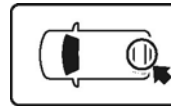
6 RETAINING TABS



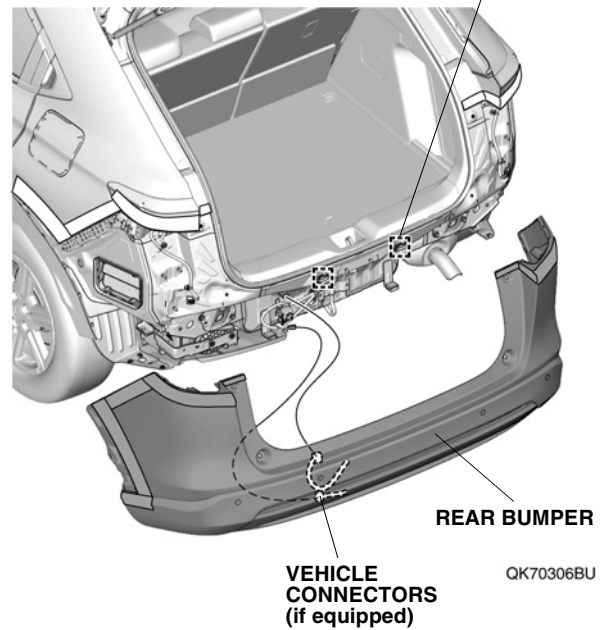
QK70305BU

15. Repeat step 14 for the other side.

16. Remove the rear bumper.



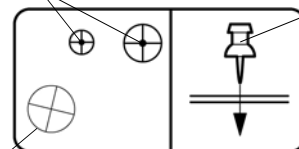
2 RETAINING TABS



17. Pierce the rear bumper.

NOTICE
<ul style="list-style-type: none">• Make sure to locate the correct scribe mark.

●: 2 MARKS

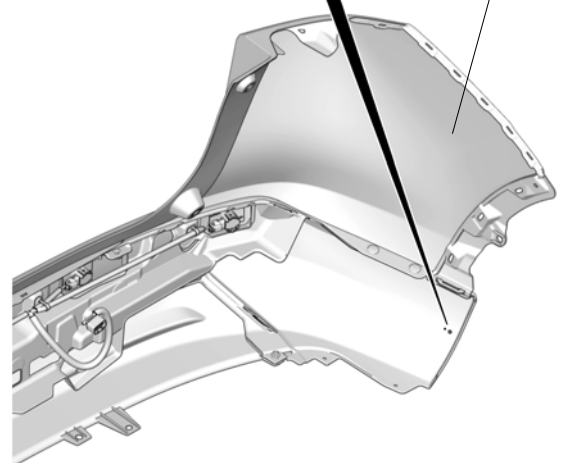


PUSHPIN



Do not use.
SCRIBE MARK

REAR BUMPER (inside)



QK92004BU

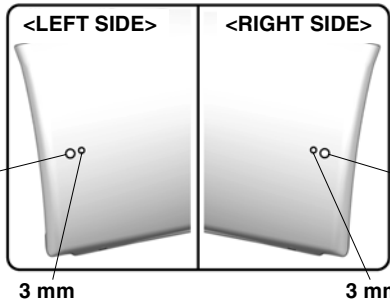
18. Drill the rear bumper.

NOTICE

- Make sure to drill the correct position.



<FINAL HOLE DIAMETER>

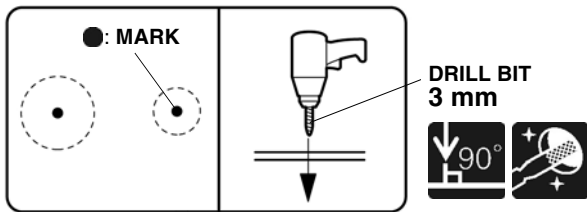


6 mm

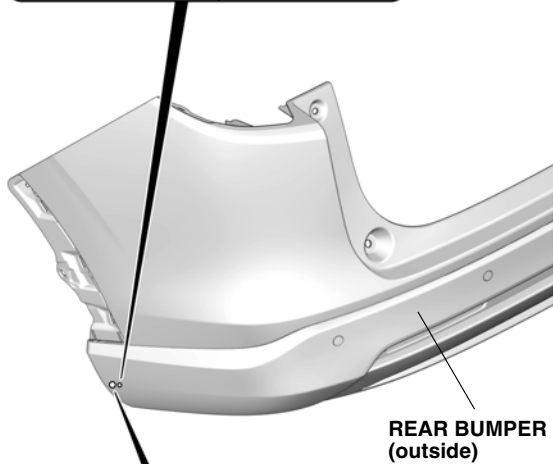
6 mm

3 mm

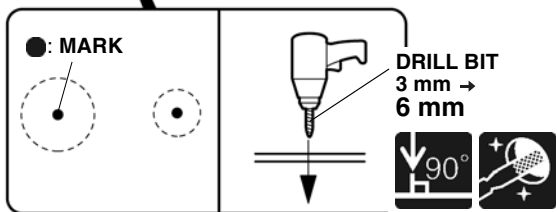
3 mm



DRILL BIT
3 mm



REAR BUMPER
(outside)



DRILL BIT
3 mm →
6 mm

QK92005DU

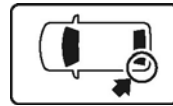
19. Install the bracket.

BRACKET

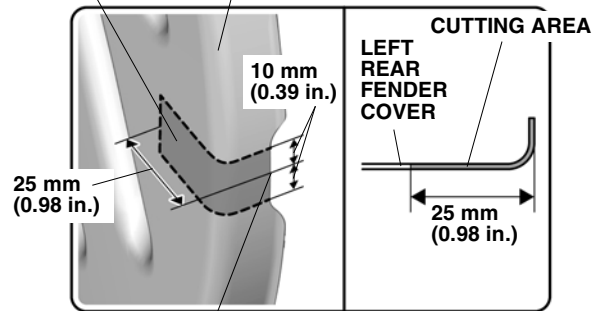
5 x 15 mm
SELF-TAPPING
SCREW

QK92006AU

20. Cut the left rear fender cover.

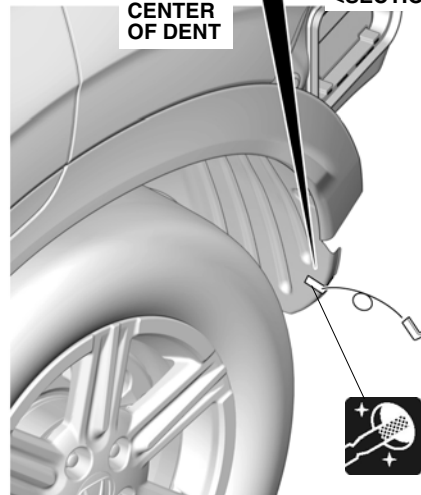


CUTTING AREA
LEFT REAR
FENDER COVER



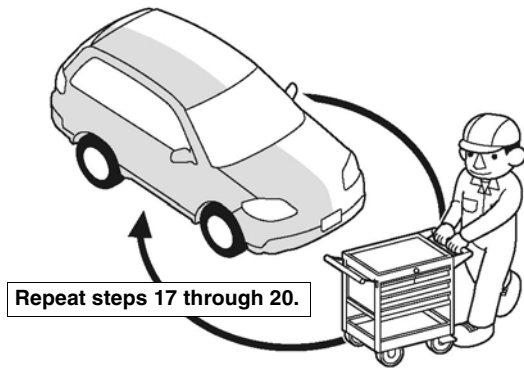
CENTER
OF DENT

<SECTION VIEW>



QK92007AU

21. Repeat same procedures for the other side.



Repeat steps 17 through 20.

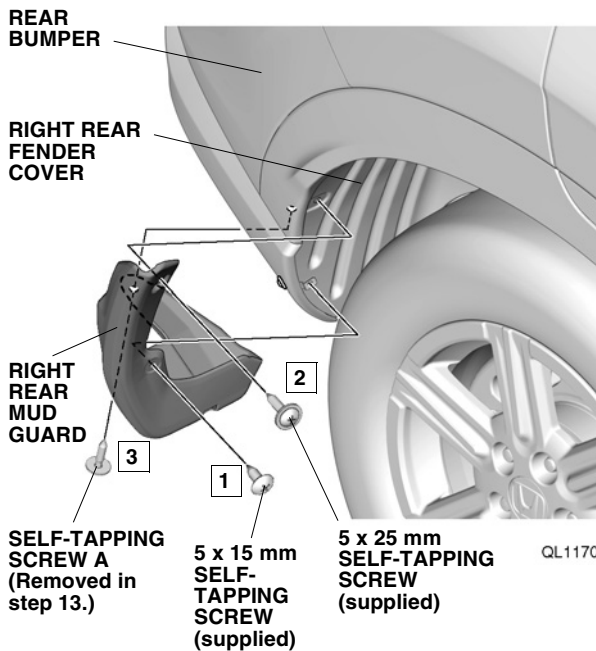
Q9D1014AM

22. Reinstall the rear bumper, left and right rear wheel arch protector except for the self-tapping screws A.

23. Install the right rear mud guard.

NOTICE

- Make sure that there is no gap between the mud guard and vehicle.
- Make sure that the mud guard is properly installed.
- Install in the order shown.

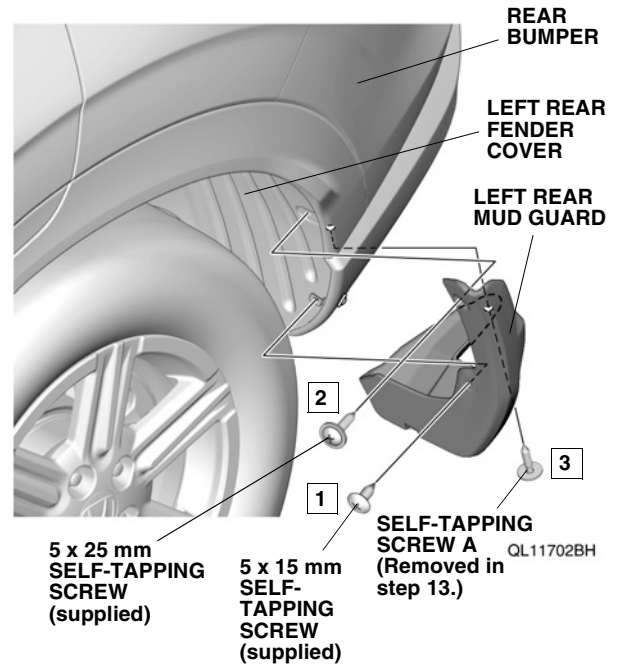
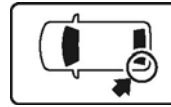


QL11701AH

24. Install the left rear mud guard.

NOTICE

- Make sure that there is no gap between the mud guard and vehicle.
- Make sure that the mud guard is properly installed.
- Install in the order shown.

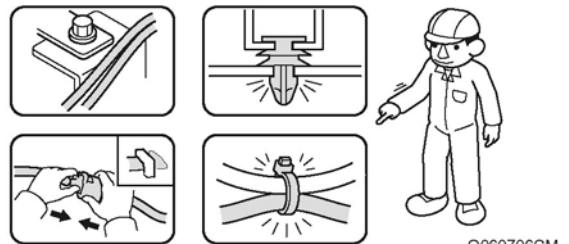


Check After Installation

25. Check that all parts are routed and installed properly.

NOTICE

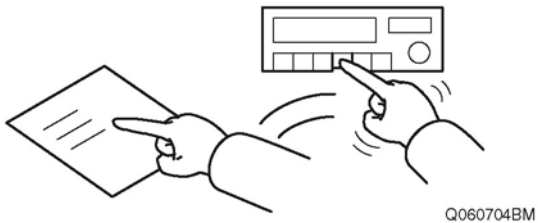
- Check that the harnesses are not pushed, not pulled and not pinched.
- Check that all clamps and wire ties are installed securely.



Q060706CM

Vehicle Check

26. Reconnect the negative cable to the battery.
27. Check that the electric accessories and systems operate properly.
28. Press and hold the audio power button for two seconds, or enter anti-theft code for the audio/navigation system.
29. Reset the memory of each equipment and restore the positions of those control knobs.



Q060704BM