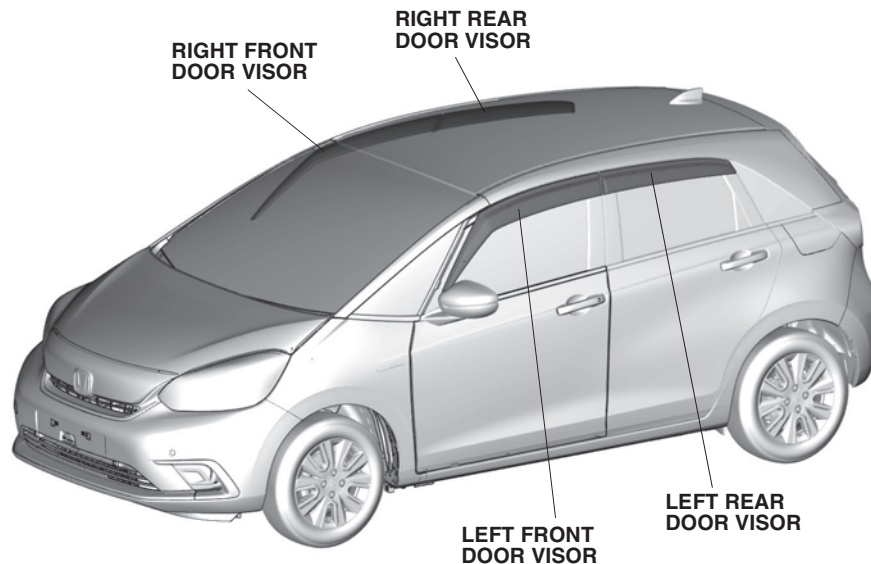


DOOR VISORS

JAZZ

GENERAL VIEW



QJ80401AU

FOR YOUR SAFETY (Read carefully)

Introduction of Symbol Messages

- These symbols warn you about the possible hazards and explain how to avoid them. And give you some advices.

⚠ DANGER

You will be killed or seriously hurt if you do not follow the instructions.

⚠ WARNING

You can be killed or seriously hurt if you do not follow the instructions.

⚠ CAUTION

You can be hurt if you do not follow the instructions.

NOTICEGives advice to prevent damage to the product.
Gives helpful information or instructions to be followed in using the product.

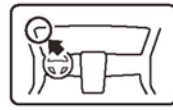
Indicates prohibited actions.

Introduction of Icons

- These icons indicate the working place and the worker's vision.



The place for the vehicle.



The place for the instrument panel.

- These icons indicate the necessary things for your safety and the work.



Wear eye protection.



Wear heavy gloves.



Work with an assistant.



Place the part on a blanket.



Remove any burrs.



Use the touch-up paint and dry.



Keep the parts and give it to the customer.
(Not use)



Press firmly.



Tighten by specified torque.



Work perpendicularly.



Clean with the contact cleaner.

Safety: General

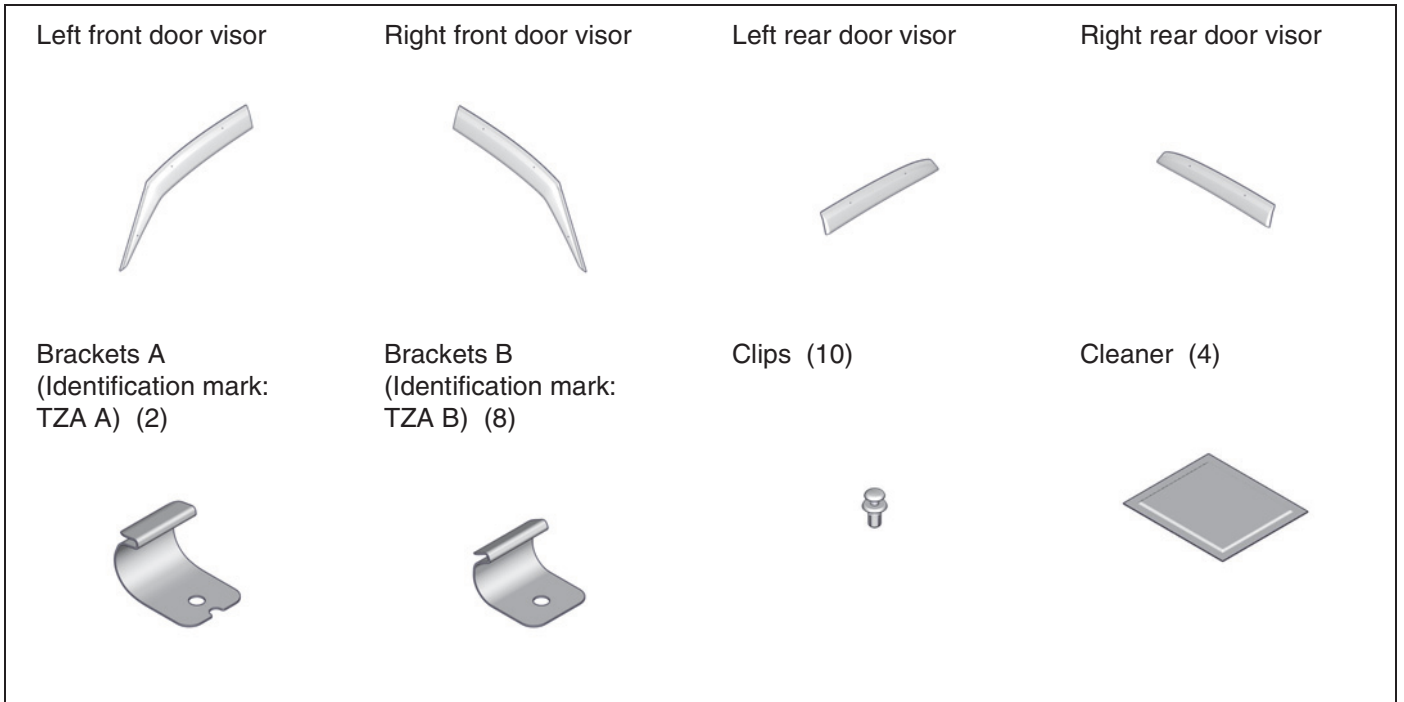
- Observe all safety notes and precautions described in the Shop Manual in addition to those described in this Installation Instructions. Be extremely careful for your safety and safety of others particularly.
- Be careful not to damage the vehicle and the parts.
- Note the locations of the parts before removing them so that they can be reinstalled in their original positions properly.
- The illustrations may differ a little from the actual accessories for the design change of the vehicle.

Safety: For the Accessory

- **Do not shock or impact the accessories.**
- **Be careful that this accessory is easy to be invaded by the solvent or contact cleaner.**
- **Always use the parts and tools specified in the installation instructions.**
- **Do not perform installation work and attaching work at the place where gets the direct rays of the sun or the dust appears.**
- **Always install these accessories at the ambient air temperature 15°C (60°F) or above.**
- **Heat the accessories and bonding surfaces if the ambient air temperature is below 15°C (60°F).**
- **Attach the accessories by pressing it firmly with the palm of your hand. Be careful not to damage the accessories and the vehicle parts.**
- **Carefully place the double-sided adhesive tape on the proper position. Once the double-sided adhesive tape touches the surface, do not try to detach and relocate it. If you attempt to move after it touches the surface, you will damage the part before the adhesive will give way.**
- **Not to wash the vehicle for 24 hours to allow the adhesive to cure.**

PARTS LIST

Door Visors Kit



TOOLS AND SUPPLIES REQUIRED

- Masking tape
- Ruler

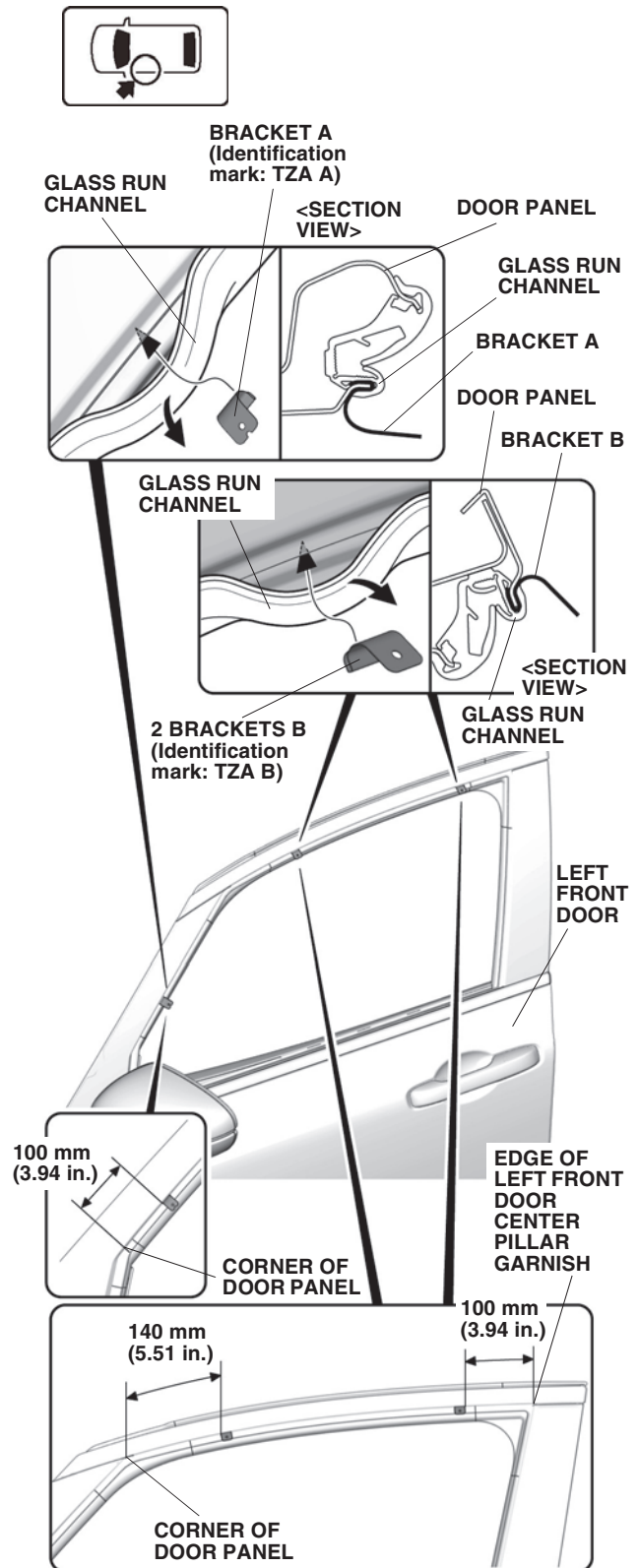
INSTALLATION

Installing the Front Door Visors

1. Fully open the left front door glass.
2. Install the brackets A and B.

NOTICE

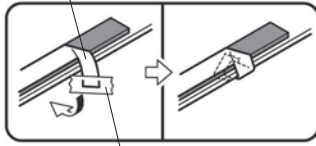
- Check the identification mark (label) and the installation position of the bracket.
- Make sure to correctly install the glass run channel.



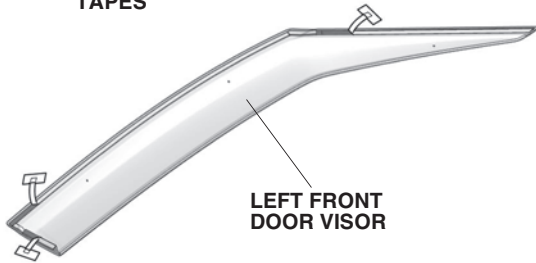
QJ00601BT

3. Temporarily attach the adhesive backings.

3 ADHESIVE BACKINGS



**MASKING
TAPES**



**LEFT FRONT
DOOR VISOR**

QJ42403CJ

4. Clean the attaching area.

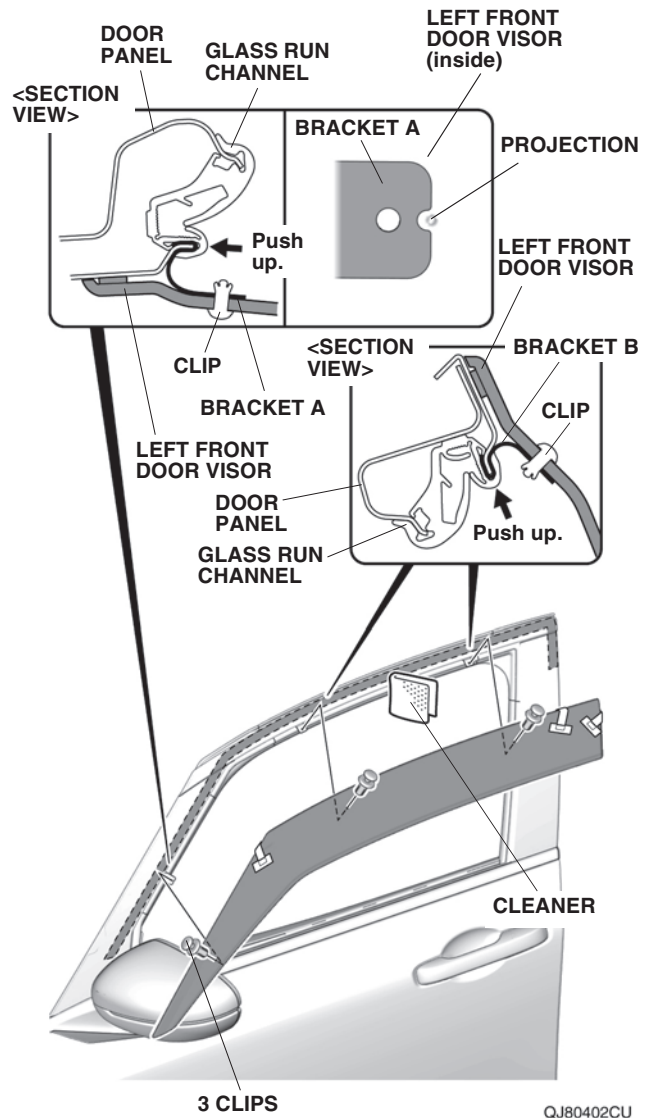
NOTICE

- Allow to dry thoroughly.

5. Install the left front door visor.

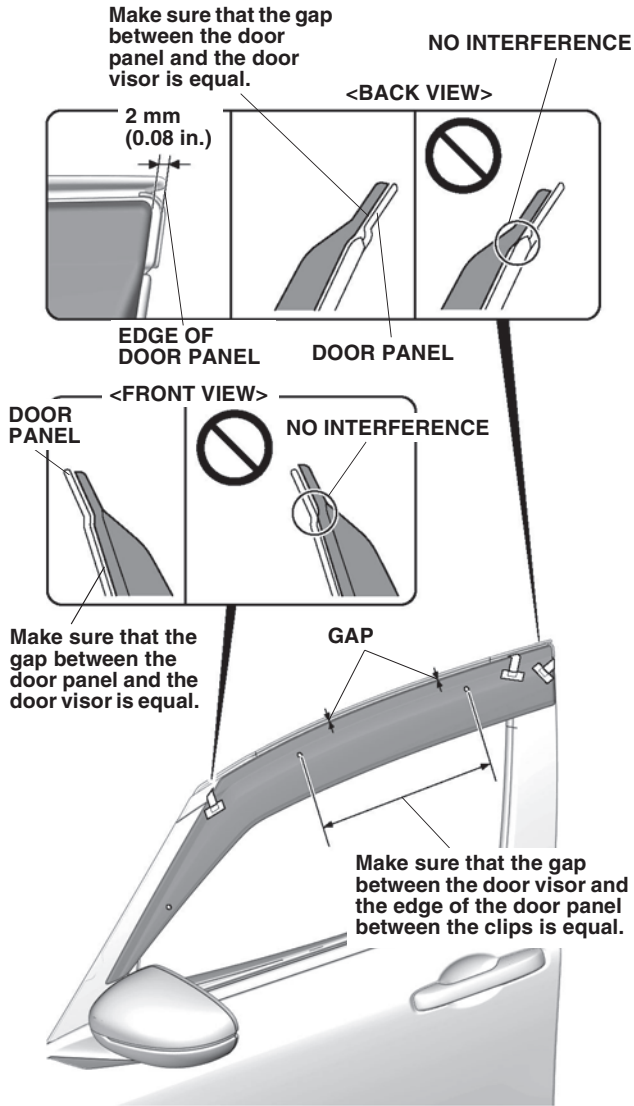
NOTICE

- Be extremely careful when installing the clip. Clip can not be removed and reinstalled after installation.



QJ80402CU

6. Adjust the left front door visor.

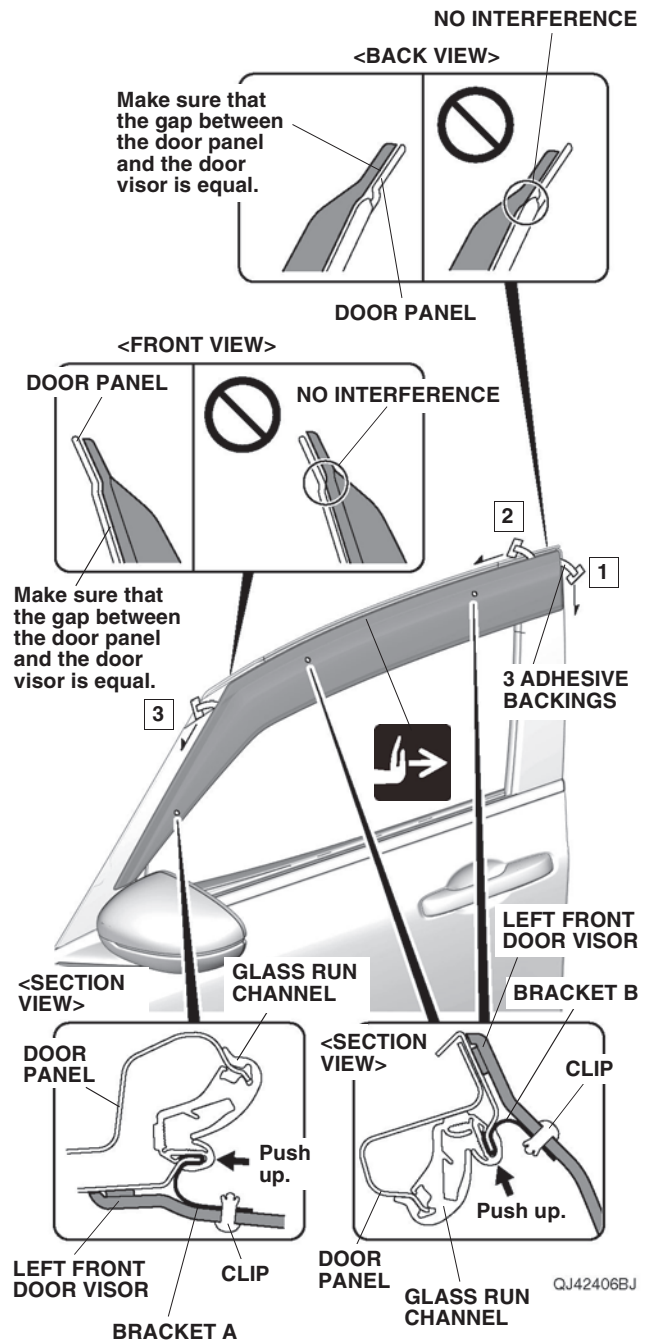


QJ42405CJ

7. Secure the left front door visor.

NOTICE

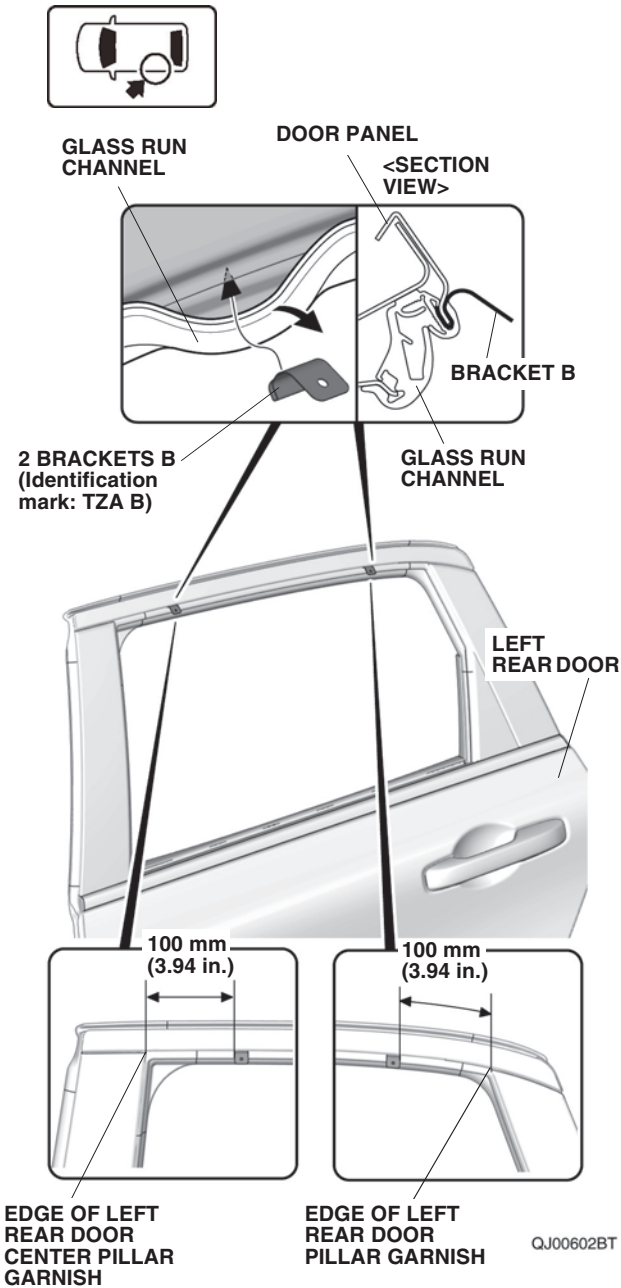
- Make sure that the door visor is installed in the correct position.



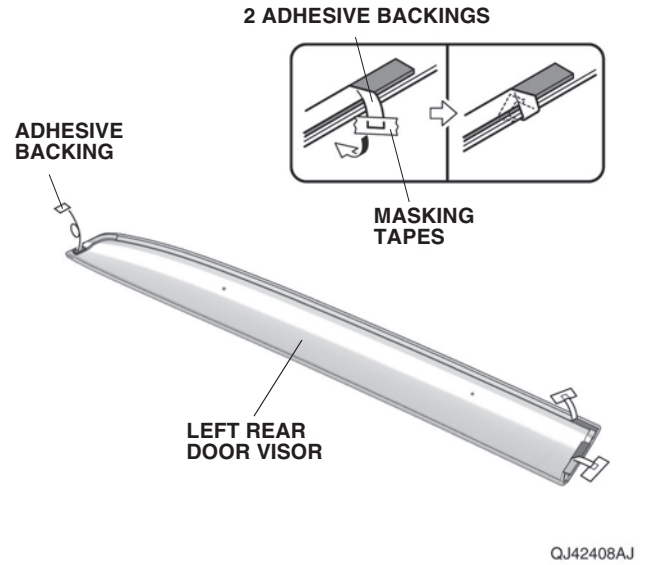
Installing the Rear Door Visors

- Fully open the left rear door glass.
- Install the brackets B.

NOTICE
<ul style="list-style-type: none"> Check the identification mark (label) and the installation position of the bracket. Make sure to correctly install the glass run channel.



- Temporarily attach the adhesive backings.
- Remove the adhesive backing.

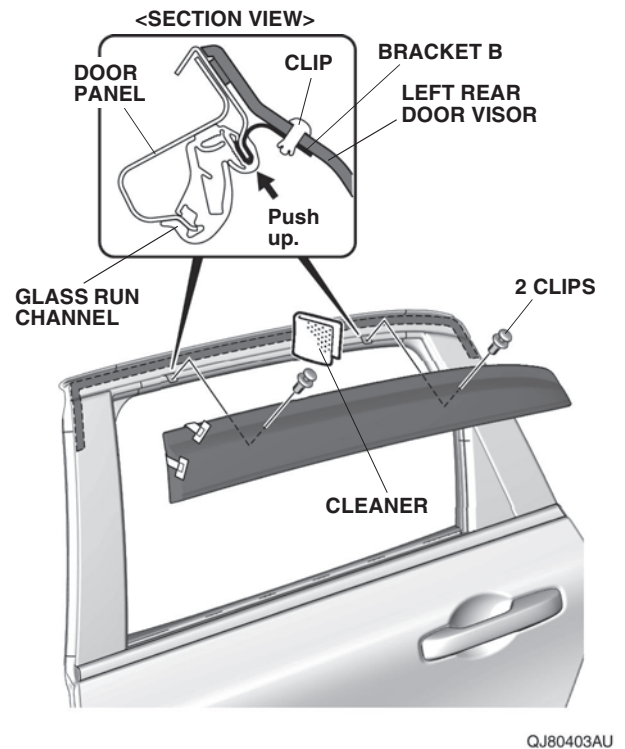


- Clean the attaching area.

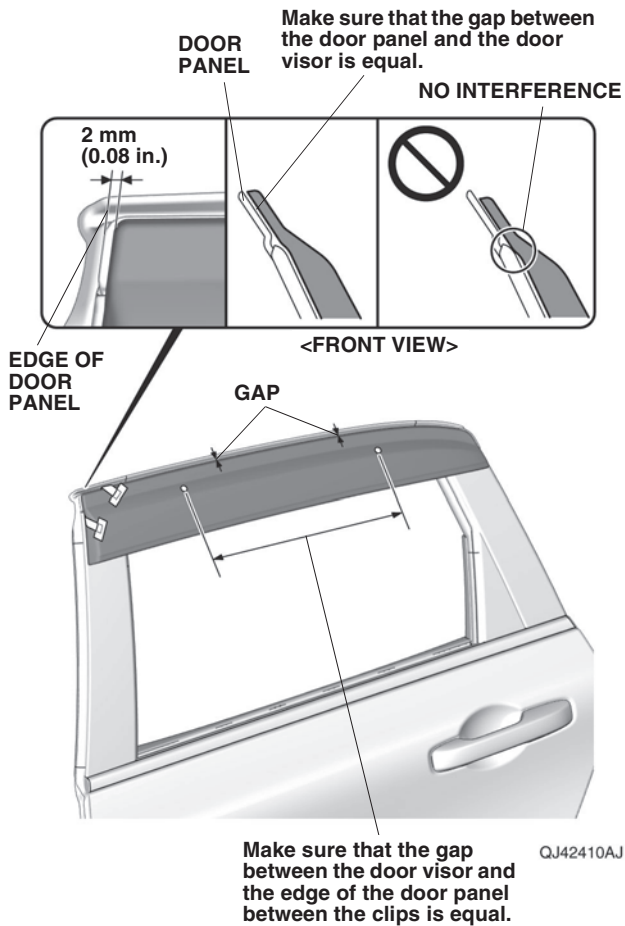
NOTICE
<ul style="list-style-type: none"> Allow to dry thoroughly.

- Install the left rear door visor.

NOTICE
<ul style="list-style-type: none"> Be extremely careful when installing the clip. Clip can not be removed and reinstalled after installation.



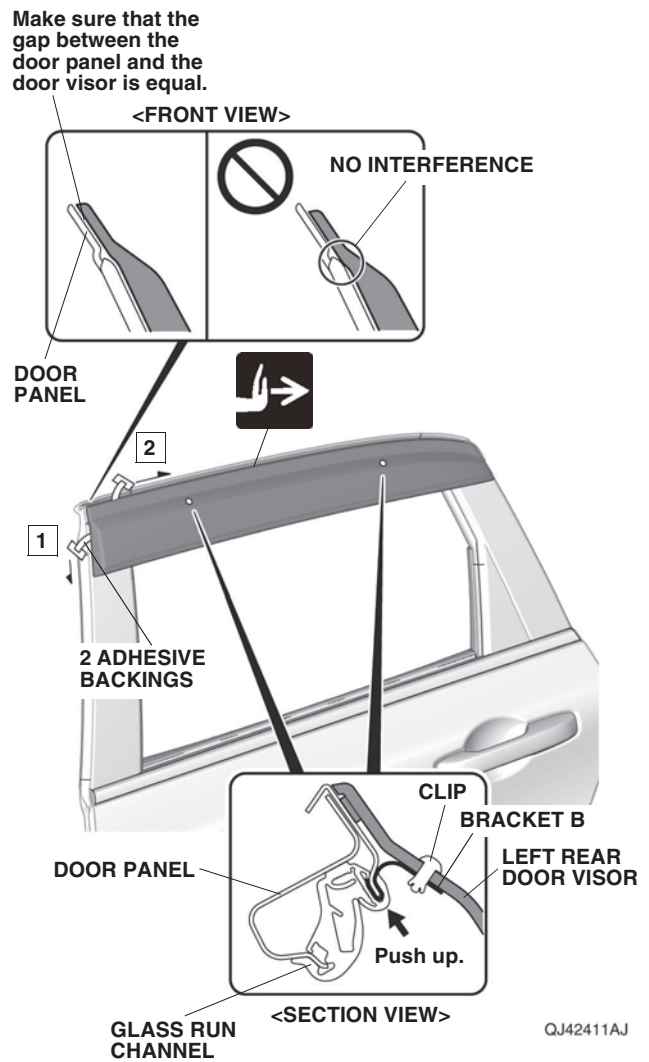
14. Adjust the left rear door visor.



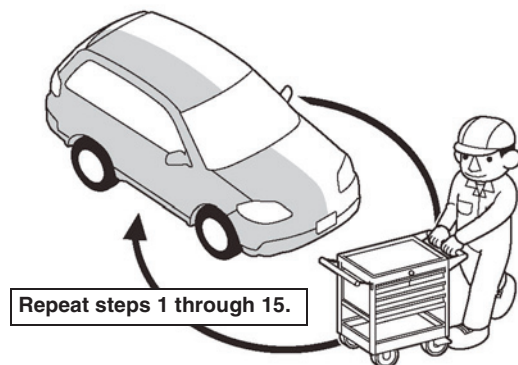
15. Secure the left rear door visor.

NOTICE

- Make sure that the door visor is installed in the correct position.

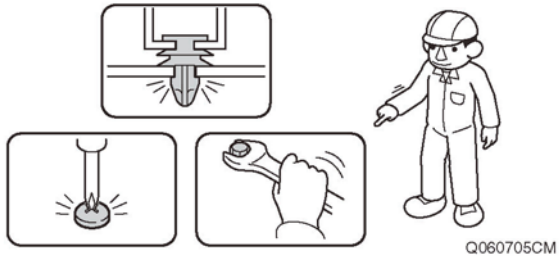


16. Repeat same procedures for the other side.



Check After Installation

17. Check that all parts are installed properly.



Vehicle Check

<Check/Restoration and Learning Operations>

NOTICE

- | |
|--|
| <ul style="list-style-type: none">• Work referring to the Shop Manual. |
|--|

18. Perform the registration and the learning.