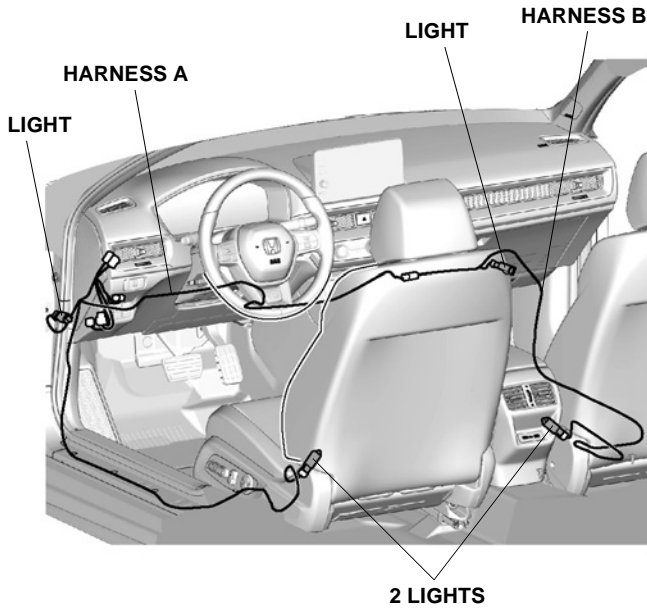


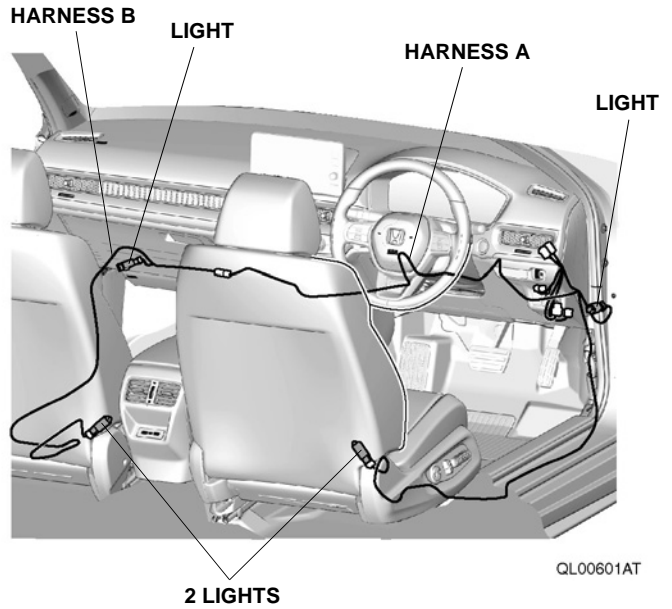
FOOT LIGHTS & SEAT UNDER LIGHTS	<i>CIVIC</i>
---------------------------------	--------------

GENERAL VIEW

<LHD models>



<RHD models>



FOR YOUR SAFETY (Read carefully)

Introduction of Symbol Messages

- These symbols warn you about the possible hazards and explain how to avoid them. And give you some advices.

⚠ DANGER

You will be killed or seriously hurt if you do not follow the instructions.

⚠ WARNING

You can be killed or seriously hurt if you do not follow the instructions.

⚠ CAUTION

You can be hurt if you do not follow the instructions.

NOTICE

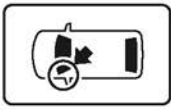
Gives advice to prevent damage to the product.
Gives helpful information or instructions to be followed in using the product.



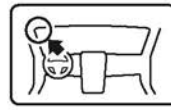
Indicates prohibited actions.

Introduction of Icons

- These icons indicate the working place and the worker's vision.



The place for the vehicle.



The place for the instrument panel.

- These icons indicate the necessary things for your safety and the work.



Wear eye protection.



Wear heavy gloves.



Work with an assistant.



Place the part on a blanket.



Remove any burrs.



Use the touch-up paint and dry.



Keep the parts and give it to the customer.
(Not use)



Press firmly.



Tighten by specified torque.

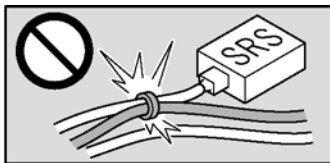


Work perpendicularly.

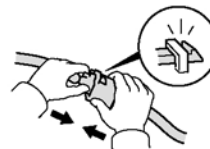


Clean with the contact cleaner.

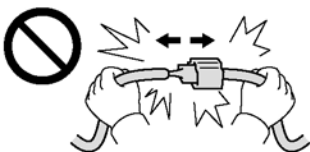
Wire Harness Routing Precaution



Do not clamp the accessory harness and SRS harness together. (except for instruction cases).



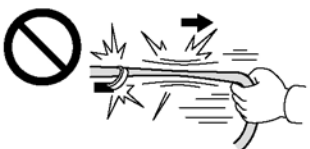
Connect the connectors and terminals securely until they lock.



Do not pull the harness to disconnect the connectors.



Reinstall the connectors to the original positions if they are removed.



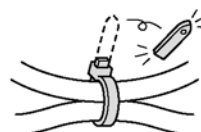
Do not pull the harness strongly.



Secure the accessory harness to the specified position, not to hang down.



Do not pinch the harness with the parts.



Cut off the excess of the wire ties.

Safety: General

- Observe all safety notes and precautions described in the Shop Manual in addition to those described in this Installation Instructions. Be extremely careful for your safety and safety of others particularly.
- Be careful not to damage the vehicle and the parts.
- Be extremely careful to the handling of the retaining tabs and clips particularly.
- Note the locations of the parts before removing them so that they can be reinstalled in their original positions properly.
- The illustrations may differ a little from the actual accessories for the design change of the vehicle.

Safety: For Electric Parts

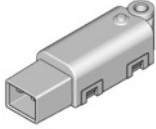
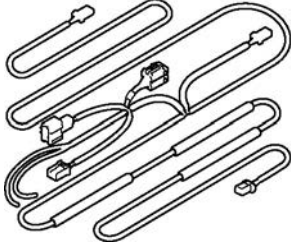
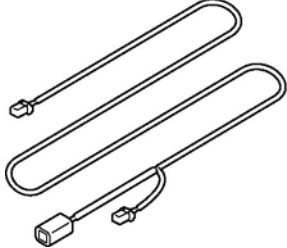







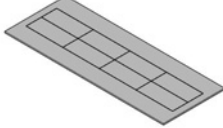
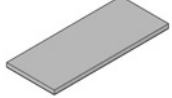
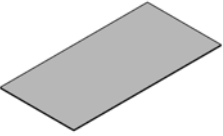



- Do not perform the installation of the accessories with having connected negative cable of the battery.

Safety: For the Accessory

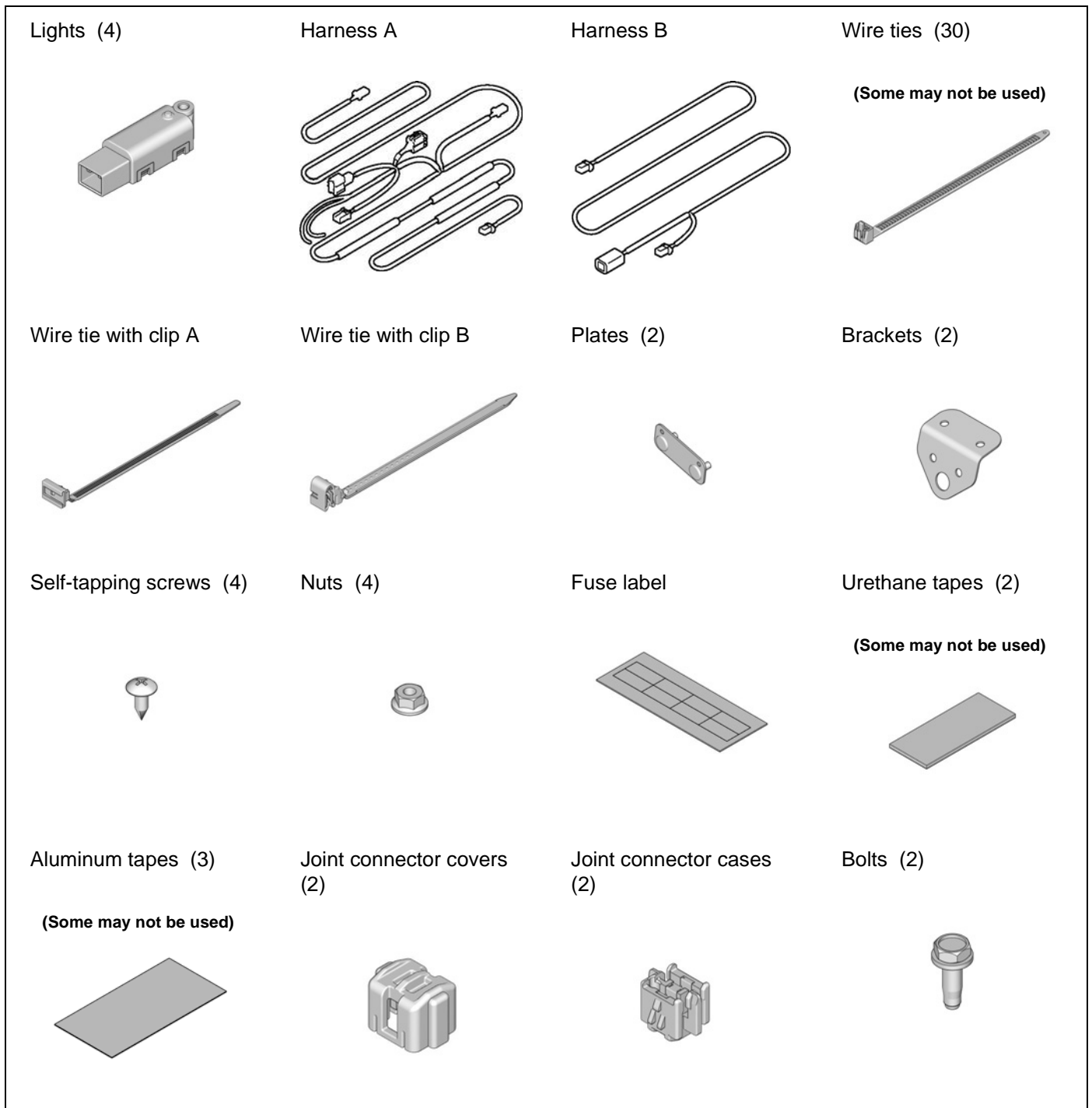
- **Always use the parts and tools specified in the installation instructions.**
- **Do not perform installation work and attaching work at the place where gets the direct rays of the sun or the dust appears.**
- **Always install these accessories at the ambient air temperature 15°C (60°F) or above.**
- **Heat the accessories and bonding surfaces if the ambient air temperature is below 15°C (60°F).**
- **Attach the accessories by pressing it firmly with the palm of your hand. Be careful not to damage the accessories and the vehicle parts.**
- **Carefully place the double-sided adhesive tape on the proper position. Once the double-sided adhesive tape touches the surface, do not try to detach and relocate it. If you attempt to move after it touches the surface, you will damage the part before the adhesive will give way.**

PARTS LIST

Foot Light and Seat Under Light Kit (White Light)

<p>Lights (4)</p> 	<p>Harness A</p> 	<p>Harness B</p> 	<p>Wire ties (29)</p> <p>(Some may not be used)</p> 
<p>Wire tie with clip A</p> 	<p>Wire tie with clip B</p> 	<p>Plates (2)</p> 	<p>Brackets (2)</p> 
<p>Self-tapping screws (4)</p> 	<p>Nuts (4)</p> 	<p>Fuse label</p> 	<p>Urethane tape</p> 
<p>Aluminum tapes (3)</p> <p>(Some may not be used)</p> 	<p>Joint connector covers (2)</p> 	<p>Joint connector cases (2)</p> 	<p>Bolts (2)</p> 

Foot Light and Seat Under Light Kit (Red Light)



TOOLS AND SUPPLIES REQUIRED

- 10 mm Open end wrench
- Ratchet
- Tape
- Pliers
- Ruler
- Handy remover
- TORX bit
- Eye protection (face shield, safety goggles, etc.)
- Phillips screwdriver
- 10 mm Socket
- Shop towel
- Steel wire
- Pushpin
- Electrical tape
- 3 mm and 5 mm Drill bits
- Nippers
- File
- Contact cleaner
- Scissors
- Drill
- Torque wrench
- TORX Plus bit

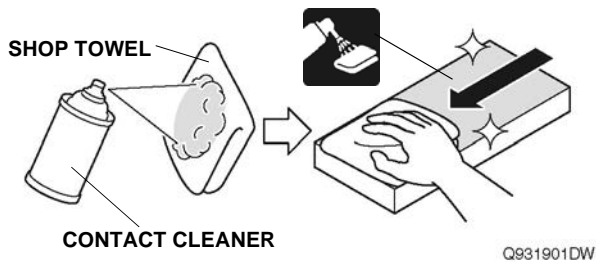
INSTALLATION

How to Use the Contact Cleaner

- Using contact cleaner on a shop towel, thoroughly clean the areas where the accessories will be attached.

NOTICE

- Always use the contact cleaner.
- Do not apply the cleaner to the object of the work directly.
- Allow to dry completely the cleaned areas before attachment work.



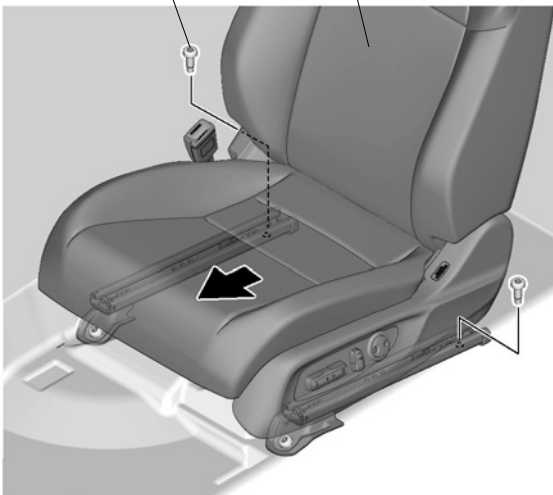
Before Installing

1. Remove the bolts.

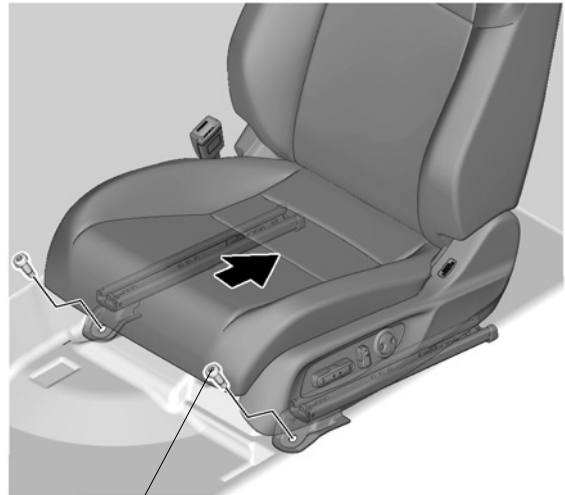


2 BOLTS

LEFT FRONT SEAT

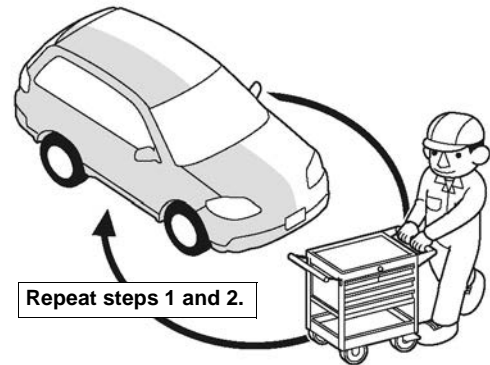


2. Remove the bolts.



2 BOLTS

3. Repeat the same procedures on the other side.

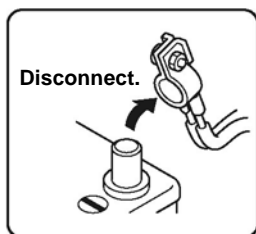
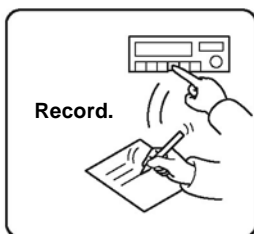
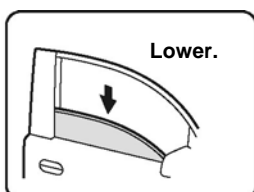


Disconnecting the Battery Cable

4. Perform the works before disconnecting the negative cable from the battery as shown below.
5. Make sure if you have the anti-theft code for the audio/navigation system. Record some settings of the vehicle if necessary.
6. Disconnect the negative cable from the battery.

NOTICE

- For Hybrid vehicle, make sure not to disconnect the negative cable from the battery three minutes after turning the power switch to OFF.



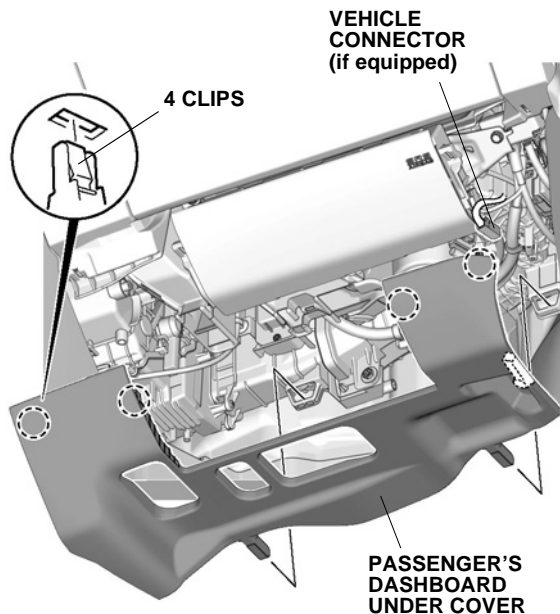
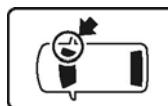
QCD0502BM

7. Follow the below guidance.

- | | |
|--------------|------------|
| • LHD models | To step 8 |
| • RHD models | To step 88 |

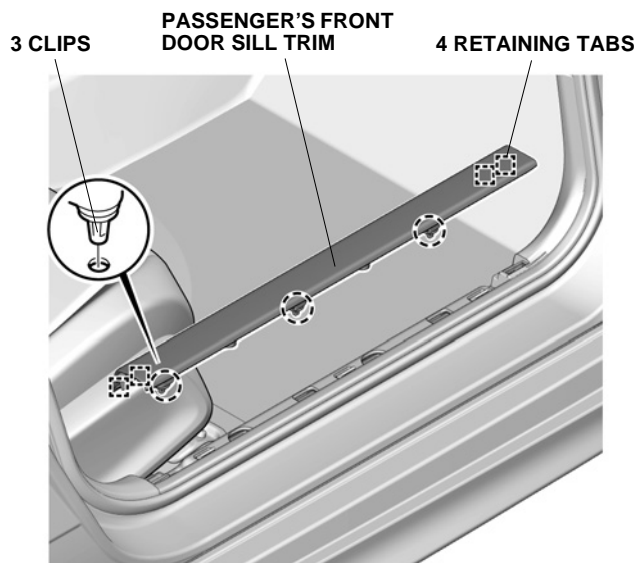
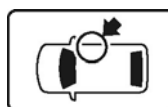
Removing the Vehicle Parts (LHD)

8. Remove the passenger's dashboard under cover.



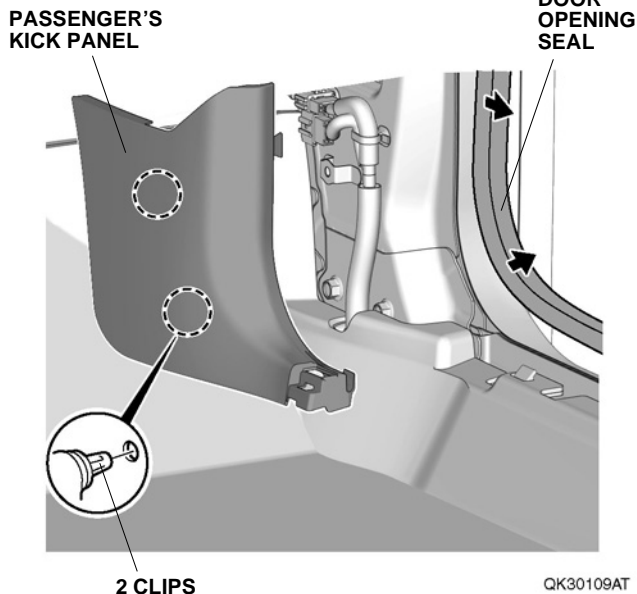
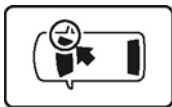
QL00508AT

9. Remove the passenger's front door sill trim.

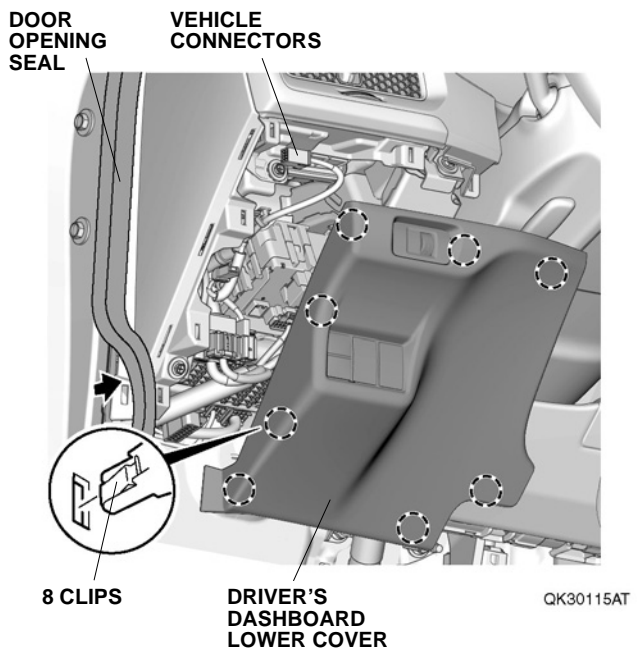
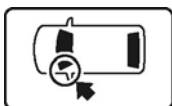


QK70460AH

10. Remove the passenger's kick panel.



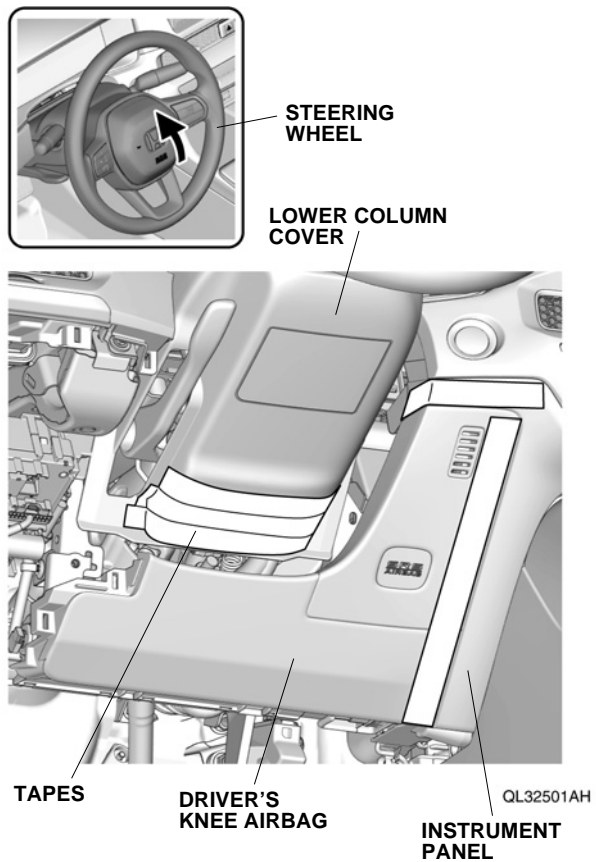
11. Remove the driver's dashboard lower cover.



- 12. Fix the tilt lever of the column in the top position.
- 13. Attach the tapes to protect the vehicle.

NOTICE

- Do not remove the tapes until after the reinstallation.



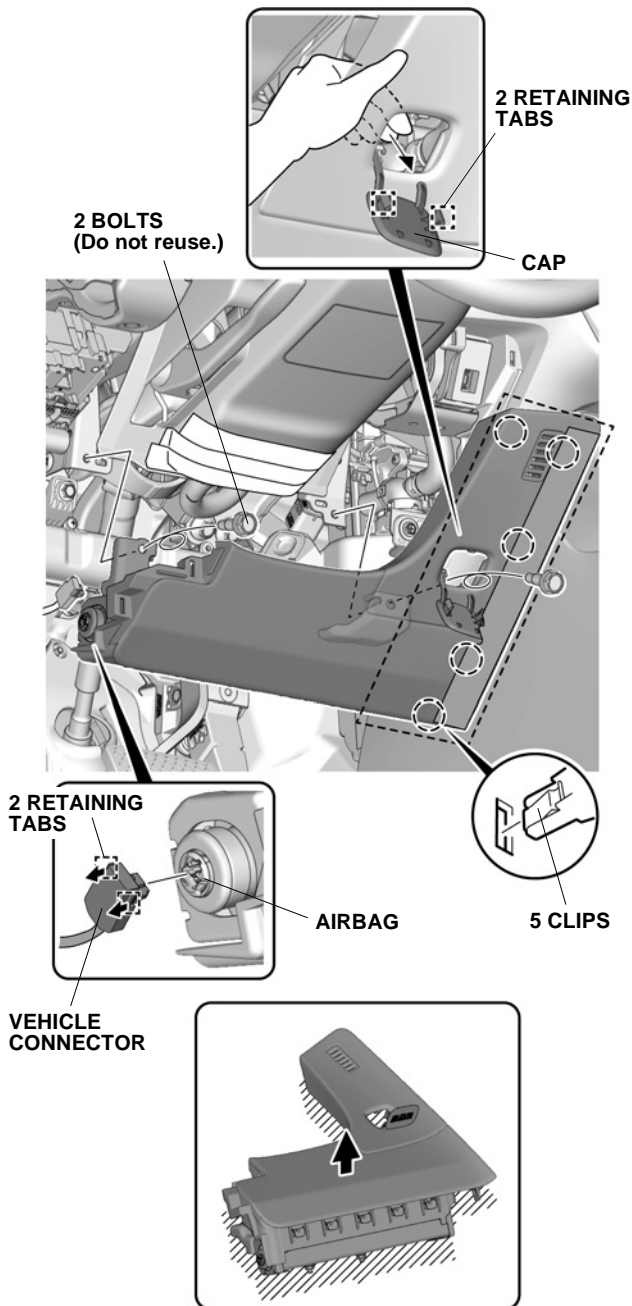
14. Remove the driver's knee airbag.

CAUTION

- Work after leaving more than three minutes after disconnecting the negative cable from the battery.
- Do not drop the removed knee airbag or hit it on an object.
- Place the removed knee airbag on a safe place with the pad surface (top) facing upward.

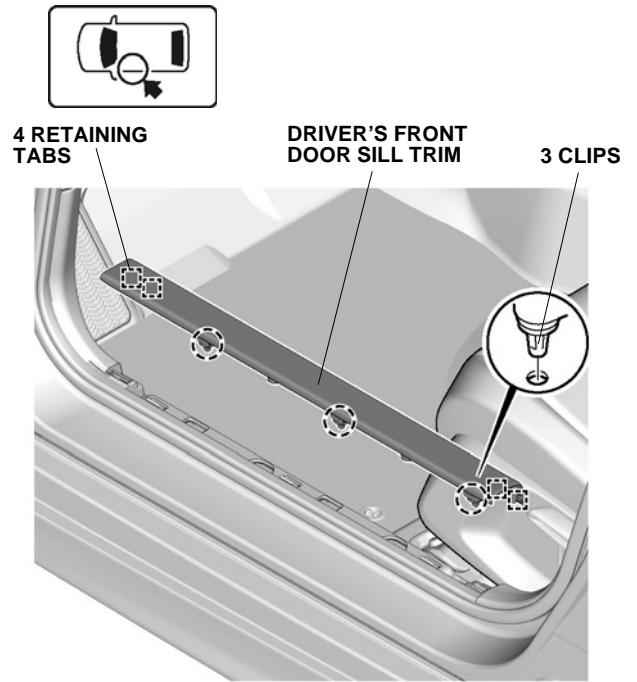
NOTICE

- Release the clip of the dotted line part in order from the top.



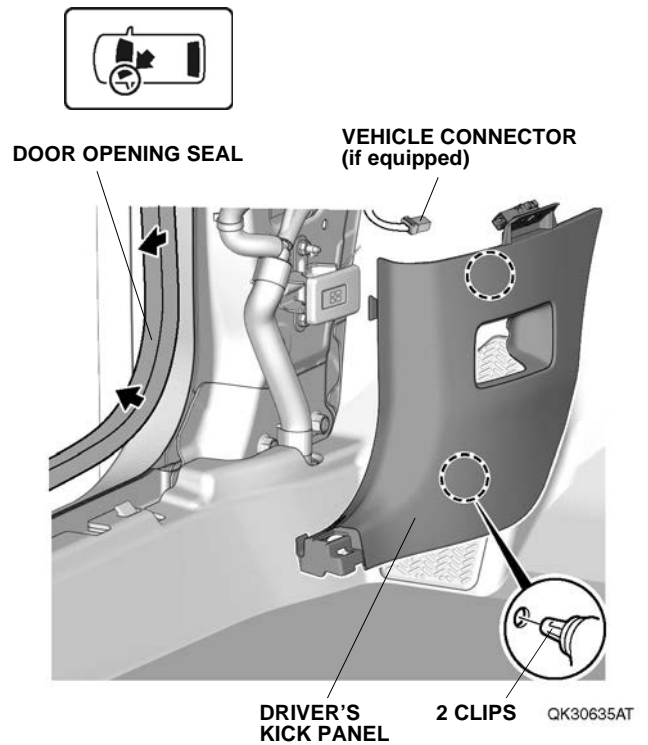
QK30117BT

15. Remove the driver's front door sill trim.



QL00650AT

16. Remove the driver's kick panel.



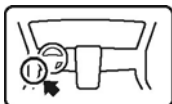
QK30635AT

Routing the Harness A and B (LHD)

17. Follow the below guidance.

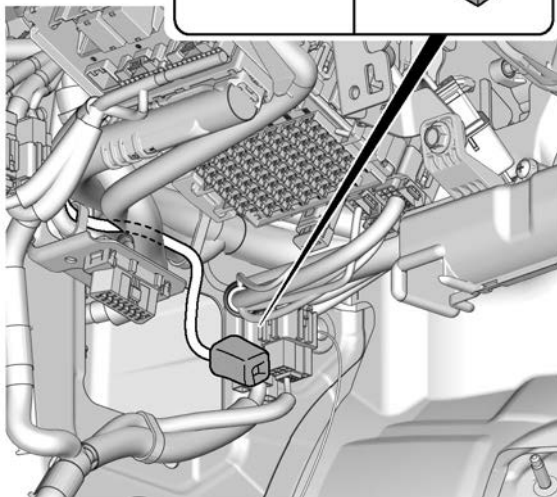
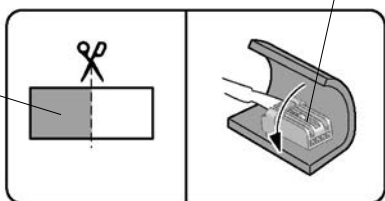
• With vehicle foot light	To step 18
• Without vehicle foot light	To step 20

18. Attach the urethane tape.



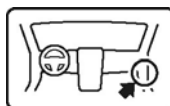
VEHICLE 4-PIN CONNECTOR

URETHANE TAPE
(Cut in half.)



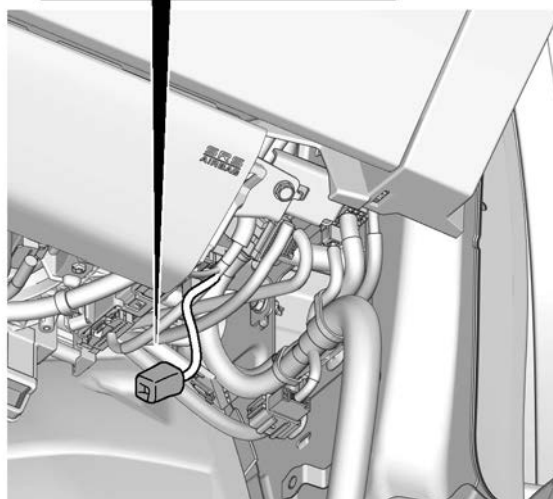
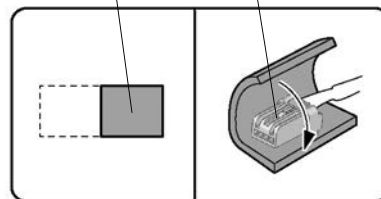
QL00603AT

19. Attach the urethane tape.



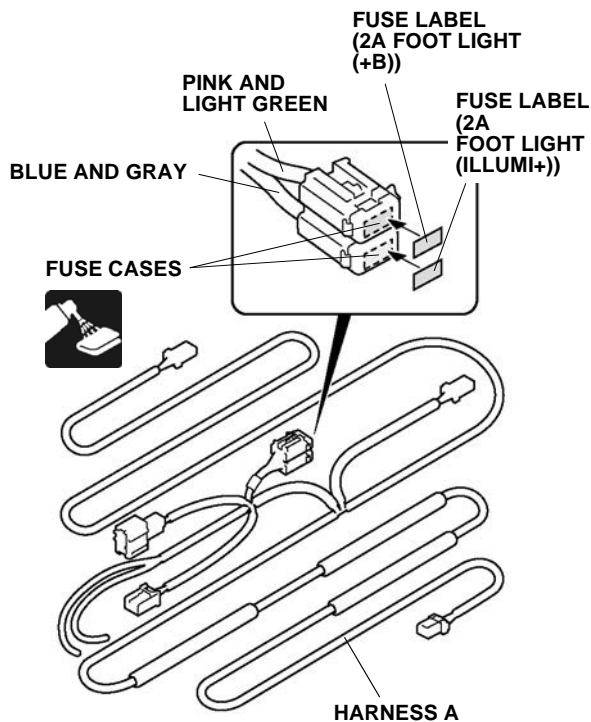
URETHANE TAPE
(cut in step 18)

VEHICLE 4-PIN CONNECTOR



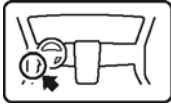
QL00604AT

20. Attach the fuse label.

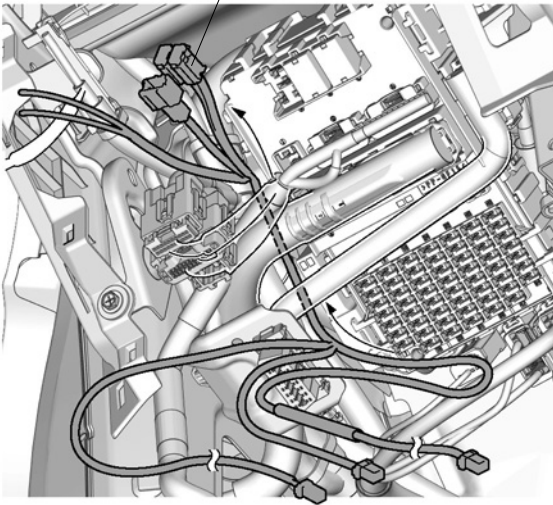


QL01001AT

21. Route the harness A.



FUSE CASES

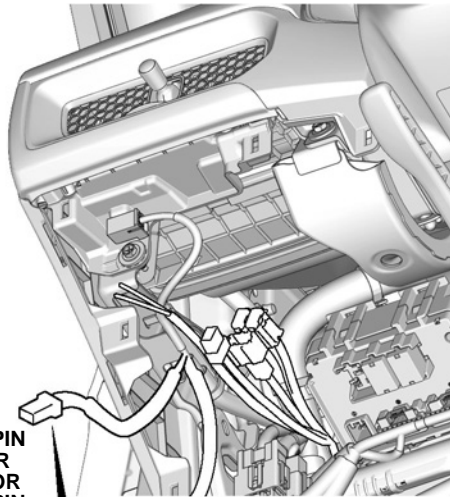


QL00605AT

- 22. Check the vehicle connector.
- 23. Cut out the tube.

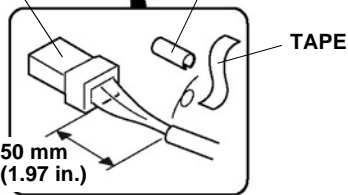
NOTICE

- Be careful not to damage the vehicle harness.



VEHICLE 4-PIN CONNECTOR (dark gray) OR VEHICLE 5-PIN CONNECTOR (green)

TUBE



50 mm (1.97 in.)

TAPE

QL00606AT

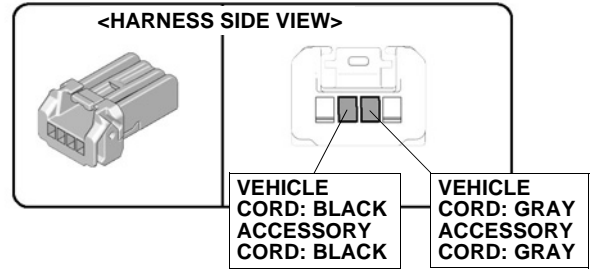
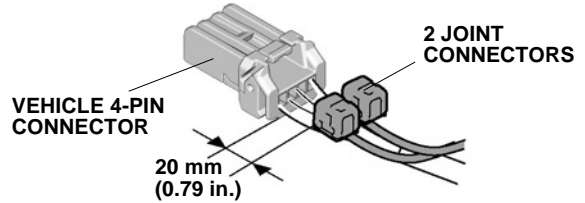
24. Follow the below guidance.

- Vehicle 4-pin connector To step 25
- Vehicle 5-pin connector To step 26

25. Connect the harness A cords.

NOTICE

- Make sure to correctly connect the cord.



How to Use the Joint Connector

<p>1 ACCESSORY CORD</p> <p>CASE</p>	<p>2</p>	<p>3 VEHICLE CORD</p>
<p>4 COVER</p> <p>FIRST LOCK POSITION</p>	<p>5</p> <p>SECOND LOCK POSITION</p>	

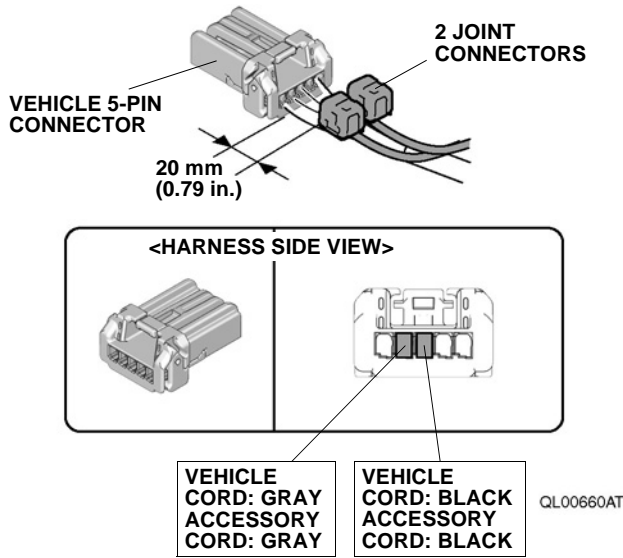
How to deal with the incorrectly secured joint connector.
Do not remove the secured joint connector once.

<p>1</p> <p>Make sure to secure in second lock position.</p> <p>Approx. 40 mm (Approx. 1.6 in.)</p> <p>ACCESSORY CORD</p>	<p>2</p> <p>ELECTRICAL TAPE (Insulate.)</p>
<p>3 Use the new joint connector to secure the accessory cord to the correct cord.</p>	

QL00607AT

To step 27

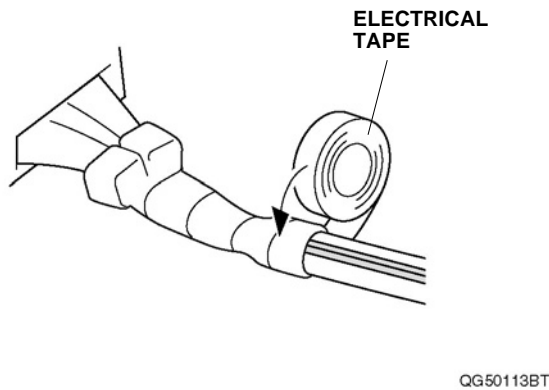
26. Connect the harness A cords.
(Refer to "How to Use the Joint Connector" in step 25.)



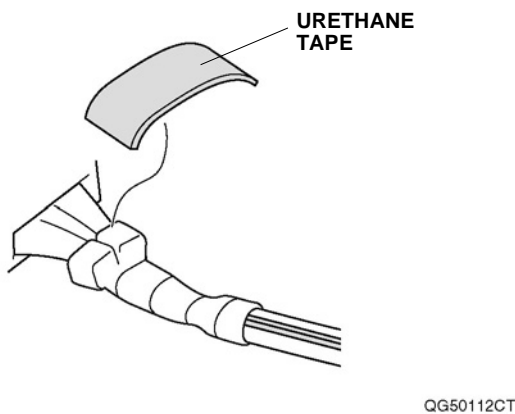
27. Secure the harness A cords.

NOTICE

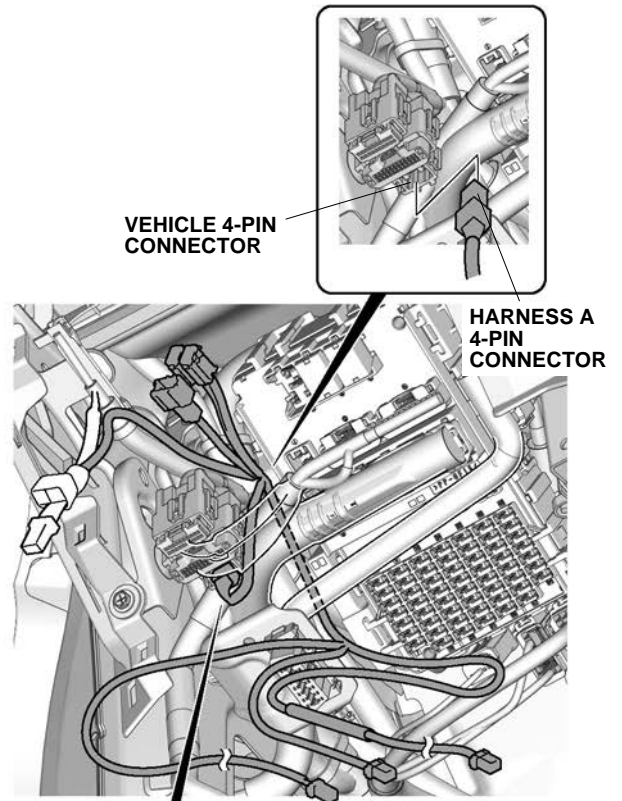
- Wrap the electrical tape around the tubes and tapes of the vehicle harness.



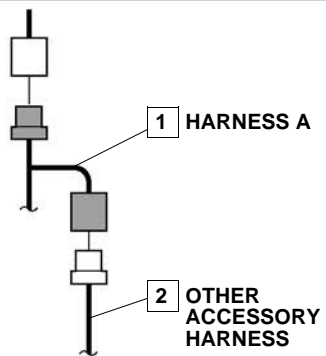
28. Wrap the urethane tape.



29. Connect the harness A connector.

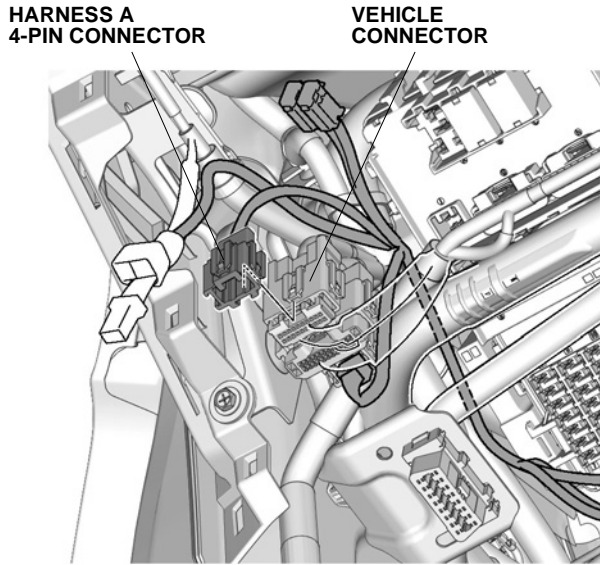


WITH OTHER ACCESSORY HARNESS
If the dummy connector is connected, disconnect it.



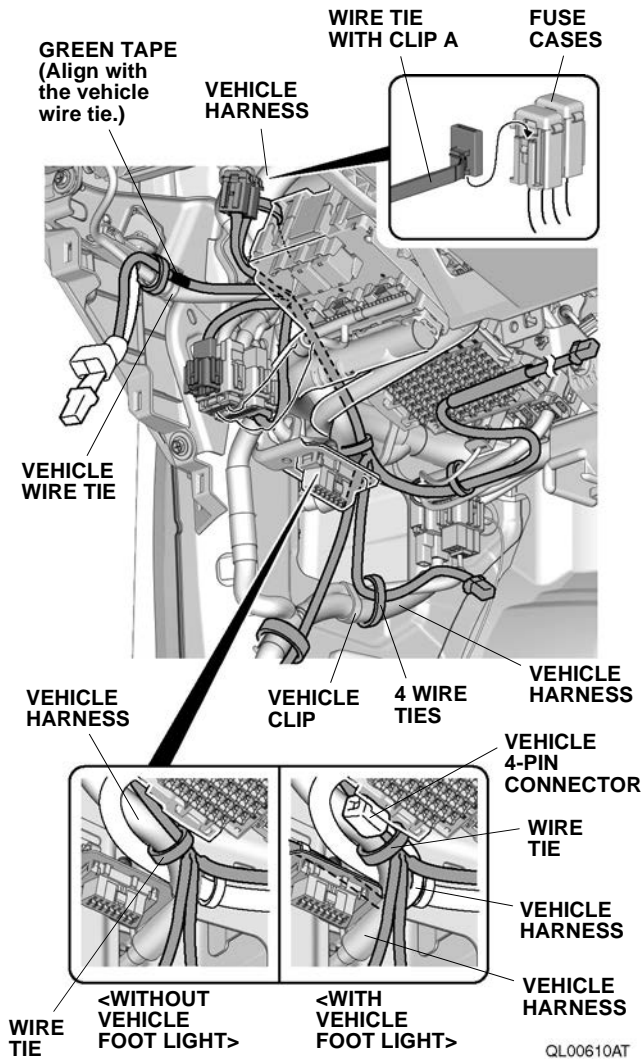
QL00608AT

30. Attach the harness connector.

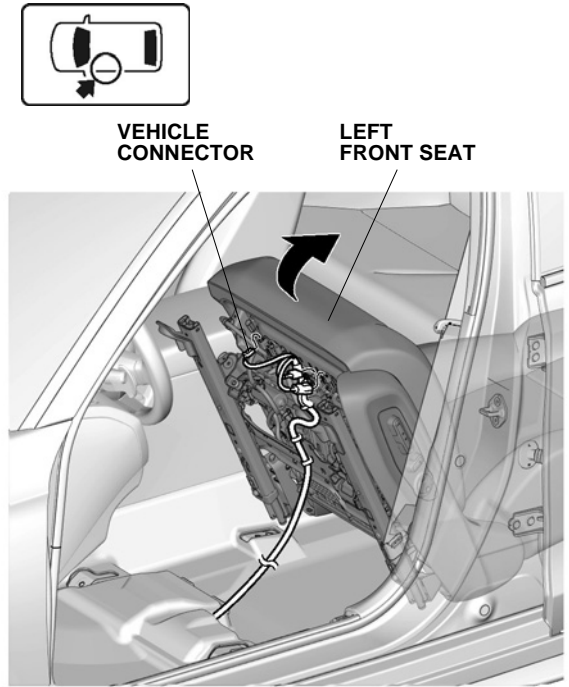


QL00609AT

31. Secure the harness A and the fuse cases.



32. Fold down the left front seat.



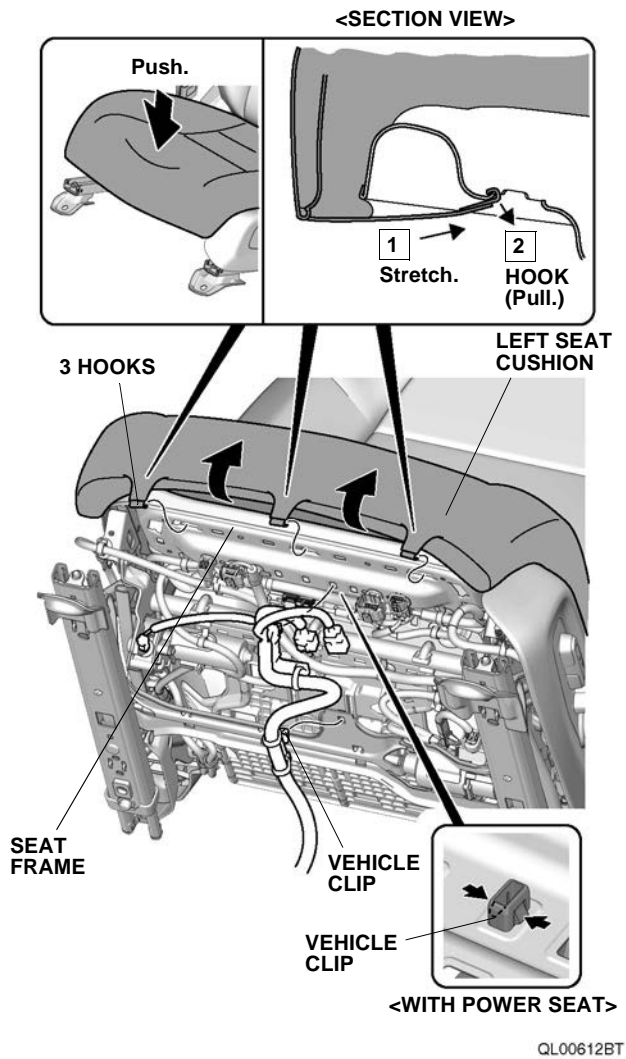
QL00611AT

33. Release the left seat cushion.

NOTICE

- Remove in the order shown.

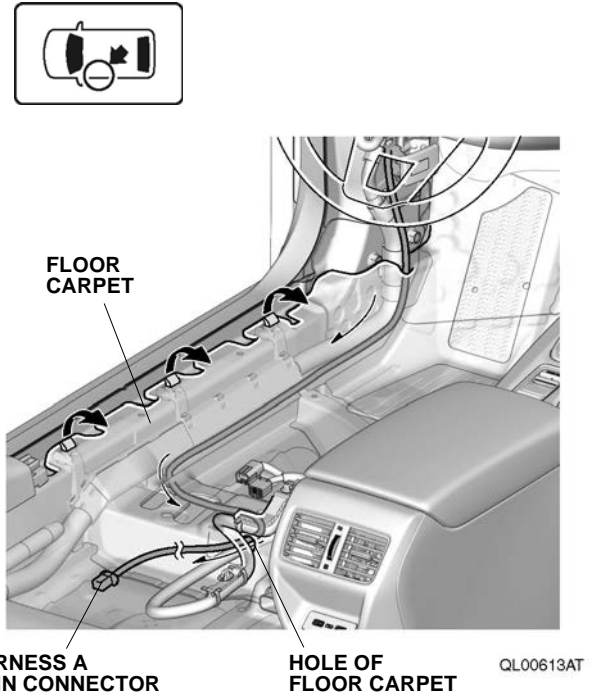
34. Remove the vehicle clip.



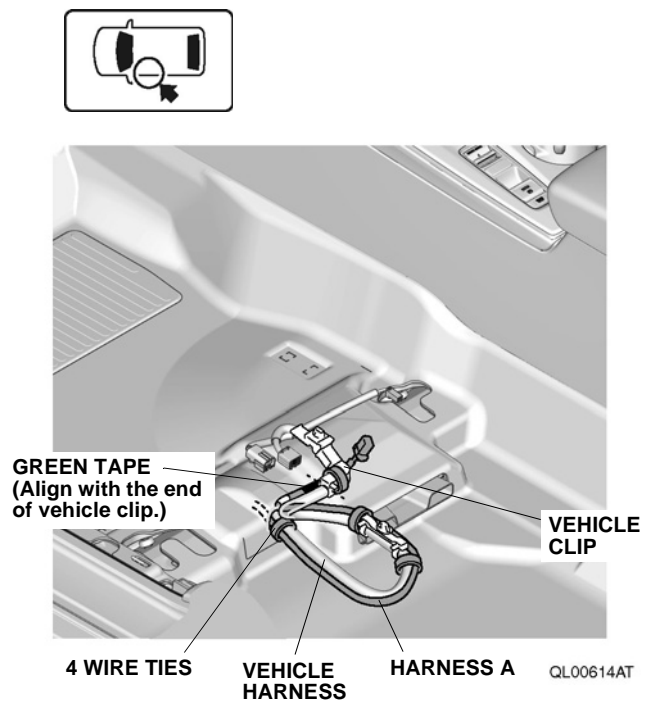
35. Follow the below guidance.

- With power seat To step 36
- Without power seat To step 39

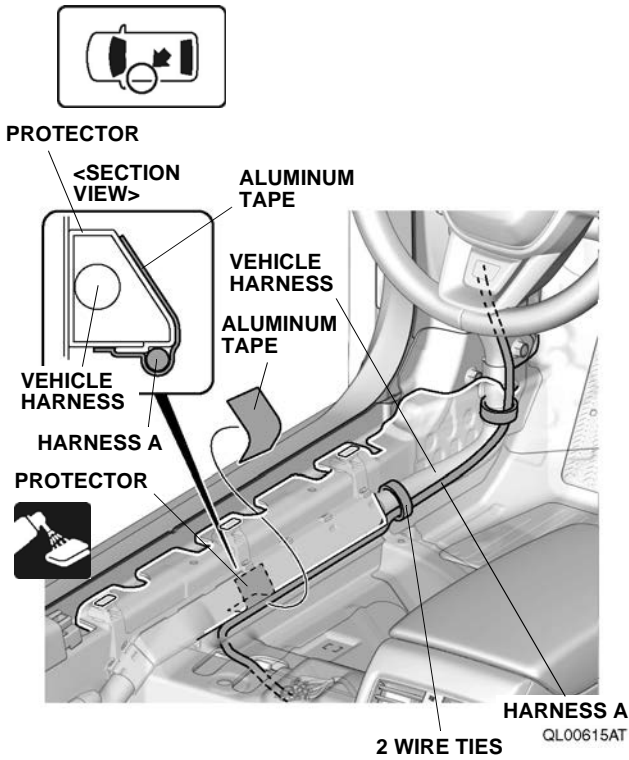
36. Route the harness A.



37. Secure the harness A.

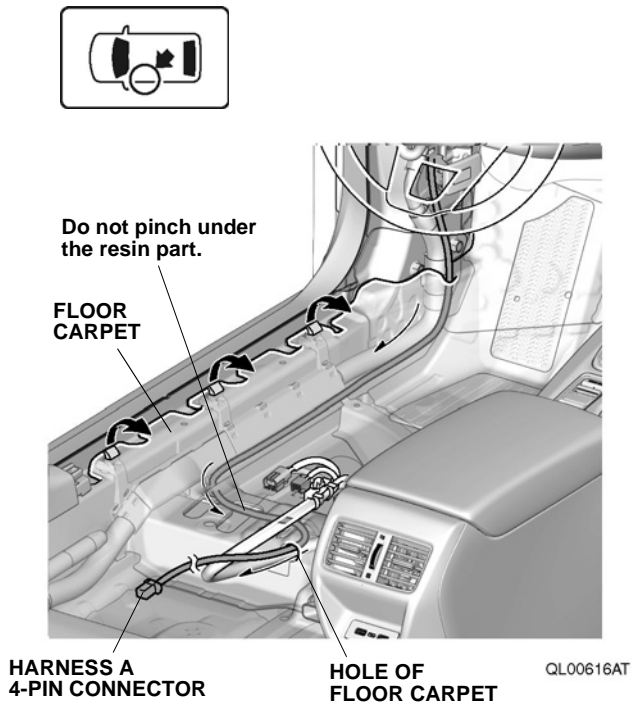


38. Secure the harness A.

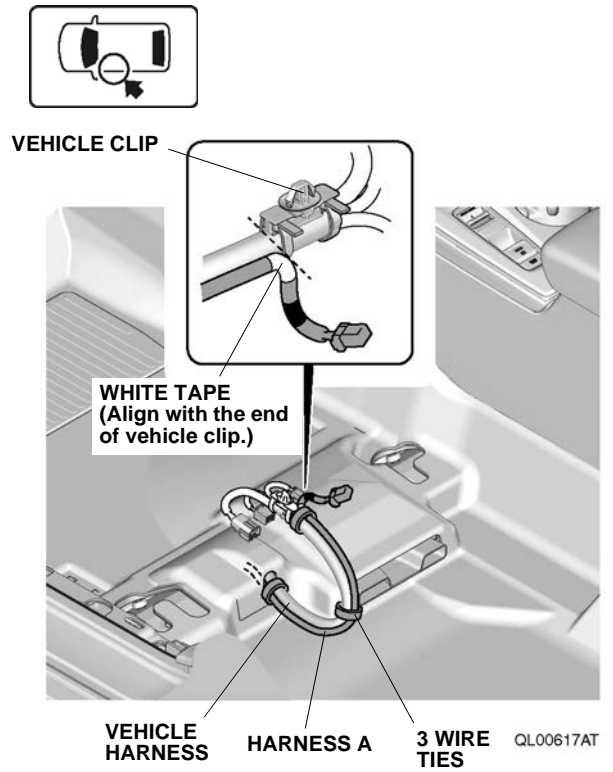


To step 42

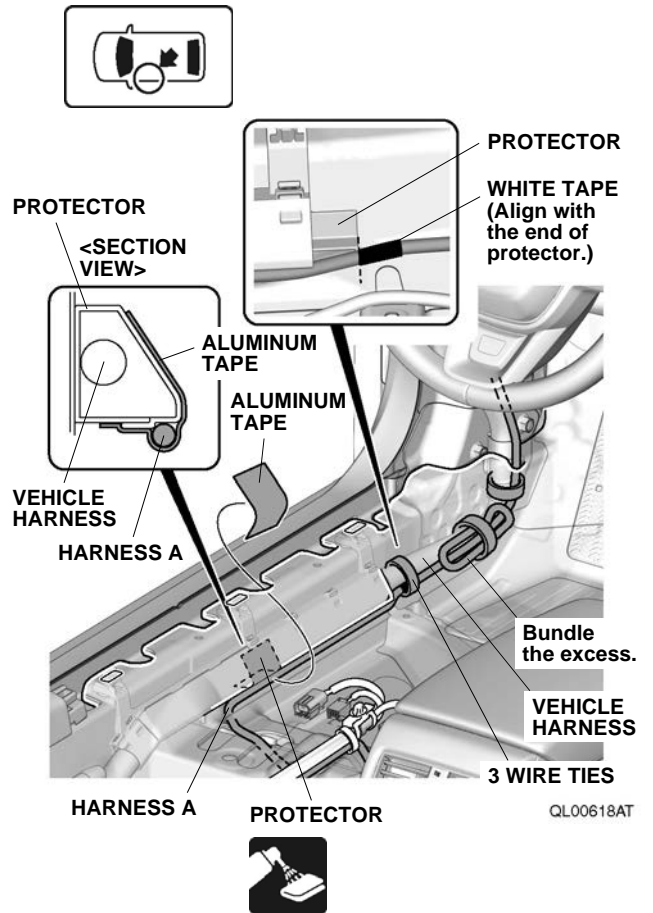
39. Route the harness A.



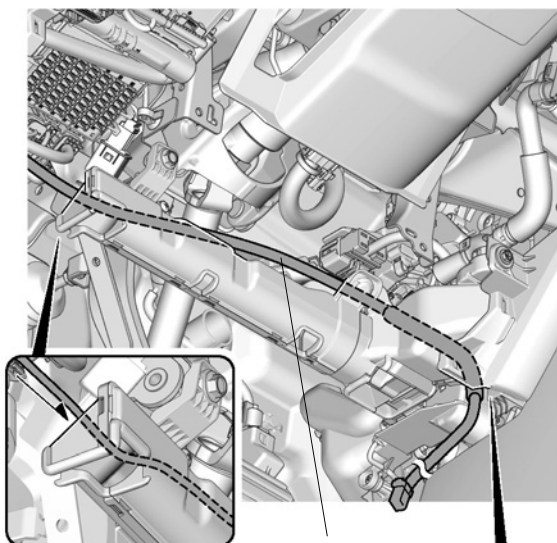
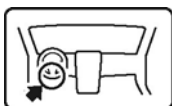
40. Secure the harness A.



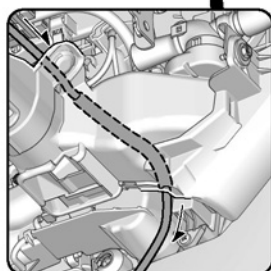
41. Secure the harness A.



42. Route the harness A.

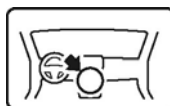


HARNESS A

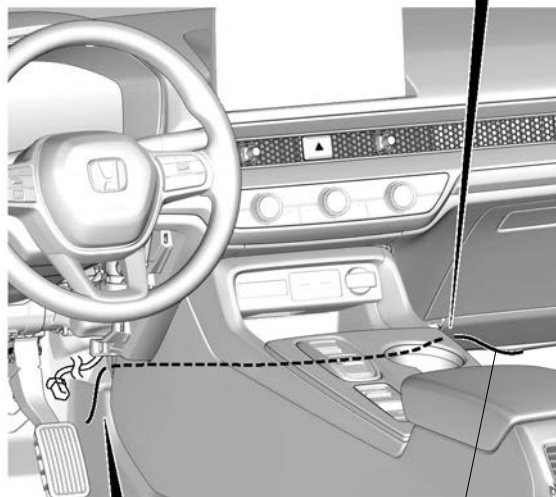
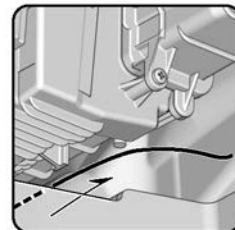


QL00619AT

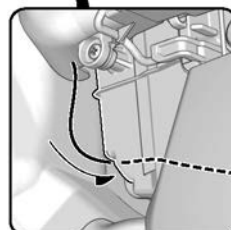
43. Route the steel wire.



<OPPOSITE SIDE VIEW>

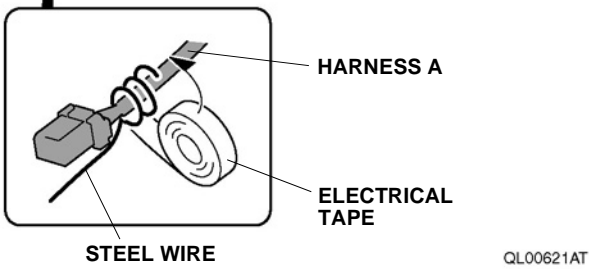
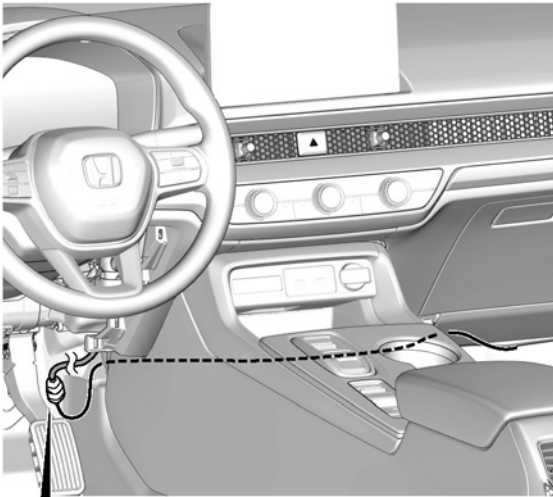


STEEL WIRE

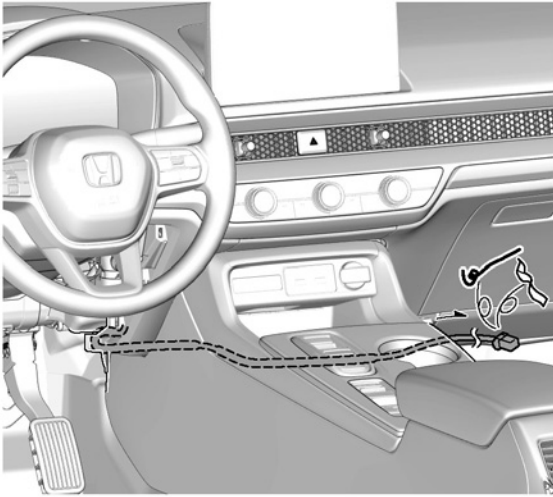


QL00620AT

44. Attach the steel wire.



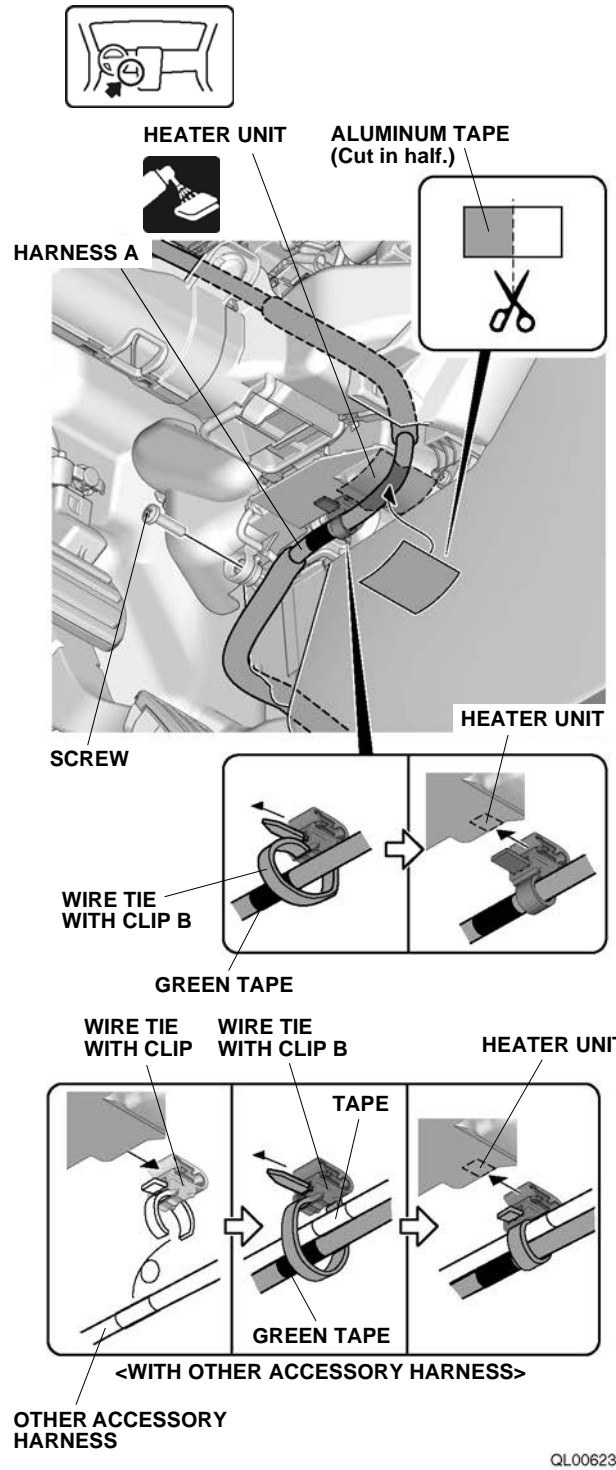
45. Route the harness A.
46. Remove the steel wire.



47. Remove the screw.
48. Secure the harness A.

NOTICE

- Make sure install the wire tie with clip in the correct orientation.
- Be careful not to damage the other accessory harness.

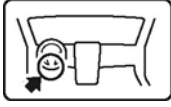


49. Reinstall the screw.

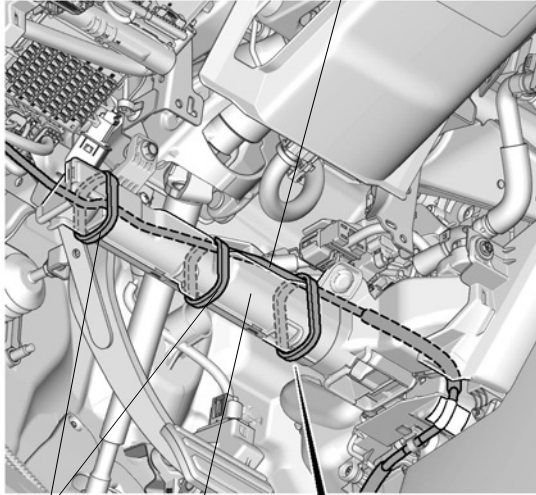
50. Secure the harness A.

NOTICE

- Do not cover the air-conditioner opening.



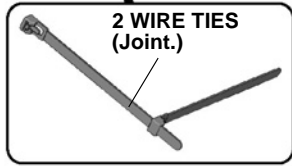
HARNESS A



2 WIRE TIES

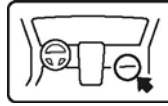
VEHICLE DUCT

2 WIRE TIES (Joint.)

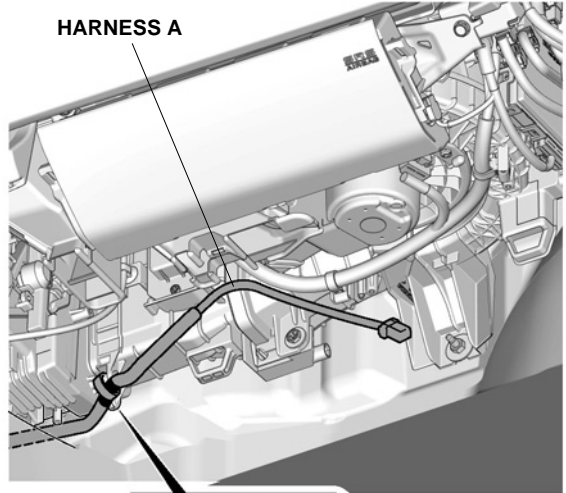


QL00624BT

51. Secure the harness A.



HARNESS A



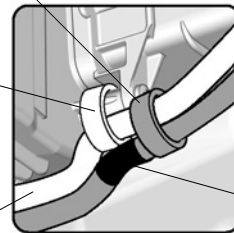
HEATER UNIT

WIRE TIE

WIRE TIE

GREEN TAPE (Align with the heater unit.)

OTHER ACCESSORY WIRE TIE



OTHER ACCESSORY HARNESS

<WITH OTHER ACCESSORY HARNESS>

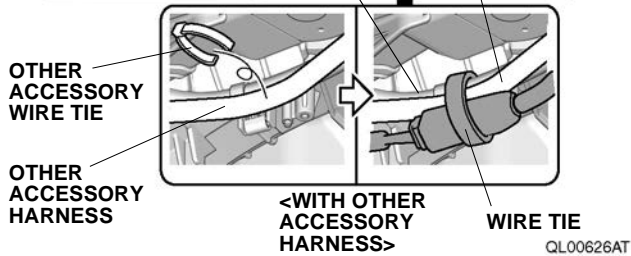
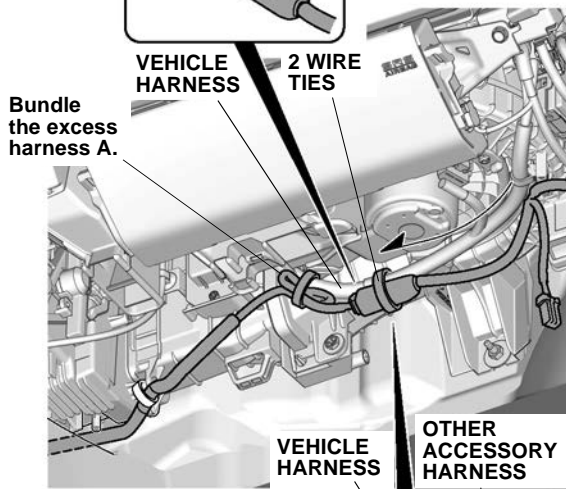
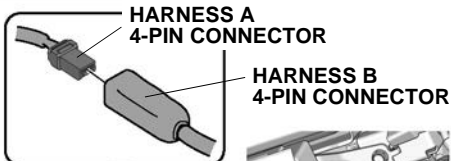
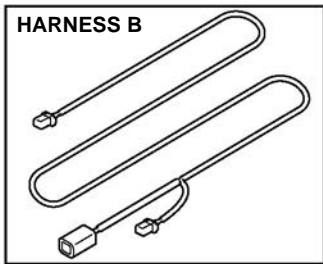
GREEN TAPE (Align with the other accessory wire tie.)

QL00625AT

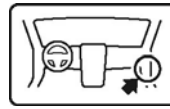
- 52. Connect the harness A connector.
- 53. Secure the harness A and connectors.

NOTICE

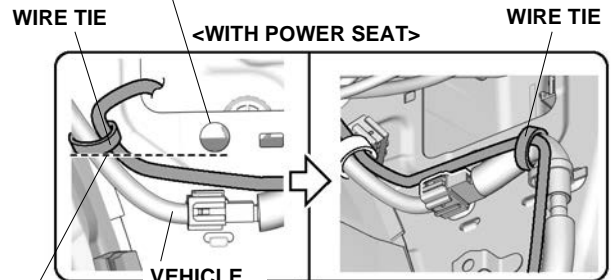
- Be careful not to damage the harness.



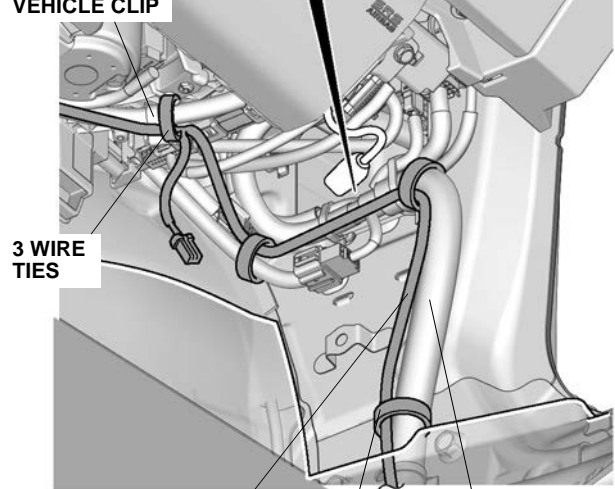
- 54. Secure the harness B.



HOLE OF VEHICLE PANEL



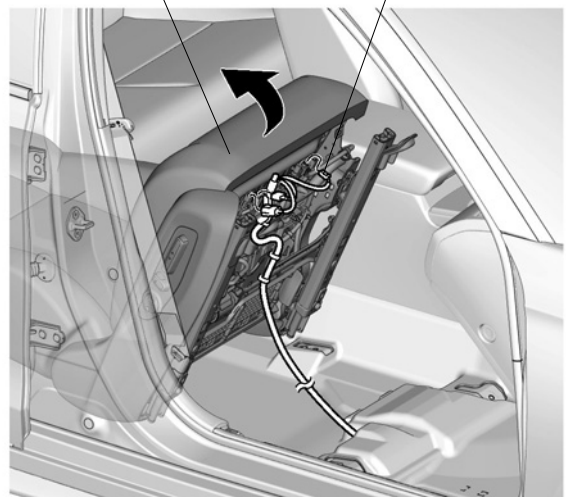
Align. VEHICLE CLIP



- 55. Fold down the right front seat.



RIGHT FRONT SEAT VEHICLE CONNECTOR



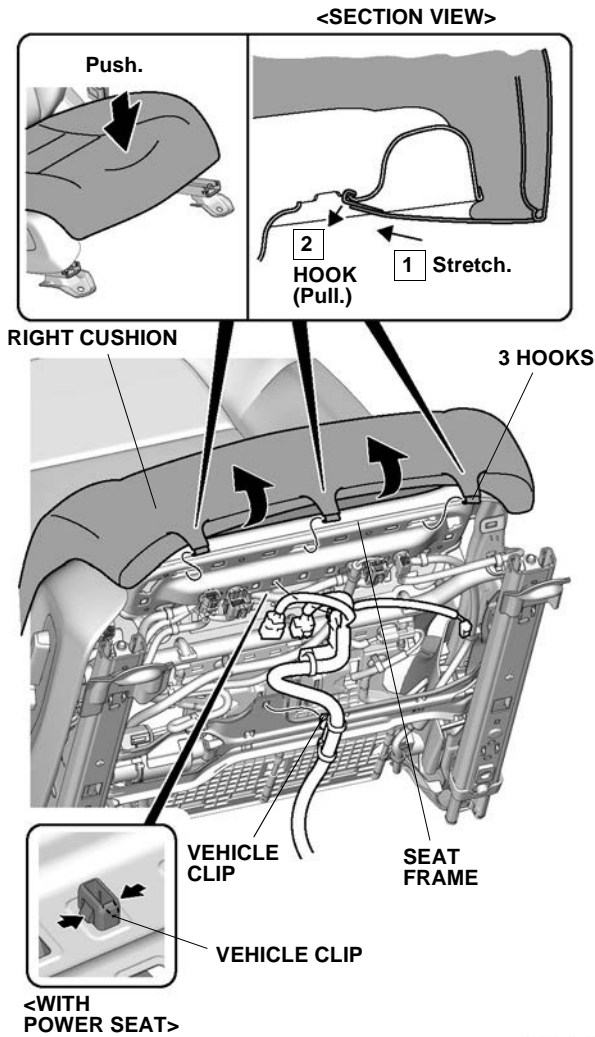
QL00628AT

56. Release the right seat cushion.

NOTICE

- Remove in the order shown.

57. Remove the vehicle clip.

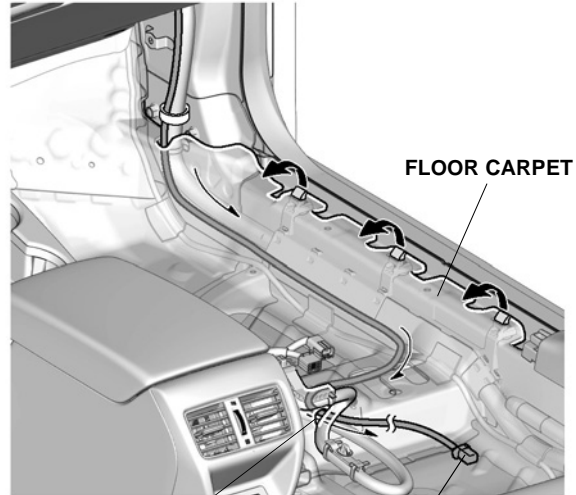


QL00629AT

58. Follow the below guidance.

- With power seat To step 59
- Without power seat To step 62

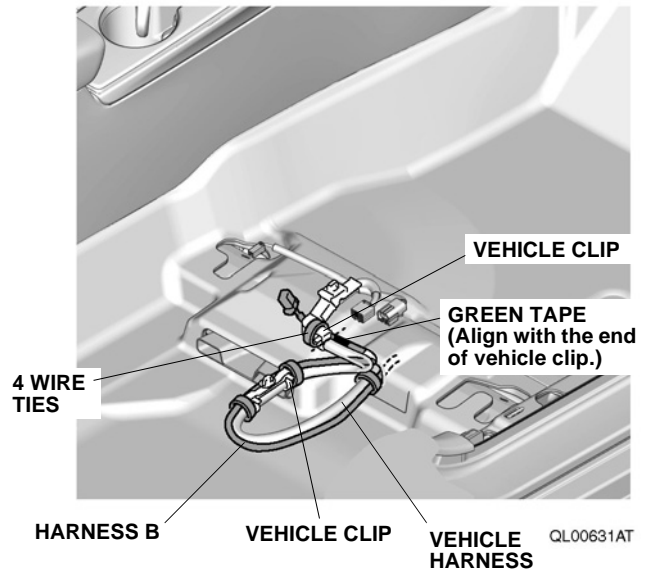
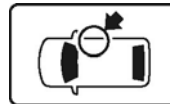
59. Route the harness B.



HARNESS B 4-PIN CONNECTOR

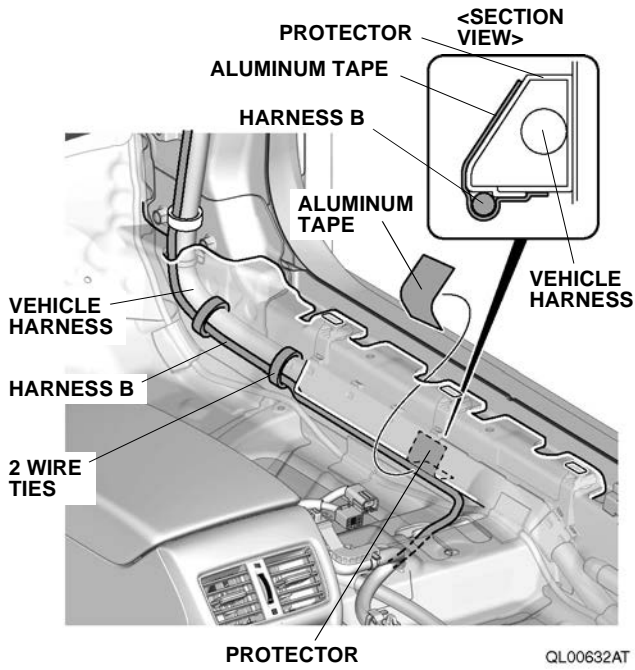
QL00630AT

60. Secure the harness B.



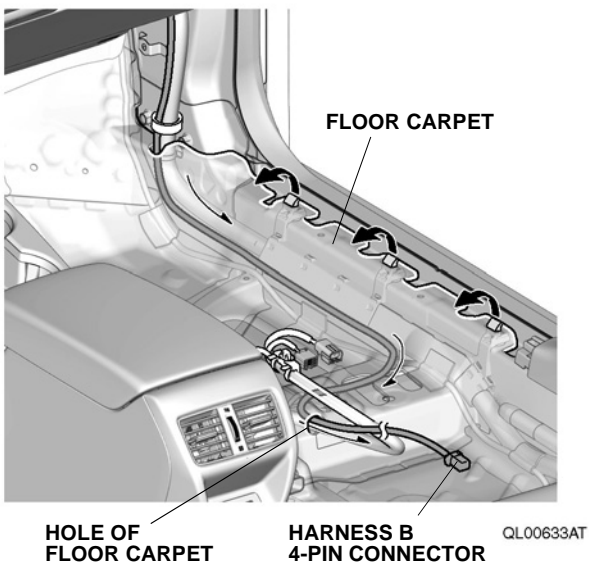
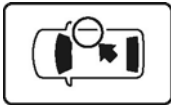
QL00631AT

61. Secure the harness B.

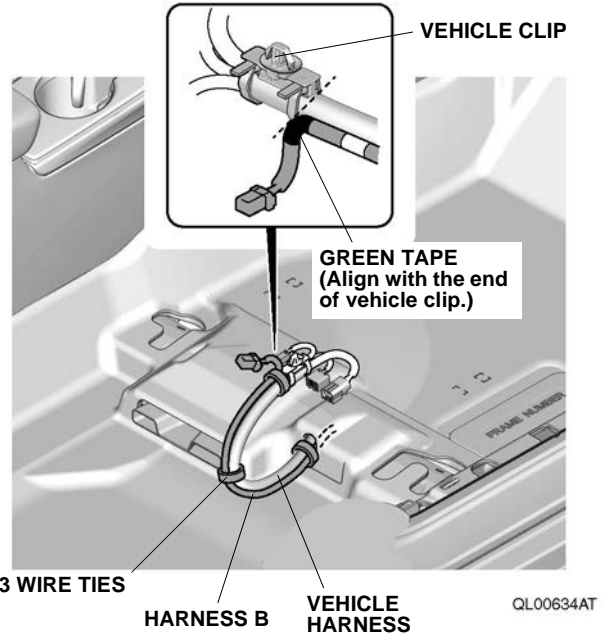
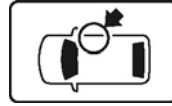


To step 65

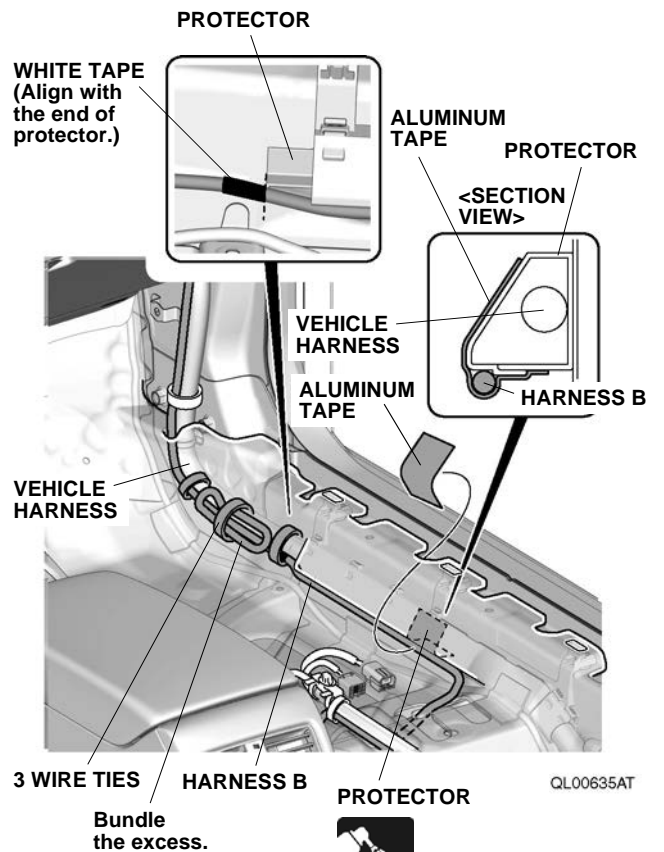
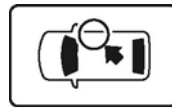
62. Route the harness B.



63. Secure the harness B.



64. Secure the harness B.

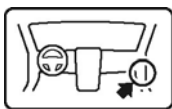


Installing the Lights (LHD)

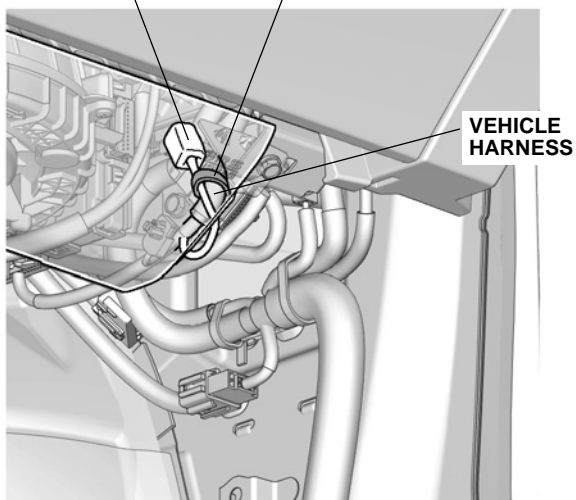
65. Follow the below guidance.

• With vehicle foot light	To step 66
• Without vehicle foot light	To step 68

66. Secure the vehicle connector.



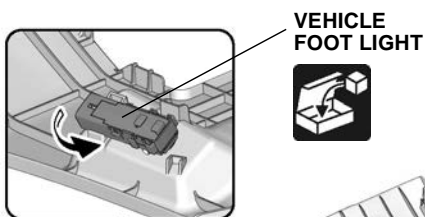
VEHICLE CONNECTOR WIRE TIE



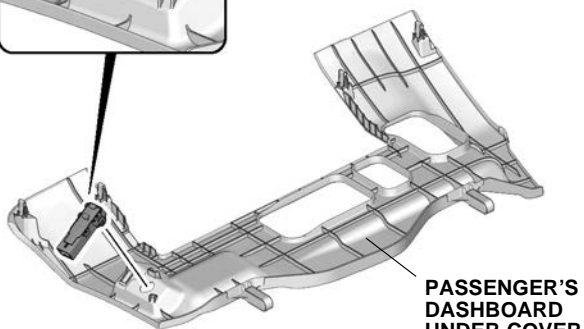
VEHICLE HARNESS

QL00636AT

67. Remove the vehicle foot light.



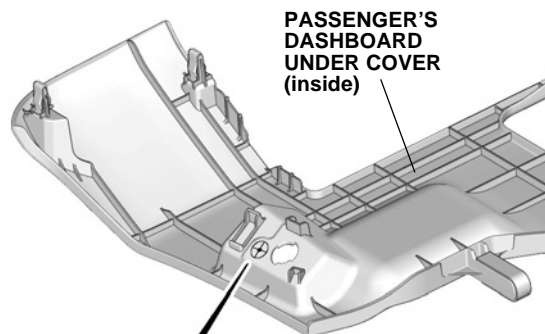
VEHICLE FOOT LIGHT



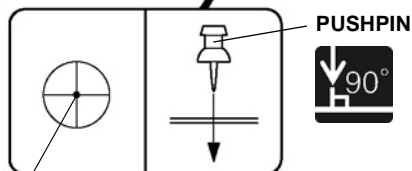
PASSENGER'S DASHBOARD UNDER COVER (inside)

QL00637AT

68. Mark the passenger's dashboard under cover.



PASSENGER'S DASHBOARD UNDER COVER (inside)



PUSHPIN



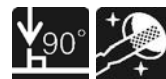
●: MARK

QL00638AT

69. Drill the passenger's dashboard under cover.

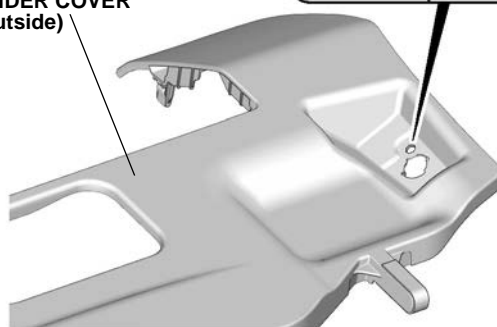


DRILL BIT
3 mm →
5 mm



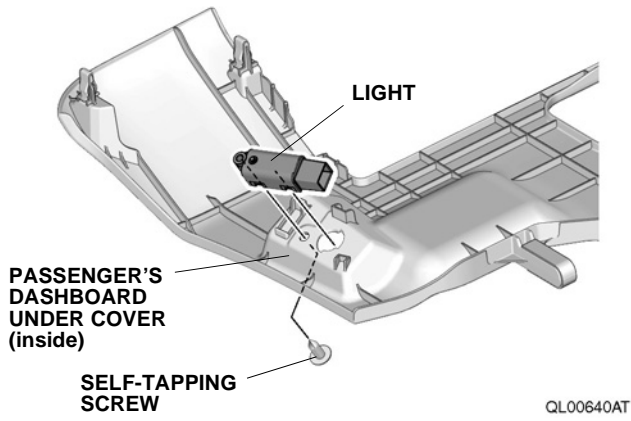
●: MARK

PASSENGER'S DASHBOARD UNDER COVER (outside)



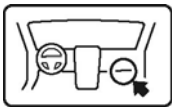
QL00639AT

70. Install the light.

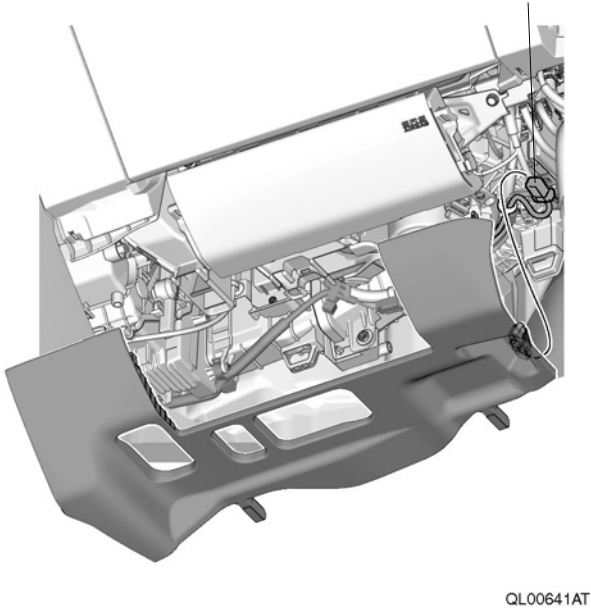


71. Connect the harness B connector.

72. Reinstall the passenger's dashboard under cover.



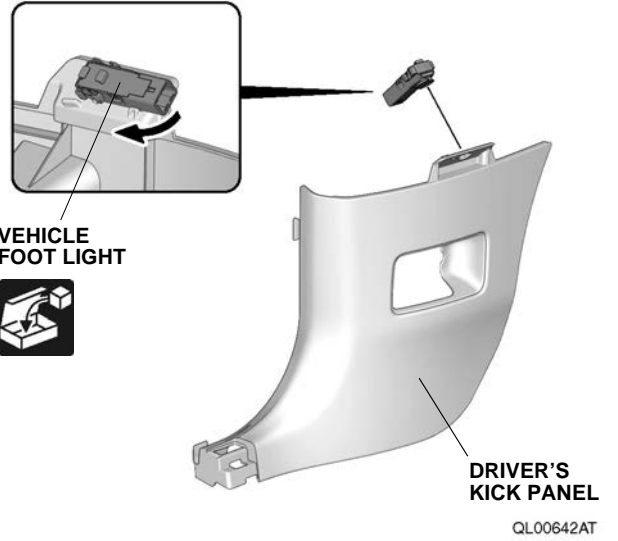
**HARNESS B
4-PIN
CONNECTOR**



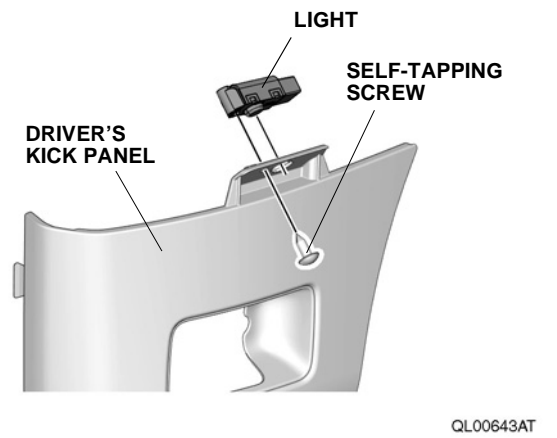
73. Follow the below guidance.

- | | |
|------------------------------|------------|
| • With vehicle foot light | To step 74 |
| • Without vehicle foot light | To step 75 |

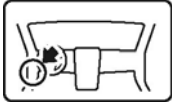
74. Remove the vehicle foot light.



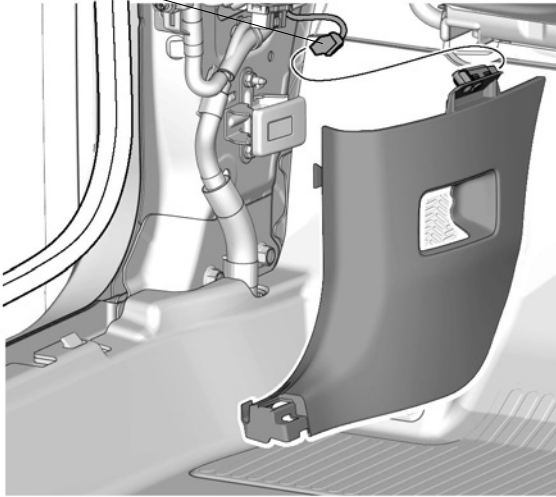
75. Install the light.



- 76. Connect the harness A connector.
- 77. Reinstall the driver's kick panel.



**HARNESS A
4-PIN
CONNECTOR**

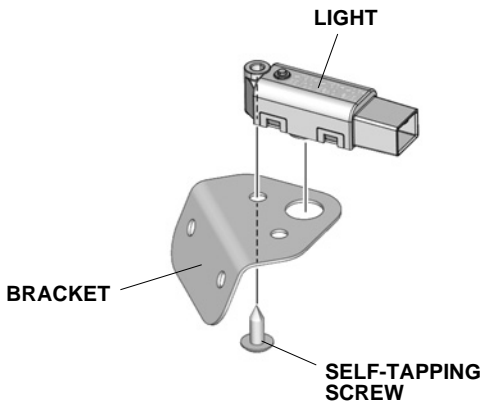


QL00644AT

- 78. Install the light.

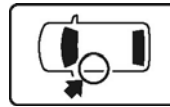
NOTICE

- Make sure to install the light in the correct orientation.



QKN1147AH

- 79. Secure the bracket.



PROJECTION

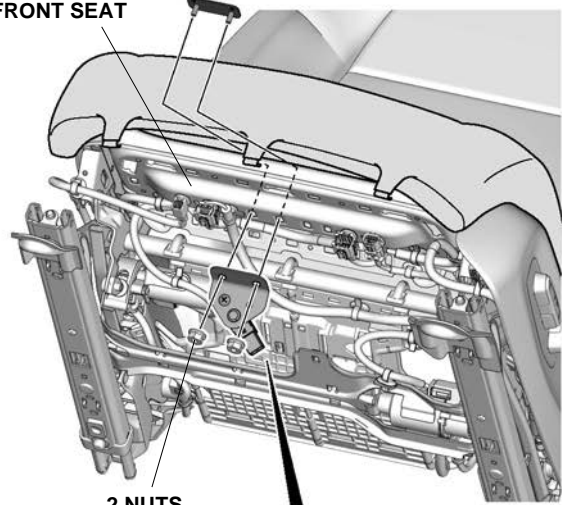
PROJECTION

<OPPOSITE SIDE VIEW>

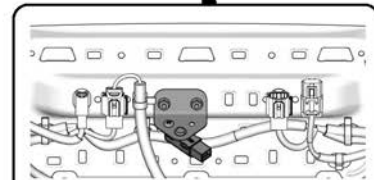


PLATE

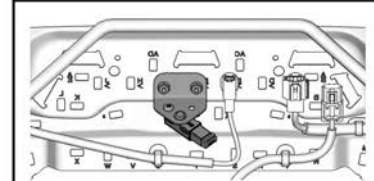
**LEFT
FRONT SEAT**



2 NUTS



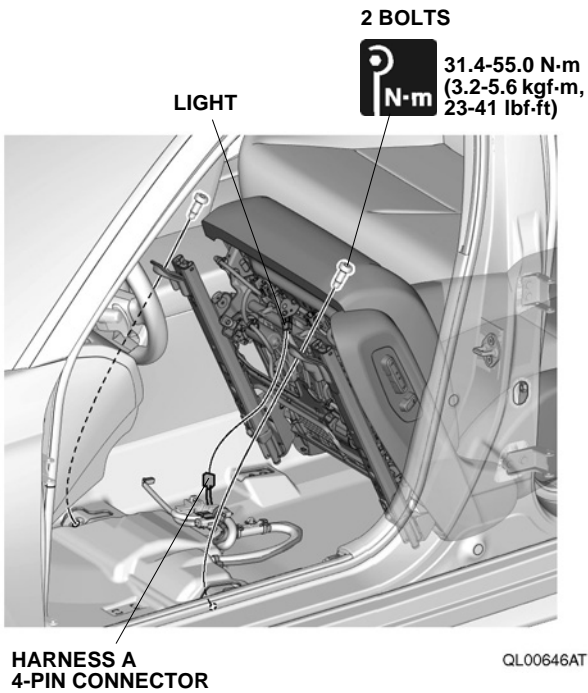
<WITH POWER SEAT>



<WITHOUT POWER SEAT>

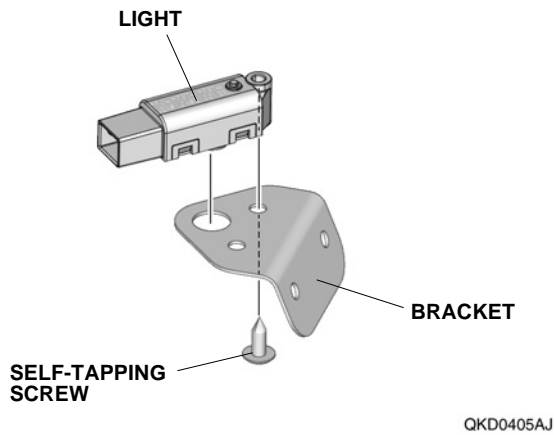
QL00645AT

- 80. Reinstall the vehicle clip, left seat cushion, and vehicle connector removed in steps 32 through 34.
- 81. Connect the harness A connector.
- 82. Secure the left front seat.

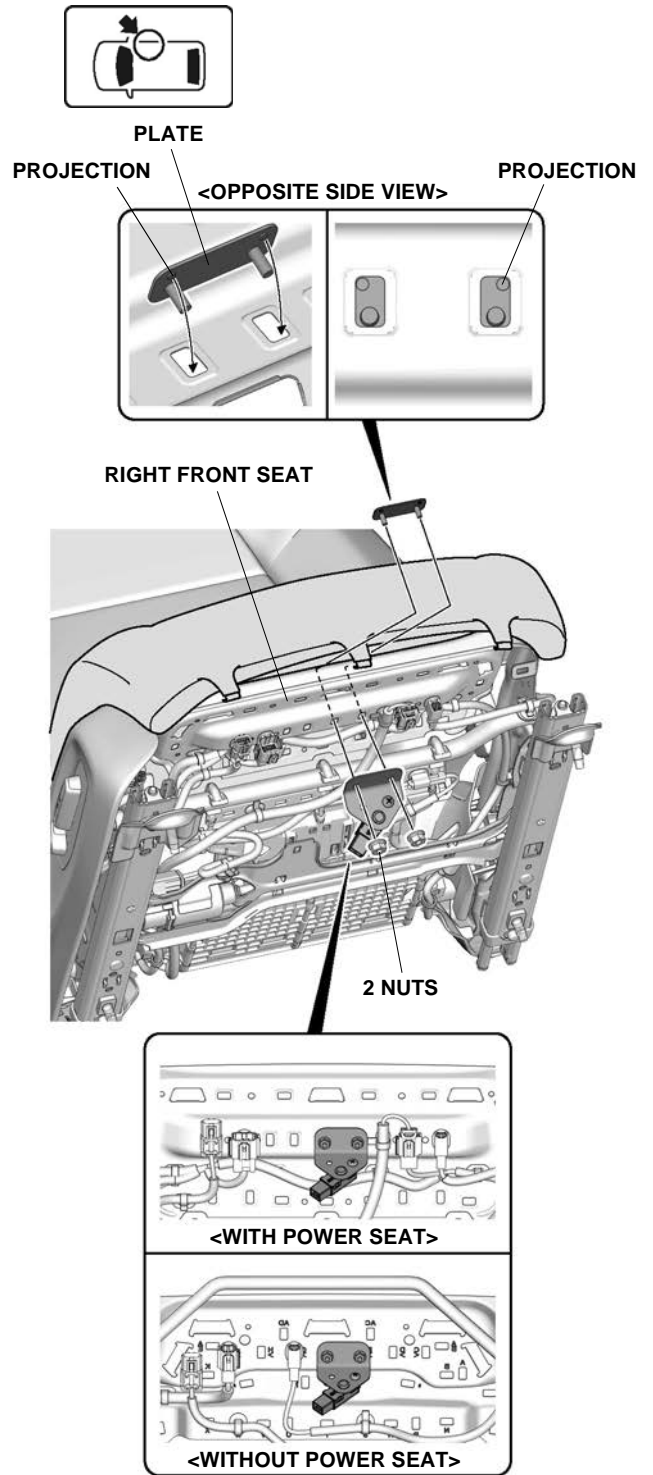


- 83. Install the light.

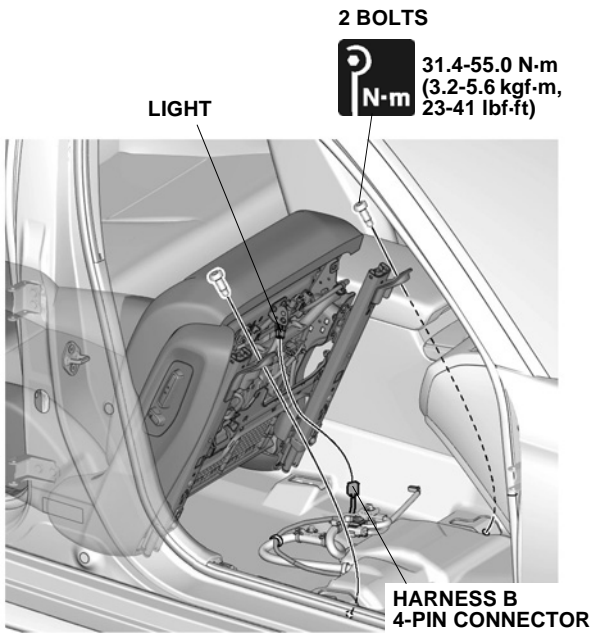
NOTICE
<ul style="list-style-type: none"> • Make sure to install the light in the correct orientation.



- 84. Secure the bracket.



- 85. Reinstall the vehicle clip, right seat cushion, and vehicle connector removed in steps 55 through 57.
- 86. Connect the harness B connector.
- 87. Secure the right front seat.

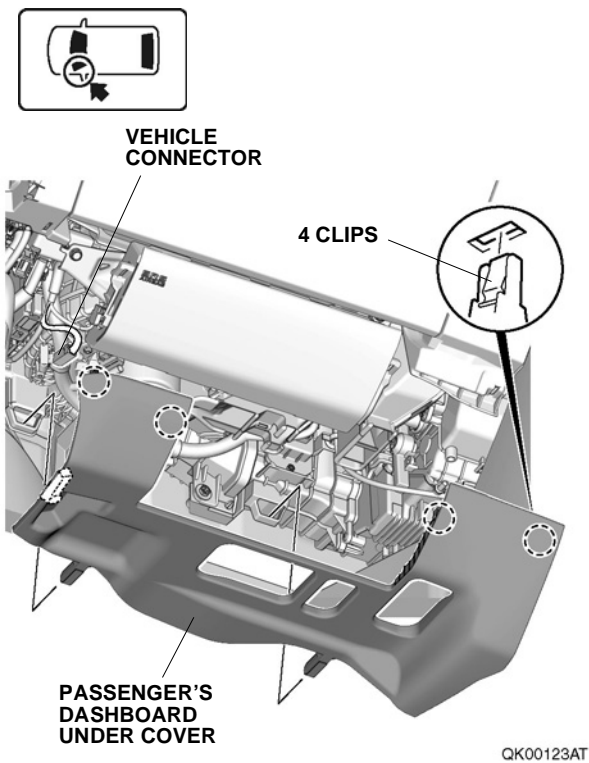


QL00648AT

To step 166

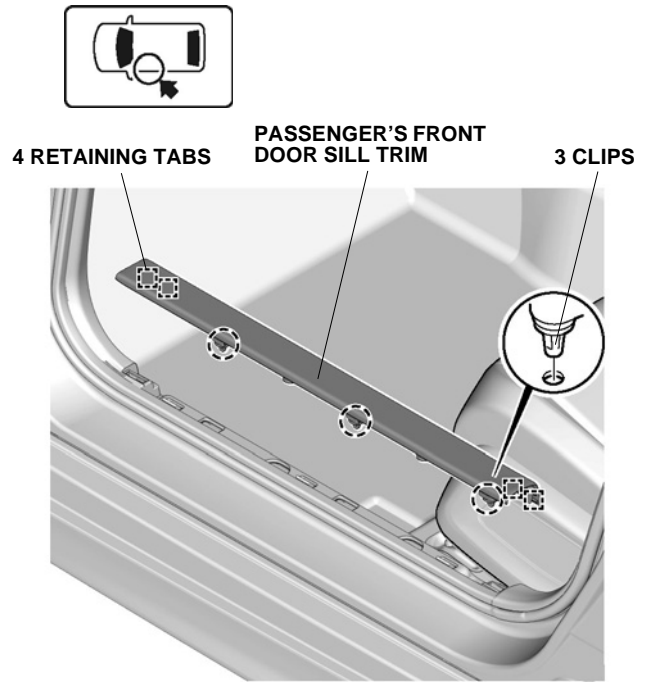
Removing the Vehicle Parts (RHD)

- 88. Remove the passenger's dashboard under cover.



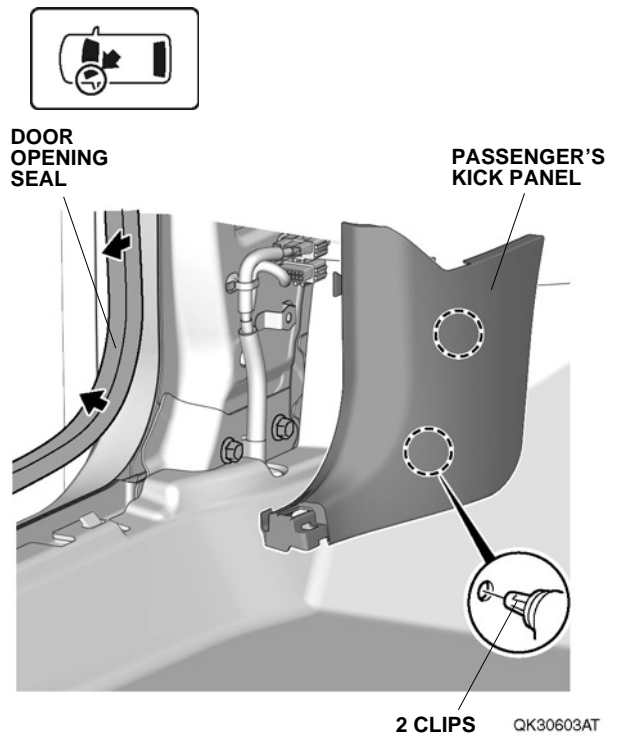
QK00123AT

- 89. Remove the passenger's front door sill trim.



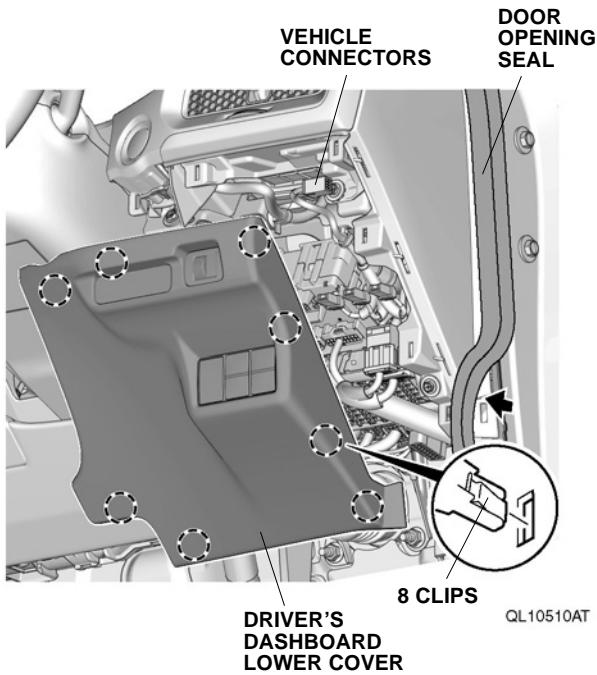
QL01011AT

- 90. Remove the passenger's kick panel.



QK30603AT

91. Remove the driver's dashboard lower cover.

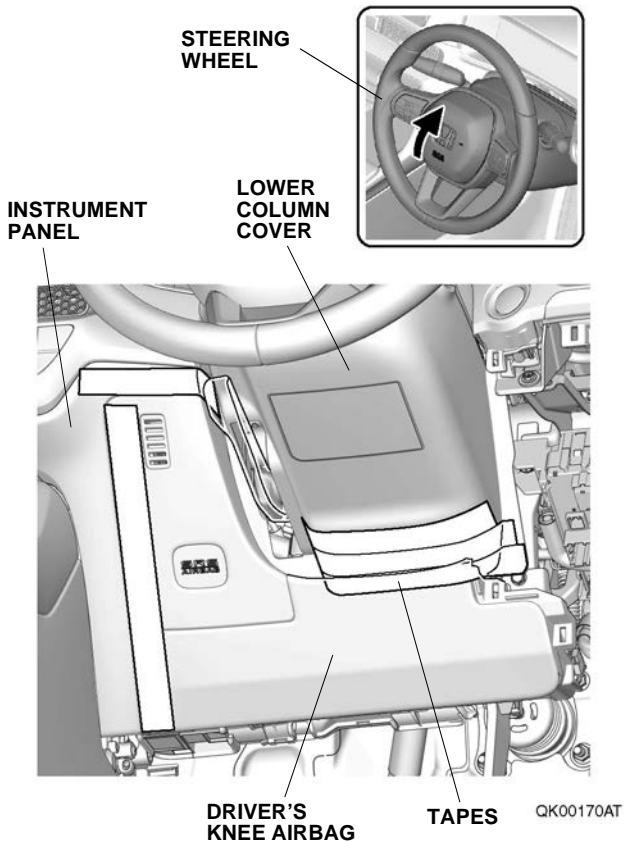


92. Fix the tilt lever of the column in the top position.

93. Attach the tapes to protect the vehicle.

NOTICE

- Do not remove the tapes until after the reinstallation.



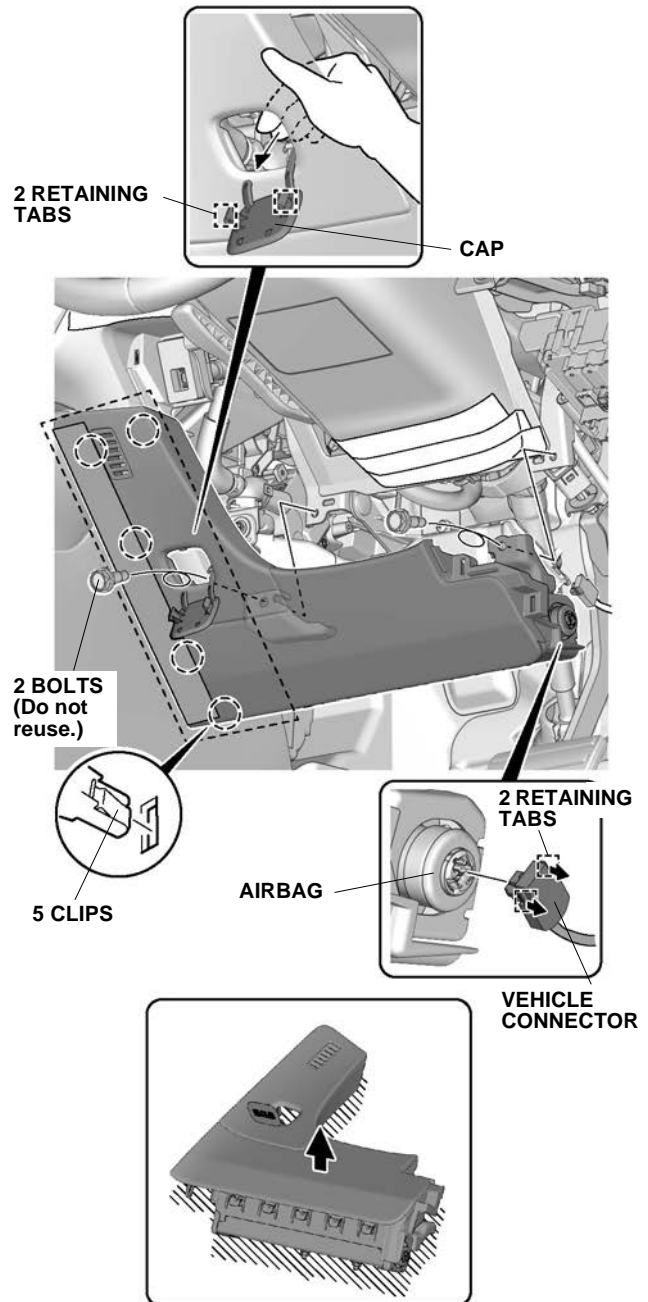
94. Remove the driver's knee airbag.

CAUTION

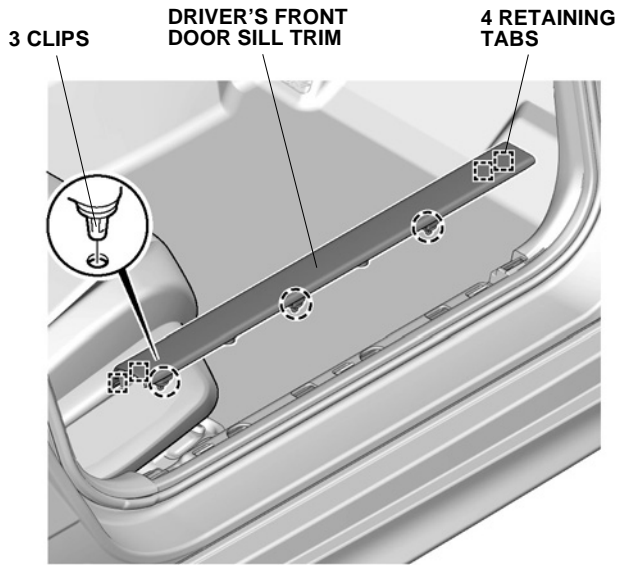
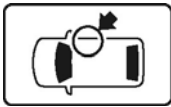
- Work after leaving more than three minutes after disconnecting the negative cable from the battery.
- Do not drop the removed knee airbag or hit it on an object.
- Place the removed knee airbag on a safe place with the pad surface (top) facing upward.

NOTICE

- Release the clip of the dotted line part in order from the top.

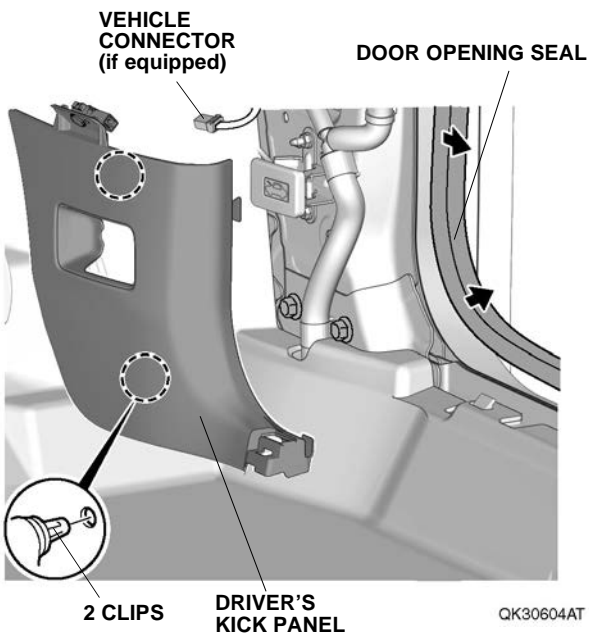
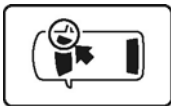


95. Remove the driver's front door sill trim.



QL01012AT

96. Remove the driver's kick panel.



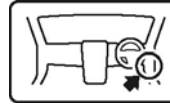
QK30604AT

Routing the Harness A and B (RHD)

97. Follow the below guidance.

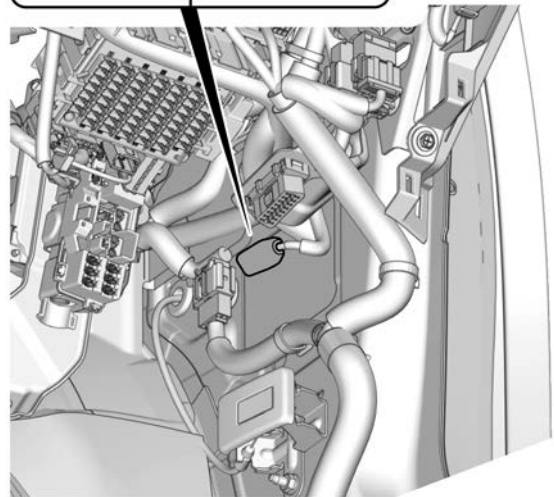
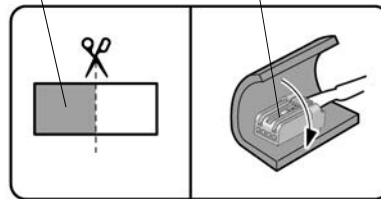
- | | |
|------------------------------|-------------|
| • With vehicle foot light | To step 98 |
| • Without vehicle foot light | To step 100 |

98. Attach the urethane tape.



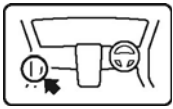
URETHANE TAPE
(Cut in half.)

VEHICLE 4-PIN
CONNECTOR



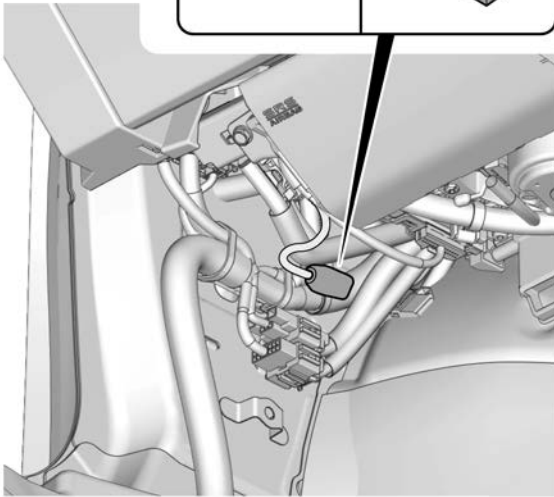
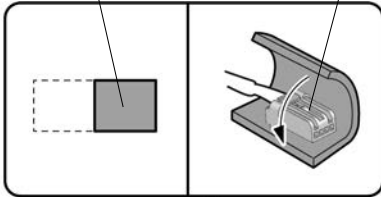
QKN1108AH

99. Attach the urethane tape.



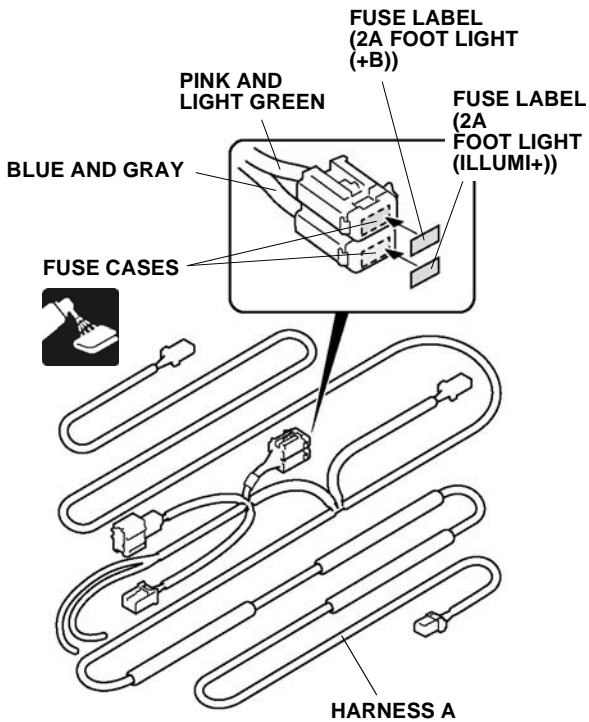
URETHANE TAPE
(cut in step 98)

VEHICLE 4-PIN
CONNECTOR



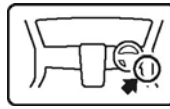
QKN1109AH

100. Attach the fuse label.

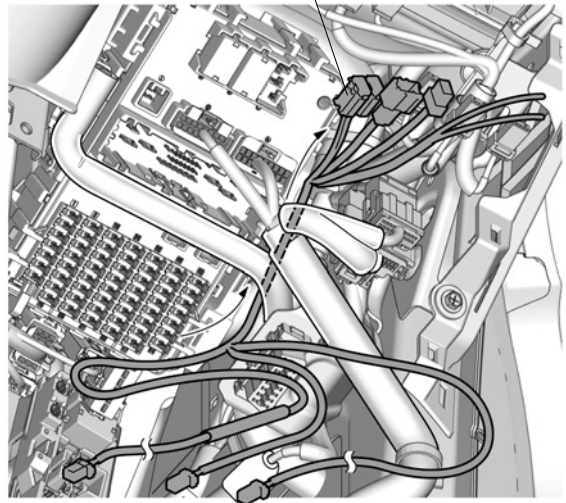


QL01001AT

101. Route the harness A.



FUSE CASES

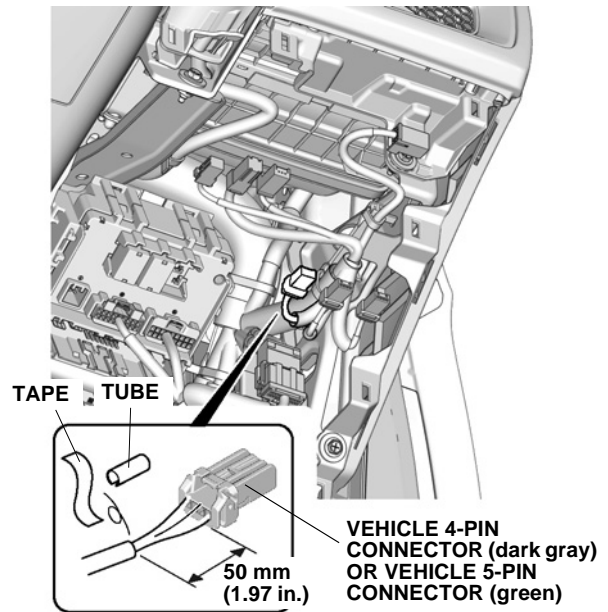


QKN1111AH

102. Cut out the tube.

NOTICE

- Be careful not to damage the vehicle harness.



QKN1112BH

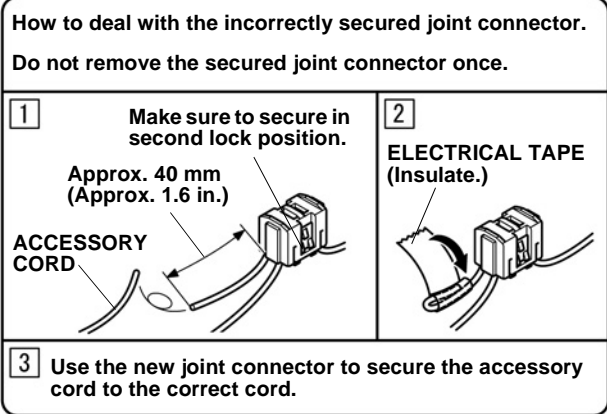
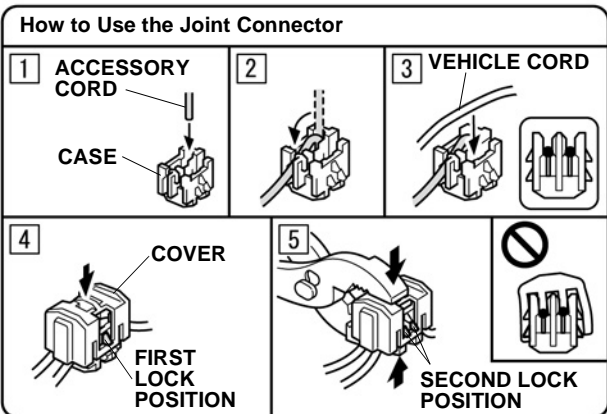
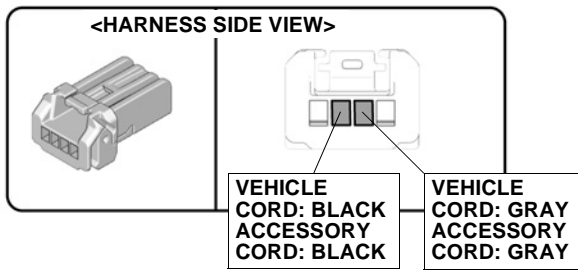
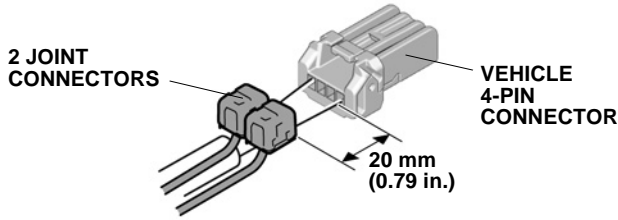
103. Follow the below guidance.

- | | |
|---------------------------|-------------|
| • Vehicle 4-pin connector | To step 104 |
| • Vehicle 5-pin connector | To step 105 |

104. Connect the harness A cords.

NOTICE

- Make sure to correctly connect the cord.

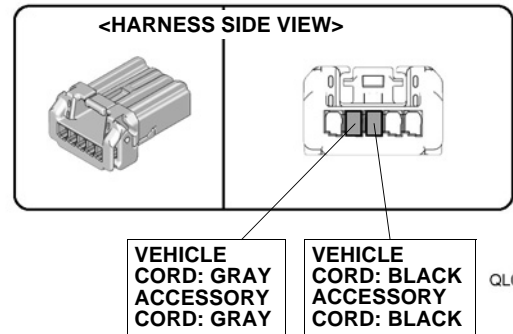
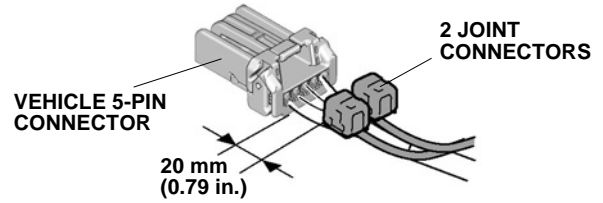


QKN1113AH

To step 106

105. Connect the harness A cords.

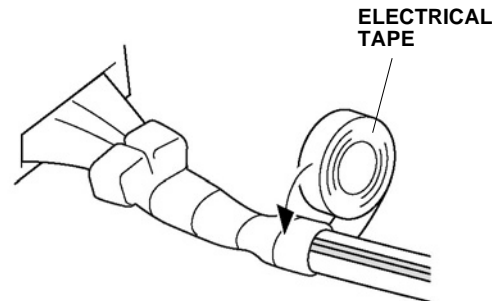
(Refer to "How to Use the Joint Connector" in step 104.)



106. Secure the harness A cords.

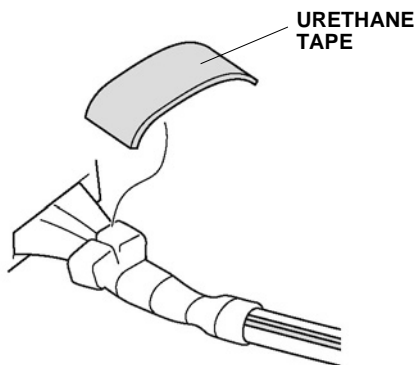
NOTICE

- Wrap the electrical tape around the tubes and tapes of the vehicle harness.



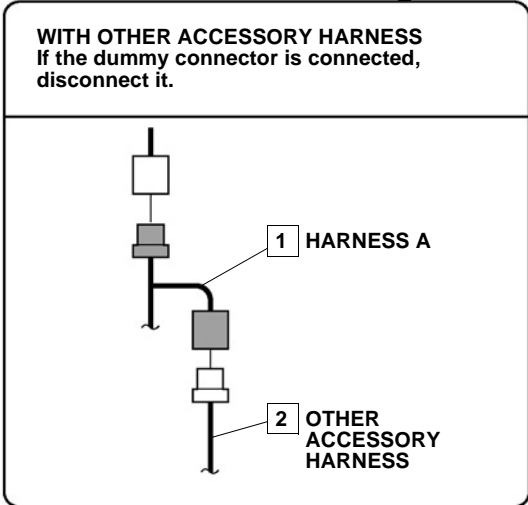
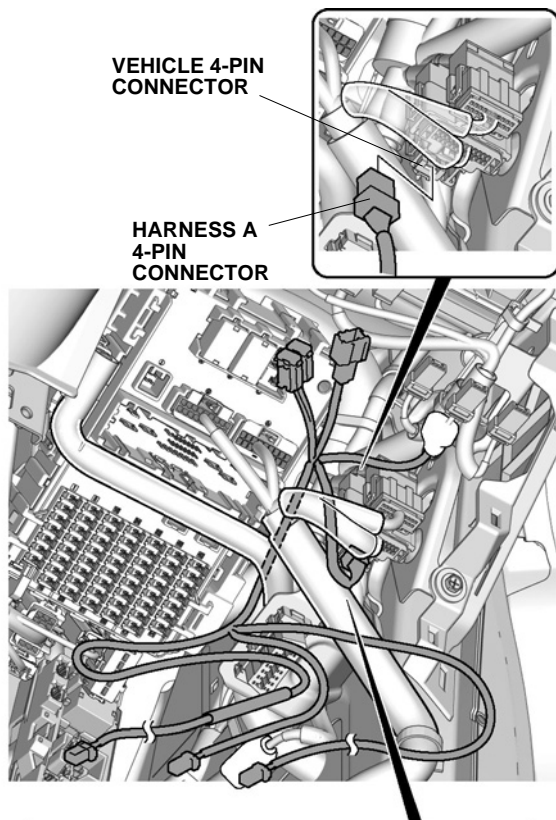
QG50113BT

107. Wrap the urethane tape.



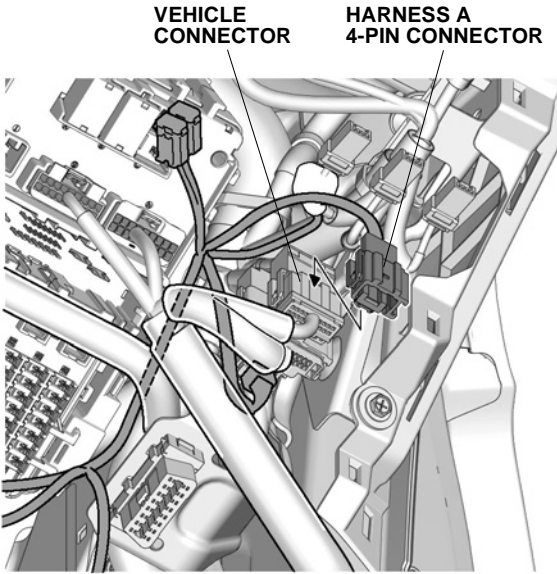
QG50112CT

108. Connect the harness A connector.



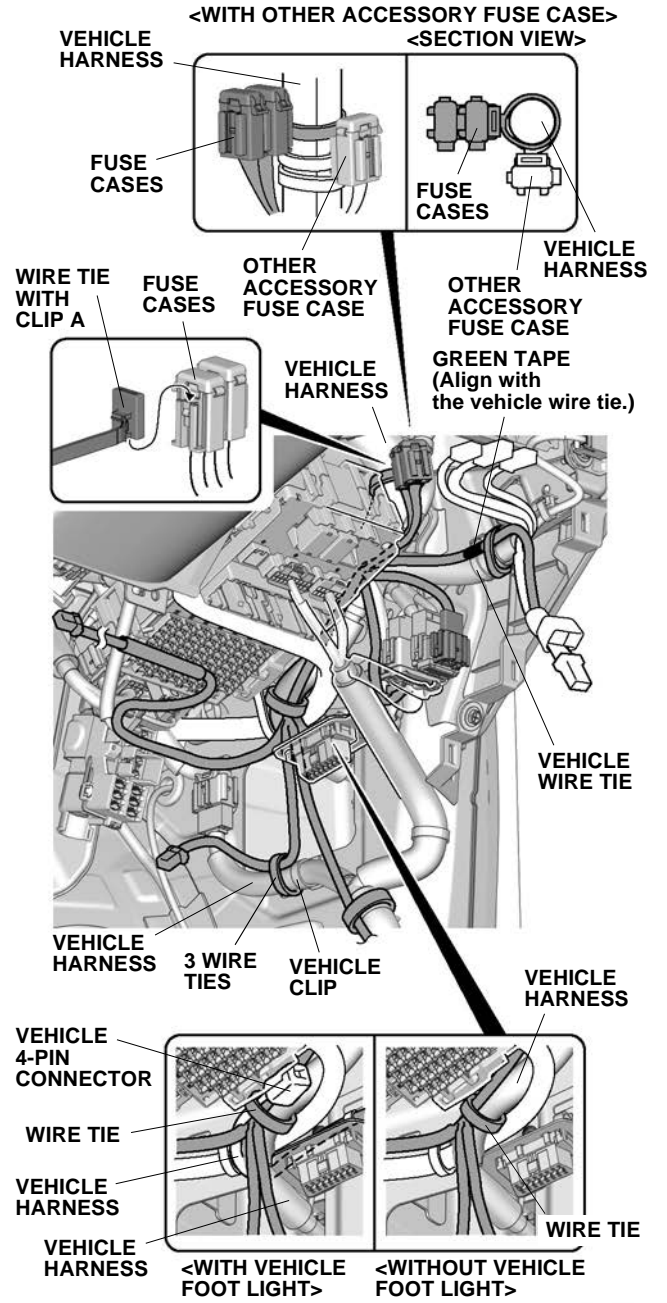
QL01002AT

109. Attach the harness A connector.



QL01003AT

110. Secure the harness A and the fuse cases.



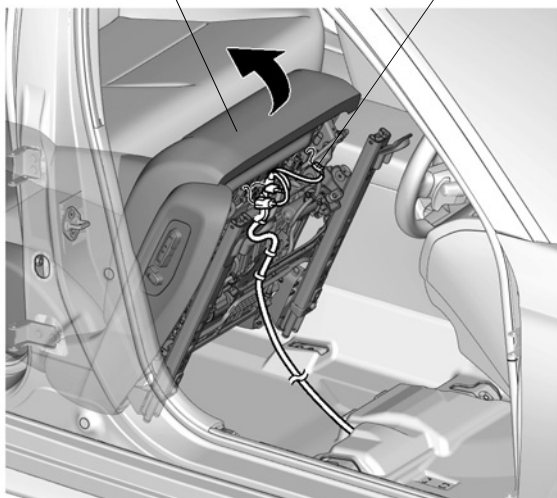
QL01004BT

111. Fold down the right front seat.



RIGHT FRONT SEAT

VEHICLE CONNECTOR



QKN1106CH

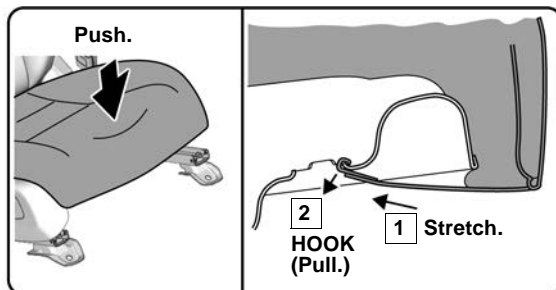
112. Release the right seat cushion.

NOTICE

- Remove in the order shown.

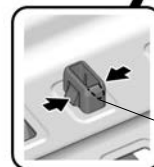
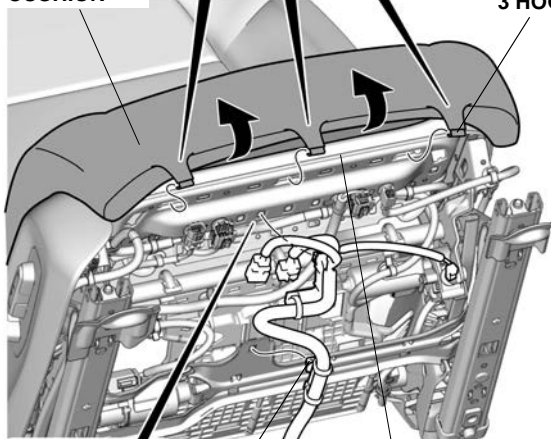
113. Remove the vehicle clip.

<SECTION VIEW>



RIGHT SEAT CUSHION

3 HOOKS



VEHICLE CLIP

SEAT FRAME

VEHICLE CLIP

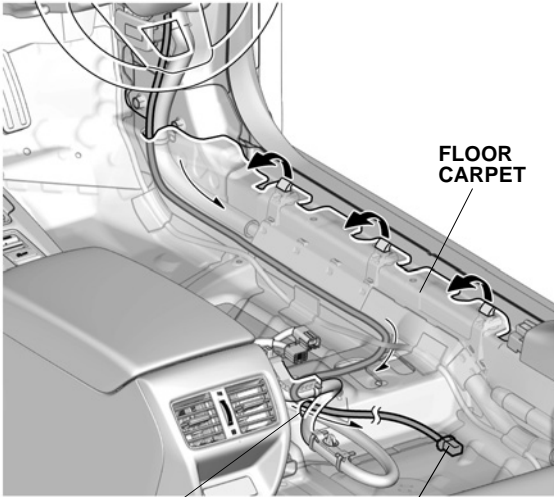
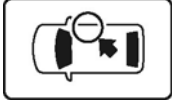
<WITH POWER SEAT>

QKN1146AH

114. Follow the below guidance.

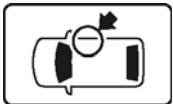
- | | |
|----------------------|-------------|
| • With power seat | To step 115 |
| • Without power seat | To step 118 |

115. Route the harness A.

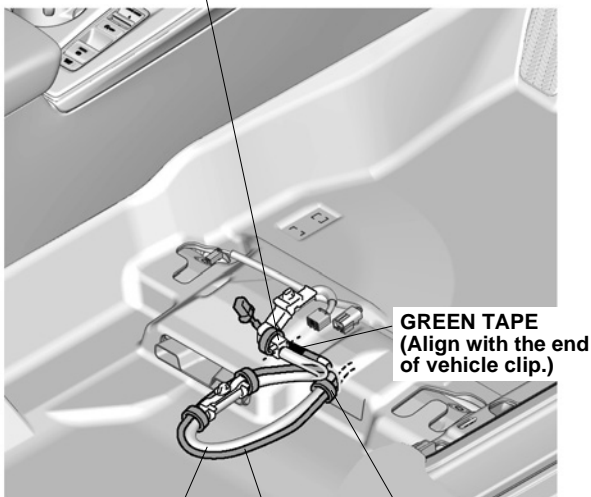


HOLE OF FLOOR CARPET HARNESS A 4-PIN CONNECTOR QKN1118AH

116. Secure the harness A.

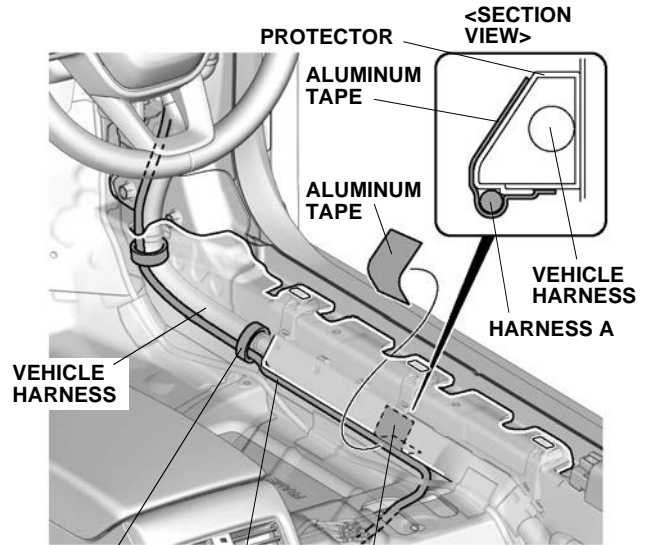


VEHICLE CLIP



VEHICLE HARNESS HARNESS A 4 WIRE TIES QKN1119DH

117. Secure the harness A.

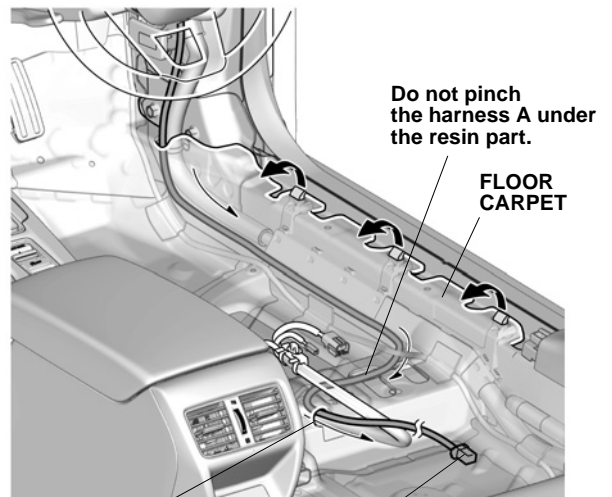


2 WIRE TIES HARNESS A PROTECTOR QL01013AT



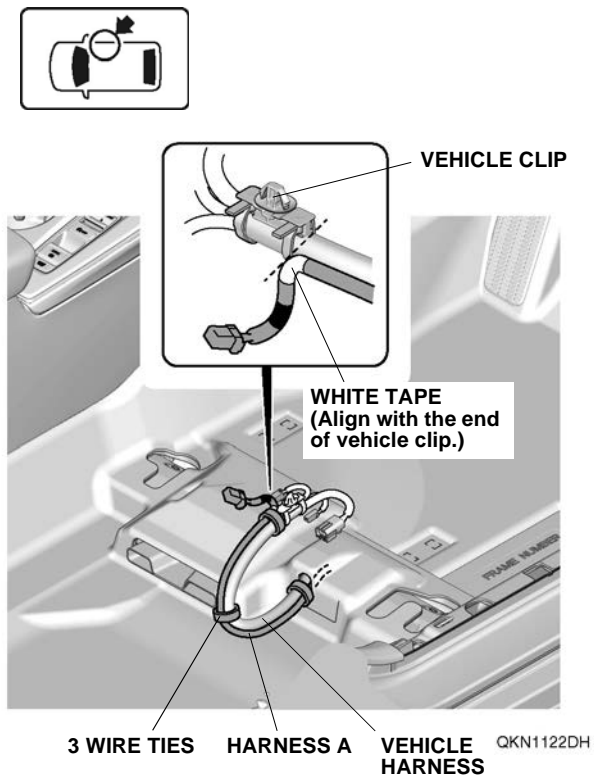
To step 121

118. Route the harness A.

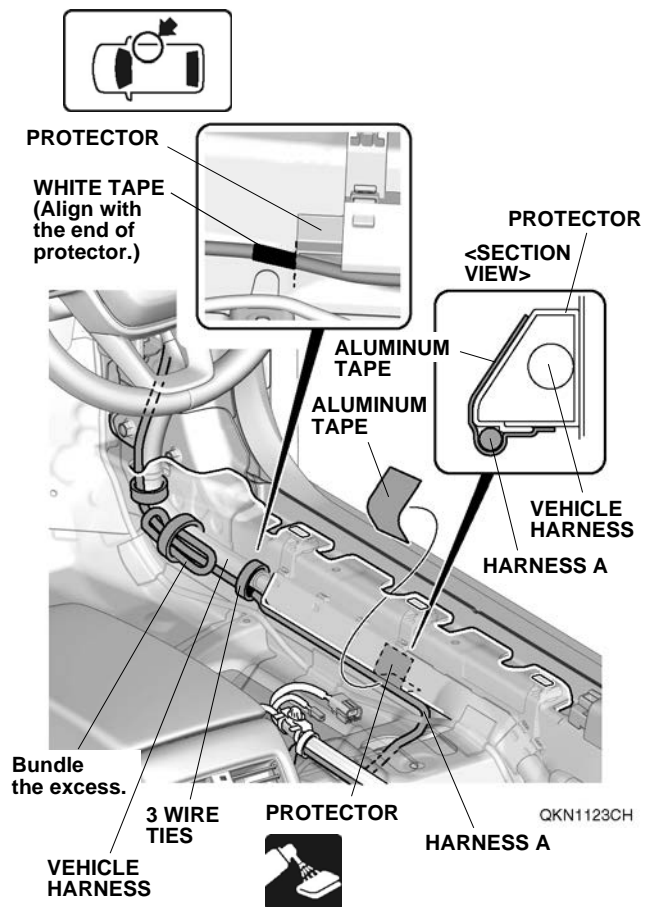


HOLE OF FLOOR CARPET HARNESS A 4-PIN CONNECTOR QKN1121AH

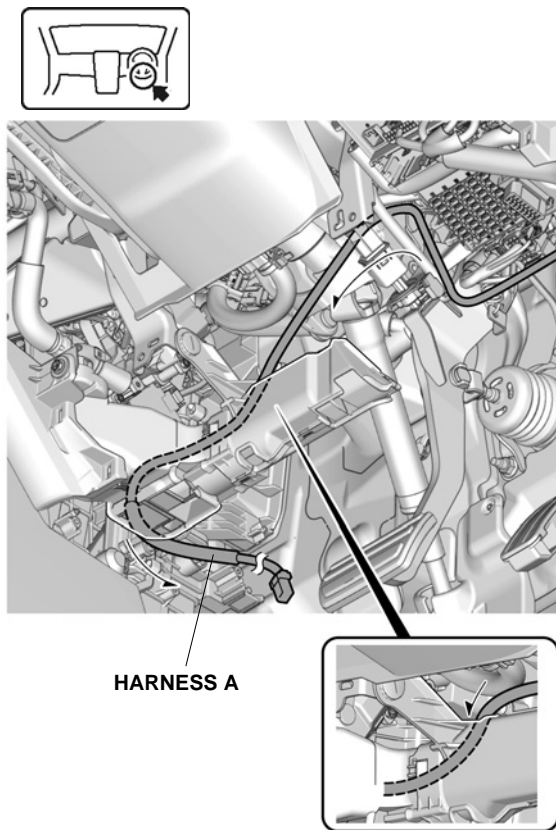
119. Secure the harness A.



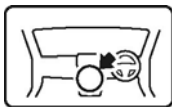
120. Secure the harness A.



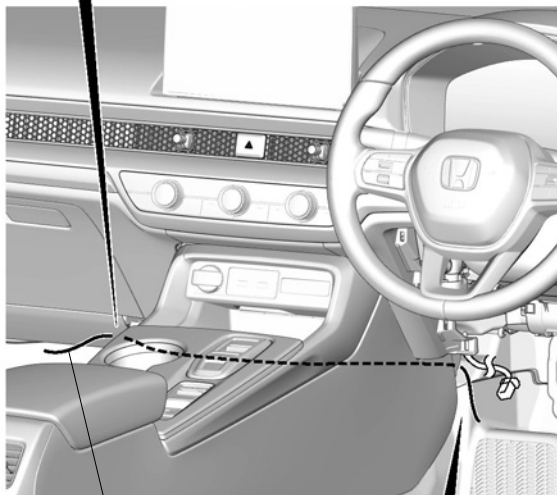
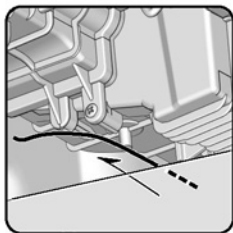
121. Route the harness A.



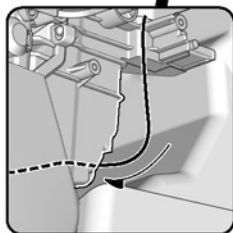
122. Route the steel wire.



<OPPOSITE SIDE VIEW>

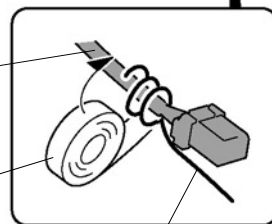
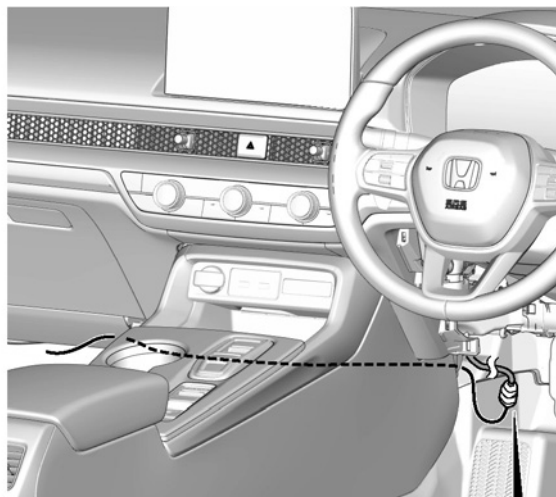


STEEL WIRE



QL01005AT

123. Attach the steel wire.



HARNESS A

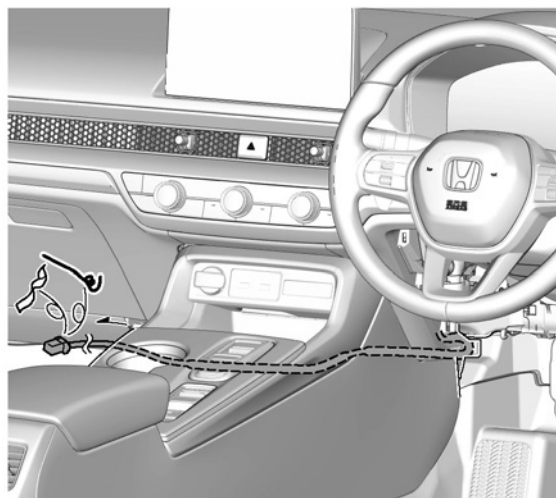
ELECTRICAL TAPE

STEEL WIRE

QL01006AT

124. Route the harness A.

125. Remove the steel wire.

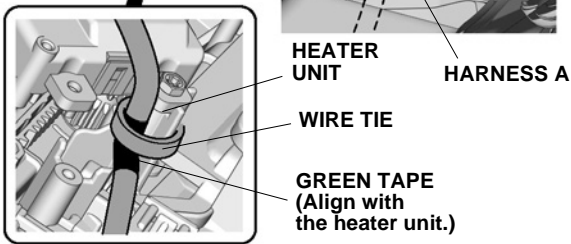
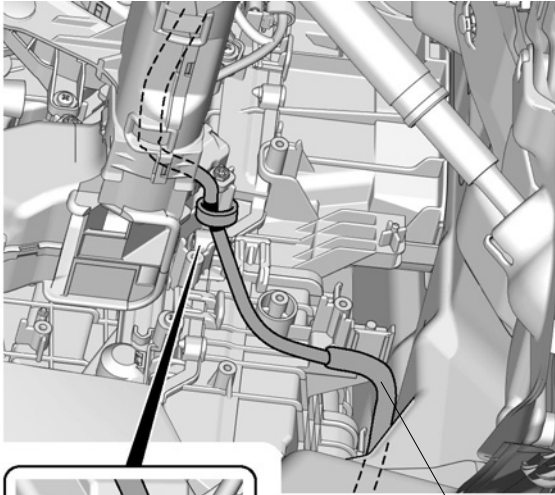
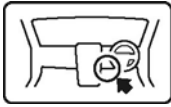


QL01007AT

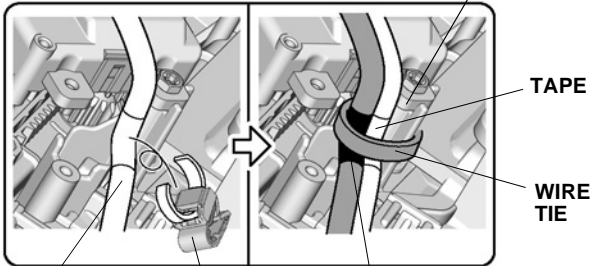
126. Secure the harness A.

NOTICE

- Be careful not to damage the other accessory harness.



<WITH OTHER ACCESSORY HARNESS>

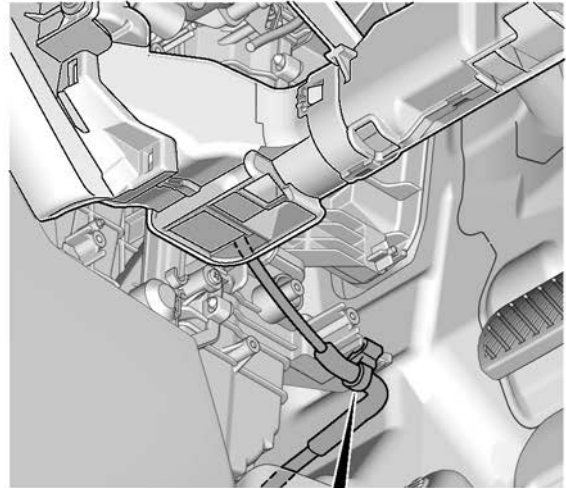


QL01008AT

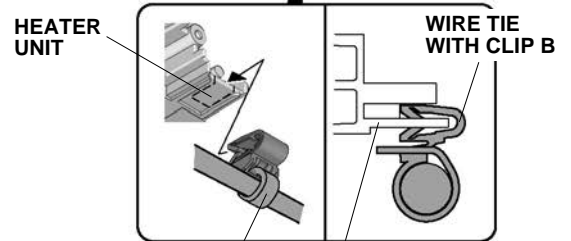
127. Secure the harness A.

NOTICE

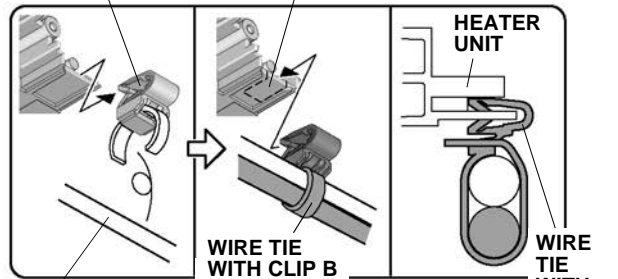
- Make sure install the wire tie with clip in the correct orientation.
- Be careful not to damage the other accessory harness.



<SECTION VIEW>



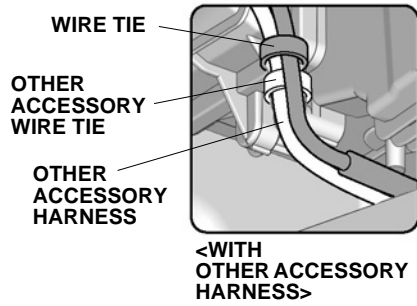
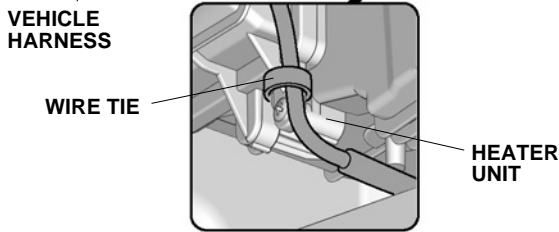
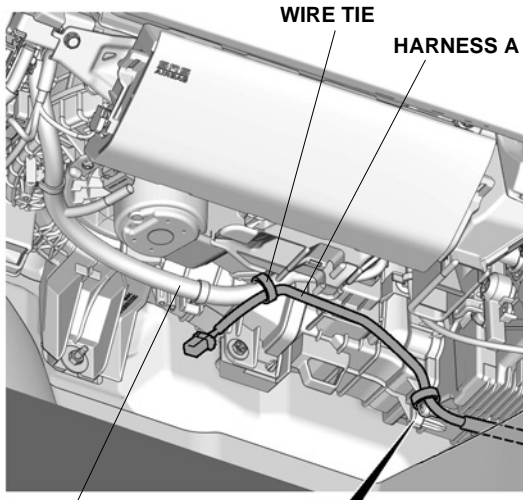
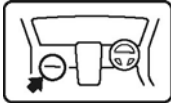
WIRE TIE WITH CLIP
HEATER UNIT
<SECTION VIEW>



OTHER ACCESSORY HARNESS

QL01009AT

128. Secure the harness A.

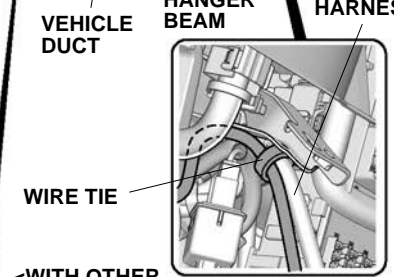
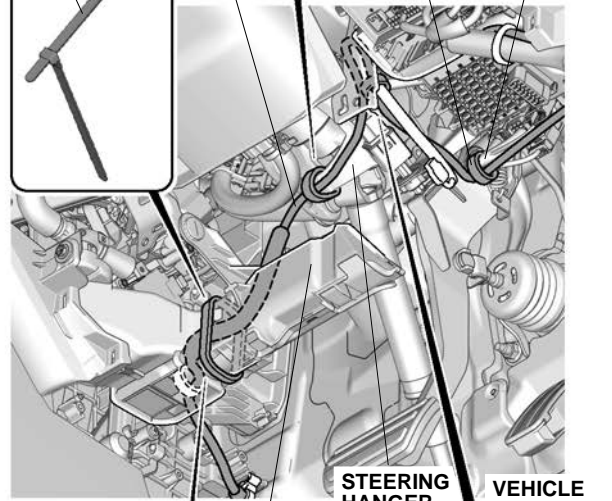
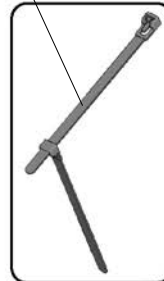
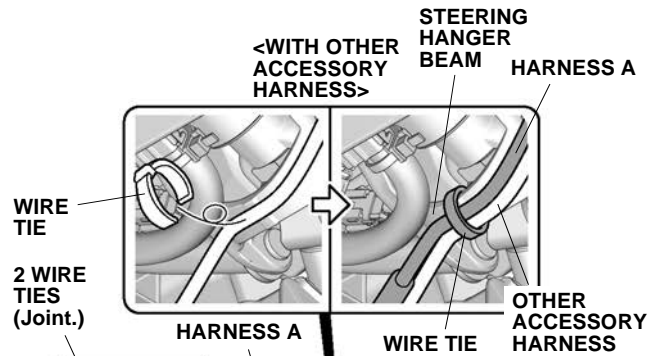
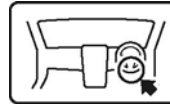


QL01010AT

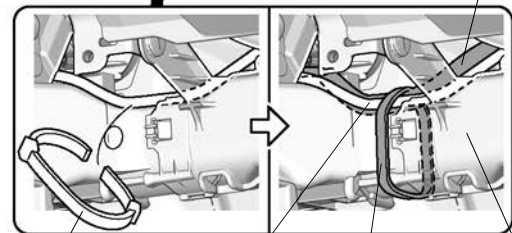
129. Secure the harness A.

NOTICE

- Be careful not to damage the other accessory harness.



<WITH OTHER ACCESSORY HARNES>
HARNES A



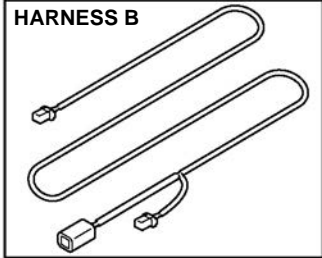
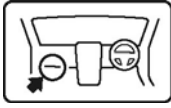
QKN1131DH

130. Connect the harness A connector.

131. Secure the connectors.

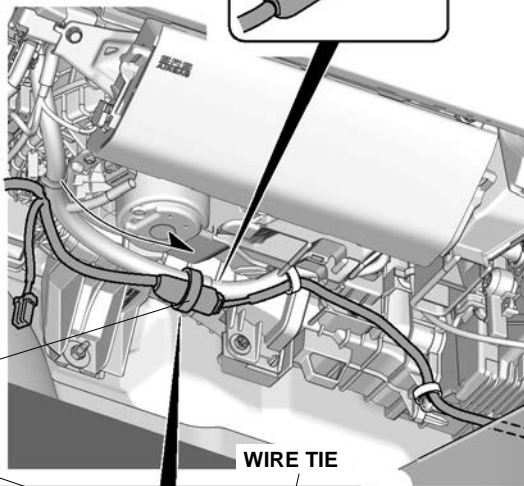
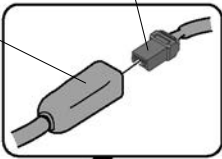
NOTICE

- Be careful not to damage the harness.



**HARNESS A
4-PIN CONNECTOR**

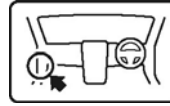
**HARNESS B
4-PIN
CONNECTOR**



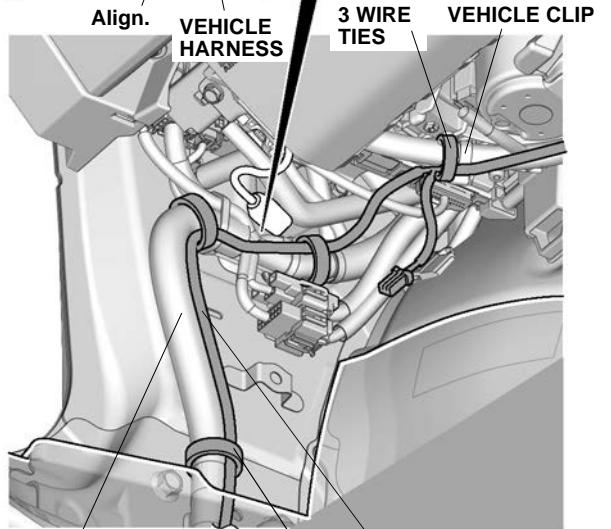
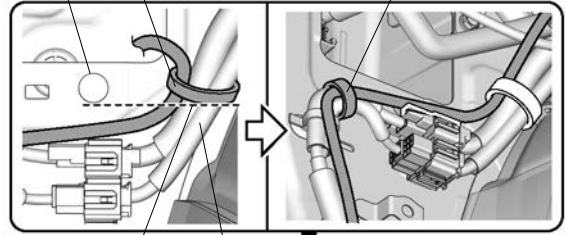
**<WITH OTHER
ACCESSORY
HARNESS>**

4-PIN CONNECTORS QKN1132CH

132. Secure the harness B.

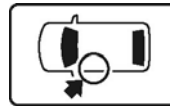


HOLE OF VEHICLE PANEL **WIRE TIE** **<WITH POWER SEAT>** **WIRE TIE**



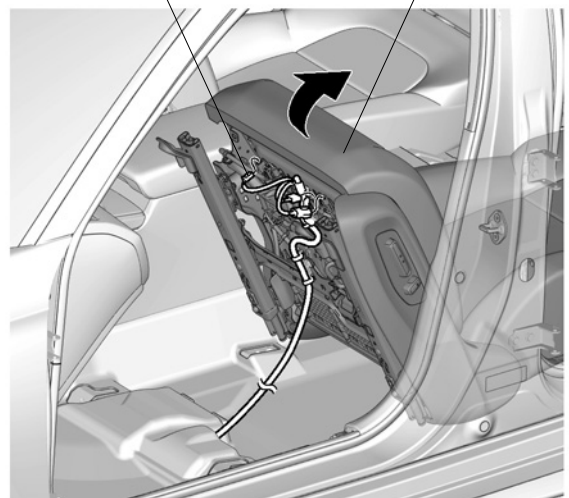
QKN1133CH

133. Fold down the left front seat.



VEHICLE CONNECTOR

LEFT FRONT SEAT



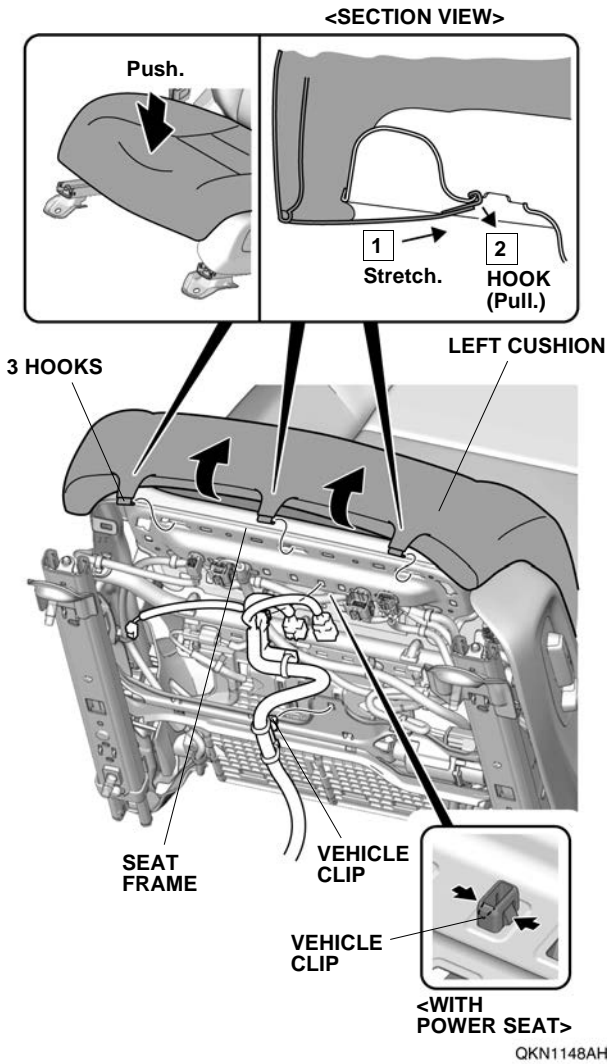
QKN1107CH

134. Release the left seat cushion.

NOTICE

- Remove in the order shown.

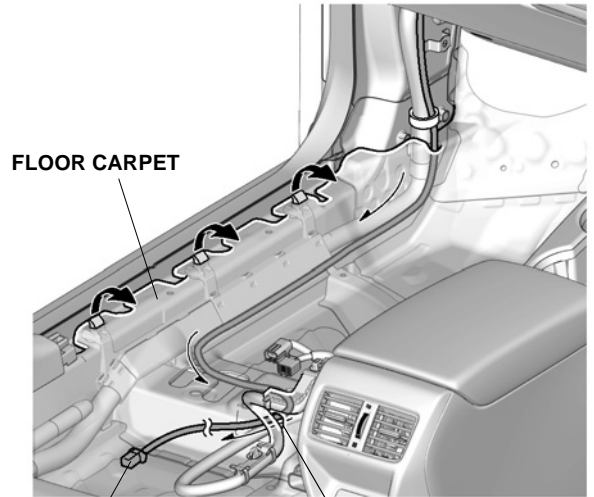
135. Remove the vehicle clip.



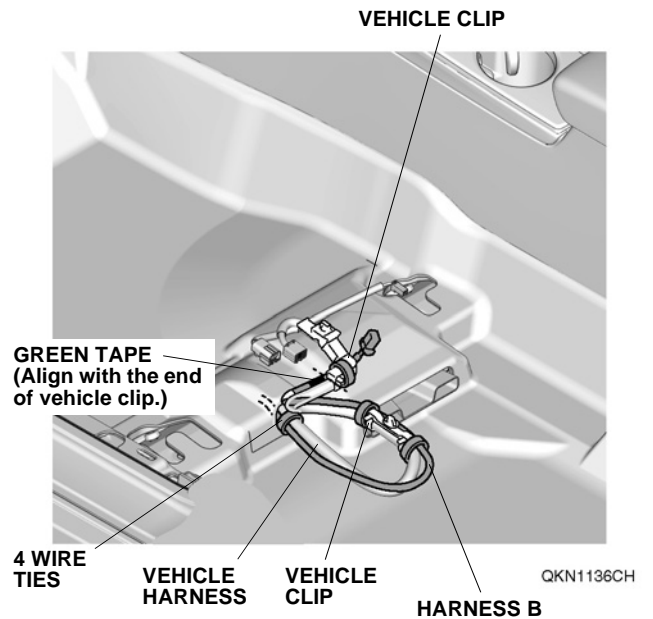
136. Follow the below guidance.

- | | |
|----------------------|-------------|
| • With power seat | To step 137 |
| • Without power seat | To step 140 |

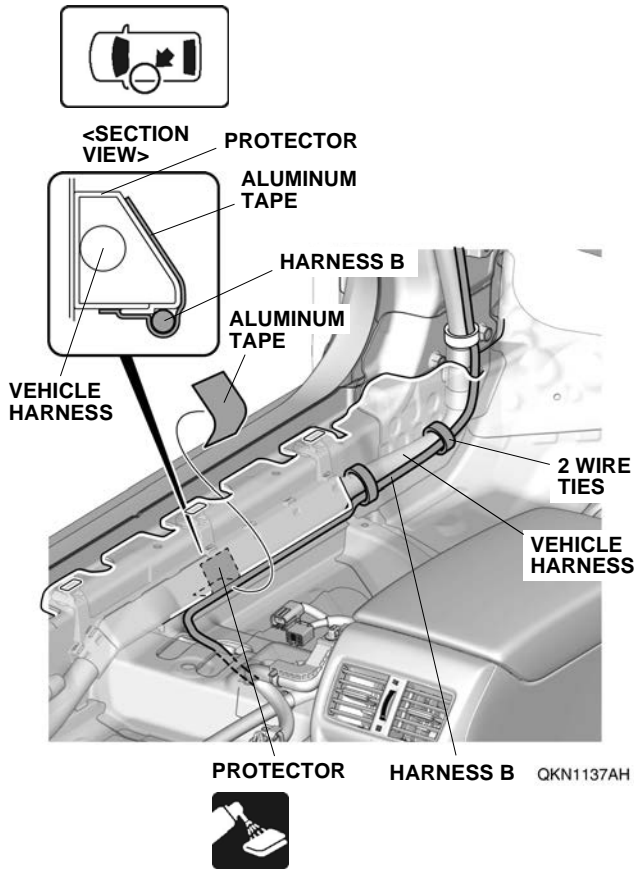
137. Route the harness B.



138. Secure the harness B.

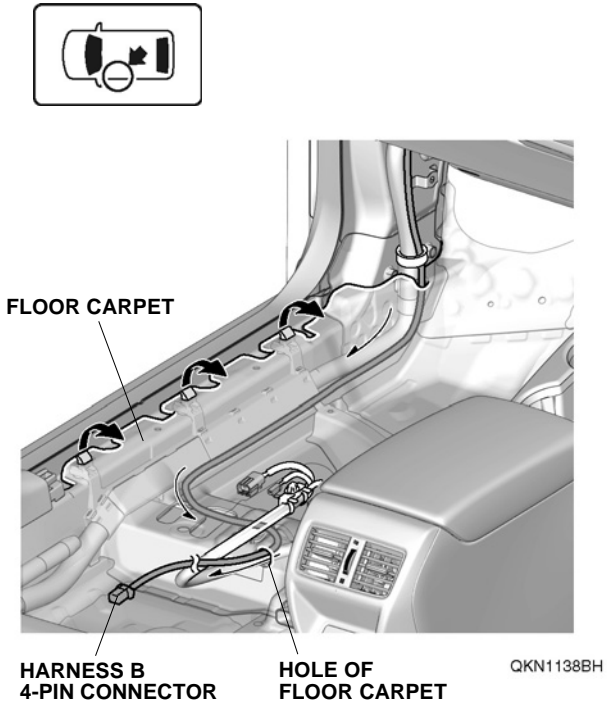


139. Secure the harness B.

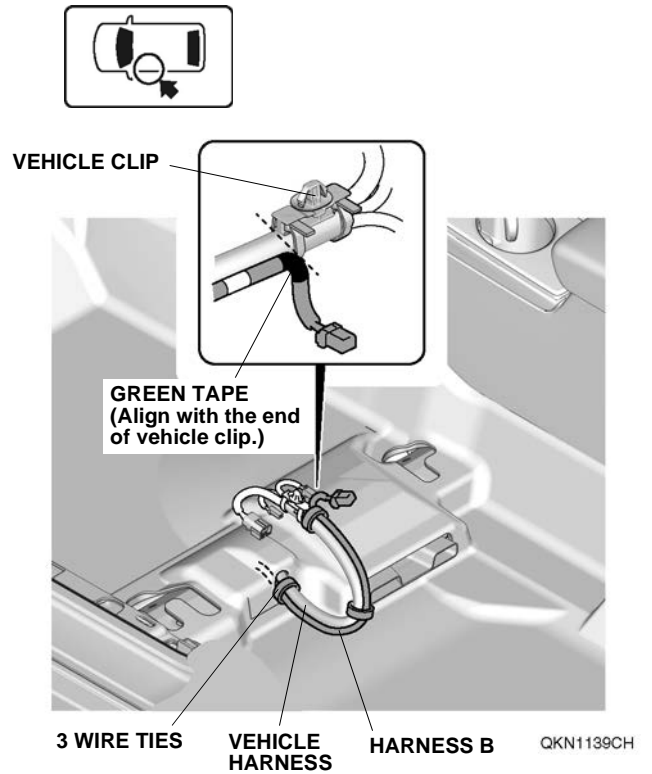


To step 143

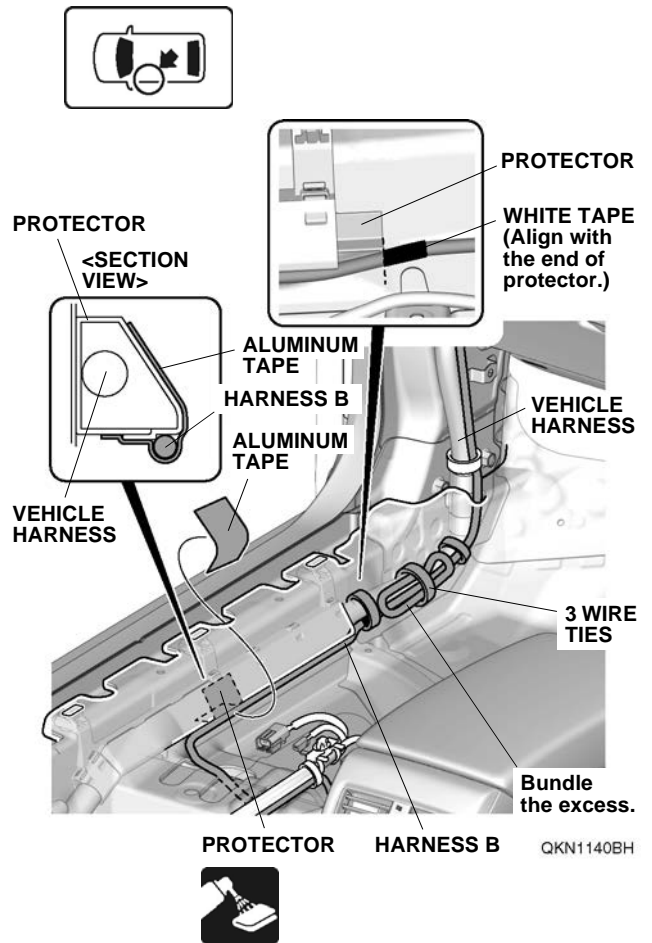
140. Route the harness B.



141. Secure the harness B.



142. Secure the harness B.

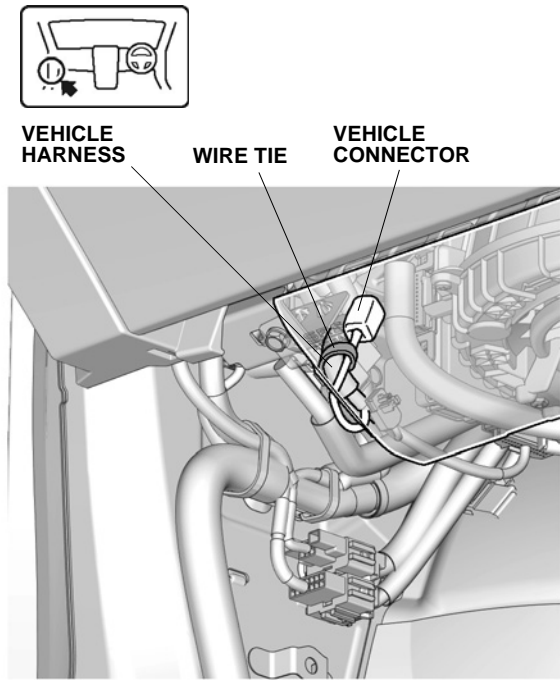


Installing the Lights (RHD)

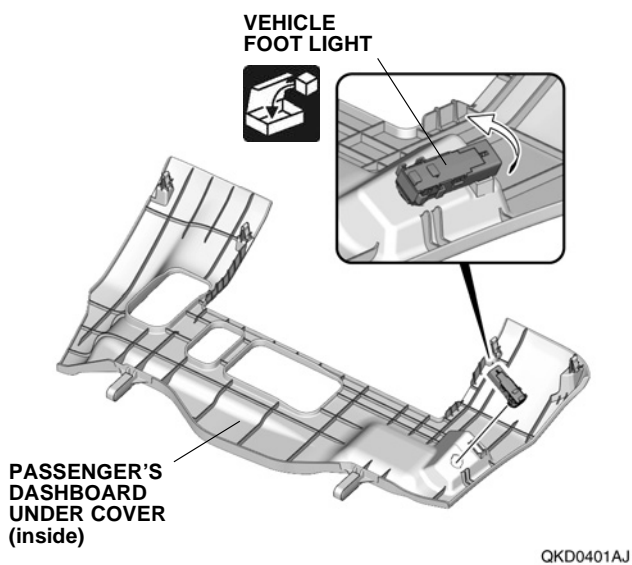
143. Follow the below guidance.

• With vehicle foot light	To step 144
• Without vehicle foot light	To step 146

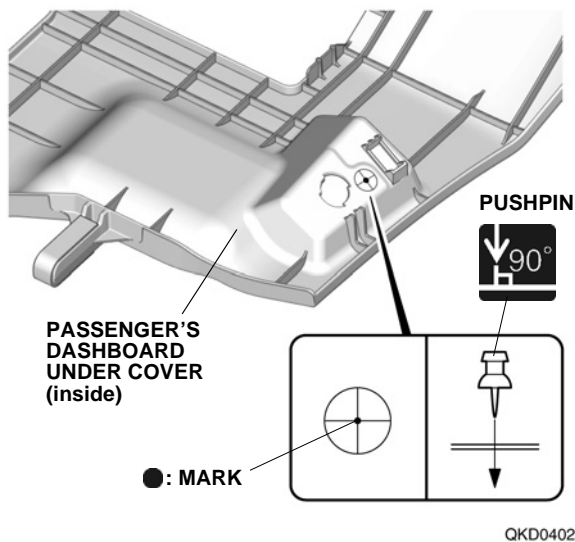
144. Secure the vehicle connector.



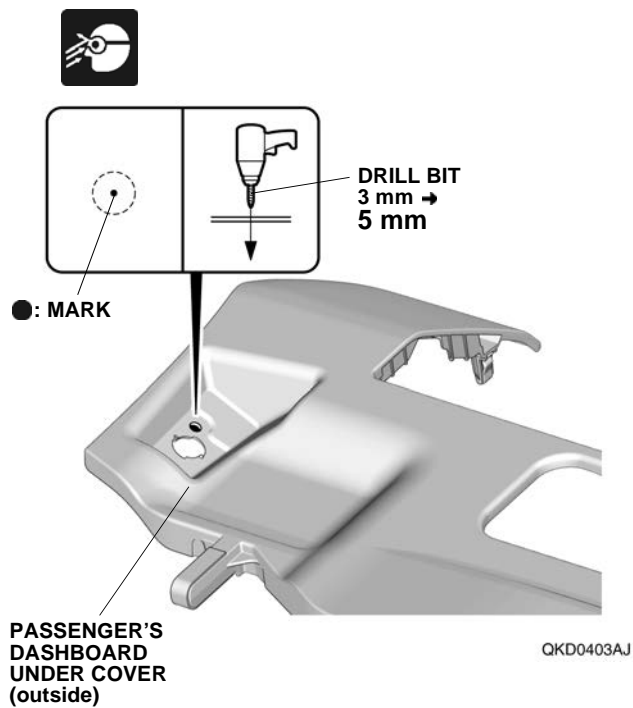
145. Remove the vehicle foot light.



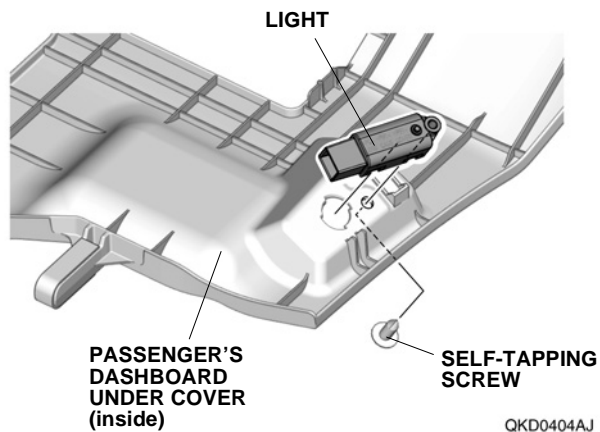
146. Mark the passenger's dashboard under cover.



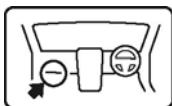
147. Drill the passenger's dashboard under cover.



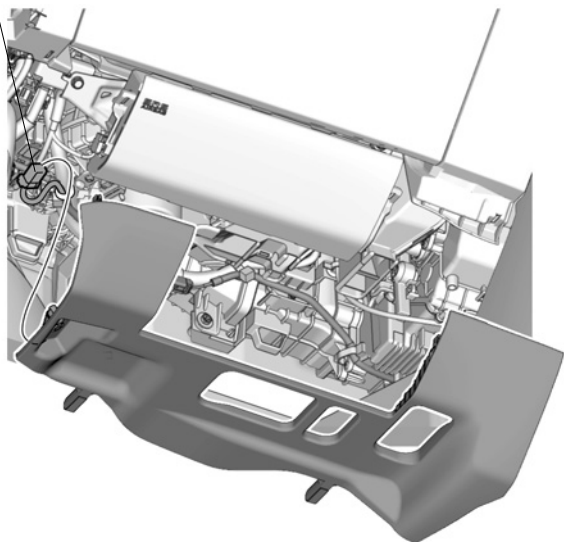
148. Install the light.



- 149. Connect the harness B connector.
- 150. Reinstall the passenger's dashboard under cover.



**HARNESS B
4-PIN
CONNECTOR**

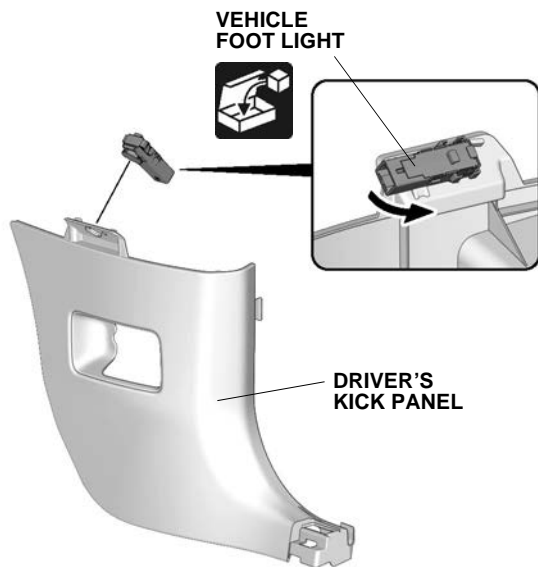


QKN1142AH

151. Follow the below guidance.

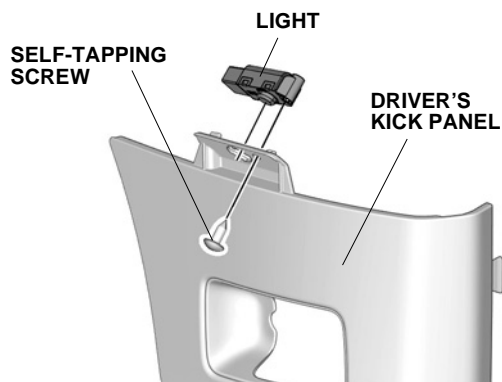
- | | |
|------------------------------|-------------|
| • With vehicle foot light | To step 152 |
| • Without vehicle foot light | To step 153 |

152. Remove the vehicle foot light.



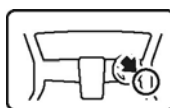
QK70625AT

153. Install the light.

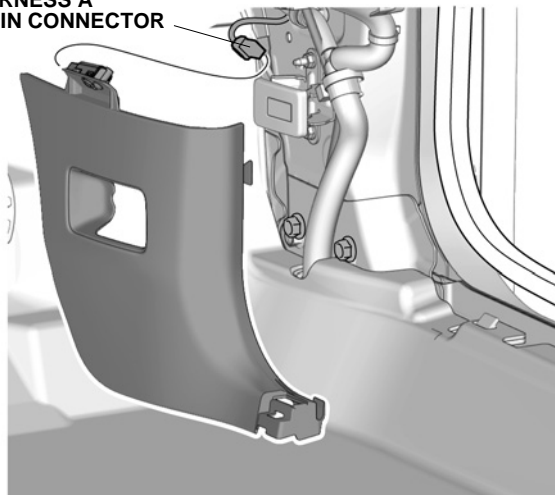


QK70626AT

- 154. Connect the harness A connector.
- 155. Reinstall the driver's kick panel.



**HARNESS A
4-PIN CONNECTOR**

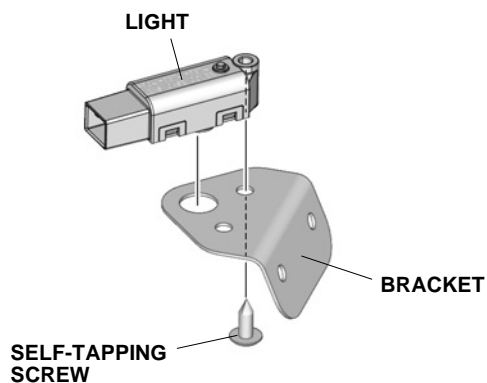


QKN1143AH

156. Install the light.

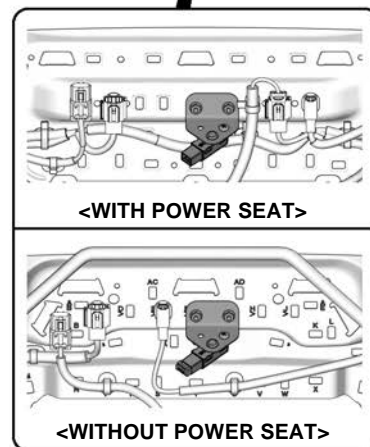
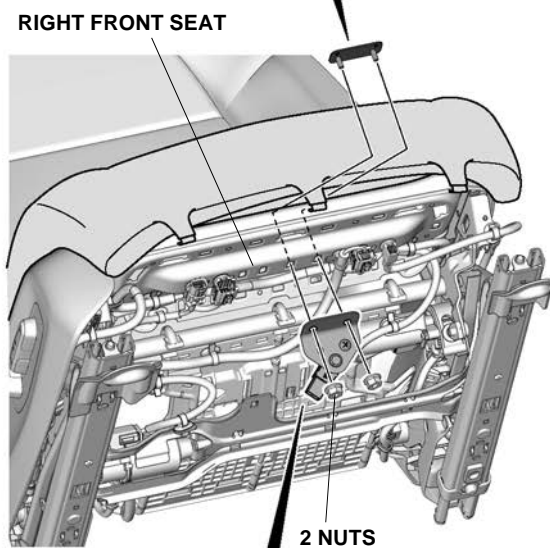
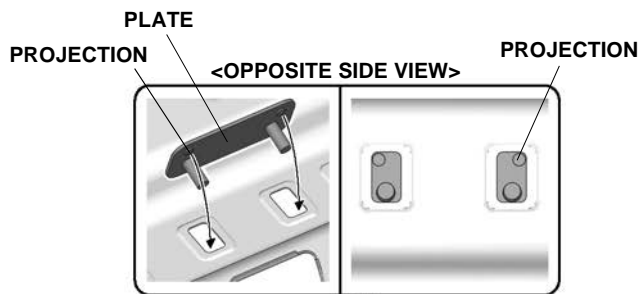
NOTICE

- Make sure to install the light in the correct orientation.



QKD0405AJ

157. Secure the bracket.



QKN1144DH

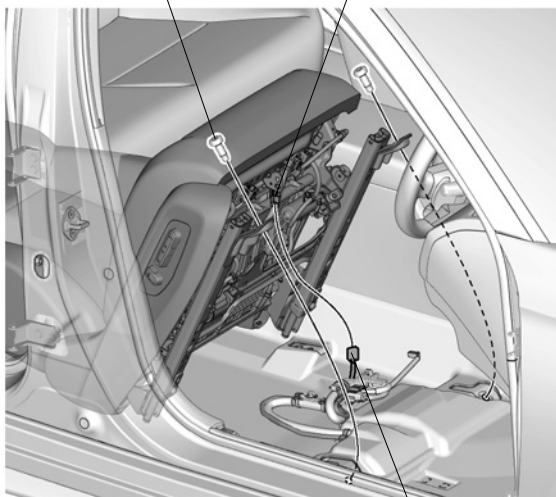
- 158. Reinstall the vehicle clip, right seat cushion, and vehicle connector removed in steps 111 through 113.
- 159. Connect the harness A connector.
- 160. Secure the right front seat.

2 BOLTS



31.4-55.0 N·m
(3.2-5.6 kgf·m,
23-41 lbf·ft)

LIGHT

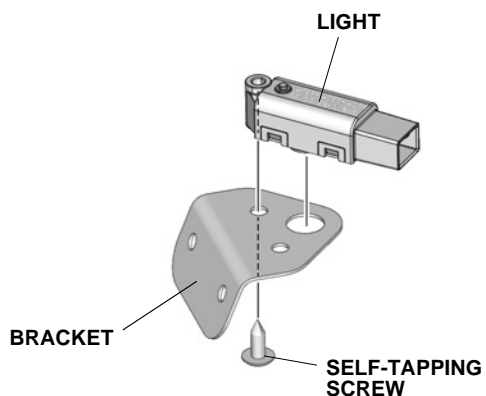


HARNESS A QKN1145BH
4-PIN
CONNECTOR

- 161. Install the light.

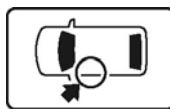
NOTICE

- Make sure to install the light in the correct orientation.



QKN1147AH

- 162. Secure the bracket.

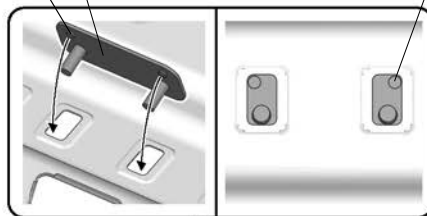


PLATE

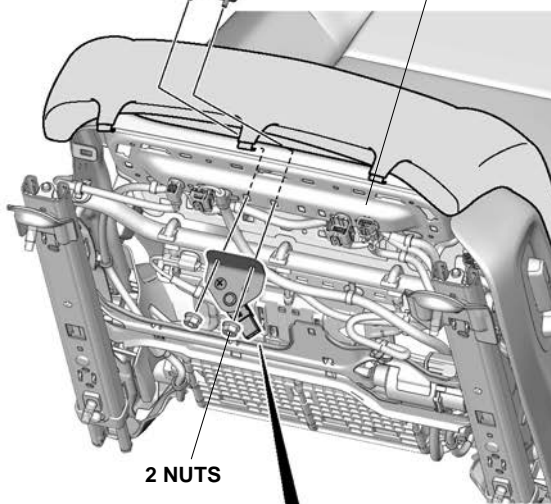
PROJECTION

<OPPOSITE SIDE VIEW>

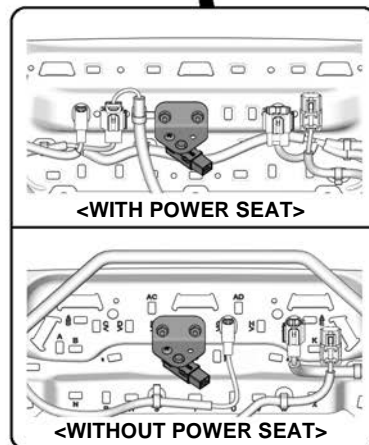
PROJECTION



LEFT FRONT SEAT

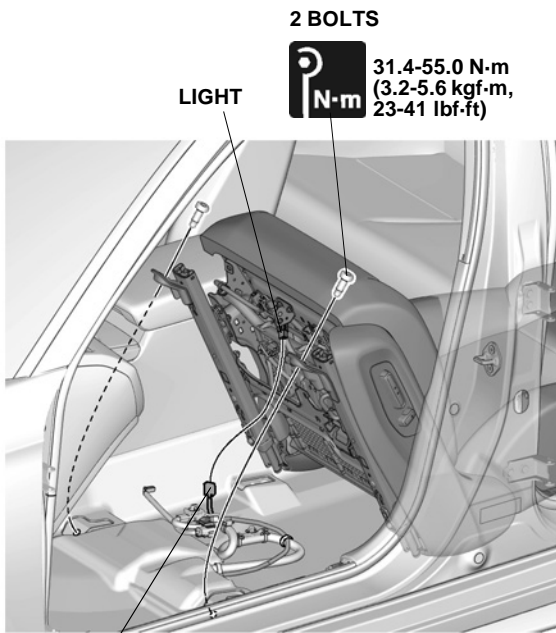


2 NUTS



QKN1149CH

- 163. Reinstall the vehicle clip, left seat cushion, and vehicle connector removed in steps 133 through 135.
- 164. Connect the harness B connector.
- 165. Secure the left front seat.



2 BOLTS
P
N-m
 31.4-55.0 N-m
 (3.2-5.6 kgf-m,
 23-41 lbf-ft)

LIGHT

**HARNESS B
 4-PIN CONNECTOR**

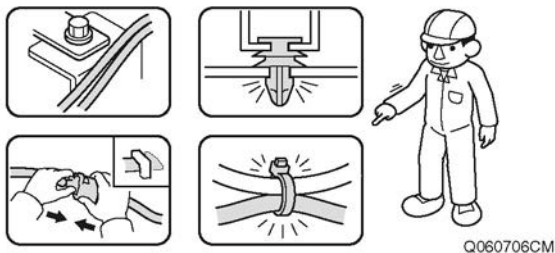
QKN1150BH

Check After Installation

- 166. Check that all parts are routed and installed properly.

NOTICE

- Check that the harnesses are not pushed, not pulled and not pinched.
- Check that all clamps and wire ties are installed securely.



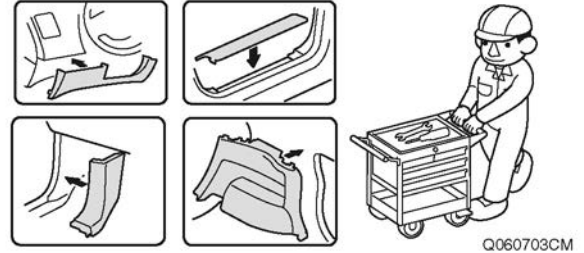
Q060706CM

Reinstalling the All Removed Parts

- 167. Reinstall all removed parts except for the bolts removed in step 1.

NOTICE

- Be extremely careful not to damage the vehicle parts, pinch the harnesses.
- Make sure to secure the retaining tabs and clips properly to avoid separation.



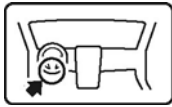
Q060703CM

<Installing the Driver's Knee Airbag>

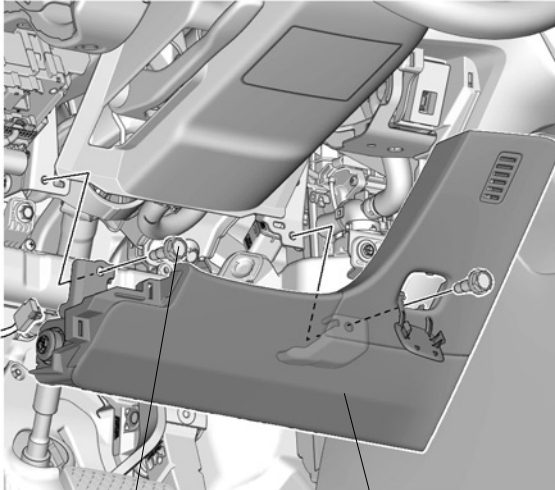
168. Reinstall the driver's knee airbag.

NOTICE

- Make sure to replace with the bolt included in this kit.



<LHD models>



2 BOLTS
(supplied)

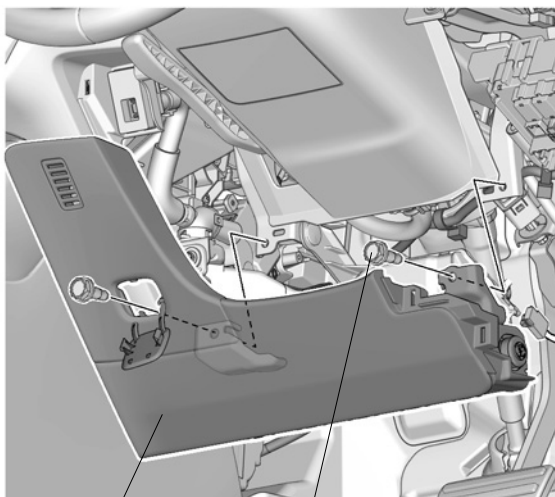
N·m 6.9-14.4 N·m
(0.7-1.5 kgf·m,
5.1-11 lbf·ft)

DRIVER'S
KNEE AIRBAG

QL00507AT



<RHD models>



DRIVER'S
KNEE AIRBAG

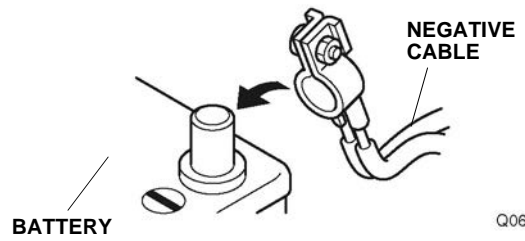
2 BOLTS
(supplied)

N·m 6.9-14.4 N·m
(0.7-1.5 kgf·m,
5.1-11 lbf·ft)

QKN1214AH

Operation Check

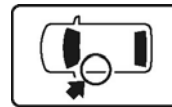
169. Reconnect the negative cable to the battery.



Q060702BM

170. Turn the engine switch (power switch) to ON; the SRS indicator should come on for about 6 seconds and then go off.

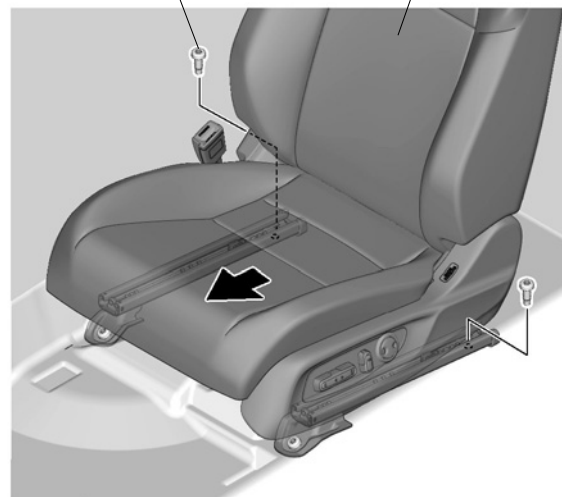
171. Reinstall the vehicle bolts removed in step 1.



2 BOLTS

N·m 31.4-55.0 N·m
(3.2-5.6 kgf·m,
23-41 lbf·ft)

LEFT
FRONT SEAT



QL00602AT

172. Repeat step 171 on the other side.

173. Check that the light comes on by opening a door.

174. Check that the lights are dimmed and turned while the position lights and the headlights are on.

Vehicle Check

175. Check that the electric accessories and systems operate properly.
176. Press and hold the audio power button for two seconds, or enter anti-theft code for the audio/navigation system.
177. Reset the memory of each equipment and restore the positions of those control knobs.

