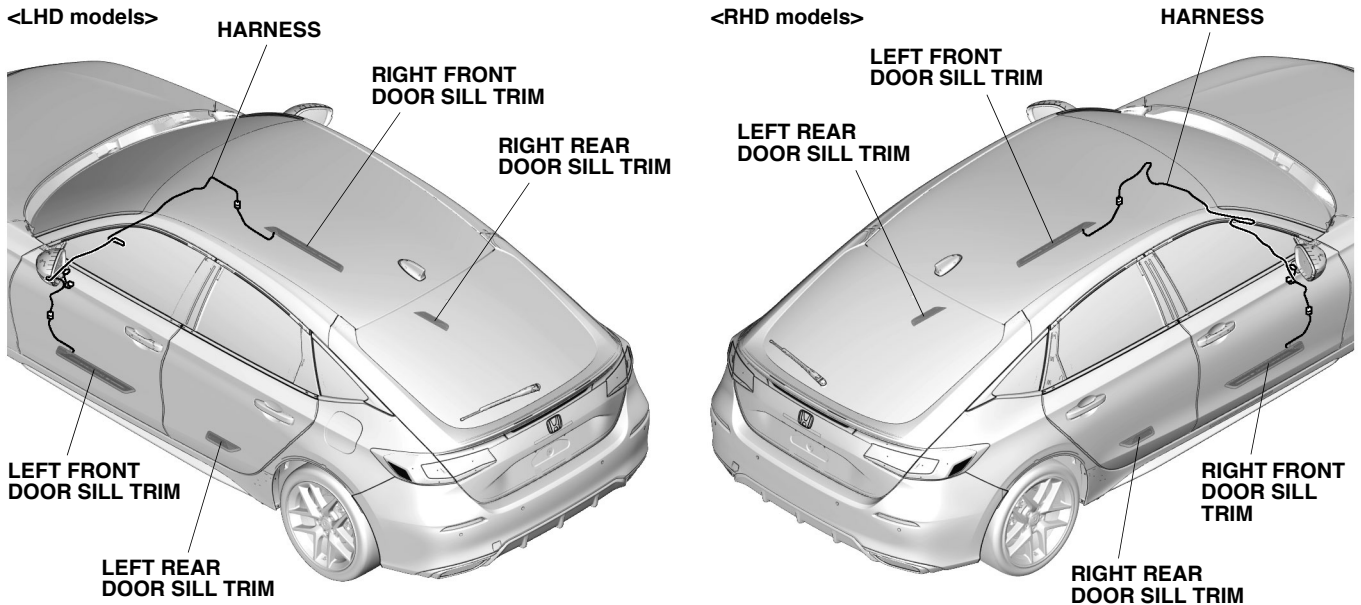


### STEP ILLUMINATORS

*CIVIC*

## GENERAL VIEW



## FOR YOUR SAFETY (Read carefully)

### Introduction of Symbol Messages

- These symbols warn you about the possible hazards and explain how to avoid them. The symbols also provide you with some advice.

**⚠ DANGER**

You will be killed or seriously hurt if you do not follow the instructions.

**⚠ WARNING**

You may be killed or seriously hurt if you do not follow the instructions.

**⚠ CAUTION**

You may be hurt if you do not follow the instructions.

**NOTICE**

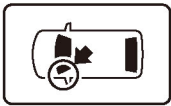
Gives advice to prevent damage to the product.  
Gives helpful information or instructions to be followed in using the product.



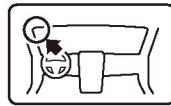
Indicates prohibited actions.

## Introduction of Icons

- These icons indicate the working place and the worker's viewing angle.



The place for the vehicle.



The place for the instrument panel.

- These icons indicate the necessary actions that need to be taken to ensure your safety and the success of the work.



Wear eye protection.



Wear heavy gloves.



Work with an assistant.



Place the part on a blanket.



Remove any burrs.



Use the touch-up paint and dry.



Keep the parts and give them to the customer. (Do not use)



Press firmly.



Tighten by the specified torque.

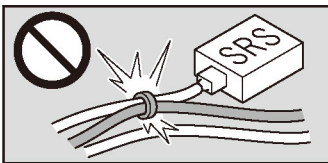


Work perpendicularly.

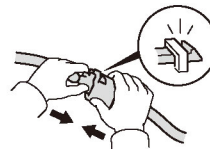


Clean with the contact cleaner.

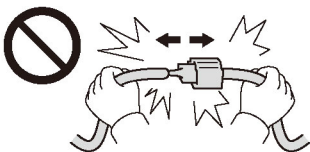
## Wire Harness Routing Precaution



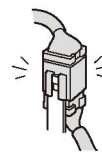
Do not clamp the accessory harness and SRS harness together.



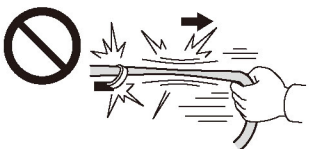
Connect the connectors and terminals securely until they lock.



Do not pull the harness to disconnect the connectors.



Reinstall the connectors to their original positions if they were removed.



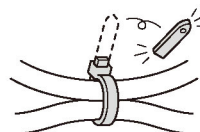
Do not pull the harness strongly.



Secure the accessory harness to the specified position so that the accessory harness does not hang down.



Do not pinch the harness with the parts.



Cut off the excess from the wire ties.

## Safety: General

- Follow all safety information and precautions described in the workshop manual in addition to those described in these installation instructions. Most importantly, take extreme care to ensure your own safety and the safety of others.
- Be careful not to damage the vehicle and the parts.
- Be extremely careful when you handle the retaining tabs and clips.
- Note the locations of the parts before removing them so that they can be reinstalled in their original positions properly.
- The illustrations may differ a little from the actual accessories for the design change of the vehicle.

## Safety: For Electric Parts

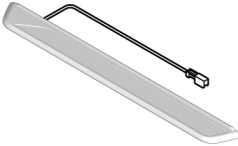



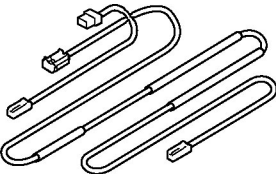
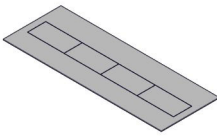

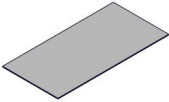
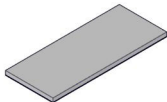
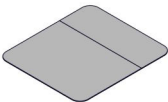
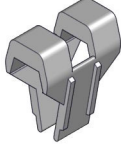


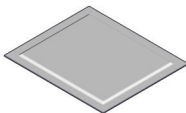

- Do not install the accessories if the negative cable of the battery is connected.

## Safety: For the Accessory

- **Always use the parts and tools specified in the installation instructions.**
- **Do not carry out any installation or attachment work in an area that receives direct sunlight or in an area where dust is present.**
- **Always install these accessories at the ambient air temperature 15°C (60°F) or above.**
- **Heat the accessories and bonding surfaces if the ambient air temperature is below 15°C (60°F).**
- **Attach the accessories by pressing them firmly with the palm of your hand. Be careful not to damage the accessories and the vehicle parts.**
- **Carefully place the double-sided adhesive tape in the proper position. Once the double-sided adhesive tape touches the surface, do not try to detach and relocate the tape. If you attempt to move the tape after it comes into contact with the surface, you will damage the part before the adhesive can be detached.**
- **Do not wash the vehicle for 24 hours to allow the adhesive to cure.**

# PARTS LIST

## Step Illuminator Kit

Left front door sill trim (Identification mark: L)	Right front door sill trim (Identification mark: R)	Left rear door sill trim (Identification mark: L)	Right rear door sill trim (Identification mark: R)
			
Harness	Fuse label	Wire ties (16) <b>(Some may not be used)</b>	Aluminium tape (3) <b>(Some may not be used)</b>
			
Urethane tape	Protective tape (2)	Protective clips (2)	Wire tie with clip A
			
Wire ties with clip B (2) <b>(Some may not be used)</b>	Cleaners (2)	Bolts (2)	
			

## TOOLS AND SUPPLIES REQUIRED

- Torque wrench
- Masking tape
- Contact cleaner
- Ratchet
- Steel wire
- 10mm open end wrench
- Scissors
- Shop towel
- 10mm socket
- Tape
- Ruler
- Nippers
- Handy remover
- Electrical tape



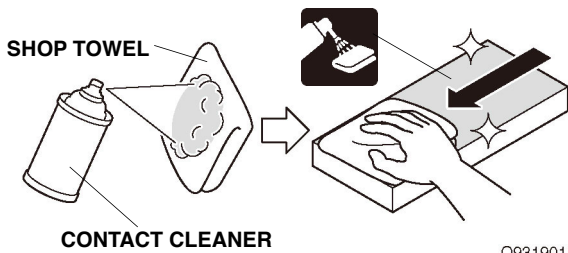
# INSTALLATION

## How to Use the Contact Cleaner

- Using contact cleaner on a shop towel, thoroughly clean the areas where the accessories will be attached.

### NOTICE

- Always use the contact cleaner.
- Do not apply the cleaner to the object of the work directly.
- Allow the cleaned areas to dry completely before beginning attachment work.



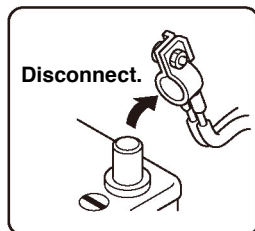
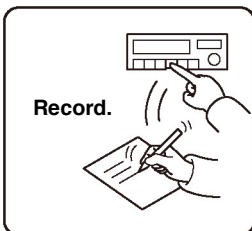
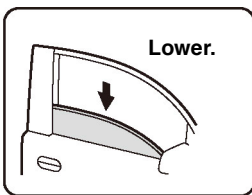
Q931901DW

## Disconnecting the Battery Cable

- Perform the work before you disconnect the negative cable from the battery as shown below.
- Make sure that you have the anti-theft code for the audio/navigation system. Record some settings of the vehicle if necessary.
- Disconnect the negative cable from the battery.

### NOTICE

- For hybrid vehicles, ensure that the negative cable is not disconnected from the battery for three minutes after turning the power switch to OFF.



QCD0502BM

- Follow the below guidance.

- LHD models

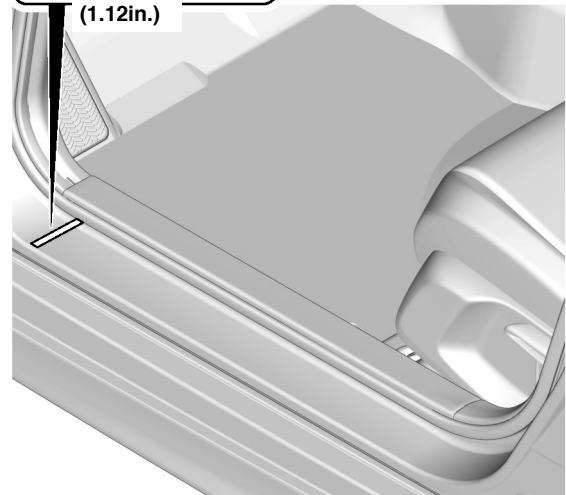
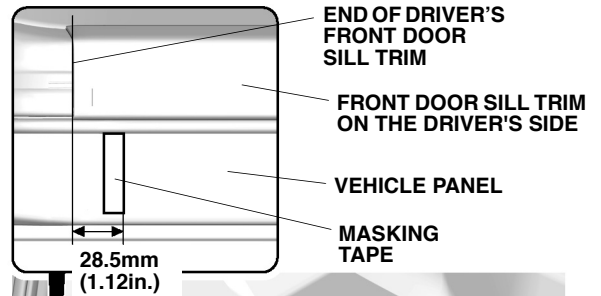
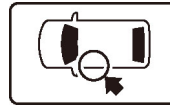
To step 5

- RHD models

To step 49

## Before Installing (LHD)

- Attach the masking tape.

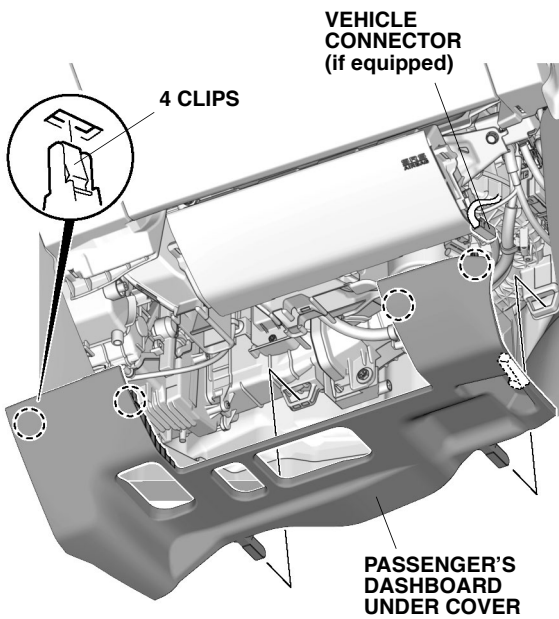


QK30202AR

- Repeat step 5 on the other side.

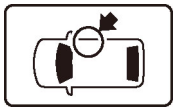
## Removing the Vehicle Parts (LHD)

7. Remove the passenger's dashboard under cover.

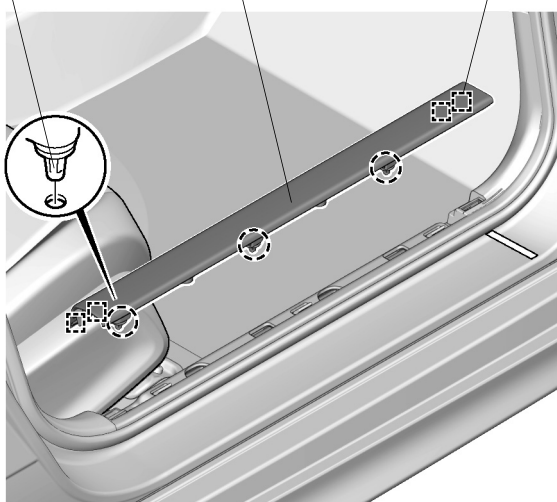


QL00508AT

8. Remove the sill trim from the front passenger-side door.

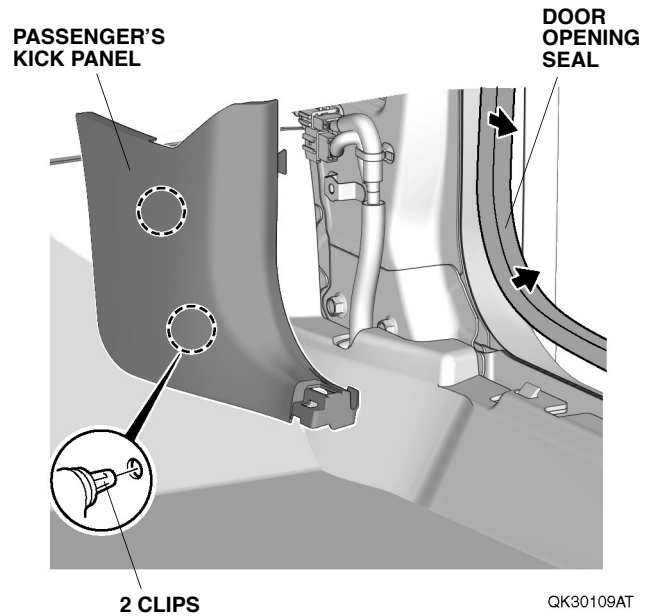
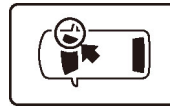


3 CLIPS      SILL TRIM OF THE FRONT PASSENGER-SIDE DOOR      4 RETAINING TABS



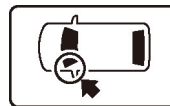
QK30204AR

9. Remove the passenger's kick panel.

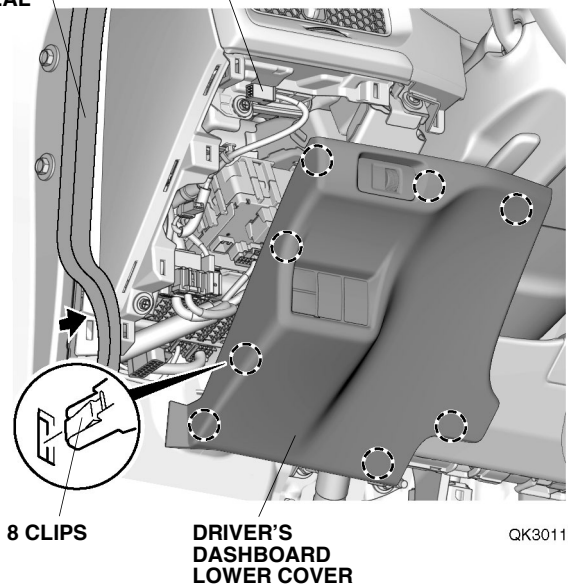


QK30109AT

10. Remove the driver's dashboard lower cover.



DOOR OPENING SEAL      VEHICLE CONNECTORS



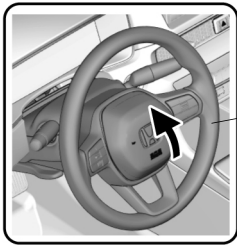
DRIVER'S DASHBOARD LOWER COVER

QK30115AT

11. Fix the tilt lever of the column in the top position.
12. Attach the tape to protect the vehicle.

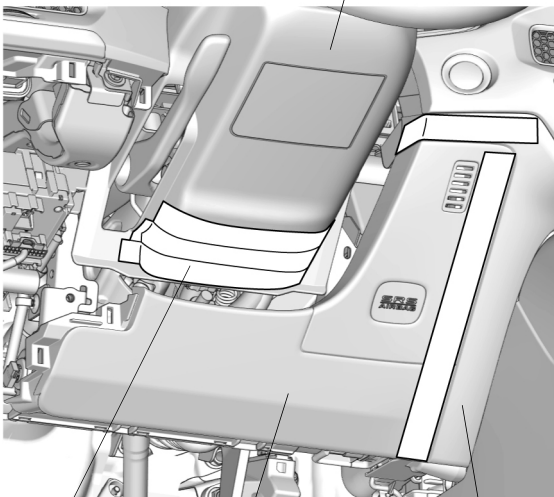
### NOTICE

- Do not remove the tape until after the reinstallation.



STEERING WHEEL

LOWER COLUMN COVER



TAPE

DRIVER'S KNEE AIRBAG

INSTRUMENT PANEL

QL32501AH

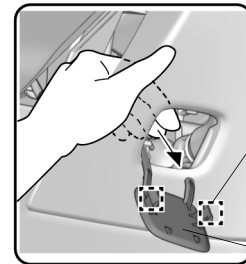
13. Remove the driver's knee airbag.

### CAUTION

- Wait for at least three minutes after you disconnect the negative cable from the battery before you start work.
- Do not drop the removed knee airbag or hit it with an object.
- Place the removed knee airbag in a safe place with the pad surface (top) facing upwards.

### NOTICE

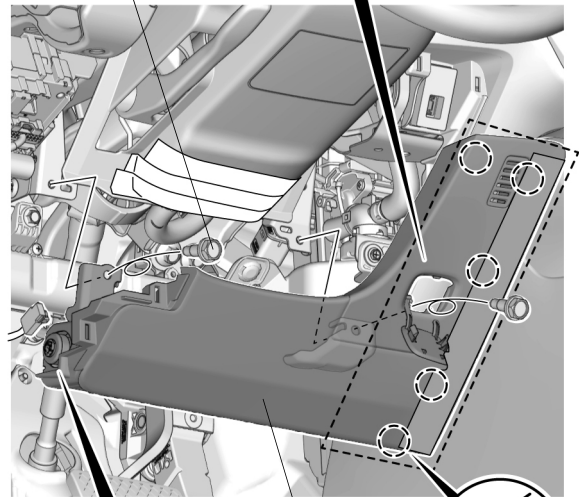
- Release the clip shown inside the dotted lines in the diagram below by pulling it down.



2 BOLTS (Do not reuse)

2 RETAINING TABS

CAP



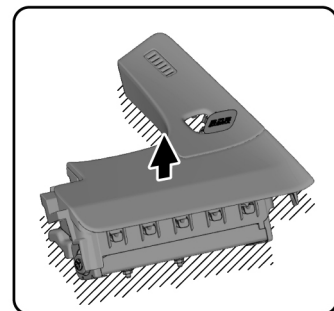
2 RETAINING TABS

DRIVER'S KNEE AIRBAG

AIRBAG

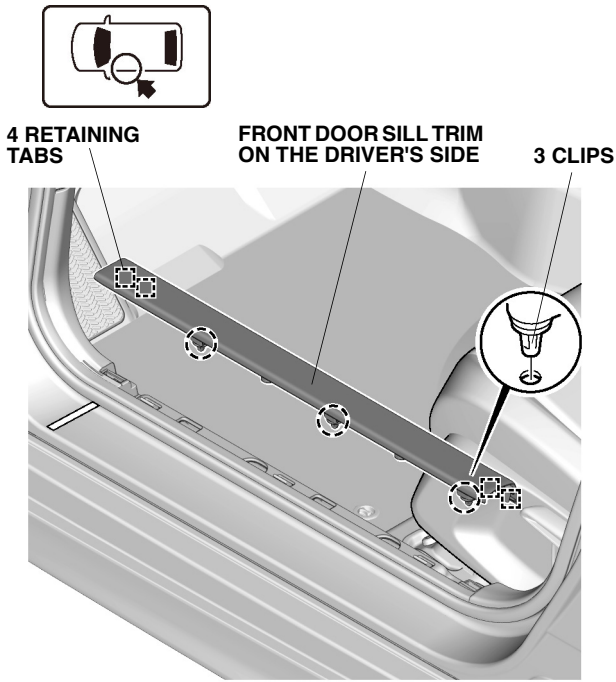
5 CLIPS

VEHICLE CONNECTOR

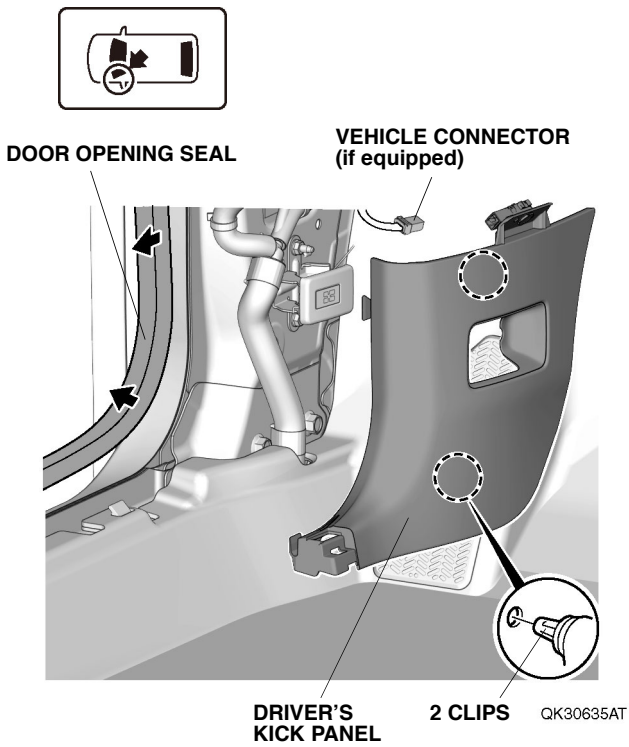


QK30117BT

14. Remove the front door sill trim on the driver's side.



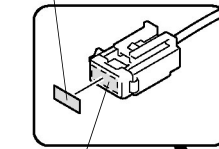
15. Remove the driver's kick panel.



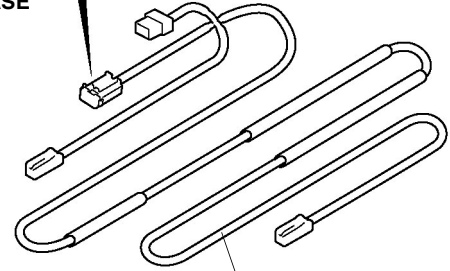
## Routing the Harness (LHD)

16. Attach the fuse label.

FUSE LABEL (2A STEP ILLUM)



FUSE CASE

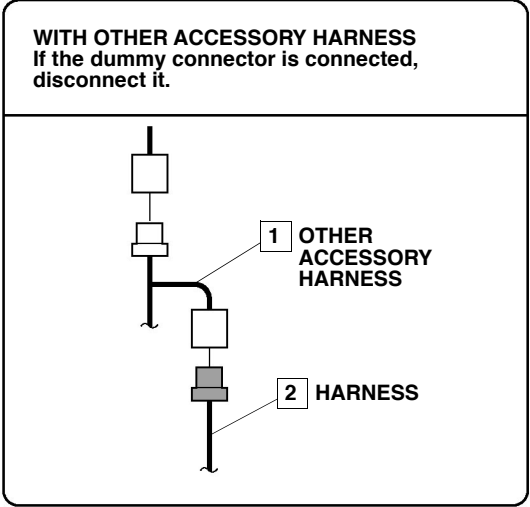
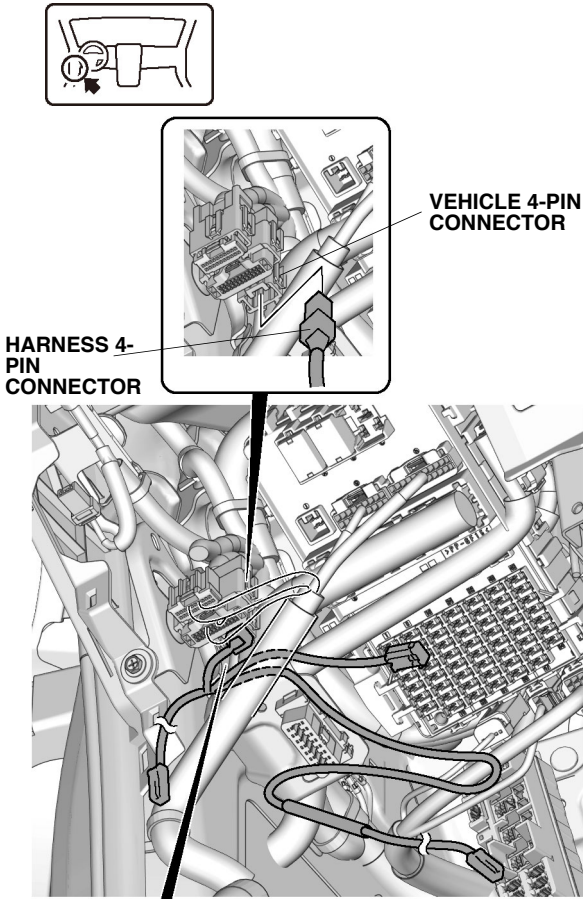


HARNESS

QK70302AT

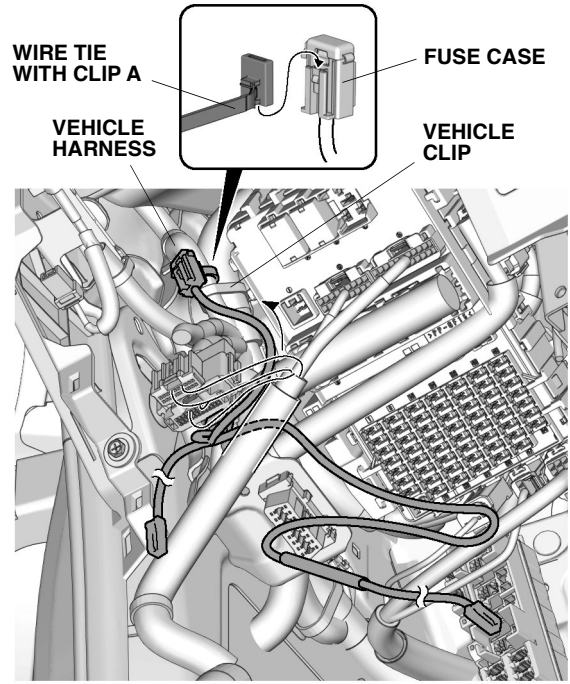


17. Connect the harness connector.



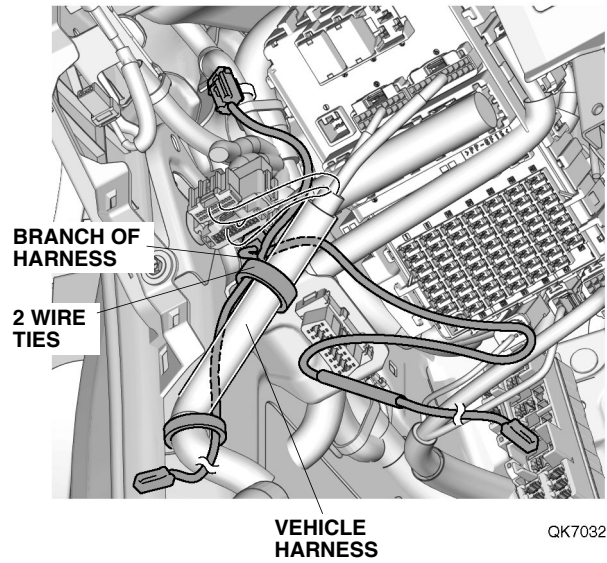
QK70303BT

18. Attach the fuse case.



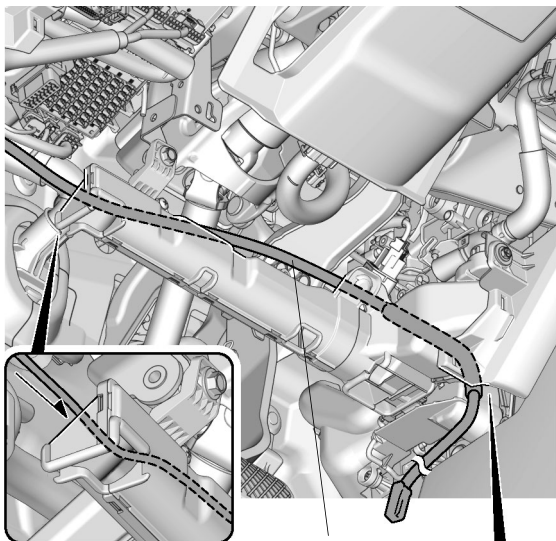
QK70320AT

19. Secure the harness.

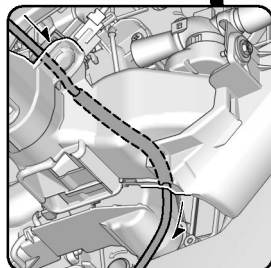


QK70321AT

20. Route the harness.

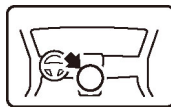


**HARNESS**

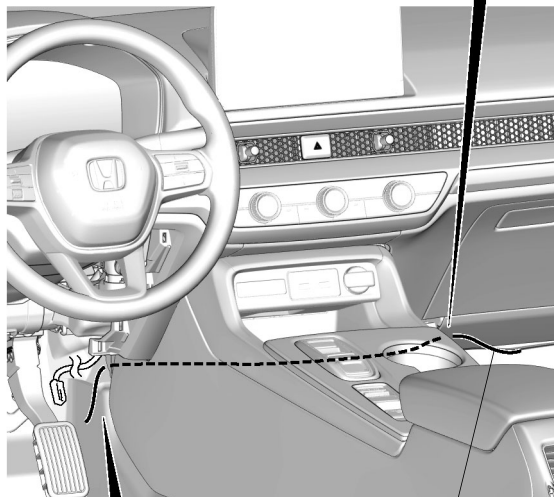
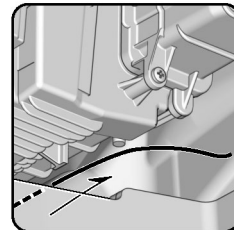


QK70304BT

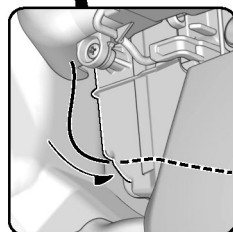
21. Route the steel wire.



**<OPPOSITE SIDE VIEW>**

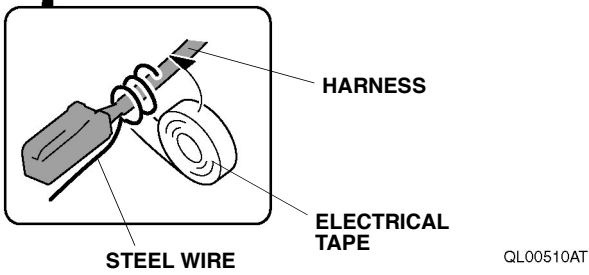
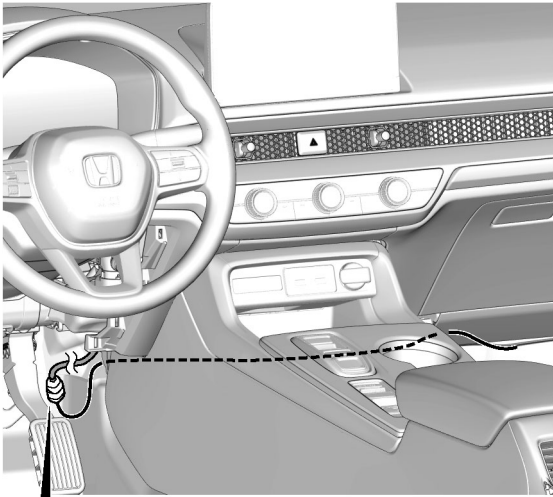


**STEEL WIRE**

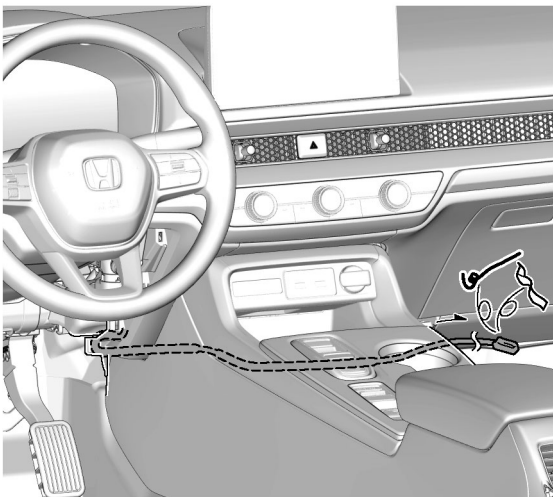


QL00509AT

22. Attach the steel wire.



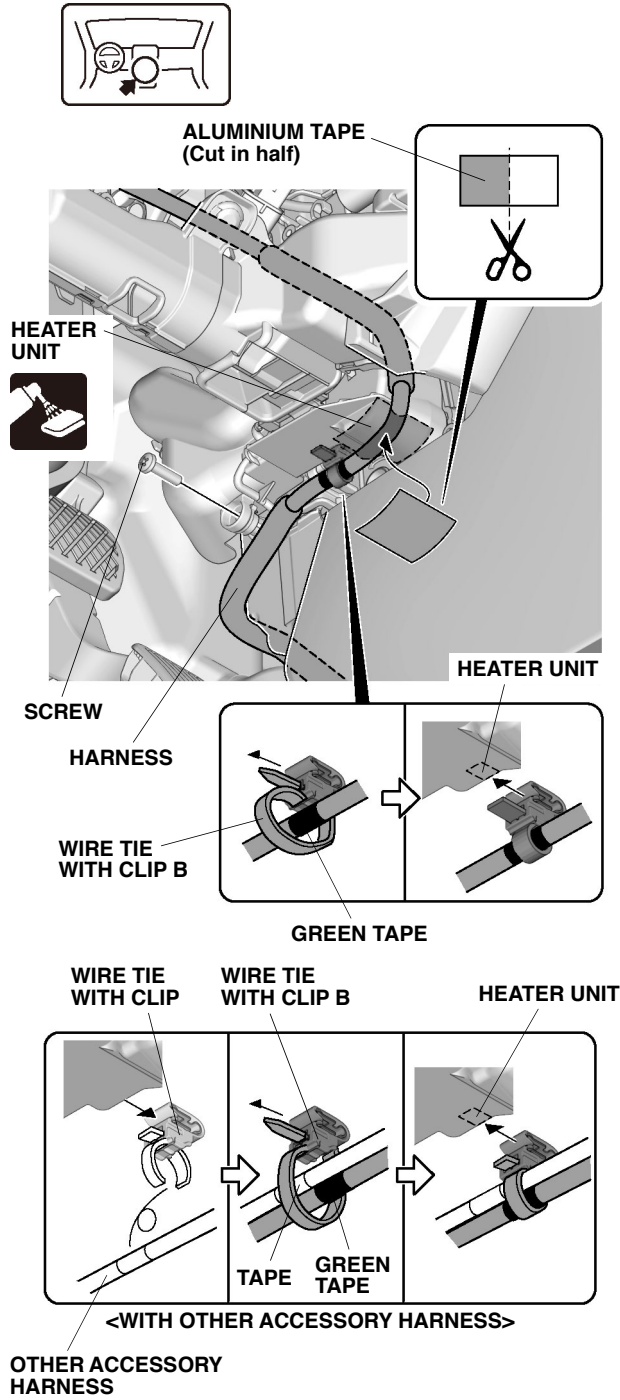
23. Route the harness.  
24. Remove the steel wire.



25. Remove the screw.  
26. Secure the harness.

**NOTICE**

- Make sure to install the wire tie with clip in the correct orientation.
- Be careful not to damage the other accessory harness.



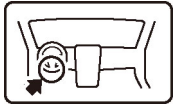
27. Reinstall the screw.



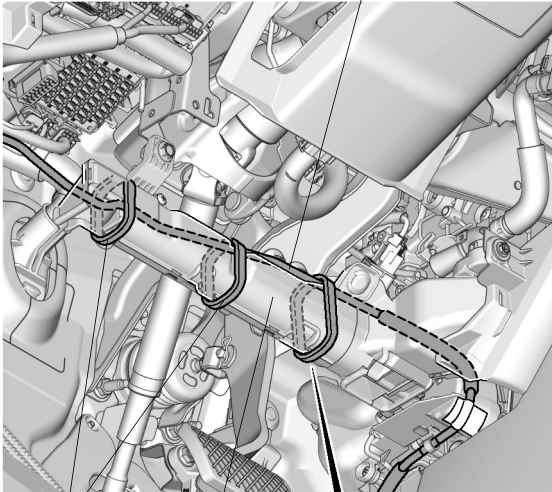
28. Secure the harness.

**NOTICE**

- Do not cover the air-conditioner opening.

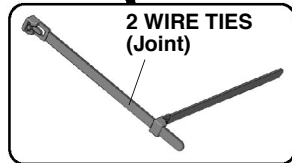


**HARNESS**



**2 WIRE TIES**

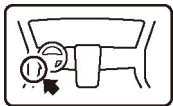
**VEHICLE DUCT**



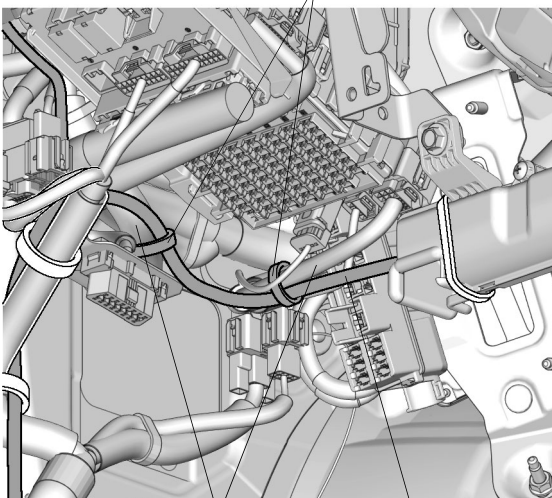
**2 WIRE TIES (Joint)**

QL00540AT

29. Secure the harness.



**2 WIRE TIES**

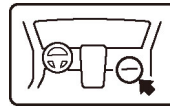


**VEHICLE HARNESS**

**HARNESS**

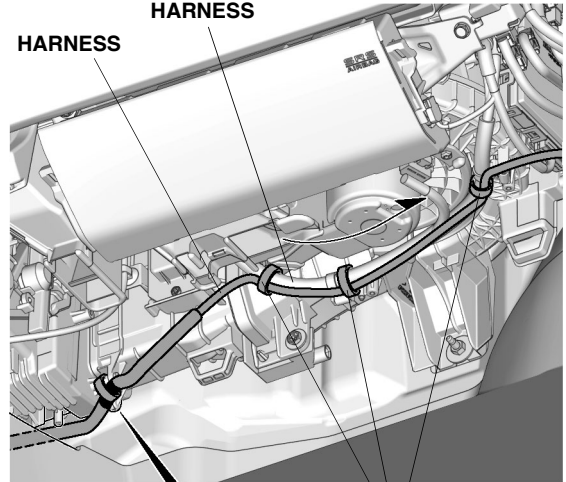
QK70310AT

30. Secure the harness.



**VEHICLE HARNESS**

**HARNESS**



**HEATER UNIT**

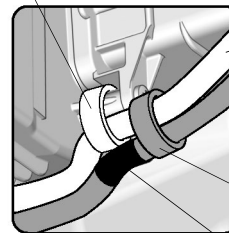
**3 WIRE TIES**

**GREEN TAPE (Align with the heater unit)**

**OTHER ACCESSORY WIRE TIE**

**WIRE TIE**

**OTHER ACCESSORY HARNESS**



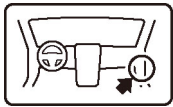
**WIRE TIE**

**<WITH OTHER ACCESSORY HARNESS>**

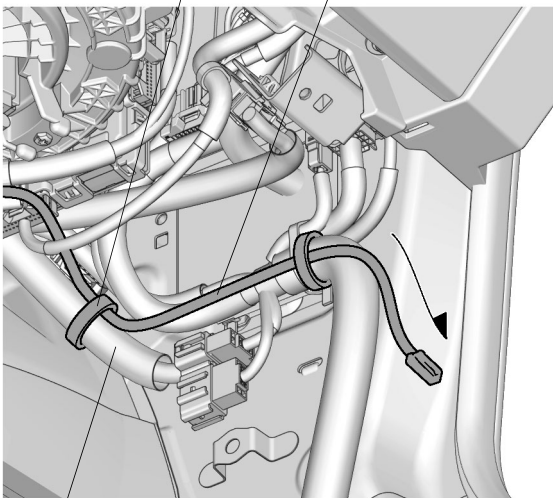
**GREEN TAPE (Align with the other accessory wire tie)**

QL00502AT

31. Secure the harness.



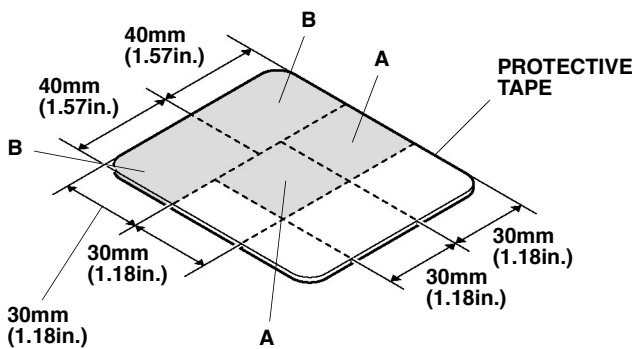
2 WIRE TIES      HARNESS



VEHICLE HARNESS

QK70312AT

32. Cut the protective tape.

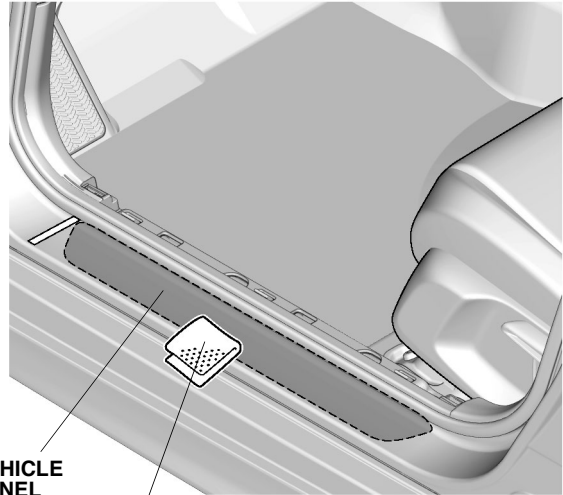
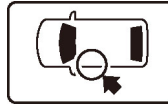


QE22410AH

33. Clean the attaching area.

**NOTICE**

- Allow to dry thoroughly.



VEHICLE PANEL

CLEANER

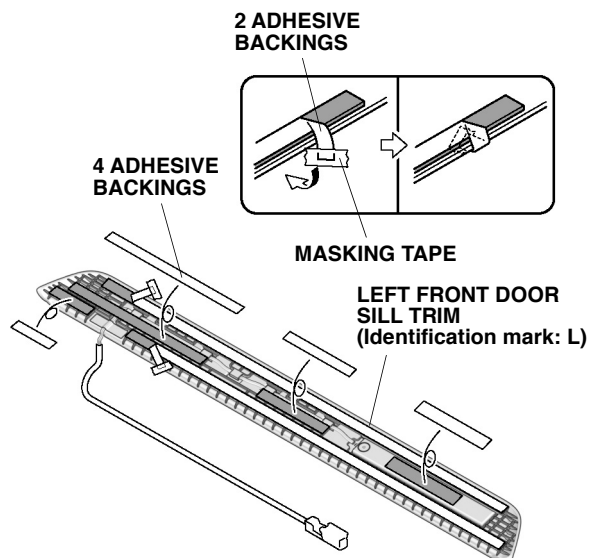
QL00503AT

34. Temporarily attach the adhesive backings.

**NOTICE**

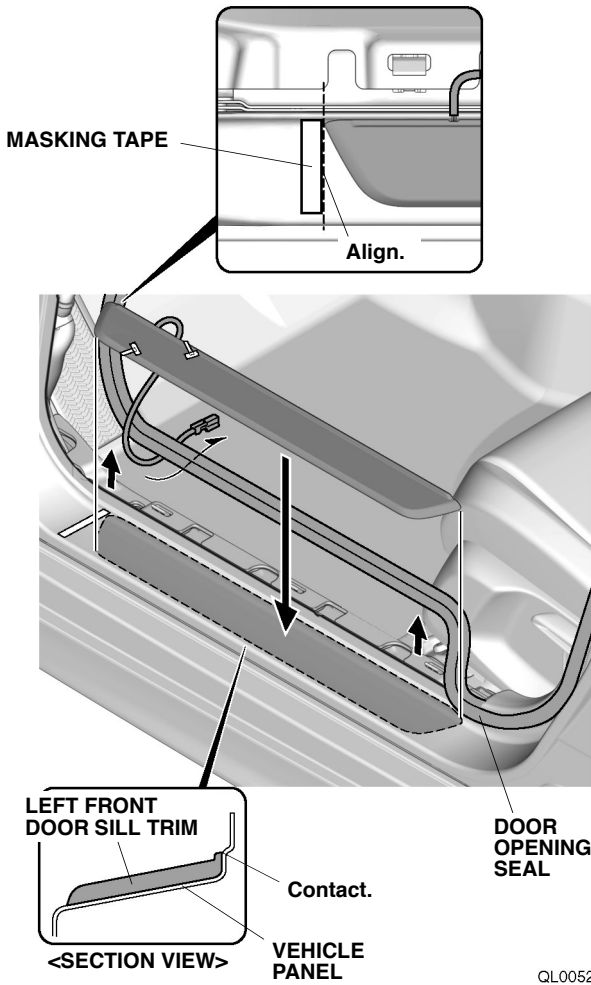
- Make sure to check the shape (scribe mark) before installation.

35. Remove the adhesive backings.



QK30219AR

36. Align the left front door sill trim.

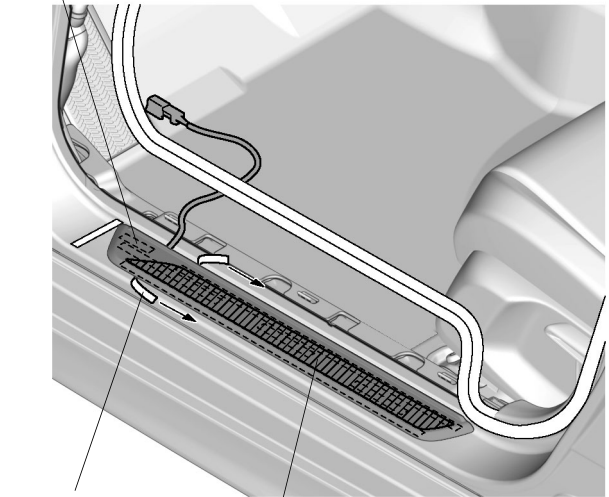


37. Secure the left front door sill trim.

### NOTICE

- Check the position of the pieces of double-sided adhesive tape and press firmly.

6 PIECES OF DOUBLE-SIDED ADHESIVE TAPE



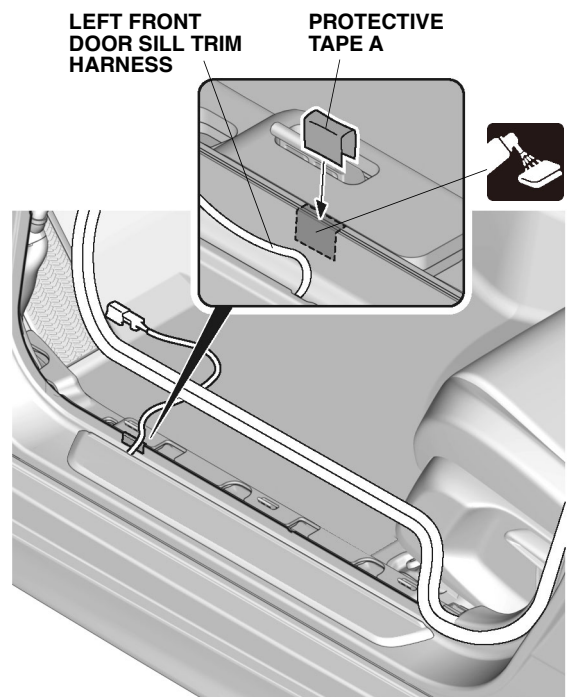
2 ADHESIVE BACKINGS

Do not apply firm pressure on the plate.

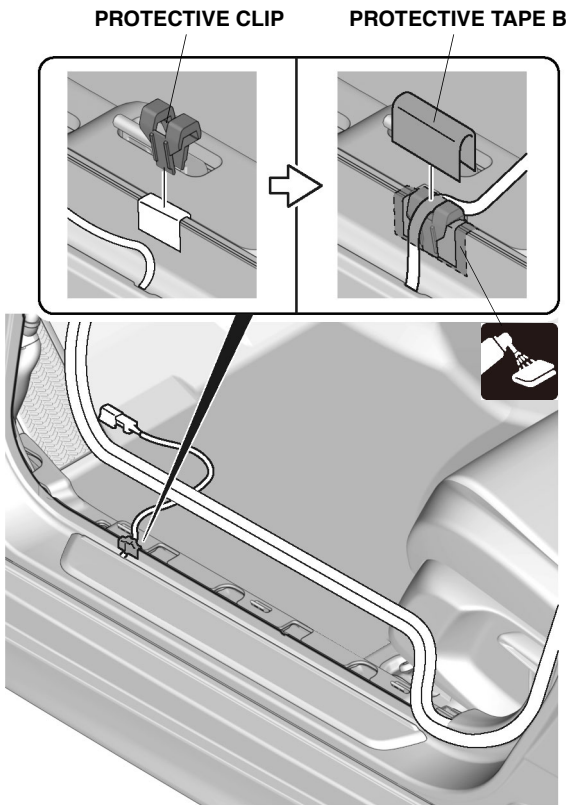
QM40305AT

38. Remove the masking tape.

39. Attach the protective tape A.

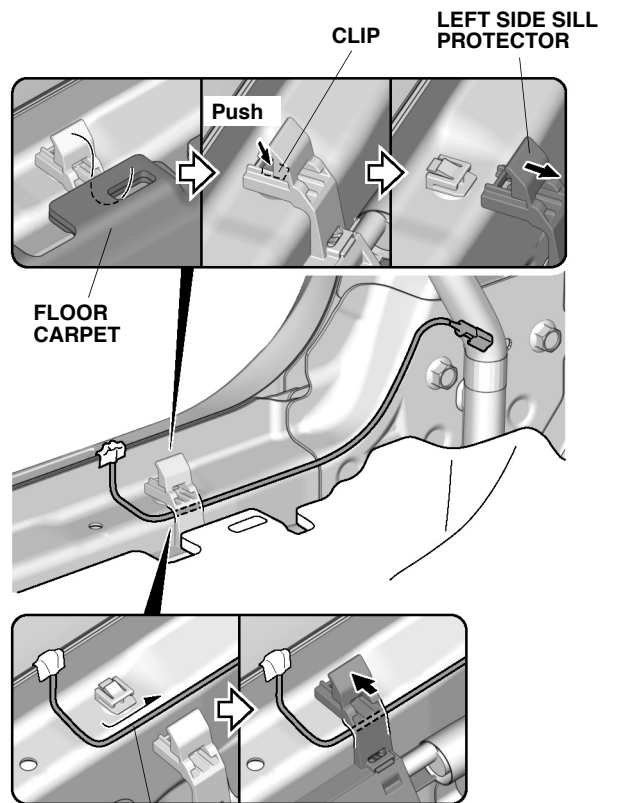
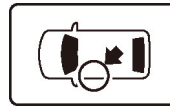


- 40. Install the protective clip.
- 41. Secure the left front door sill trim harness.



QL00523AT

- 42. Route the left front door sill trim harness.

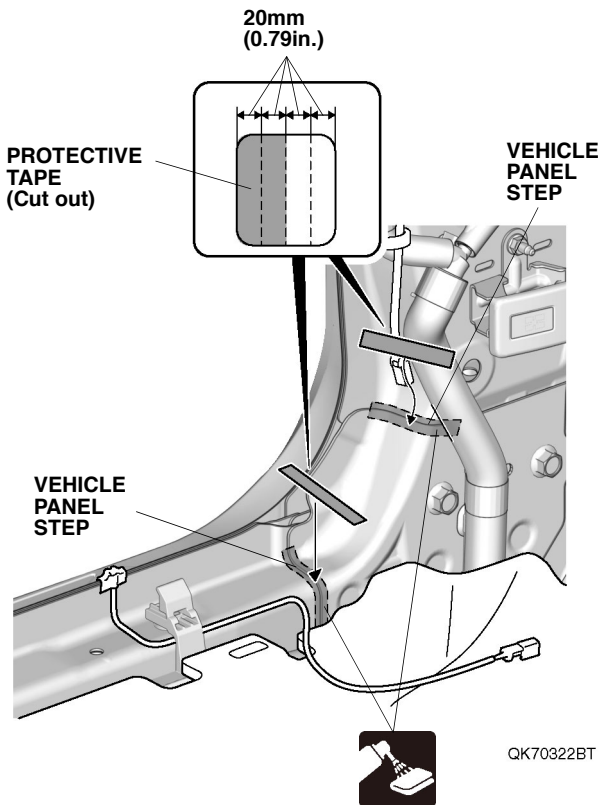


LEFT FRONT  
DOOR SILL TRIM  
HARNESS

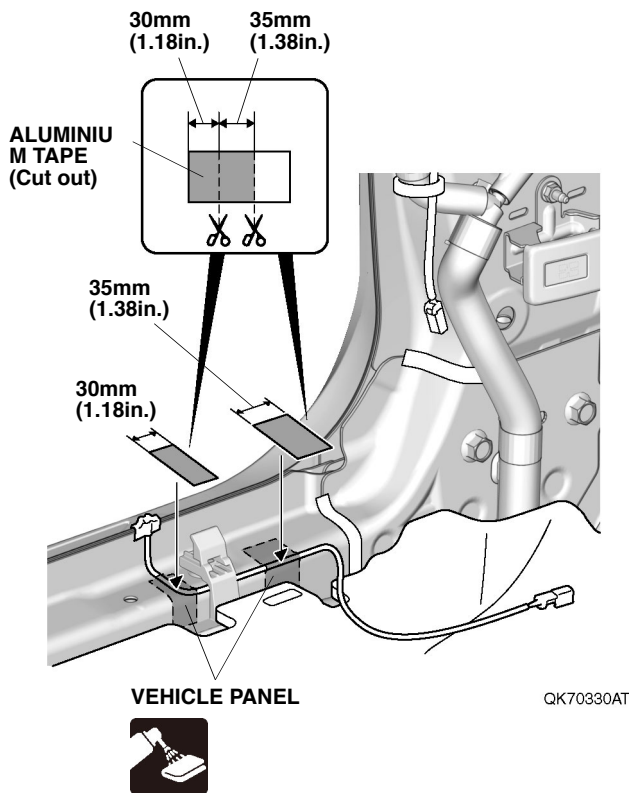
QK30224AR



43. Attach the protective tape.



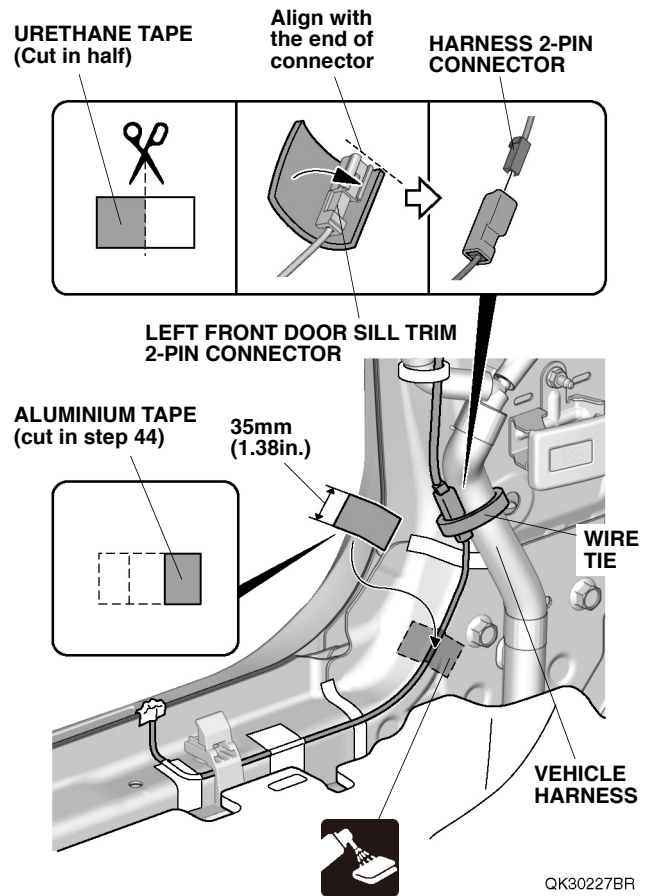
44. Secure the left front door sill trim harness.



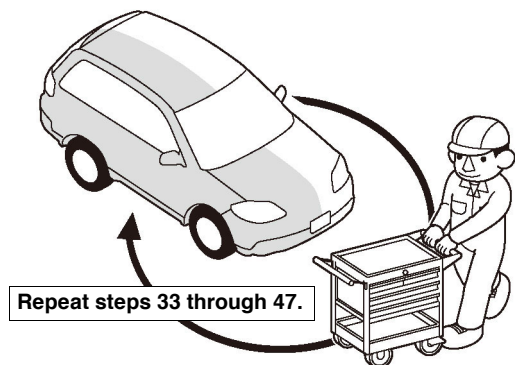
45. Attach the urethane tape.

46. Connect the harness connector.

47. Secure the connectors and left front door sill trim harness.



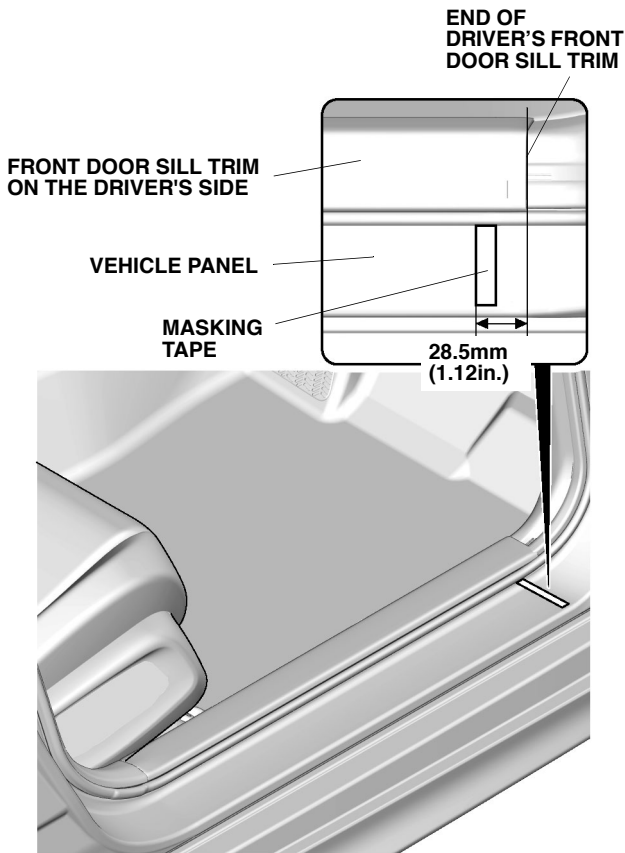
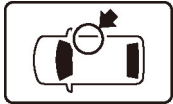
48. Repeat the same procedures on the other side.



To step 91

## Before Installing (RHD)

49. Attach the masking tape.

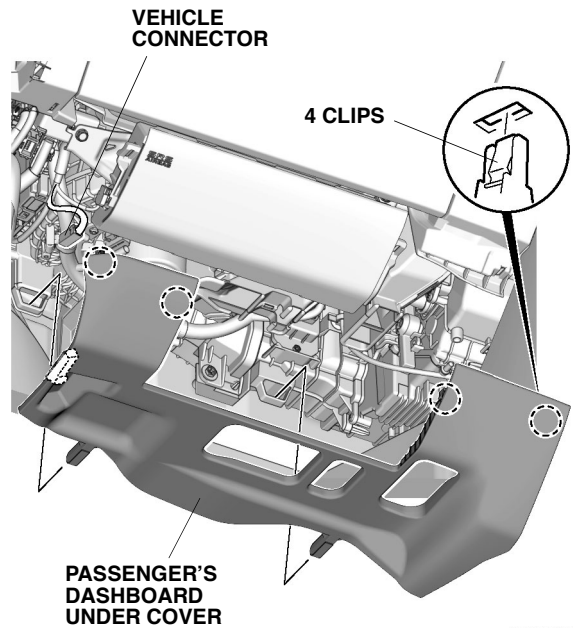


QK70401AT

50. Repeat step 49 on the other side.

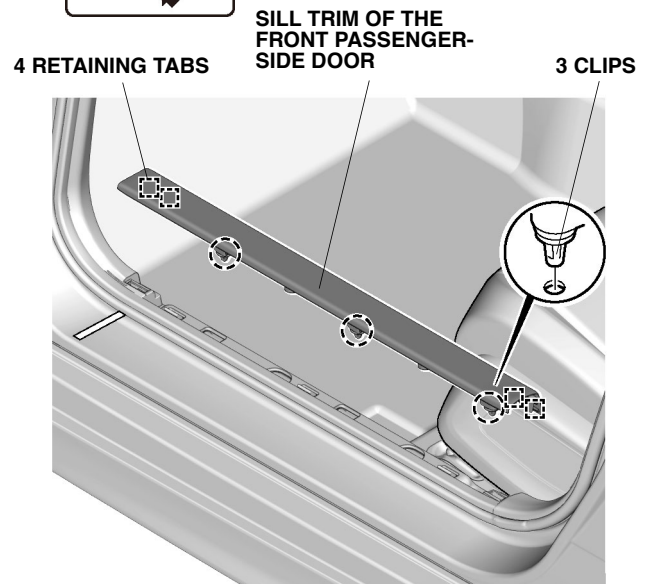
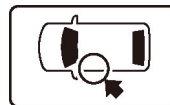
## Removing the Vehicle Parts (RHD)

51. Remove the passenger's dashboard under cover.



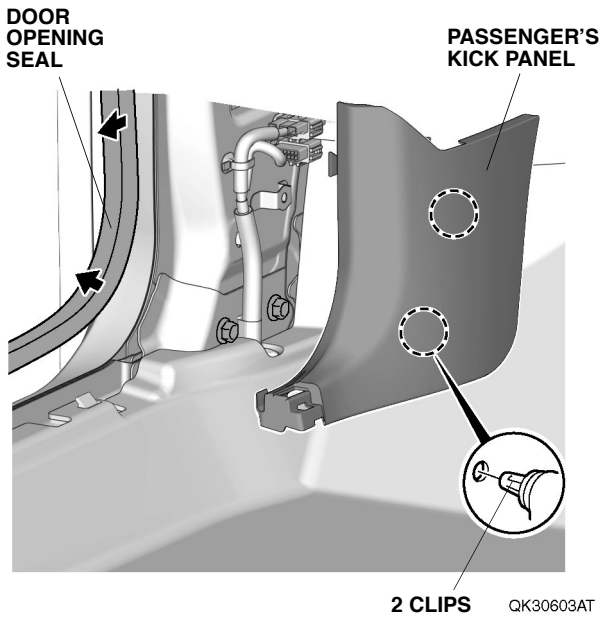
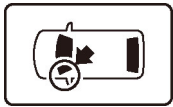
QK00123AT

52. Remove the sill trim from the front passenger-side door.

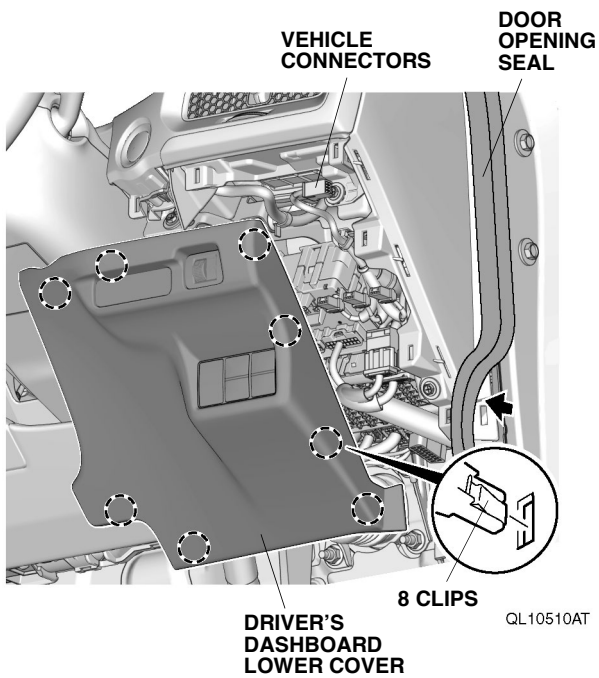
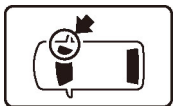


QK70402AT

53. Remove the passenger's kick panel.



54. Remove the driver's dashboard lower cover.

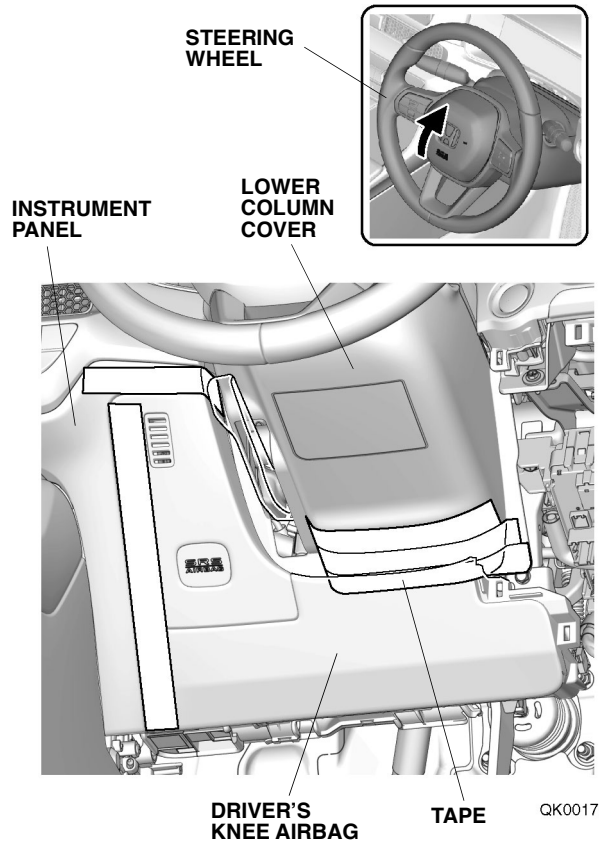


55. Fix the tilt lever of the column in the top position.

56. Attach the tape to protect the vehicle.

**NOTICE**

- Do not remove the tape until after the reinstallation.





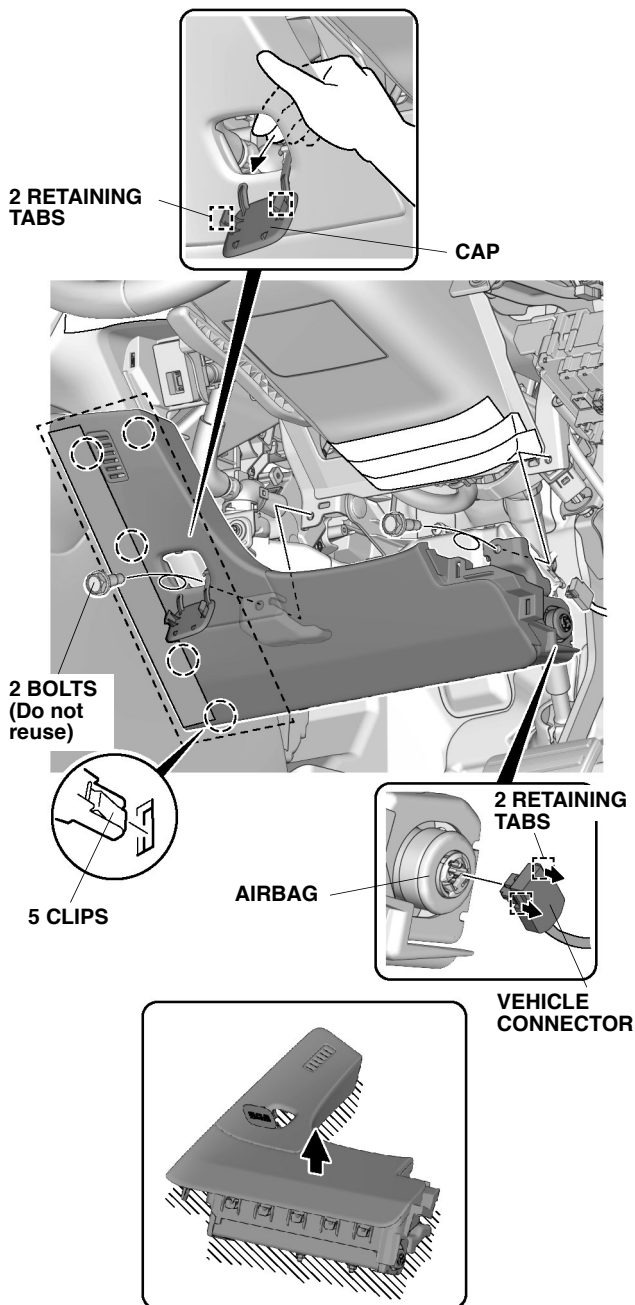
57. Remove the driver's knee airbag.

**CAUTION**

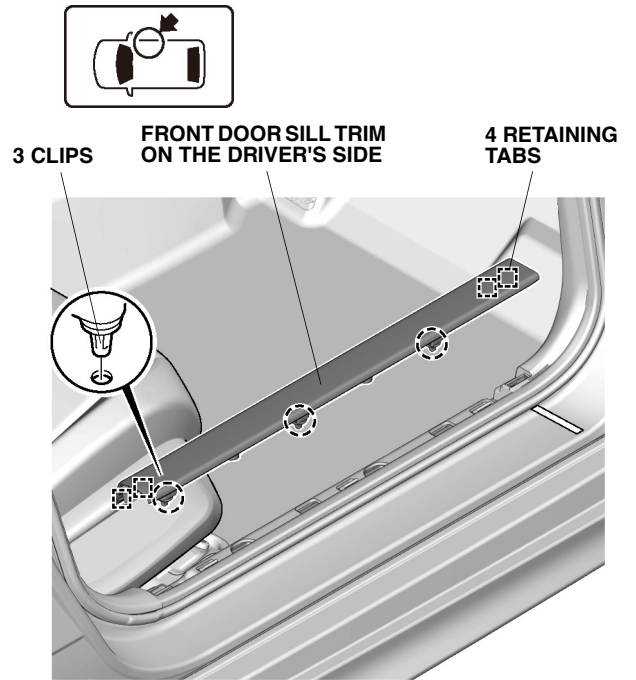
- Wait for at least three minutes after you disconnect the negative cable from the battery before you start work.
- Do not drop the removed knee airbag or hit it with an object.
- Place the removed knee airbag in a safe place with the pad surface (top) facing upwards.

**NOTICE**

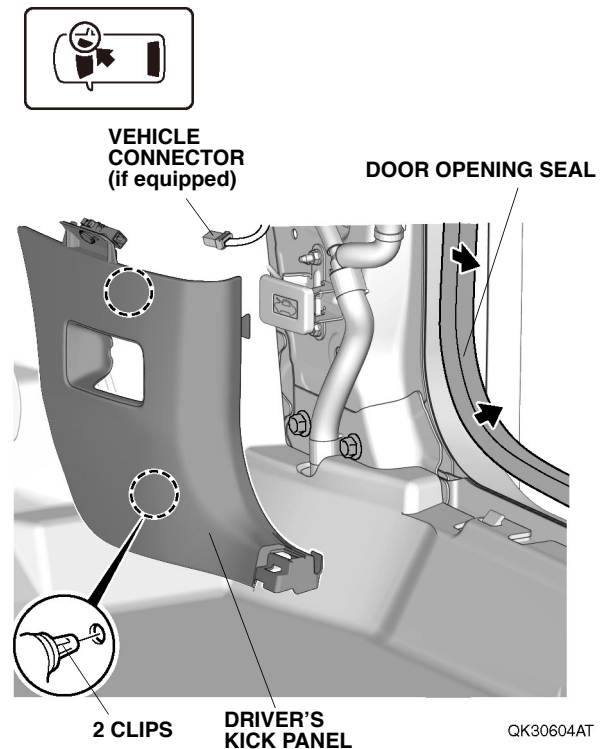
- Release the clip shown inside the dotted lines in the diagram below by pulling it down.



58. Remove the front door sill trim on the driver's side.



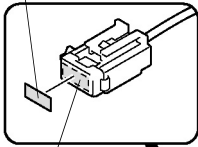
59. Remove the driver's kick panel.



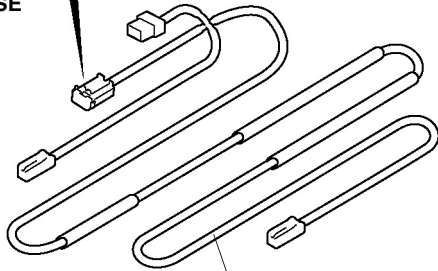
# Routing the Harness (RHD)

60. Attach the fuse label.

**FUSE LABEL  
(2A STEP ILLUMI)**



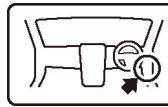
**FUSE CASE**



**HARNESS**

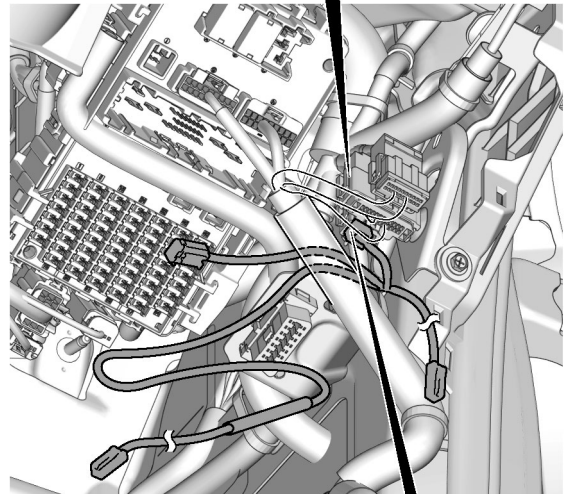
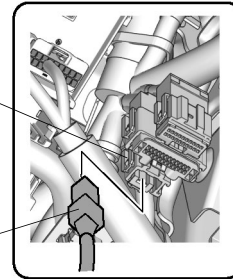
QK30206AR

61. Connect the harness connector.

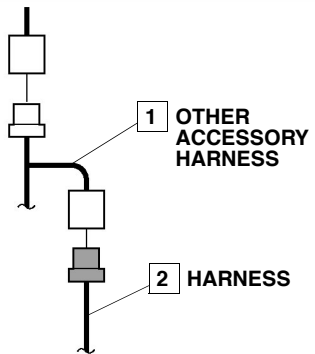


**VEHICLE 4-PIN  
CONNECTOR**

**HARNESS 4-PIN  
CONNECTOR**

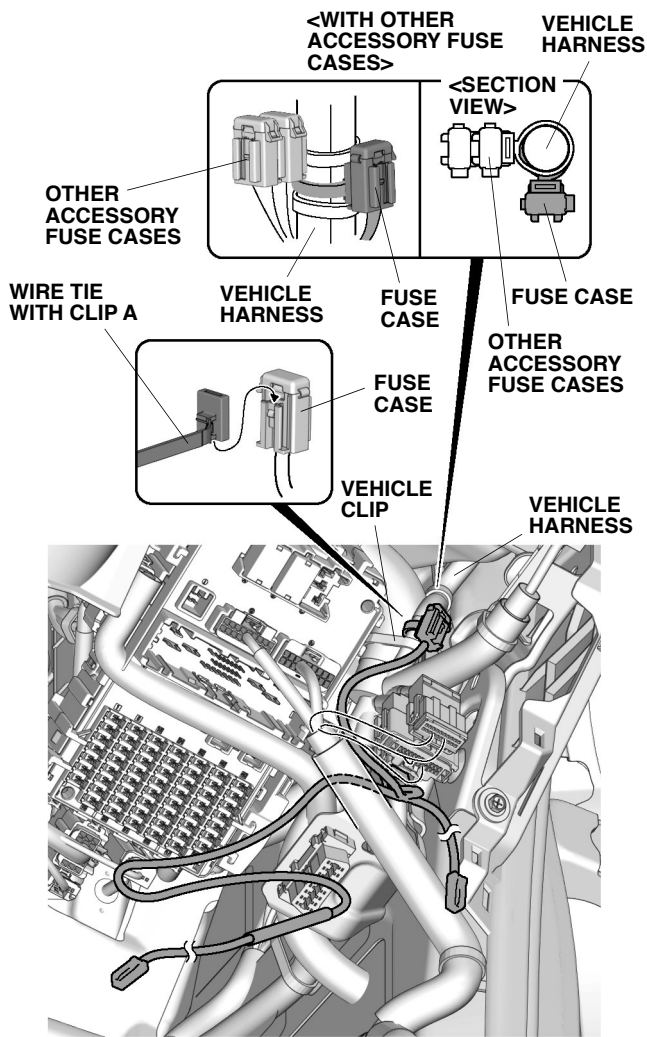


**WITH OTHER ACCESSORY HARNESS**  
If the dummy connector is connected,  
disconnect it.



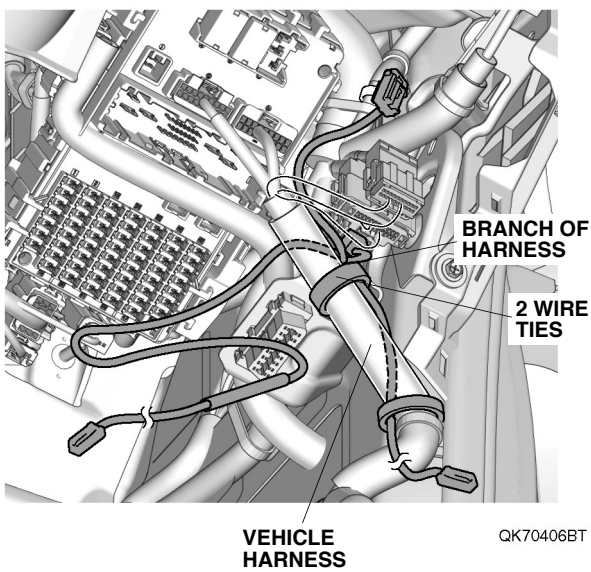
QK70404BT

62. Attach the fuse case.



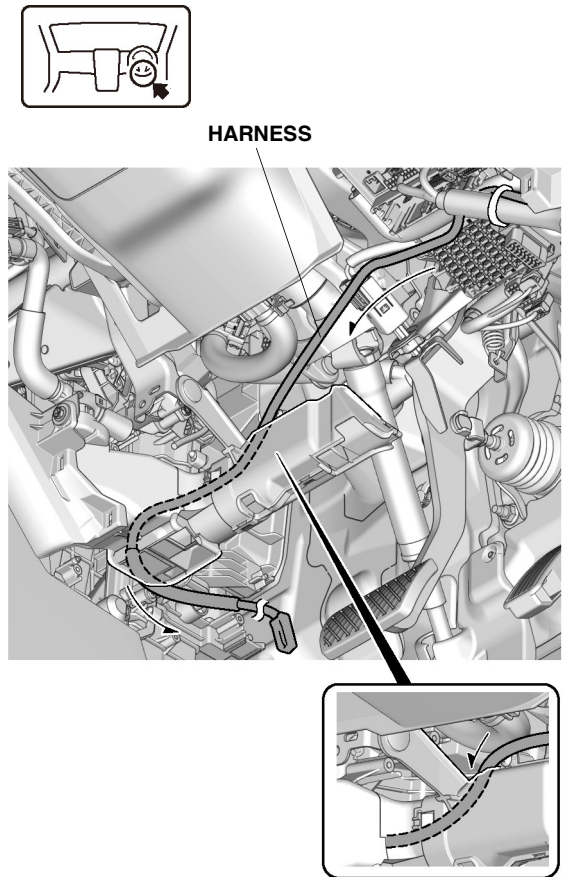
QK70405CT

63. Secure the harness.



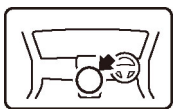
QK70406BT

64. Route the harness.

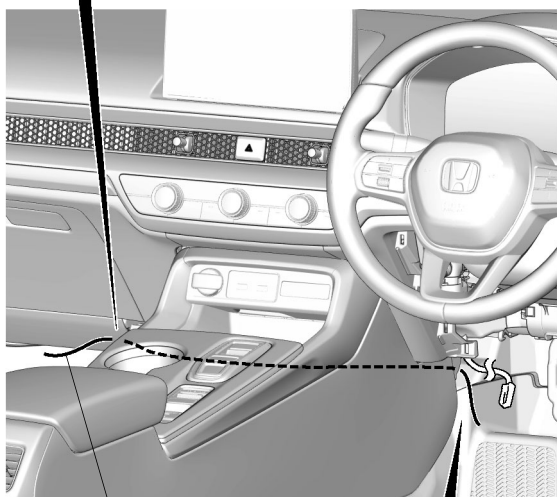
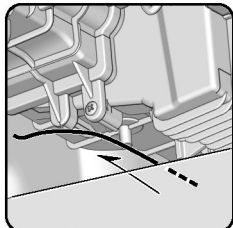


QK70407AT

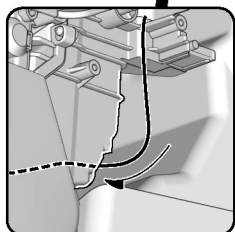
65. Route the steel wire.



<OPPOSITE SIDE VIEW>

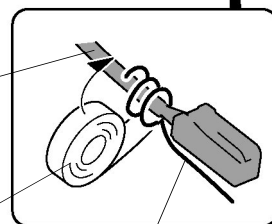
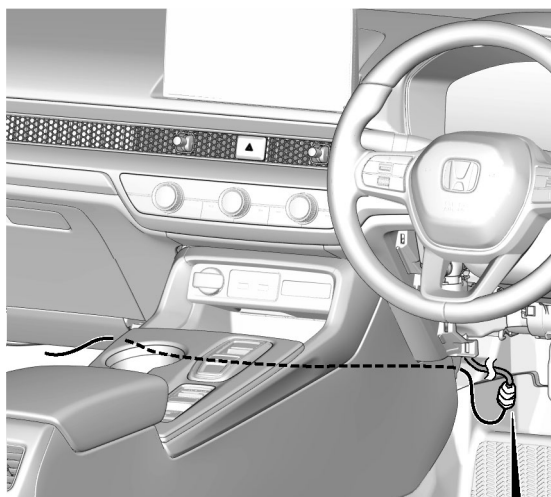


STEEL WIRE



QL00512AT

66. Attach the steel wire.



HARNESS

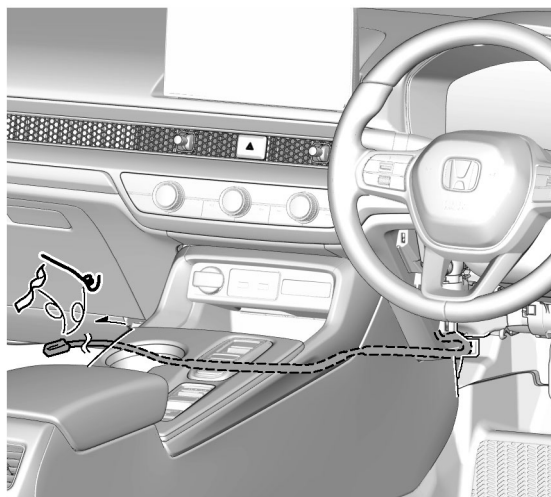
ELECTRICAL TAPE

STEEL WIRE

QL00513AT

67. Route the harness.

68. Remove the steel wire.



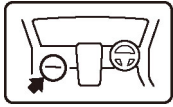
QL00514AT



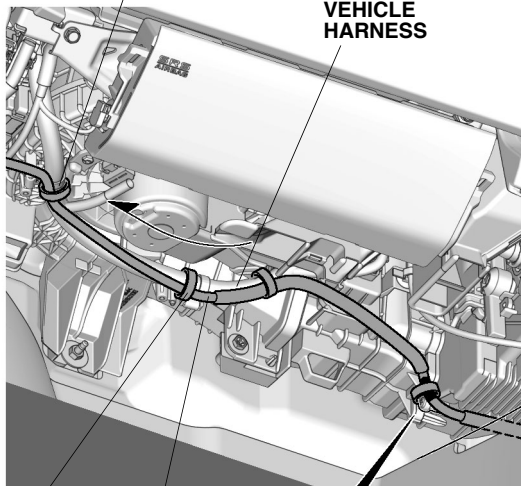
69. Secure the harness.

**NOTICE**

- Be careful not to damage the other accessory harness.



VEHICLE CLIP



VEHICLE HARNESS

3 WIRE TIES HARNESS

HEATER UNIT

WIRE TIE (Align with the heater unit)

WHITE TAPE

WIRE TIE

OTHER ACCESSORY WIRE TIE

OTHER ACCESSORY HARNESS

<WITH OTHER ACCESSORY HARNESS>

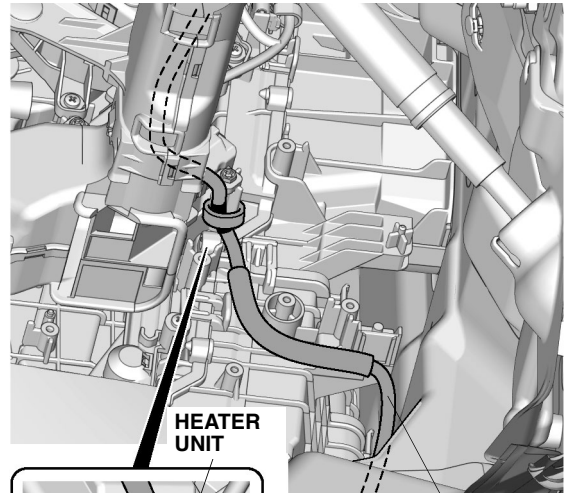
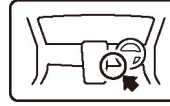
WHITE TAPE (Align with the other accessory wire tie)

QL00504AT

70. Secure the harness.

**NOTICE**

- Make sure to install the wire tie with clip in the correct orientation.
- Be careful not to damage the other accessory harness.



HEATER UNIT

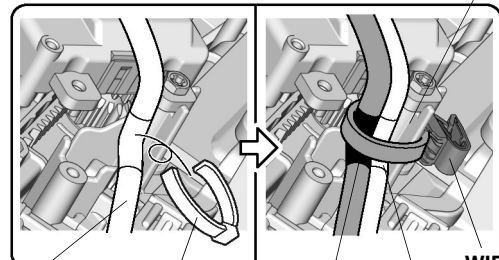
HARNESS

WIRE TIE WITH CLIP B

WHITE TAPE (Align with the heater unit)

HEATER UNIT

<WITH OTHER ACCESSORY HARNESS>



OTHER ACCESSORY HARNESS

WIRE TIE

TAPE

WIRE TIE WITH CLIP B

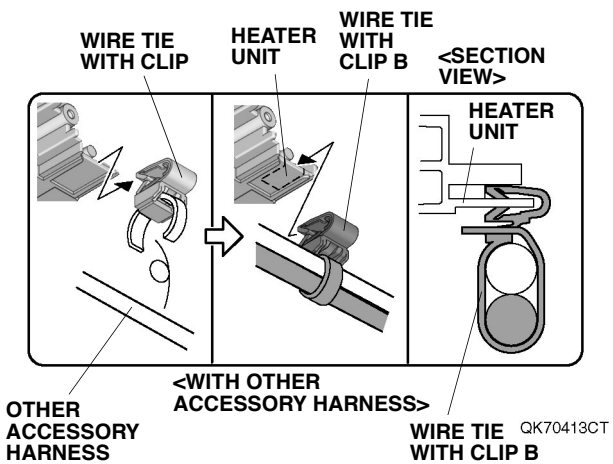
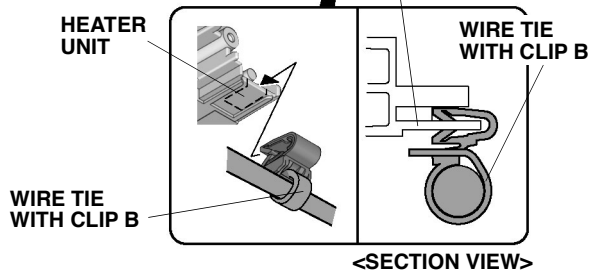
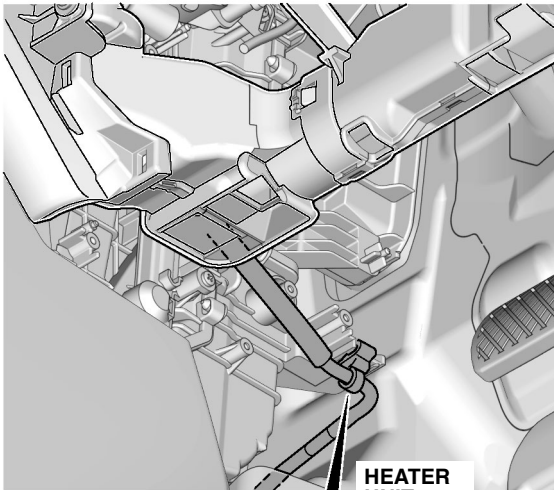
QL00515AT

WHITE TAPE (Align with the tape)

71. Secure the harness.

**NOTICE**

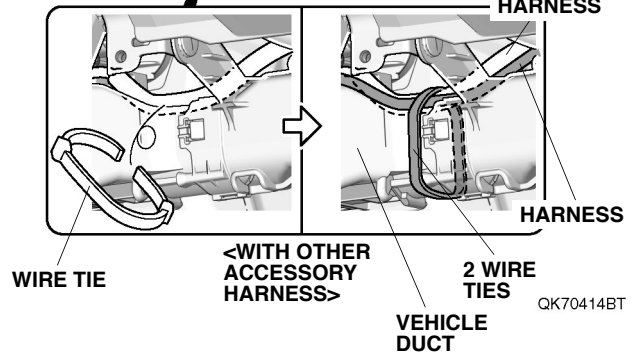
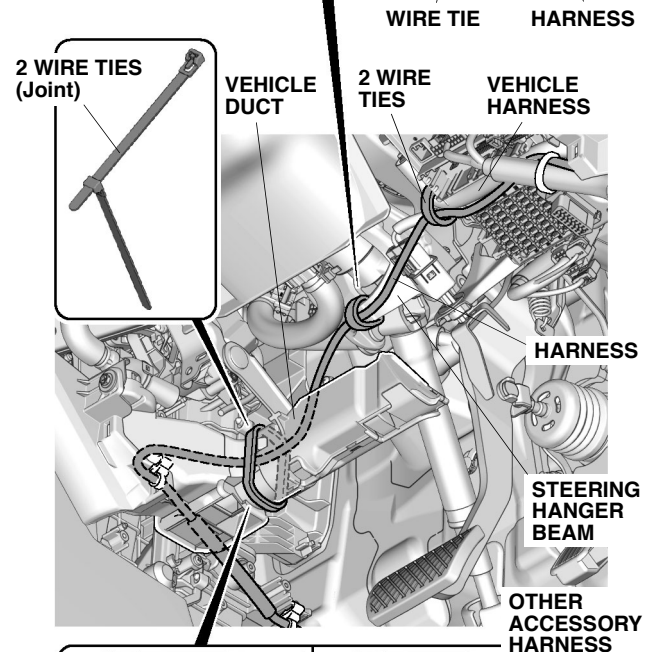
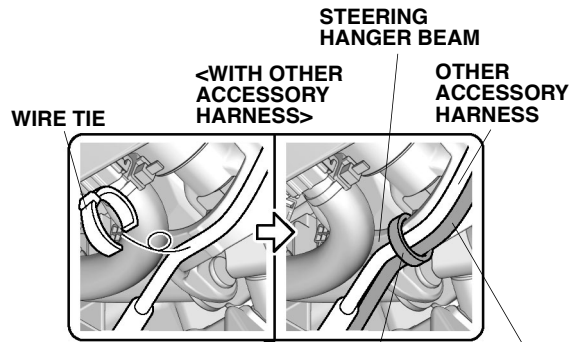
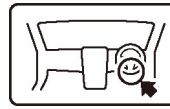
- Make sure to install the wire tie with clip in the correct orientation.
- Be careful not to damage the other accessory harness.



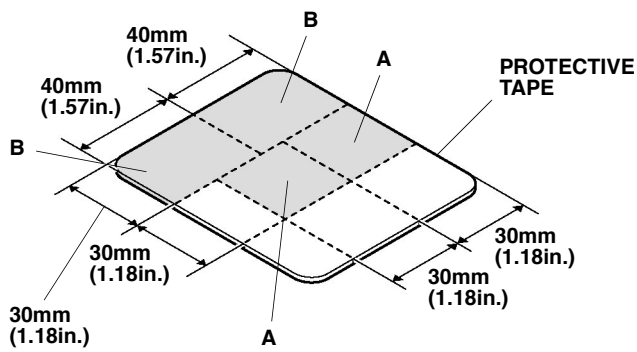
72. Secure the harness.

**NOTICE**

- Be careful not to damage the other accessory harness.



73. Cut the protective tape.

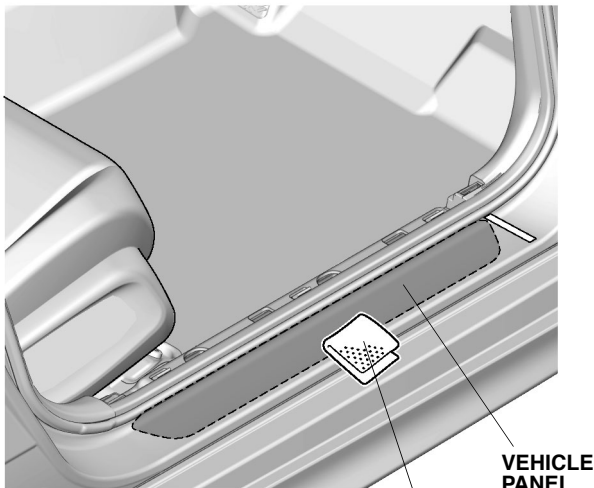
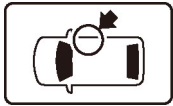


QE22410AH

74. Clean the attaching area.

**NOTICE**

- Allow to dry thoroughly.



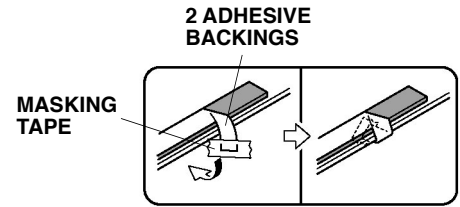
QL00505AT

75. Temporarily attach the adhesive backings.

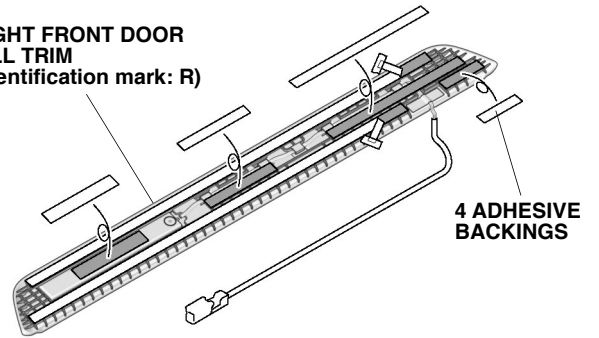
**NOTICE**

- Make sure to check the shape (scribe mark) before installation.

76. Remove the adhesive backings.

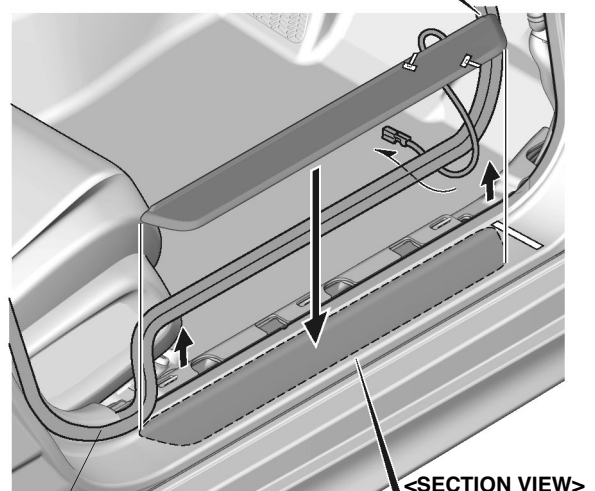
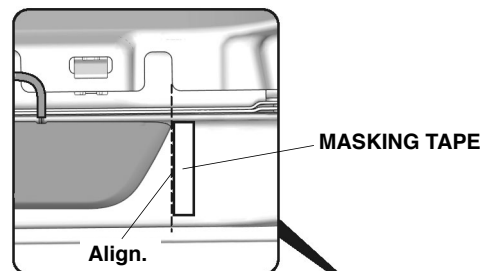


**RIGHT FRONT DOOR SILL TRIM**  
(Identification mark: R)



QK70415AT

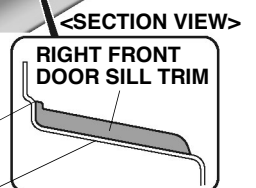
77. Align the right front door sill trim.



**DOOR OPENING SEAL**

**Contact.**

**VEHICLE PANEL**



QL00524AT

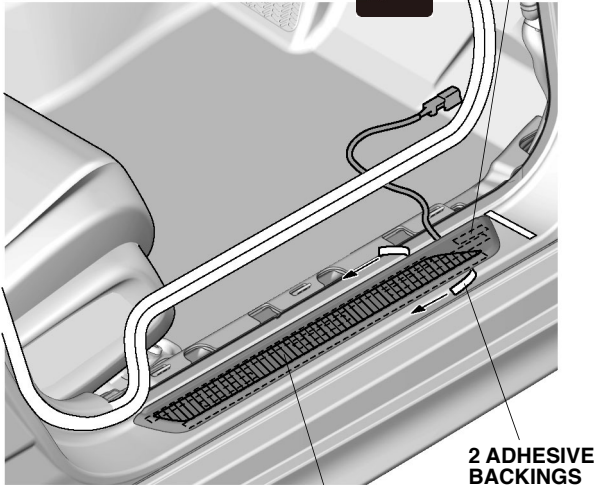


78. Secure the right front door sill trim.

**NOTICE**

- Check the position of the pieces of double-sided adhesive tape and press firmly.

6 PIECES OF DOUBLE-SIDED ADHESIVE TAPE

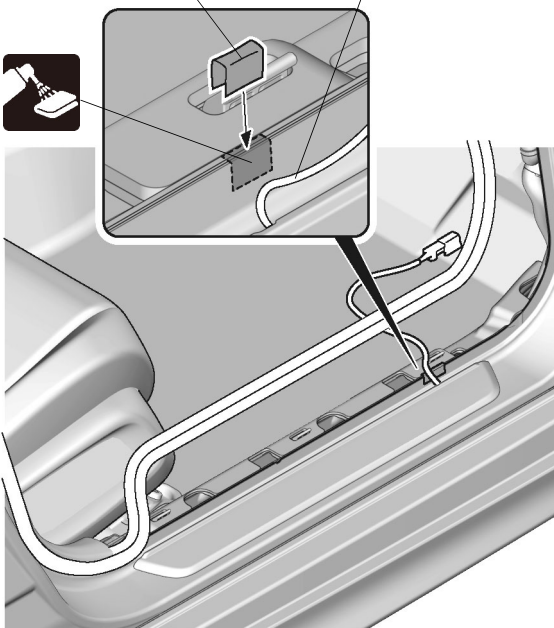


Do not apply firm pressure on the plate. QL00525CT

79. Remove the masking tape.

80. Attach the protective tape A.

PROTECTIVE TAPE A  
RIGHT FRONT DOOR SILL TRIM HARNESS



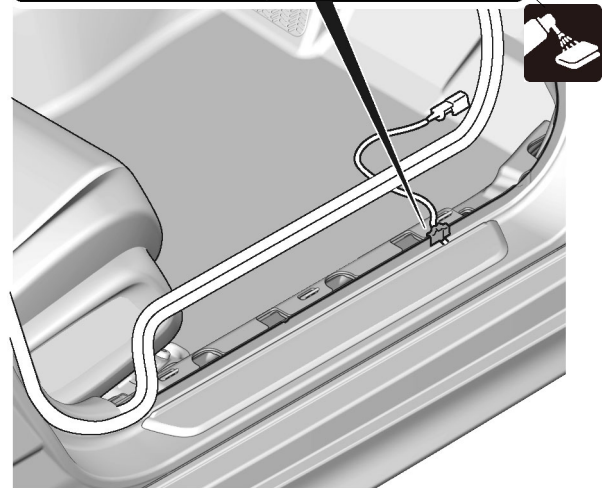
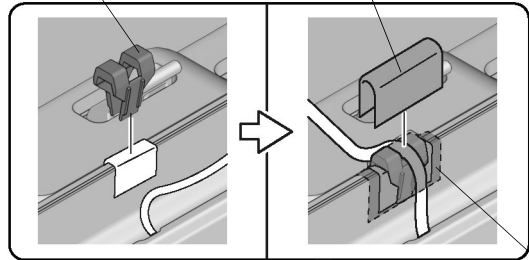
QL00526AT

81. Install the protective clip.

82. Secure the right front door sill trim harness.

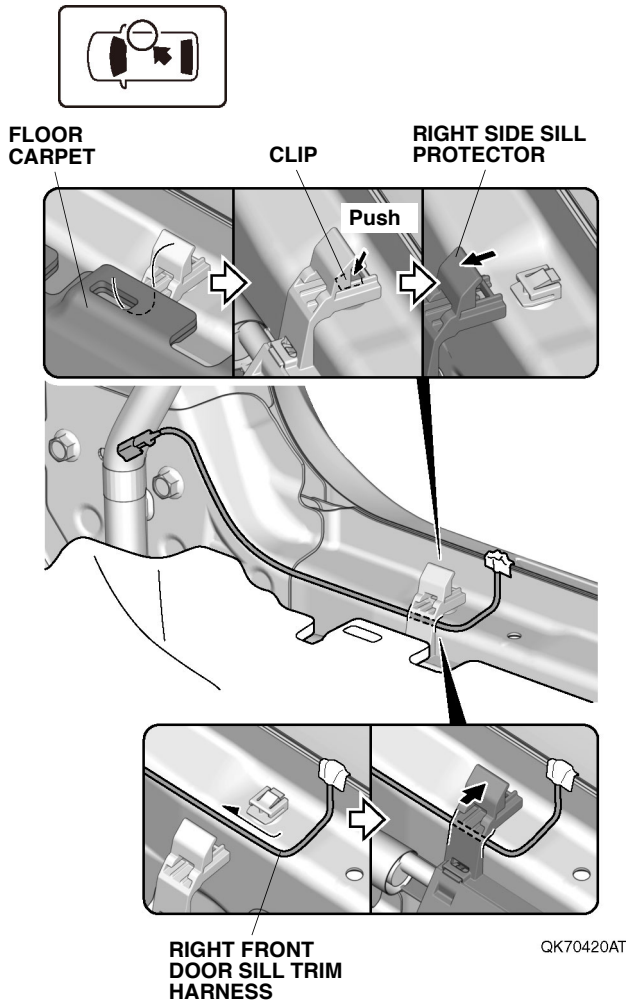
PROTECTIVE CLIP

PROTECTIVE TAPE B

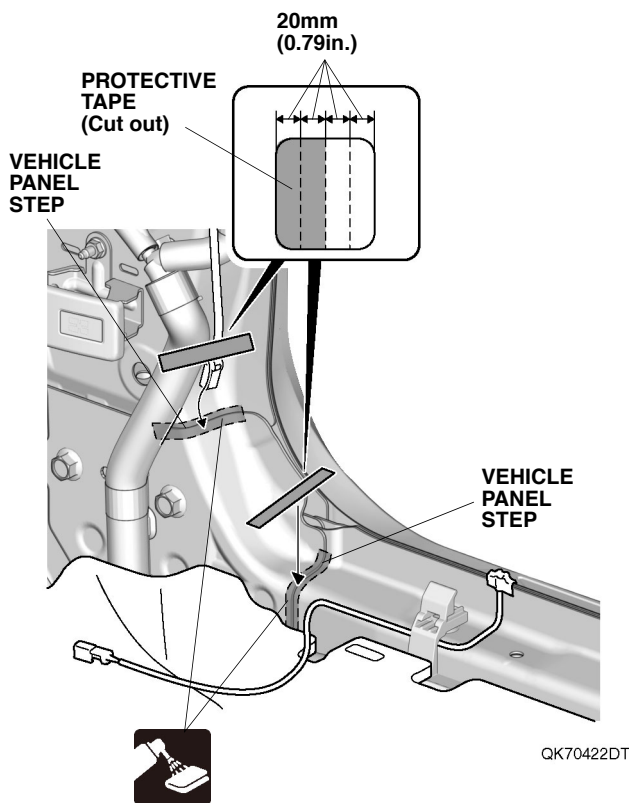


QL00527AT

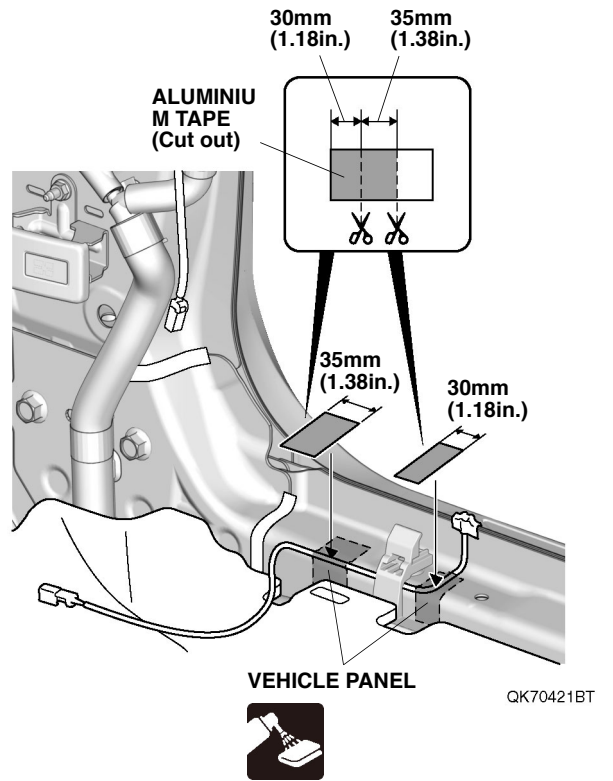
83. Route the right front door sill trim harness.



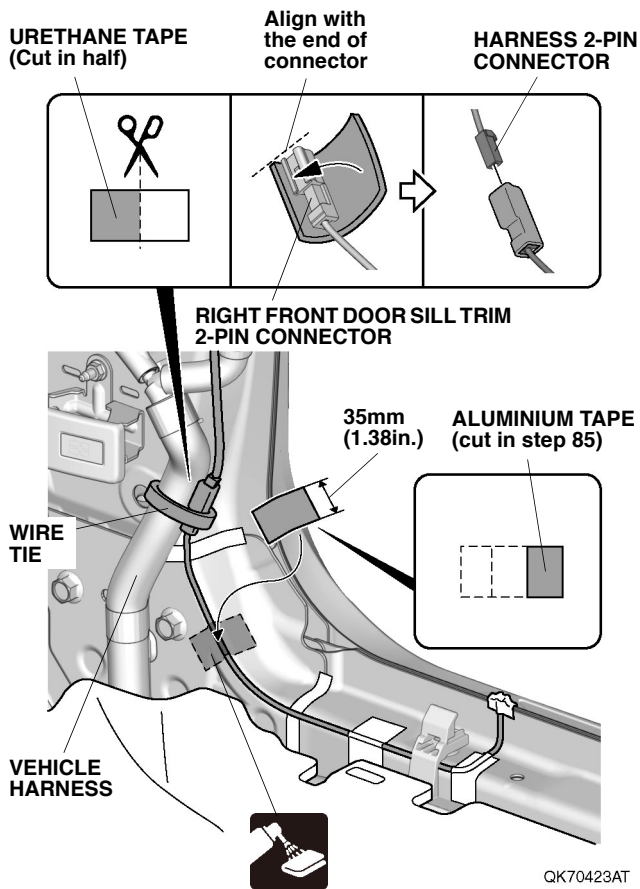
84. Attach the protective tape.



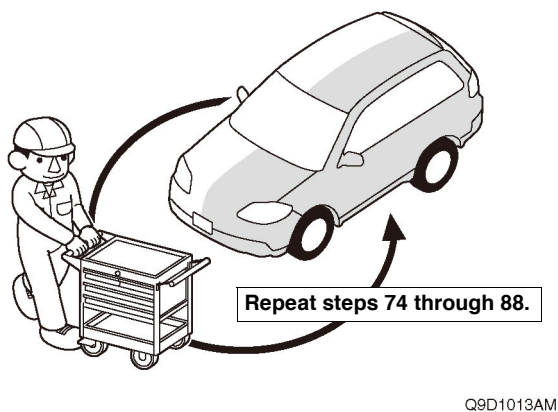
85. Secure the right front door sill trim harness.



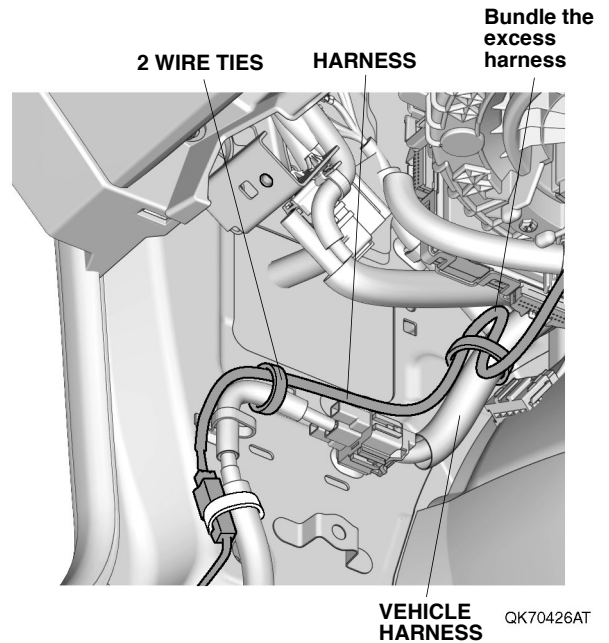
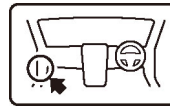
- 86. Attach the urethane tape.
- 87. Connect the harness connector.
- 88. Secure the connectors and right front door sill trim harness.



- 89. Repeat the same procedures on the other side.

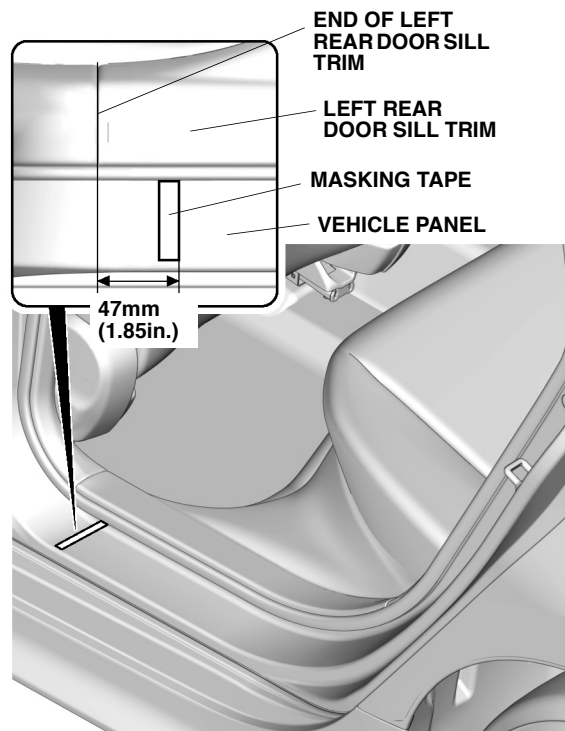
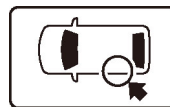


- 90. Secure the harness.



### Installing the Rear Door Sill Trims

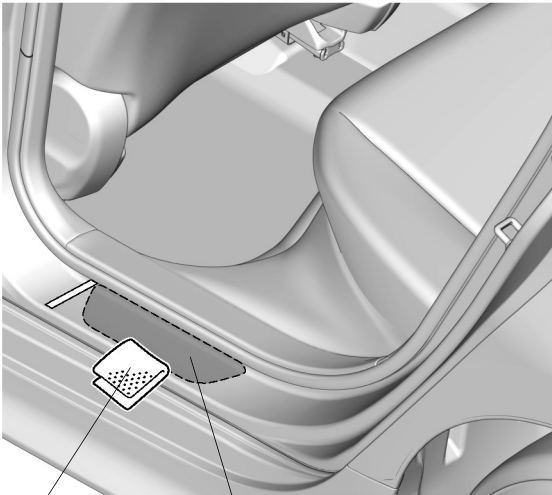
- 91. Attach the masking tape.



92. Clean the attaching area.

**NOTICE**

- Allow to dry thoroughly.



CLEANER

VEHICLE PANEL

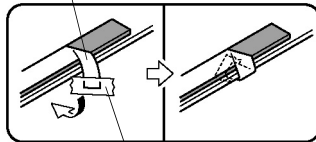
QL00506AT

93. Temporarily attach the adhesive backings.

**NOTICE**

- Make sure to check the shape (scribe mark) before installation.

2 ADHESIVE BACKINGS

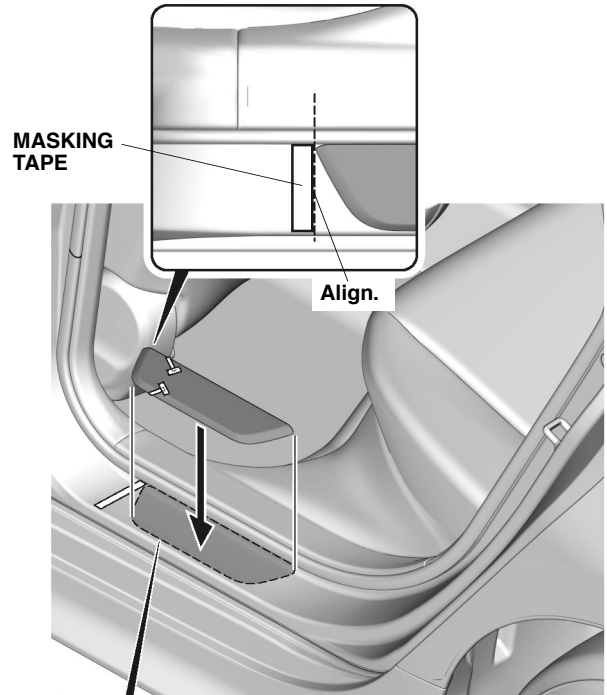


MASKING TAPE

LEFT REAR DOOR SILL TRIM  
(Identification mark: L)

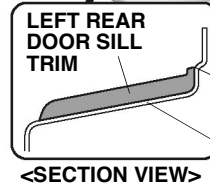
QK30230AR

94. Align the left rear door sill trim.



MASKING TAPE

Align.



Contact.

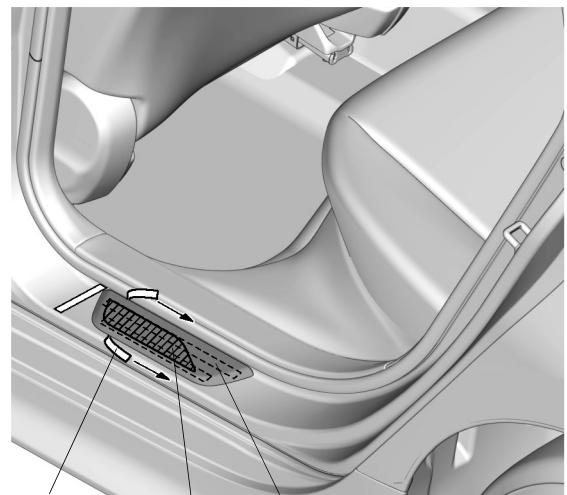
VEHICLE PANEL

QL00528AT

95. Secure the left rear door sill trim.

**NOTICE**

- Check the position of the pieces of double-sided adhesive tape and press firmly.



2 ADHESIVE BACKINGS

Do not apply firm pressure on the plate.

2 PIECES OF DOUBLE-SIDED ADHESIVE TAPE

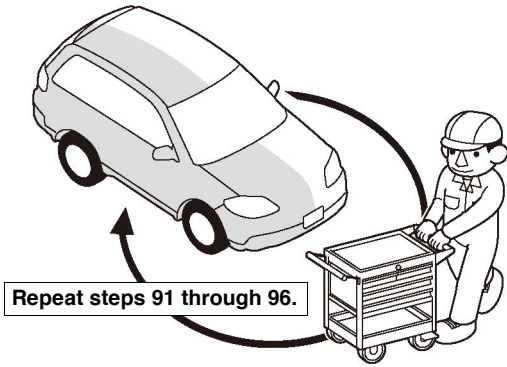
QM40306AT



96. Remove the masking tape.



97. Repeat the same procedures on the other side.



Repeat steps 91 through 96.

Q9D1014AM

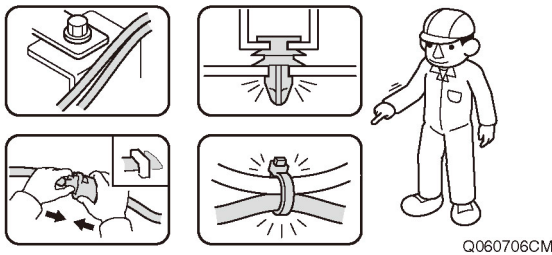
98. Remove the protective film if necessary.

### Check After Installation

99. Check that all parts are routed and installed properly.

#### NOTICE

- Check that the harnesses are not pushed, not pulled and not pinched.
- Check that all clamps and wire ties are installed securely.



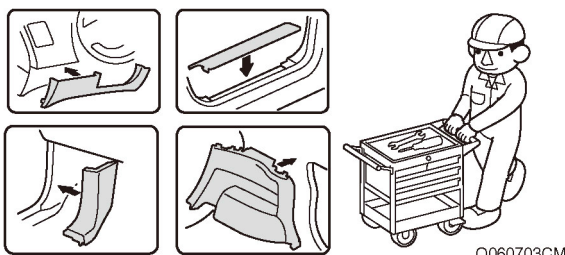
Q060706CM

### Reinstalling the All Removed Parts

100. Reinstall all removed parts.

#### NOTICE

- Be extremely careful not to damage the vehicle parts or pinch the harnesses.
- Make sure to secure the retaining tabs and clips properly to avoid separation.



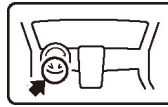
Q060703CM

### <Installing the Driver's Knee Airbag>

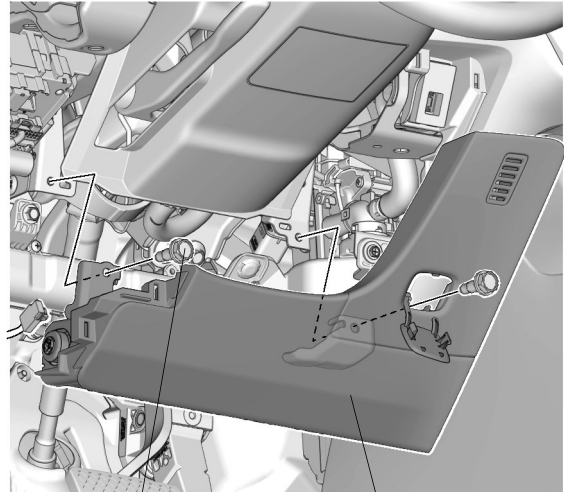
101. Reinstall the driver's knee airbag.

#### NOTICE

- Make sure to replace with the bolt included in this kit.



<LHD models>

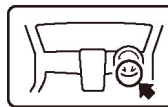


2 BOLTS  
(supplied)

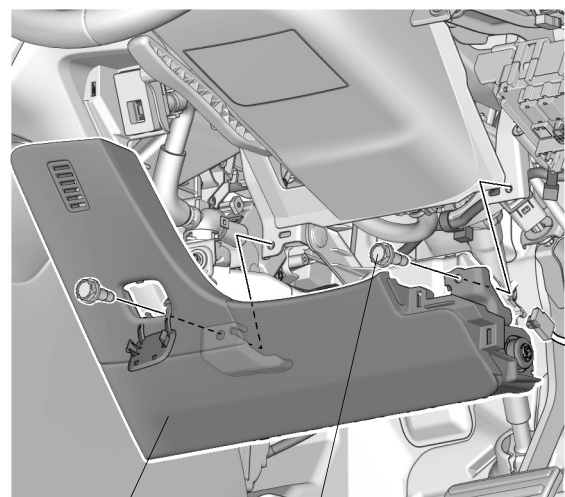
DRIVER'S  
KNEE AIRBAG

QL00507AT

**N-m** 6.9-14.4N-m  
(0.7-1.5kgf-m,  
5.1-11lbf-ft)



<RHD models>



DRIVER'S  
KNEE AIRBAG

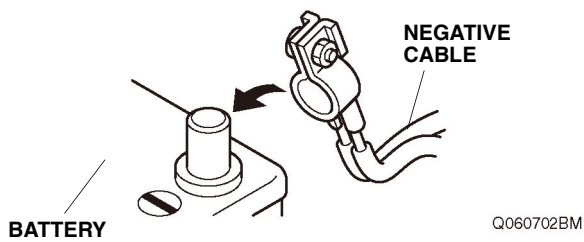
2 BOLTS  
(supplied)

QKN1214AH

**N-m** 6.9-14.4N-m  
(0.7-1.5kgf-m,  
5.1-11lbf-ft)

## Operation Check

102. Reconnect the negative cable to the battery.



103. Turn the engine switch (power switch) to ON. The SRS indicator should come on for about six seconds and then go off.

104. Open a door to check that the front trims come on.

## Vehicle Check

105. Check that the electric accessories and systems operate properly.

106. Press and hold the audio power button for two seconds, or enter the anti-theft code for the audio/navigation system.

107. Reset the memory of each piece of equipment and restore the positions of the control knobs.

