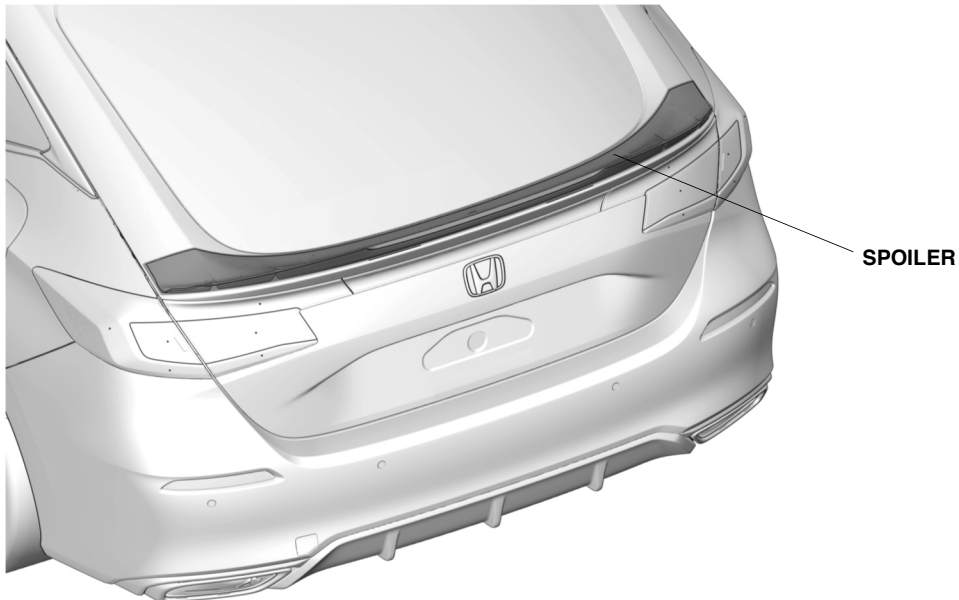


TAILGATE SPOILER

*CIVIC***GENERAL VIEW**

QL00101AU

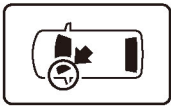
FOR YOUR SAFETY (Read carefully)**Introduction of Symbol Messages**

- These symbols warn you about the possible hazards and explain how to avoid them. The symbols also provide you with some advice.

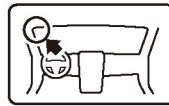
⚠ DANGER**You will be killed or seriously hurt if you do not follow the instructions.****⚠ WARNING****You may be killed or seriously hurt if you do not follow the instructions.****⚠ CAUTION****You may be hurt if you do not follow the instructions.****NOTICE****Gives advice to prevent damage to the product.****Gives helpful information or instructions to be followed in using the product.****Indicates prohibited actions.**

Introduction of Icons

- These icons indicate the working place and the worker's viewing angle.



The place for the vehicle.



The place for the instrument panel.

- These icons indicate the necessary actions that need to be taken to ensure your safety and the success of the work.



Wear eye protection.



Wear heavy gloves.



Work with an assistant.



Place the part on a blanket.



Remove any burrs.



Use the touch-up paint and dry.



Keep the parts and give them to the customer. (Do not use)



Press firmly.



Tighten by the specified torque.



Work perpendicularly.



Clean with the contact cleaner.

Safety: General


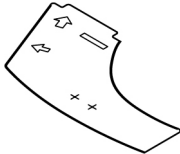
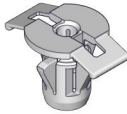


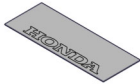
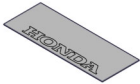
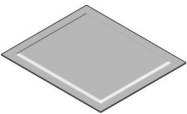
- Follow all safety information and precautions described in the workshop manual in addition to those described in these installation instructions. Most importantly, take extreme care to ensure your own safety and the safety of others.
- Be careful not to damage the vehicle and the parts.
- Be extremely careful when you handle the retaining tabs and clips.
- Note the locations of the parts before removing them so that they can be reinstalled in their original positions properly.
- The illustrations may differ a little from the actual accessories for the design change of the vehicle.

Safety: For the Accessory

- **Do not carry out any installation or attachment work in an area that receives direct sunlight or in an area where dust is present.**
- **Always install these accessories at the ambient air temperature 15°C (60°F) or above.**
- **Heat the accessories and bonding surfaces if the ambient air temperature is below 15°C (60°F).**
- **Attach the accessories by pressing them firmly with the palm of your hand. Be careful not to damage the accessories and the vehicle parts.**
- **Carefully place the double-sided adhesive tape in the proper position. Once the double-sided adhesive tape touches the surface, do not try to detach and relocate the tape. If you attempt to move the tape after it comes into contact with the surface, you will damage the part before the adhesive can be detached.**
- **Do not wash the vehicle for 24 hours to allow the adhesive to cure.**

PARTS LIST

Tailgate Spoiler Kit

<p>Spoiler</p> 	<p>Template</p> 	<p>Clips (4)</p> 	<p>Right tailgate support strut (Identification mark: R)</p> 
<p>Left tailgate support strut (Identification mark: L)</p> 	<p>Sticker (dark grey) (May not be used)</p> 	<p>Sticker (light grey) (May not be used)</p> 	<p>Cleaner</p> 

TOOLS AND SUPPLIES REQUIRED

- Drill
- Tape
- Shop towel
- Pushpin
- Touch-up paint
- File
- Contact cleaner
- Masking tape
- 12mm hole saw
- Eye protection (face shield, safety goggles, etc.)
- Ruler
- 3mm drill bit
- Flat-tip screwdriver
- Tape measure

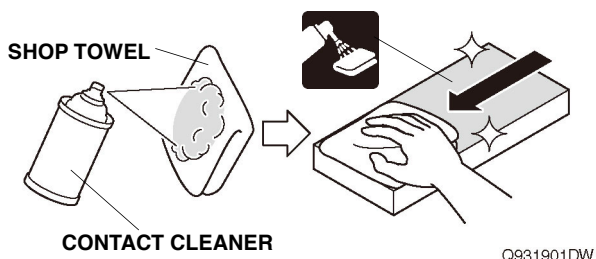
INSTALLATION

How to Use the Contact Cleaner

- Using contact cleaner on a shop towel, thoroughly clean the areas where the accessories will be attached.

NOTICE

- Always use the contact cleaner.
- Do not apply the cleaner to the object of the work directly.
- Allow the cleaned areas to dry completely before beginning attachment work.

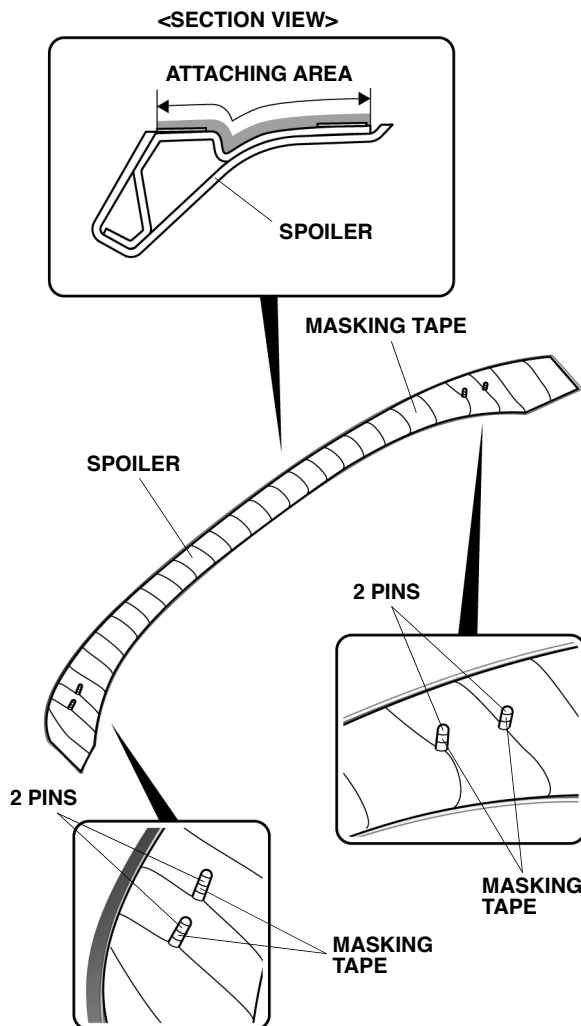


Painting the Spoiler

1. Follow the below guidance.

- | | |
|-------------------|-----------|
| • Material kit | To step 2 |
| • Body colour kit | To step 5 |

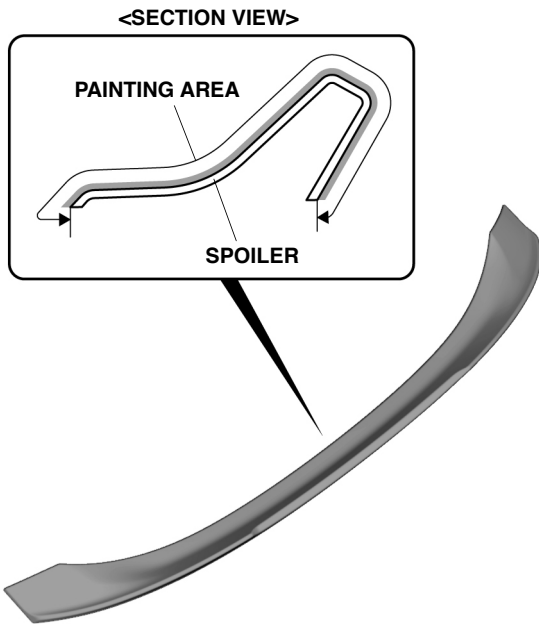
2. Attach the masking tape.



3. Paint the spoiler.

NOTICE

- Allow the painted areas to dry thoroughly.



QL00102AU

4. Remove the masking tape.

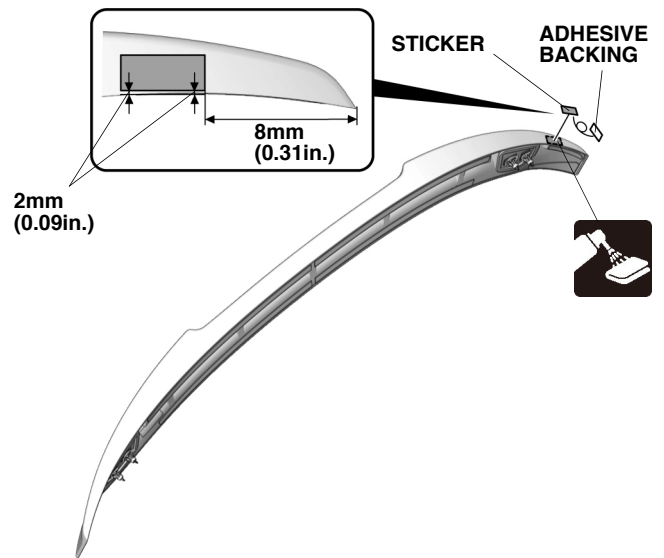
5. Follow the below guidance.

- | | |
|----------------------------|-----------|
| • Switzerland/Spain models | To step 6 |
| • Other models | To step 8 |

6. Clean the spoiler.
7. Attach the sticker.

NOTICE

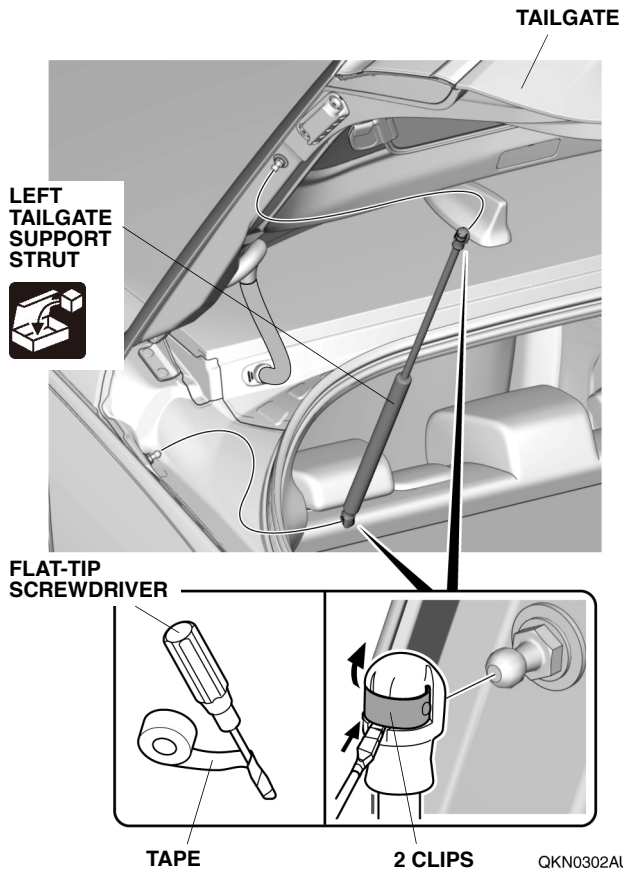
- Attach the dark grey or light grey sticker according to the colour of the vehicle.



QL00103AU

Installing the Spoiler

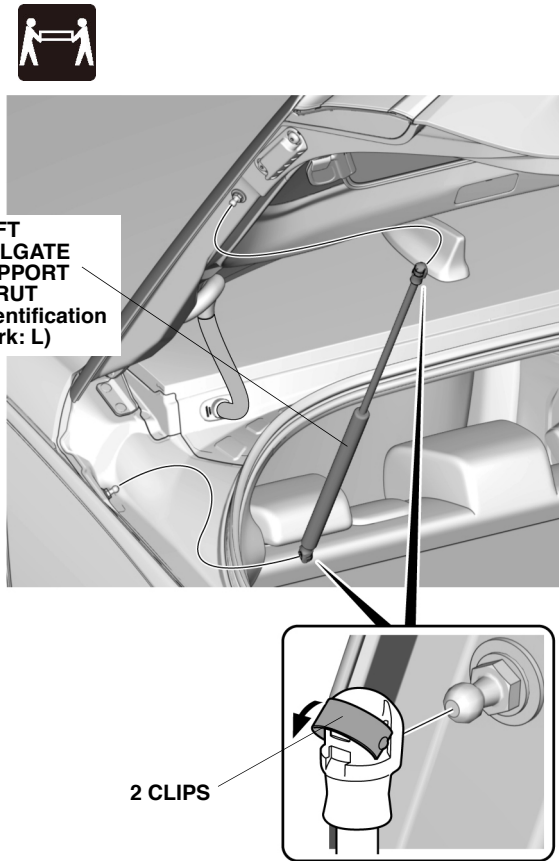
8. Open the tailgate.
9. Remove the left tailgate support strut.



QKN0302AU

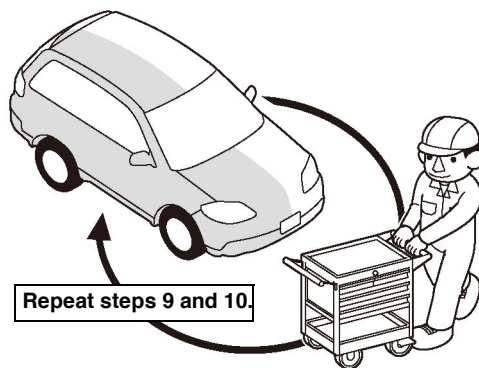
10. Install the left tailgate support strut.

NOTICE
<ul style="list-style-type: none"> Make sure to check the identification mark before installation. Make sure to check that the tailgate support strut is secured properly.



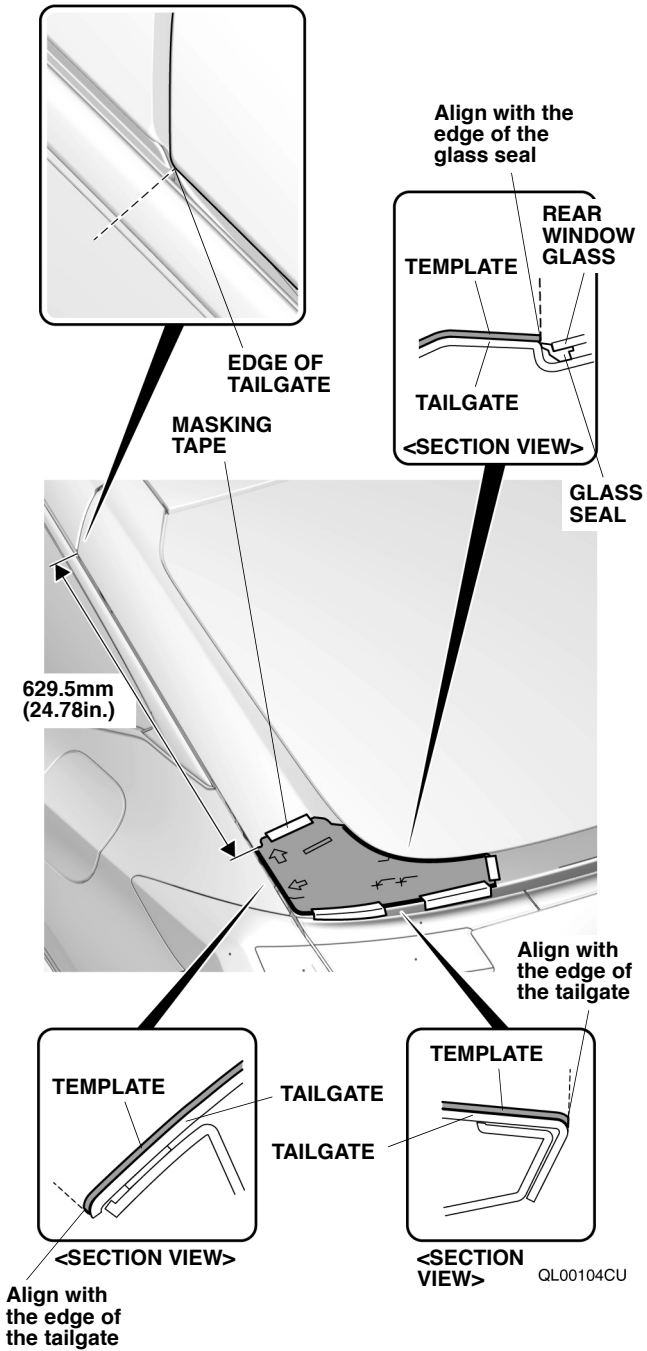
QKN0303AU

11. Repeat the same procedures on the other side.



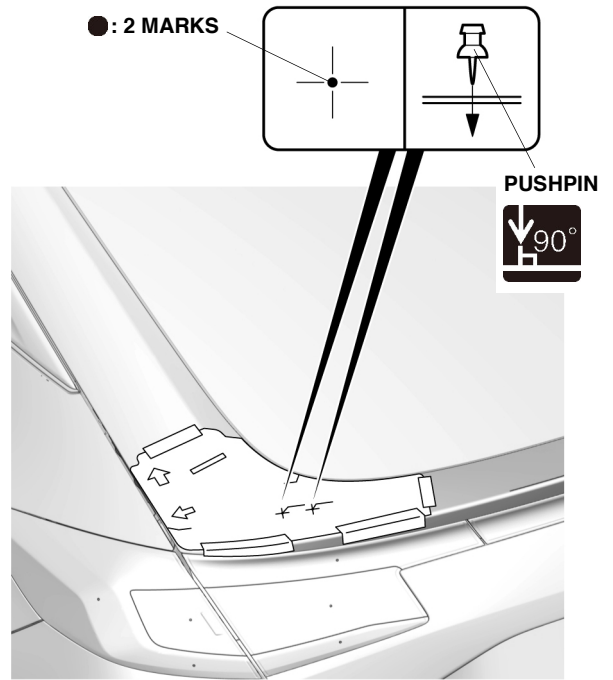
Q9D1014AM

12. Close the tailgate.
13. Secure the template.



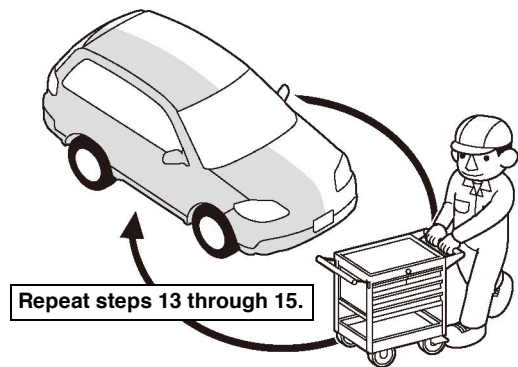
QL00104CU

14. Pierce the tailgate.



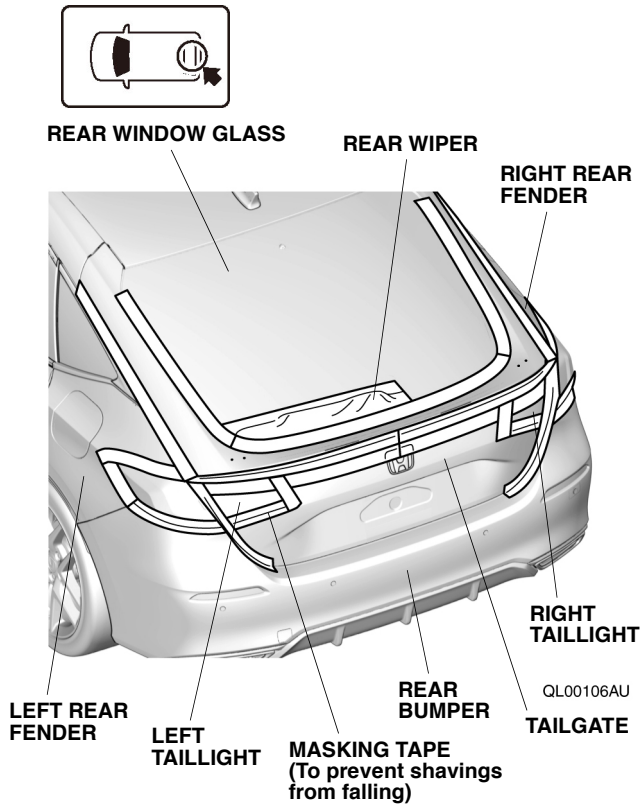
QL00105AU

15. Remove the template.
16. Flip the template.
17. Repeat the same procedures on the other side.

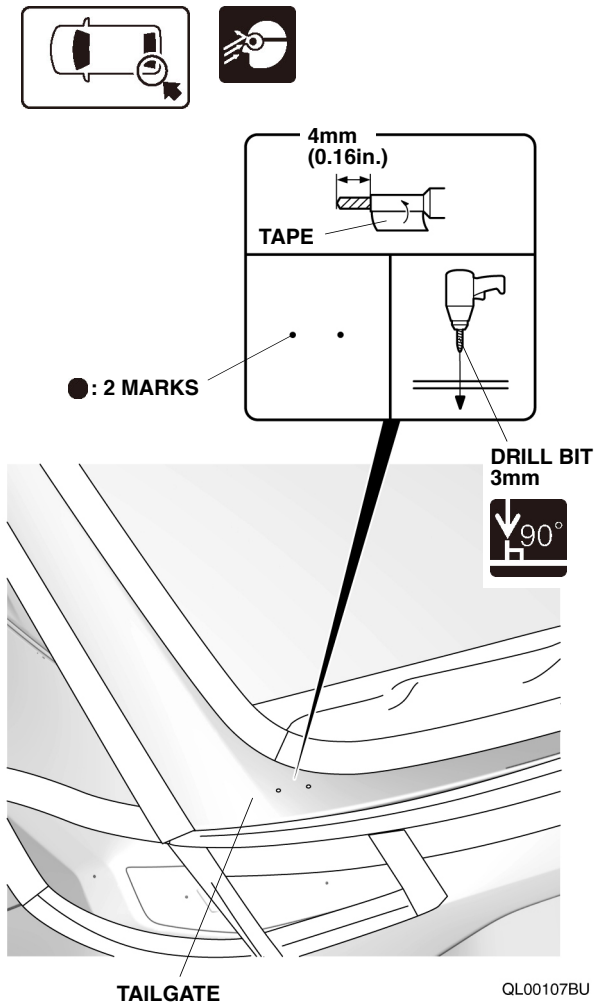


Q9D1014AM

18. Attach masking tape to protect the vehicle.



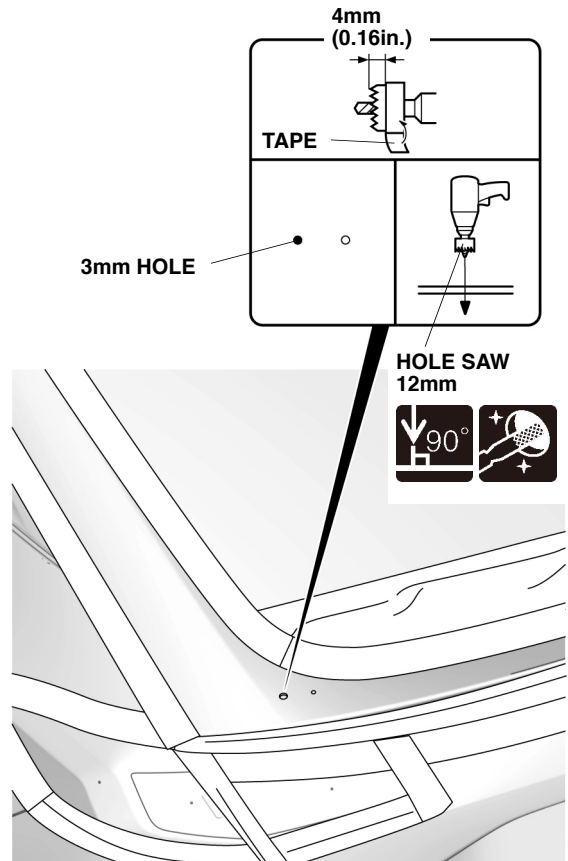
19. Drill the tailgate.



20. Drill the tailgate.

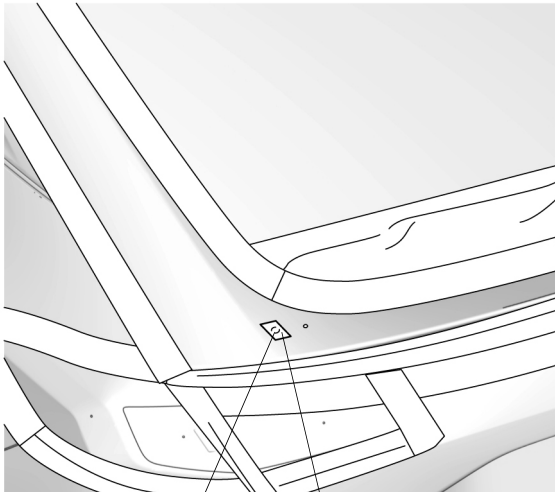
NOTICE

- If the vehicle frame is scratched, apply touch-up paint and allow it to dry thoroughly.
- If fragments get inside the tailgate, take it out after removing the tailgate trim panel.



QL00108AU

21. Attach masking tape to protect the vehicle.

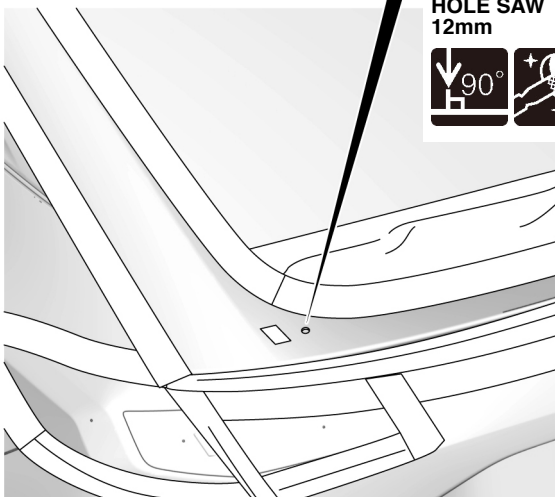
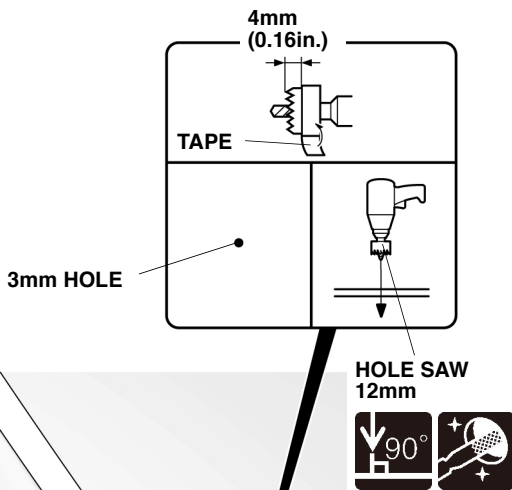


12mm HOLE
 MASKING TAPE
 (To prevent shavings from falling)
 QL00109AU

22. Drill the tailgate.

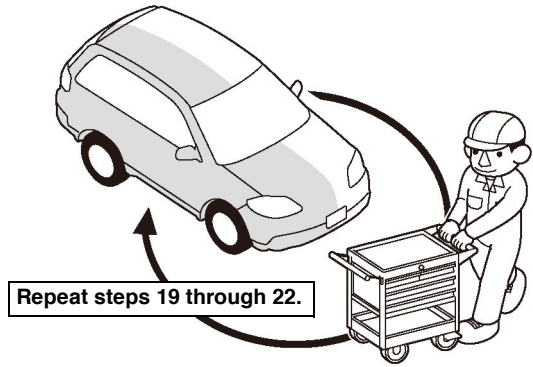
NOTICE

- If the vehicle frame is scratched, apply touch-up paint and allow it to dry thoroughly.



QL00110AU

23. Repeat the same procedures on the other side.



Q9D1014AM

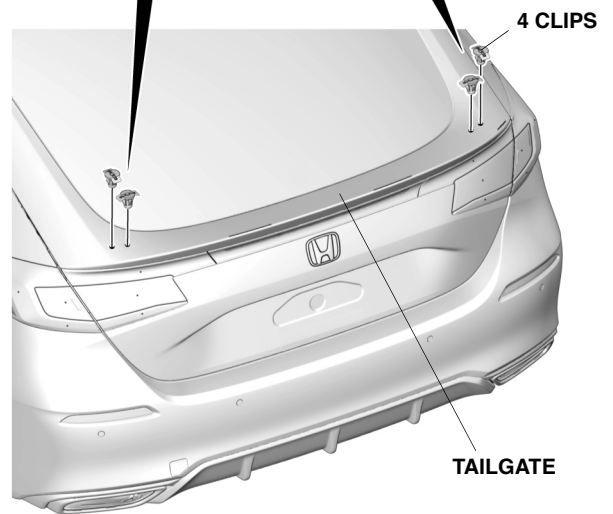
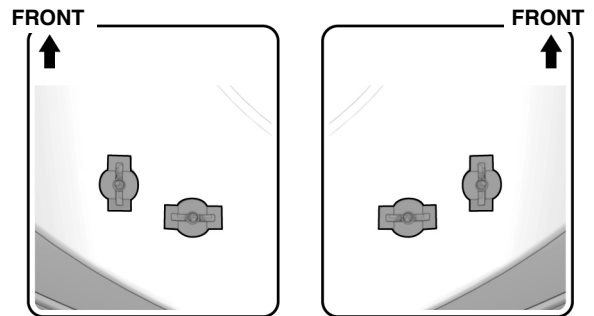
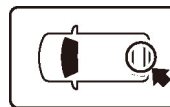
24. Remove any shavings.

25. Remove the masking tape.

26. Install the clips.

NOTICE

- Make sure to install the clip in the correct orientation.

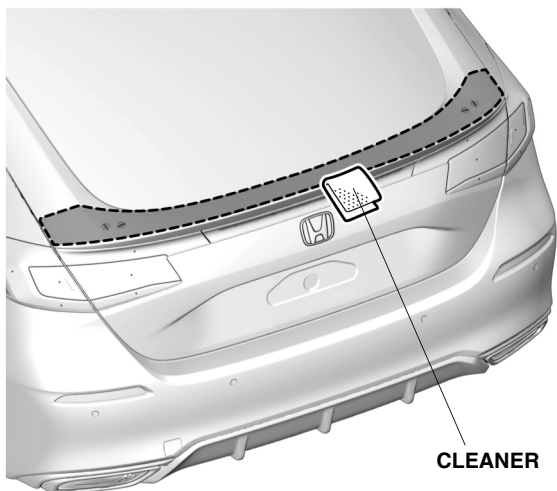


QL00111AU

27. Clean the tailgate.

NOTICE

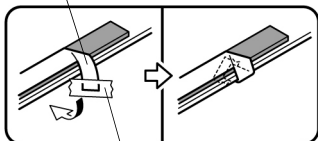
- Allow to dry thoroughly.



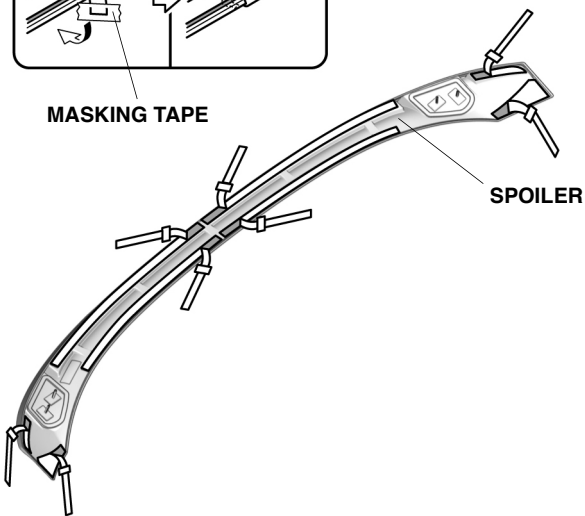
QL00112AU

28. Temporarily attach the adhesive backings.

8 ADHESIVE BACKINGS

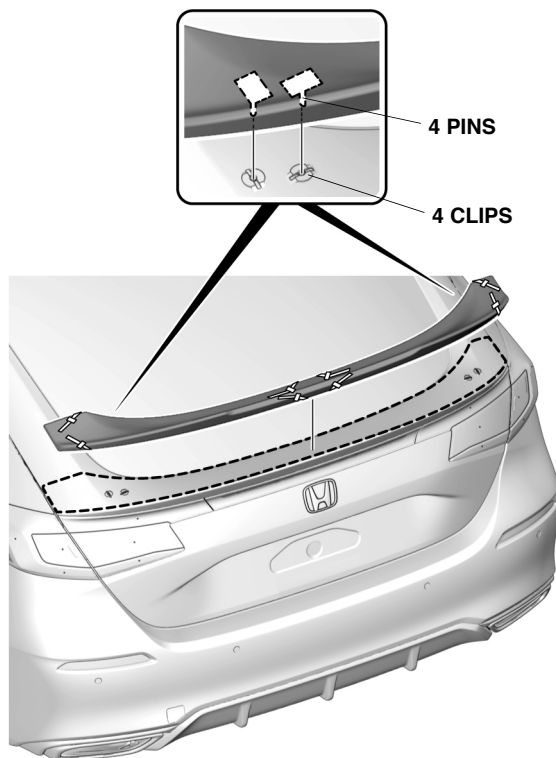


MASKING TAPE



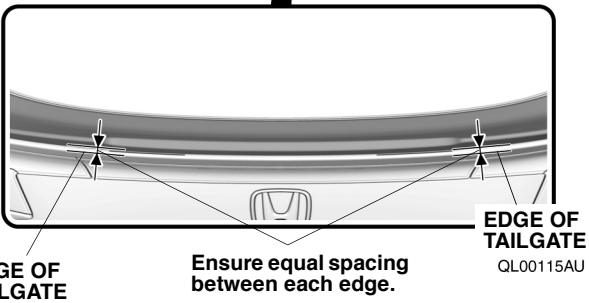
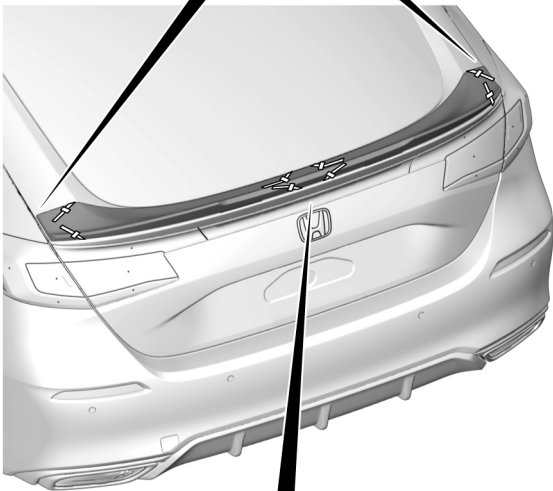
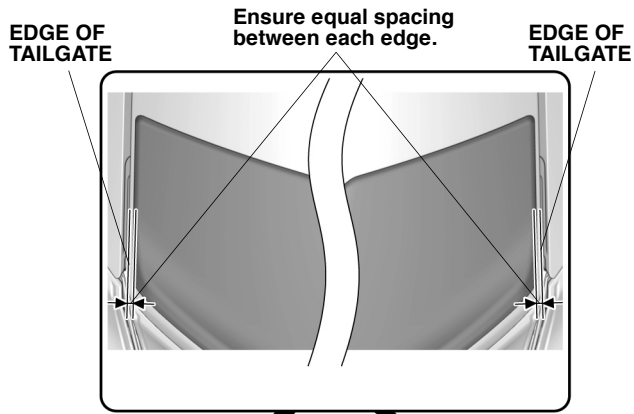
QL00113BU

29. Loosely install the spoiler.



QL00114AU

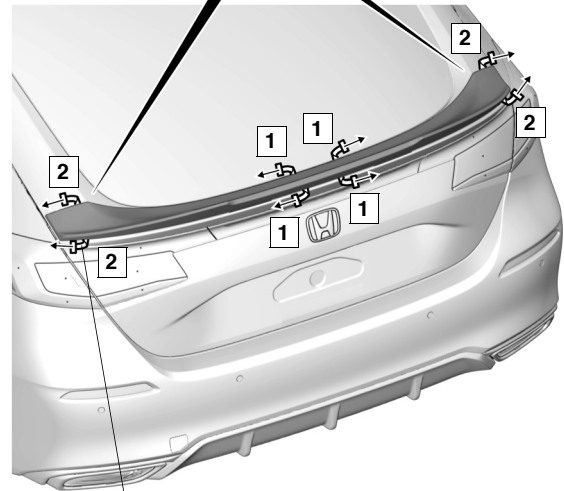
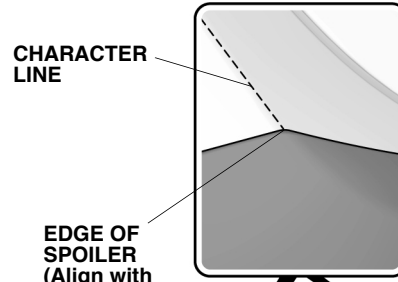
30. Align the spoiler.



31. Loosely secure the spoiler.

NOTICE

- Install in the order shown.



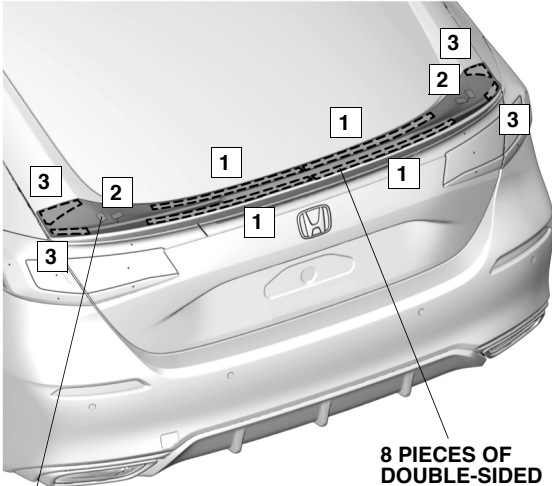
8 ADHESIVE BACKINGS

QL00118BU

32. Secure the spoiler.

NOTICE

- Install in the order shown.
- Check the position of the double-sided adhesive tape and press until the vehicle body rocks (49N (5kgf) or more).
- Make sure that there is no gap between the double-sided adhesive tape and vehicle.



4 PINS



8 PIECES OF
DOUBLE-SIDED
ADHESIVE TAPE



QL00116CU

Check After Installation

33. Check that all parts are installed properly.

