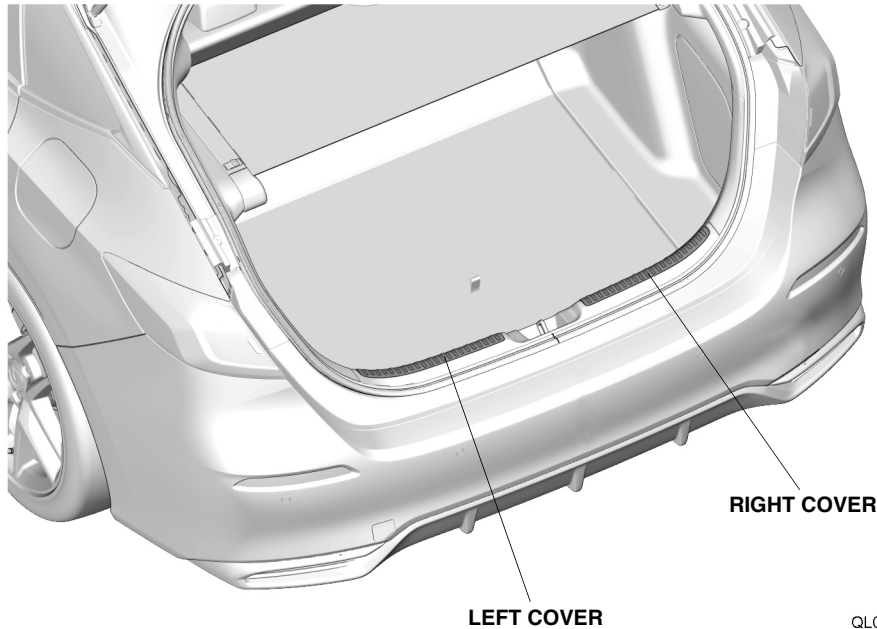


**REAR PANEL LINING COVERS*****CIVIC*****GENERAL VIEW**

QL00201AH

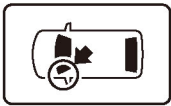
**FOR YOUR SAFETY (Read carefully)****Introduction of Symbol Messages**

- These symbols warn you about the possible hazards and explain how to avoid them. The symbols also provide you with some advice.

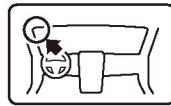
**⚠ DANGER****You will be killed or seriously hurt if you do not follow the instructions.****⚠ WARNING****You may be killed or seriously hurt if you do not follow the instructions.****⚠ CAUTION****You may be hurt if you do not follow the instructions.****NOTICE****Gives advice to prevent damage to the product.****Gives helpful information or instructions to be followed in using the product.****Indicates prohibited actions.**

## Introduction of Icons

- These icons indicate the working place and the worker's viewing angle.



The place for the vehicle.



The place for the instrument panel.

- These icons indicate the necessary actions that need to be taken to ensure your safety and the success of the work.



Wear eye protection.



Wear heavy gloves.



Work with an assistant.



Place the part on a blanket.



Remove any burrs.



Use the touch-up paint and dry.



Keep the parts and give them to the customer. (Do not use)



Press firmly.



Tighten by the specified torque.



Work perpendicularly.



Clean with the contact cleaner.

## Safety: General

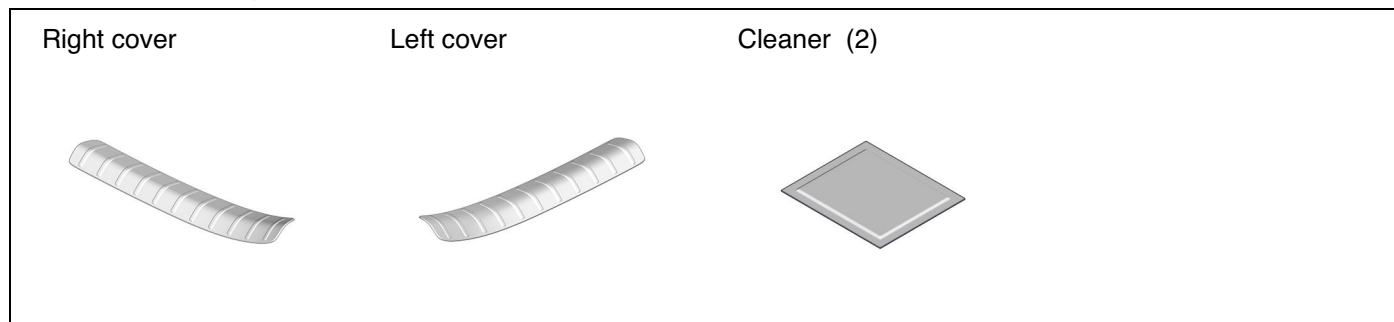
- Be careful not to damage the vehicle and the parts.
- The illustrations may differ a little from the actual accessories for the design change of the vehicle.

## Safety: For the Accessory

- **Do not carry out any installation or attachment work in an area that receives direct sunlight or in an area where dust is present.**
- **Always install these accessories at the ambient air temperature 15°C (60°F) or above.**
- **Heat the accessories and bonding surfaces if the ambient air temperature is below 15°C (60°F).**
- **Attach the accessories by pressing them firmly with the palm of your hand. Be careful not to damage the accessories and the vehicle parts.**
- **Carefully place the double-sided adhesive tape in the proper position. Once the double-sided adhesive tape touches the surface, do not try to detach and relocate the tape. If you attempt to move the tape after it comes into contact with the surface, you will damage the part before the adhesive can be detached.**
- **Do not wash or wet the vehicle for 24 hours to allow the adhesive to cure.**

# PARTS LIST

## Rear Panel Lining Cover Kit



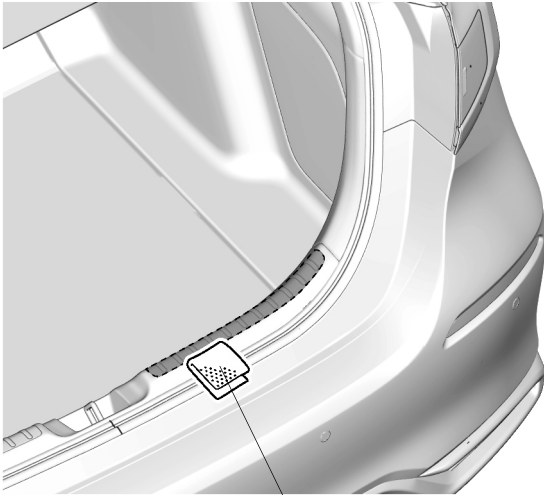
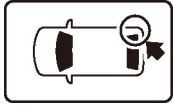
# INSTALLATION

## Installing the Covers

1. Clean the attaching area.

### NOTICE

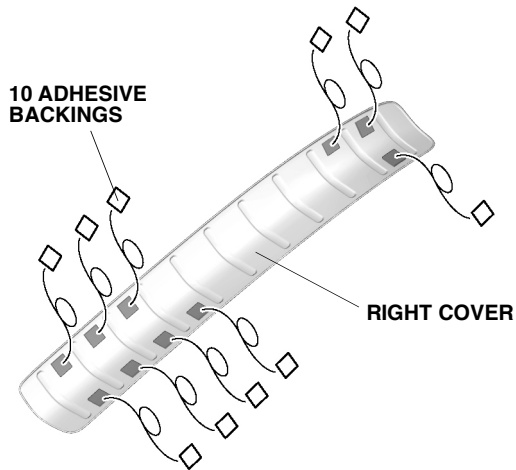
- Allow to dry thoroughly.



CLEANER

QL00202AH

2. Remove the adhesive backings.



10 ADHESIVE BACKINGS

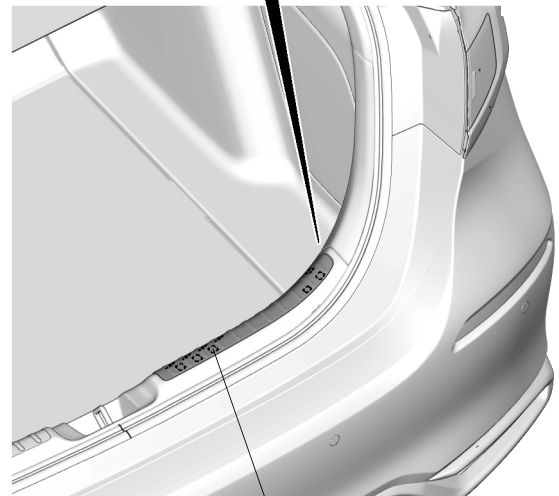
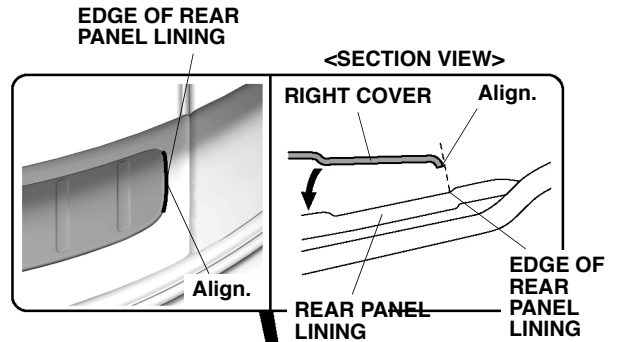
RIGHT COVER

QL00203CH

3. Attach the right-hand cover.

### NOTICE

- Check the position of the pieces of double-sided adhesive tape and press firmly.

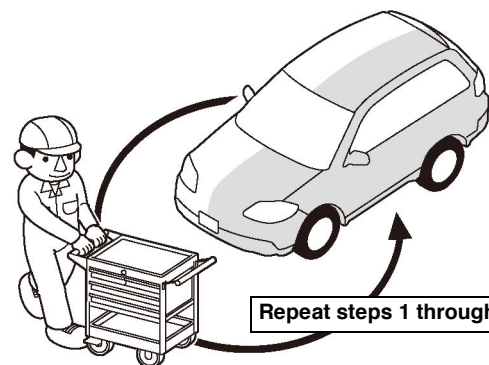


10 PIECES OF DOUBLE-SIDED ADHESIVE TAPE

QL00204DH



4. Repeat the same procedures on the other side.



Repeat steps 1 through 3.

Q9D1013AM

5. Check that all parts are installed properly. (End of installation)