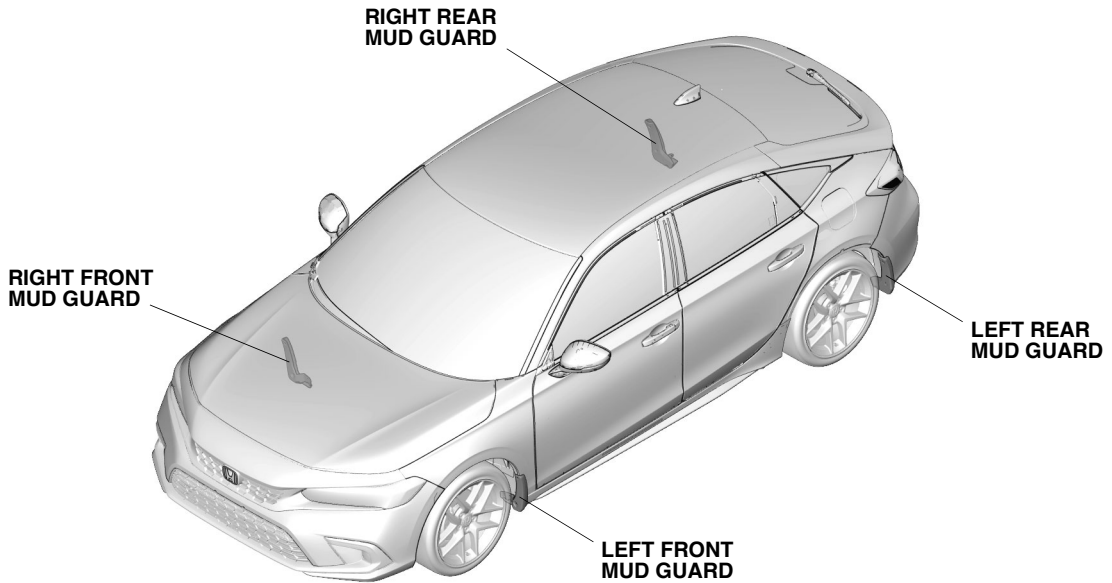


MUD GUARDS	<i>CIVIC</i>
------------	--------------

GENERAL VIEW



QL10901AT

FOR YOUR SAFETY (Read carefully)

Introduction of Symbol Messages

- These symbols warn you about the possible hazards and explain how to avoid them. The symbols also provide you with some advice.

⚠ DANGER You will be killed or seriously hurt if you do not follow the instructions.

⚠ WARNING You may be killed or seriously hurt if you do not follow the instructions.

⚠ CAUTION You may be hurt if you do not follow the instructions.

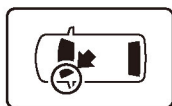
NOTICE Gives advice to prevent damage to the product.
Gives helpful information or instructions to be followed in using the product.



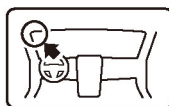
Indicates prohibited actions.

Introduction of Icons

- These icons indicate the working place and the worker's viewing angle.



The place for the vehicle.



The place for the instrument panel.

- These icons indicate the necessary actions that need to be taken to ensure your safety and the success of the work.



Wear eye protection.



Wear heavy gloves.



Work with an assistant.



Place the part on a blanket.



Remove any burrs.



Use the touch-up paint and dry.



Keep the parts and give them to the customer. (Do not use)



Press firmly.



Tighten by the specified torque.



Work perpendicularly.



Clean with the contact cleaner.

Safety: General

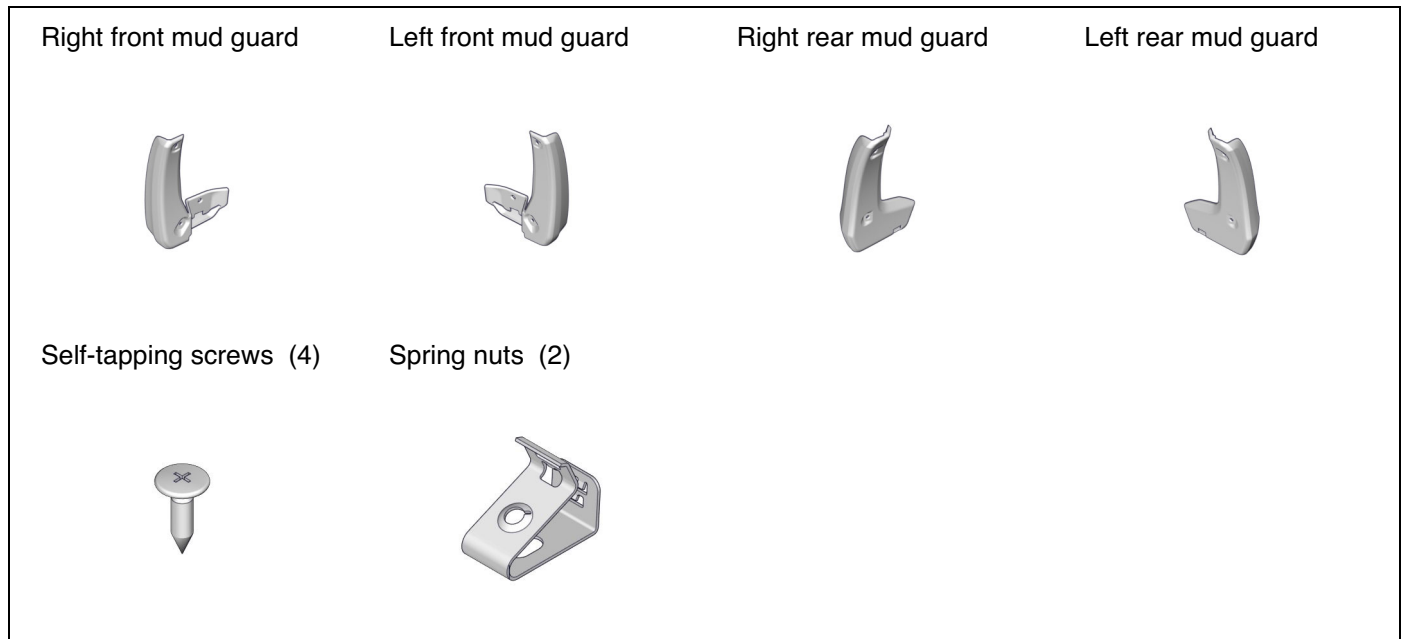
- Follow all safety information and precautions described in the workshop manual in addition to those described in these installation instructions. Most importantly, take extreme care to ensure your own safety and the safety of others.
- Be careful not to damage the vehicle and the parts.
- Be extremely careful when you handle the retaining tabs and clips.
- Note the locations of the parts before removing them so that they can be reinstalled in their original positions properly.
- The illustrations may differ a little from the actual accessories for the design change of the vehicle.

Safety: For the Accessory

- **Always use the parts and tools specified in the installation instructions.**

PARTS LIST

Mud Guard Kit



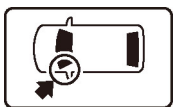
TOOLS AND SUPPLIES REQUIRED

- Pushpin
- Ruler
- Phillips screwdriver
- Utility knife
- Stubby Phillips screwdriver
- File

INSTALLATION

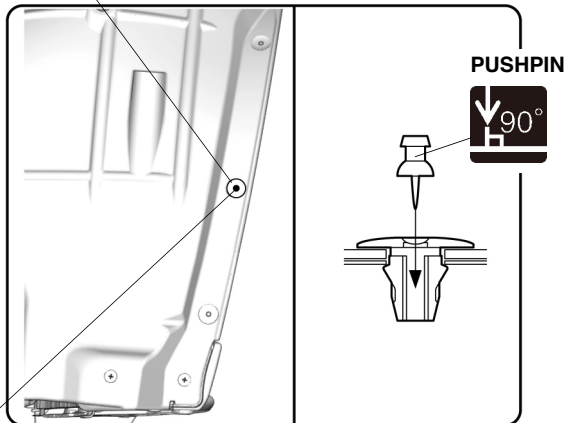
Installing the Front Mud Guards

1. Turn the steering wheel fully anti-clockwise.
2. Pierce the clip.



CLIP

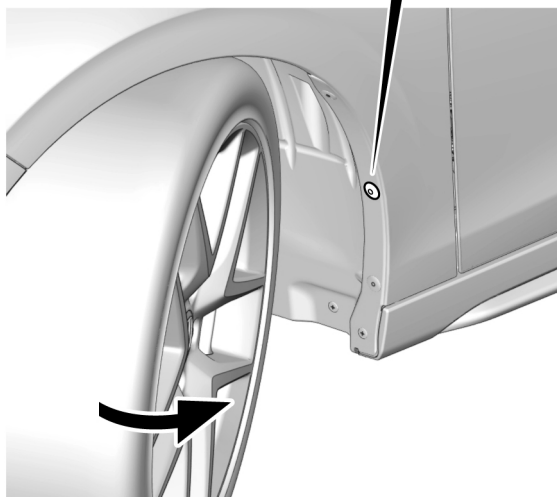
<SECTION VIEW>



PUSHPIN

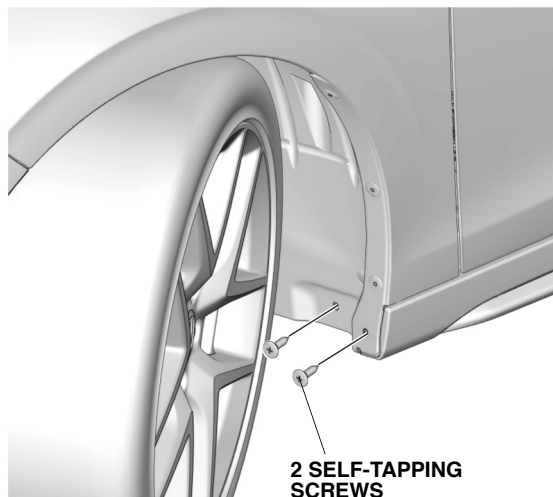


MARK



QKN0402AJ

3. Remove the self-tapping screws.



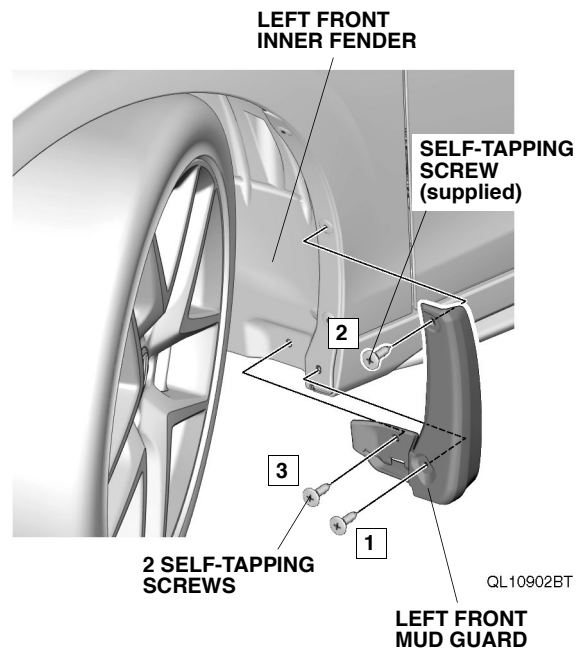
2 SELF-TAPPING SCREWS

QKN0403AJ

4. Install the left front mud guard.

NOTICE

- Install in the order shown.
- Make sure that there is no gap between the mud guard and the vehicle.
- Make sure that the mud guard is properly installed.



LEFT FRONT INNER FENDER

SELF-TAPPING SCREW (supplied)

2

3

1

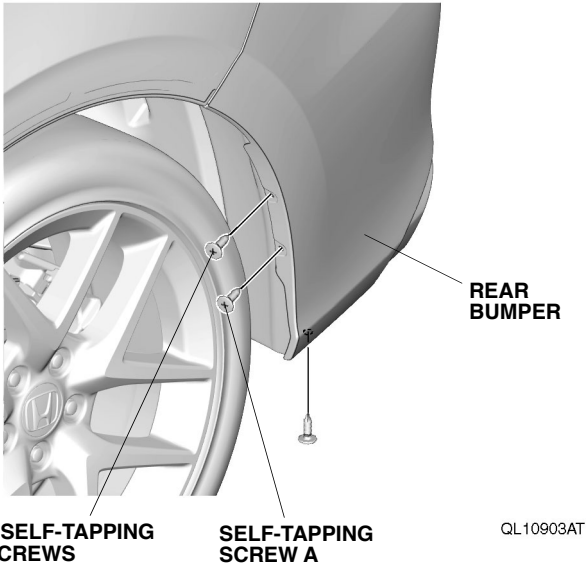
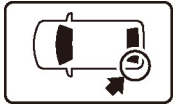
2 SELF-TAPPING SCREWS

QL10902BT

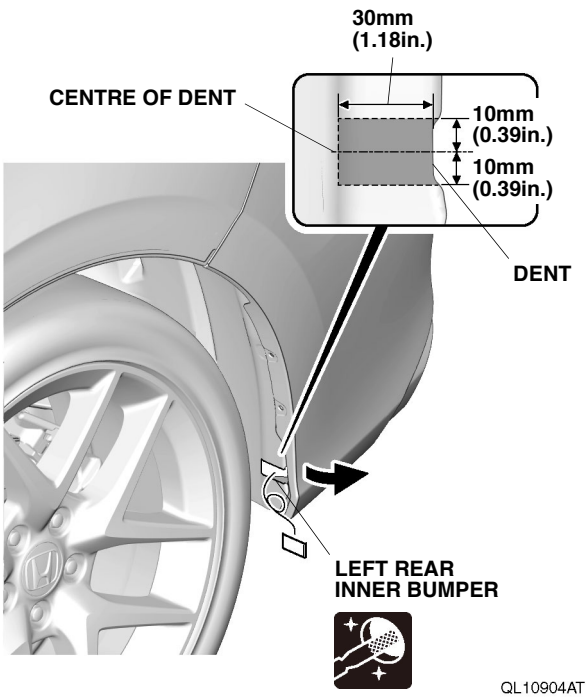
LEFT FRONT MUD GUARD

Installing the Rear Mud Guards

5. Remove the self-tapping screws.



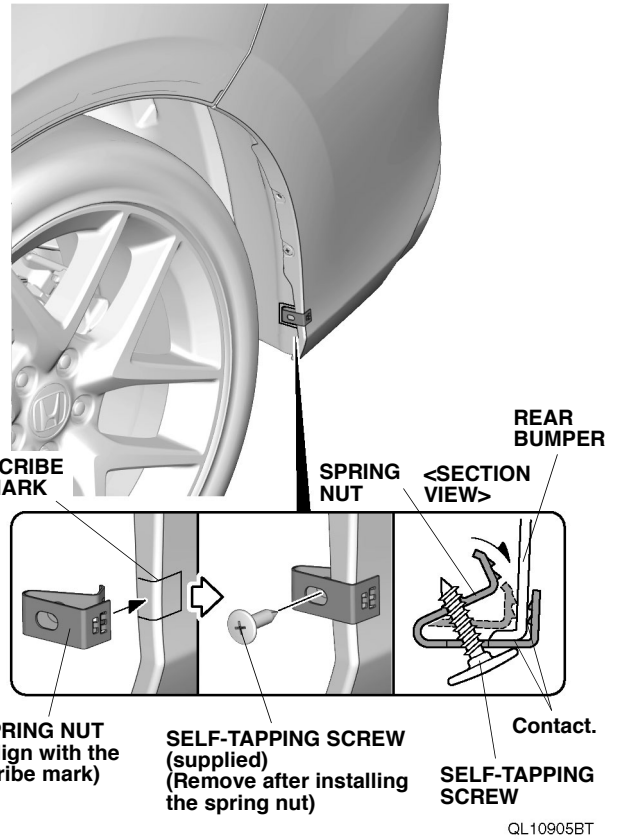
6. Cut the left rear inner bumper.



7. Reinstall self-tapping screw A.

8. Install the spring nut.

NOTICE
<ul style="list-style-type: none"> • Make sure to install the spring nut in the correct orientation.

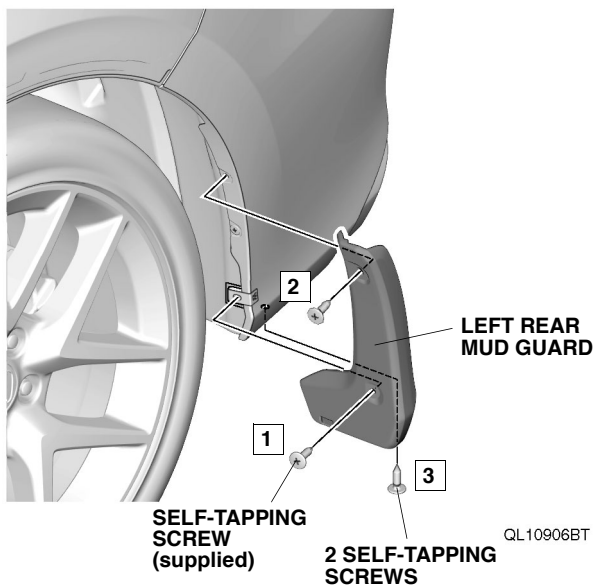


9. Remove the self-tapping screw.

10. Install the left rear mud guard.

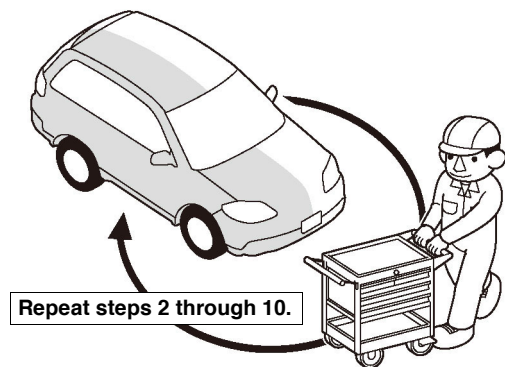
NOTICE

- Install in the order shown.
- Make sure that there is no gap between the mud guard and the vehicle.
- Make sure that the mud guard is properly installed.



11. Turn the steering wheel fully clockwise.

12. Repeat the same procedures on the other side.



Q9D1014AM

Check After Installation

13. Check that all parts are installed properly.

