



CARGO MAT

OWNER'S MANUAL


ENGLISH

Thank you for purchasing a Honda product.

Please read this Owner's Manual before using the Honda product and keep it in the glove box for future reference.

- This product is designed to be used exclusively with Honda vehicles. Honda is not responsible for the product if it is installed in any vehicles other than suitable Honda vehicles.
For information on the applicable models, please contact your Honda dealer.
- The Owner's Manual should be considered a permanent part of your vehicle. The manual should remain with the vehicle at all times and stay with the vehicle if the vehicle is sold.

SPECIAL MESSAGES

- Honda provides many important safety messages in this manual. To ensure your safety and the safety of others, please pay special attention to all the warnings that are preceded by this alert symbol .
Failure to follow the warnings contained in this manual may result in serious injury or accident.



DANGER

- Indicates that severe personal injury or death will result if the instructions are not followed.



WARNING

- Indicates a strong possibility that serious injury or death may result if instructions are not followed.



CAUTION

- Indicates a possibility that minor personal injury may result if instructions are not followed.

SYMBOLS

- If instructions are preceded by the following symbols, the instructions give helpful advice or information.



ADVICE

- Provides advice to prevent damage to the product.
- Gives advice to handle emergency situations.



INFORMATION

- Gives helpful information or instructions to be followed in using the product.

INSTALLATION

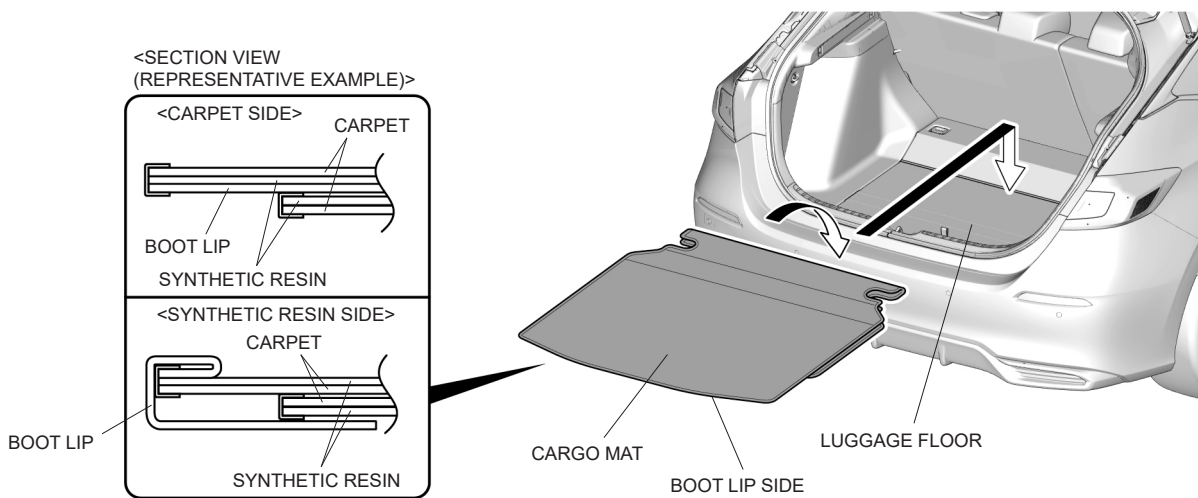
When the rear seat back is upright

- Fold the cargo mat and place it on the luggage floor.



INFORMATION

- The cargo mat can be used on either the carpet side or the synthetic resin side.
- The boot lip may be placed on or under the cargo mat. The section view is an example.



QL021010J

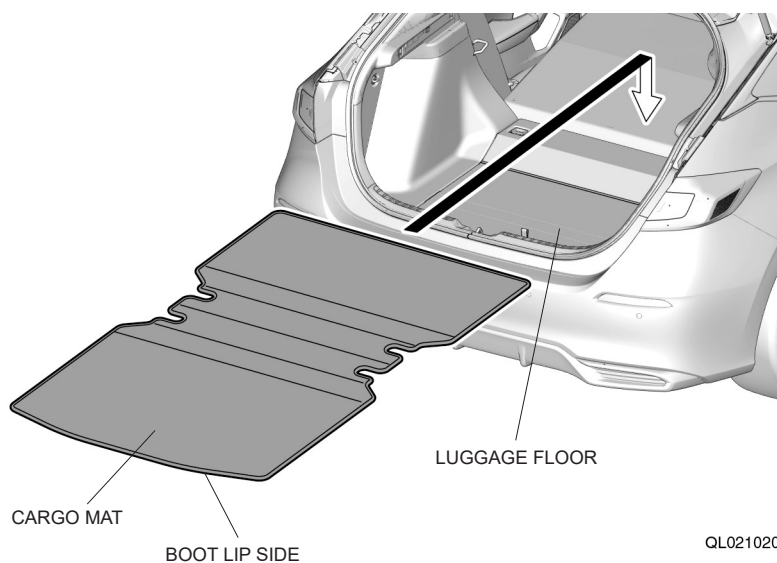
When the rear seat is folded

- Unfold the cargo mat and place it on the luggage floor.



INFORMATION

- The cargo mat can be used on either the carpet side or the synthetic resin side.
- The boot lip may be placed on or under the cargo mat.



QL021020J

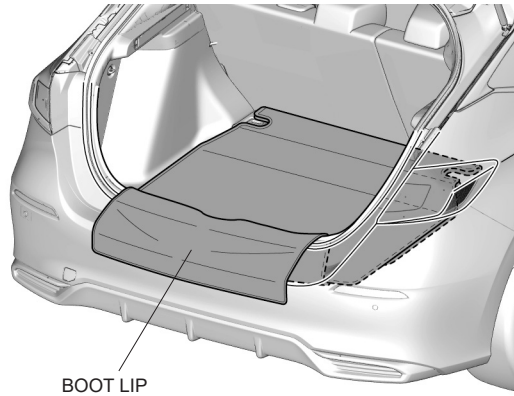
USING THE BOOT LIP

- The cargo mat protects the bumper from scratches caused by loading and unloading.



ADVICE

When you close the tailgate, return the boot lip to the car.



BOOT LIP

QL021030J