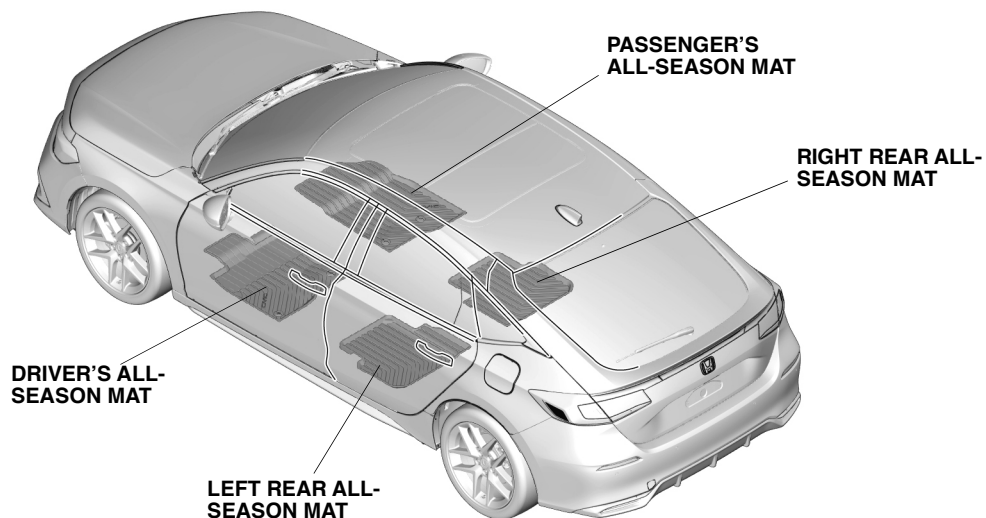


ALL-SEASON MATS

*CIVIC*

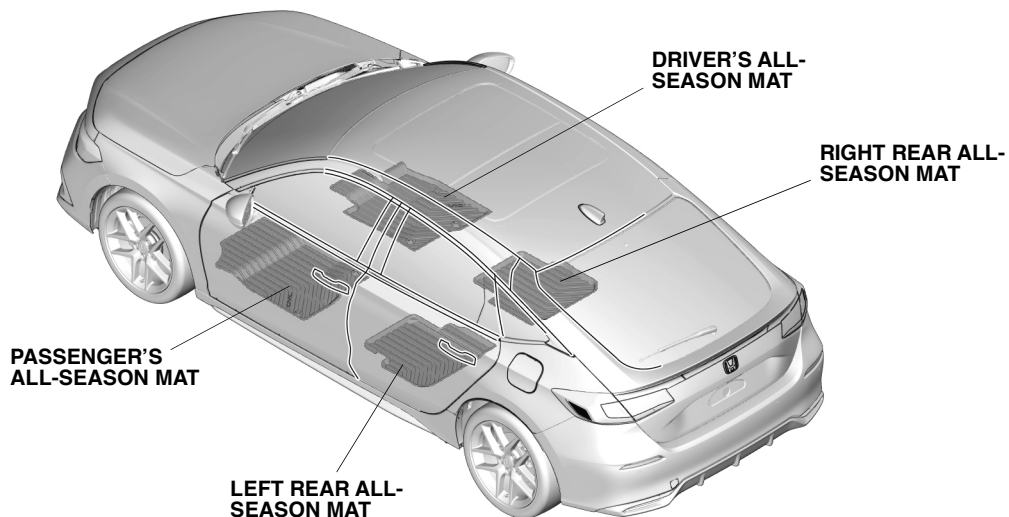
### GENERAL VIEW

<LHD models>



QL02001AJ

<RHD models>



QL02002AJ

# FOR YOUR SAFETY (Read carefully)

## Introduction of Symbol Messages

- These symbols warn you about the possible hazards and explain how to avoid them. The symbols also provide you with some advice.



You will be killed or seriously hurt if you do not follow the instructions.



You may be killed or seriously hurt if you do not follow the instructions.



You may be hurt if you do not follow the instructions.



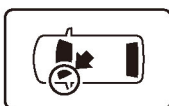
Gives advice to prevent damage to the product.  
Gives helpful information or instructions to be followed in using the product.



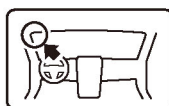
Indicates prohibited actions.

## Introduction of Icons

- These icons indicate the working place and the worker's viewing angle.



The place for the vehicle.



The place for the instrument panel.

- These icons indicate the necessary actions that need to be taken to ensure your safety and the success of the work.



Wear eye protection.



Wear heavy gloves.



Work with an assistant.



Place the part on a blanket.



Remove any burrs.



Use the touch-up paint and dry.



Keep the parts and give them to the customer. (Do not use)



Press firmly.



Tighten by the specified torque.



Work perpendicularly.



Clean with the contact cleaner.

## Safety: General

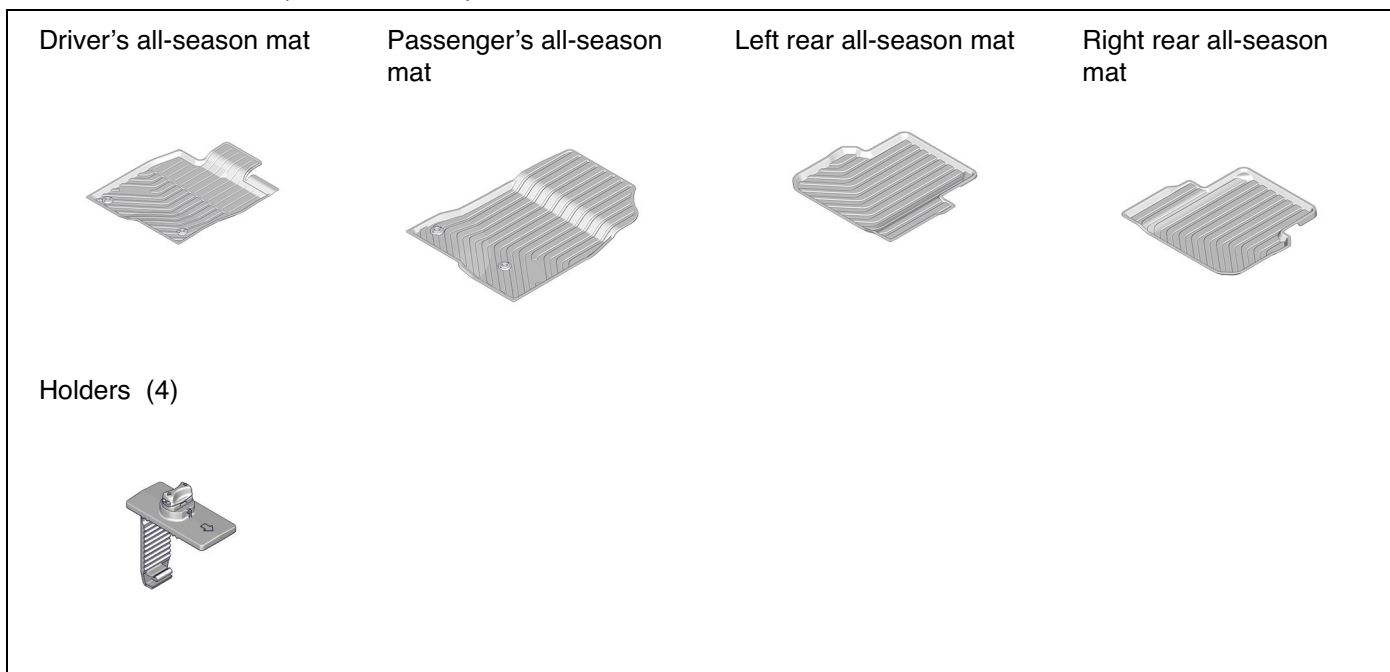
- Be careful not to damage the vehicle and the parts.
- The illustrations may differ a little from the actual accessories for the design change of the vehicle.

## Safety: For the Accessories

- **Before installing the all-season mats, check the installation positions.**
- **Holders are required to prevent the mat from sliding forward and possibly interfering with the pedals.**
- **When replacing the all-season mat, use the factory-designed all-season mats compatible with the holders.**
- **Do not place additional mats on top of the all-season mats. The additional mats may slide forward and interfere with the pedal.**
- **Make sure to re-anchor the mats after removing the all-season mat.**
- **Identify each mat by the location mark on the back of each mat.**

## PARTS LIST

### All-Season Mat Kit (LHD Models)



## All-Season Mat Kit (RHD Models)



## TOOLS AND SUPPLIES REQUIRED

- Flat-tip screwdriver
- Utility knife

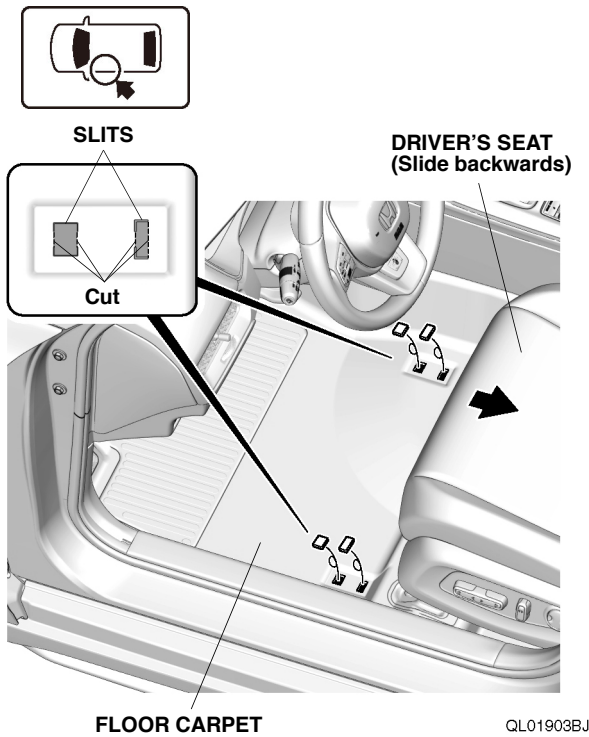
# INSTALLATION

## Installing the All-Season Mats

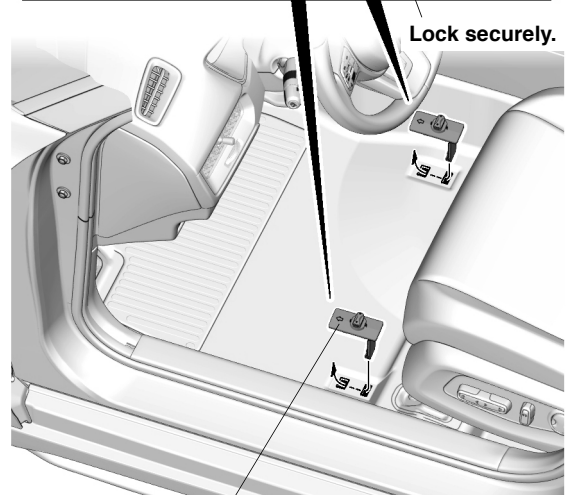
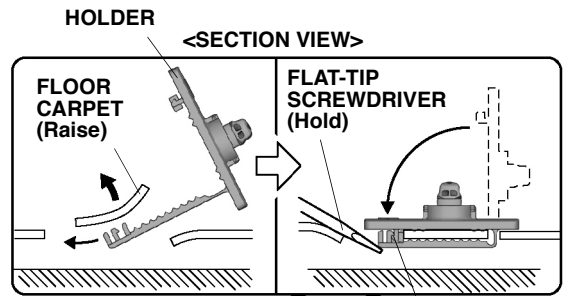
1. Follow the below guidance.

• LHD models	To step 2
• RHD models	To step 8

2. Cut out the floor carpet.



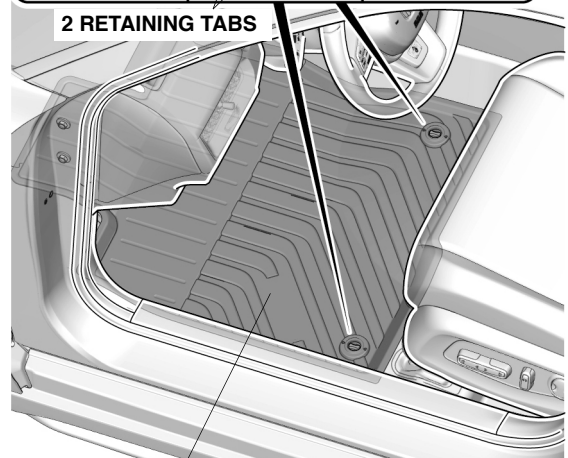
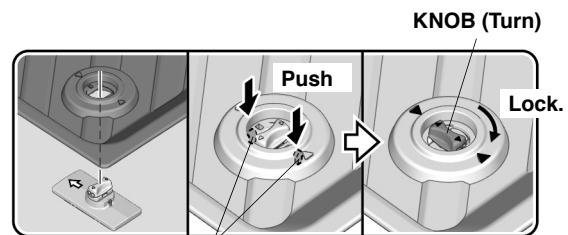
3. Install the holders.



2 HOLDERS

QL01904BJ

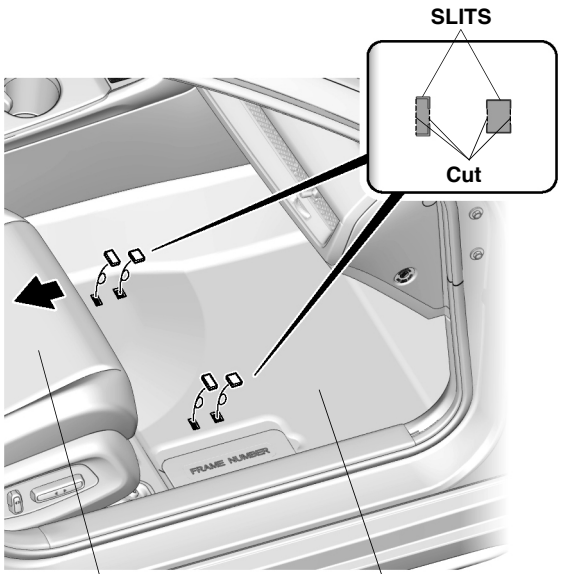
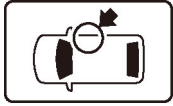
4. Install the driver's all-season mat.



DRIVER'S ALL-SEASON MAT

QL02003AJ

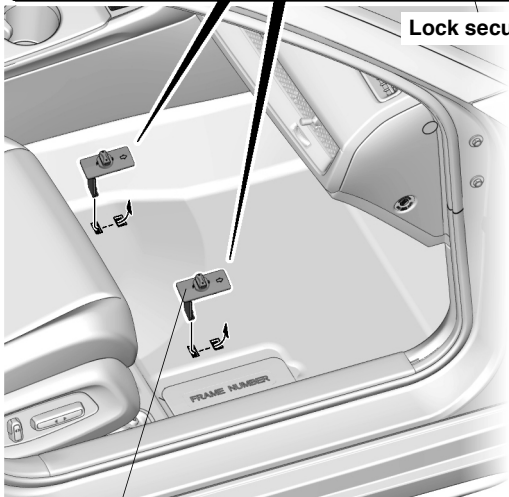
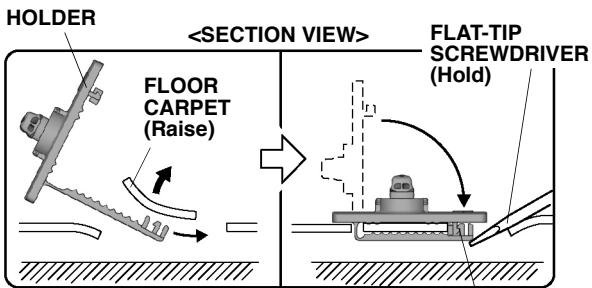
5. Cut out the floor carpet.



**PASSENGER'S SEAT**  
(Slide backwards)

**FLOOR CARPET** QL01906BJ

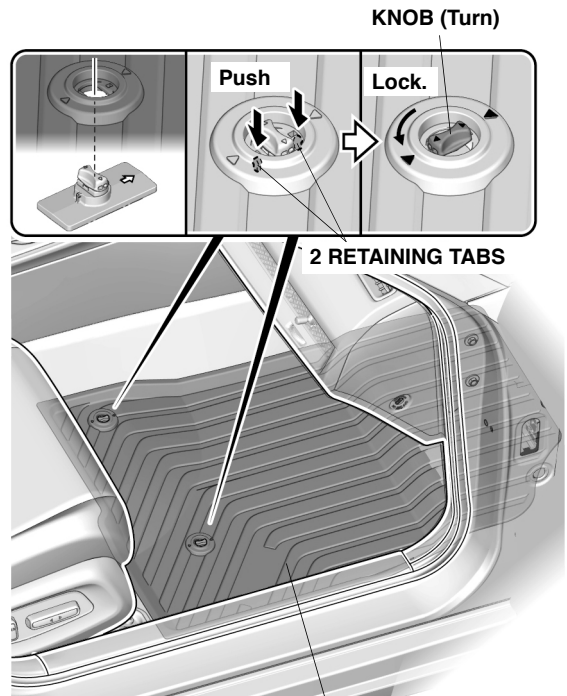
6. Install the holders.



**2 HOLDERS**

QL01907BJ

7. Install the passenger's all-season mat.

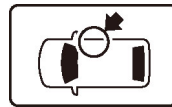


**PASSENGER'S ALL-SEASON MAT**

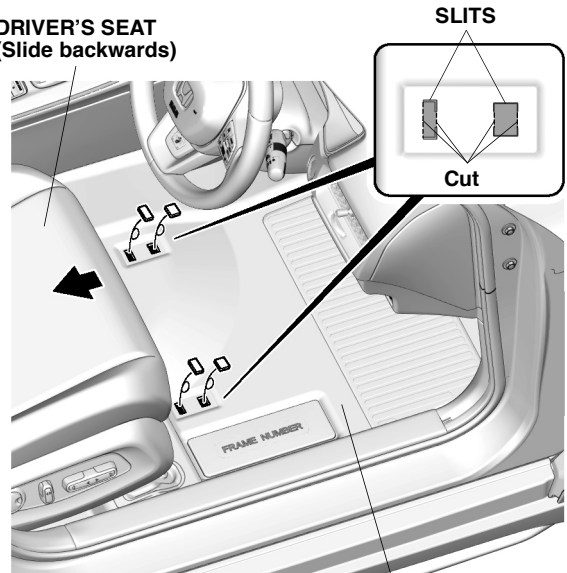
QL02004AJ

To step 14

8. Cut out the floor carpet.



**DRIVER'S SEAT**  
(Slide backwards)

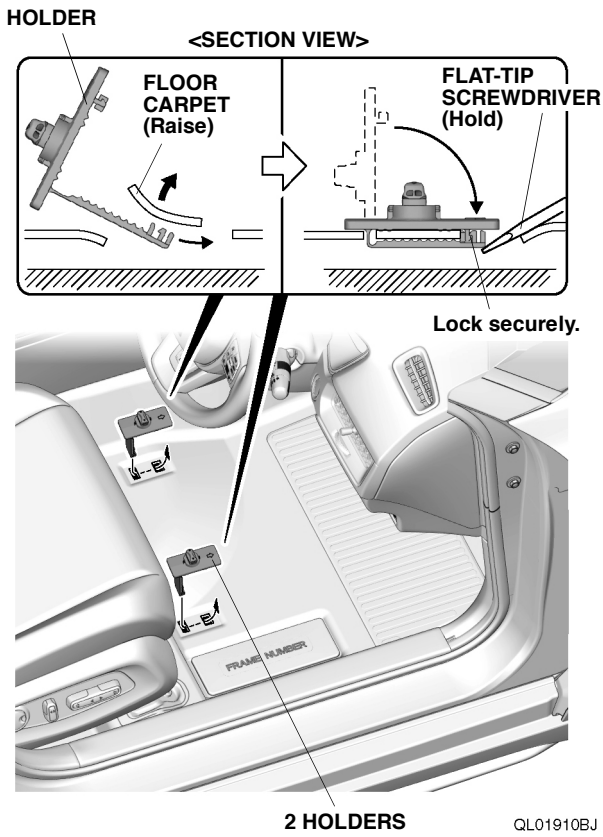


**FLOOR CARPET**

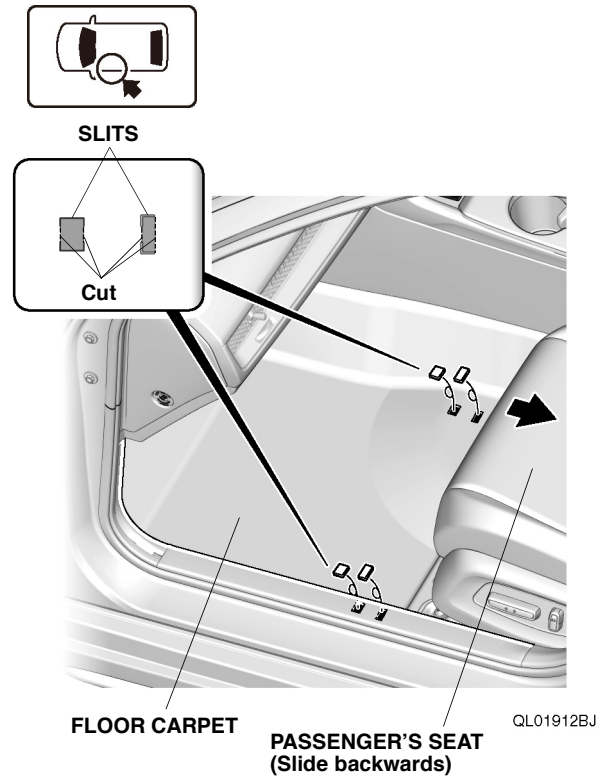
QL01909BJ



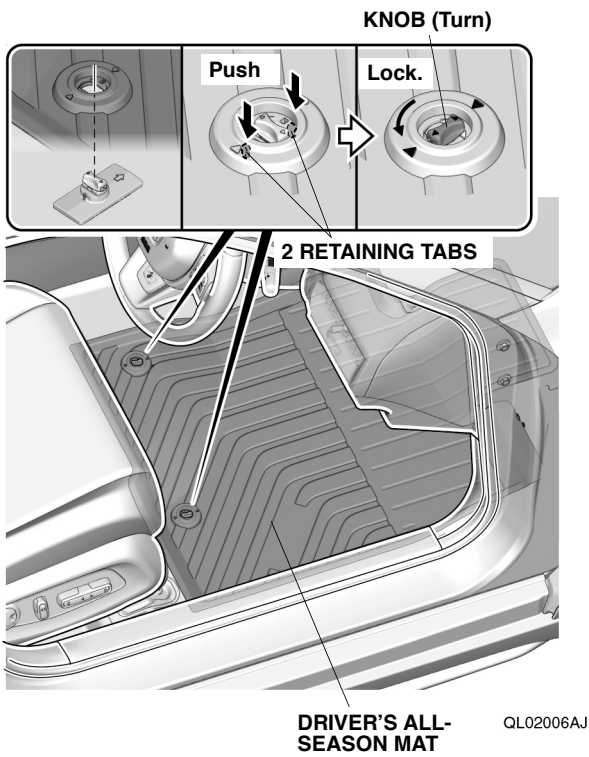
9. Install the holders.



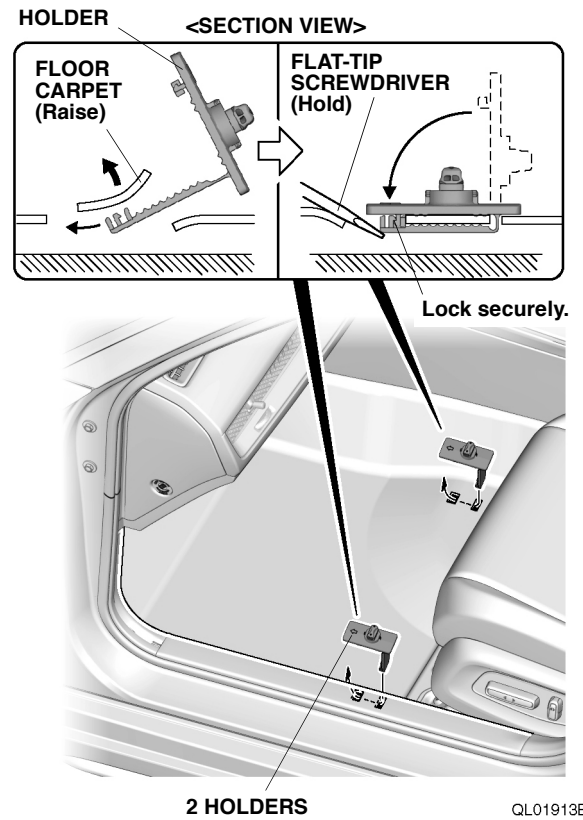
11. Cut out the floor carpet.



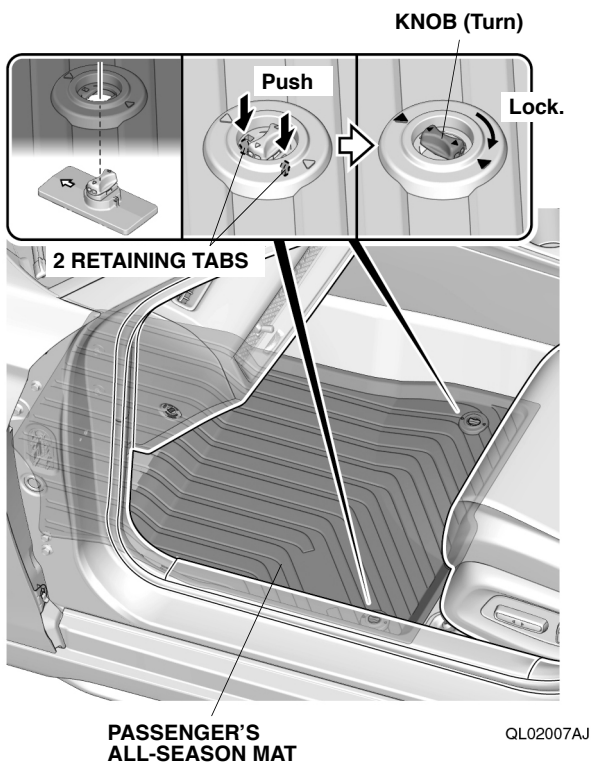
10. Install the driver's all-season mat.



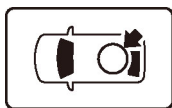
12. Install the holders.



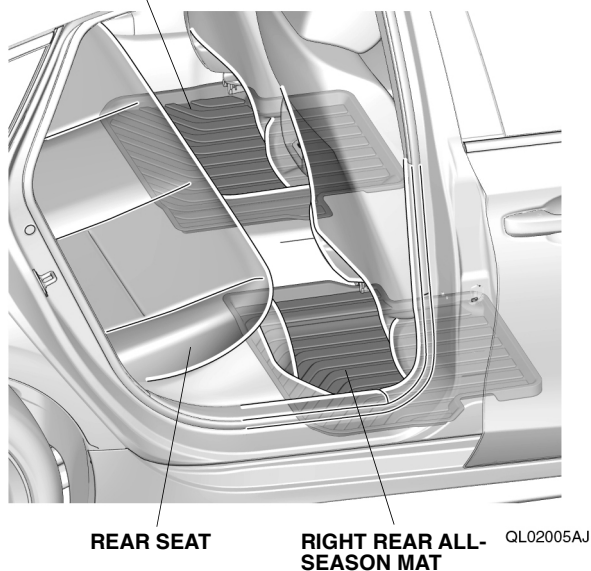
13. Install the passenger's all-season mat.



14. Install the left and right rear all-season mats.



**LEFT REAR ALL-SEASON MAT**



15. Check that all parts are installed properly.  
(End of installation)