



# REAR PASSENGER WINDOW SHADE

---

## OWNER'S MANUAL


# ENGLISH

Thank you for purchasing a Honda product.

Please read this Owner's Manual before using the Honda product and keep it in the glove box for future reference.

- This product is designed to be used exclusively with Honda vehicles. Honda is not responsible for the product if it is installed in any vehicles other than suitable Honda vehicles.  
For information on the applicable models, please contact your Honda dealer.
- The Owner's Manual should be considered a permanent part of your vehicle. The manual should remain with the vehicle at all times and stay with the vehicle if the vehicle is sold.

## SPECIAL MESSAGES

- Honda provides many important safety messages in this manual. To ensure your safety and the safety of others, please pay special attention to all the warnings that are preceded by this alert symbol .  
Failure to follow the warnings contained in this manual may result in serious injury or accident.



### **DANGER**

- Indicates that severe personal injury or death will result if the instructions are not followed.



### **WARNING**

- Indicates a strong possibility that serious injury or death may result if instructions are not followed.



### **CAUTION**

- Indicates a possibility that minor personal injury may result if instructions are not followed.

## SYMBOLS

- If instructions are preceded by the following symbols, the instructions give helpful advice or information.



### **ADVICE**

- Provides advice to prevent damage to the product.
- Gives advice to handle emergency situations.



### **INFORMATION**

Gives helpful information or instructions to be followed in using the product.

## SAFETY PRECAUTIONS

### CAUTION

- While you are driving, do not lower the rear window when the window shade is in place. If the rear window is lowered when you are driving, the window shade can be blown from the vehicle and cause injury.



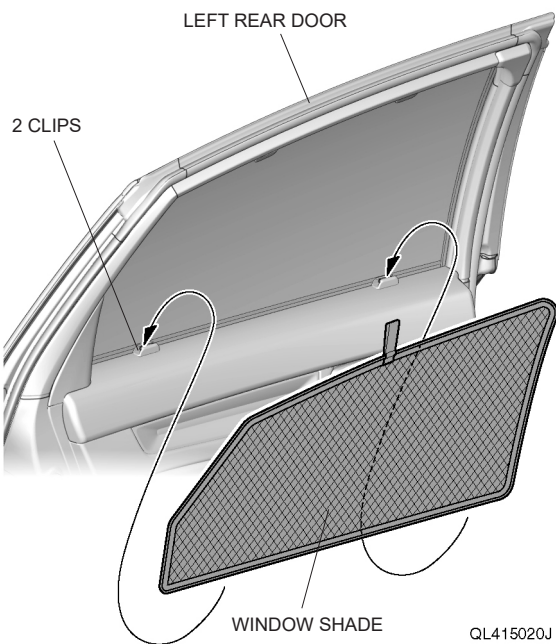
QL415010J

### ADVICE

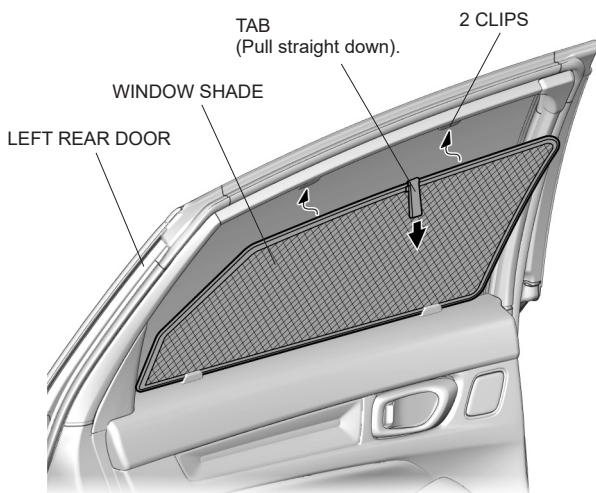
- Do not apply force to the window shade or the clip except when you are installing or removing the window shade. The window shade may become deformed or the clip may come off.

## INSTALLATION

1. Install the bottom of the window shade into the clips.



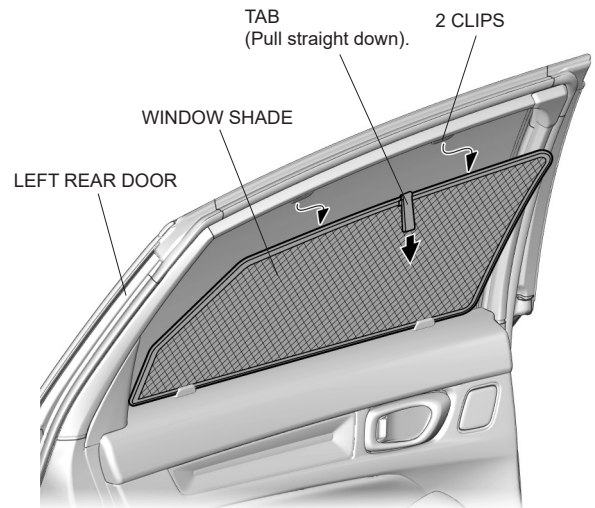
2. Install the top of the window shade into the clips, by pulling straight down on the tab.



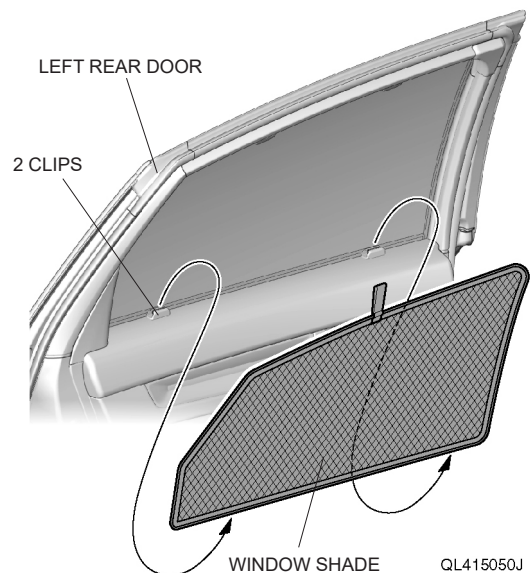
3. Repeat steps 1 and 2 for the right side of the vehicle.

## REMOVAL

1. Remove the top of the window shade from the clips, by pulling straight down on the tab.



2. Remove the bottom of the window shade from the clips.



3. Repeat steps 1 and 2 for the right side of the vehicle.

## STORAGE

- Store the window shades in the storage bag for safekeeping when they are not being used.

