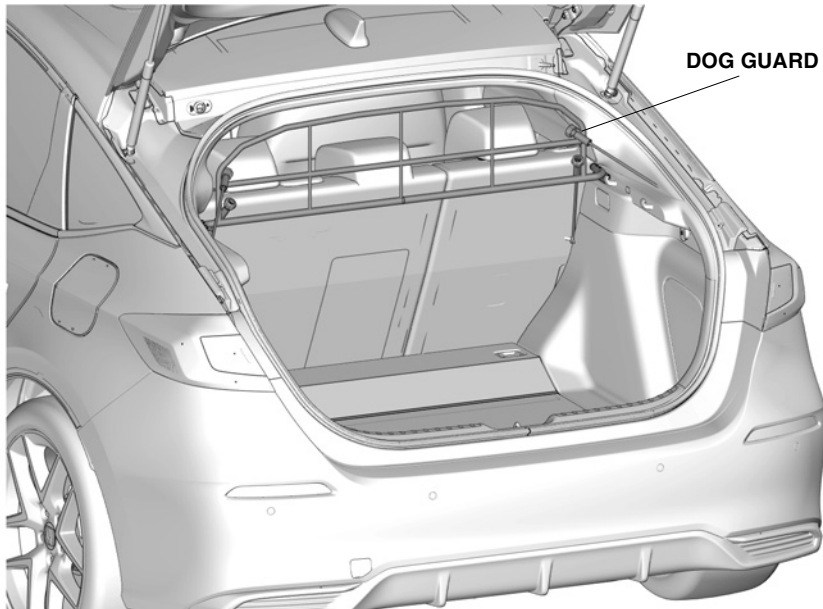


DOG GUARD***CIVIC*****GENERAL VIEW**

QL02601AJ

FOR YOUR SAFETY (Read carefully)**Introduction of Symbol Messages**

- These symbols warn you about the possible hazards and explain how to avoid them. And give you some advices.

⚠ DANGER

You will be killed or seriously hurt if you do not follow the instructions.

⚠ WARNING

You can be killed or seriously hurt if you do not follow the instructions.

⚠ CAUTION

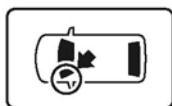
You can be hurt if you do not follow the instructions.

NOTICEGives advice to prevent damage to the product.
Gives helpful information or instructions to be followed in using the product.

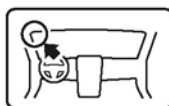
Indicates prohibited actions.

Introduction of Icons

- These icons indicate the working place and the worker's vision.



The place for the vehicle.



The place for the instrument panel.

- These icons indicate the necessary things for your safety and the work.



Wear eye protection.



Wear heavy gloves.



Work with an assistant.



Place the part on a blanket.



Remove any burrs.



Use the touch-up paint and dry.



Keep the parts and give it to the customer.
(Not use)



Press firmly.



Tighten by specified torque.



Work perpendicularly.



Clean with the contact cleaner.

Safety: General

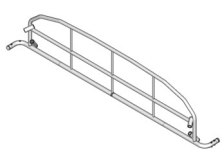


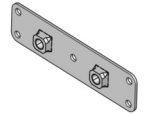
- Observe all safety notes and precautions described in the Shop Manual in addition to those described in this Installation Instructions. Be extremely careful for your safety and safety of others particularly.
- Be careful not to damage the vehicle and the parts.
- Note the locations of the parts before removing them so that they can be reinstalled in their original positions properly.
- The illustrations may differ a little from the actual accessories for the design change of the vehicle.

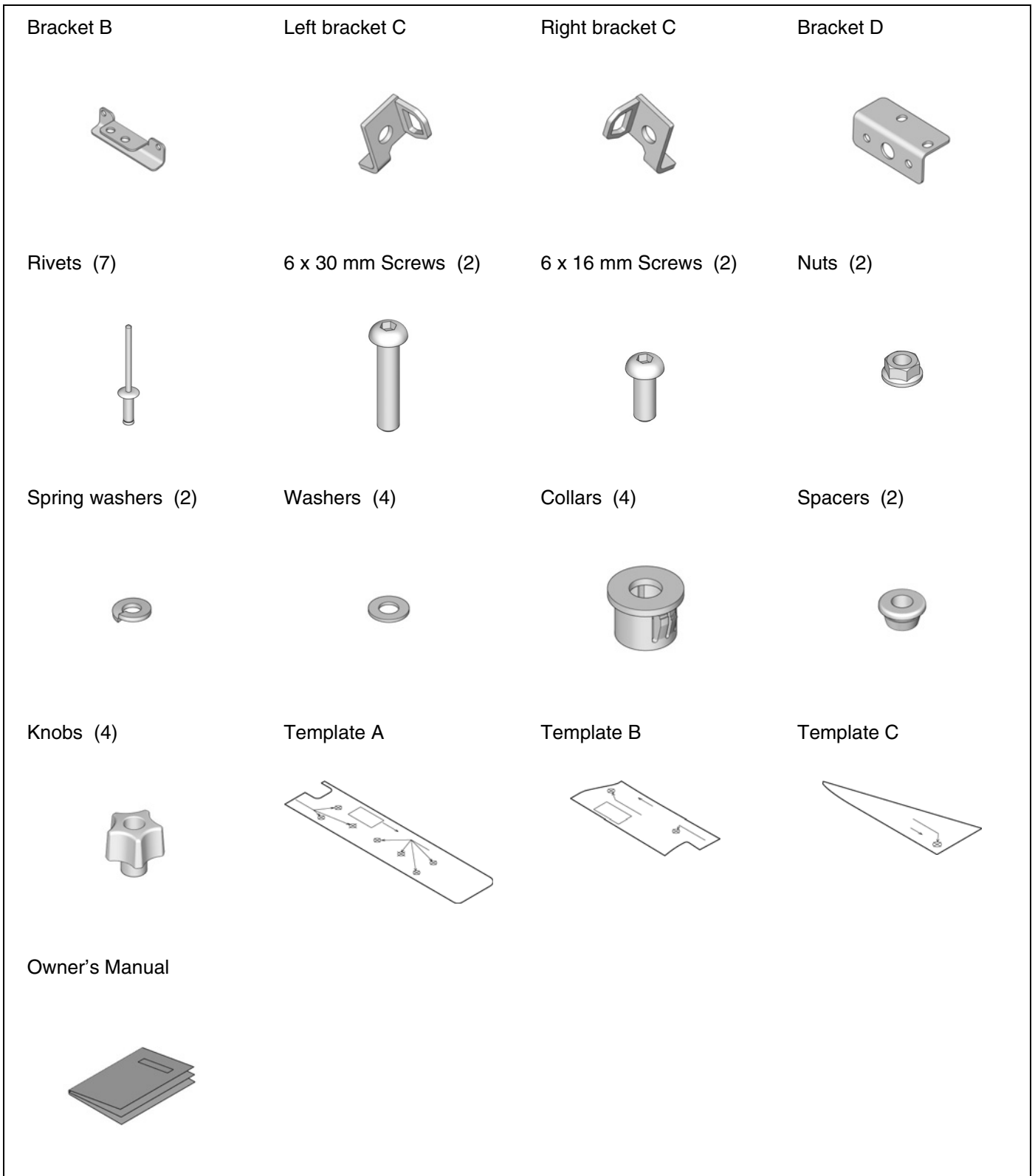
Safety: For the Accessory

- **Always use the parts and tools specified in the installation instructions.**

PARTS LIST

Dog Guard Kit

Dog guard	Hooks A (long) (2)	Hooks B (short) (2)	Bracket A
			



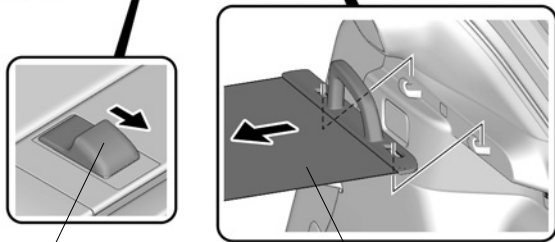
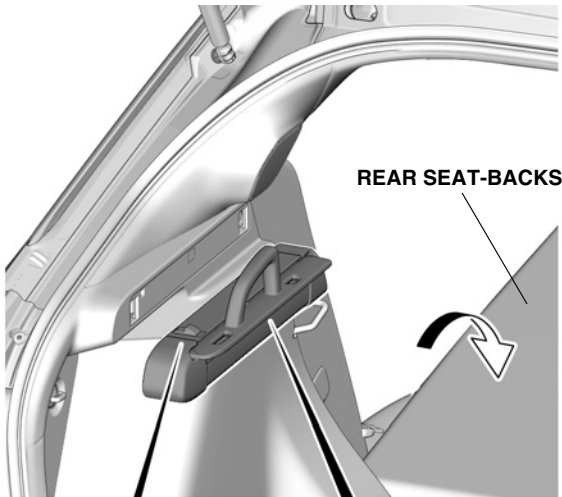
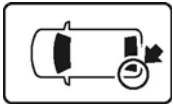
TOOLS AND SUPPLIES REQUIRED

- File
- Pushpin
- Masking tape
- Phillips screwdriver
- Handy remover
- Eye protection (face shield, safety goggles, etc.)
- 15 mm Hole saw
- Ruler
- Hand riveter
- Ratchet
- Torque wrench
- Drill
- Tape
- 4 mm Hex wrench
- 12 mm Socket
- 3 mm, 4 mm, 6 mm, 8 mm, and 10 mm Drill bits

INSTALLATION

Installing the Dog Guard

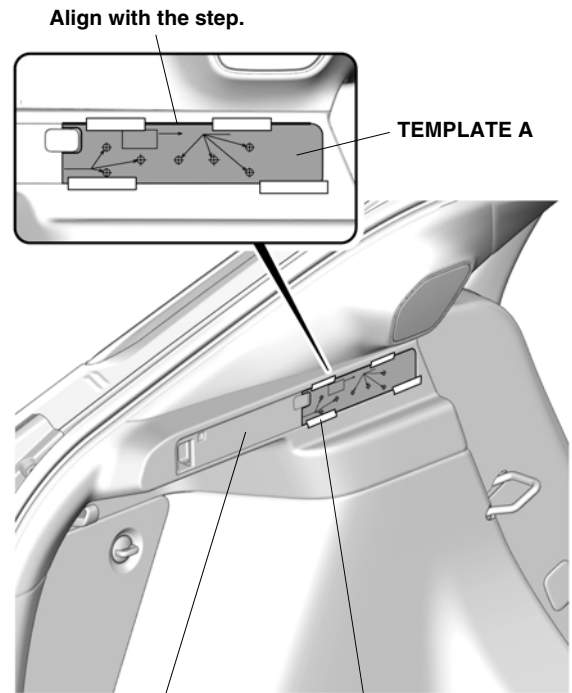
1. Open the tailgate.
2. Remove the tonneau cover.



QL02602AJ



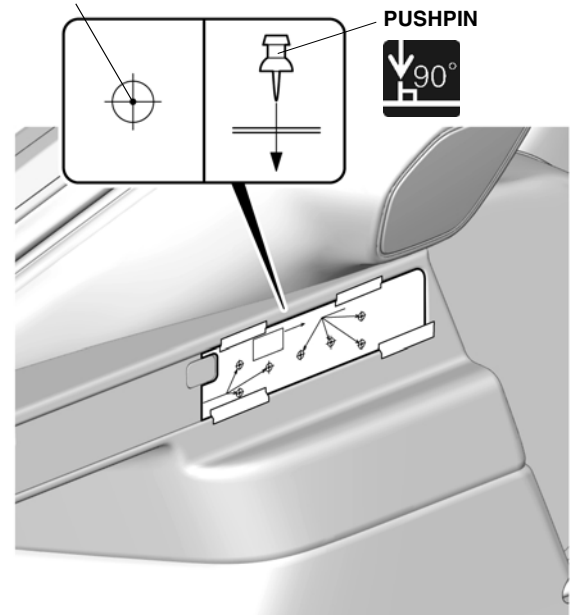
3. Secure the template A.



QL02603BJ

4. Pierce the left rear side trim panel.

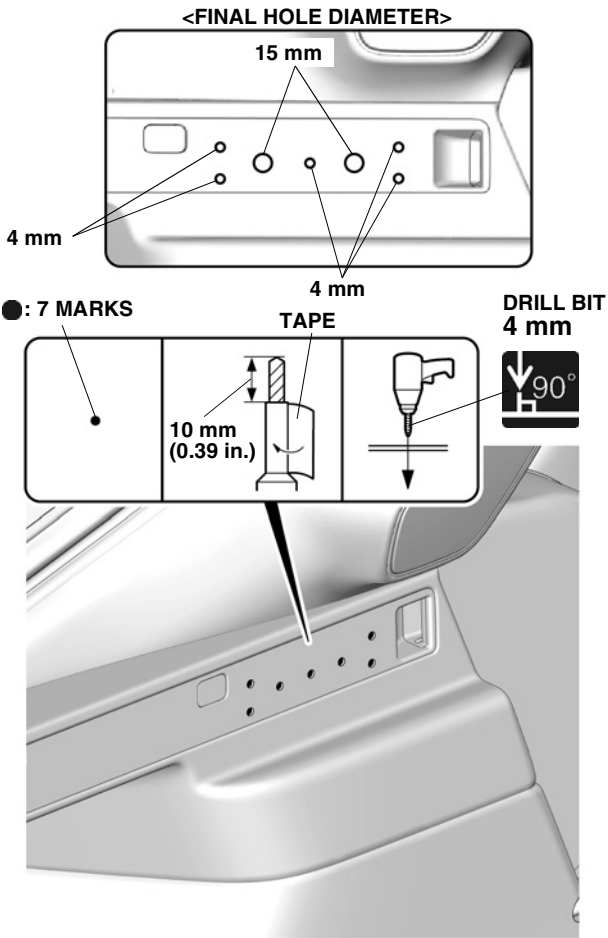
●: 7 MARKS



QL02604BJ

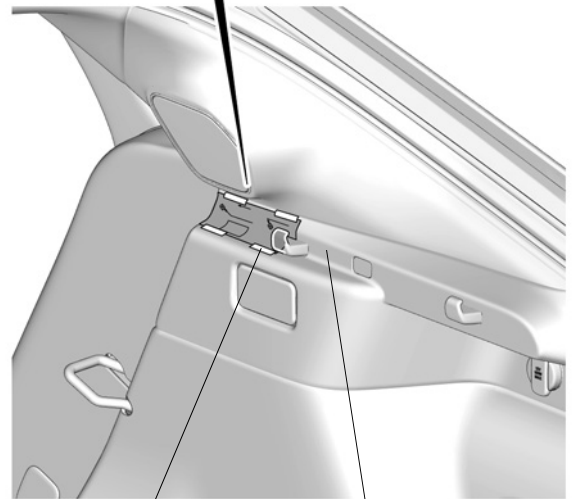
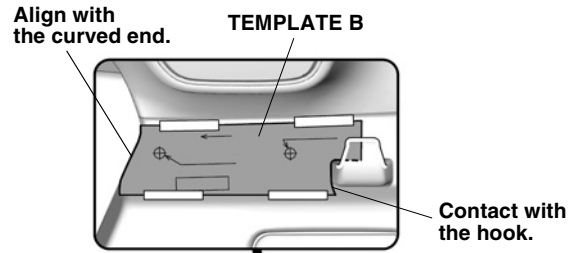
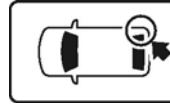
5. Remove the template A.

6. Drill the left rear side trim panel.



QL02605AJ

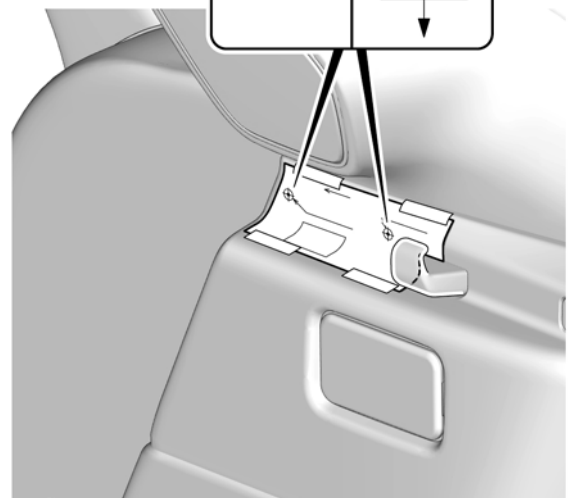
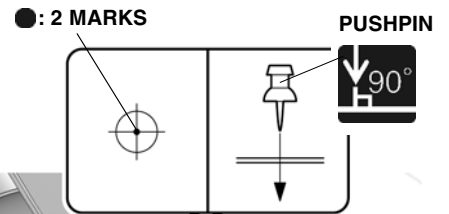
7. Secure the template B.



MASKING TAPES RIGHT REAR SIDE TRIM PANEL

QL02608AJ

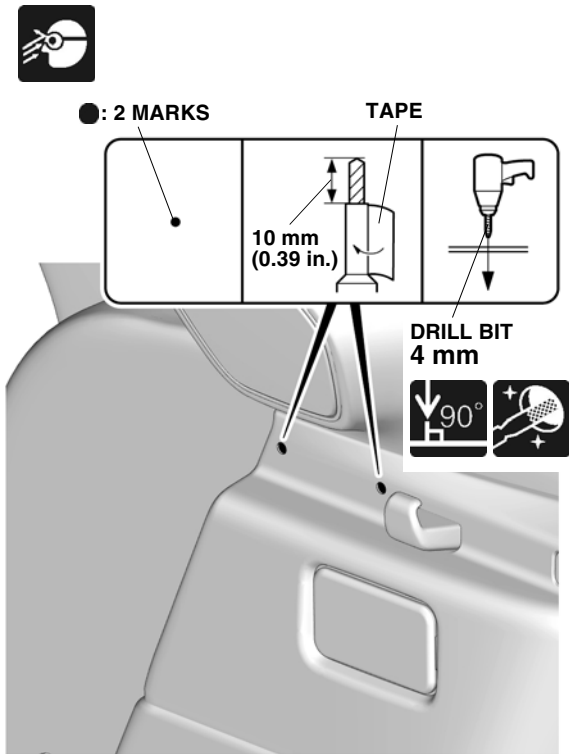
8. Pierce the right rear side trim panel.



QL02609AJ

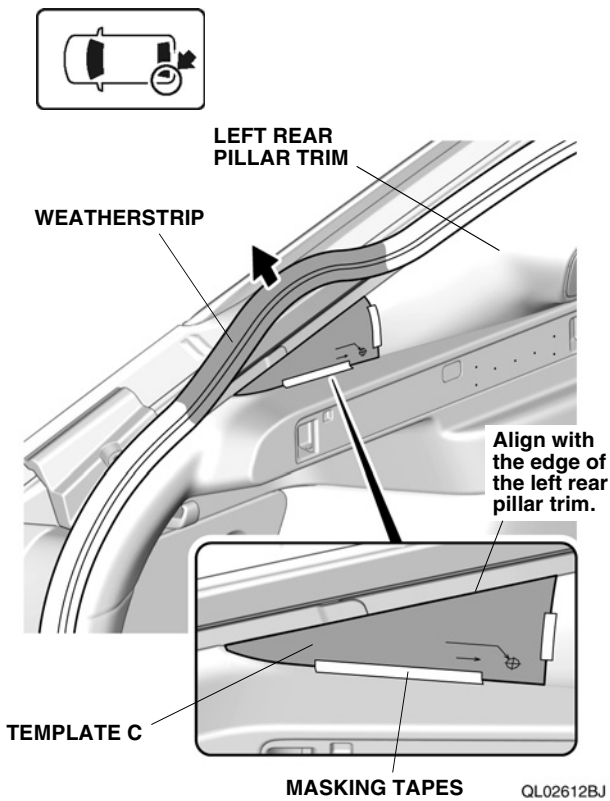
9. Remove the template B.

10. Drill the right rear side trim panel.



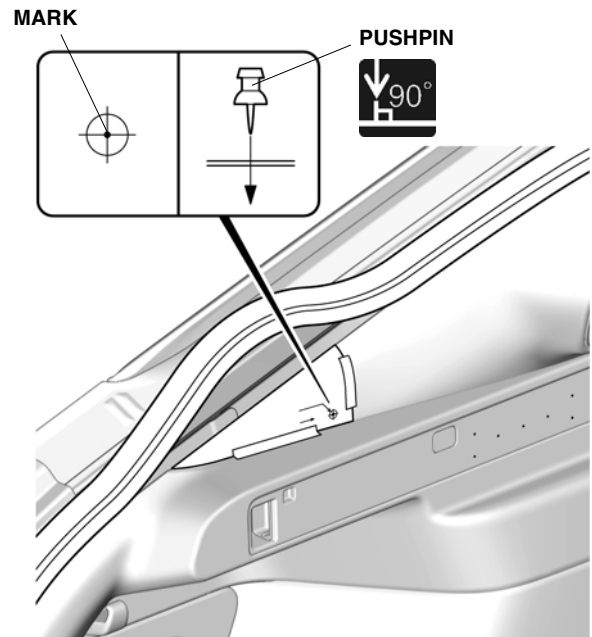
QL02610AJ

- 11. Pull away the weatherstrip.
- 12. Secure the template C.



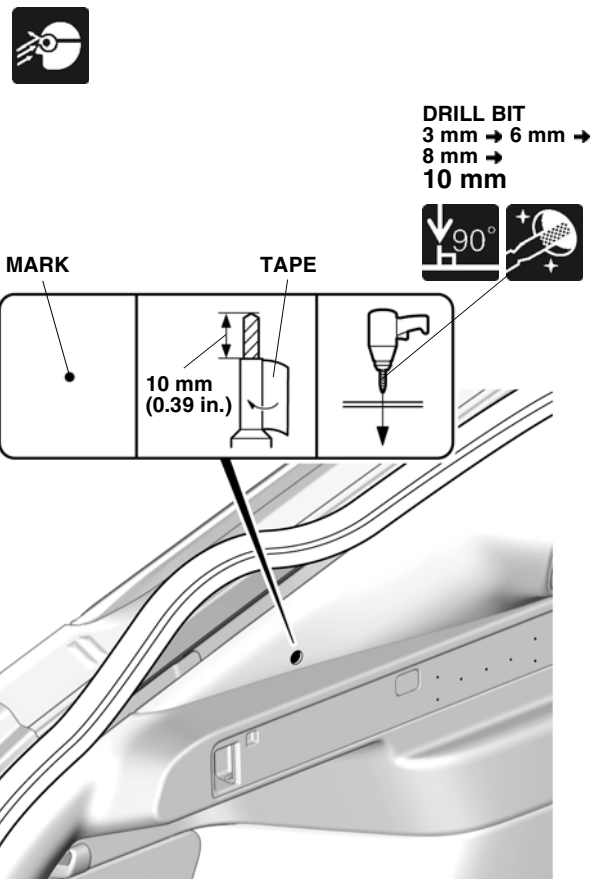
QL02612BJ

13. Pierce the left rear pillar trim.



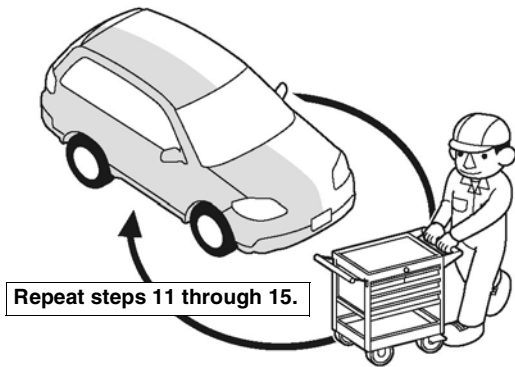
QL02613BJ

- 14. Remove the template C.
- 15. Drill the left rear pillar trim.



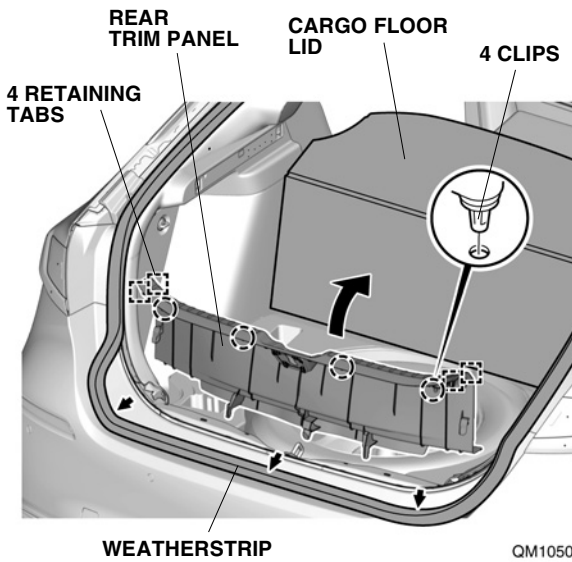
QL02614BJ

16. Flip the template C.
17. Repeat the same procedures on the other side.



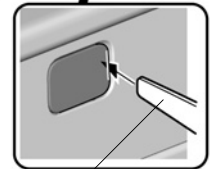
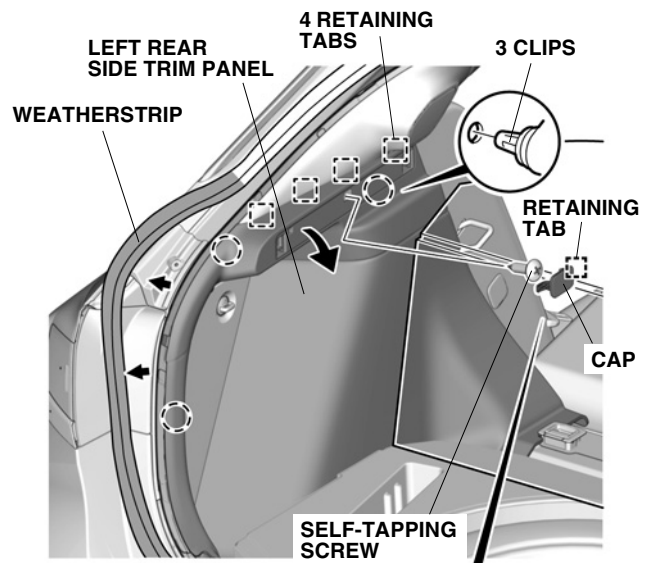
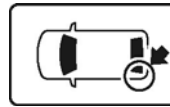
Q9D1014AM

18. Remove the rear trim panel.



QM10502AU

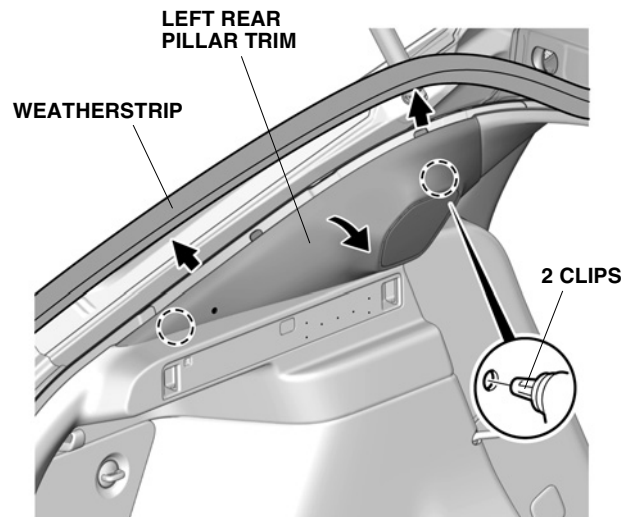
19. Release the left rear side trim panel.



HANDY REMOVER

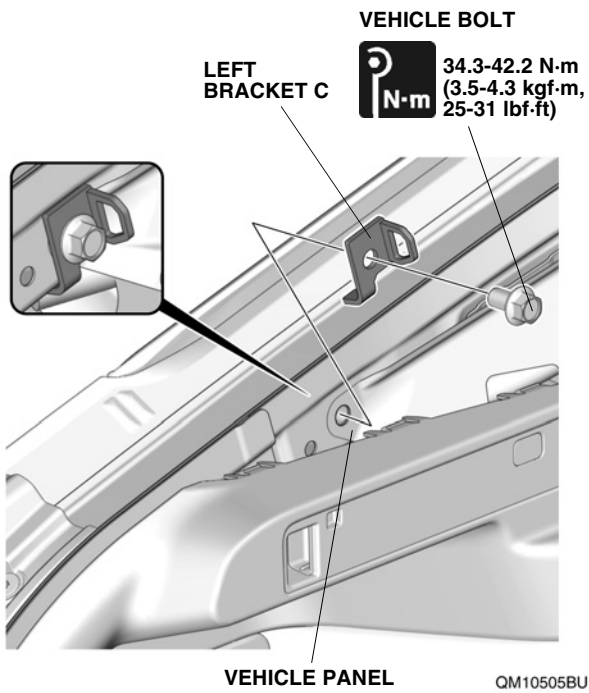
QM10503AU

20. Pull away the left rear pillar trim.

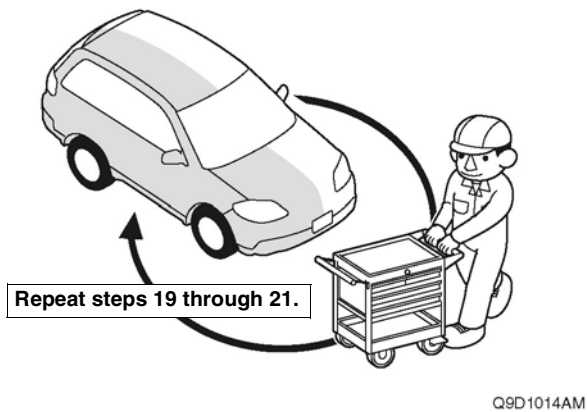


QM10504BU

21. Install the left bracket C.



22. Repeat the same procedures on the other side.



23. Drill the left rear side trim panel.

NOTICE

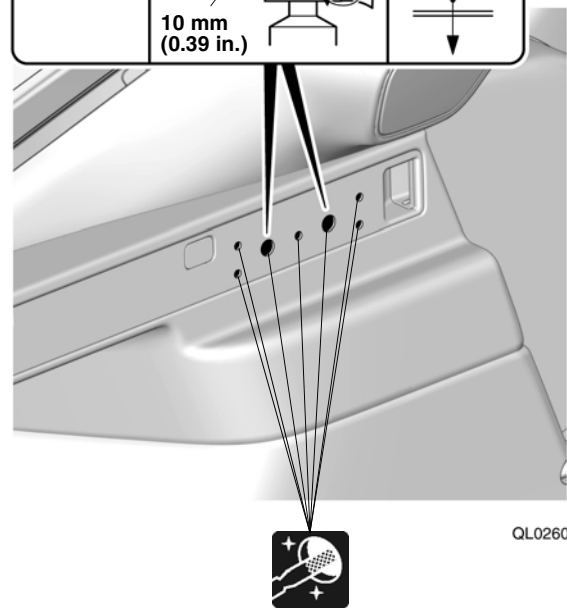
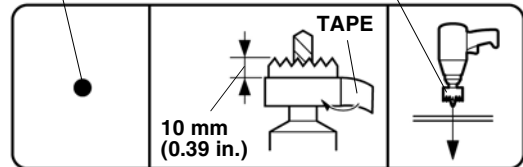
- Make sure to drill the correct position.



HOLE SAW
 15 mm



●: 2 HOLES

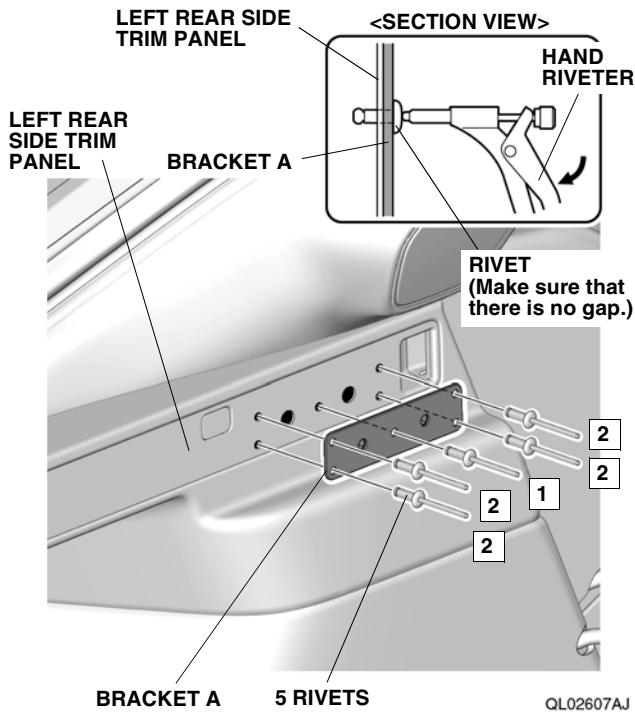


24. Reinstall all removed parts.

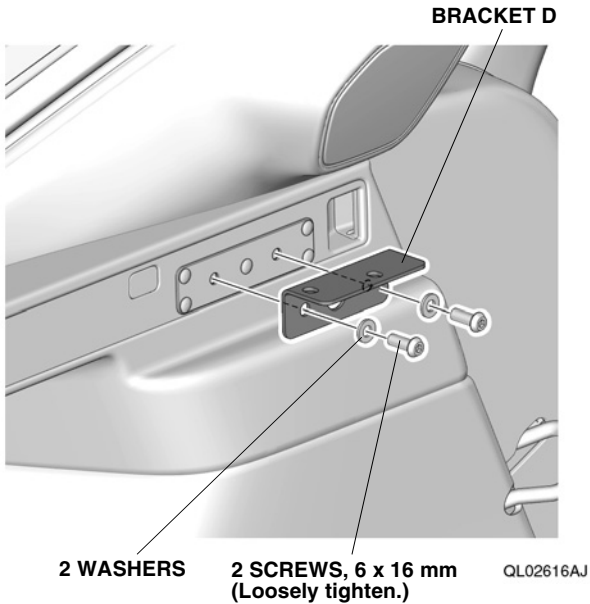
25. Secure the bracket A.

NOTICE

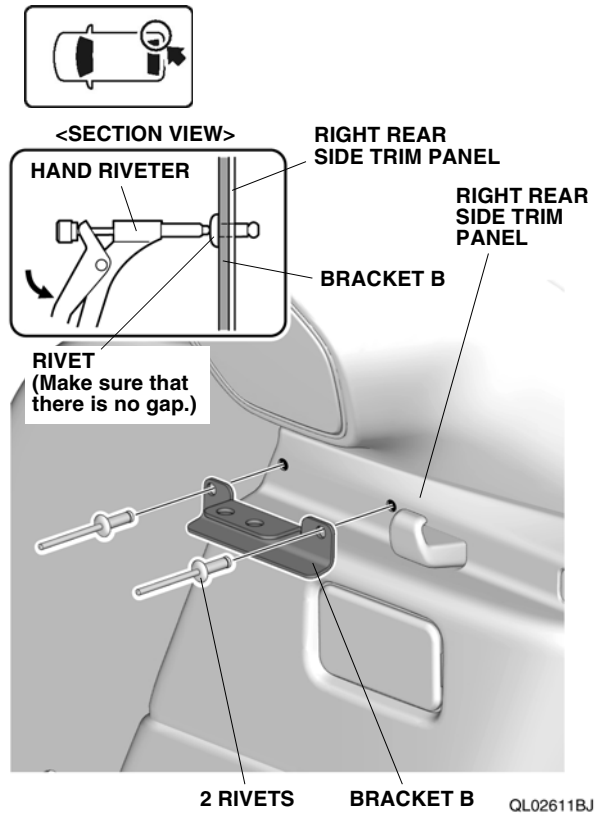
- Install in the order shown.



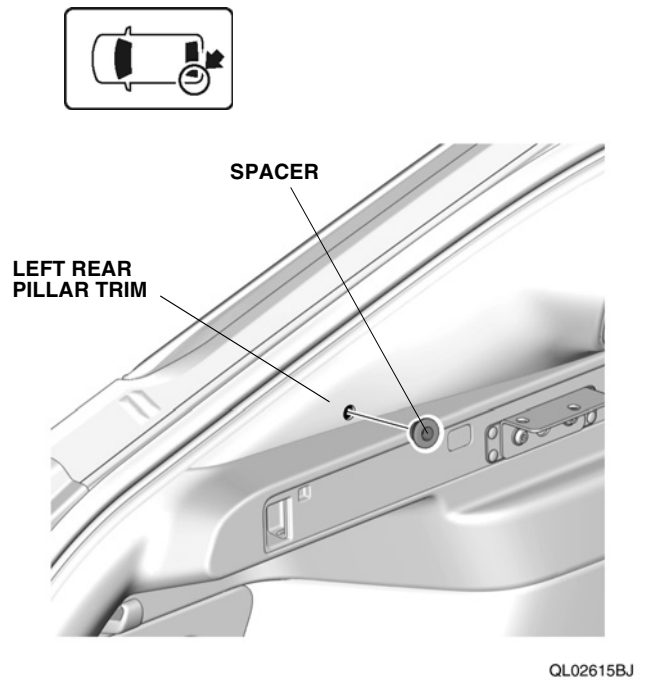
26. Loosely install the bracket D.



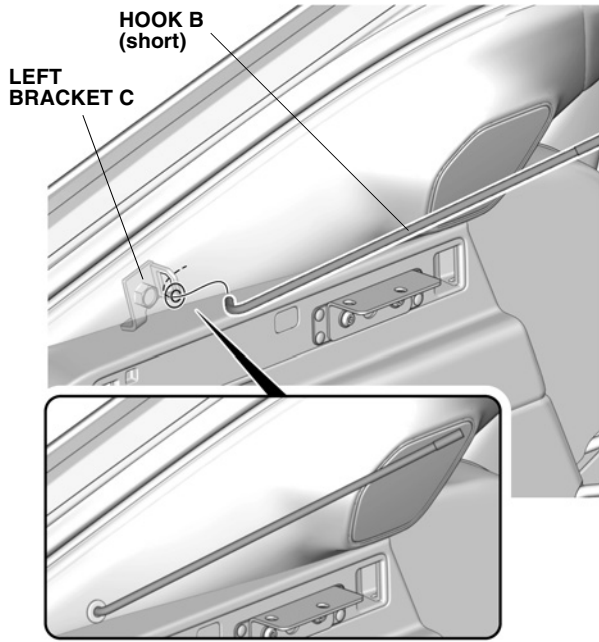
27. Secure the bracket B.



28. Install the spacer.

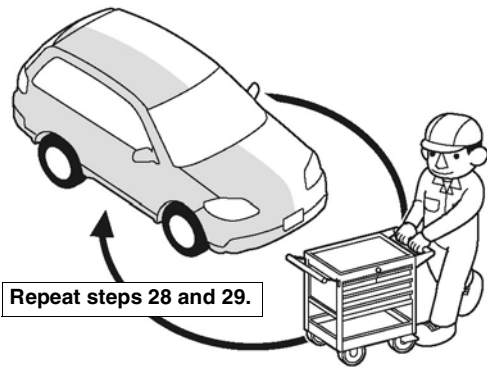


29. Install the hook B.



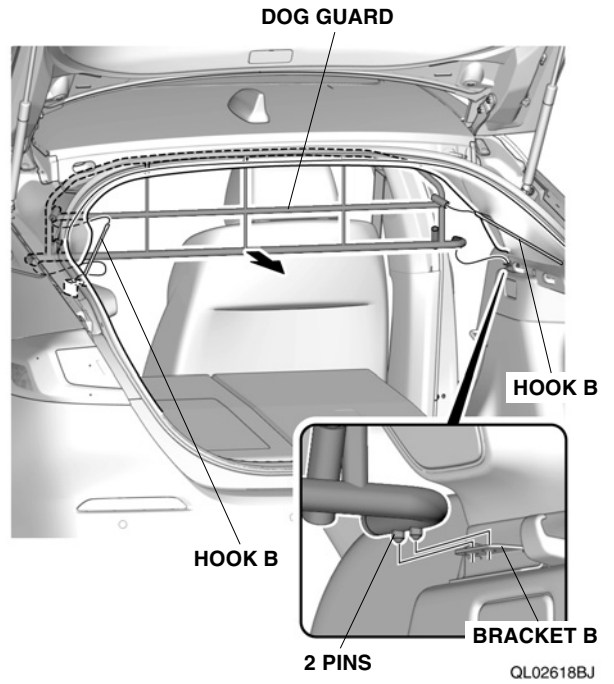
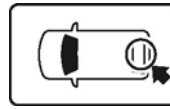
QL02617BJ

30. Repeat the same procedures on the other side.



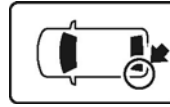
Q9D1014AM

31. Position the dog guard.

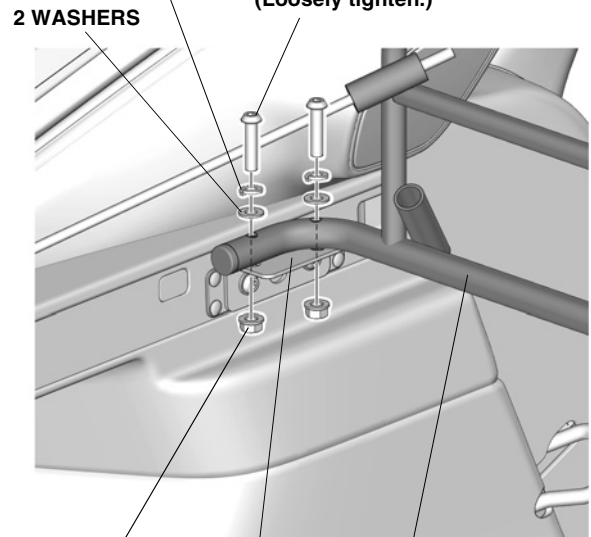


QL02618BJ

32. Loosely install the dog guard.



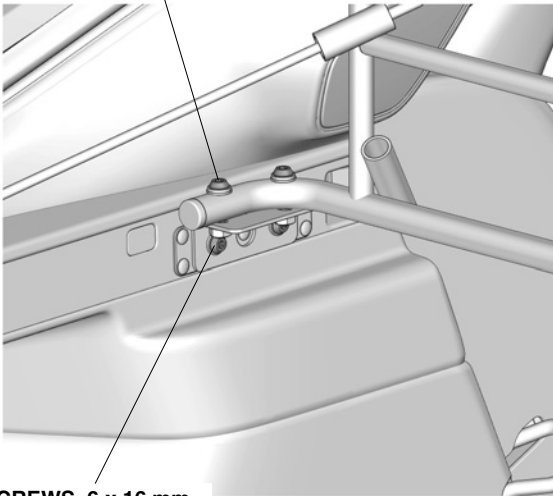
2 SPRING WASHERS
2 SCREWS, 6 x 30 mm
(Loosely tighten.)



2 NUTS BRACKET D DOG GUARD QL02619AJ

33. Secure the dog guard.

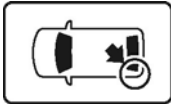
2 SCREWS, 6 x 30 mm
(Tighten.)



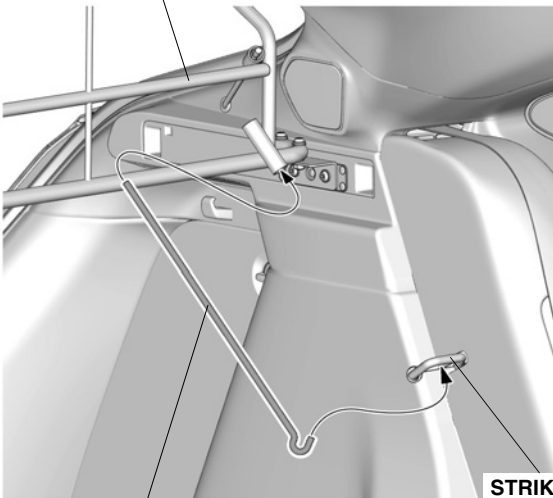
2 SCREWS, 6 x 16 mm
(Tighten.)

QL02620AJ

34. Install the hook A.



DOG GUARD



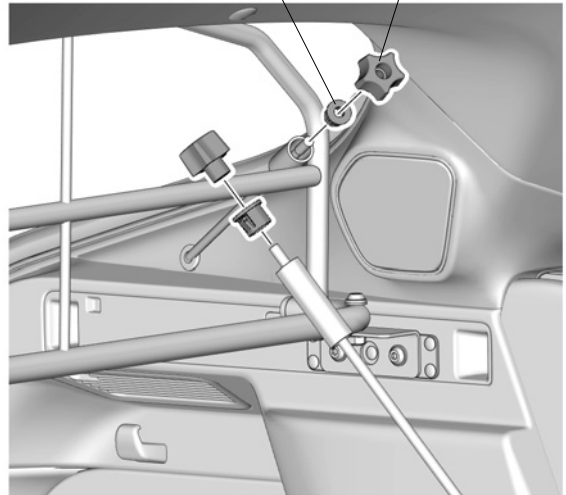
HOOK A
(long)

QL02621AJ

35. Repeat step 34 on the other side.

36. Install the knobs.

2 COLLARS 2 KNOBS



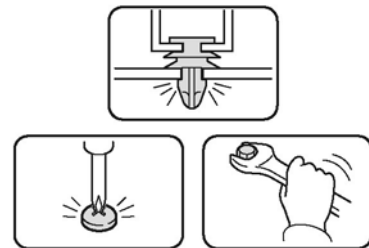
QL02622AJ

37. Repeat step 36 on the other side.

38. Raise the rear seat-backs.

Check After Installation

39. Check that all parts are installed properly.



Q060705CM

Please pass your customer the following things.

- Owner's Manual