



# CARGO TRAY

---

## OWNER'S MANUAL


# ENGLISH

Thank you for purchasing a Honda product.

Please read this Owner's Manual before using the Honda product and keep it in the glove box for future reference.

- This product is designed to be used exclusively with Honda vehicles. Honda is not responsible for the product if it is installed in any vehicles other than suitable Honda vehicles.  
For information on the applicable models, please contact your Honda dealer.
- The Owner's Manual should be considered a permanent part of your vehicle. The manual should remain with the vehicle at all times and stay with the vehicle if the vehicle is sold.

## Special Messages

- Honda provides many important safety messages in this manual. To ensure your safety and the safety of others, please pay special attention to all the warnings that are preceded by this alert symbol .  
Failure to follow the warnings contained in this manual may result in serious injury or accident.

### **DANGER**

- Indicates that severe personal injury or death will result if the instructions are not followed.

### **WARNING**

- Indicates a strong possibility that serious injury or death may result if instructions are not followed.

### **CAUTION**

- Indicates a possibility that minor personal injury may result if instructions are not followed.

## Symbols

- If instructions are preceded by the following symbols, the instructions give helpful advice or information.

### **ADVICE**

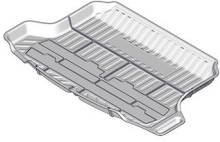
- Provides advice to prevent damage to the product.
- Gives advice to handle emergency situations.

### **INFORMATION**

Gives helpful information or instructions to be followed in using the product.

## KIT

Cargo tray



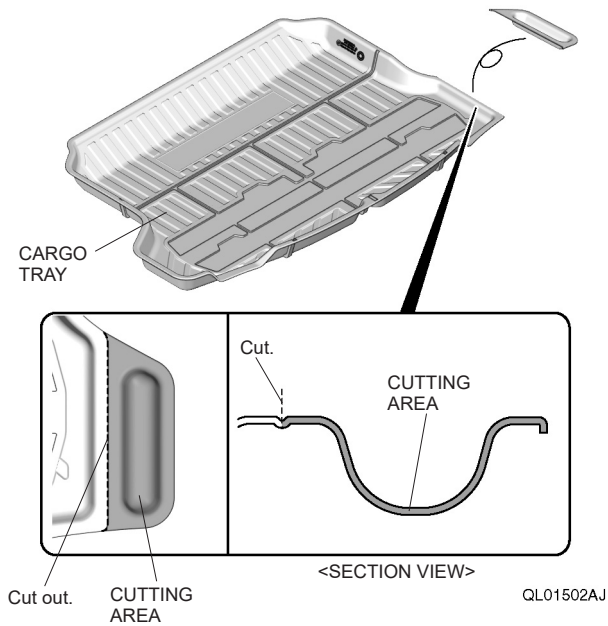
### TOOLS AND SUPPLIES REQUIRED

- Utility knife
- File

## INSTALLATION

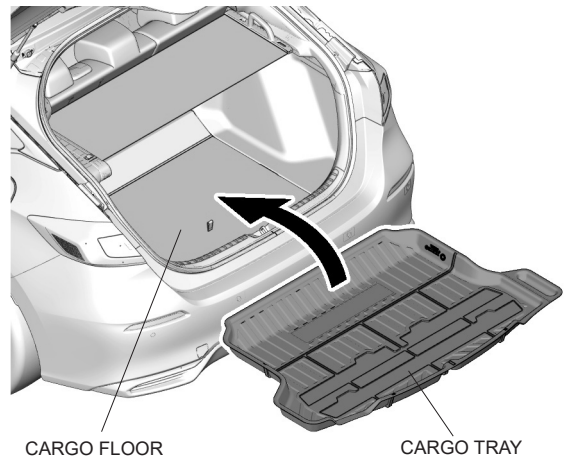
### With woofer

1. Using a utility knife, cut out the cargo tray. Remove any burrs.



### Installing the Cargo Tray

2. Place the cargo tray on the cargo floor.



QL01503AJ

### USE AND CARE



#### CAUTION

Do not leave the cargo tray close to heat sources, or let it come into contact with knives or other sharp objects. This will damage the cargo tray.