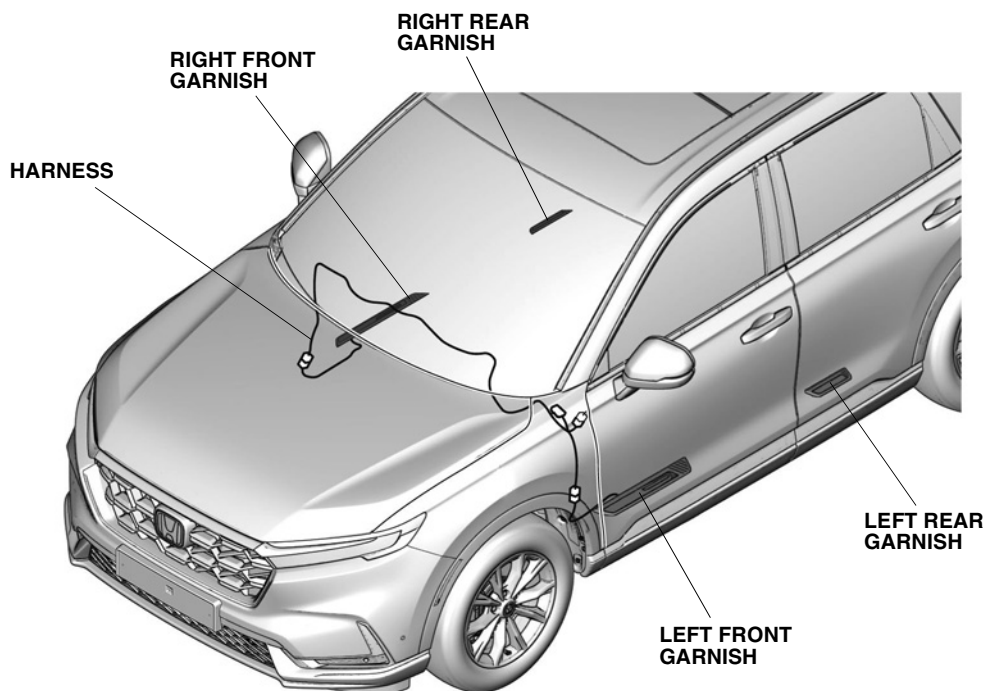


ILLUMINATED SIDE STEP GARNISHES

CR-V

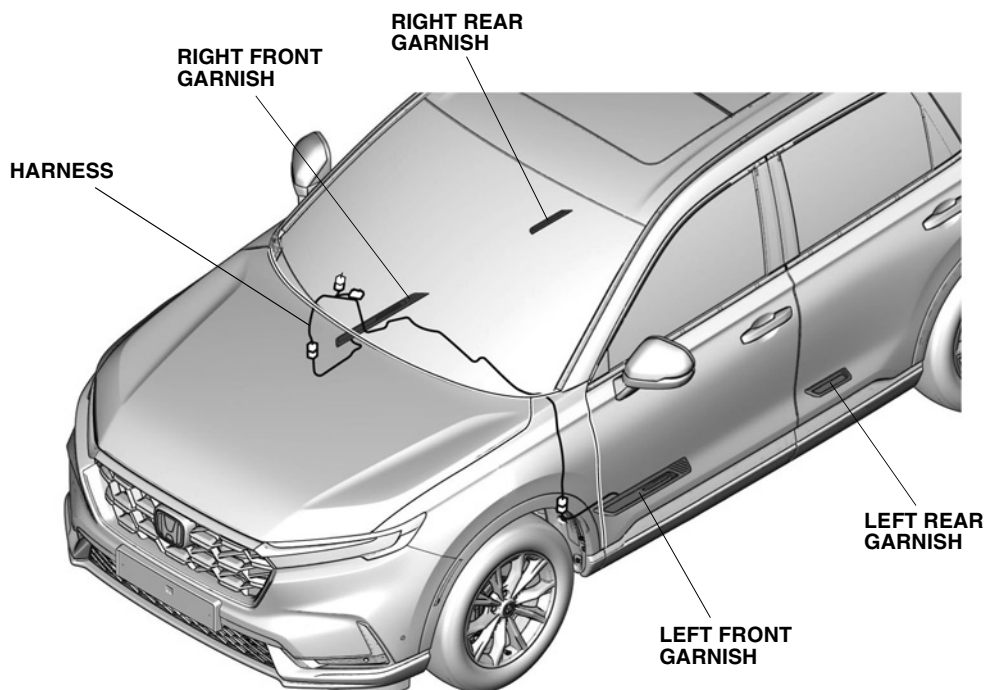
GENERAL VIEW

<LHD models>



QM62401AG

<RHD models>



QM62801AG

FOR YOUR SAFETY (Read carefully)

Introduction of Symbol Messages

- These symbols warn you about the possible hazards and explain how to avoid them. And give you some advices.



You will be killed or seriously hurt if you do not follow the instructions.



You can be killed or seriously hurt if you do not follow the instructions.



You can be hurt if you do not follow the instructions.



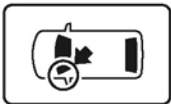
Gives advice to prevent damage to the product.
Gives helpful information or instructions to be followed in using the product.



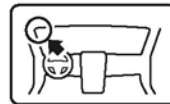
Indicates prohibited actions.

Introduction of Icons

- These icons indicate the working place and the worker's vision.



The place for the vehicle.



The place for the instrument panel.

- These icons indicate the necessary things for your safety and the work.



Wear eye protection.



Wear heavy gloves.



Work with an assistant.



Place the part on a blanket.



Remove any burrs.



Use the touch-up paint and dry.



Keep the parts and give it to the customer.
(Not use)



Press firmly.



Tighten by specified torque.

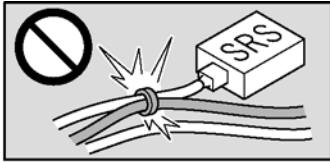


Work perpendicularly.

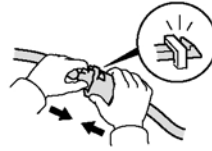


Clean with the contact cleaner.

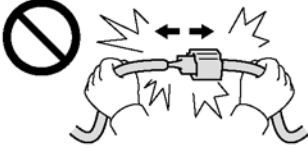
Wire Harness Routing Precaution



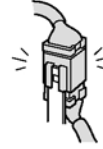
Do not clamp the accessory harness and SRS harness together. (except for instruction cases).



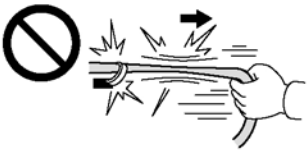
Connect the connectors and terminals securely until they lock.



Do not pull the harness to disconnect the connectors.



Reinstall the connectors to the original positions if they are removed.



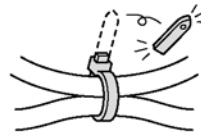
Do not pull the harness strongly.



Secure the accessory harness to the specified position, not to hang down.



Do not pinch the harness with the parts.



Cut off the excess of the wire ties.

Safety: General

- Observe all safety notes and precautions described in the Shop Manual in addition to those described in this Installation Instructions. Be extremely careful for your safety and safety of others particularly.
- Be careful not to damage the vehicle and the parts.
- Be extremely careful to the handling of the retaining tabs and clips particularly.
- Note the locations of the parts before removing them so that they can be reinstalled in their original positions properly.
- The illustrations may differ a little from the actual accessories for the design change of the vehicle.

Safety: For Electric Parts

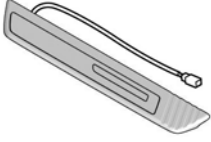
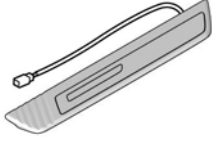


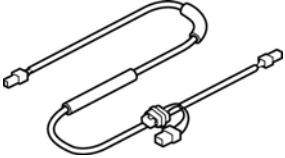



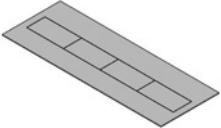

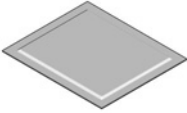
- Do not perform the installation of the accessories with having connected negative cable of the battery.

Safety: For the Accessory

- **Always use the parts and tools specified in the installation instructions.**
- **Do not perform installation work and attaching work at the place where gets the direct rays of the sun or the dust appears.**
- **Always install these accessories at the ambient air temperature 15°C (60°F) or above.**
- **Heat the accessories and bonding surfaces if the ambient air temperature is below 15°C (60°F).**
- **Attach the accessories by pressing it firmly with the palm of your hand. Be careful not to damage the accessories and the vehicle parts.**
- **Carefully place the double-sided adhesive tape on the proper position. Once the double-sided adhesive tape touches the surface, do not try to detach and relocate it. If you attempt to move after it touches the surface, you will damage the part before the adhesive will give way.**
- **Not to wash the vehicle for 24 hours to allow the adhesive to cure.**

PARTS LIST

Side Step Garnishes Kit

Left front garnish (identification mark: L)	Right front garnish (identification mark: R)	Left rear garnish (identification mark: L)	Right rear garnish (identification mark: R)
			
Harness	Wire ties A (23)	Wire ties B (narrow) (2)	Washer-bolts (4)
			
Fuse label	Protective tape	Cleaners (2)	
			

TOOLS AND SUPPLIES REQUIRED

- Ratchet
- Shop towel
- Contact cleaner
- Torque wrench
- Tape
- 10 mm Socket
- Masking tape
- Nippers
- Ruler
- 10 mm Open end wrench
- Scissors
- Phillips screwdriver
- Handy remover

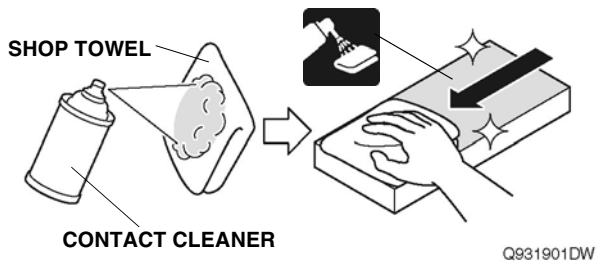
INSTALLATION

How to Use the Contact Cleaner

- Using contact cleaner on a shop towel, thoroughly clean the areas where the accessories will be attached.

NOTICE

- Always use the contact cleaner.
- Do not apply the cleaner to the object of the work directly.
- Allow to dry completely the cleaned areas before attachment work.



Before Installing

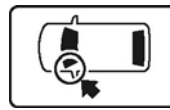
1. Follow the below guidance.

• LHD models	To step 2
• RHD models	To step 13

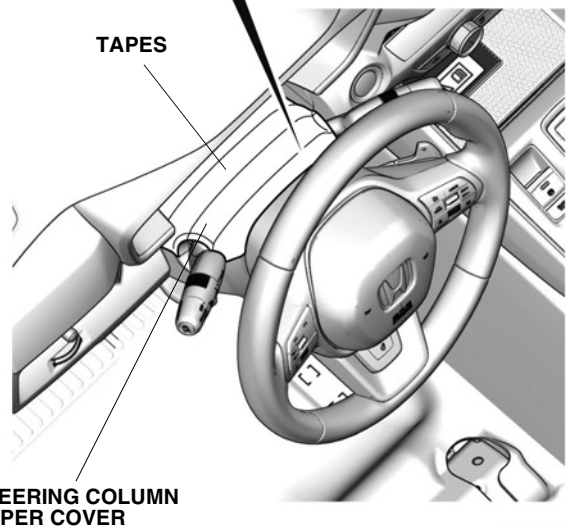
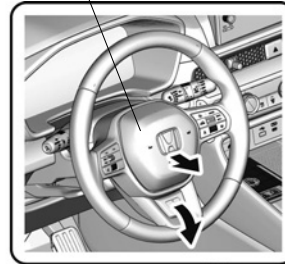
2. Adjust the tilt of the steering column to its lowest position. Then bring the telescope position to all way out.
3. Attach the tapes to protect the vehicle.

NOTICE

- Do not remove the tapes until after the reinstallation.



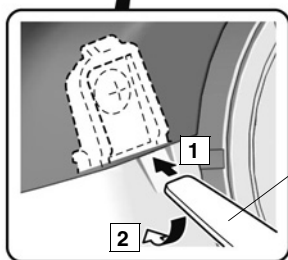
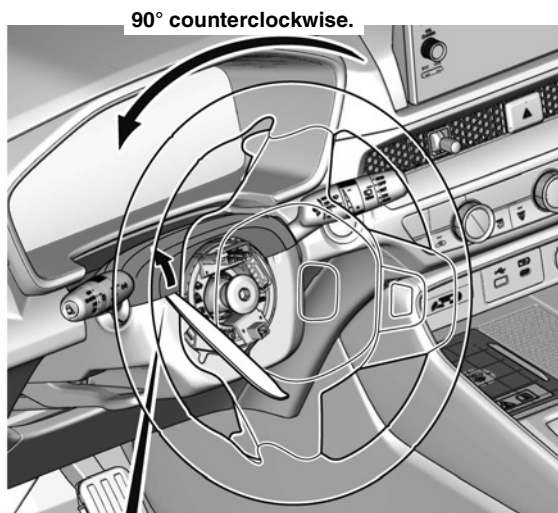
STEERING WHEEL



4. Turn the steering wheel 90° counterclockwise.
5. Release the left side of the steering column upper cover.

NOTICE

- Release in the order shown.



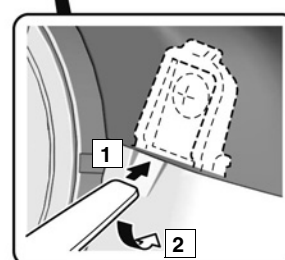
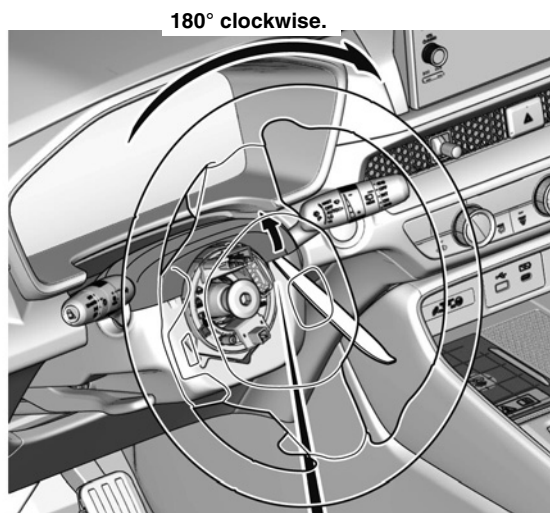
**HANDY
REMOVER**

QM62403AG

6. Turn the steering wheel 180° clockwise.
7. Release the right side of the steering column upper cover.

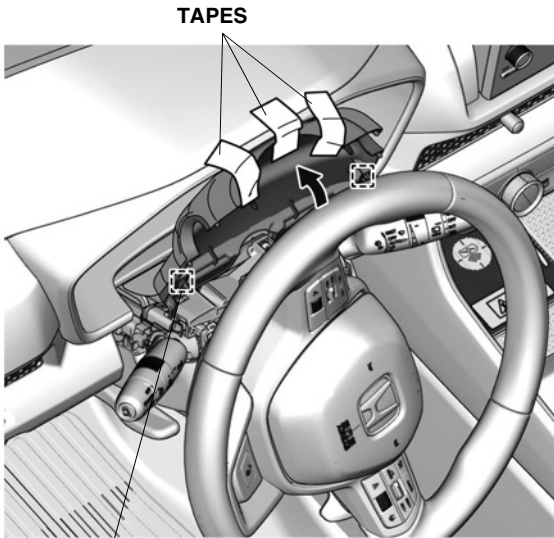
NOTICE

- Release in the order shown.



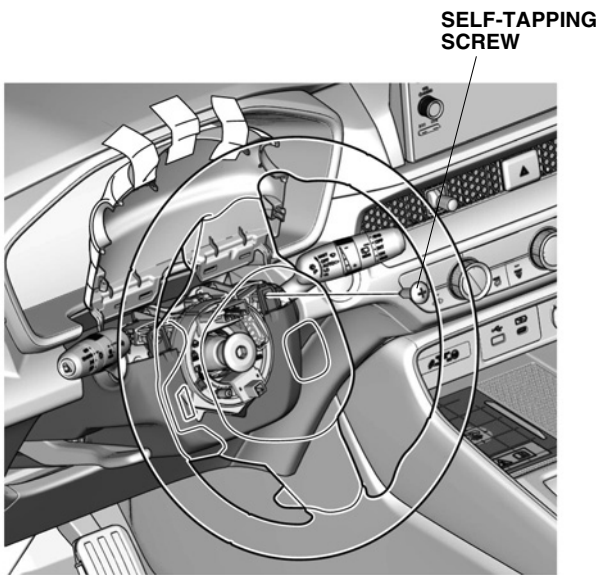
QM62404AG

8. Release the steering column upper cover.
9. Secure the steering column upper cover.



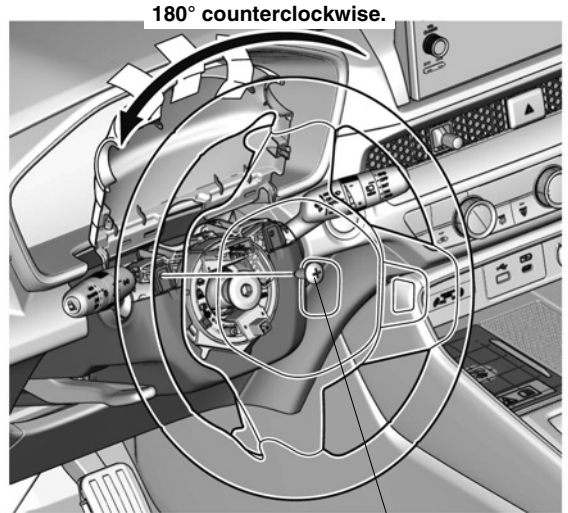
QM62405AG

10. Remove the self-tapping screw.



QM62406AG

11. Turn the steering wheel 180° counterclockwise.
12. Remove the self-tapping screw.



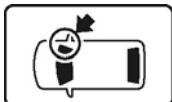
QM62407AG

To step 24

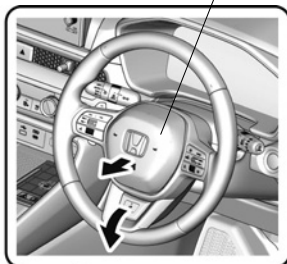
13. Adjust the tilt of the steering column to its lowest position. Then bring the telescope position to all way out.
14. Attach the tapes to protect the vehicle.

NOTICE

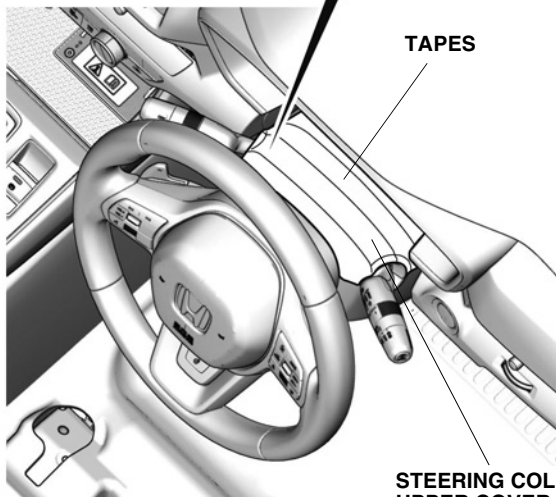
- Do not remove the tapes until after the reinstallation.



STEERING WHEEL



TAPES



STEERING COLUMN UPPER COVER

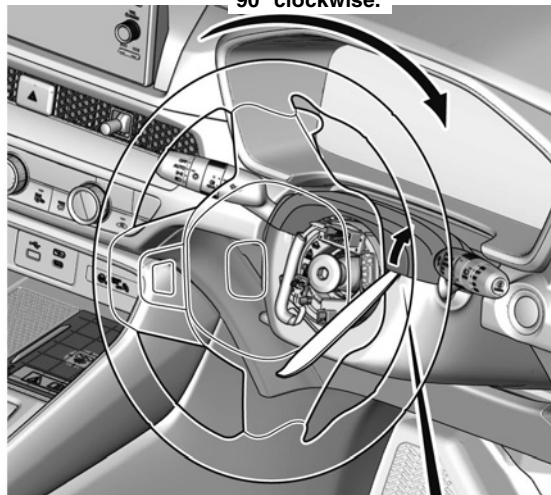
QM62802AG

15. Turn the steering wheel 90° clockwise.
16. Release the right side of the steering column upper cover.

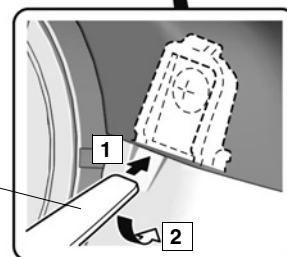
NOTICE

- Release in the order shown.

90° clockwise.



HANDY REMOVER

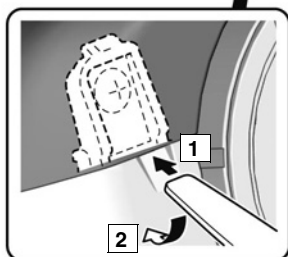
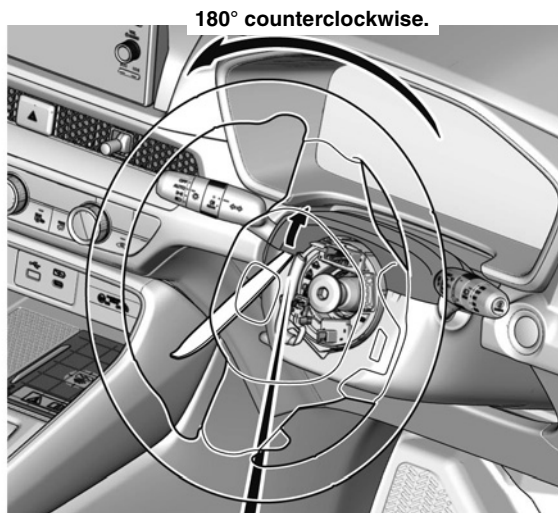


QM62803AG

17. Turn the steering wheel 180° counterclockwise.
18. Release the left side of the steering column upper cover.

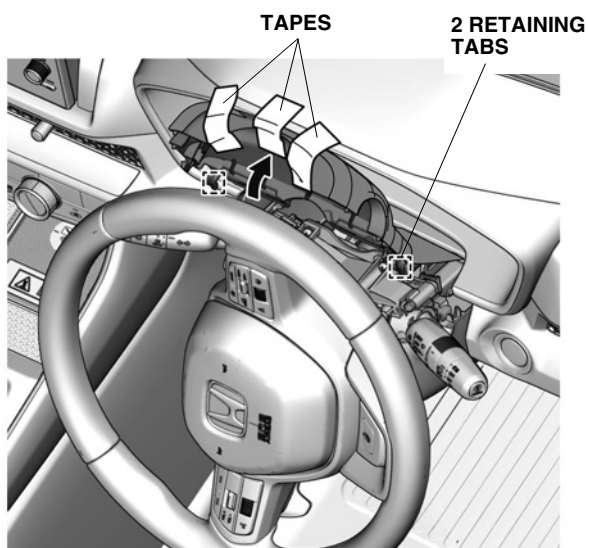
NOTICE

- Release in the order shown.



QM62804AG

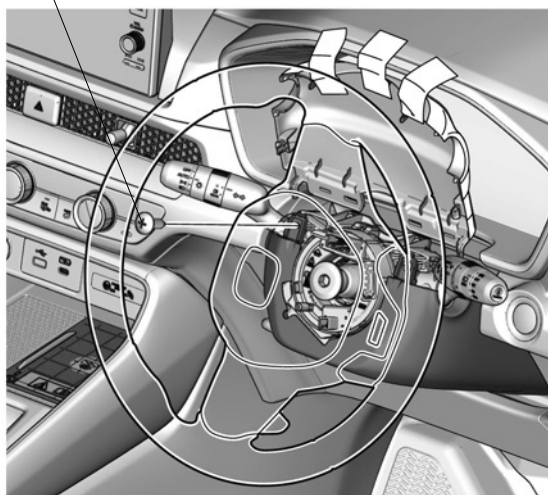
19. Release the steering column upper cover.
20. Secure the steering column upper cover.



QM62805AG

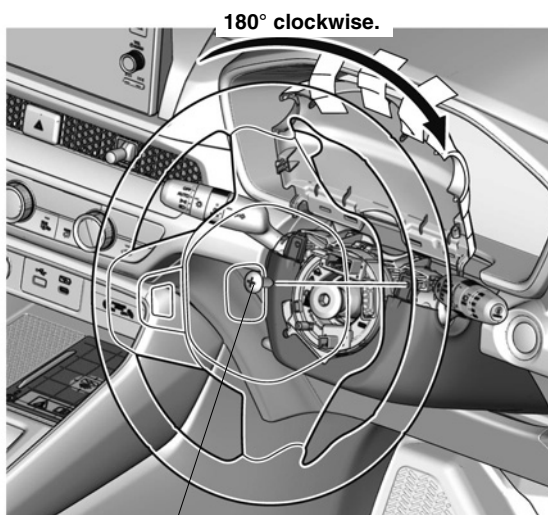
21. Remove the self-tapping screw.

SELF-TAPPING SCREW



QM62806AG

22. Turn the steering wheel 180° clockwise.
23. Remove the self-tapping screw.



SELF-TAPPING SCREW

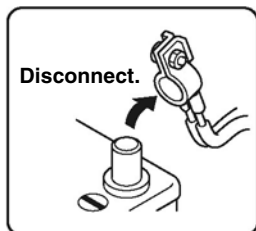
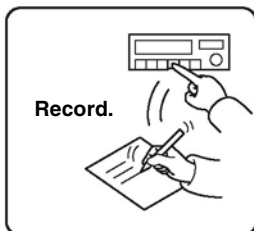
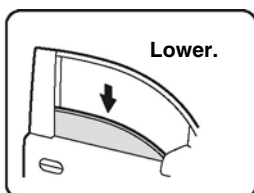
QM62807AG

Disconnecting the Battery Cable

24. Perform the works before disconnecting the negative cable from the battery as shown below.
25. Make sure if you have the anti-theft code for the audio/navigation system. Record some settings of the vehicle if necessary.
26. Disconnect the negative cable from the battery.

NOTICE

- With the driver's door open, turn the vehicle to the OFF (LOCK) mode, then wait at least 3 minutes before disconnecting the 12 volt negative battery cable.



QCD0502BM

27. Follow the below guidance.

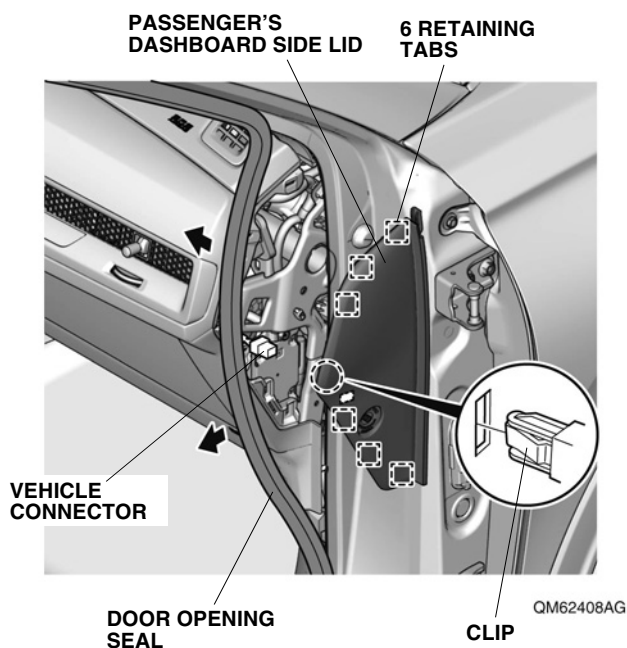
• LHD models	To step 28
• RHD models	To step 85

Removing the Vehicle Parts (LHD)

28. Remove the passenger's dashboard side lid.

CAUTION

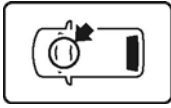
- Work after leaving more than three minutes after disconnecting the negative cable from the battery.



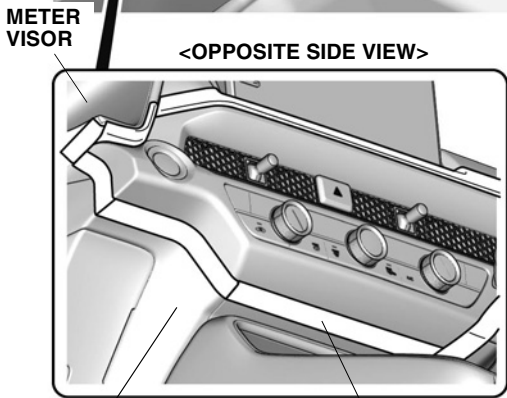
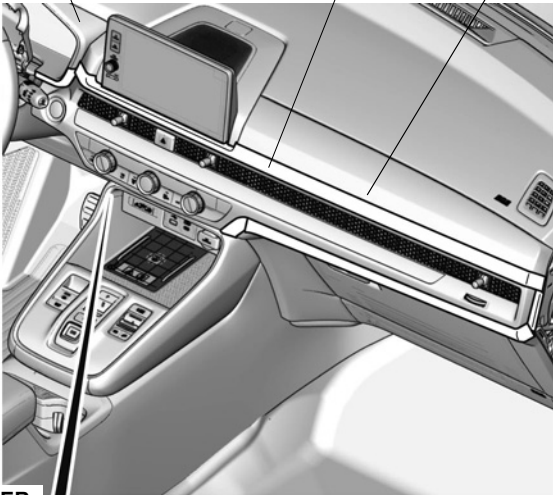
29. Attach the tapes to protect the vehicle.

NOTICE

- Do not remove the tapes until after the reinstallation.



METER VISOR TAPES INSTRUMENT PANEL

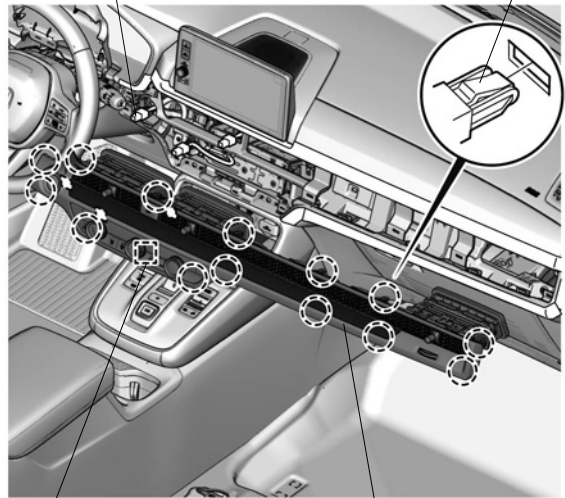


INSTRUMENT PANEL TAPES

QM62409AG

30. Remove the center trim panel.

VEHICLE CONNECTORS 14 CLIPS



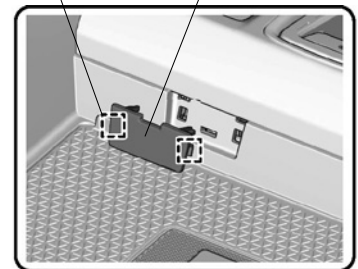
RETAINING TAB CENTER TRIM PANEL

QM62410AG

31. Remove the cap.

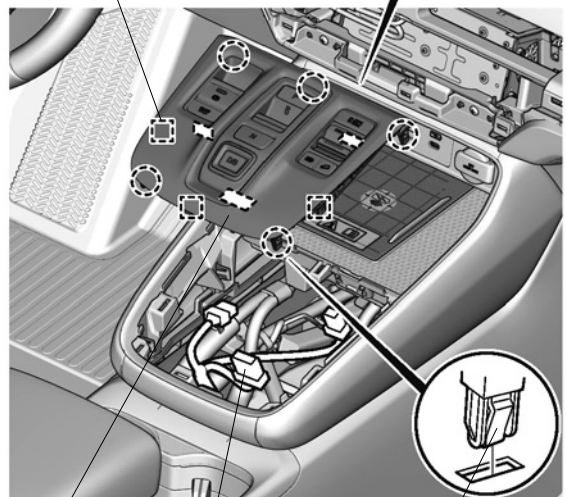
32. Remove the select switch panel.

2 RETAINING TABS CAP



<OPPOSITE SIDE VIEW>

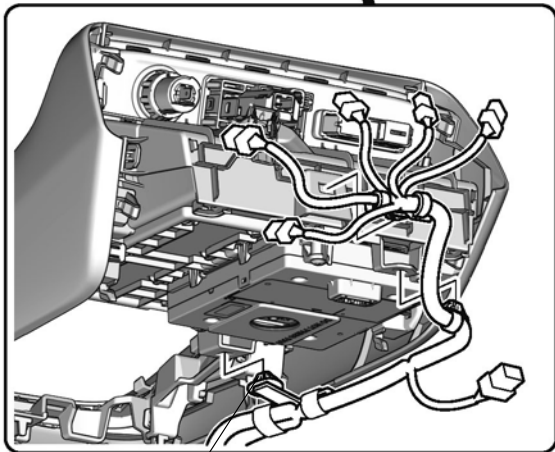
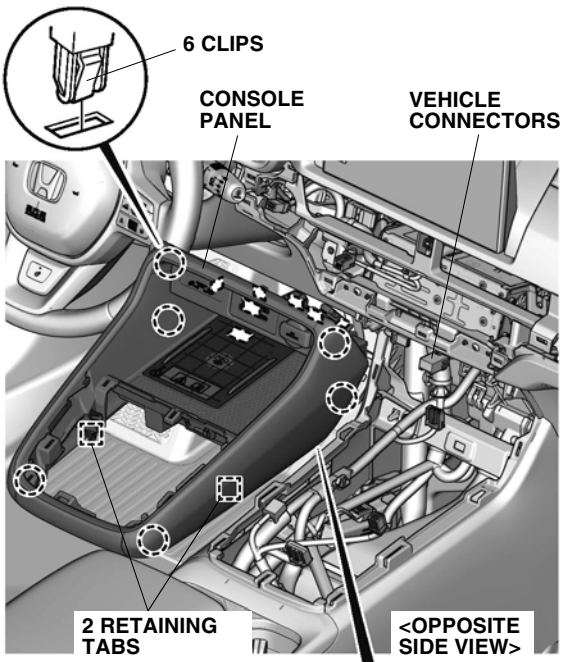
3 RETAINING TABS



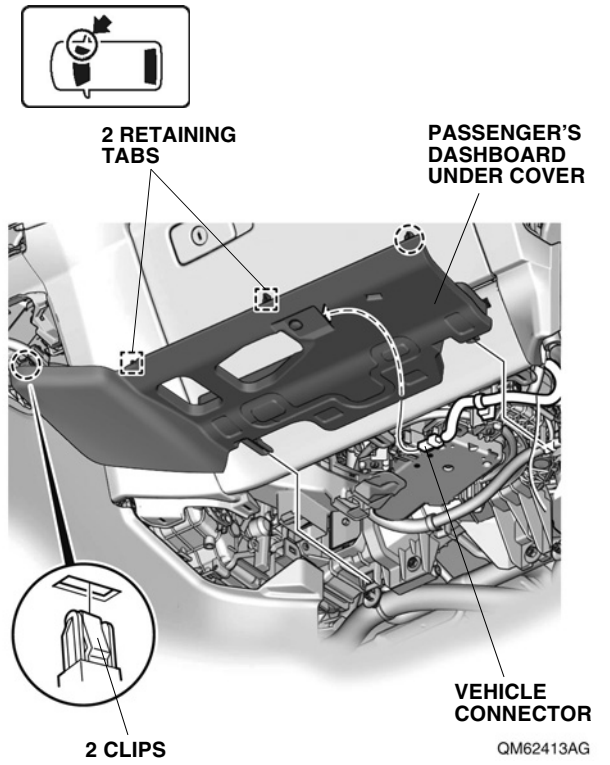
SELECT SWITCH PANEL VEHICLE CONNECTORS

5 CLIPS QM62411BG

33. Remove the console panel.



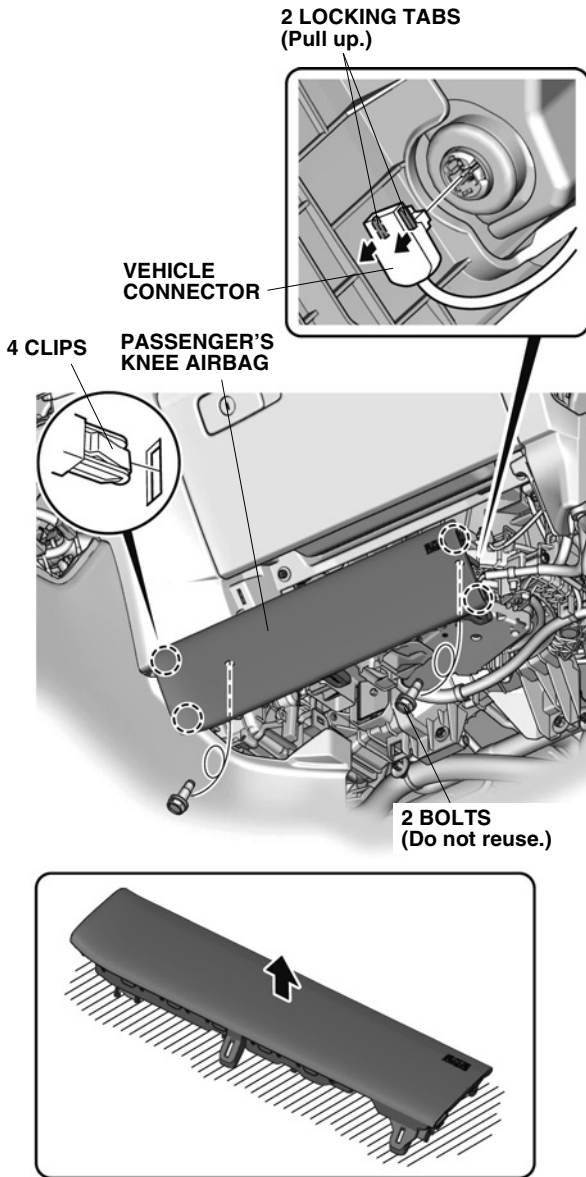
34. Remove the passenger's dashboard under cover.



35. Remove the passenger's knee airbag.

⚠ CAUTION

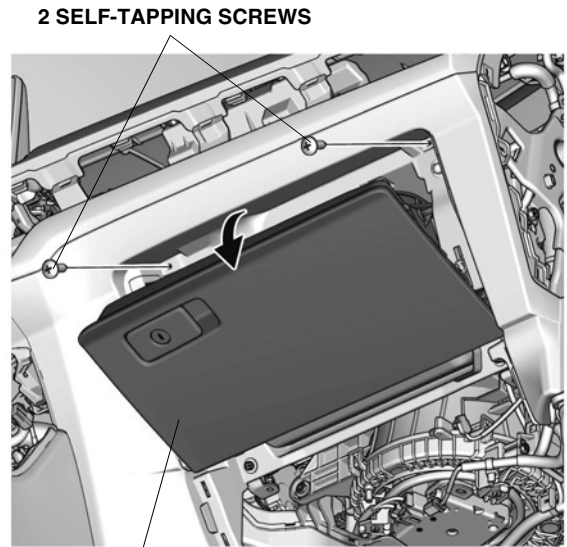
- Work after leaving more than three minutes after disconnecting the negative cable from the battery.
- Do not drop the removed airbag or hit it on an object.
- Place the removed airbag on a safe place with the pad surface (top) facing upward.



QM62414AG

36. Open the glove box.

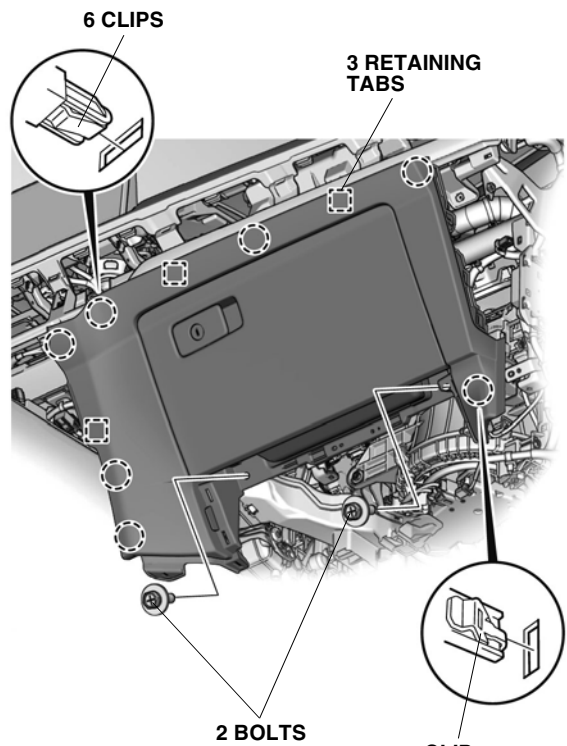
37. Remove the self-tapping screws.



QM62415AG

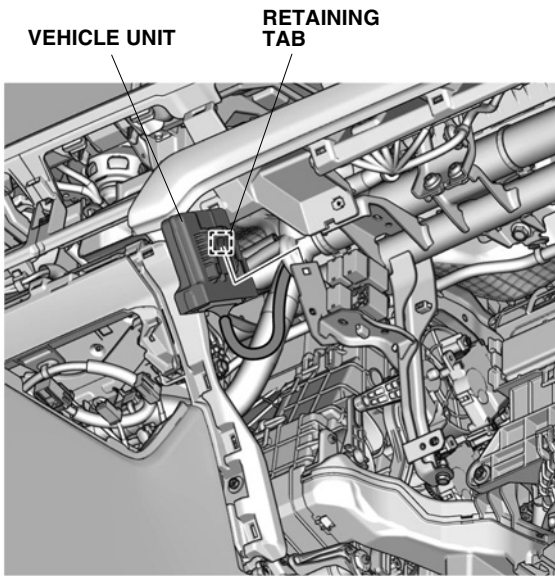
38. Close the glove box.

39. Remove the glove box.



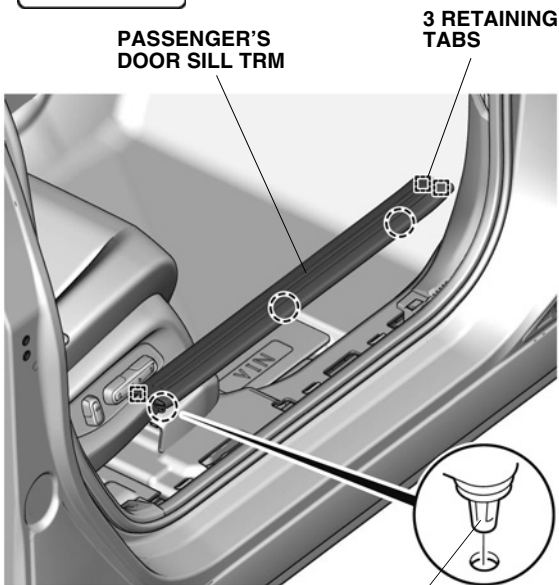
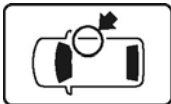
QM62416AG

40. Release the vehicle unit.

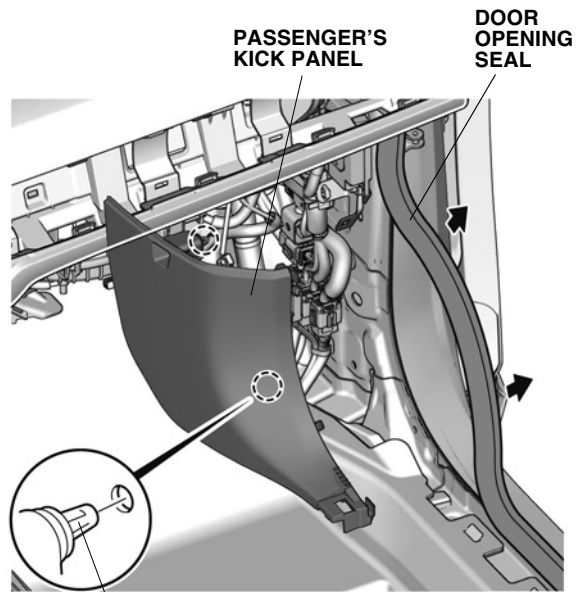
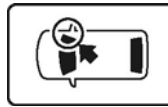


QM62417AG

41. Remove the passenger's door sill trim.

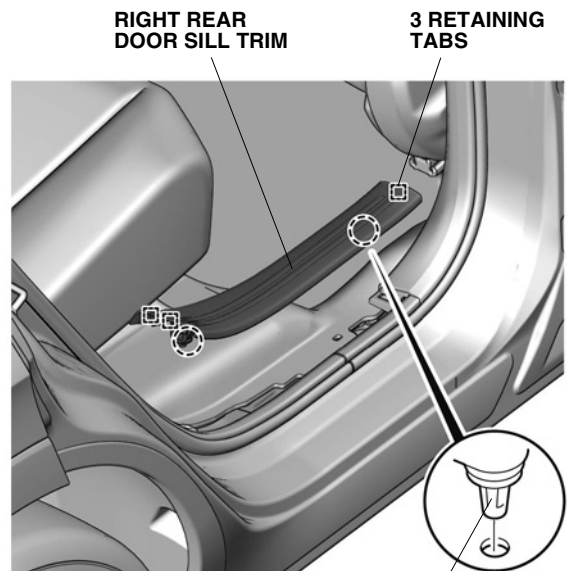
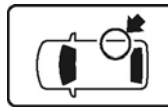


42. Remove the passenger's kick panel.



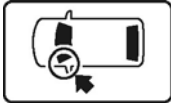
QM62702AG

43. Remove the right rear door sill trim.



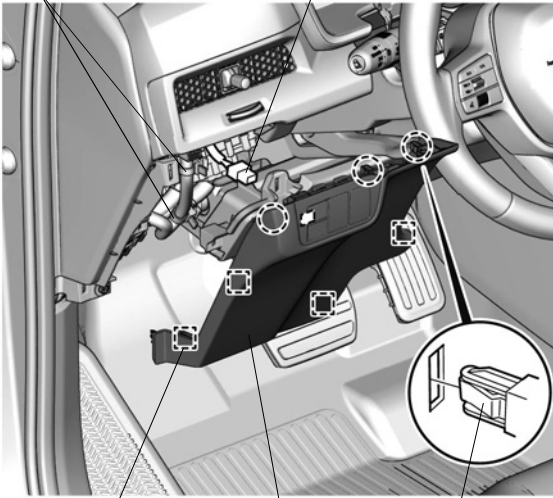
QL01108AB

44. Remove the driver's outside lower cover.



2 VEHICLE CLIPS

VEHICLE CONNECTOR



4 RETAINING TABS

DRIVER'S OUTSIDE LOWER COVER

3 CLIPS

QM62703AG

45. Remove the driver's knee airbag.

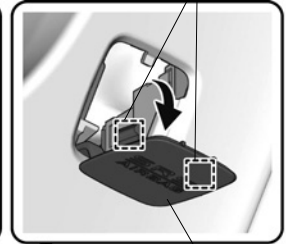
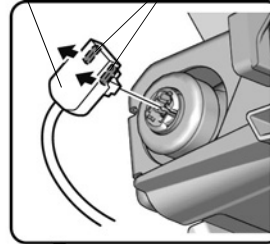
CAUTION

- Work after leaving more than three minutes after disconnecting the negative cable from the battery.
- Do not drop the removed airbag or hit it on an object.
- Place the removed airbag on a safe place with the pad surface (top) facing upward.

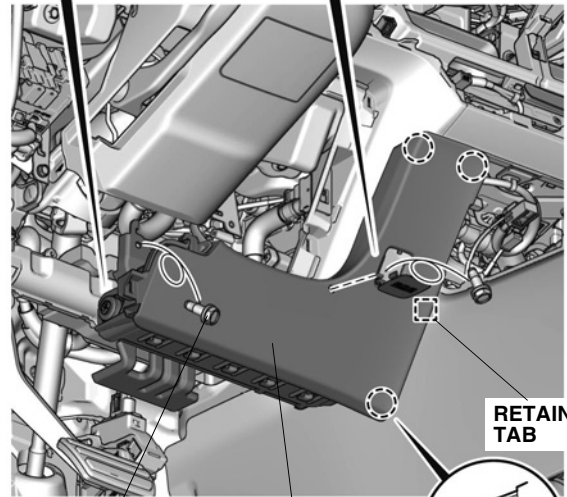
VEHICLE CONNECTOR

2 LOCKING TABS (Pull up.)

2 RETAINING TABS



CAP

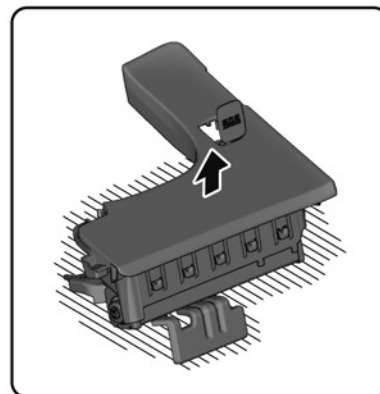


2 BOLTS (Do not reuse.)

DRIVER'S KNEE AIRBAG

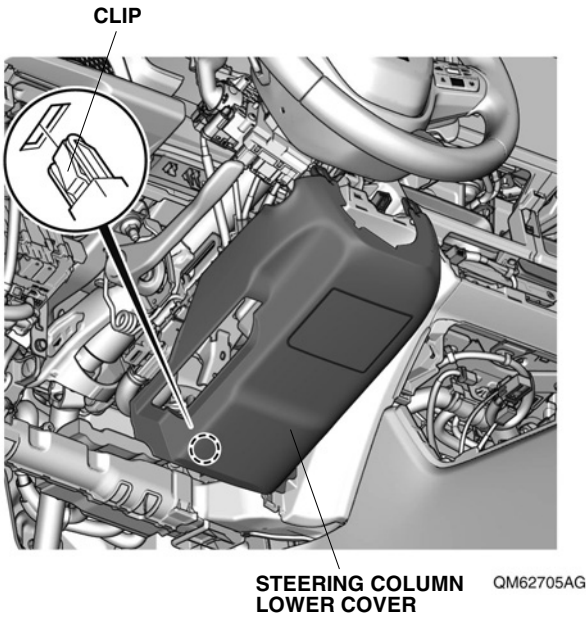
RETAINING TAB

3 CLIPS

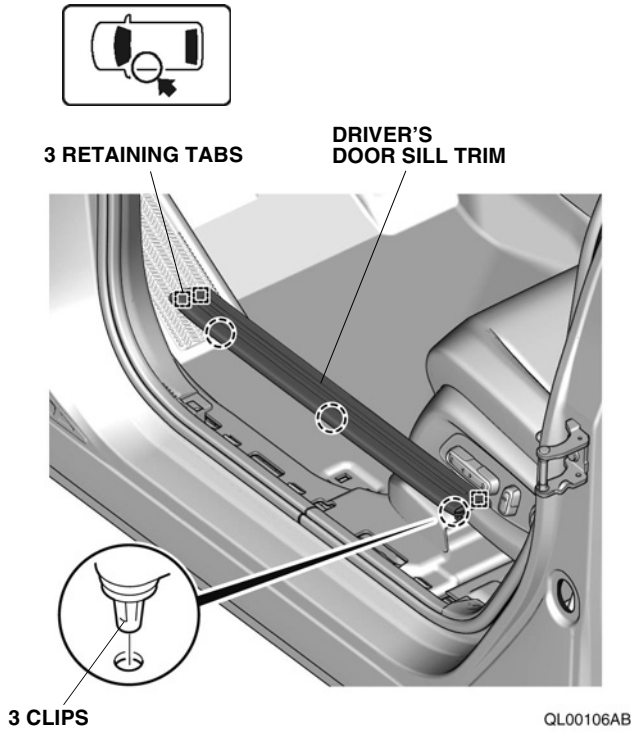


QM62704AG

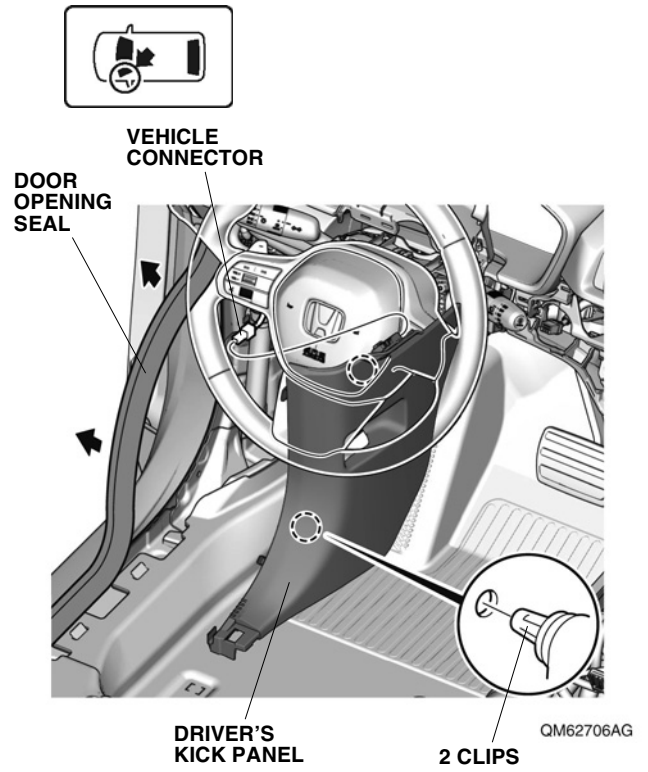
46. Remove the steering column lower cover.



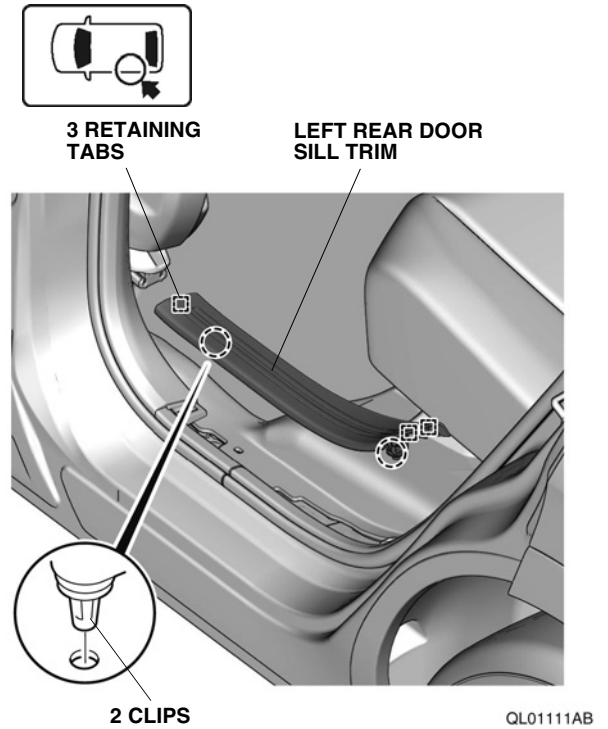
47. Remove the driver's door sill trim.



48. Remove the driver's kick panel.

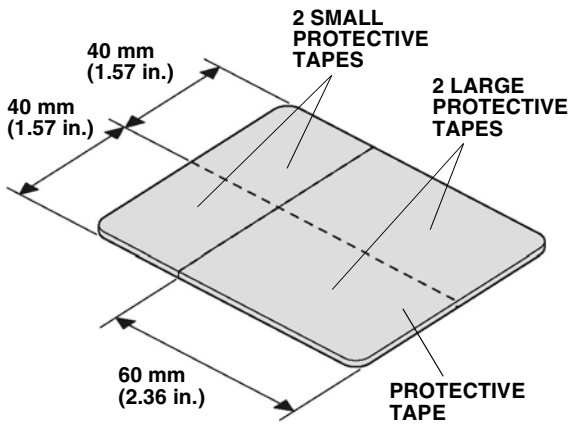


49. Remove the left rear door sill trim.



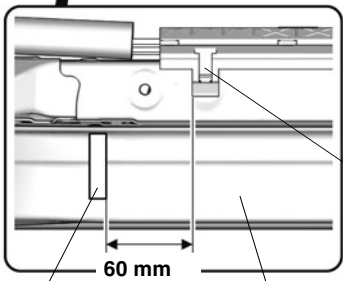
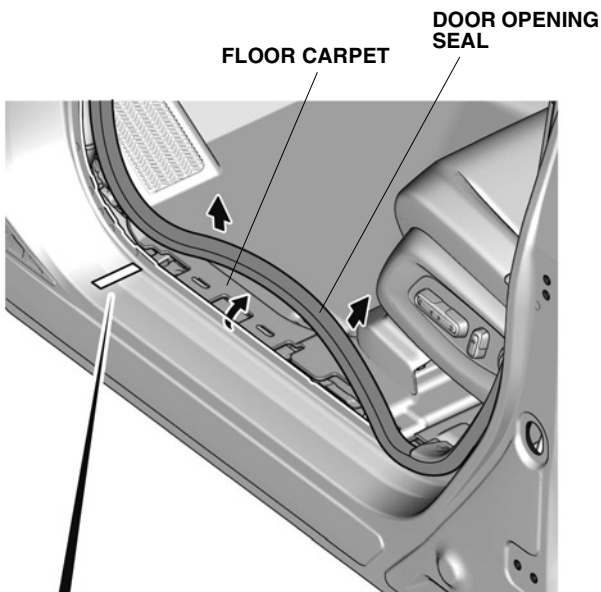
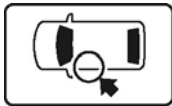
Installing the Side Step Garnishes (LHD)

50. Cut the protective tape.



QF20905AA

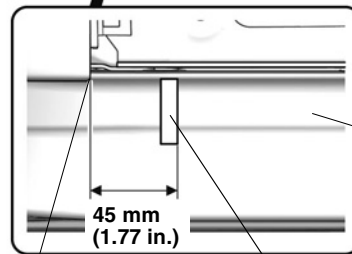
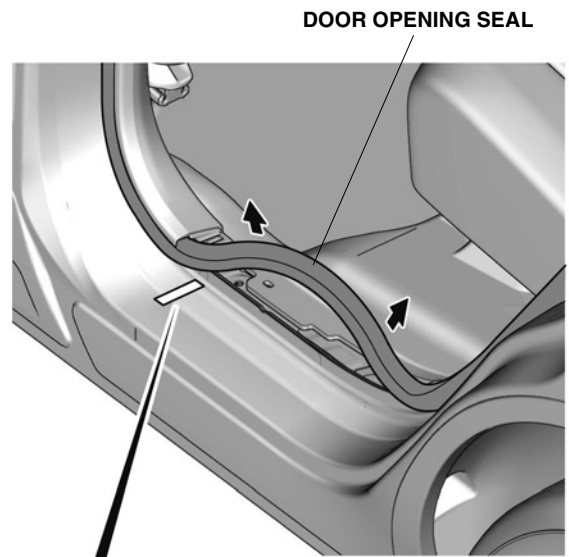
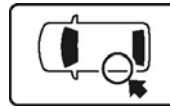
51. Attach the masking tape.



MASKING TAPE VEHICLE PANEL

QL01112AB

52. Attach the masking tape.



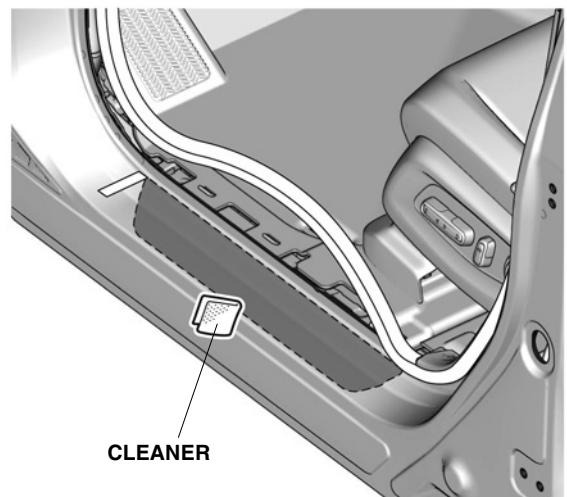
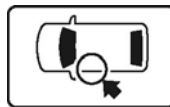
EDGE OF THE LEFT CENTER PILLAR LOWER TRIM PANEL MASKING TAPE

VEHICLE PANEL

QL01117BB

53. Clean the attaching area.

NOTICE
<ul style="list-style-type: none"> • Allow to dry thoroughly.



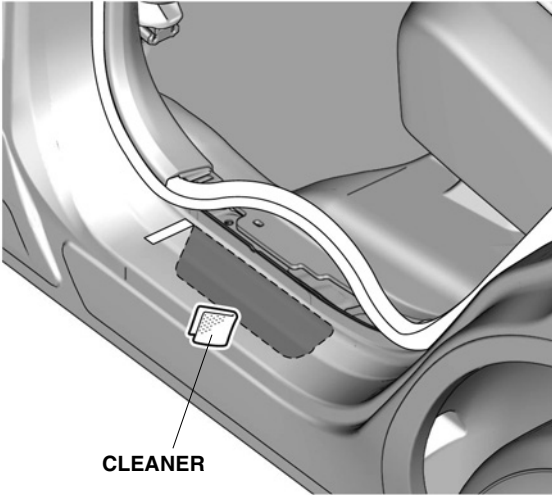
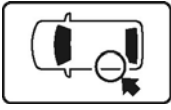
CLEANER

QL01113AB

54. Clean the attaching area.

NOTICE

- Allow to dry thoroughly.



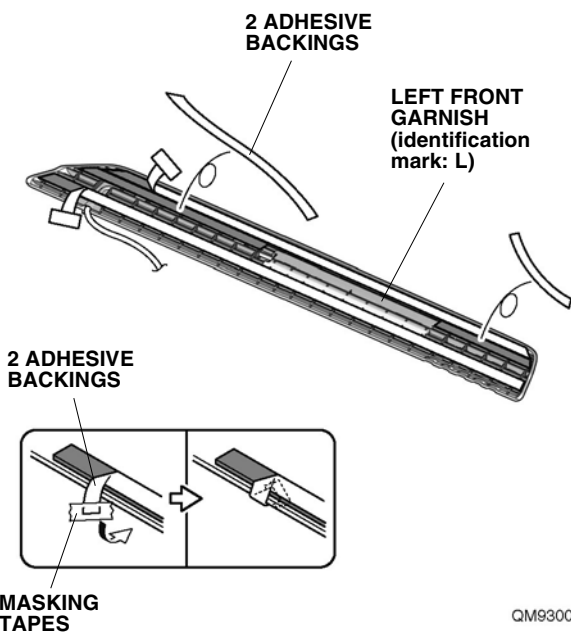
QL01118AB

55. Temporarily attach the adhesive backings.

56. Remove the adhesive backings.

NOTICE

- Make sure to check the identification mark before installation.

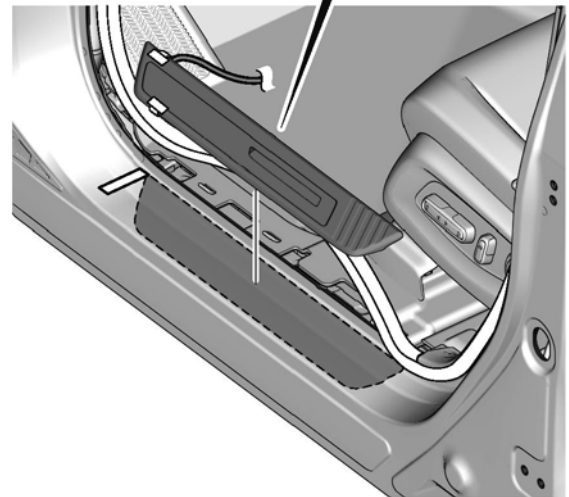
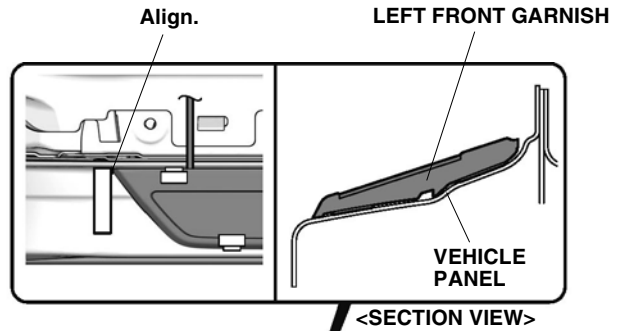
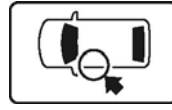


QM93004AA

57. Align the left front garnish.

NOTICE

- Check the installation position of the front garnish.

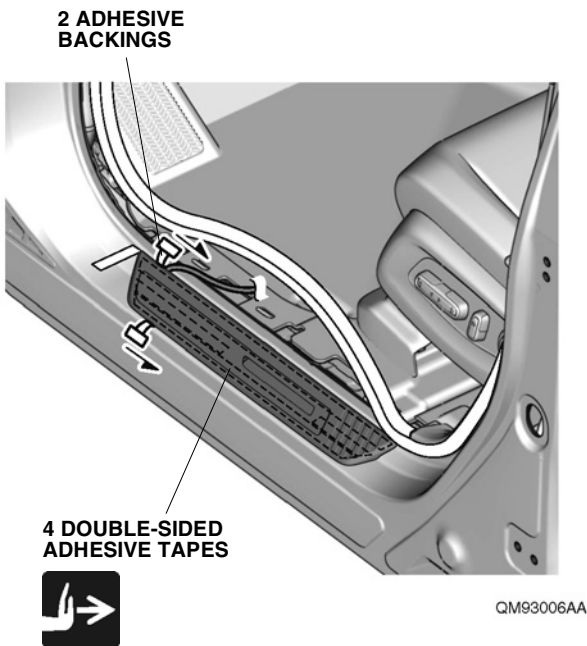


QM93005AA

58. Secure the left front garnish.

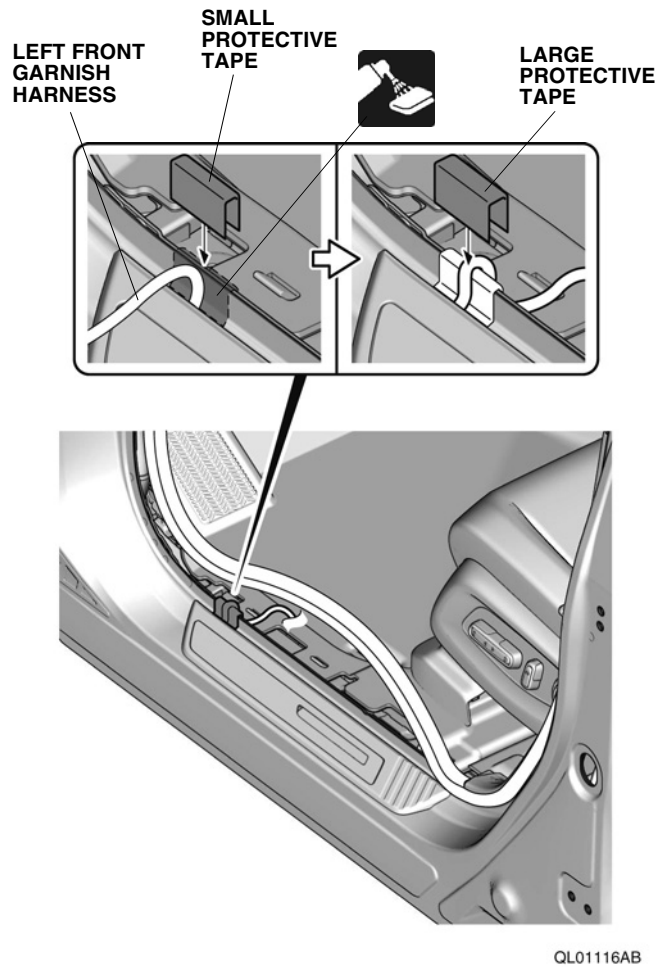
NOTICE

- Check the position of the double-sided adhesive tapes and make sure to press firmly.



59. Remove the masking tape.

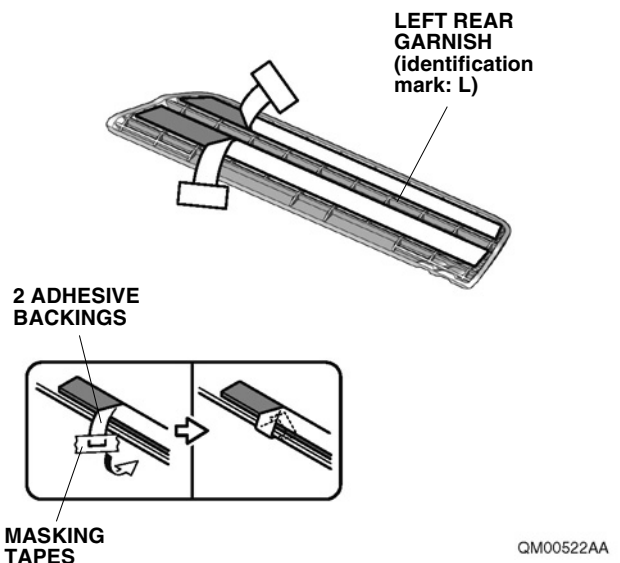
60. Secure the left front garnish harness.



61. Temporarily attach the adhesive backings.

NOTICE

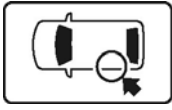
- Make sure to check the identification mark before installation.



62. Align the left rear garnish.

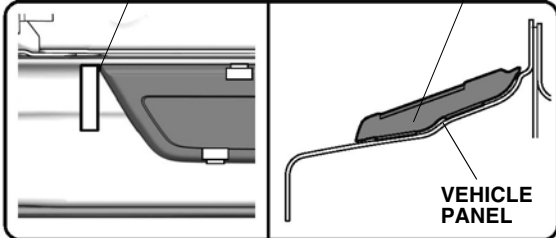
NOTICE

- Check the installation position of the rear garnish.

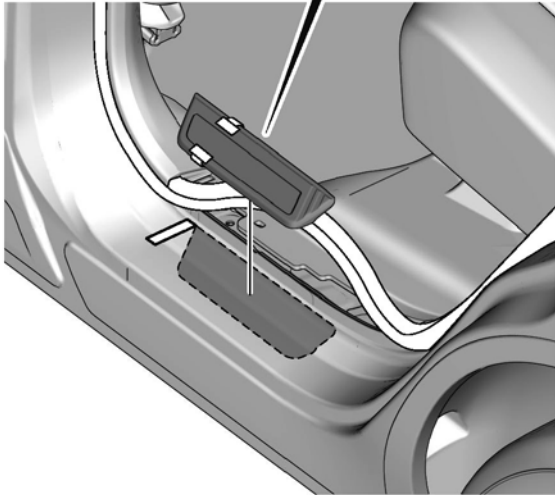


Align.

LEFT REAR GARNISH



<SECTION VIEW>



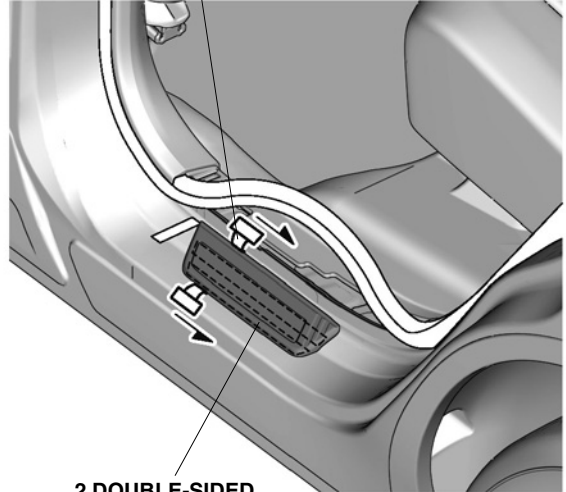
QM00523AA

63. Secure the left rear garnish.

NOTICE

- Check the position of the double-sided adhesive tapes and make sure to press firmly.

2 ADHESIVE BACKINGS



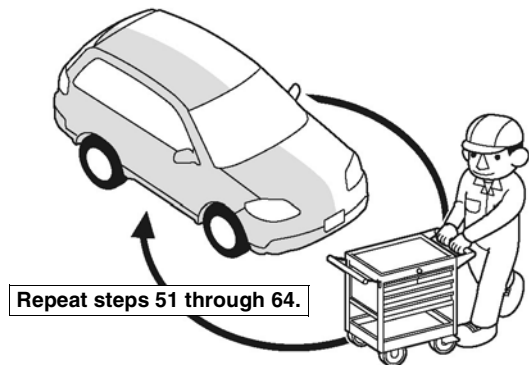
2 DOUBLE-SIDED ADHESIVE TAPES

QM00524AA



64. Remove the masking tape.

65. Repeat the same procedures on the other side.

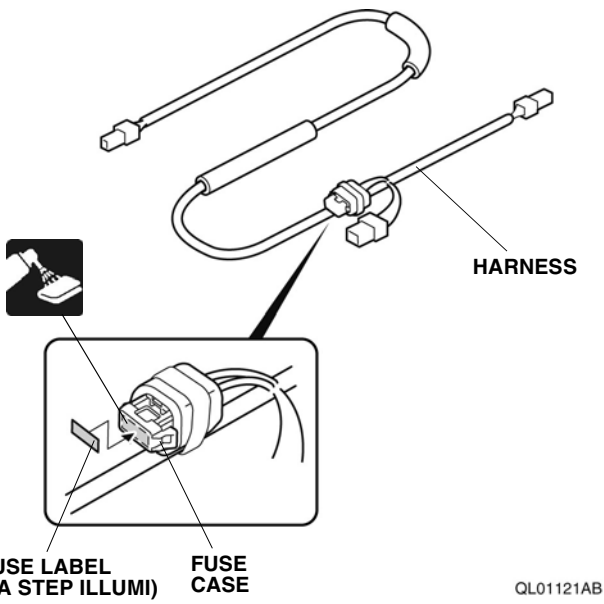


Repeat steps 51 through 64.

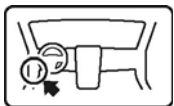
Q9D1014AM

Routing the Harness (LHD)

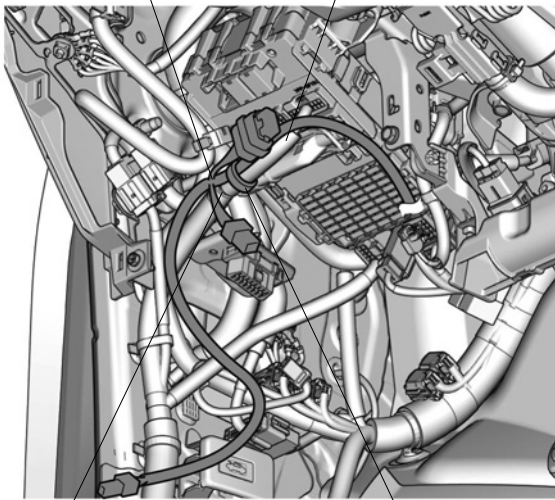
66. Attach the fuse label.



67. Secure the harness.

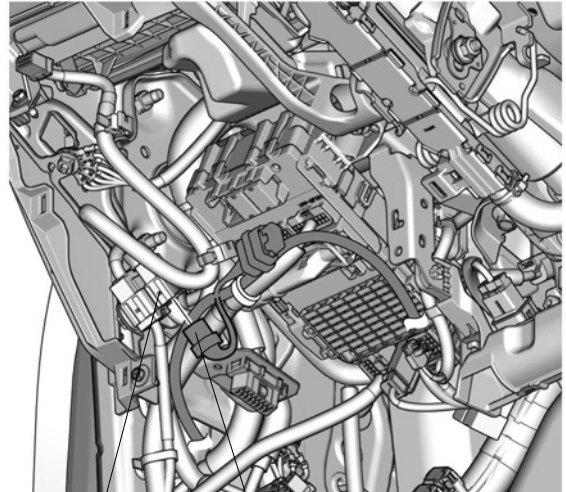


HARNESS BRANCH SECTION
VEHICLE HARNESS



VEHICLE HARNESS BRANCH SECTION
WIRE TIE A
QM62707AG

68. Connect the harness connector.



VEHICLE 8-PIN CONNECTOR
HARNESS 8-PIN CONNECTOR

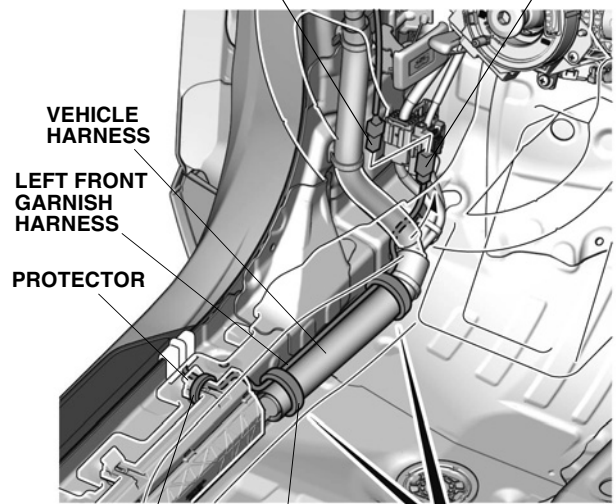
QM62708AG

69. Secure the left front garnish harness.

70. Connect the harness connector.

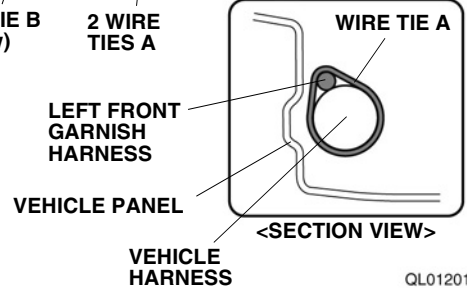


HARNESS 2-PIN CONNECTOR
LEFT FRONT GARNISH 2-PIN CONNECTOR



VEHICLE HARNESS
LEFT FRONT GARNISH HARNESS
PROTECTOR

WIRE TIE B (narrow)
2 WIRE TIES A

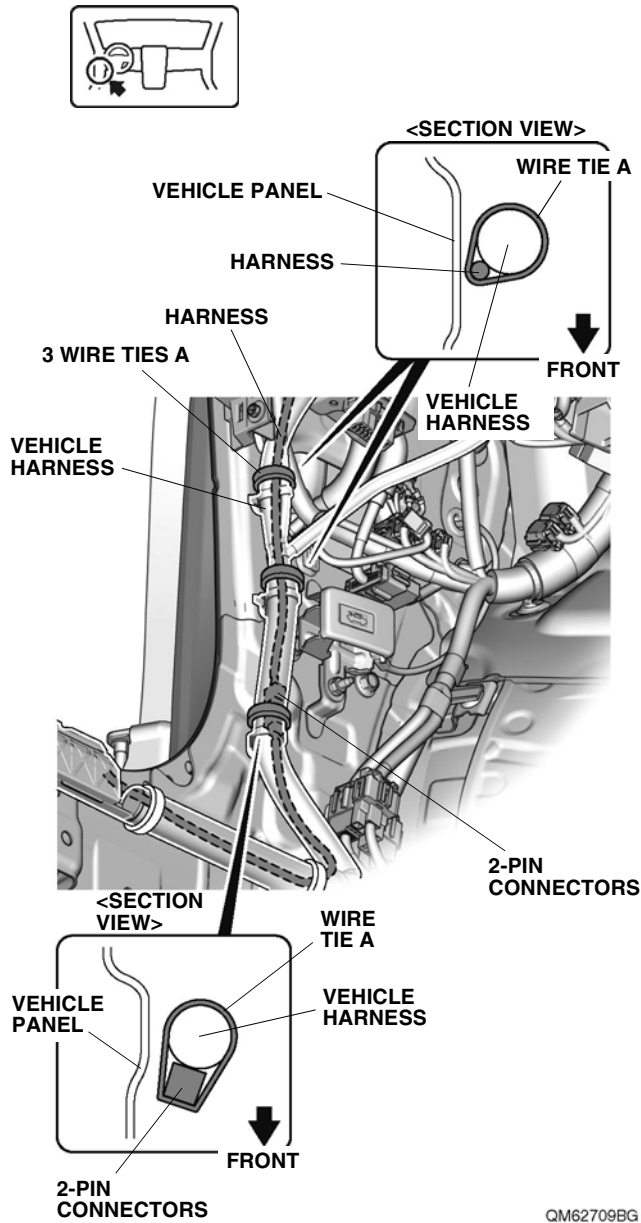


LEFT FRONT GARNISH HARNESS
VEHICLE PANEL

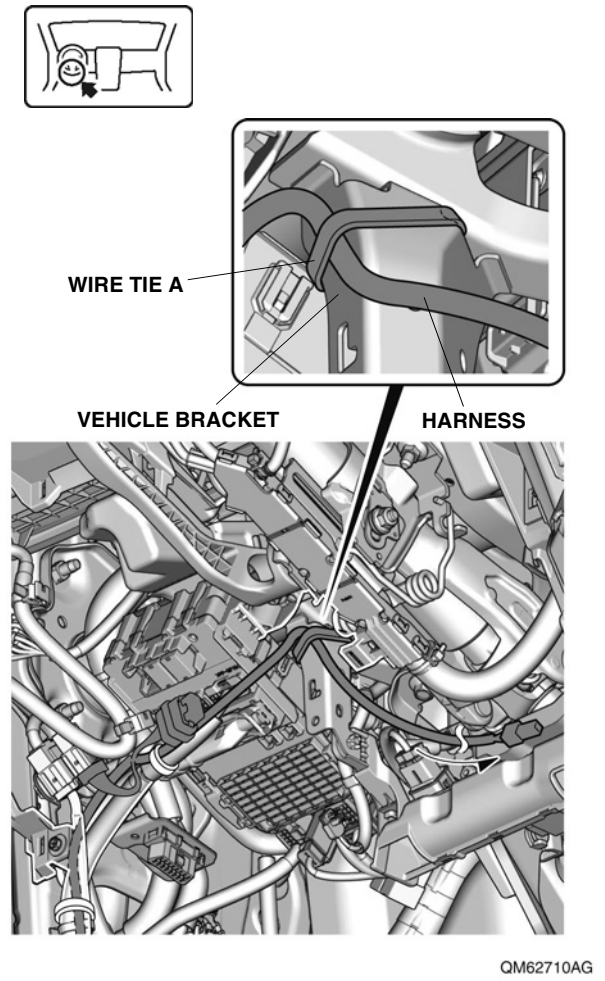
VEHICLE HARNESS

QL01201AB

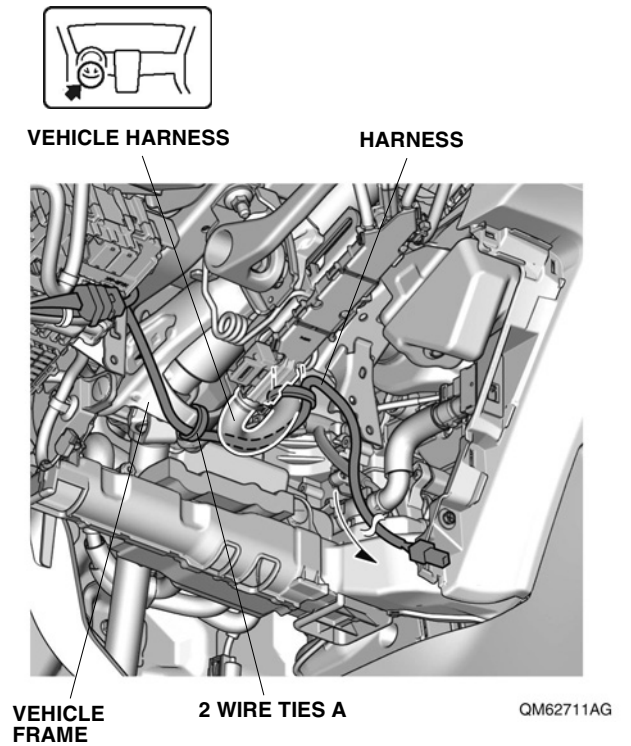
71. Secure the harness and connectors.



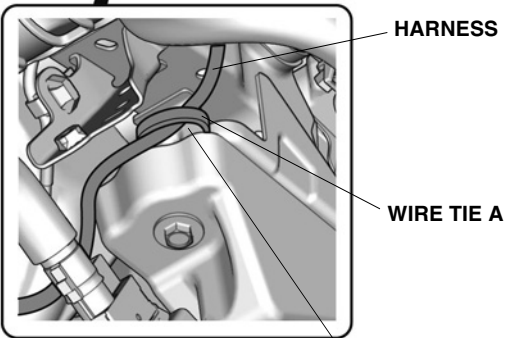
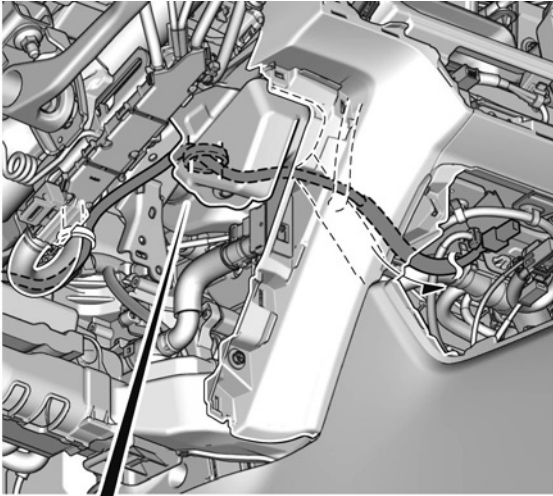
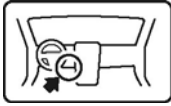
72. Secure the harness.



73. Secure the harness.



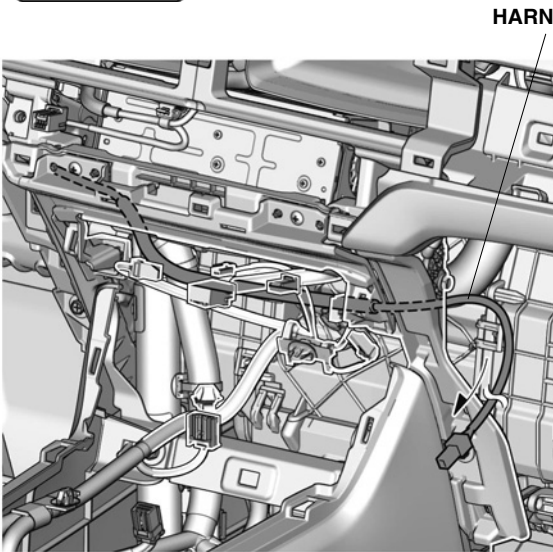
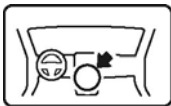
74. Secure the harness.



<OPPOSITE SIDE VIEW>

VEHICLE FRAME QM62712AG

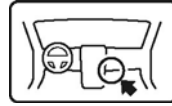
75. Route the harness.



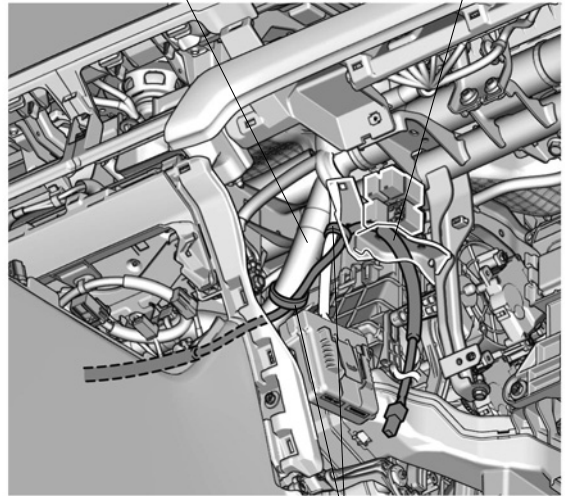
HARNESS

QM62713AG

76. Secure the harness.

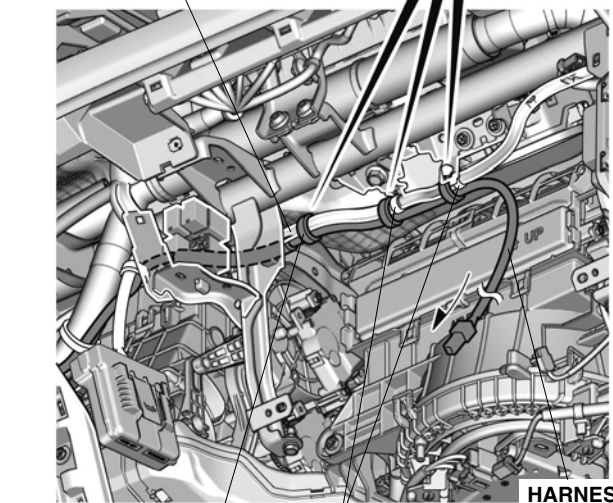
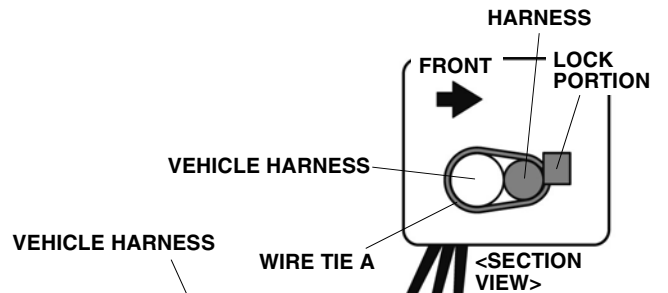
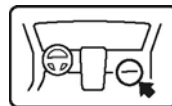


VEHICLE HARNESS HARNESS



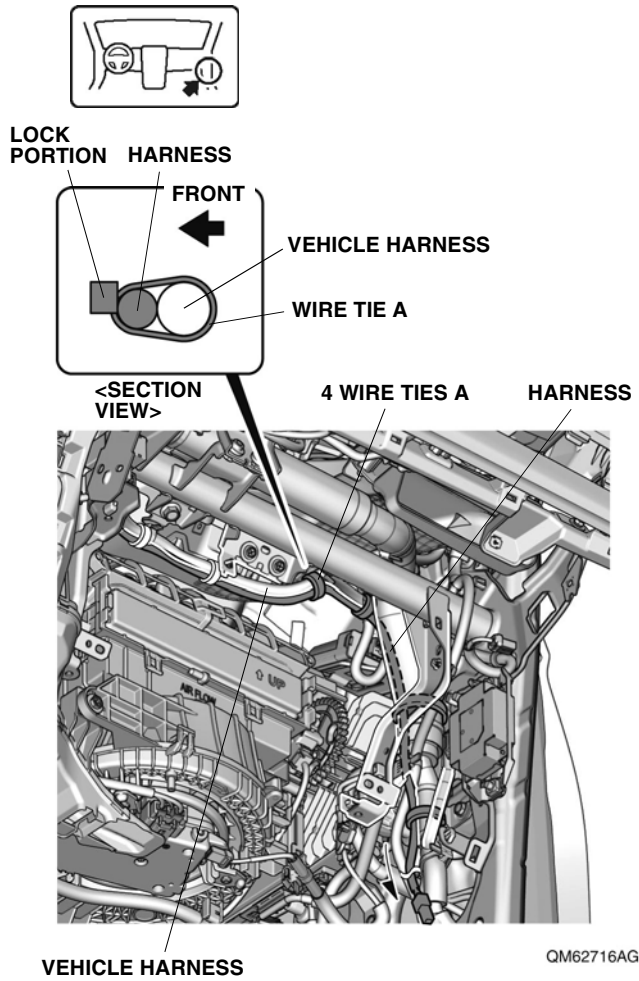
2 WIRE TIES A QM62714AG

77. Secure the harness.



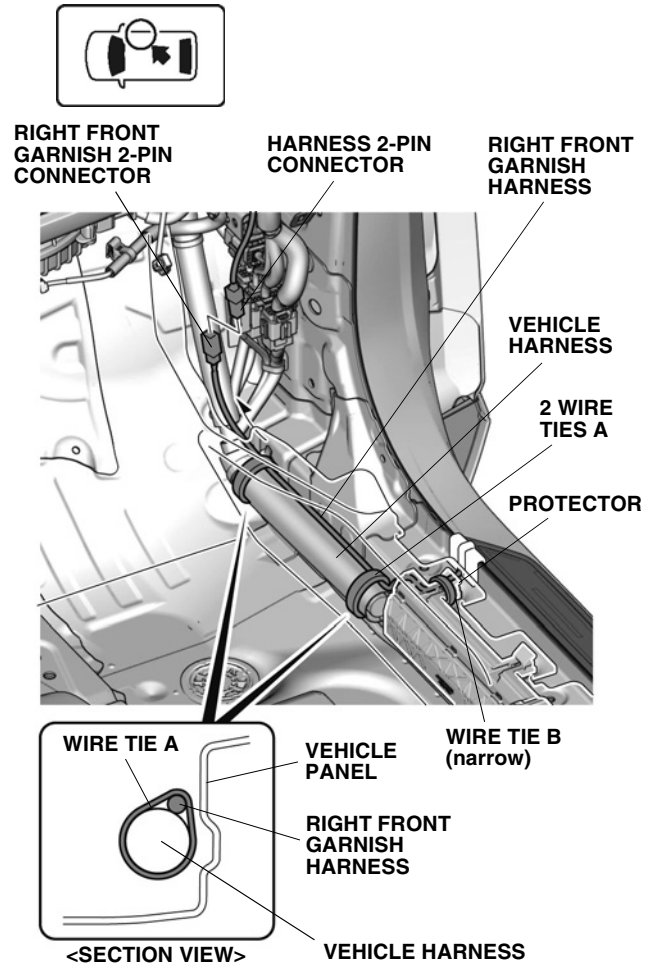
3 WIRE TIES A 2 VEHICLE CLIPS HARNESS QM62715AG

78. Secure the harness.

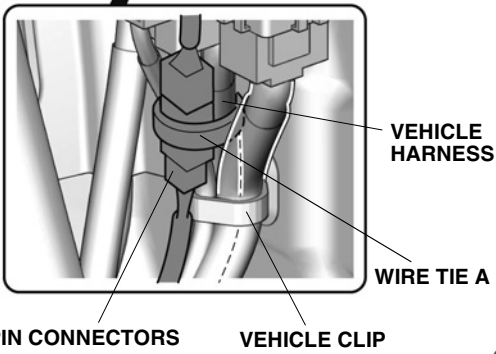
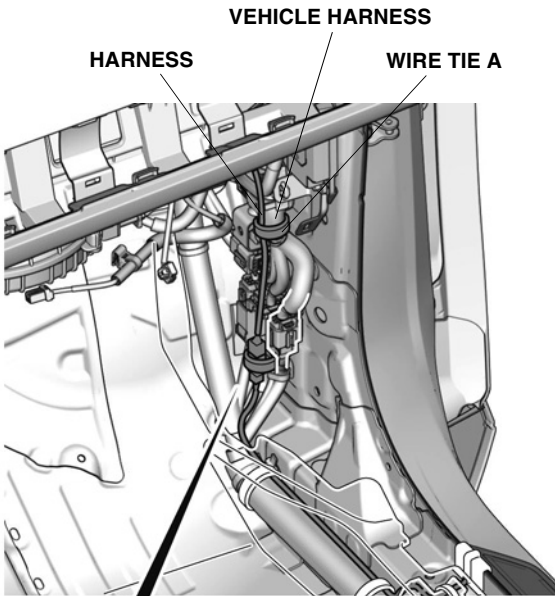
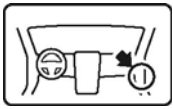


79. Secure the right front garnish harness.

80. Connect the harness connector.

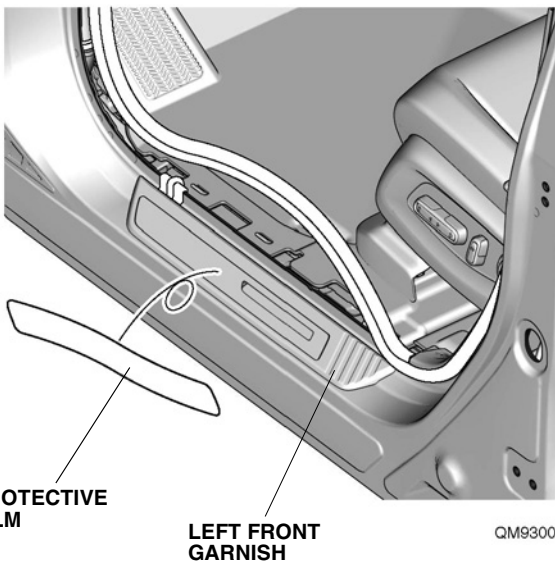
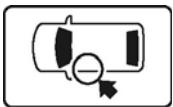


81. Secure the harness and connectors.



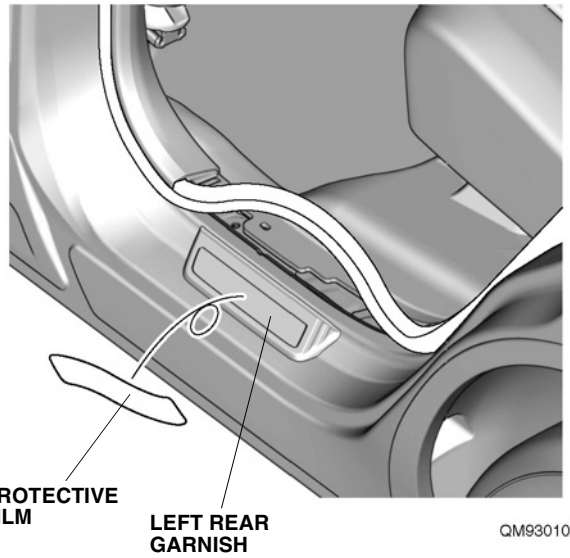
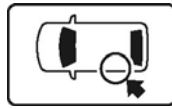
QM62718AG

82. Remove the protective film.



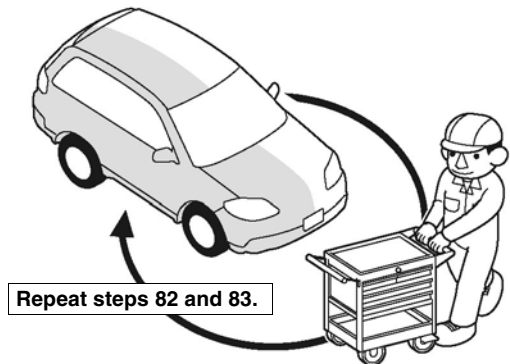
QM93009AA

83. Remove the protective film.



QM93010AA

84. Repeat the same procedures on the other side.



Q9D1014AM

To step 141

Removing the Vehicle Parts (RHD)

85. Remove the passenger's dashboard side lid.

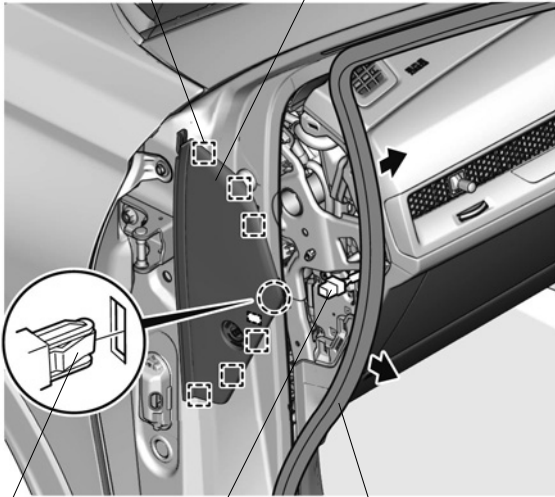
⚠ CAUTION

- Work after leaving more than three minutes after disconnecting the negative cable from the battery.



6 RETAINING
TABS

PASSENGER'S
DASHBOARD SIDE LID



CLIP

VEHICLE
CONNECTOR

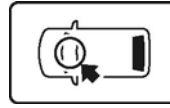
DOOR OPENING
SEAL

QM62808AG

86. Attach the tapes to protect the vehicle.

NOTICE

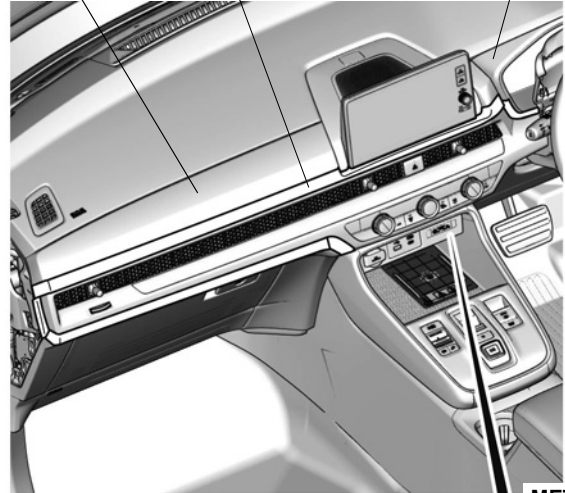
- Do not remove the tapes until after the reinstallation.



INSTRUMENT
PANEL

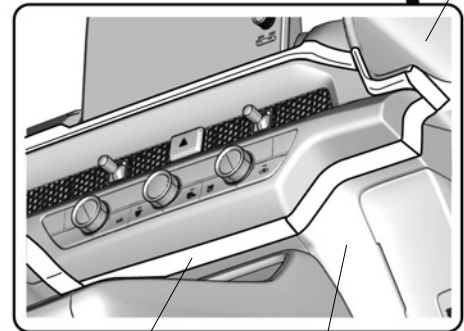
TAPES

METER VISOR



METER
VISOR

<OPPOSITE SIDE VIEW>

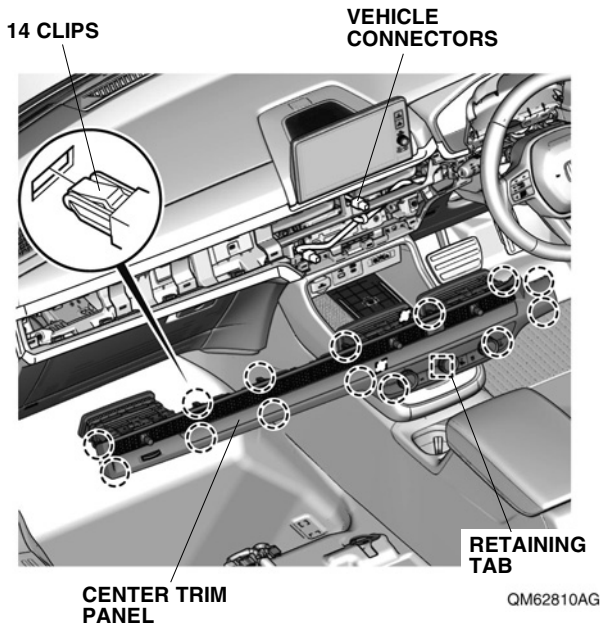


TAPES

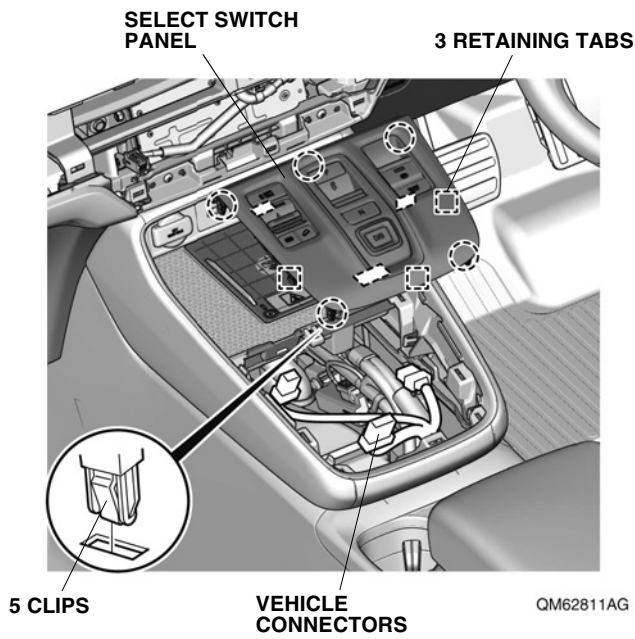
INSTRUMENT
PANEL

QM62809AG

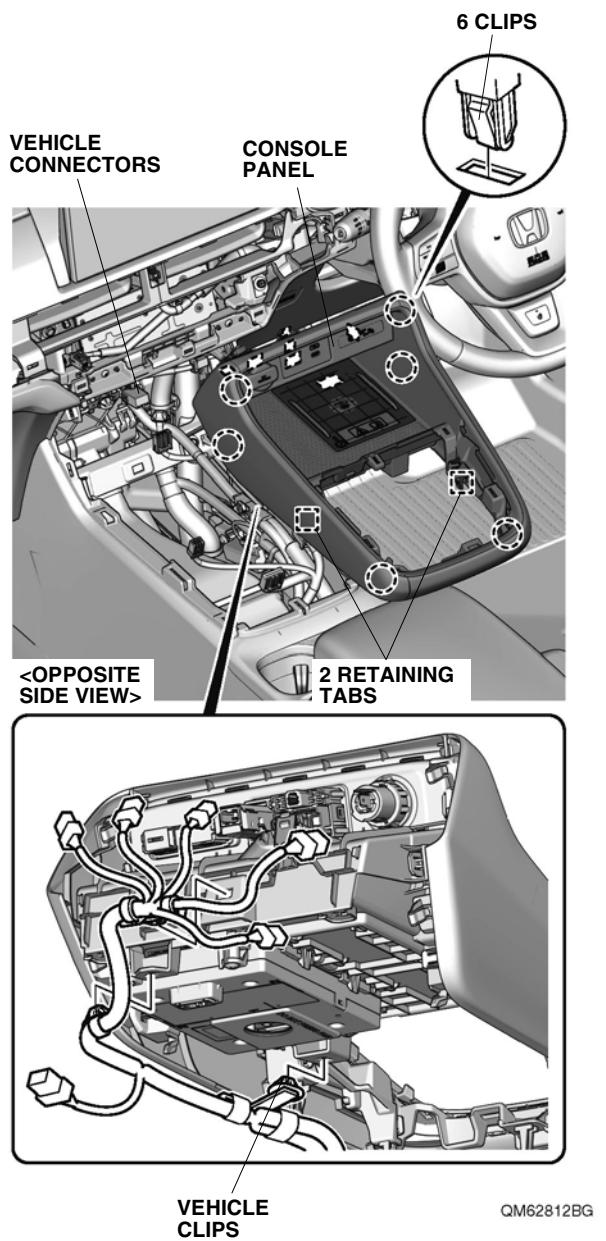
87. Remove the center trim panel.



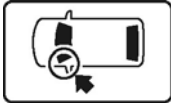
88. Remove the select switch panel.



89. Remove the console panel.

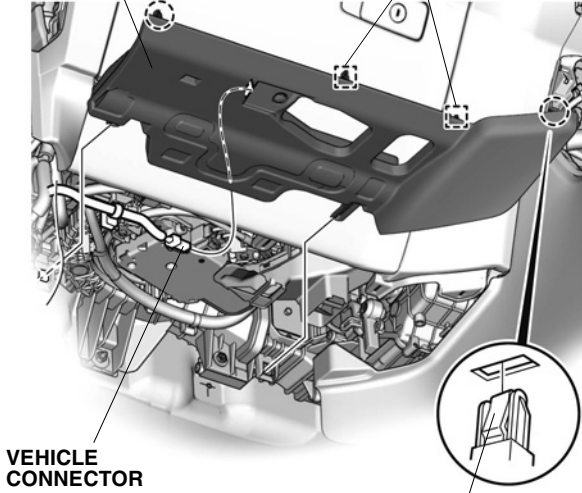


90. Remove the passenger's dashboard under cover.



PASSENGER'S DASHBOARD UNDER COVER

2 RETAINING TABS



VEHICLE CONNECTOR

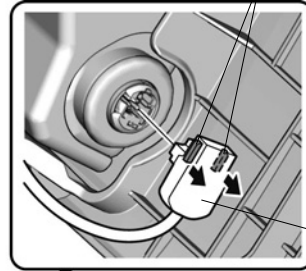
2 CLIPS QM62813AG

91. Remove the passenger's knee airbag.

CAUTION

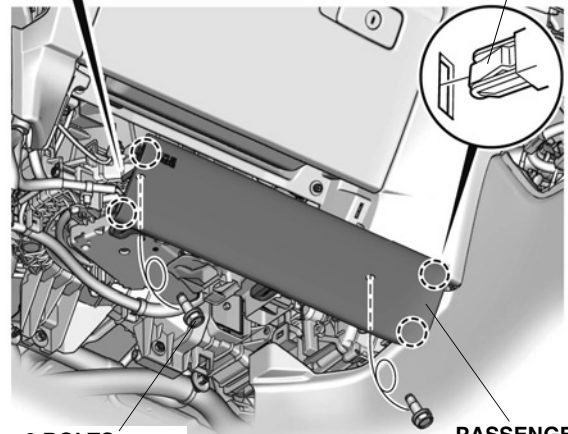
- Work after leaving more than three minutes after disconnecting the negative cable from the battery.
- Do not drop the removed airbag or hit it on an object.
- Place the removed airbag on a safe place with the pad surface (top) facing upward.

2 LOCKING TABS (Pull up.)



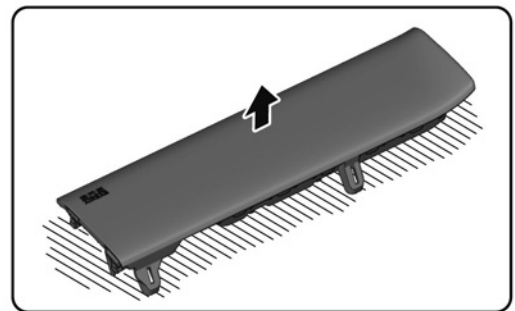
VEHICLE CONNECTOR

4 CLIPS



2 BOLTS (Do not reuse.)

PASSENGER'S KNEE AIRBAG

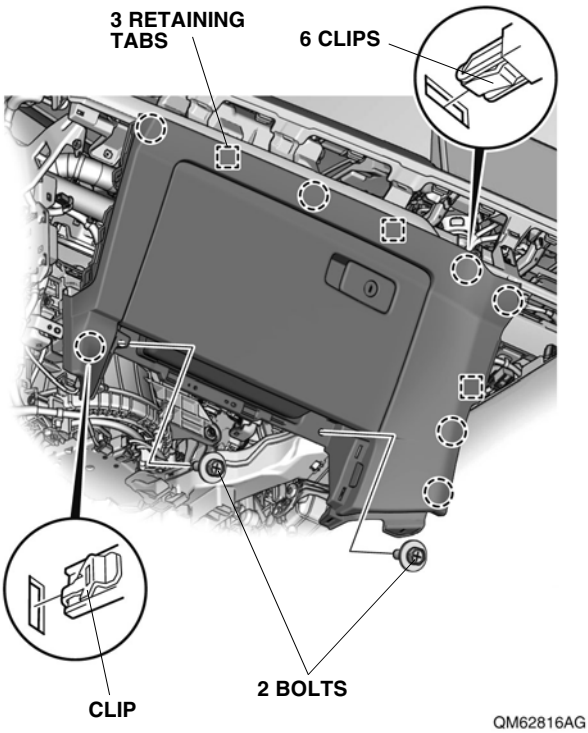


QM62814AG

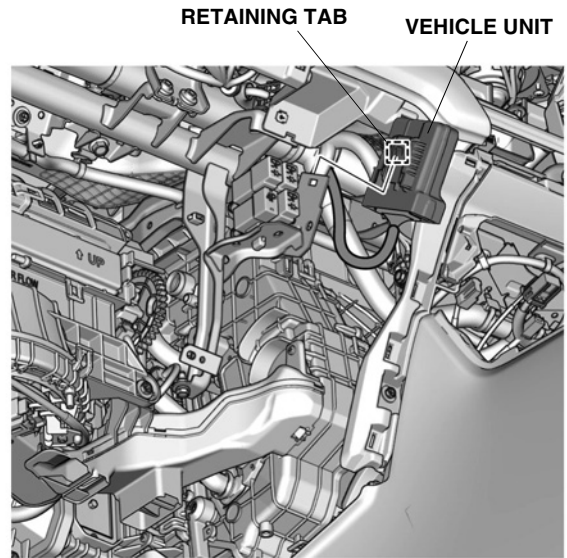
- 92. Open the glove box.
- 93. Remove the self-tapping screws.



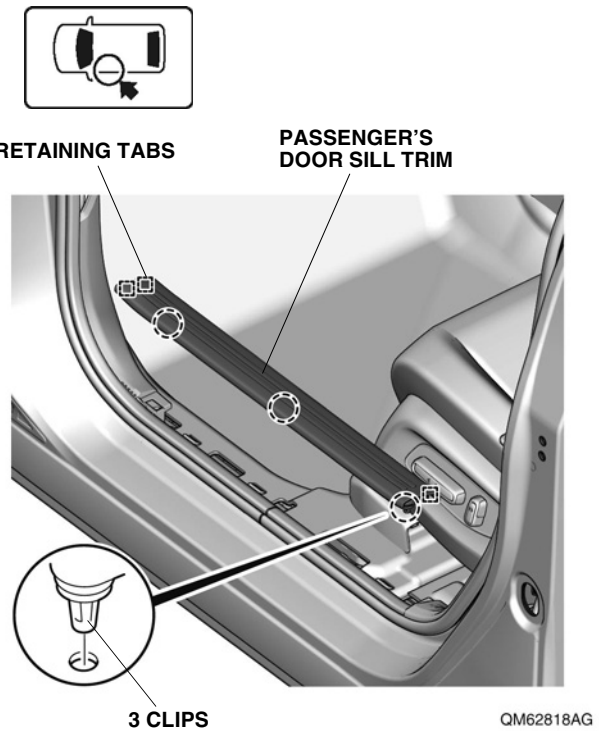
- 94. Close the glove box.
- 95. Remove the glove box.



- 96. Release the vehicle unit.



- 97. Remove the passenger's door sill trim.

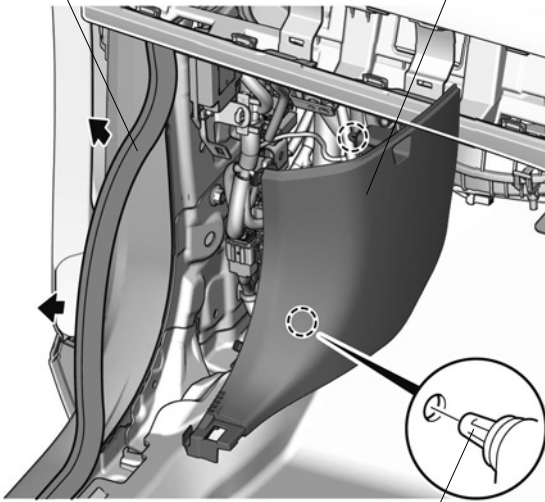


98. Remove the passenger's kick panel.



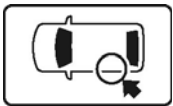
DOOR OPENING SEAL

PASSENGER'S KICK PANEL



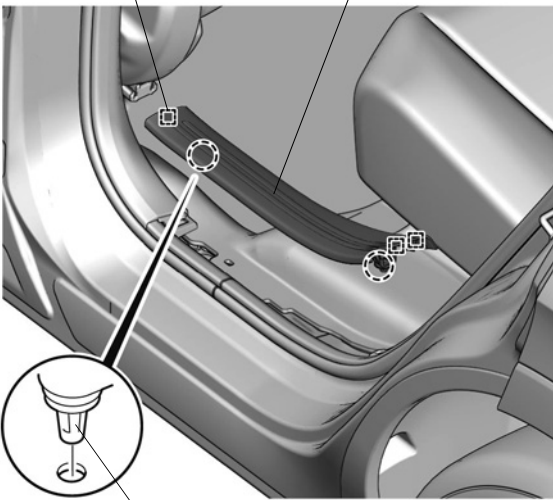
2 CLIPS QM62819AG

99. Remove the left rear door sill trim.



3 RETAINING TABS

LEFT REAR DOOR SILL TRIM



2 CLIPS

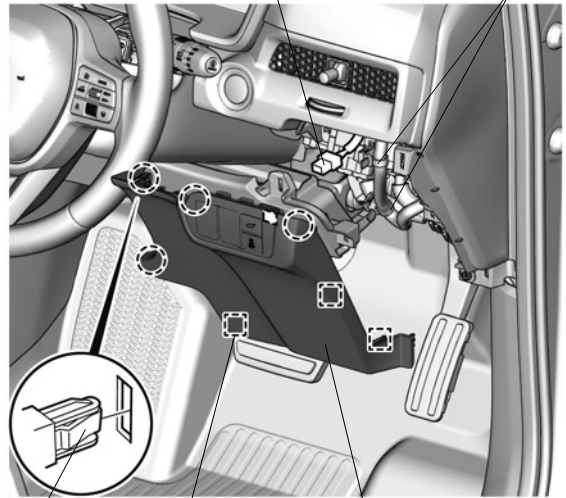
QM62820AG

100. Remove the driver's outside lower cover.



VEHICLE CONNECTOR

2 VEHICLE CLIPS



4 CLIPS

3 RETAINING TABS

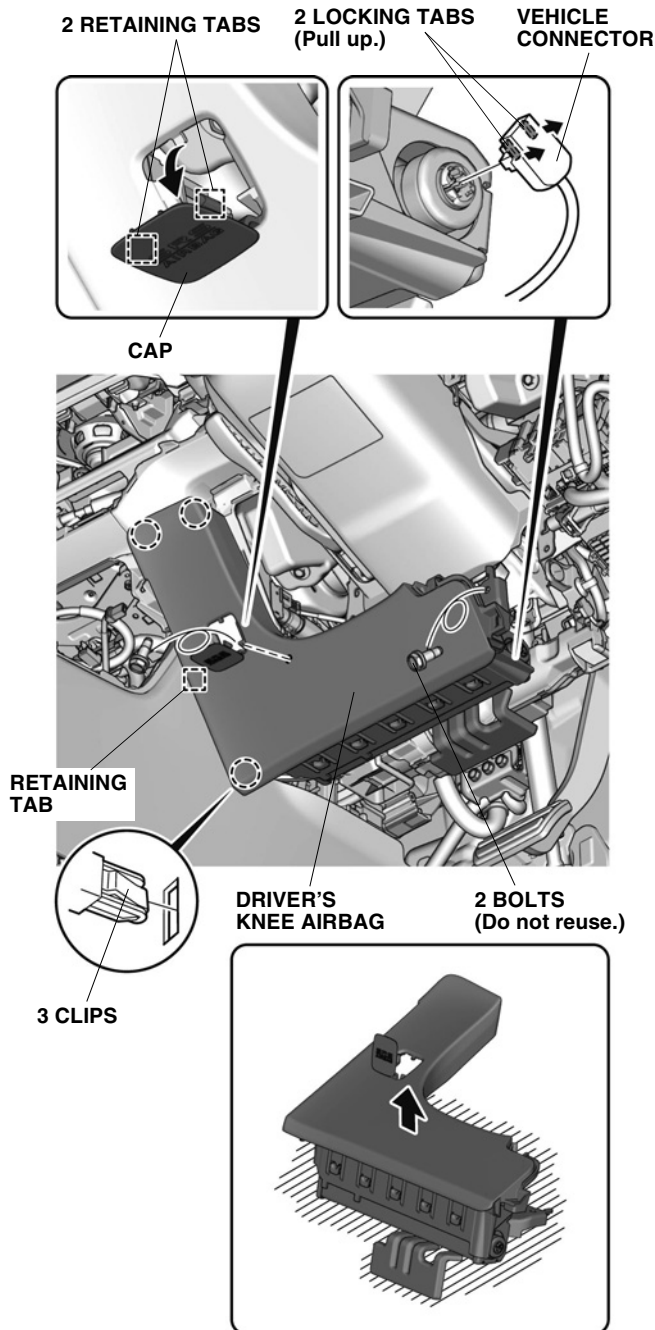
DRIVER'S OUTSIDE LOWER COVER

QM62821AG

101. Remove the driver's knee airbag.

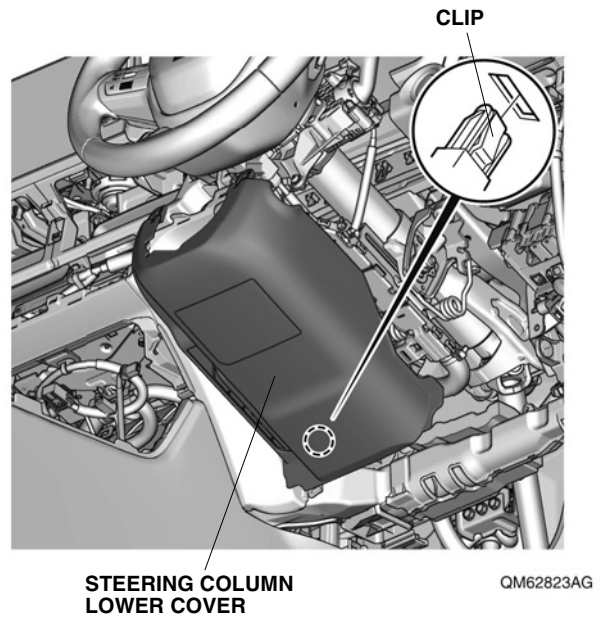
⚠ CAUTION

- Work after leaving more than three minutes after disconnecting the negative cable from the battery.
- Do not drop the removed airbag or hit it on an object.
- Place the removed airbag on a safe place with the pad surface (top) facing upward.



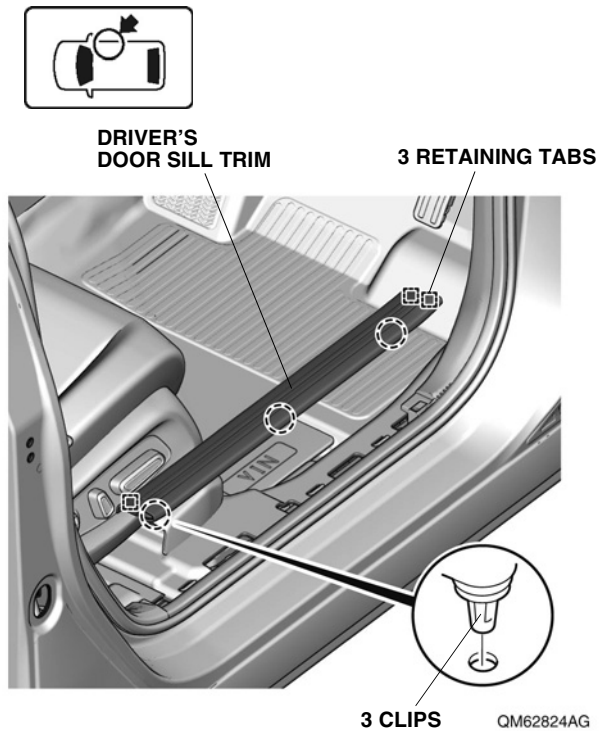
QM62822AG

102. Remove the steering column lower cover.



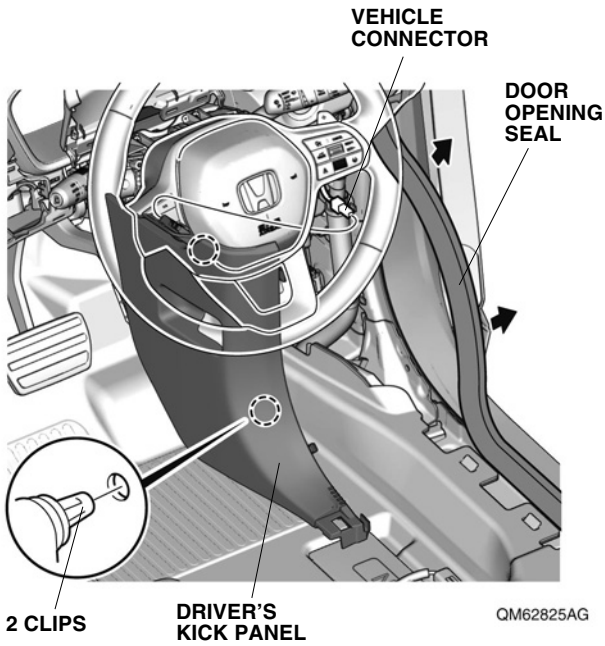
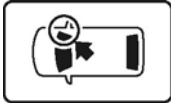
QM62823AG

103. Remove the driver's door sill trim.

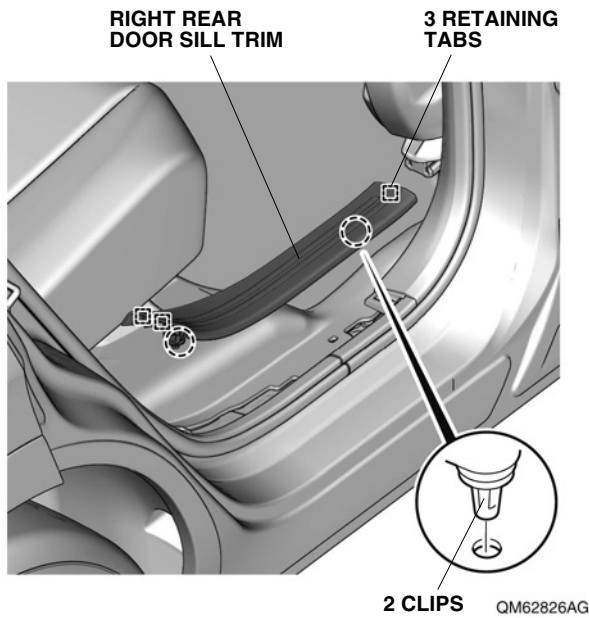
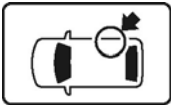


QM62824AG

104. Remove the driver's kick panel.

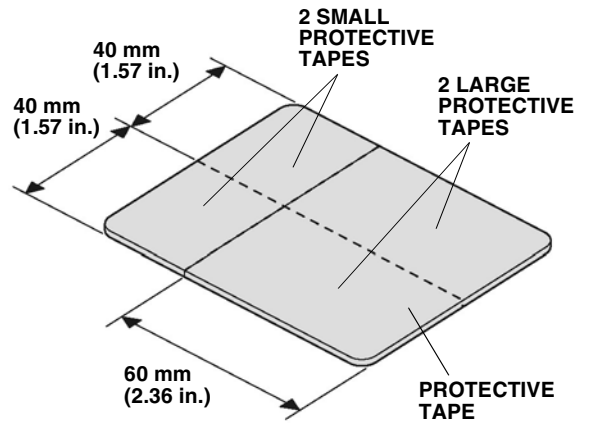


105. Remove the right rear door sill trim.



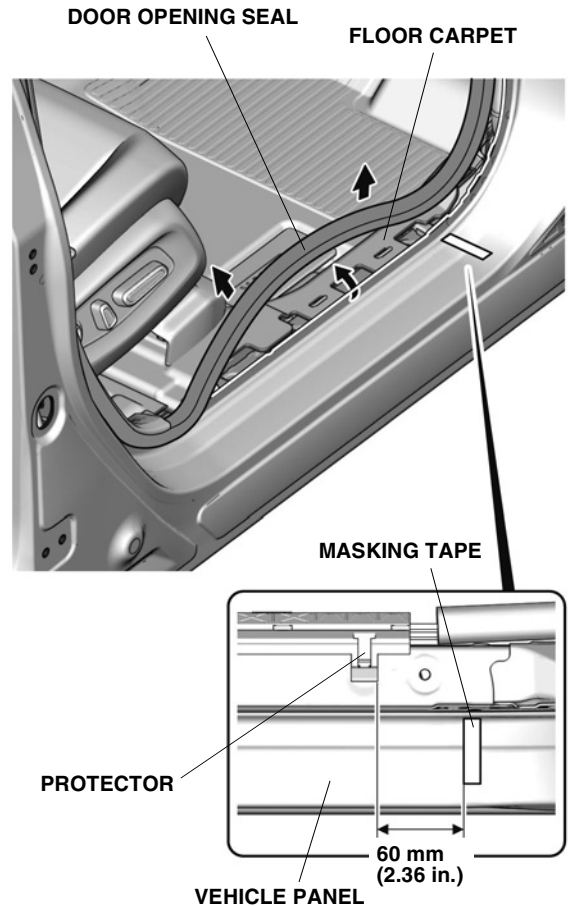
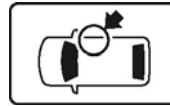
Installing the Side Step Garnishes (RHD)

106. Cut the protective tape.

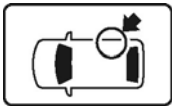


QF20905AA

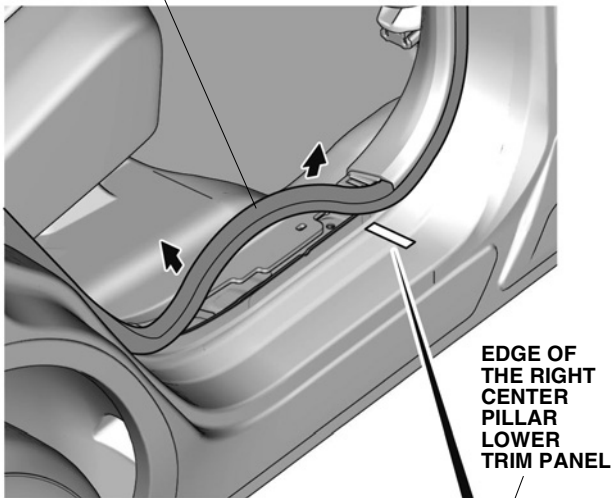
107. Attach the masking tape.



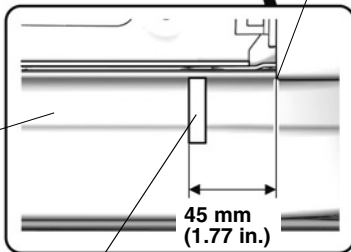
108. Attach the masking tape.



DOOR OPENING SEAL



EDGE OF THE RIGHT CENTER PILLAR LOWER TRIM PANEL



VEHICLE PANEL

45 mm (1.77 in.)

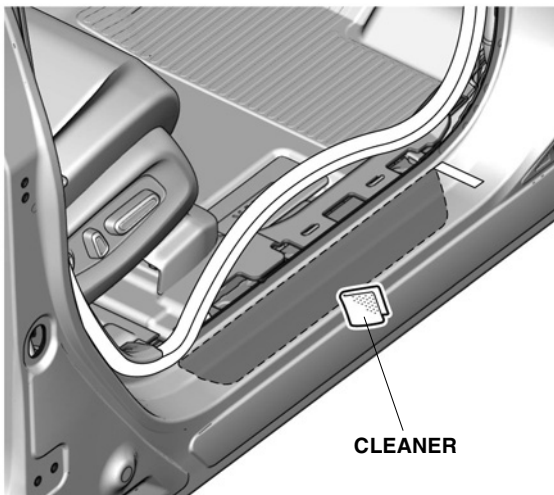
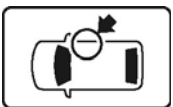
MASKING TAPE

QM62828AG

109. Clean the attaching area.

NOTICE

- Allow to dry thoroughly.



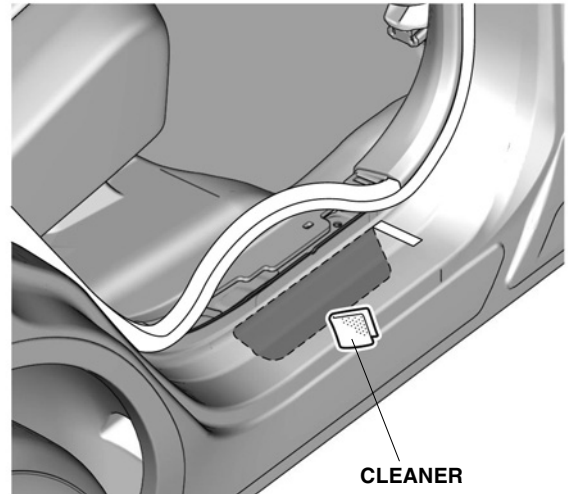
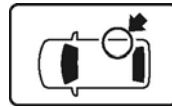
CLEANER

QM62829AG

110. Clean the attaching area.

NOTICE

- Allow to dry thoroughly.



CLEANER

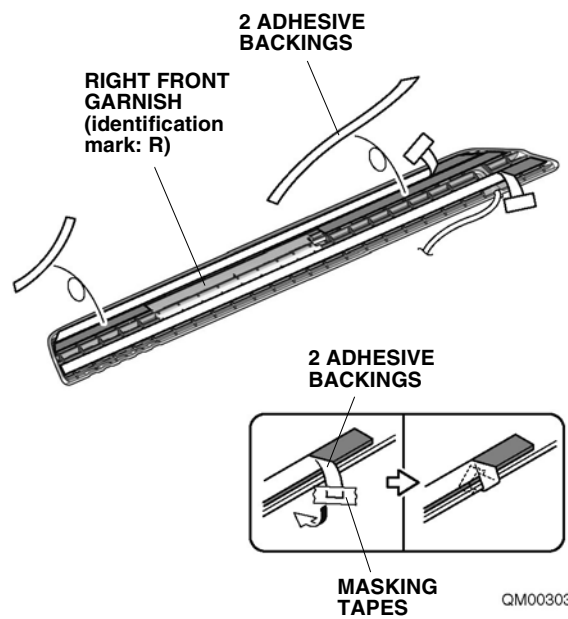
QM62830AG

111. Temporarily attach the adhesive backings.

112. Remove the adhesive backings.

NOTICE

- Make sure to check the identification mark before installation.



2 ADHESIVE BACKINGS

RIGHT FRONT GARNISH (identification mark: R)

2 ADHESIVE BACKINGS

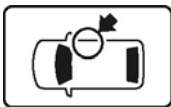
MASKING TAPES

QM00303AA

113. Align the right front garnish.

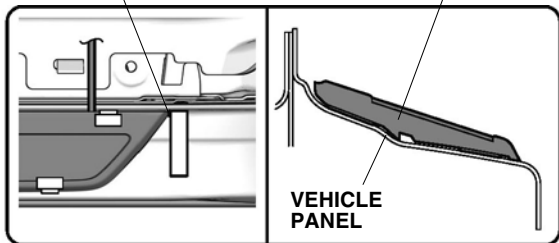
NOTICE

- Check the installation position of the front garnish.

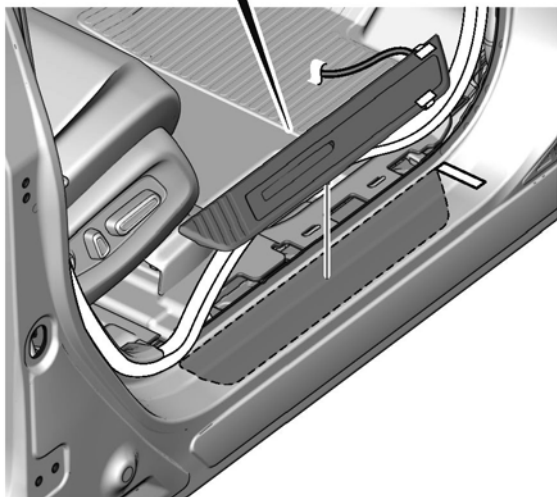


Align.

RIGHT FRONT GARNISH



<SECTION VIEW>



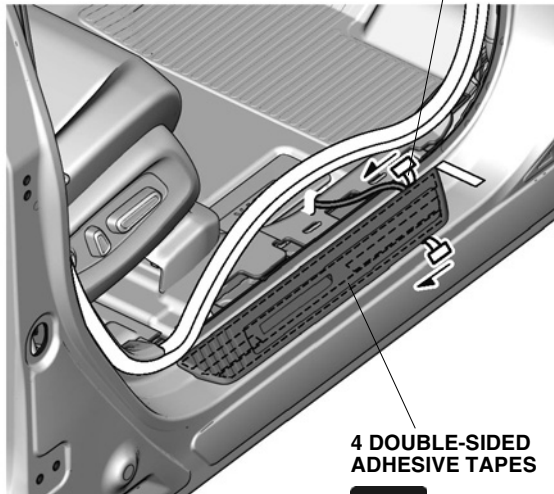
QM00304AA

114. Secure the right front garnish.

NOTICE

- Check the position of the double-sided adhesive tapes and make sure to press firmly.

2 ADHESIVE BACKINGS



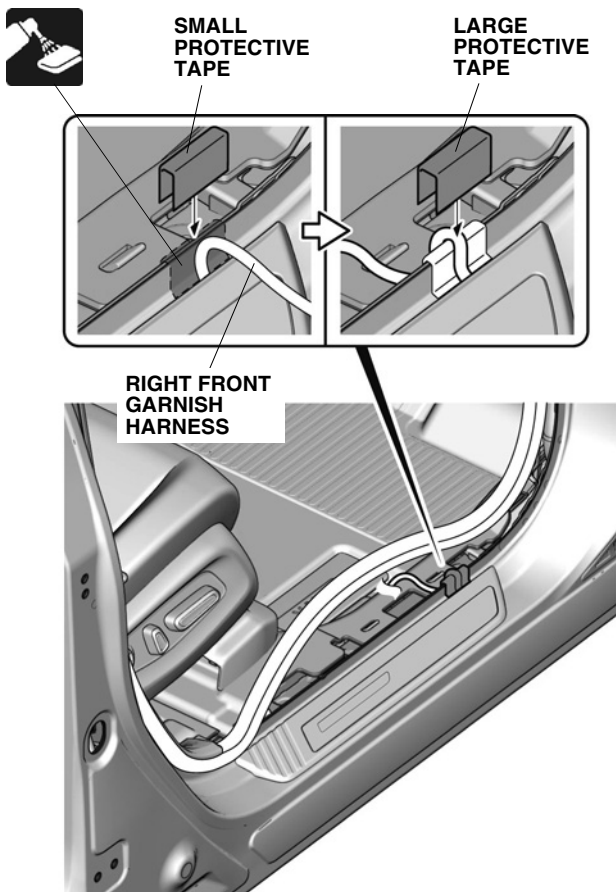
4 DOUBLE-SIDED ADHESIVE TAPES



QM00305AA

115. Remove the masking tape.

116. Secure the right front garnish harness.

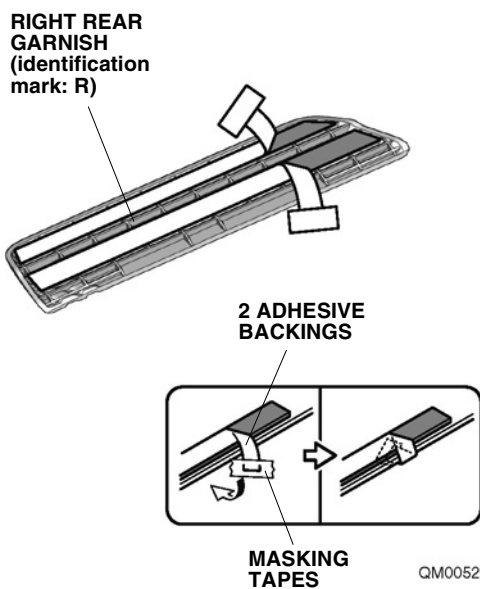


QM62832AG

117. Temporarily attach the adhesive backings.

NOTICE

- Make sure to check the identification mark before installation.

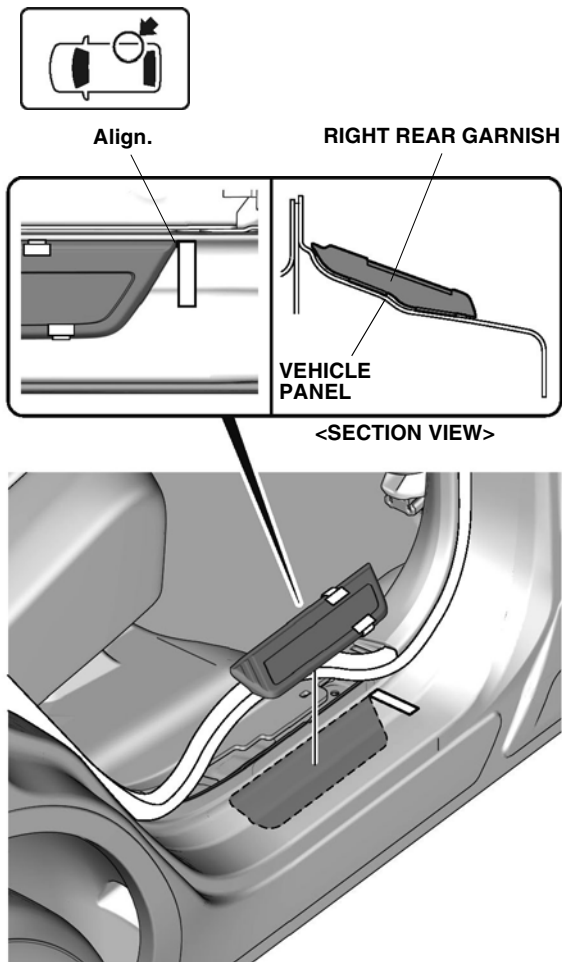


QM00526AA

118. Align the right rear garnish.

NOTICE

- Check the installation position of the rear garnish.



QM00527AA

119. Secure the right rear garnish.

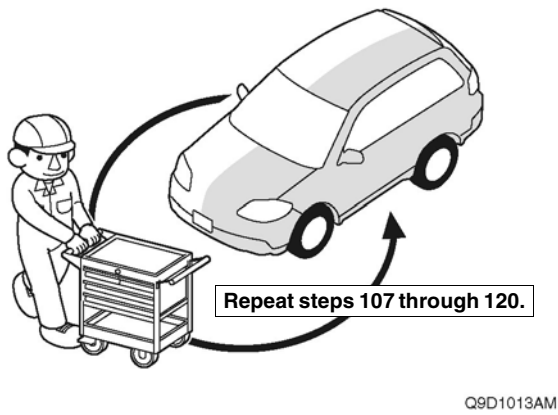
NOTICE

- Check the position of the double-sided adhesive tapes and make sure to press firmly.



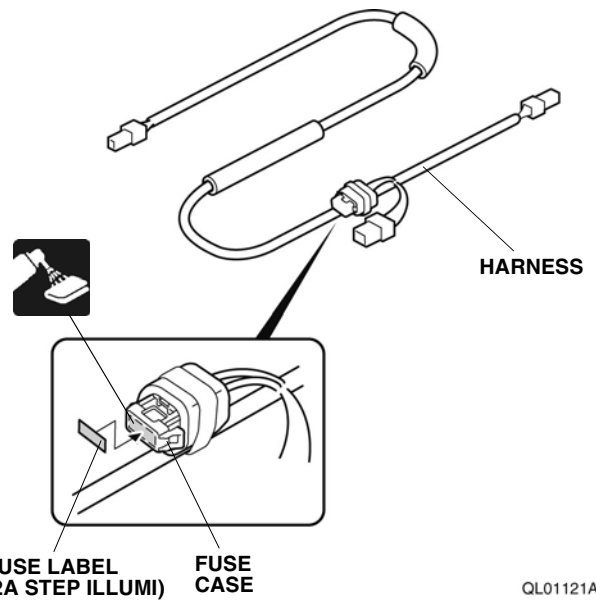
120. Remove the masking tape.

121. Repeat the same procedures on the other side.

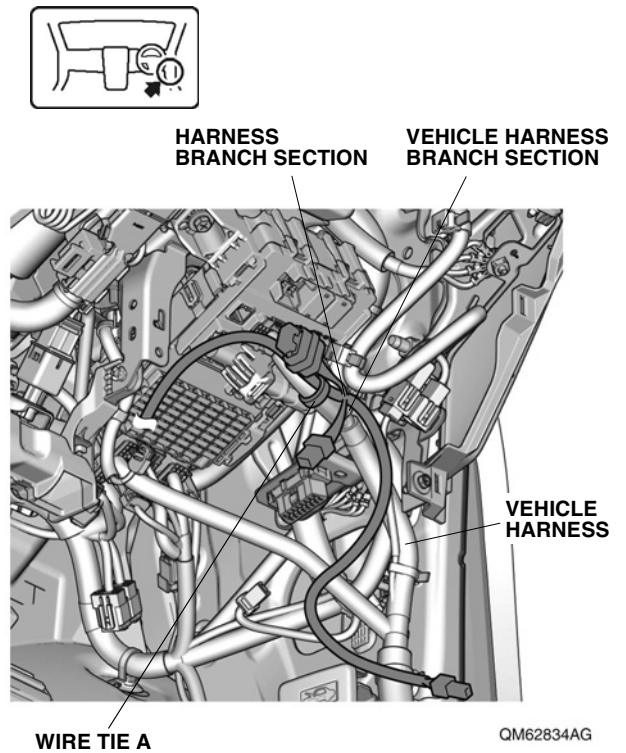


Routing the Harness (RHD)

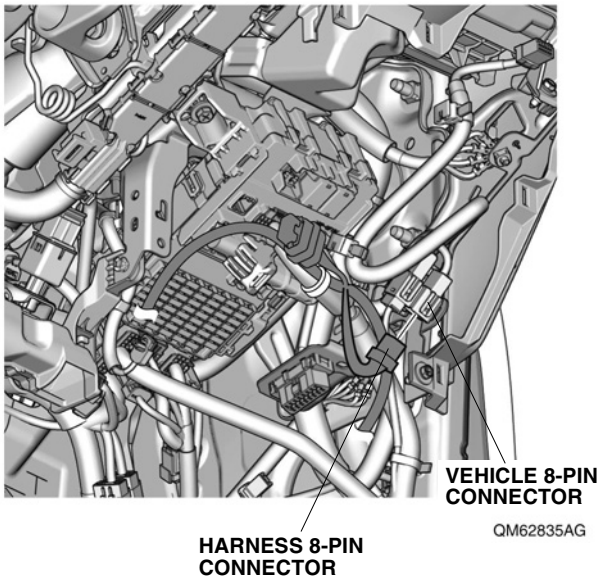
122. Attach the fuse label.



123. Secure the harness.



124. Connect the harness connector.



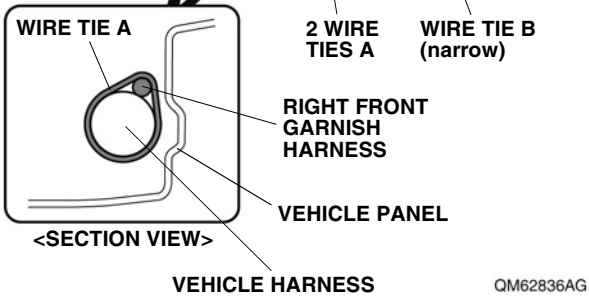
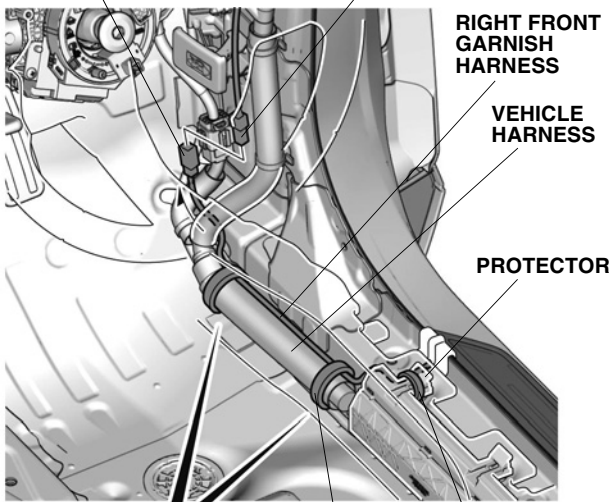
125. Secure the right front garnish harness.

126. Connect the harness connector.

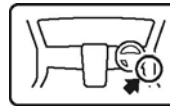


RIGHT FRONT GARNISH 2-PIN CONNECTOR

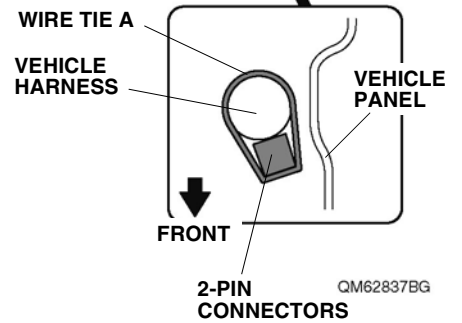
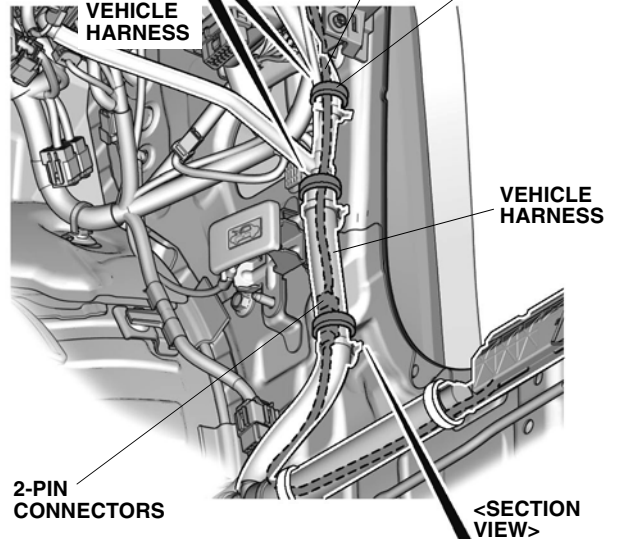
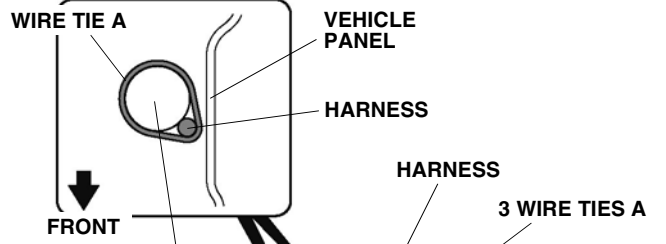
HARNESS 2-PIN CONNECTOR



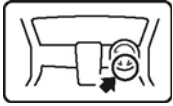
127. Secure the harness and connectors.



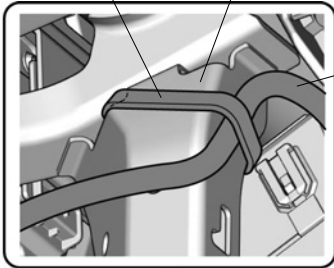
<SECTION VIEW>



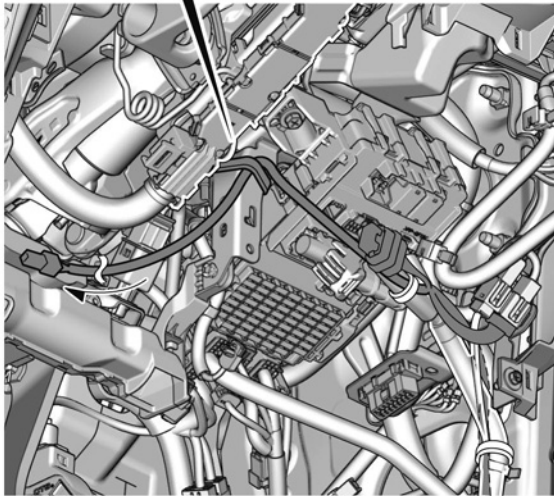
128. Secure the harness.



WIRE TIE A VEHICLE BRACKET



HARNESS



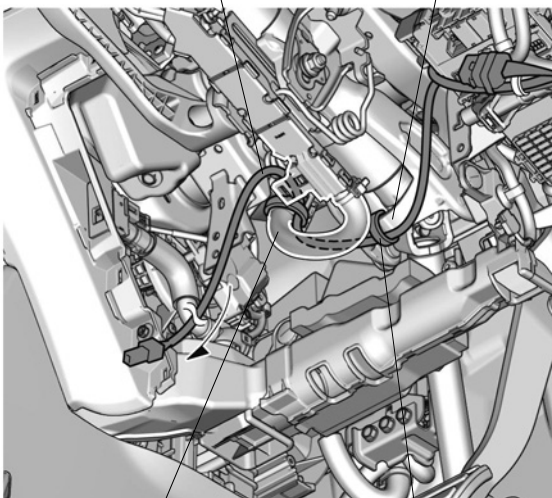
QM62838AG

129. Secure the harness.



HARNESS

VEHICLE FRAME

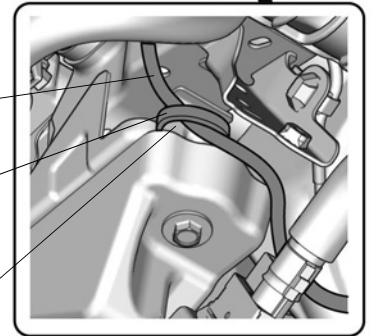
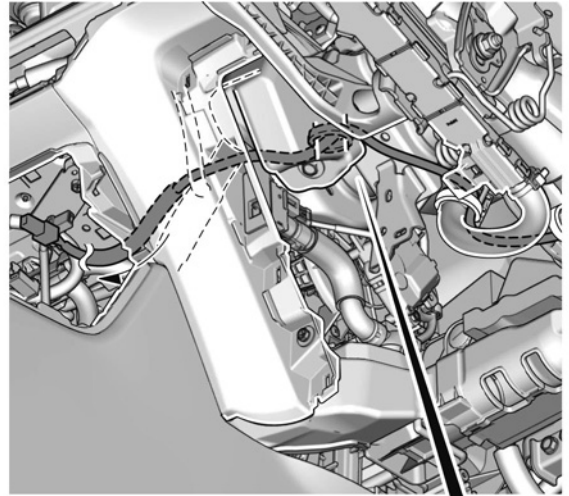
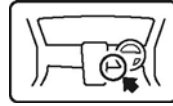


VEHICLE HARNESS

2 WIRE TIES A

QM62839AG

130. Secure the harness.



HARNESS

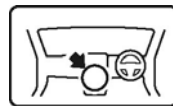
WIRE TIE A

VEHICLE FRAME

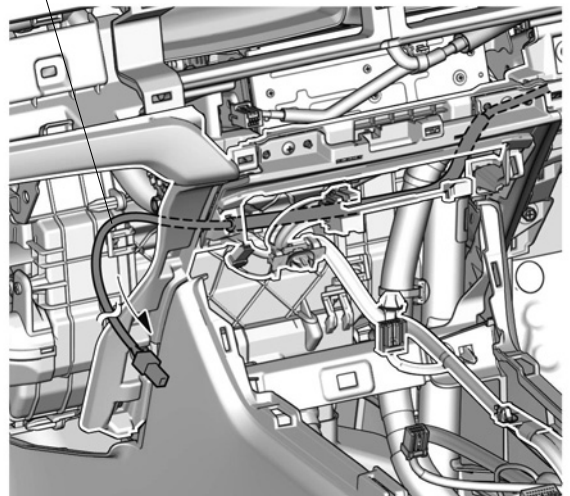
<OPPOSITE SIDE VIEW>

QM62840AG

131. Route the harness.

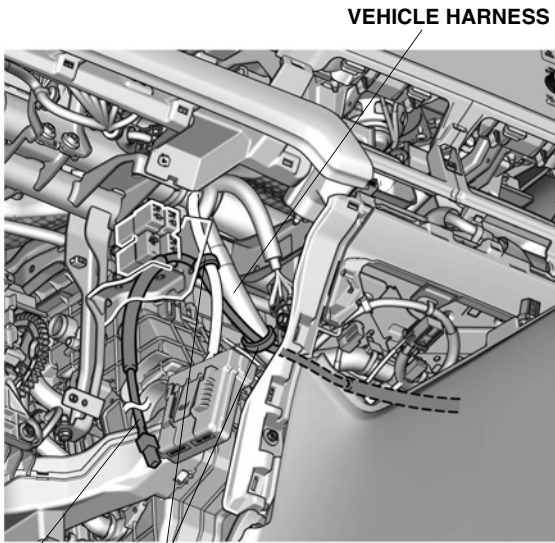
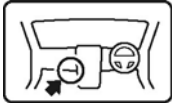


HARNESS



QM62901AG

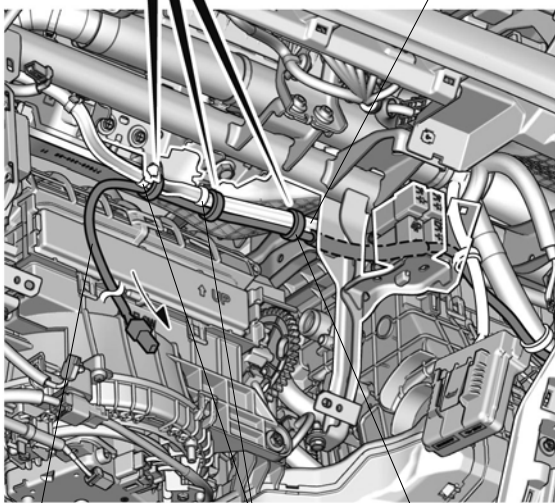
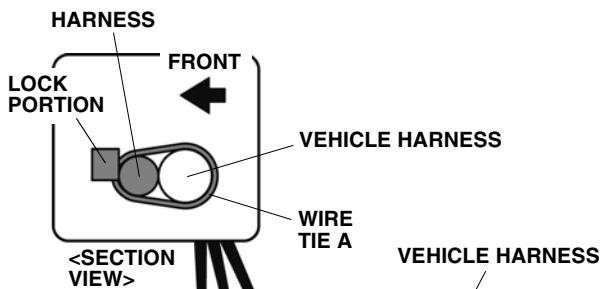
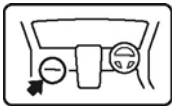
132. Secure the harness.



HARNESS 2 WIRE TIES A

QM62902AG

133. Secure the harness.



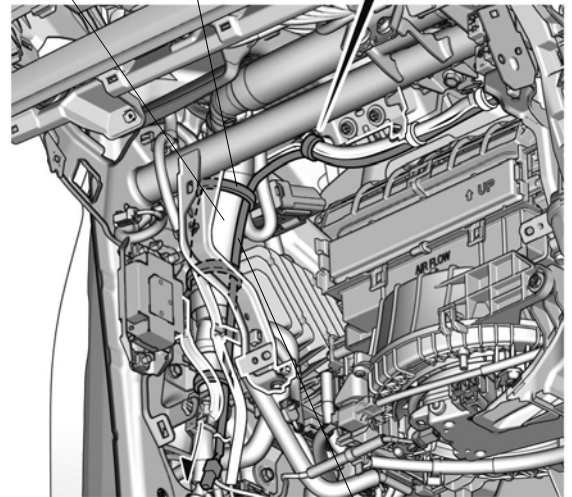
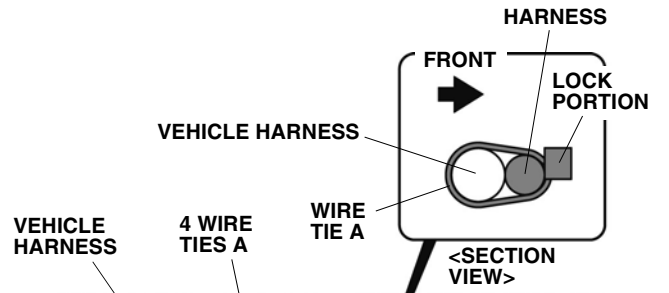
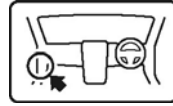
HARNESS

2 VEHICLE CLIPS

3 WIRE TIES A

QM62903AG

134. Secure the harness.

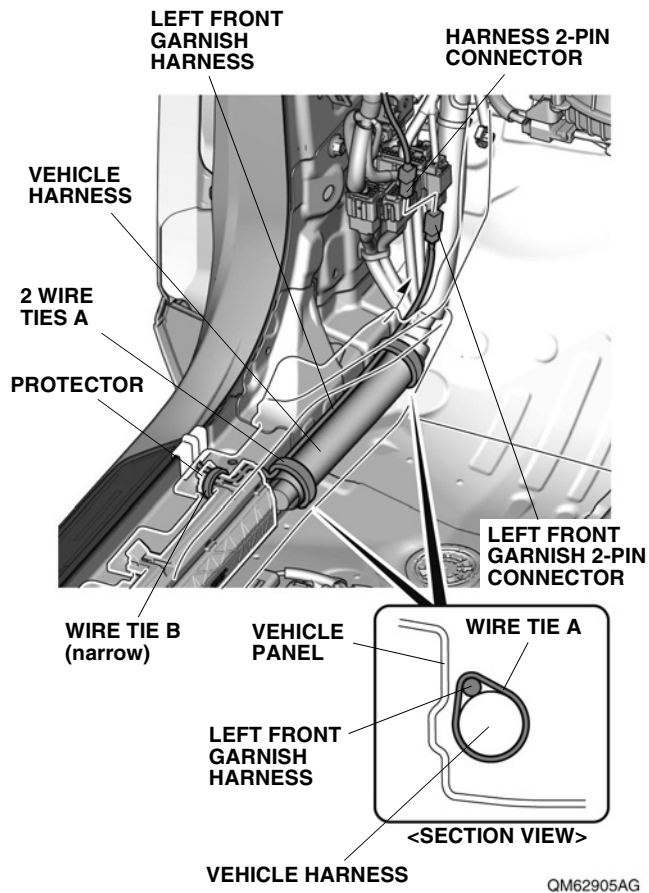
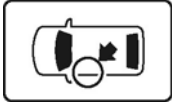


HARNESS

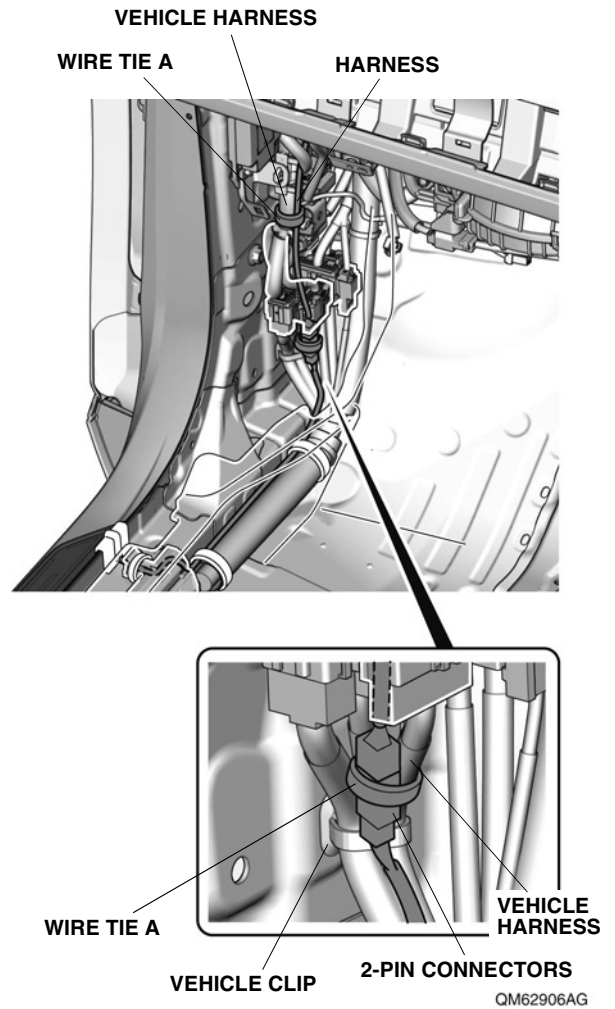
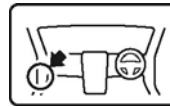
QM62904AG

135. Secure the left front garnish harness.

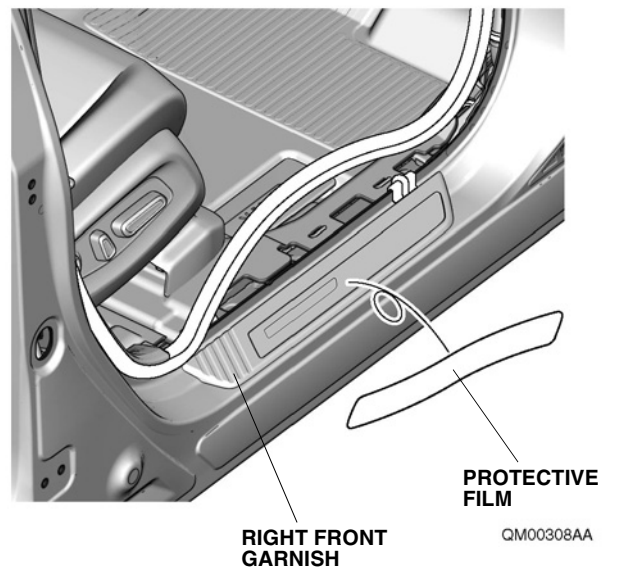
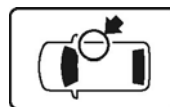
136. Connect the harness connector.



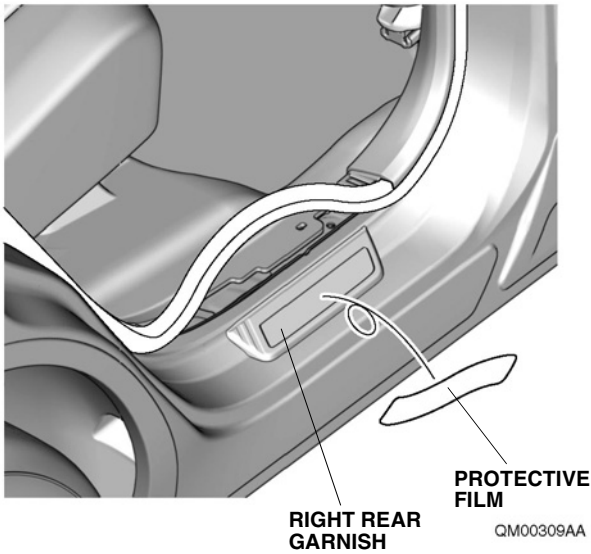
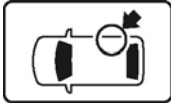
137. Secure the harness and connectors.



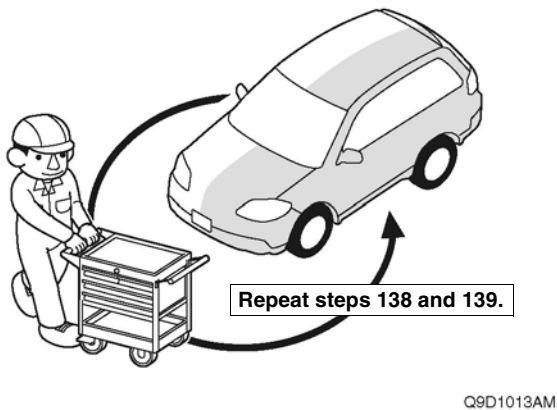
138. Remove the protective film.



139. Remove the protective film.



140. Repeat the same procedures on the other side.

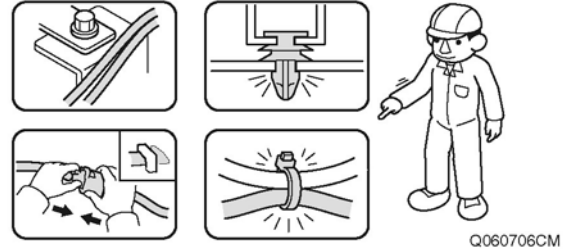


Check After Installation

141. Check that all parts are routed and installed properly.

NOTICE

- Check that the harnesses are not pushed, not pulled and not pinched.
- Check that all clamps and wire ties are installed securely.



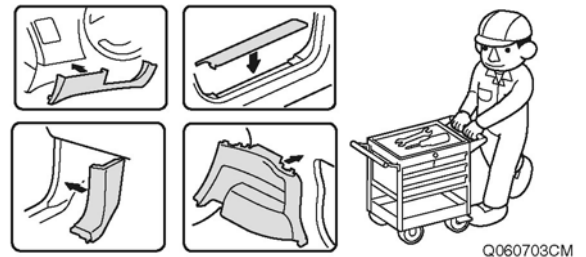
Q060706CM

Reinstalling the All Removed Parts

142. Reinstall all removed parts except for the self-tapping screws removed in steps 10 and 12 (LHD models) or steps 21 and 23 (RHD models) and steering column upper cover.

NOTICE

- Be extremely careful not to damage the vehicle parts, pinch the harnesses.
- Make sure to secure the retaining tabs and clips properly to avoid separation.



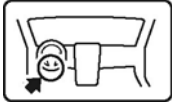
Q060703CM

<Installing the Driver's Knee Airbag>

143. Reinstall the driver's knee airbag.

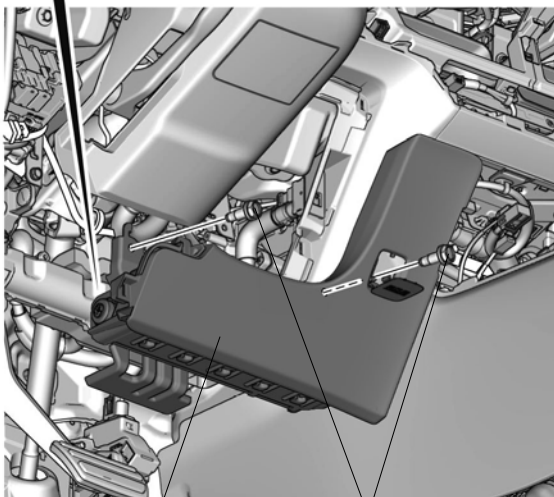
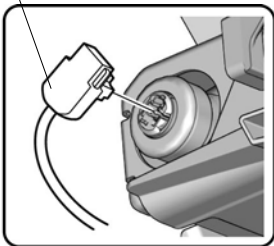
NOTICE

- Make sure to replace with the washer-bolts included in this kit.



<LHD models>

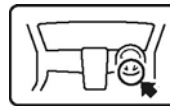
VEHICLE CONNECTOR



DRIVER'S KNEE AIRBAG

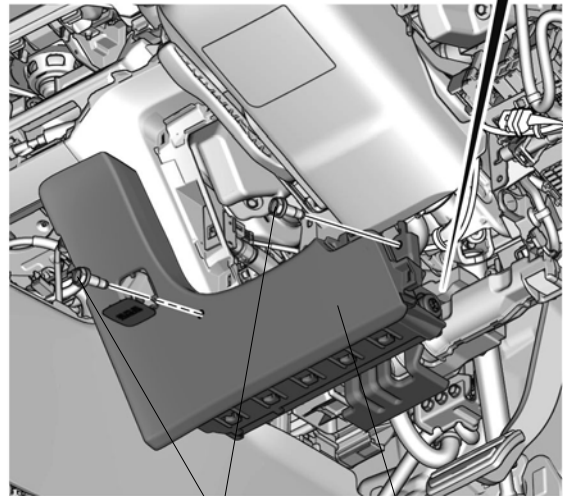
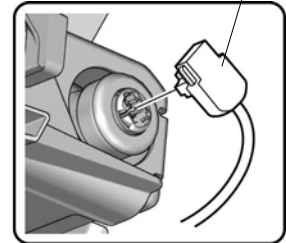
2 WASHER-BOLTS (supplied) QM62719AG

P N·m
6.9-14.4 N·m
(0.7-1.4 kgf·m,
5.1-11 lbf·ft)



<RHD models>

VEHICLE CONNECTOR



2 WASHER-BOLTS (supplied)

DRIVER'S KNEE AIRBAG

QM62907AG

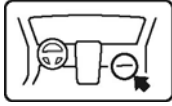
P N·m
6.9-14.4 N·m
(0.7-1.4 kgf·m,
5.1-11 lbf·ft)

<Installing the Passenger's Knee Airbag>

144. Reinstall the passenger's knee airbag.

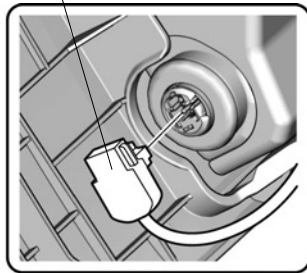
NOTICE

- Make sure to replace with the washer-bolts included in this kit.

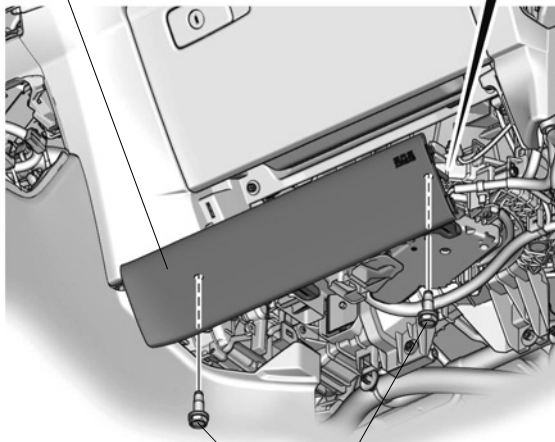


<LHD models>

VEHICLE CONNECTOR



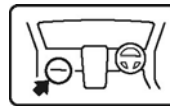
PASSENGER'S KNEE AIRBAG



2 WASHER-BOLTS (supplied)

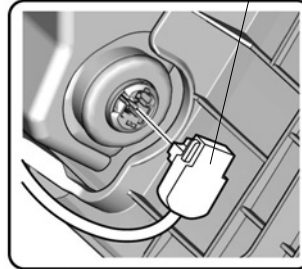
N·m 6.9-14.4 N·m
(0.7-1.4 kgf·m,
5.1-11 lbf·ft)

QM62720AG

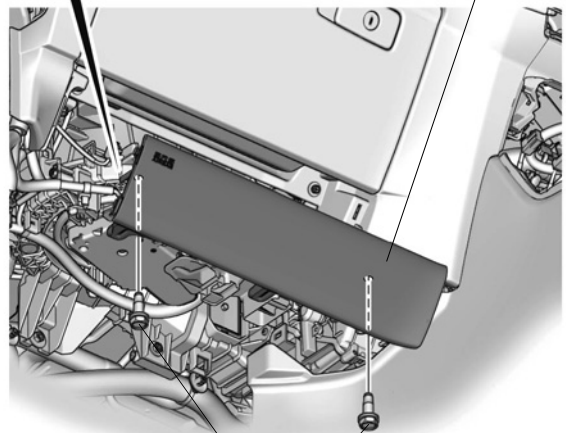


<RHD models>

VEHICLE CONNECTOR



PASSENGER'S KNEE AIRBAG



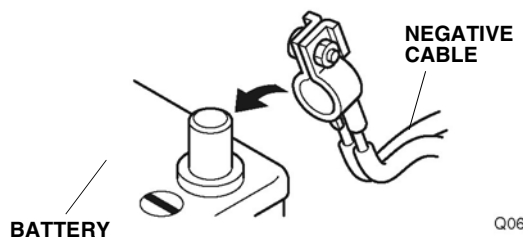
2 WASHER-BOLTS (supplied)

N·m 6.9-14.4 N·m
(0.7-1.4 kgf·m,
5.1-11 lbf·ft)

QM62908AG

Operation Check

145. Reconnect the negative cable to the battery.



BATTERY

Q060702BM

146. Reinstall the self-tapping screws removed in steps 10 and 12 (or steps 21 and 23) and steering column upper cover.
147. Turn the POWER button to ON; the SRS indicator should come on for about 6 seconds and then go off.
148. Check that the front garnishes come on by opening a door.

Vehicle Check

149. Check that the electric accessories and systems operate properly.
150. Press and hold the audio power button for two seconds, or enter anti-theft code for the audio/navigation system.
151. Reset the memory of each equipment and restore the positions of those control knobs.

