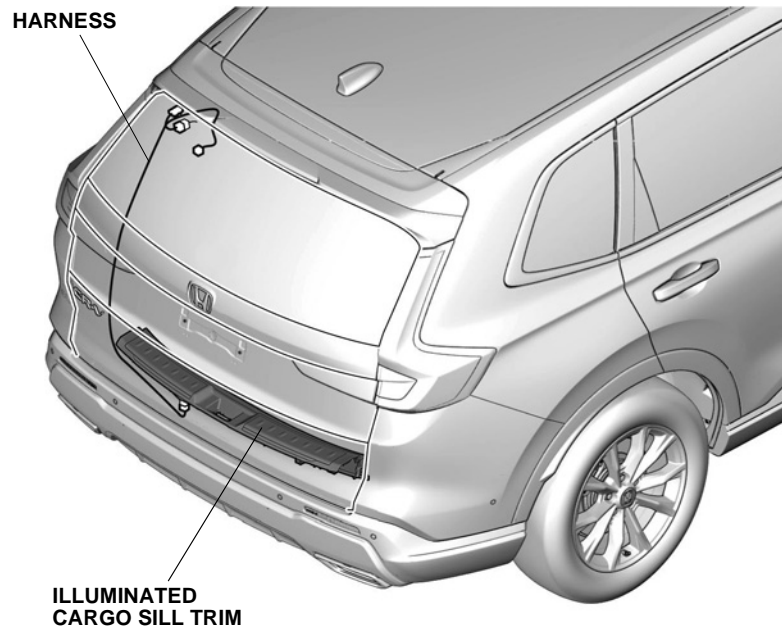


ILLUMINATED CARGO SILL TRIM

CR-V**GENERAL VIEW**

QM63001AN

FOR YOUR SAFETY (Read carefully)**Introduction of Symbol Messages**

- These symbols warn you about the possible hazards and explain how to avoid them. And give you some advices.

⚠ DANGER

You will be killed or seriously hurt if you do not follow the instructions.

⚠ WARNING

You can be killed or seriously hurt if you do not follow the instructions.

⚠ CAUTION

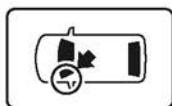
You can be hurt if you do not follow the instructions.

NOTICEGives advice to prevent damage to the product.
Gives helpful information or instructions to be followed in using the product.

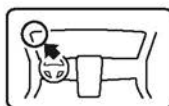
Indicates prohibited actions.

Introduction of Icons

- These icons indicate the working place and the worker's vision.



The place for the vehicle.



The place for the instrument panel.

- These icons indicate the necessary things for your safety and the work.



Wear eye protection.



Wear heavy gloves.



Work with an assistant.



Place the part on a blanket.



Remove any burrs.



Use the touch-up paint and dry.



Keep the parts and give it to the customer.
(Not use)



Press firmly.



Tighten by specified torque.

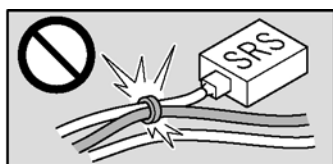


Work perpendicularly.



Clean with the contact cleaner.

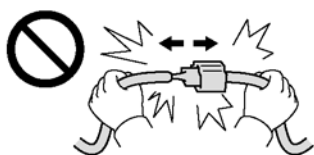
Wire Harness Routing Precaution



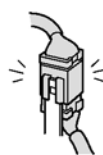
Do not clamp the accessory harness and SRS harness together. (except for instruction cases).



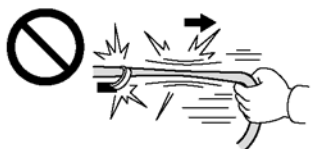
Connect the connectors and terminals securely until they lock.



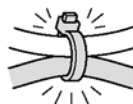
Do not pull the harness to disconnect the connectors.



Reinstall the connectors to the original positions if they are removed.



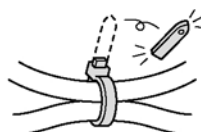
Do not pull the harness strongly.



Secure the accessory harness to the specified position, not to hang down.



Do not pinch the harness with the parts.



Cut off the excess of the wire ties.

Safety: General

- Observe all safety notes and precautions described in the Shop Manual in addition to those described in this Installation Instructions. Be extremely careful for your safety and safety of others particularly.
- Be careful not to damage the vehicle and the parts.
- Be extremely careful to the handling of the retaining tabs and clips particularly.
- Note the locations of the parts before removing them so that they can be reinstalled in their original positions properly.
- The illustrations may differ a little from the actual accessories for the design change of the vehicle.

Safety: For Electric Parts

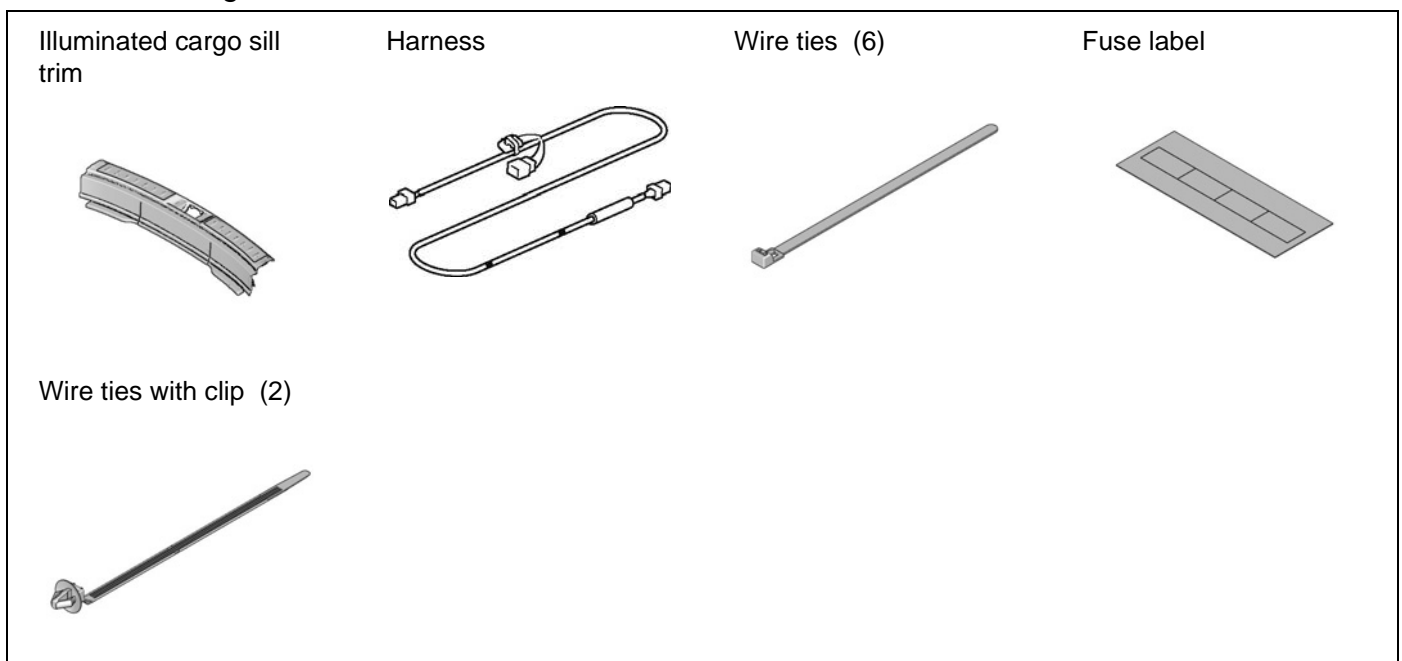
- Do not perform the installation of the accessories with having connected negative cable of the battery.

Safety: For the Accessory

- **Always use the parts and tools specified in the installation instructions.**
- **Do not perform installation work and attaching work at the place where gets the direct rays of the sun or the dust appears.**
- **Always install these accessories at the ambient air temperature 15°C (60°F) or above.**
- **Heat the accessories and bonding surfaces if the ambient air temperature is below 15°C (60°F).**
- **Attach the accessories by pressing it firmly with the palm of your hand. Be careful not to damage the accessories and the vehicle parts.**

PARTS LIST

Illuminated Cargo Sill Trim Kit



TOOLS AND SUPPLIES REQUIRED

- 10 mm Open end wrench
- Phillips screwdriver
- Contact cleaner
- Nippers
- Shop towel
- Handy remover

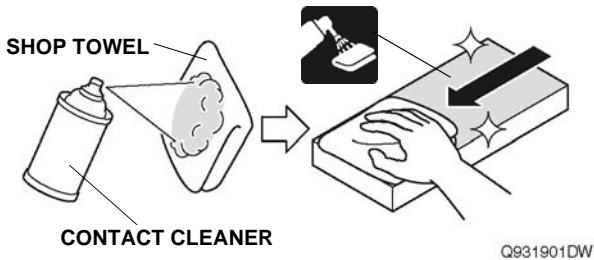
INSTALLATION

How to Use the Contact Cleaner

- Using contact cleaner on a shop towel, thoroughly clean the areas where the accessories will be attached.

NOTICE

- Always use the contact cleaner.
- Do not apply the cleaner to the object of the work directly.
- Allow to dry completely the cleaned areas before attachment work.

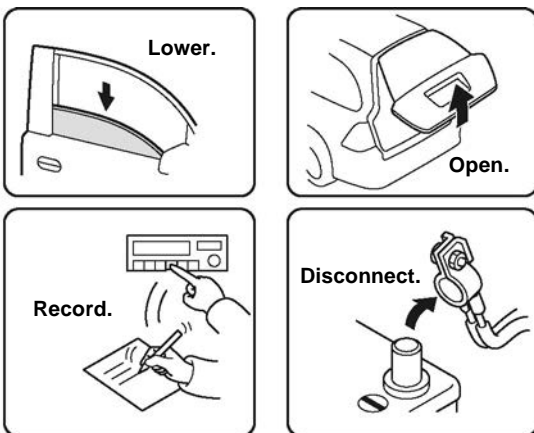


Disconnecting the Battery Cable

- Perform the works before disconnecting the negative cable from the battery as shown below.
- Make sure if you have the anti-theft code for the audio/navigation system. Record some settings of the vehicle if necessary.
- Disconnect the negative cable from the battery.

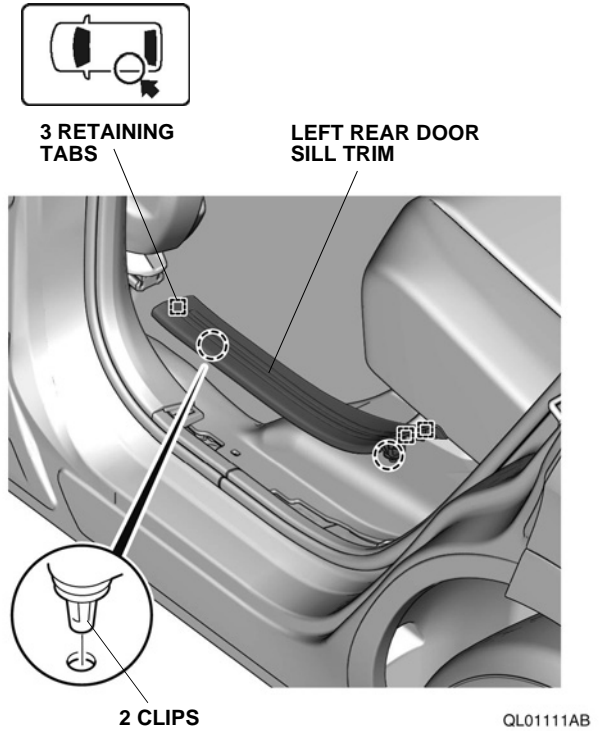
NOTICE

- With the driver's door open, turn the vehicle to the OFF (LOCK) mode, then wait at least 3 minutes before disconnecting the 12 volt negative battery cable.

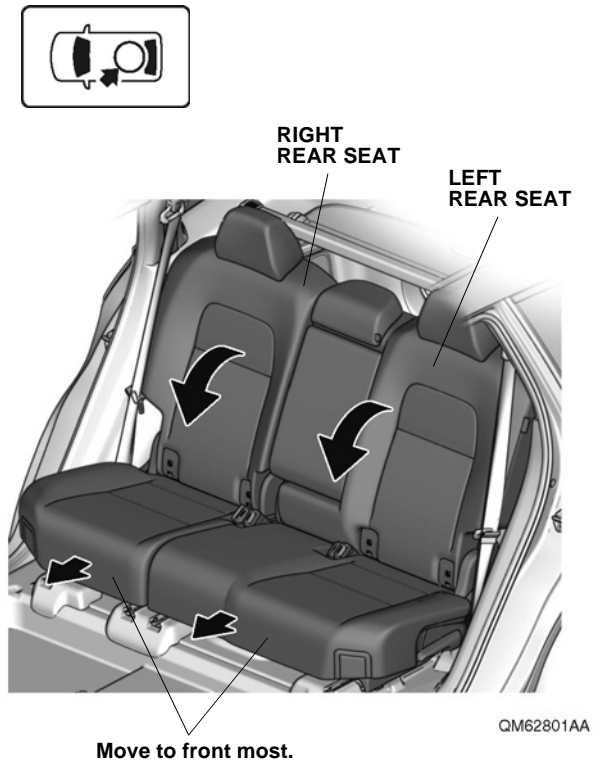


Removing the Vehicle Parts

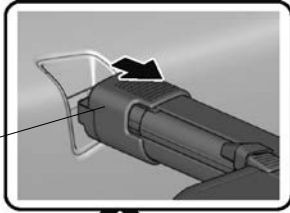
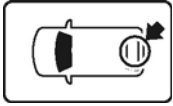
- Remove the left rear door sill trim.



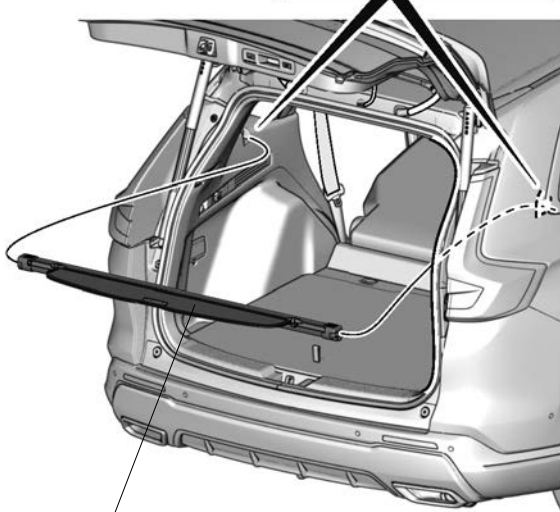
- Fold down the right rear seat and left rear seat.
- Move the right rear seat and left rear seat.



7. Remove the tonneau cover.



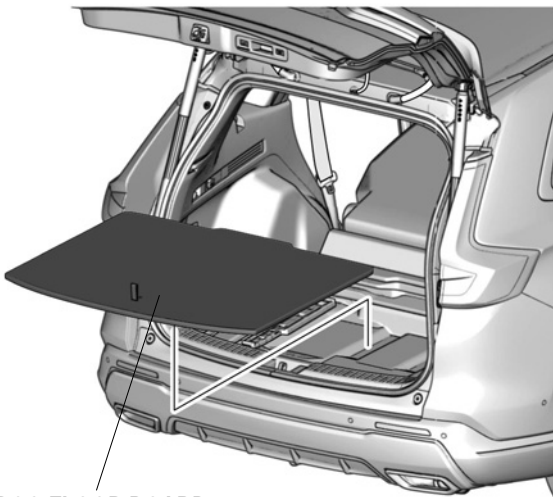
2 TONNEAU COVER HOLDERS (Compress.)



TONNEAU COVER

QM62802AA

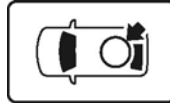
8. Remove the cargo floor board.



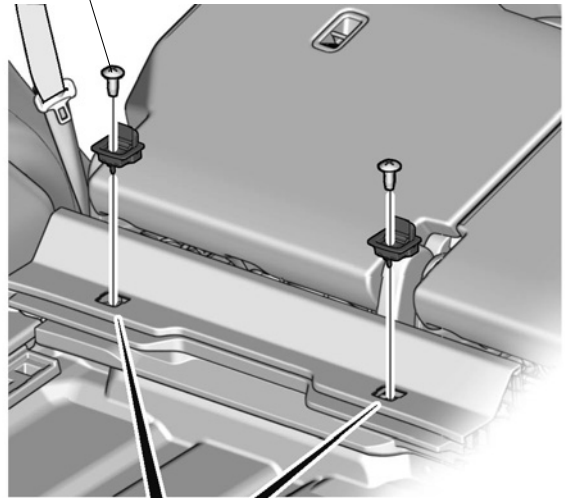
CARGO FLOOR BOARD

QM62803BA

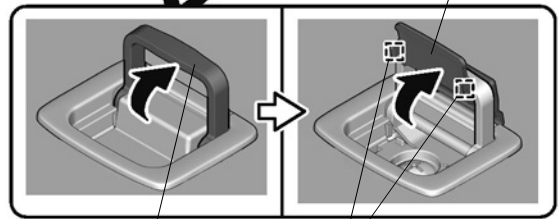
9. Remove the tie-down hooks.



2 SELF-TAPPING SCREWS



2 COVERS

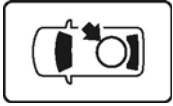


2 TIE-DOWN HOOKS

4 RETAINING TABS

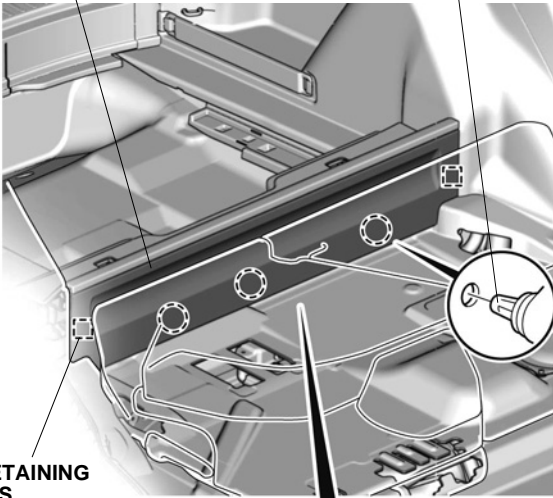
QM62804AA

10. Release the floor carpet cover.

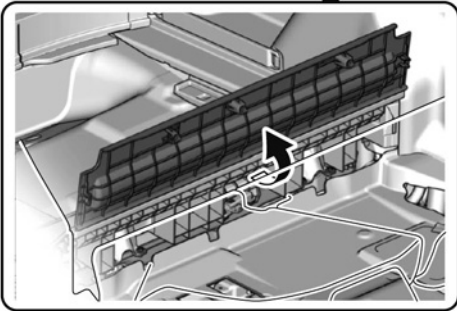


FLOOR CARPET COVER

3 CLIPS

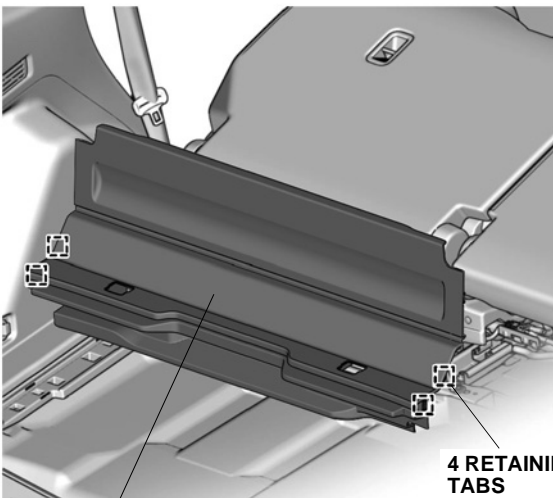
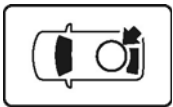


2 RETAINING TABS



QM62805BA

11. Remove the floor carpet cover.

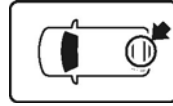


4 RETAINING TABS

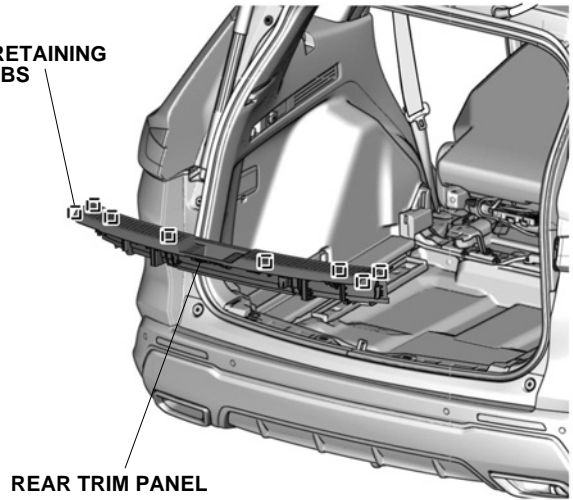
FLOOR CARPET COVER

QM62806AA

12. Remove the rear trim panel.



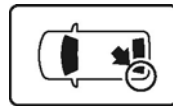
8 RETAINING TABS



REAR TRIM PANEL

QM62807BA

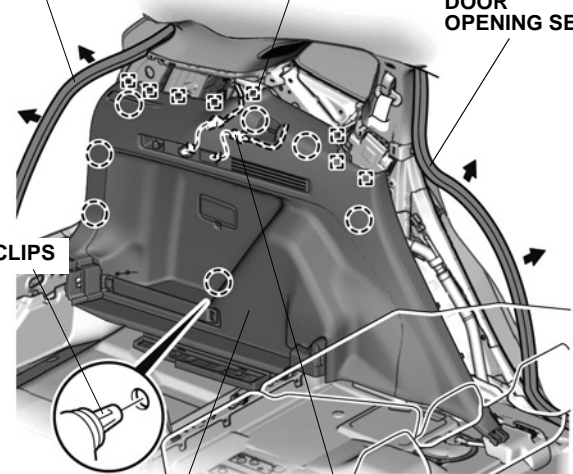
13. Remove the left rear side trim panel.



WEATHERSTRIP

8 RETAINING TABS

DOOR OPENING SEAL



7 CLIPS

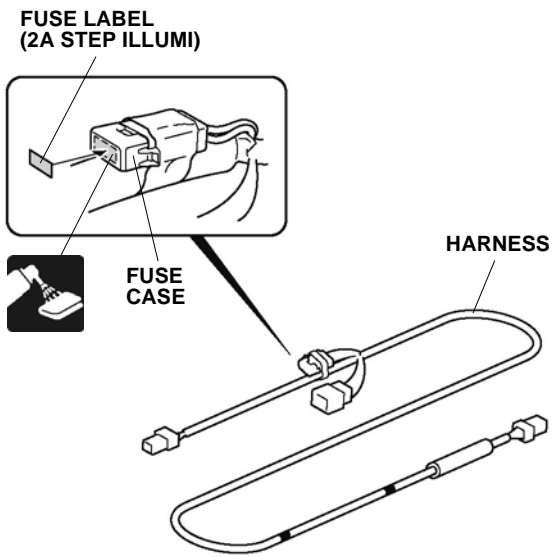
LEFT REAR SIDE TRIM PANEL

VEHICLE CONNECTORS

QM62808BA

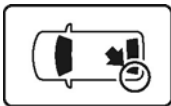
Routing the Harness

14. Attach the fuse label.



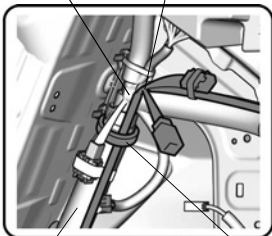
QL01209AG

15. Secure the harness.



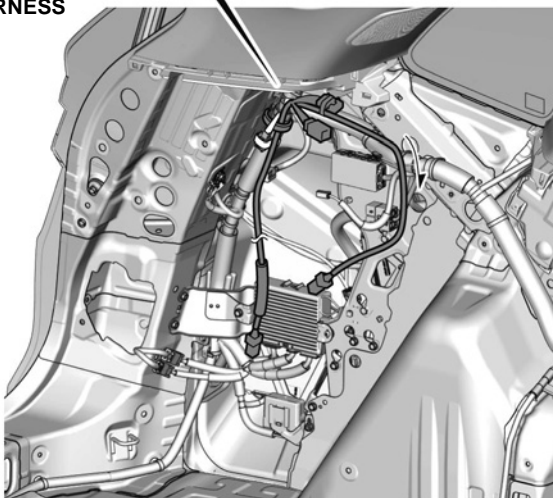
HARNESS BRANCH SECTION

VEHICLE HARNESS BRANCH SECTION



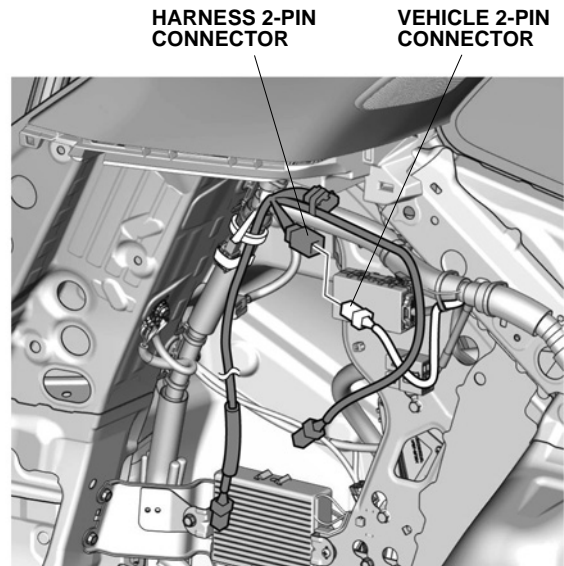
VEHICLE HARNESS

WIRE TIE



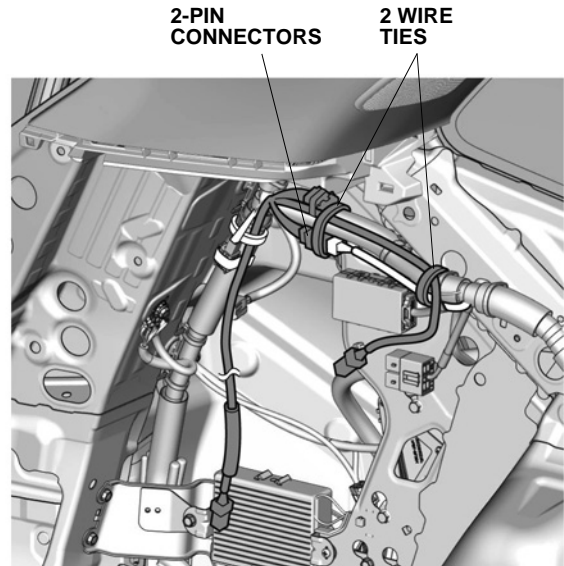
QM63002AN

16. Connect the vehicle connector.



QM63003AN

17. Secure the harness and connectors.

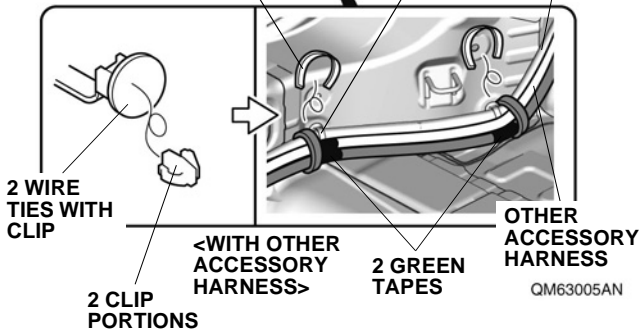
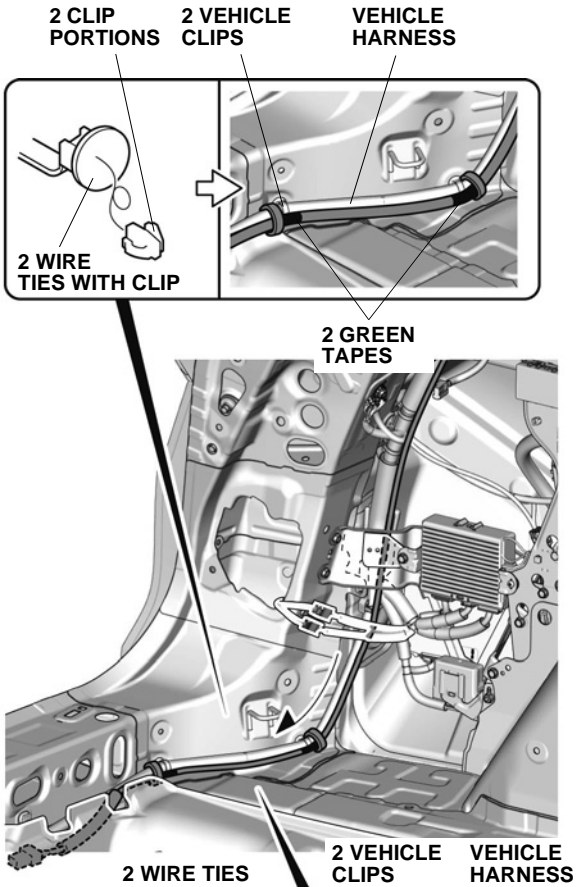


QM63004AN

18. Secure the harness.

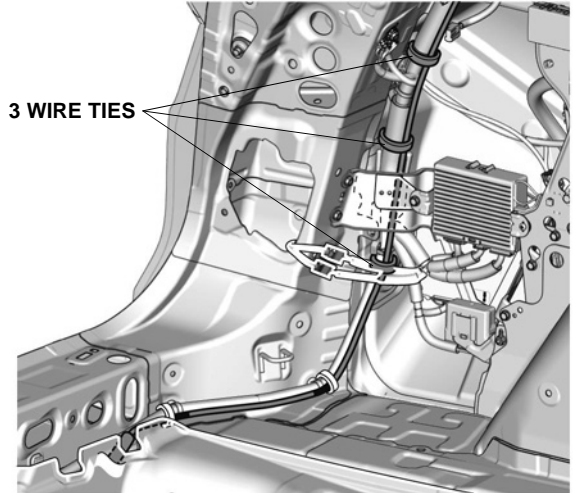
NOTICE

- Be careful not to damage the harness.



QM63005AN

19. Secure the harness.

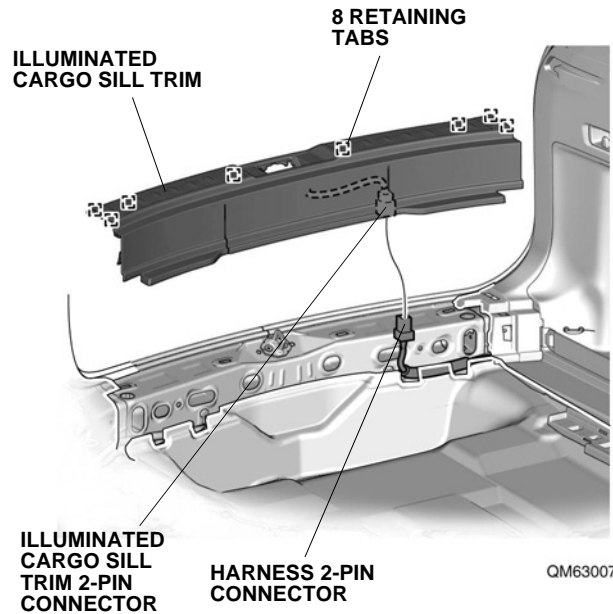
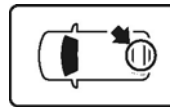


QM63006AN

20. Reinstall the left rear side trim panel.

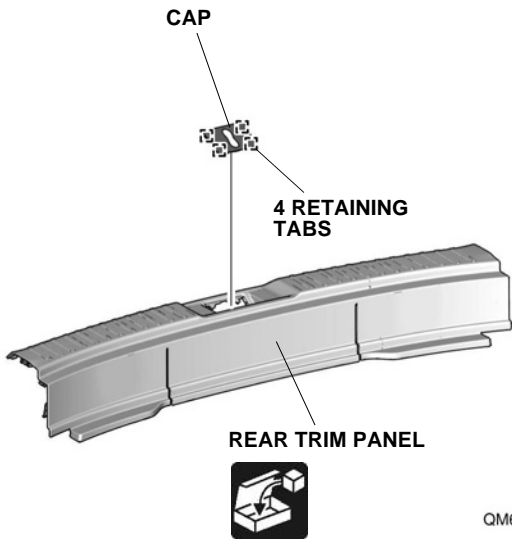
Installing the Illuminated Cargo Sill Trim

21. Connect the harness connector.
22. Install the illuminated cargo sill trim.



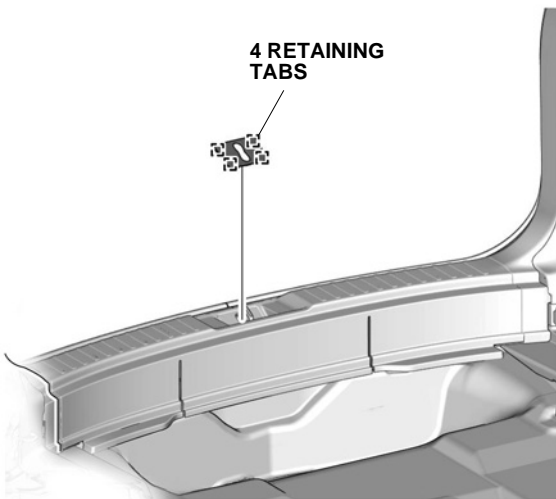
QM63007BN

23. Remove the cap.



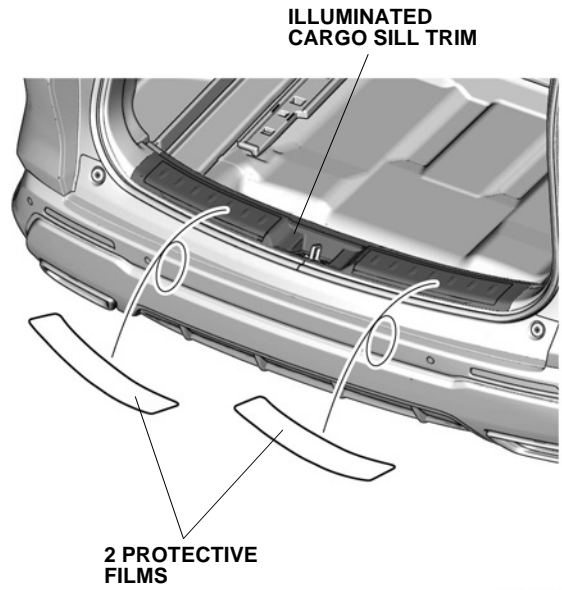
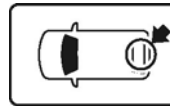
QM62101AG

24. Install the cap.



QM63008BN

25. Remove the protective films.



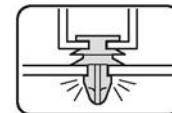
QN30601AN

Check After Installation

26. Check that all parts are routed and installed properly.

NOTICE

- Check that the harnesses are not pushed, not pulled and not pinched.
- Check that all clamps and wire ties are installed securely.



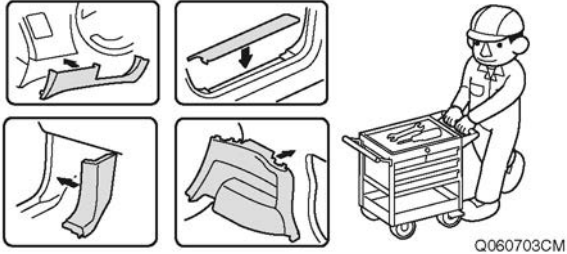
Q060706CM

Reinstalling the All Removed Parts

27. Reinstall all removed parts.

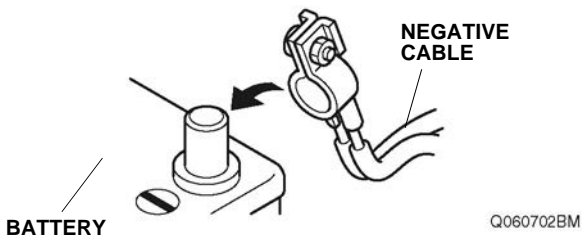
NOTICE

- Be extremely careful not to damage the vehicle parts, pinch the harnesses.
- Make sure to secure the retaining tabs and clips properly to avoid separation.



Operation Check

28. Reconnect the negative cable to the battery.



29. Check that the illuminated cargo sill trim comes on by opening a tailgate.

Vehicle Check

30. Check that the electric accessories and systems operate properly.
31. Press and hold the audio power button for two seconds, or enter anti-theft code for the audio/navigation system.
32. Reset the memory of each equipment and restore the positions of those control knobs.

