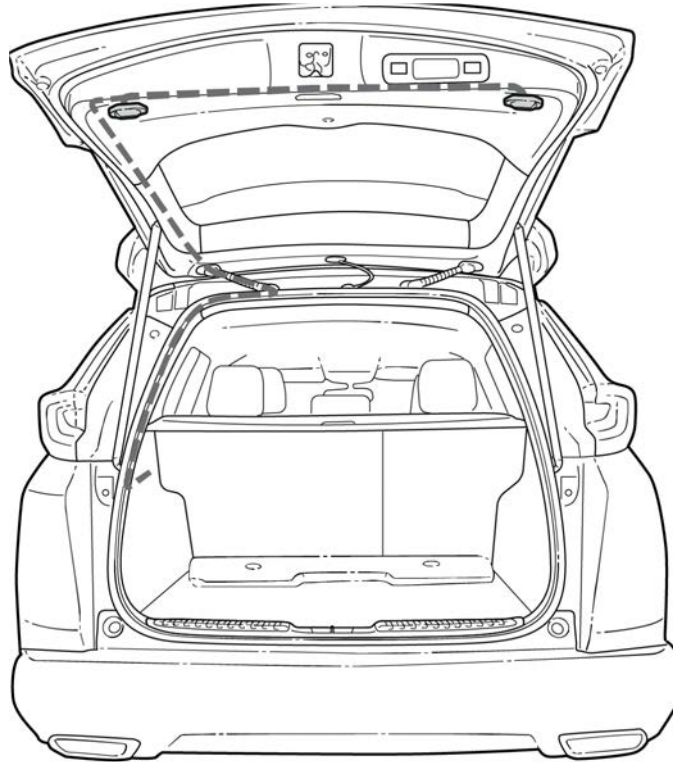


LED TAILGATE ILLUMINATION

CR-V PHEV & FHEV

GENERAL VIEW



SAFETY INFORMATION (READ CAREFULLY)

Introduction of Symbol Messages

- These symbols warn you about the possible hazards and explain how to avoid them. They are also provided to advise you.

⚠ DANGER

You will be killed or seriously hurt if you do not follow the instructions.

⚠ WARNING

You may be killed or seriously hurt if you do not follow the instructions.

⚠ CAUTION

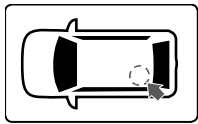
You may be hurt if you do not follow the instructions.

NOTICEGives advice to prevent damage to the product.
Gives helpful information or instructions to be followed in using the product.

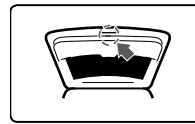
Indicates prohibited actions.

Introduction of Icons

- These icons indicate the working place and worker's view.



Location on vehicle chassis or side.



Location on vehicle tailgate

- These icons indicate the necessary actions that need to be taken to ensure your safety and the success of the work.



Wear eye protection.



Tighten by the specified torque.



Use the touch-up paint and dry.



Work with an assistant.



Clean with the contact cleaner.



Press firmly.



Remove any burrs.



Wear heavy gloves.



Work perpendicularly.



Keep the part and give it to the customer (do not use).



Place the part on a blanket.

- These icons provide information or indicate actions that need to be taken during installation.



Position/location



Left & right side of the vehicle part



Positive connection battery terminal lug



Movement



Left



Negative connection battery terminal lug



Connect



Right



Optional/option



Disconnect



See workshop manual



Vehicle part / wiring



See future information



Vehicle lamp



Seats fold down

- These icons indicate wire colours. According to ISO DIN 47100.

BK

black

WH

white

GY

grey

GN

green

RD

red

BU

blue

YE

yellow

BN

brown

VT

purple

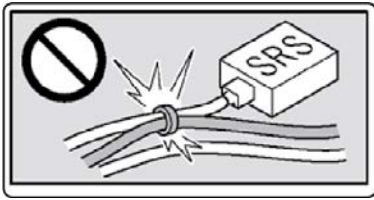
OG

orange

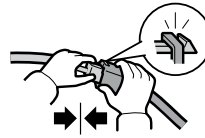
PK

pink

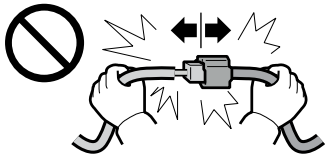
Wire Harness Routing Precaution



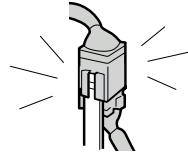
Do not clamp the accessory harness and SRS harness together. (except for instruction cases)



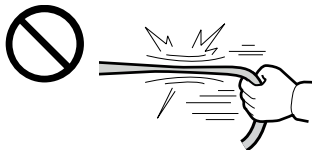
Connect the connectors and terminals securely until they lock.



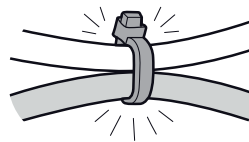
Do not pull on the harness to disconnect the connectors.



Reinstall the connectors to the original positions if they are removed.



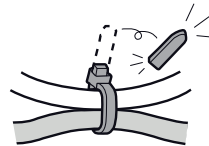
Do not pull the harness strongly.



Secure the harness to the specified position so that it does not hang down.



Do not pinch the harness with the parts.



Cut the excess off the cable tie.

Safety: General

- Follow all safety information and precautions described in the workshop manual in addition to those described in these installation instructions. Most importantly, take extreme care to ensure your own safety and the safety of others.
- Be careful not to damage the vehicle and the parts.
- Be extremely careful when you handle the retaining tabs and clips.
- Note the locations of the parts before you remove them so that they can be reinstalled in their original positions.
- The illustrations may differ a little from the actual accessories for the design change of the vehicle.

Safety: For Electric Parts

- Do not install the accessories if the negative cable of the battery is connected.

Safety: For the Accessories

- Always use the parts and tools specified in the installation instructions.
- Do not carry out any installation or attachment work in an area that receives direct sunlight or in an area where dust is present.
- Always install these accessories at the ambient air temperature 15°C (60°F) or above.
- Heat the accessories and bonding surfaces if the ambient air temperature is below 15°C (60°F).
- Attach the accessories by pressing them firmly with the palm of your hand. Be careful not to damage the accessories and the vehicle parts.
- Carefully place the double-sided adhesive tape in the proper position. Once the double-sided adhesive tape touches the surface, do not try to detach and relocate the tape. If you attempt to move the tape after it comes into contact with the surface, you will damage the part before the adhesive can be detached.
- Do not wash the vehicle for 24 hours to allow the adhesive to cure.

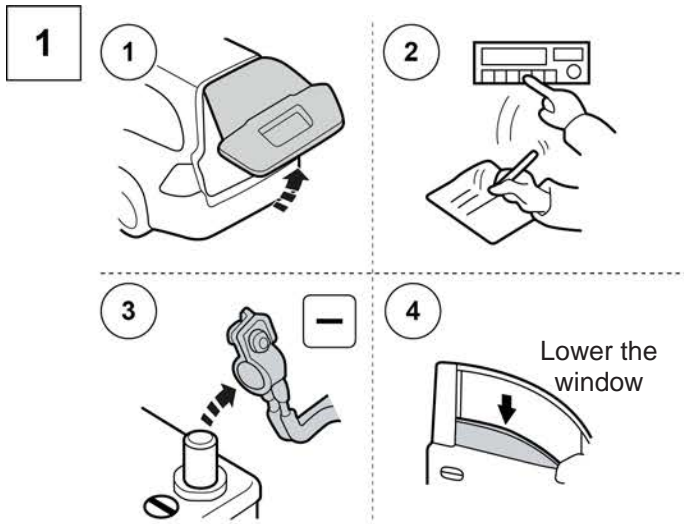
PARTS LIST

LED Tailgate Illumination

A Illumination Harness 			
B LED Lamp x2 	C Lamp Cover x2 	D Rubber Seal x2 	E Cable Tie 200 mm x16
F M4 Nyloc Nut x4 	G M4 x16mm Pan Head Bolt x 4 	H M4 Flat Washer x4 	I Foam Type x4
		J Joint Connector x2 	
TEMPLATES			
K 08E18-TEA-G000-02 CIVIC	L 08E18-TLA-G000-02 CR-V	M 08E18-T7A-G000-02 HR-V	N 08E18-TZA-G000-02 JAZZ
		O 08E18-3A0-G000-02 CR-V PHEV & FHEV	

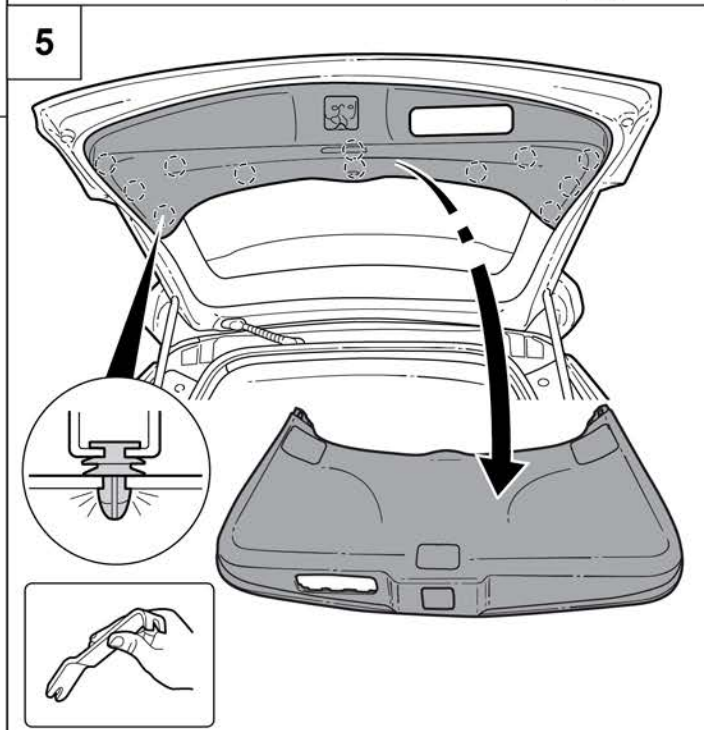
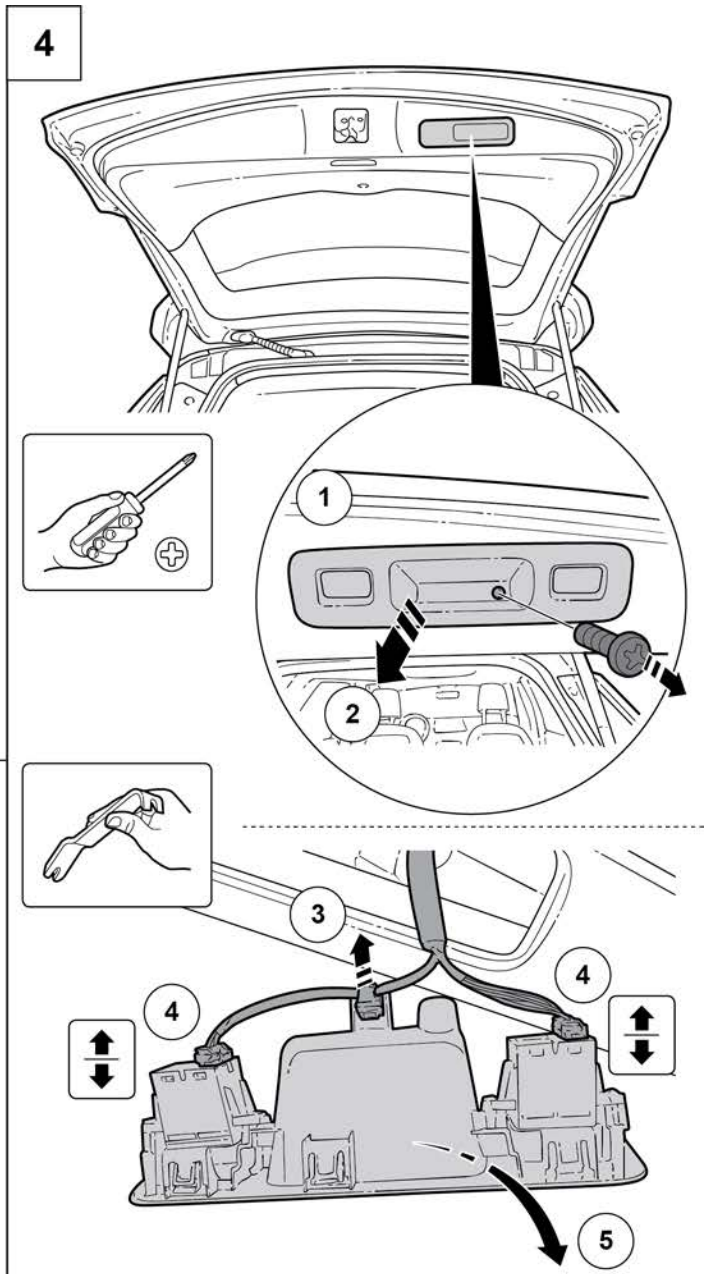
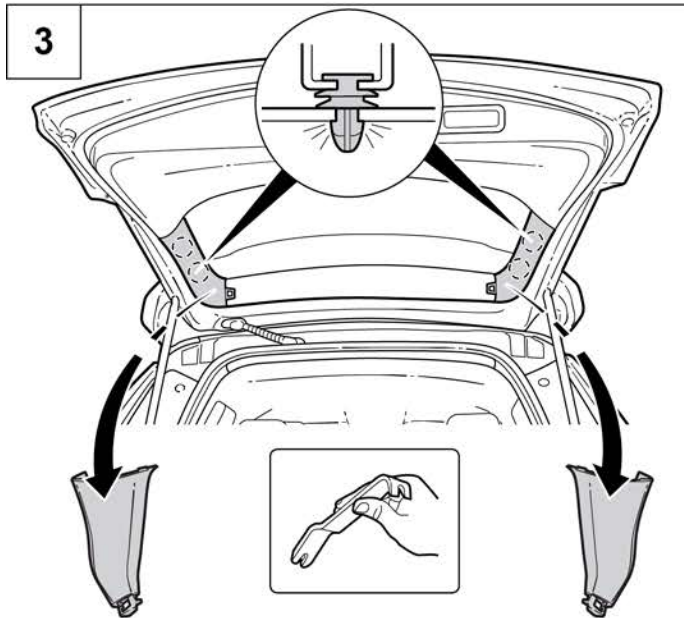
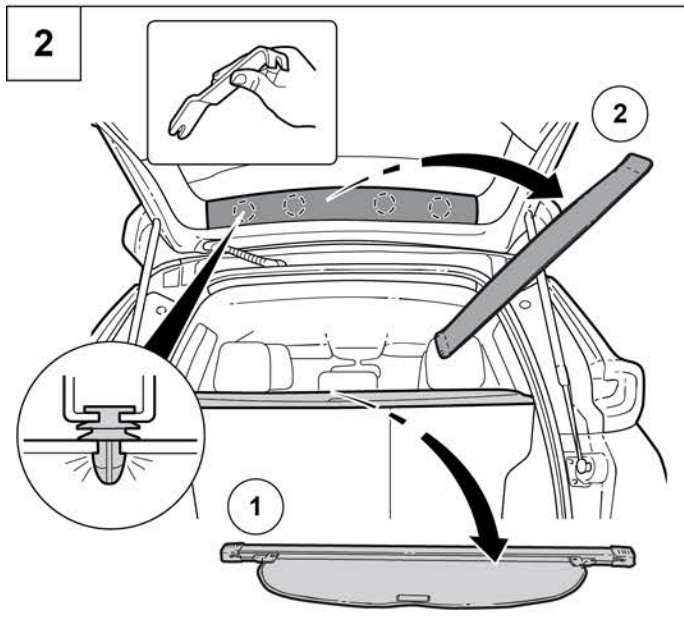
Tools and Supplies Required

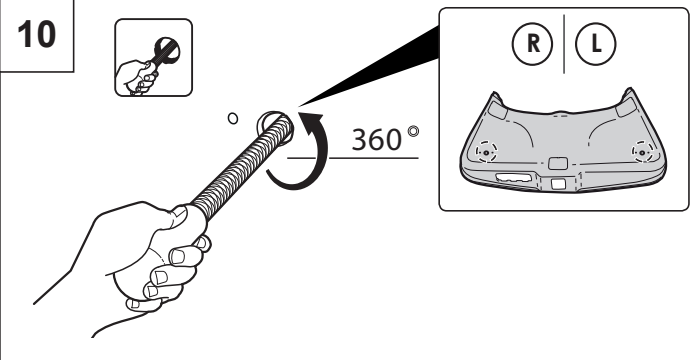
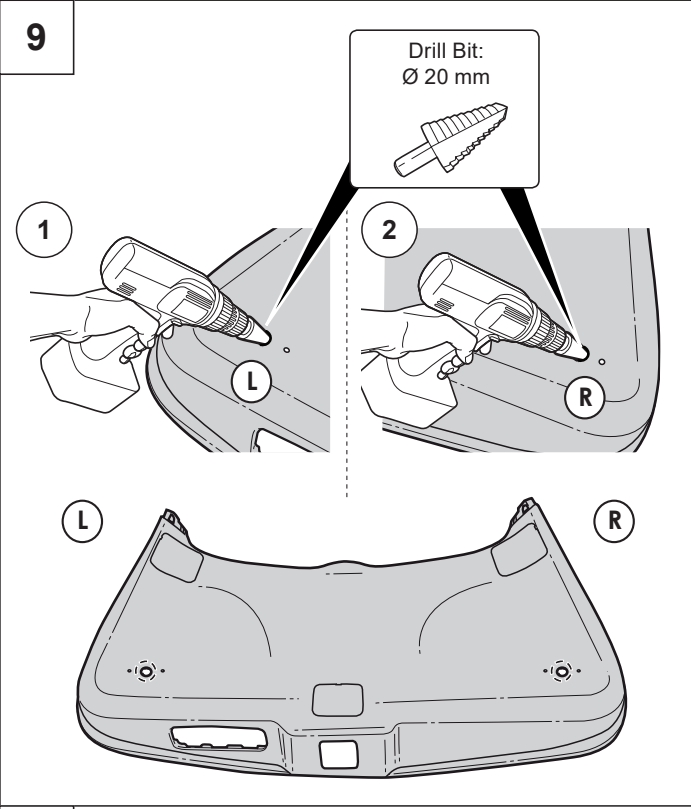
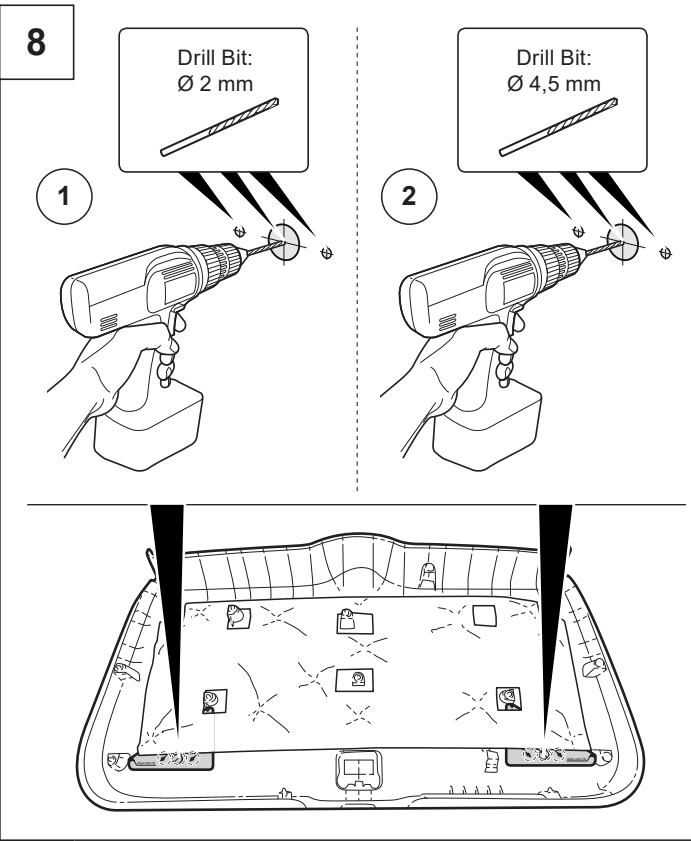
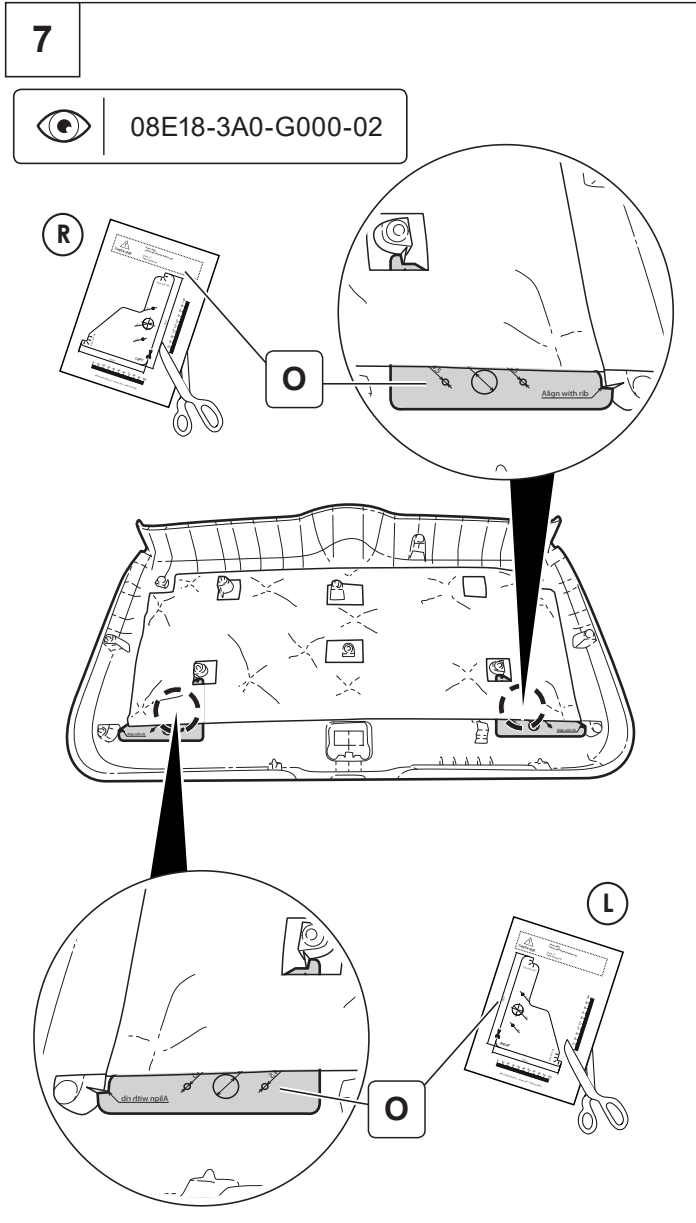
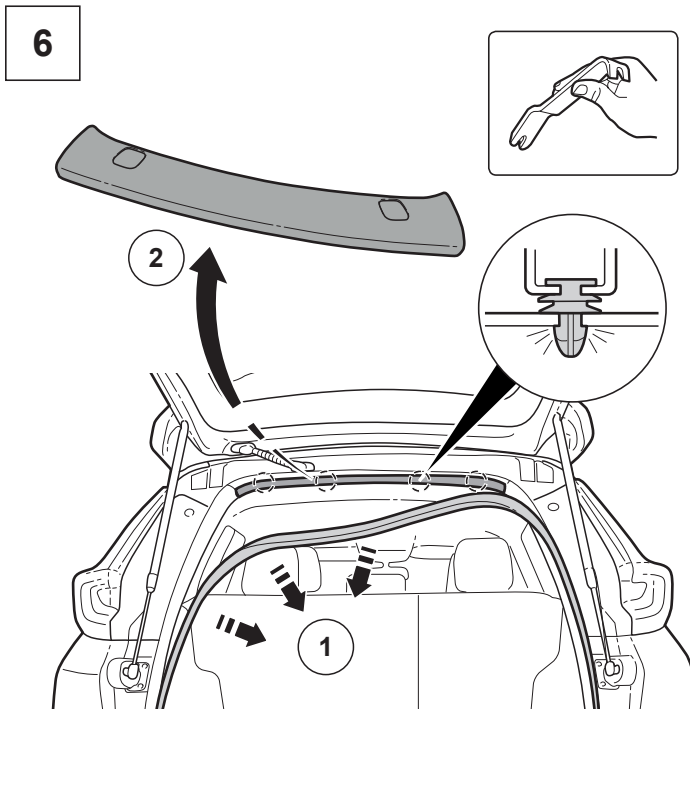
Philips screwdriver 	Trim removal tool 	Ratchet & Socket: 10 mm & 19 mm 	Wire/Side Cutters 	Scissors 	Guide Wire
Hole File 	Drill Bit Ø 20 mm 	Drill Bit: Ø 2 mm & Ø 4 mm 	Drill 	Tape 	Jeweller's Flat Head Screw Driver
				Bull Nose Pliers 	

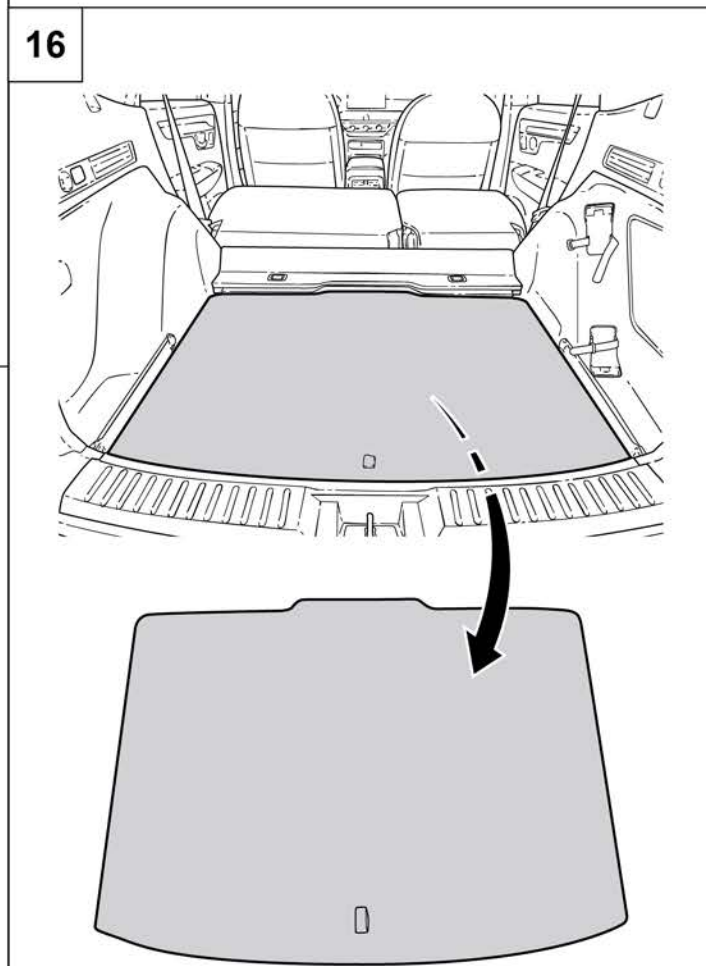
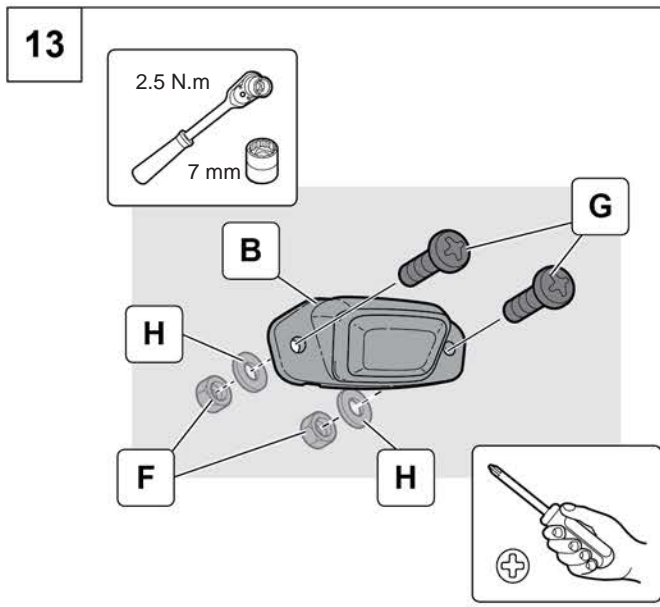
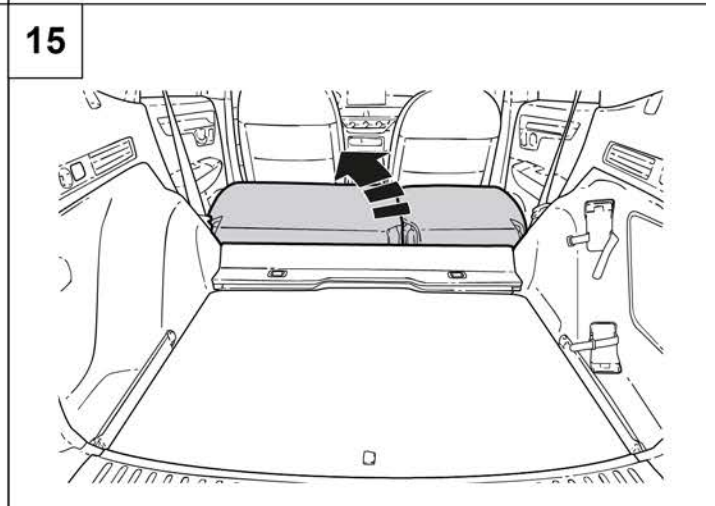
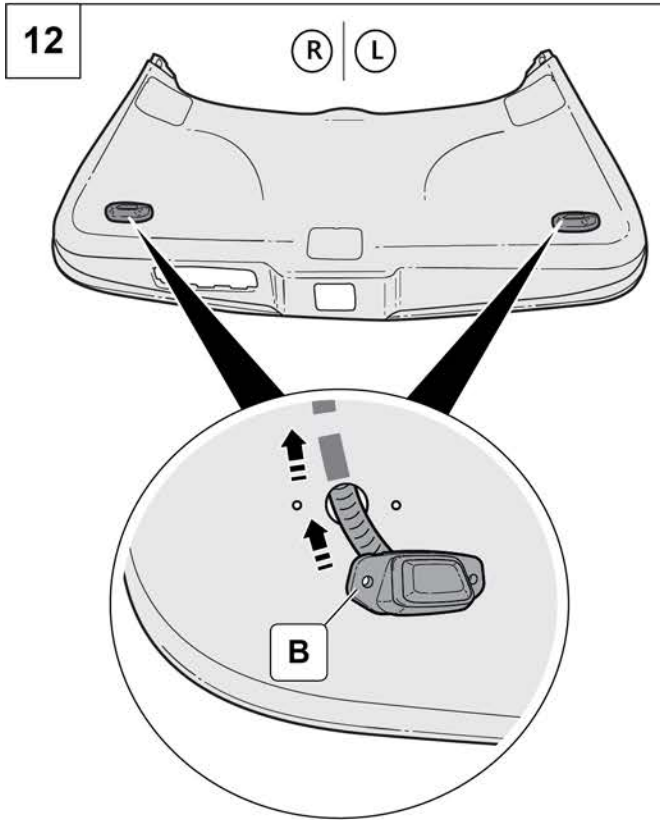
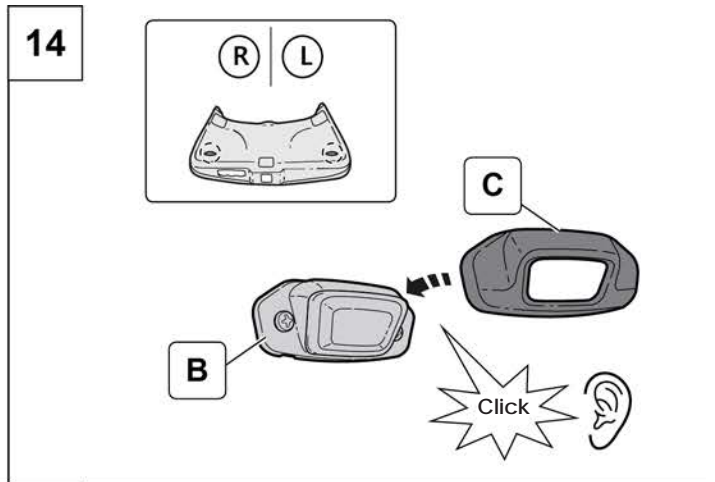
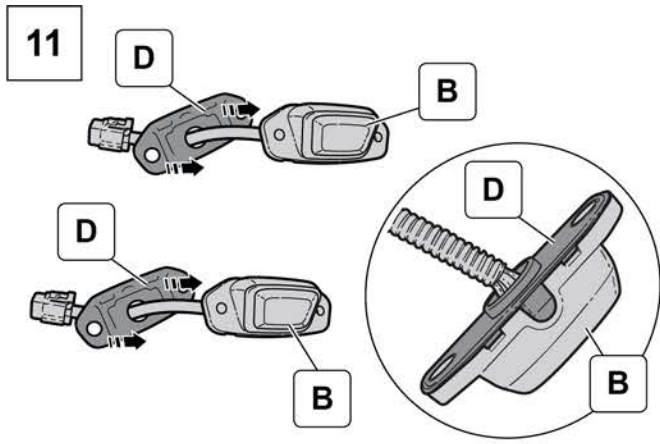


NOTICE

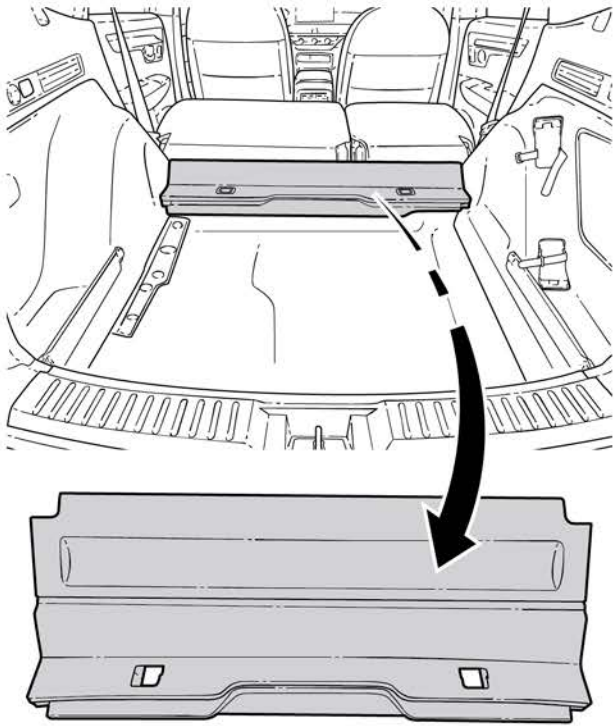
- With the driver's door open, turn the vehicle to the OFF (LOCK) mode, then wait at least 3 minutes before disconnecting the 12 volt negative battery cable.



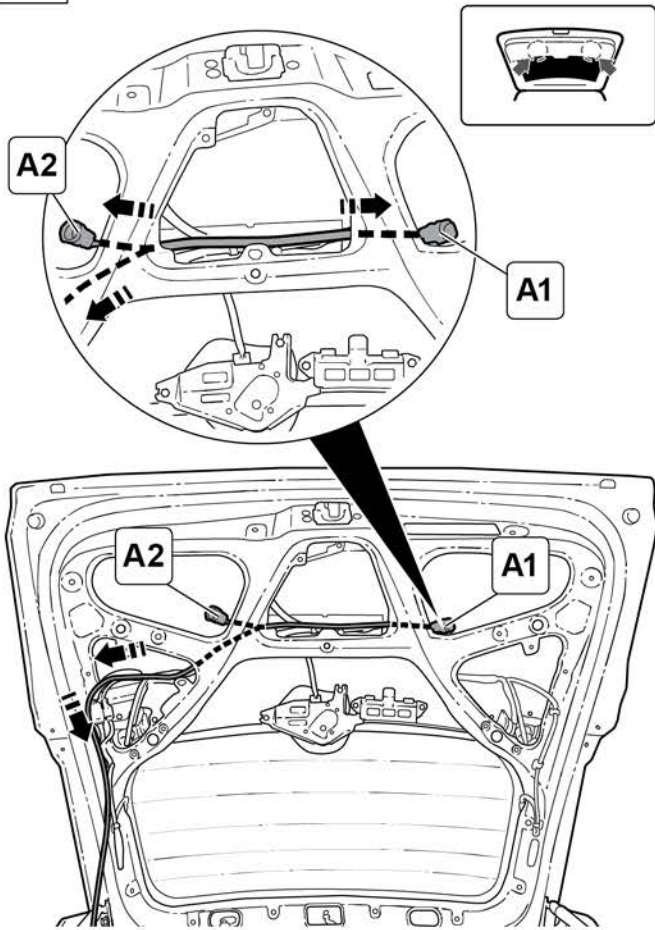




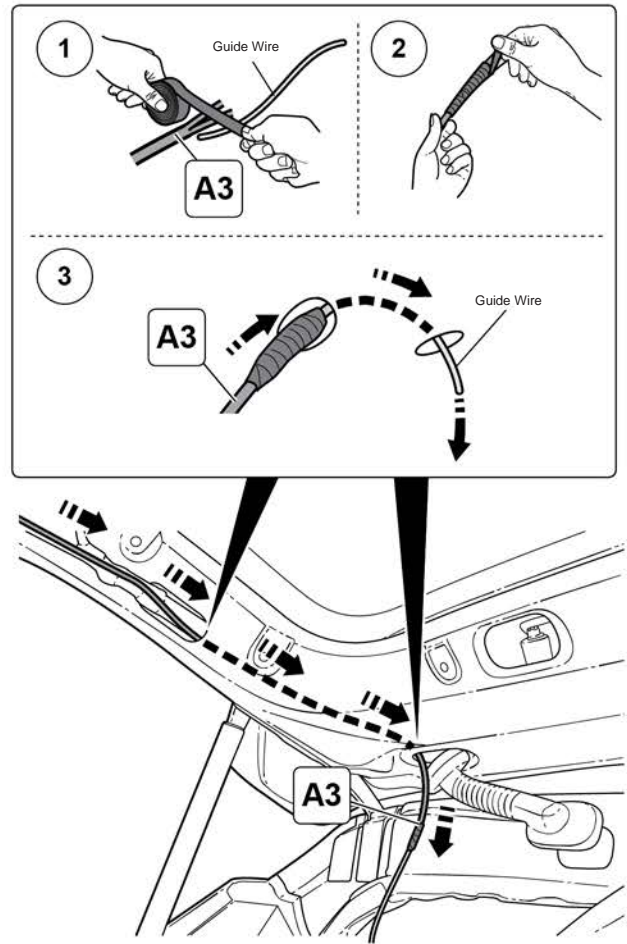
17



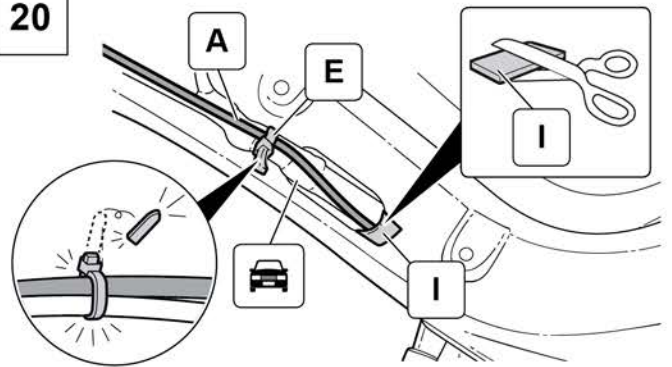
18



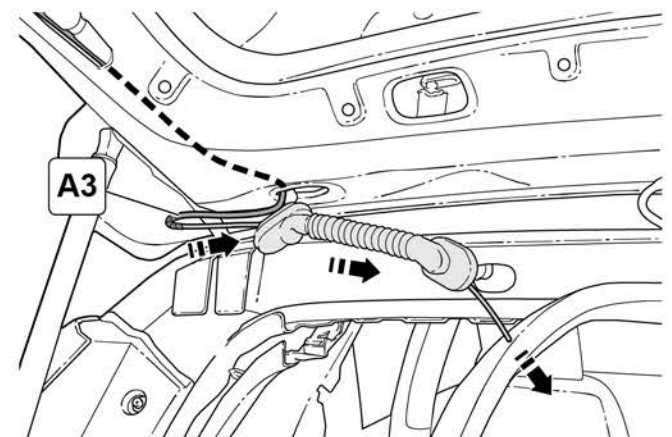
19



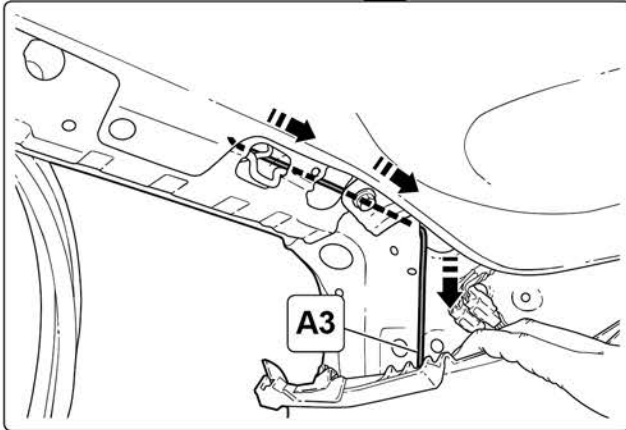
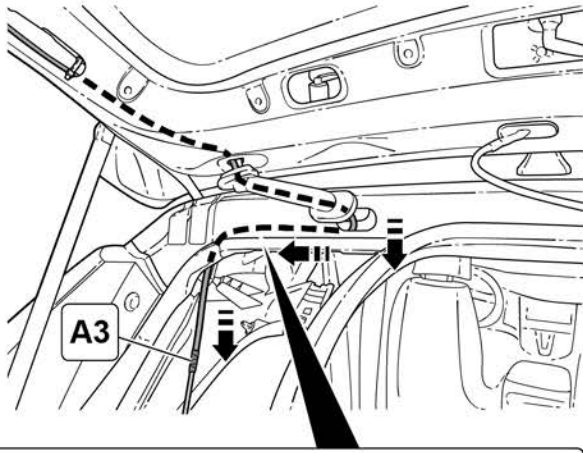
20



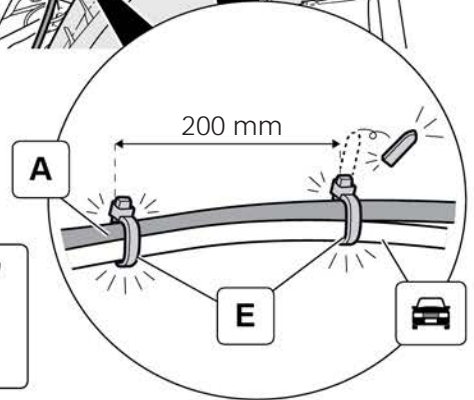
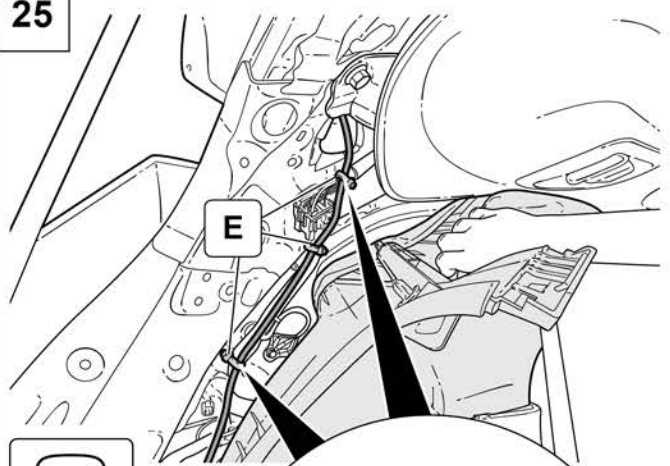
21



22

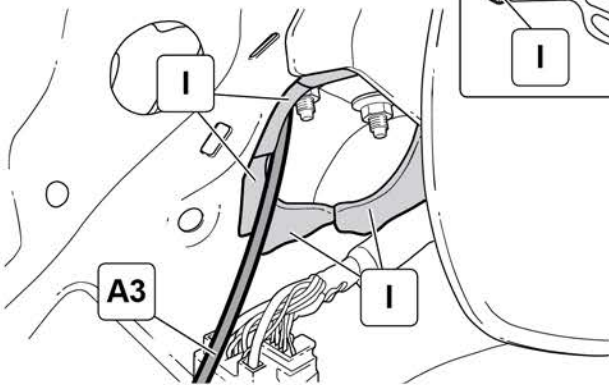
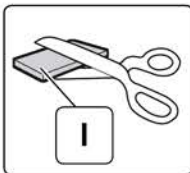


25

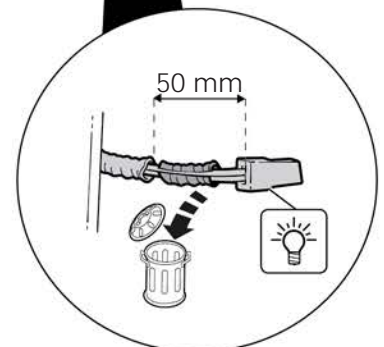
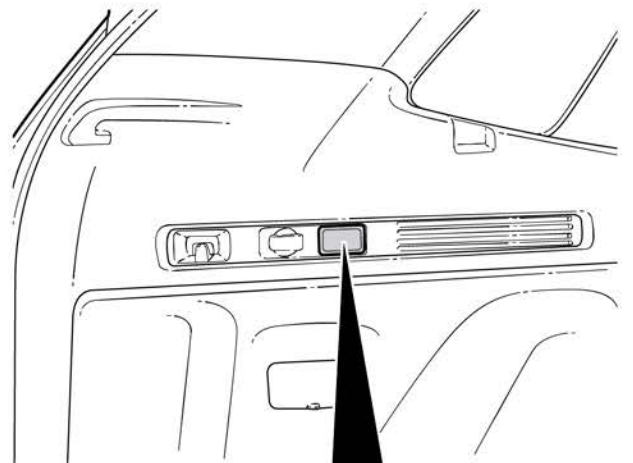


23

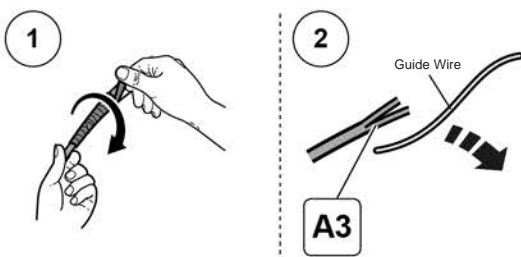
Protect the harness from the sharp edges with foam tape. Use scissors to cut foam tape into smaller pieces and apply them around the sharp-edged hole.



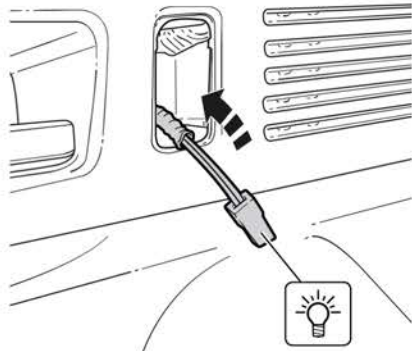
26



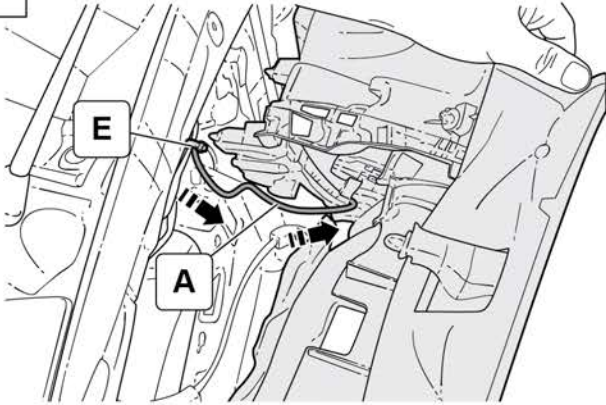
24



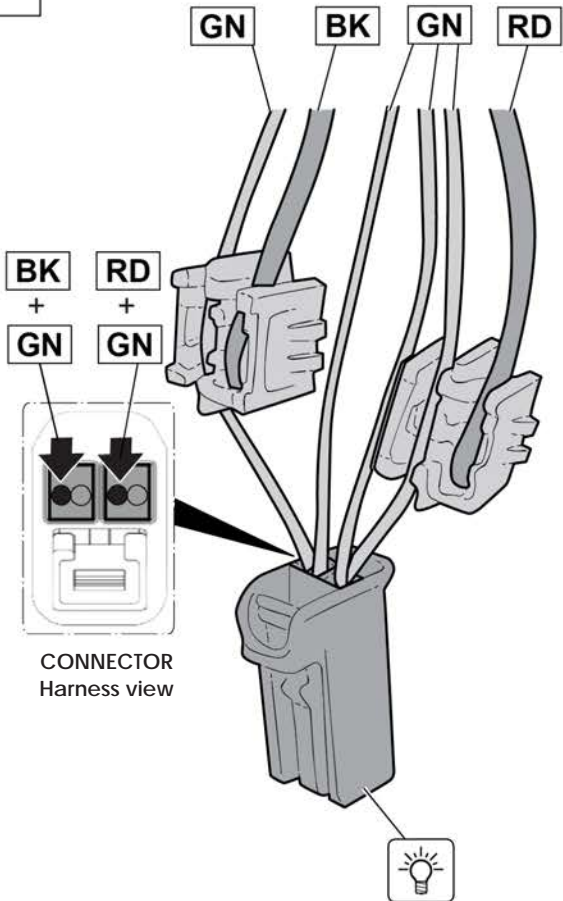
27



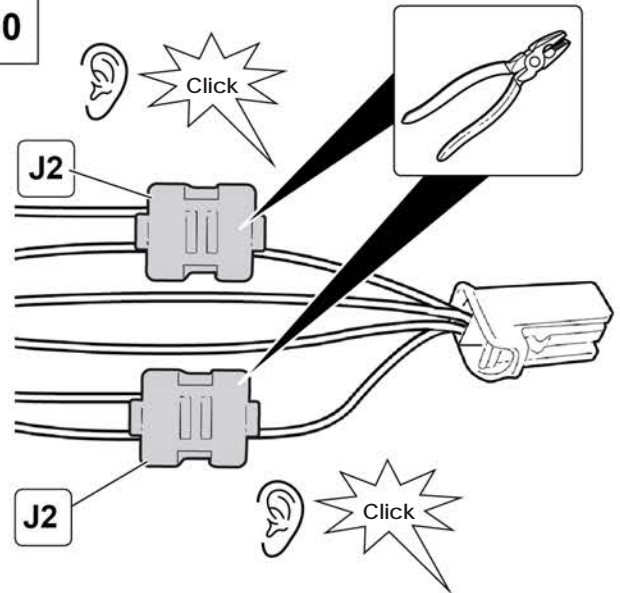
28



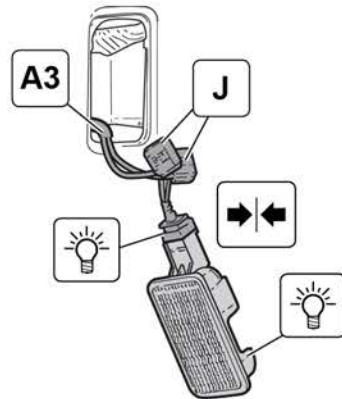
29



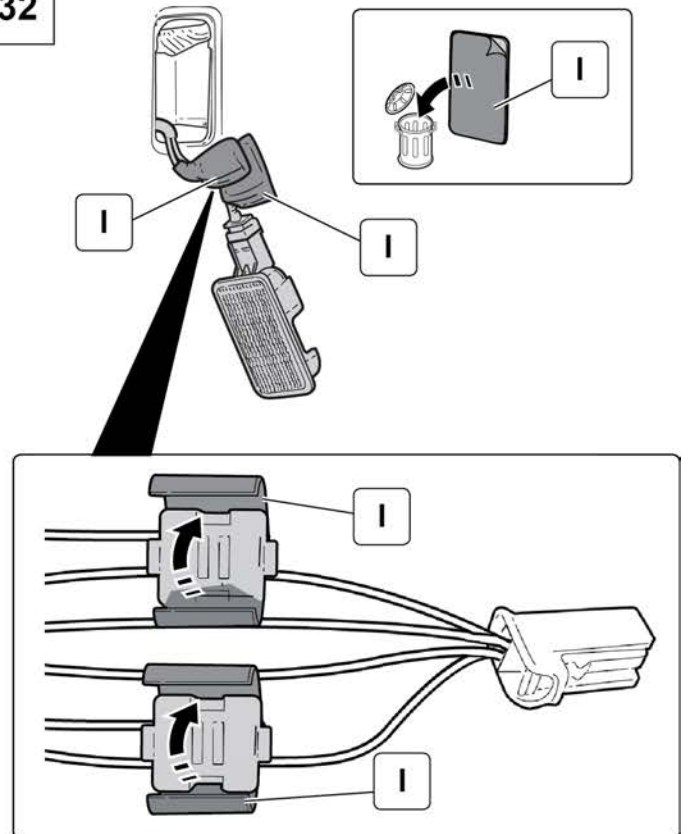
30



31



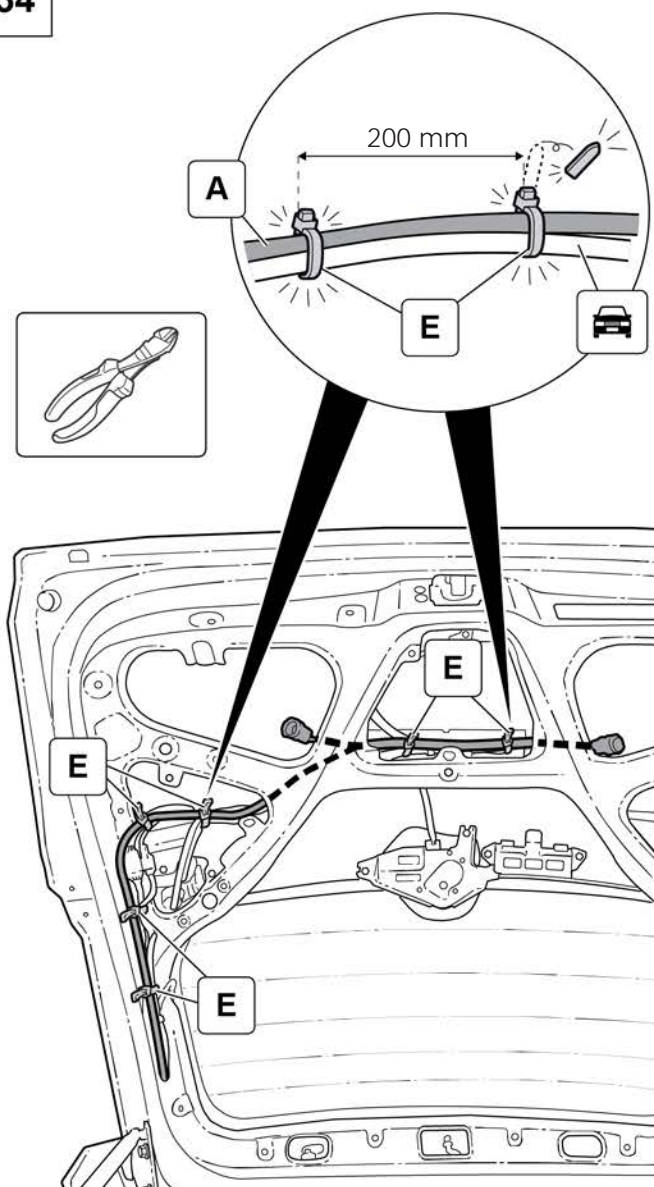
32



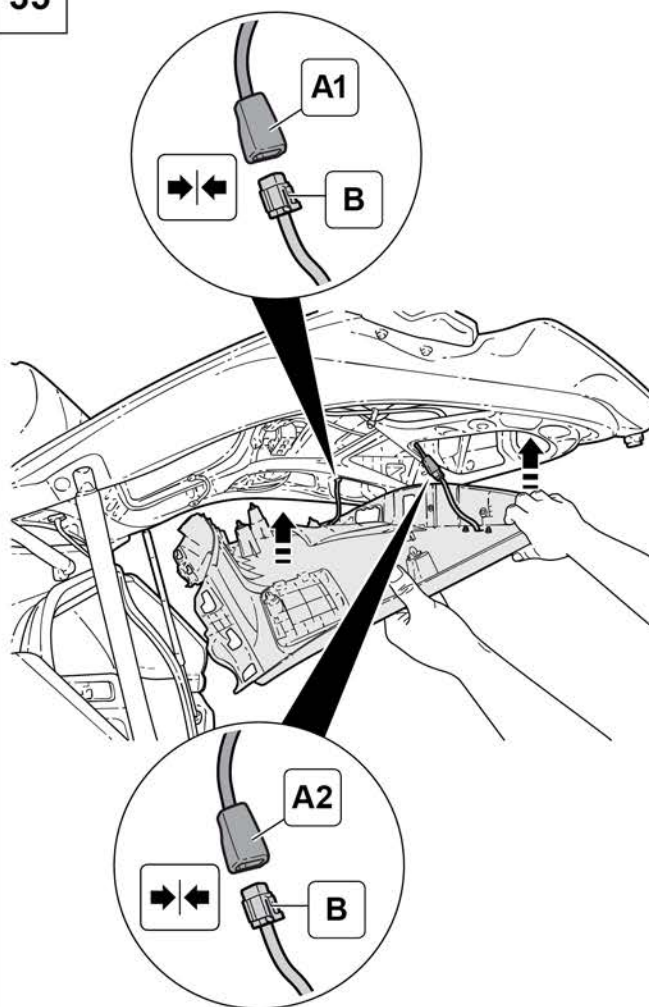
33



34



35



36



37

⚠ NOTICE

Check if the installed accessories work properly. The LED lamps will turn on when the tailgate is opened and turn off when it's closed.

38

Refit all previously removed parts in place.