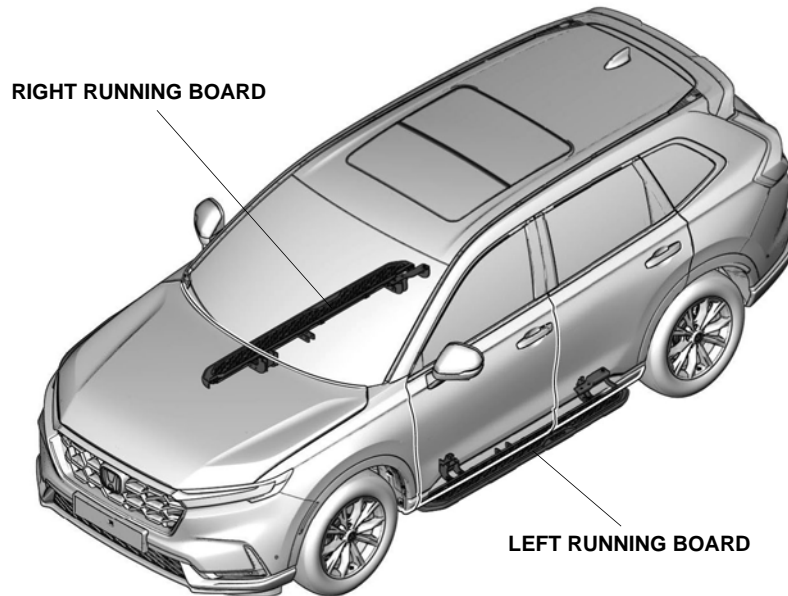


RUNNING BOARDS

CR-V

GENERAL VIEW

If you are also installing door lower trims (sold separately), install them before you install the running boards.



QM62901AB

FOR YOUR SAFETY (Read carefully)

Introduction of Symbol Messages

- These symbols warn you about the possible hazards and explain how to avoid them. The symbols also provide you with some advice.

⚠ DANGER

You will be killed or seriously hurt if you do not follow the instructions.

⚠ WARNING

You may be killed or seriously hurt if you do not follow the instructions.

⚠ CAUTION

You may be hurt if you do not follow the instructions.

NOTICE

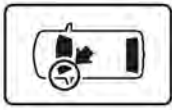
Gives advice to prevent damage to the product.
Gives helpful information or instructions to be followed in using the product.



Indicates prohibited actions.

Introduction of Icons

- These icons indicate the working place and what the worker can see.



The place for the vehicle.



The place for the instrument panel.

- These icons indicate the necessary actions that need to be taken to ensure your safety and the success of the work.



Wear eye protection.



Wear heavy gloves.



Work with an assistant.



Place the part on a blanket.



Remove any burrs.



Use the touch-up paint and dry.



Keep the parts and give them to the customer.
(Do not use)



Press firmly.



Tighten by the specified torque.



Work perpendicularly.



Clean with the contact cleaner.

Safety: General

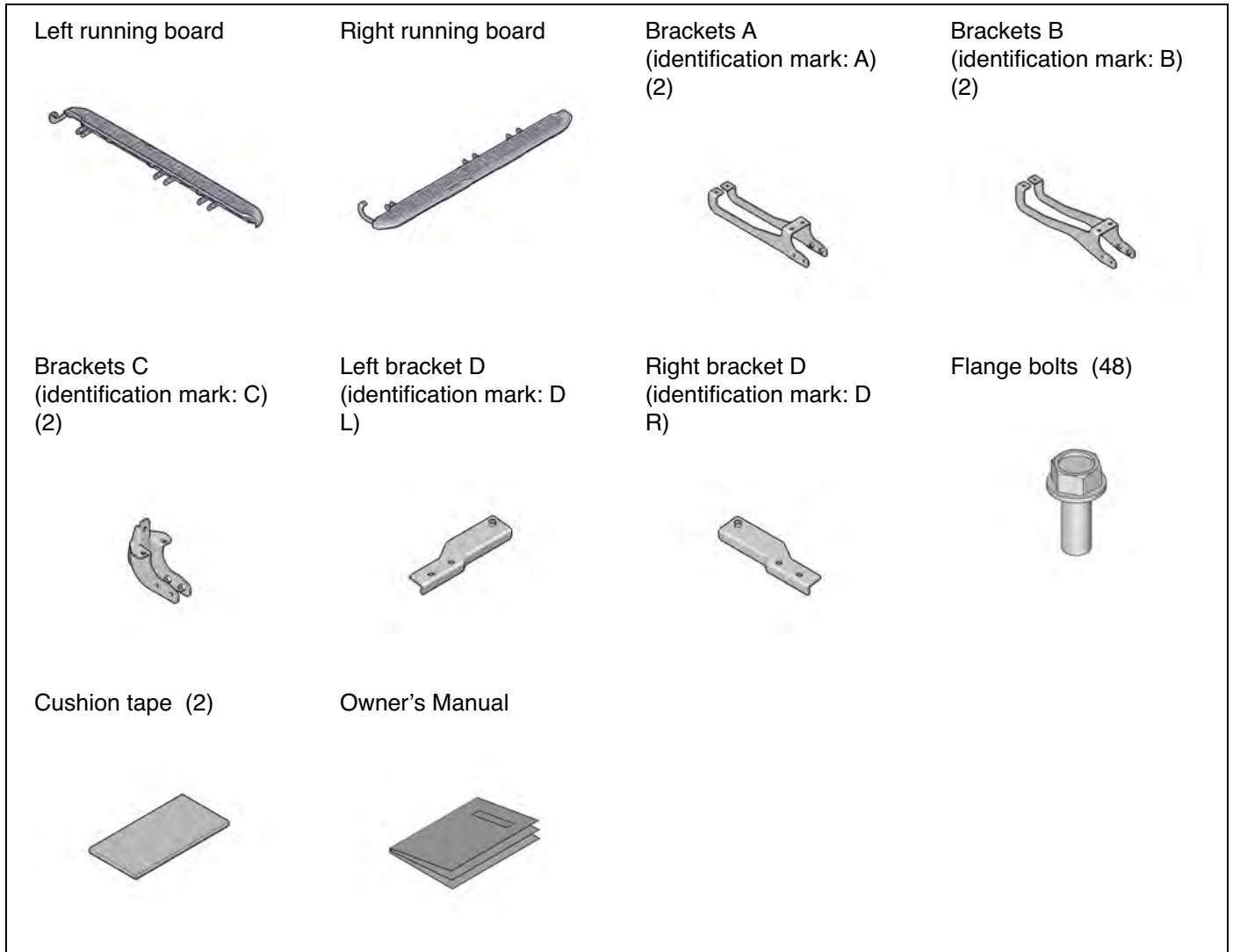
- Follow all safety information and precautions described in the workshop manual in addition to those described in these installation instructions. Most importantly, take extreme care to ensure your own safety and the safety of others.
- Be careful not to damage the vehicle and the parts.
- Be extremely careful when you handle the retaining tabs and clips.
- Note the locations of the parts before removing them so that they can be reinstalled in their original positions properly.
- The illustrations may differ a little from the actual accessories for the design change of the vehicle.

Safety: For the Accessories

- **Always use the parts and tools specified in the installation instructions.**
- **Do not carry out any installation or attachment work in an area that receives direct sunlight or in an area where dust is present.**
- **Always install these accessories at the ambient air temperature 15°C (60°F) or above.**
- **Heat the accessories and bonding surfaces if the ambient air temperature is below 15°C (60°F).**
- **Attach the accessories by pressing them firmly with the palm of your hand. Be careful not to damage the accessories and the vehicle parts.**
- **Carefully place the double-sided adhesive tape in the proper position. Once the double-sided adhesive tape touches the surface, do not try to detach and relocate the tape. If you attempt to move the tape after it comes into contact with the surface, you will damage the part before the adhesive can be detached.**
- **Do not wash the vehicle for 24 hours to allow the adhesive to cure.**

PARTS LIST

Running Board Kit



TOOLS AND SUPPLIES REQUIRED

- Ratchet
- Utility knife
- Ruler
- Shop towel
- Hacksaw
- 10mm and 12mm sockets
- Touch-up paint
- Felt-tip pen
- Contact cleaner
- Scissors
- Torque wrench
- Handy remover
- Masking tape
- File

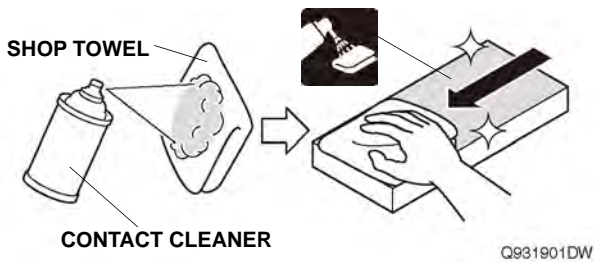
INSTALLATION

How to Use the Contact Cleaner

- Using contact cleaner on a shop towel, thoroughly clean the areas where the accessories will be attached.

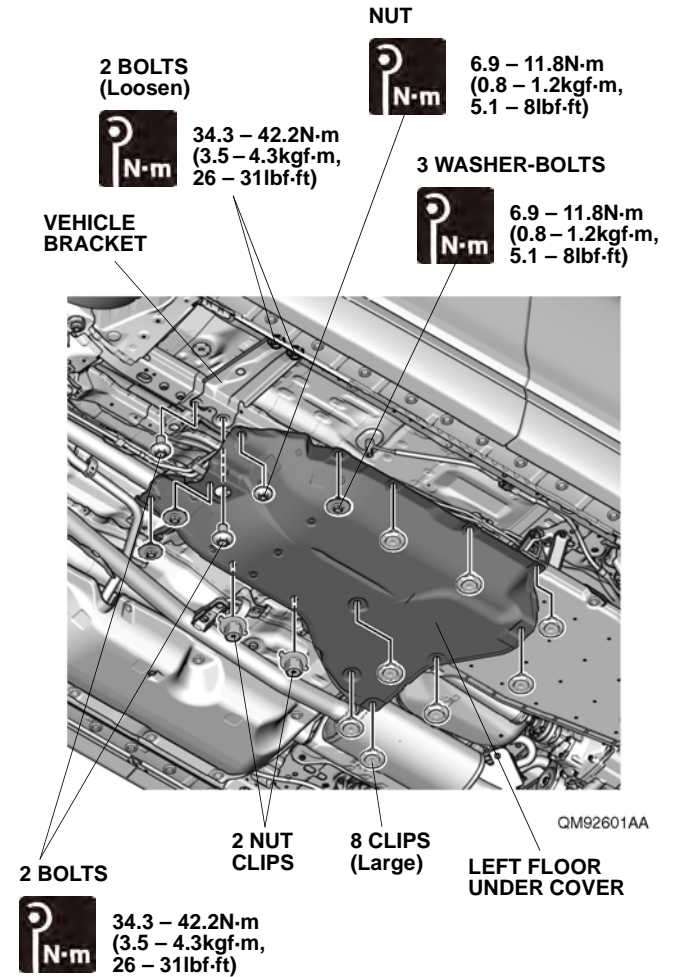
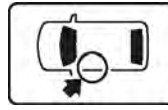
NOTICE

- Always use the contact cleaner.
- Do not apply the cleaner to the object of the work directly.
- Allow the cleaned areas to dry completely before beginning attachment work.

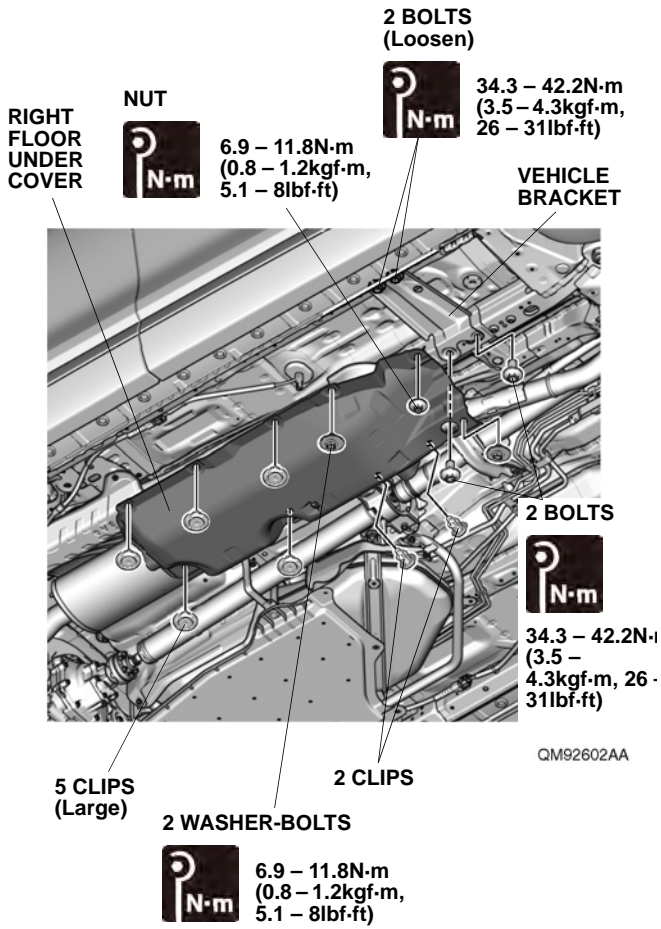


Removing the Vehicle Parts

- Lift up the vehicle.
- Remove the left floor under cover.



3. Remove the right floor under cover.

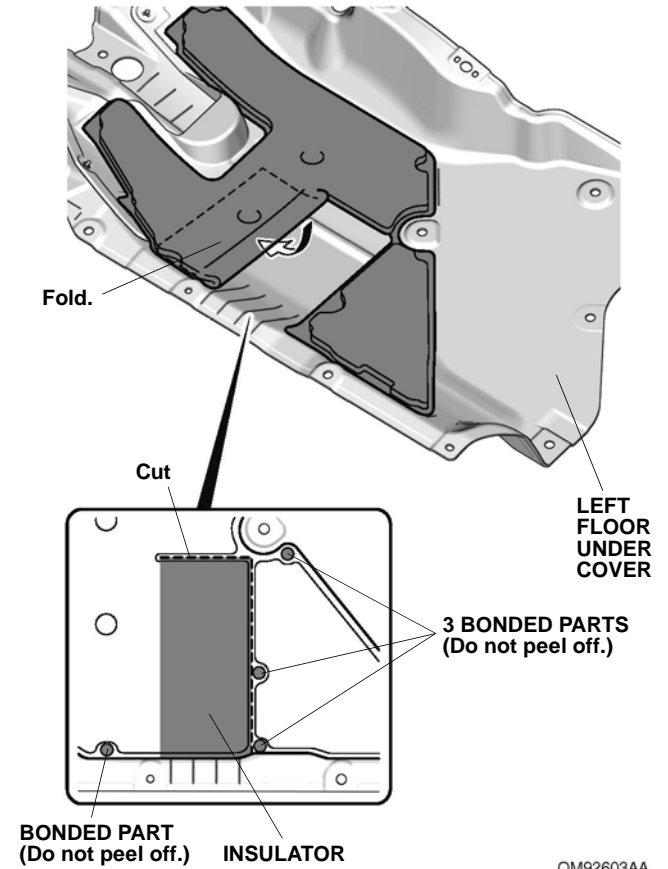


Installing the Running Boards

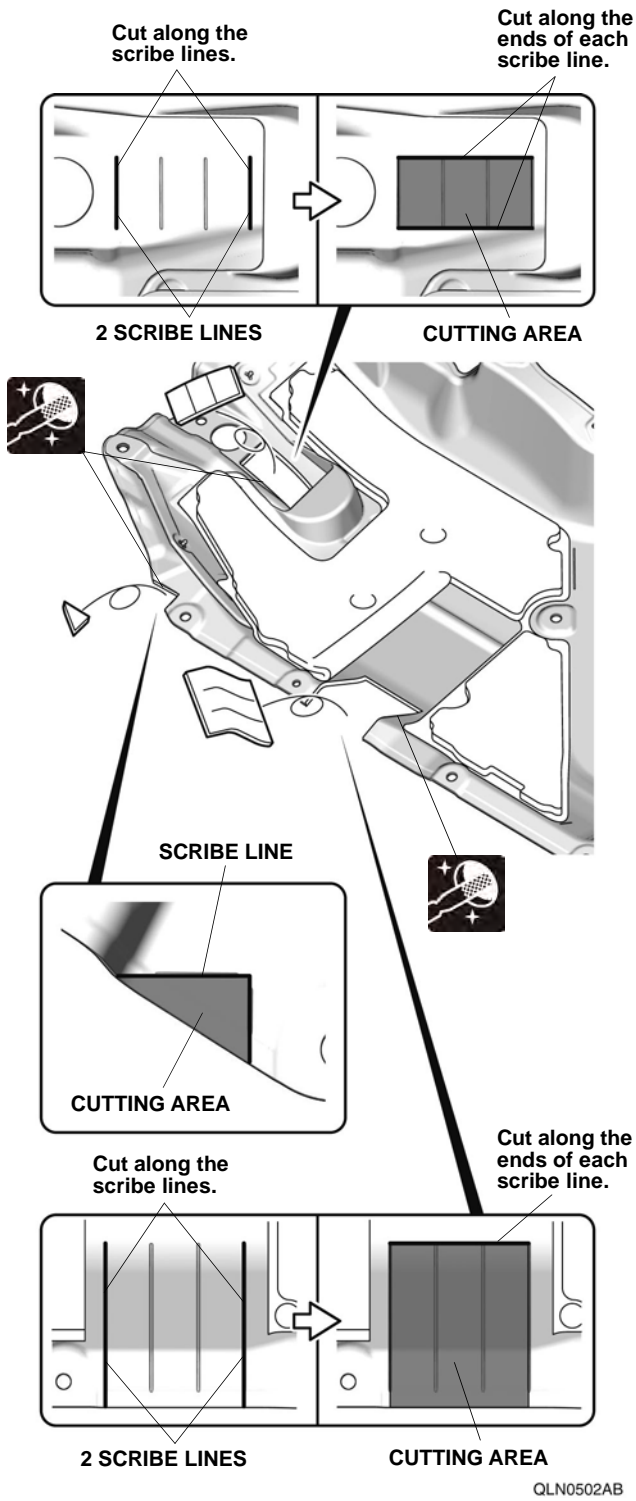
4. Cut the insulator.
5. Fold the insulator.

NOTICE

- Do not cut into the padding.
- Do not peel off the bonded parts on the insulator.



6. Cut the left floor under cover.

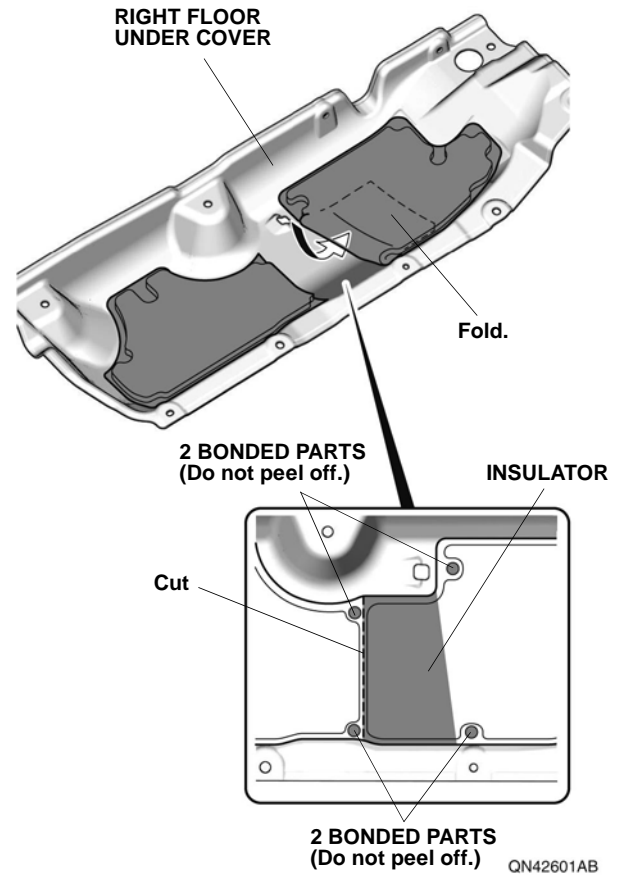


7. Cut the insulator.

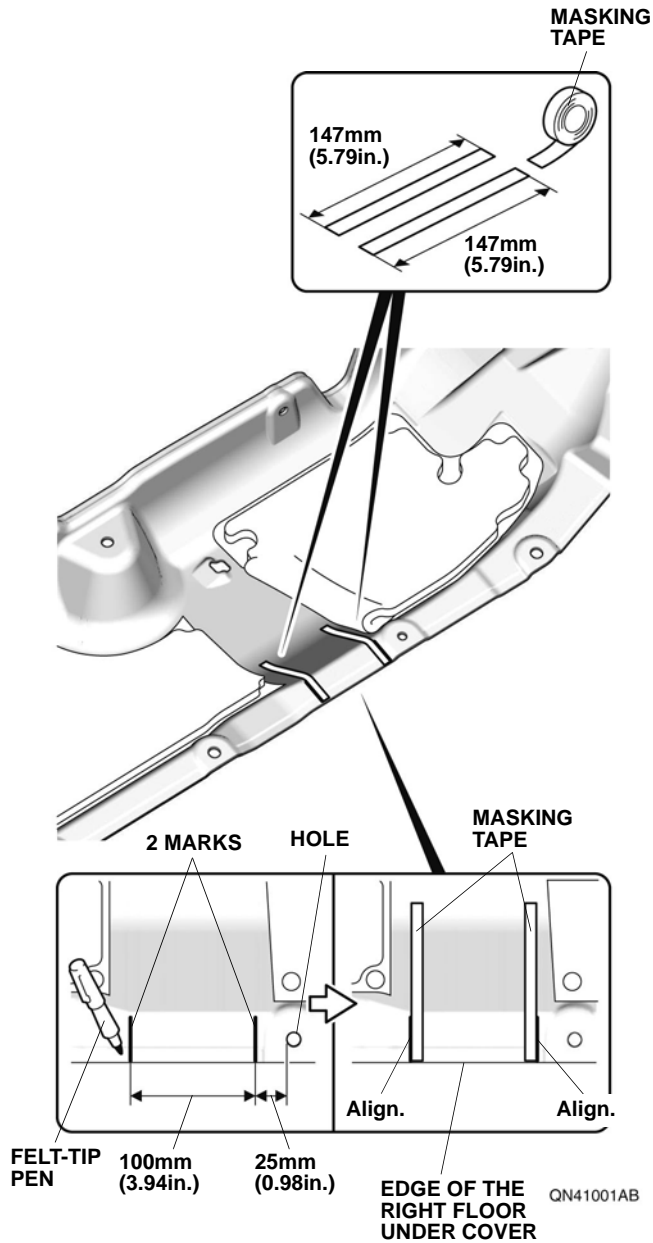
8. Fold the insulator.

NOTICE

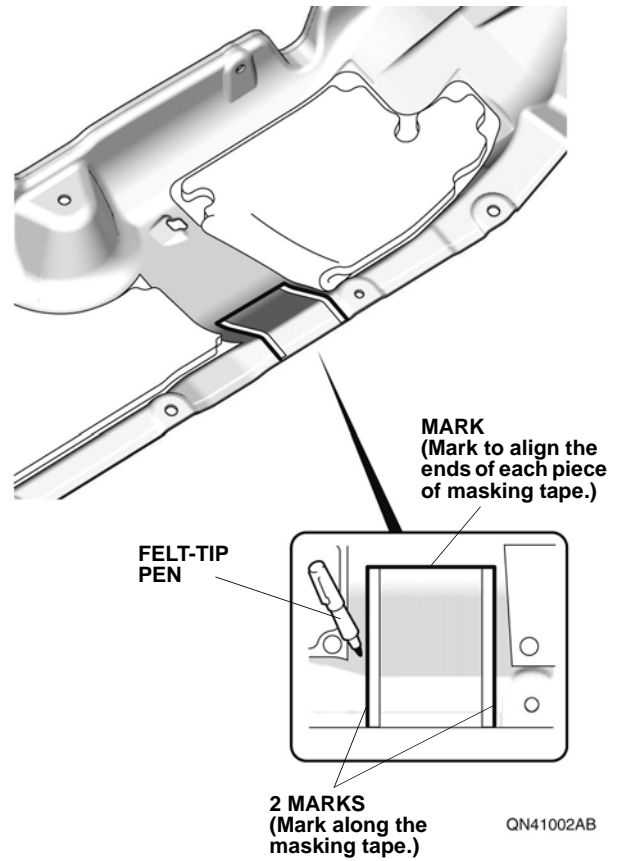
- Do not cut into the padding.
- Do not peel off the bonded parts in the insulator.



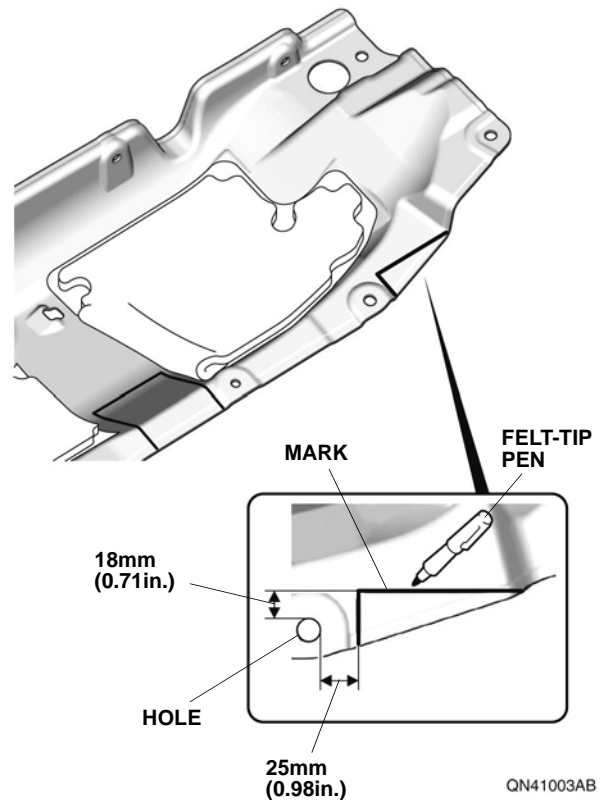
9. Mark the right floor under cover.
10. Attach the masking tape.



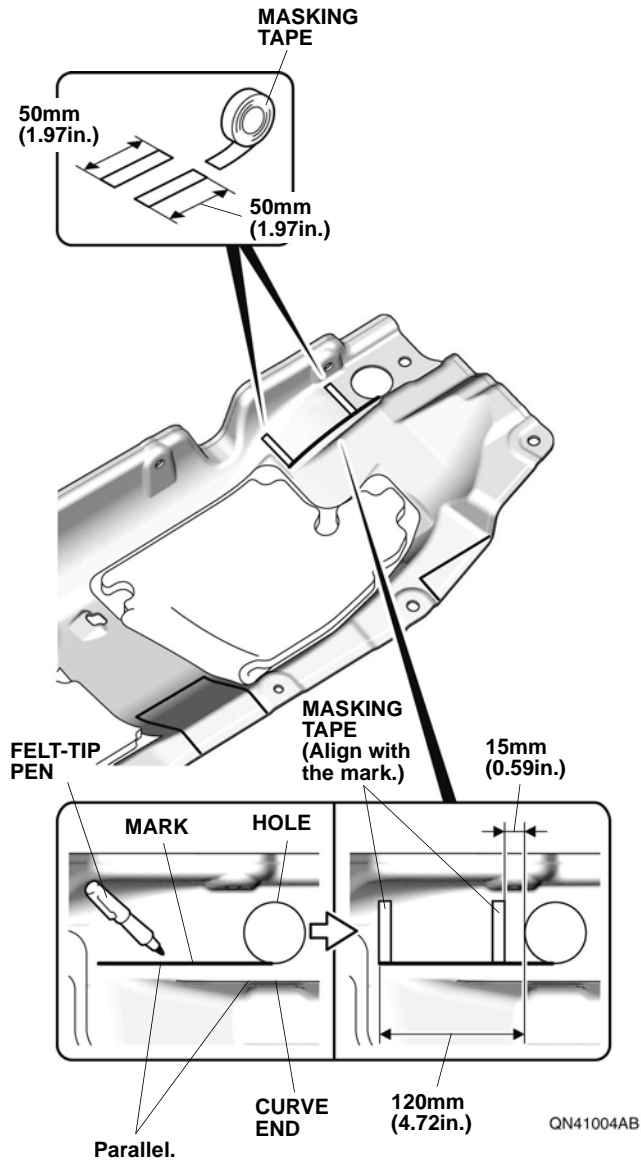
11. Mark the right floor under cover.



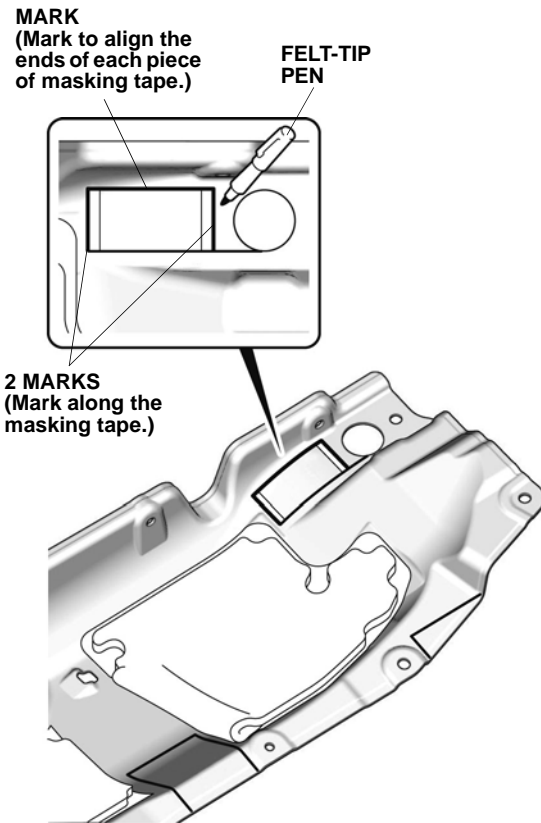
12. Remove the masking tape.
13. Mark the right floor under cover.



14. Mark the right floor under cover.
15. Attach the masking tape.



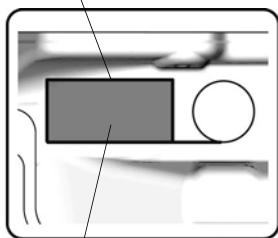
16. Mark the right floor under cover.



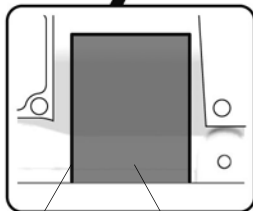
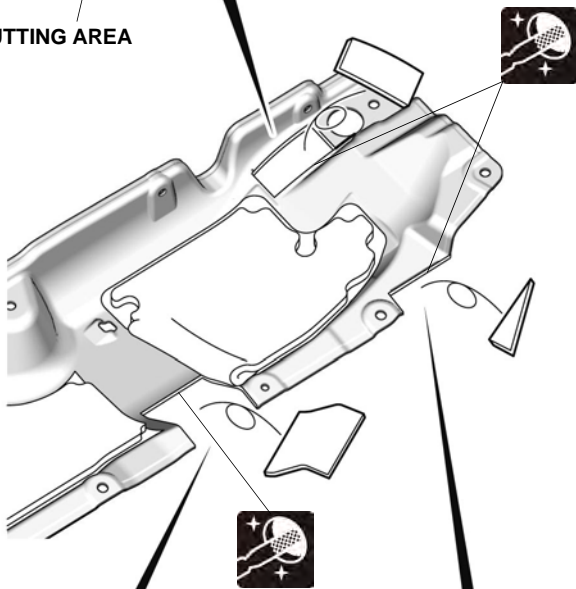
17. Remove the masking tape.

18. Cut the right floor under cover.

Cut along the mark.

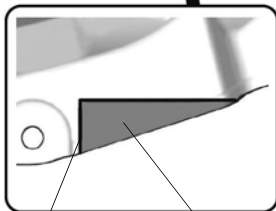


CUTTING AREA



Cut along the mark.

CUTTING AREA



Cut along the mark.

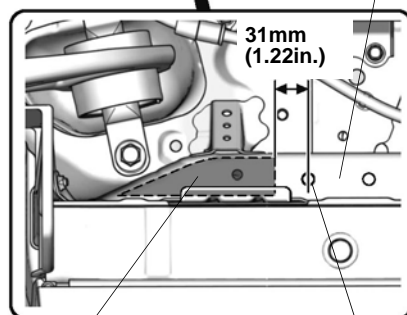
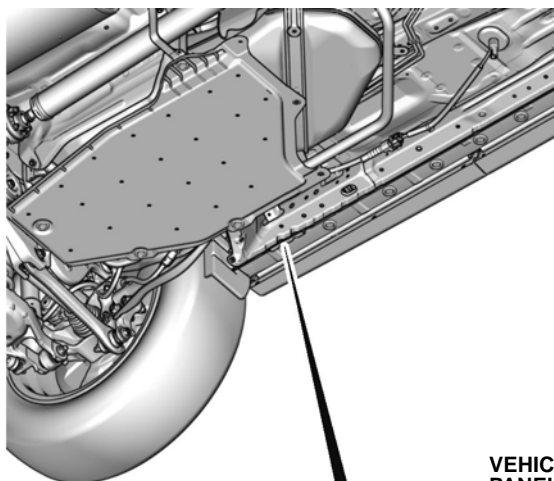
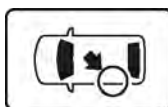
CUTTING AREA

QN41006AB

19. Remove the undercoat.

NOTICE

- Be careful not to damage the vehicle panel by filing off the undercoat excessively.



VEHICLE PANEL

31 mm
(1.22in.)

HOLE

QM92604AA

UNDERCOAT
(Remove.)

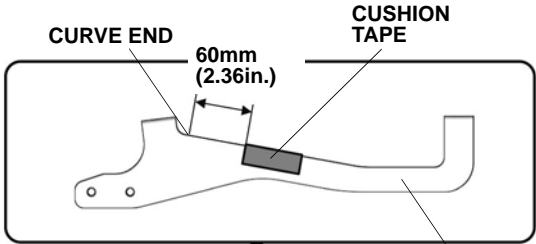
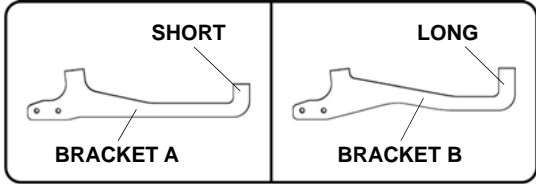


20. Repeat step 19 on the other side.

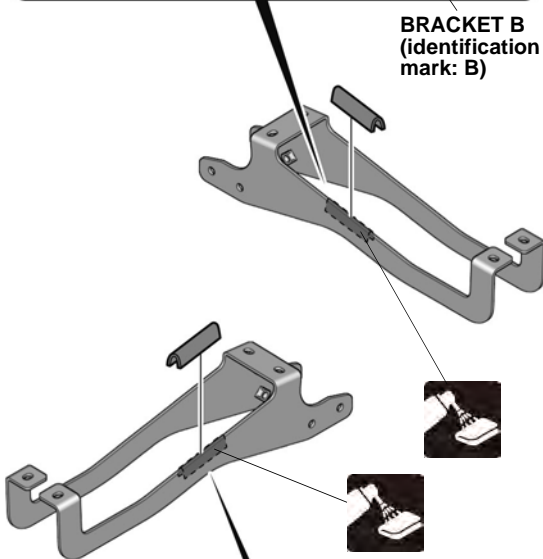
21. Attach the cushion tape.

NOTICE

- Make sure to check the identification mark before installation.
- Make sure to attach in the correct position.

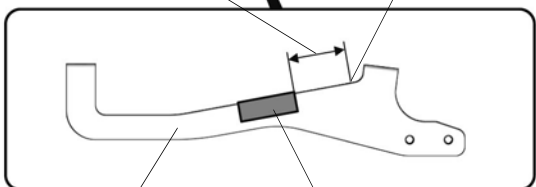


BRACKET B
(identification mark: B)



60mm
(2.36in.)

CURVE END



BRACKET B
(identification mark: B)

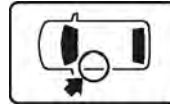
CUSHION TAPE

QLN0505AB

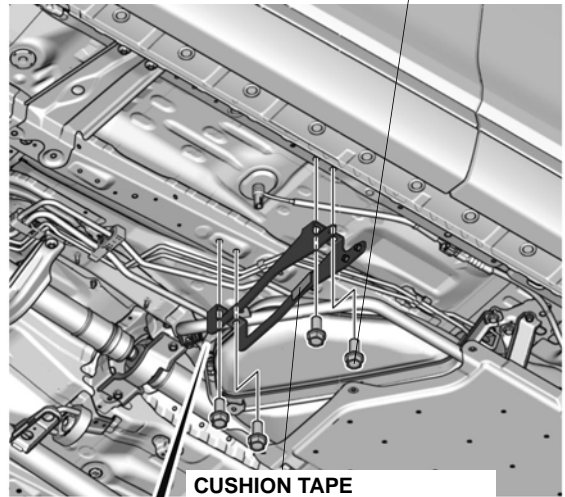
22. Loosely install the bracket B.

NOTICE

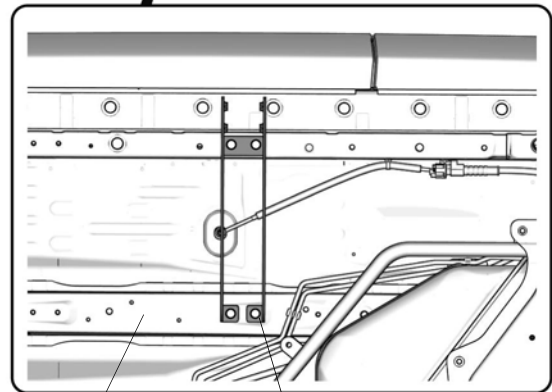
- Make sure to install the bracket in the correct position.



4 FLANGE BOLTS
(Loosely secure.)



CUSHION TAPE
(Make sure the cushion tape is rearwards.)

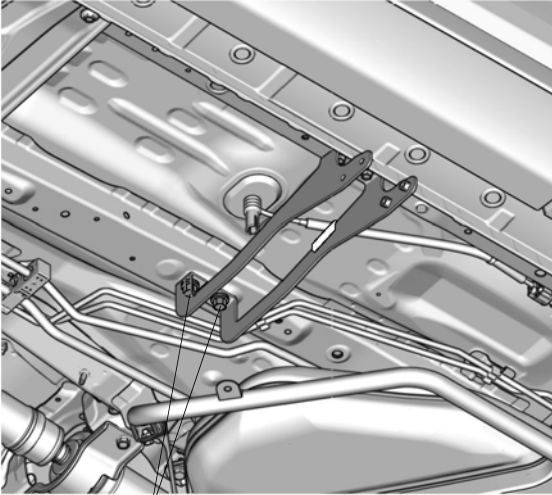


VEHICLE PANEL

BRACKET B

QM92605BA

23. Tighten the flange bolts.



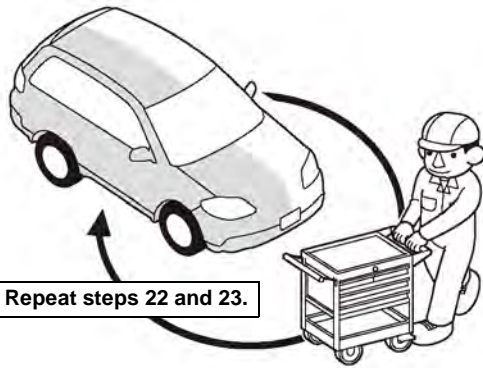
2 FLANGE BOLTS

QM92606AA



22N m
(2.2kgf·m,
16lbf·ft)

24. Repeat the same procedures on the other side.



Repeat steps 22 and 23.

Q9D1014AM

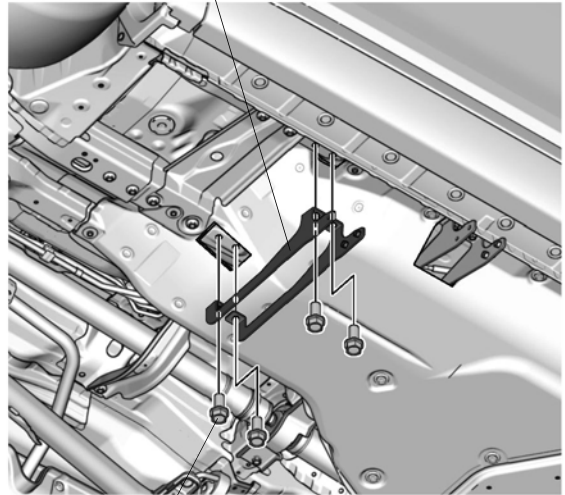
25. Reinstall the left floor under cover, right floor under cover and vehicle bracket.

26. Loosely install the bracket A.

NOTICE

- Make sure to check the identification mark before installation.

BRACKET A
(identification mark: A)



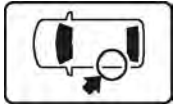
4 FLANGE BOLTS
(Loosely secure.)

QM92607AA

27. Loosely install bracket C and left bracket D.

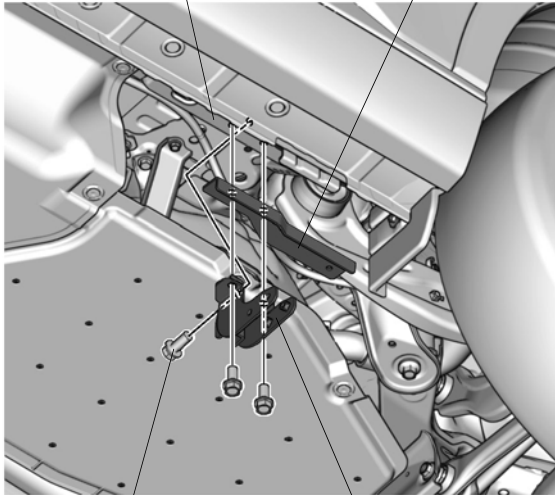
NOTICE

- Make sure to check the identification mark before installation.



VEHICLE PANEL

LEFT BRACKET D
(identification mark: D L)



3 FLANGE BOLTS
(Loosely secure.)

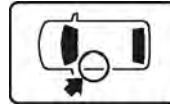
BRACKET C
(identification mark: C)

QM92608AA

28. Loosely install the left running board.

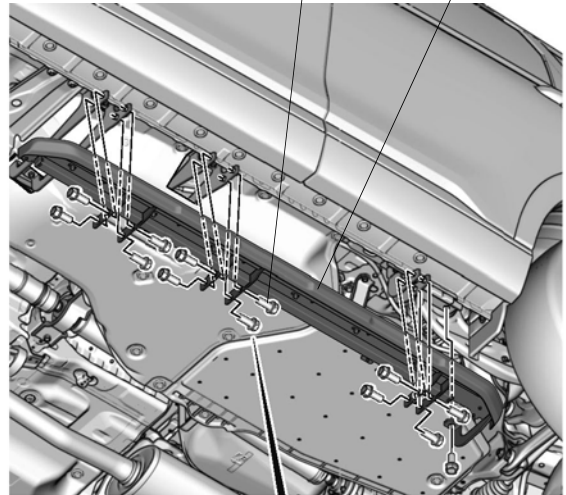
NOTICE

- Secure in the order shown.



13 FLANGE BOLTS
(Loosely secure.)

LEFT RUNNING BOARD

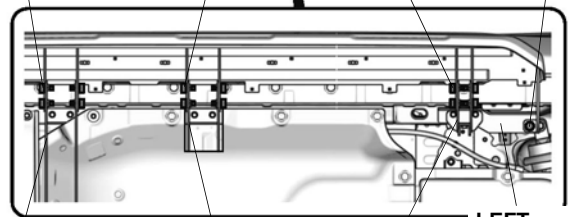


1 4 FLANGE BOLTS

2 4 FLANGE BOLTS

1 4 FLANGE BOLTS

3 FLANGE BOLT



BRACKET A

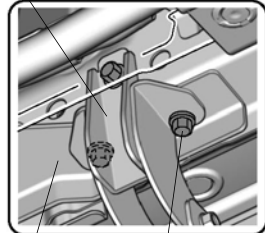
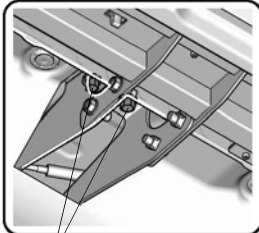
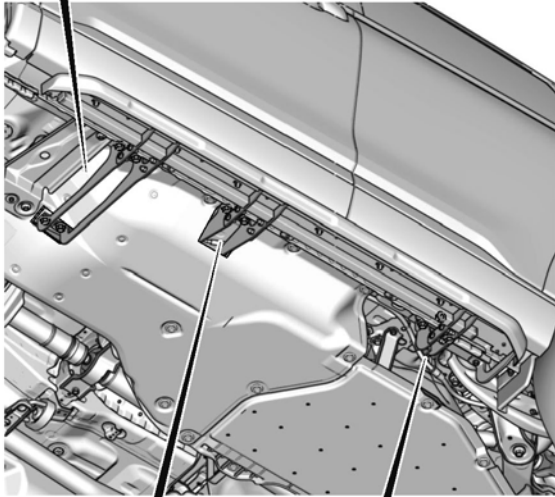
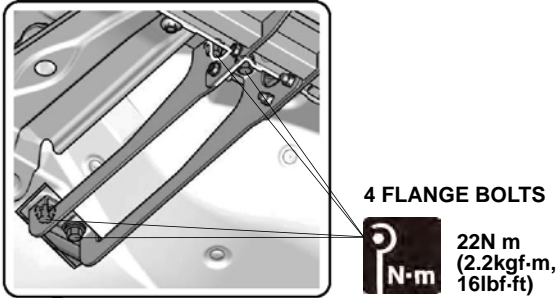
BRACKET B

BRACKET C

LEFT BRACKET D

QM92609AA

29. Secure bracket A, bracket B, bracket C and left bracket D.

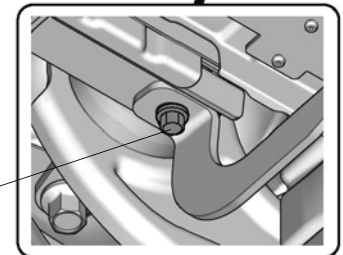
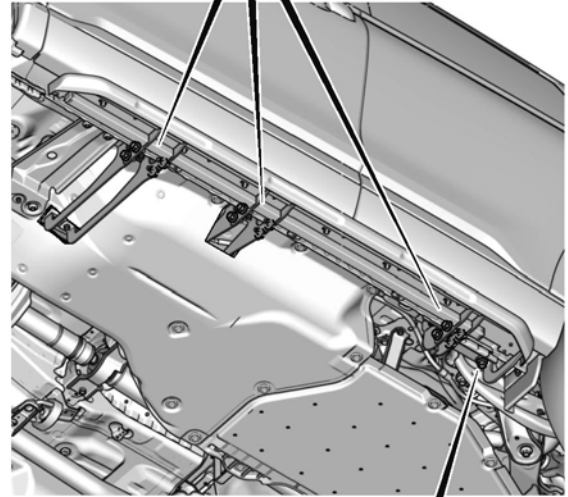
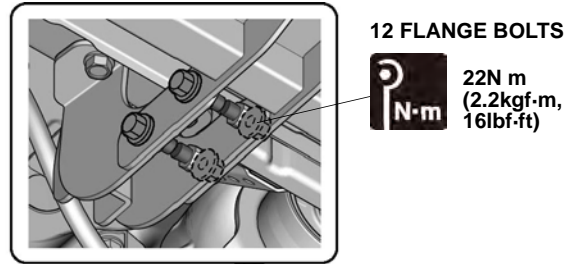


2 FLANGE BOLTS
 22N m (2.2kgf-m, 16lbf-ft)

LEFT BRACKET D QM92610AA

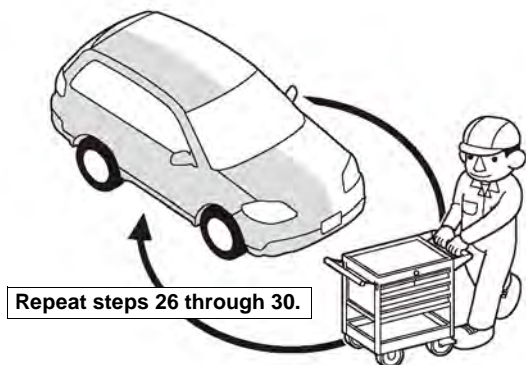
3 FLANGE BOLTS
 22N m (2.2kgf-m, 16lbf-ft)

30. Secure the left running board.



QM92611AA

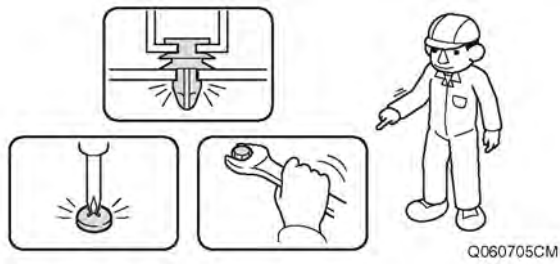
31. Repeat the same procedures on the other side.



Q9D1014AM

Check After Installation

32. Check that all parts are installed properly.

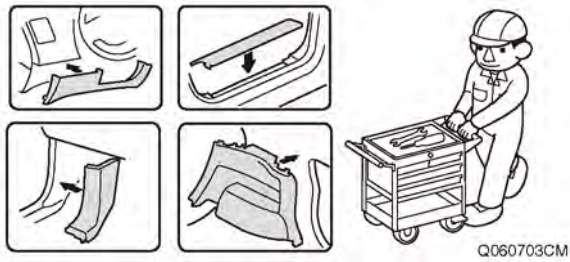


Reinstalling the All Removed Parts

33. Reinstall all removed parts.

NOTICE

- Be extremely careful not to damage the vehicle parts, and secure the clips and the retaining tabs properly to avoid separation.



Give your customers the following items.

- Owner's Manual