



CARGO NET

OWNER'S MANUAL


ENGLISH

Thank you for purchasing a Honda product.

Please read this Owner's Manual before using the Honda product and keep it in the glove box for future reference.

- This product is designed to be used exclusively with Honda vehicles. Honda is not responsible for the product installed in other than applicable Honda vehicles.
For information on the applicable models, please contact your Honda dealer.
- The Owner's Manual should be considered a permanent part of your vehicle. It should remain with the vehicle at all times and stay with the vehicle if it is sold.

SPECIAL MESSAGES

- Honda provides many important safety messages in this manual. For your safety and safety of others, pay special attention to all warnings preceded by this alert symbol .
Failure to follow the warnings contained in this manual can result in serious injury or accident.

DANGER

- Indicates that severe personal injury or death will result if instructions are not followed.

WARNING

- Indicates a strong possibility that serious injury or death may result if instructions are not followed.

CAUTION

- Indicates a possibility that minor personal injury may result if instructions are not followed.

SYMBOLS

- If instructions are preceded by the following symbols, they will give helpful advice or information.

ADVICE

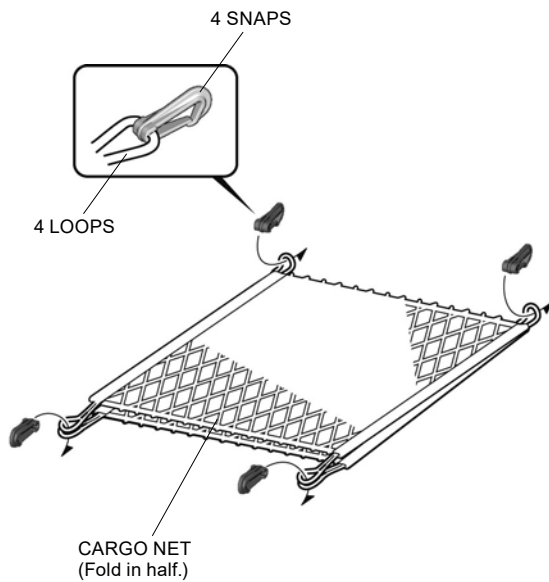
- Gives advice to prevent damage to the product.
- Gives advice to handle emergency situation.

INFORMATION

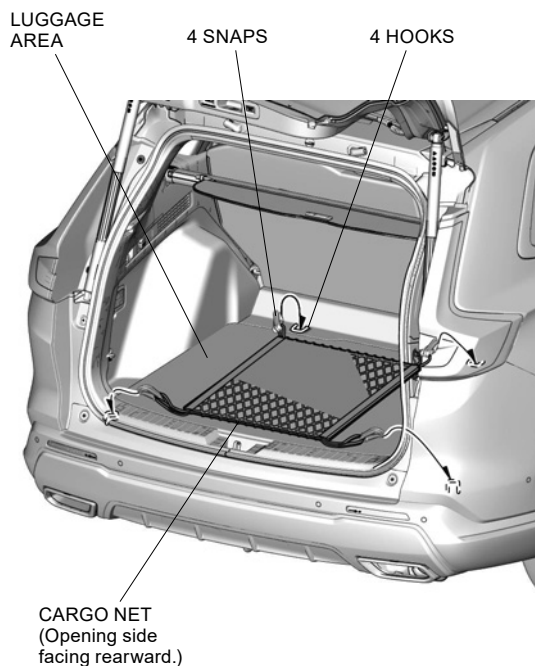
Gives helpful information or instructions to be followed in using the product.

INSTALLATION

1. Fold the cargo net in half, and attach the four snaps to the cargo net as shown.



2. With the opening side of the cargo net facing rearward, secure the four snaps to the hooks in the luggage area.



USE AND CARE

CAUTION

Do not store or remove cargo in or from the cargo net while the car is in motion. Failure to follow this precaution can lead to serious injury or accident when the car is braked suddenly.

ADVICE

- Do not store large or long objects as they interfere with the tailgate when it is closed, causing damage to the tailgate.
- Do not store articles having sharp edges or corners without covering them with blanket or doing them up in paper. Failure to follow this precaution can damage the cargo net.