



CARGO MAT

OWNER'S MANUAL


ENGLISH

Thank you for purchasing a Honda product.

Please read this Owner's Manual before using the Honda product and keep it in the glove box for future reference.

- This product is designed to be used exclusively with Honda vehicles. Honda is not responsible for the product installed in other than applicable Honda vehicles.
For information on the applicable models, please contact your Honda dealer.
- The Owner's Manual should be considered a permanent part of your vehicle. It should remain with the vehicle at all times and stay with the vehicle if it is sold.

SPECIAL MESSAGES

- Honda provides many important safety messages in this manual. For your safety and safety of others, pay special attention to all warnings preceded by this alert symbol .
Failure to follow the warnings contained in this manual can result in serious injury or accident.



DANGER

- Indicates that severe personal injury or death will result if instructions are not followed.



WARNING

- Indicates a strong possibility that serious injury or death may result if instructions are not followed.



CAUTION

- Indicates a possibility that minor personal injury may result if instructions are not followed.

SYMBOLS

- If instructions are preceded by the following symbols, they will give helpful advice or information.



ADVICE

- Gives advice to prevent damage to the product.
- Gives advice to handle emergency situation.



INFORMATION

- Gives helpful information or instructions to be followed in using the product.

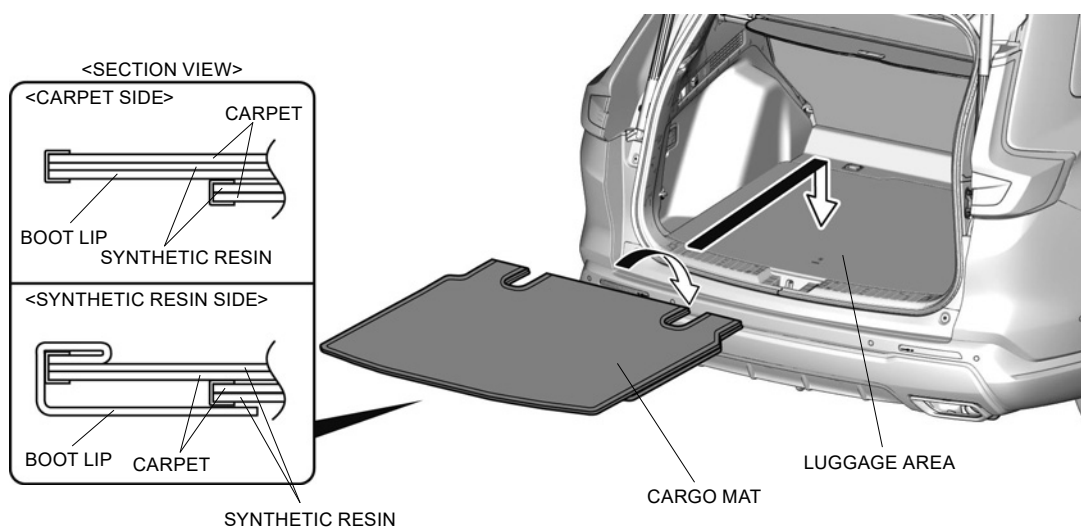
INSTALLATION

When the rear seat back is upright

- Fold the cargo mat and place it on the luggage area.

INFORMATION

The cargo mat can be used on either the carpet side or the synthetic resin side.

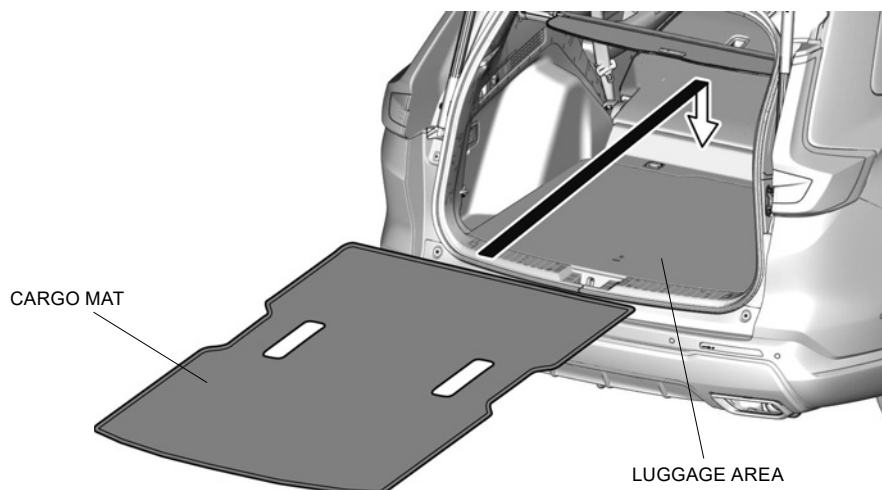


When the rear seat is folded

- Unfold the cargo mat and place it on the luggage area.

INFORMATION

The cargo mat can be used on either the carpet side or the synthetic resin side.



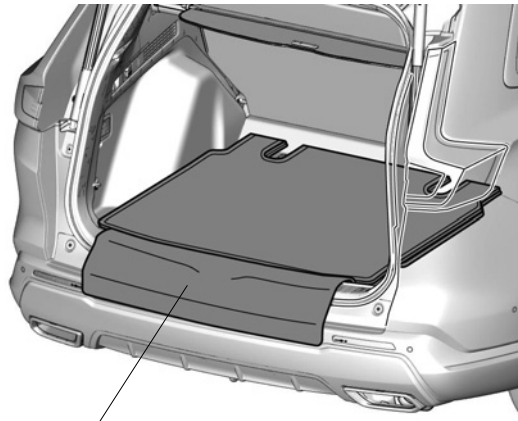
USING BOOT LIP

- The cargo mat protects the bumper from scratches caused by loading and unloading.



ADVICE

- When closing the tailgate, return the boot lip to the car.



BOOT LIP