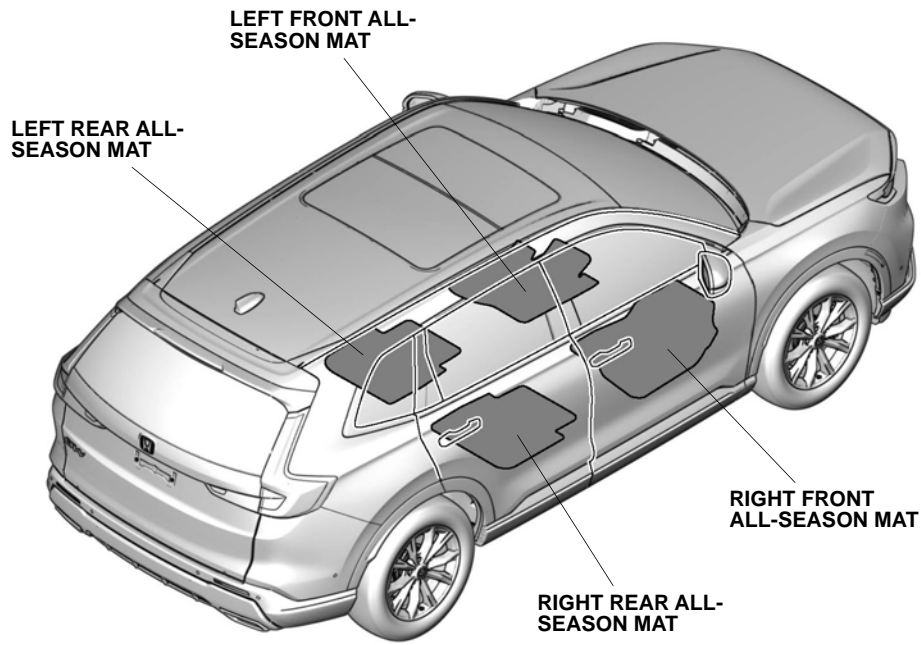


ALL-SEASON MATS

CR-V

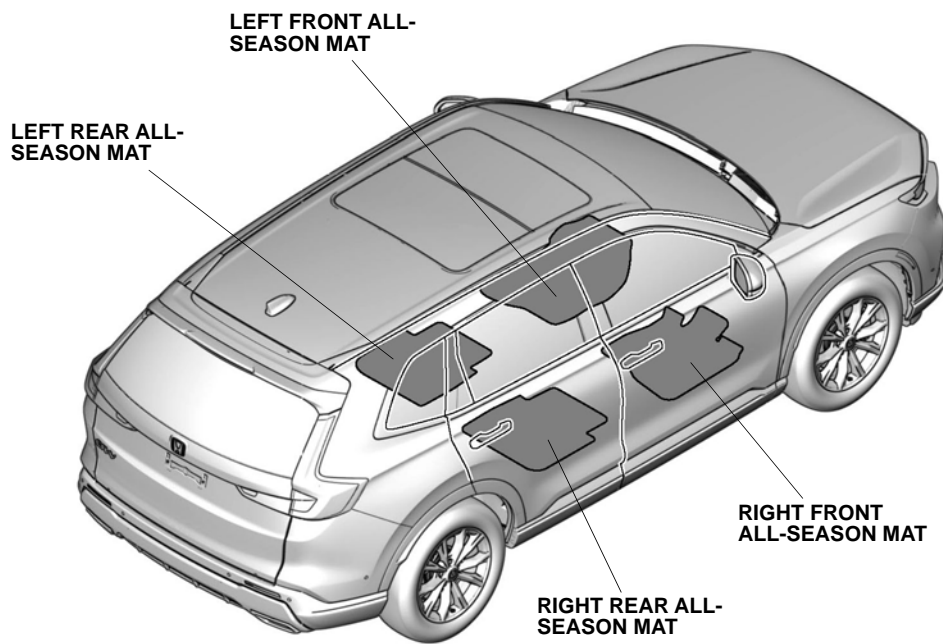
GENERAL VIEW

<LHD models>



QM62316AA

<RHD models>



QM62317AA

FOR YOUR SAFETY (Read carefully)

Introduction of Symbol Messages

- These symbols warn you about the possible hazards and explain how to avoid them. The symbols also provide you with some advice.



You will be killed or seriously hurt if you do not follow the instructions.



You may be killed or seriously hurt if you do not follow the instructions.



You may be hurt if you do not follow the instructions.



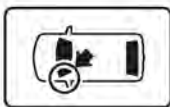
Gives advice to prevent damage to the product.
Gives helpful information or instructions to be followed in using the product.



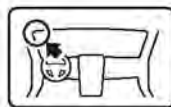
Indicates prohibited actions.

Introduction of Icons

- These icons indicate the working place and what the worker can see.



The place for the vehicle.



The place for the instrument panel.

- These icons indicate the necessary actions that need to be taken to ensure your safety and the success of the work.



Wear eye protection.



Wear heavy gloves.



Work with an assistant.



Place the part on a blanket.



Remove any burrs.



Use the touch-up paint and dry.



Keep the parts and give them to the customer.
(Do not use)



Press firmly.



Tighten by the specified torque.



Work perpendicularly.



Clean with the contact cleaner.

Safety: General

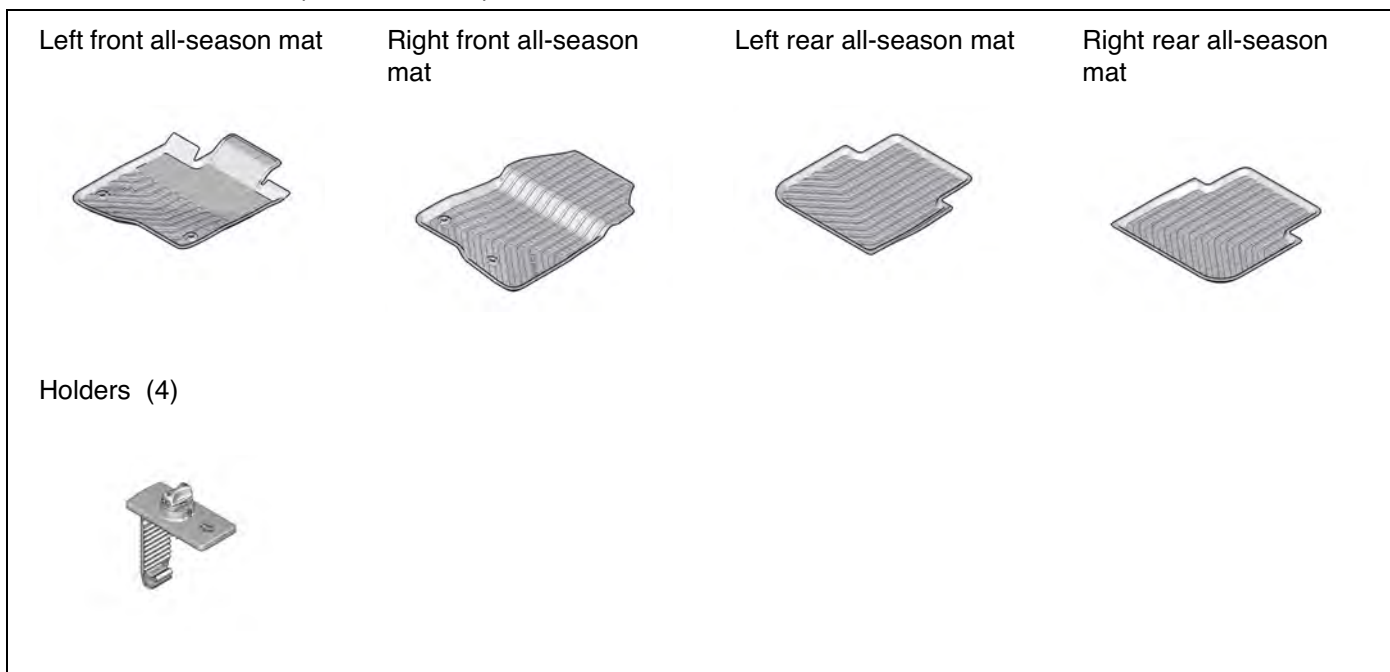
- Be careful not to damage the vehicle and the parts.
- The illustrations may differ a little from the actual accessories for the design change of the vehicle.

Safety: For the Accessories

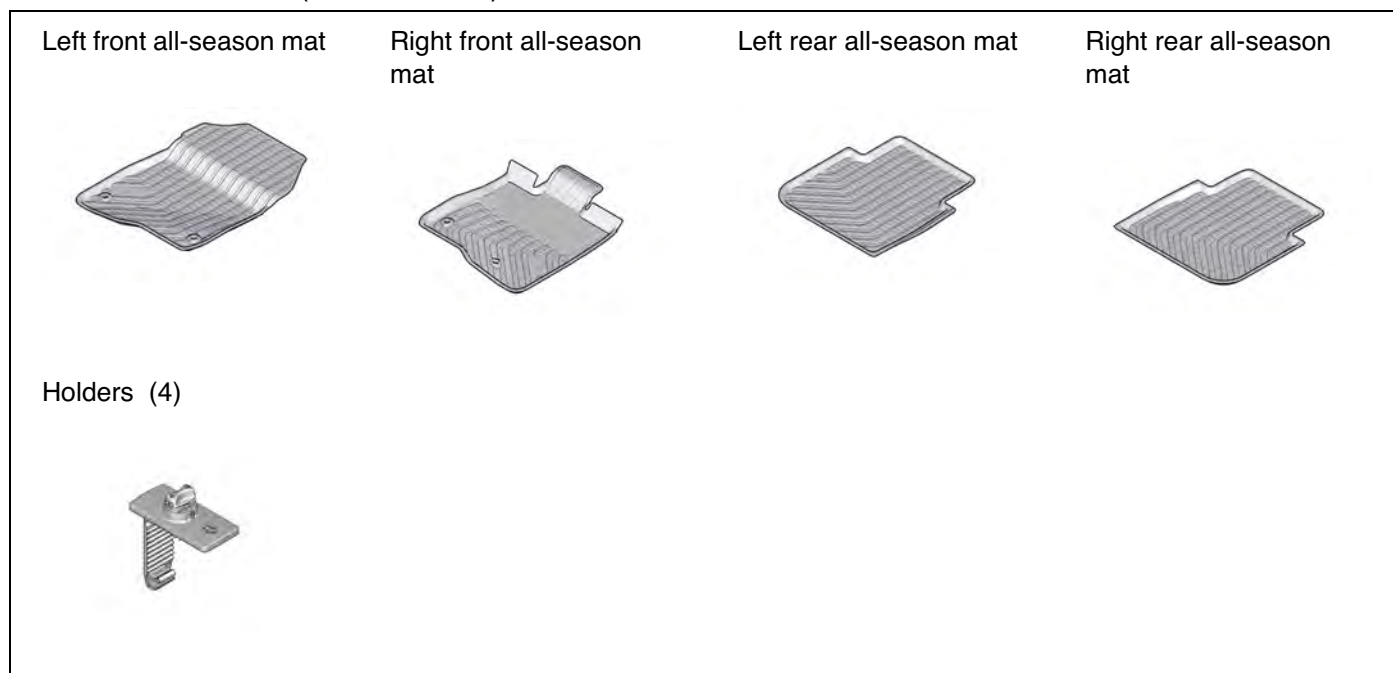
- **Before installing the all-season mats, check the installation positions.**
- **Holders are required to prevent the mats from sliding forward and possibly interfering with the pedals.**
- **When you replace the all-season mats, use the factory-designed all-season mats that are compatible with the holders.**
- **Do not place additional mats on top of the all-season mats. The additional mats may slide forward and possibly interfere with the pedals.**
- **Make sure to re-anchor the mats after you remove the all-season mats.**
- **Identify each mat by the location mark on the back of each mat.**

PARTS LIST

All-Season Mats Kit (LHD models)



All-Season Mats Kit (RHD models)



TOOLS AND SUPPLIES REQUIRED

- Flat-tip screwdriver
- Utility knife

INSTALLATION

Installing the All-Season Mats

1. Follow the below guidance.

| | |
|--------------|-----------|
| • LHD models | To step 2 |
| • RHD models | To step 8 |

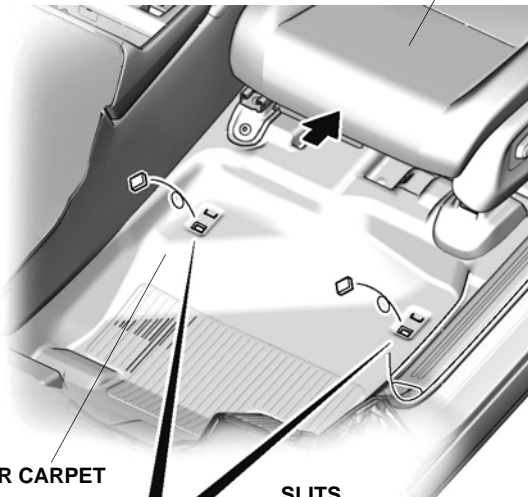
2. Cut the floor carpet.

NOTICE

- Cut only the floor carpet to avoid damaging the vehicle parts under the slits.

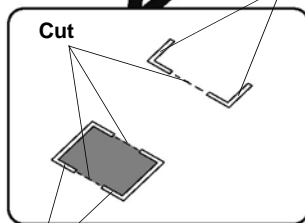


DRIVER'S SEAT
(Slide rearward.)



FLOOR CARPET

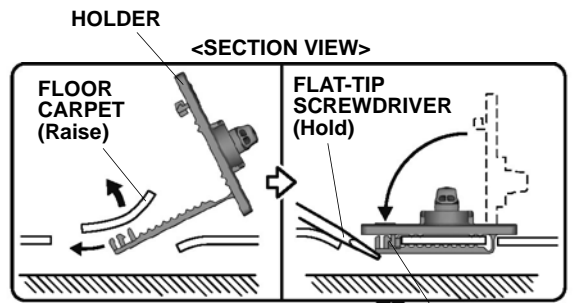
SLITS



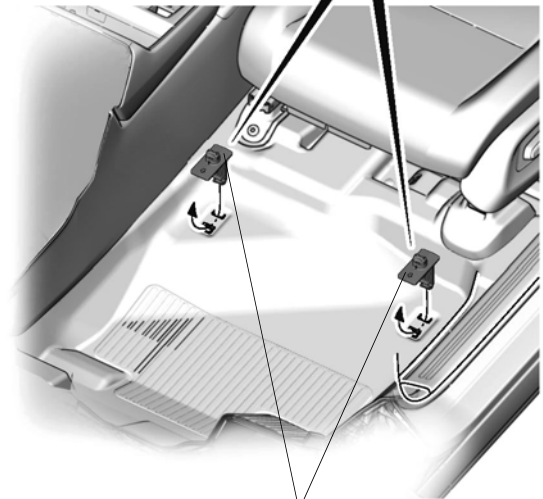
SLITS

QM62303AA

3. Install the holders.



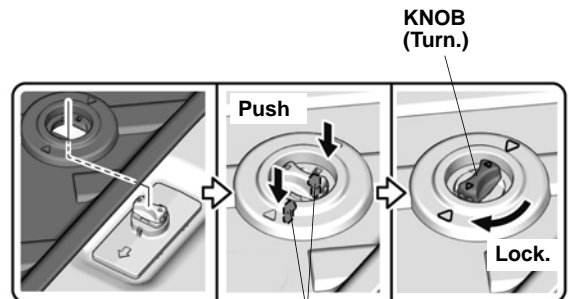
Lock securely.



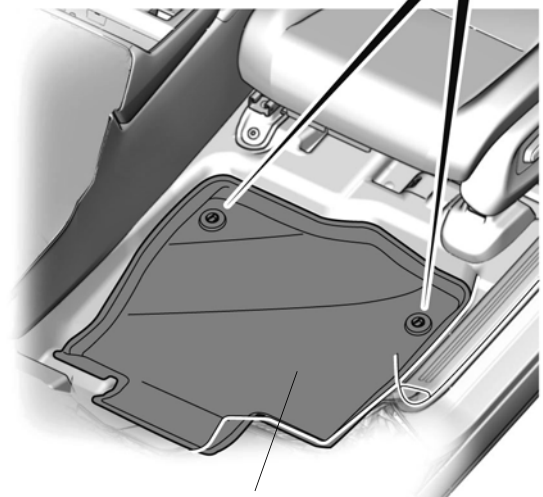
2 HOLDERS

QM62304AA

4. Install the left front all-season mat.



2 RETAINING TABS



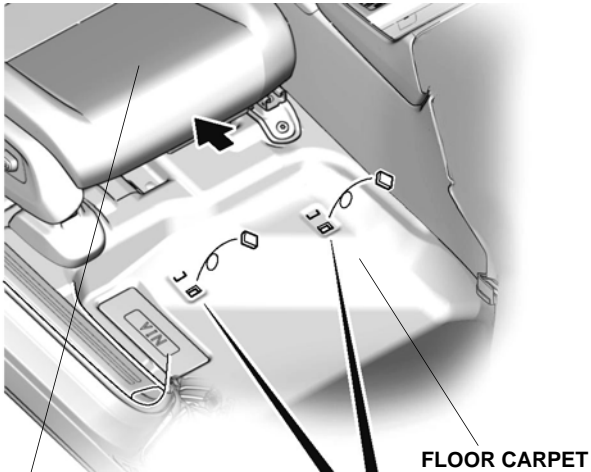
LEFT FRONT ALL-SEASON MAT

QM62318AA

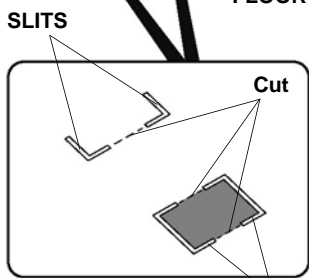
5. Cut the floor carpet.

NOTICE

- Cut only the floor carpet to avoid damaging the vehicle parts under the slits.



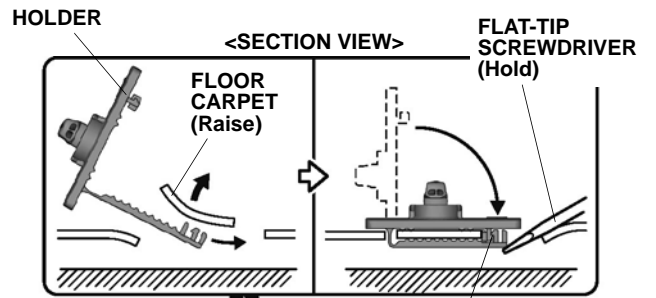
PASSENGER'S SEAT
(Slide rearward.)



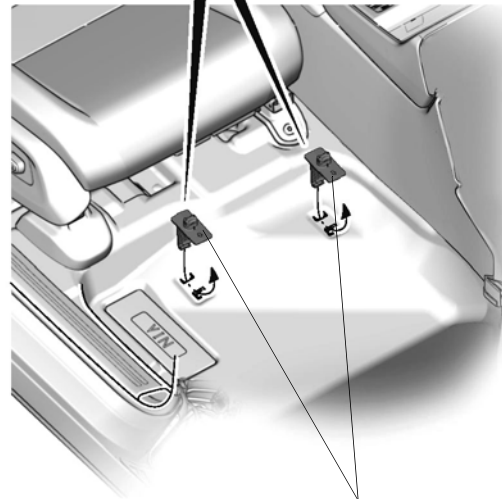
SLITS

QM62306AA

6. Install the holders.



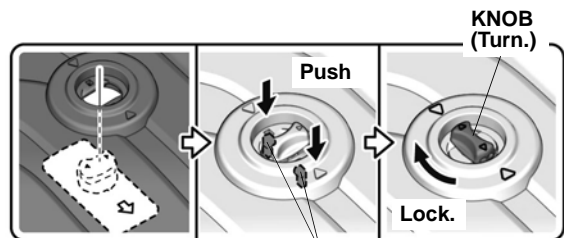
Lock securely.



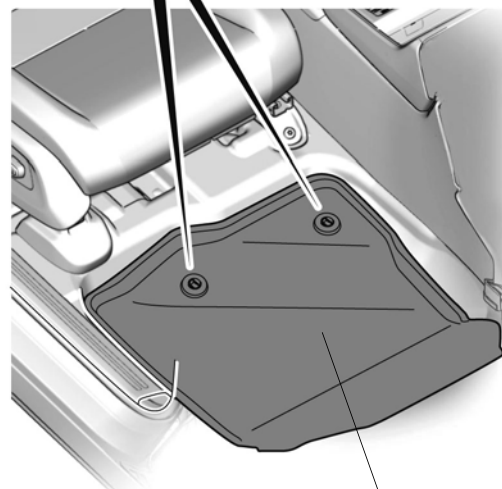
2 HOLDERS

QM62307AA

7. Install the right front all-season mat.



2 RETAINING TABS



RIGHT FRONT ALL-SEASON MAT

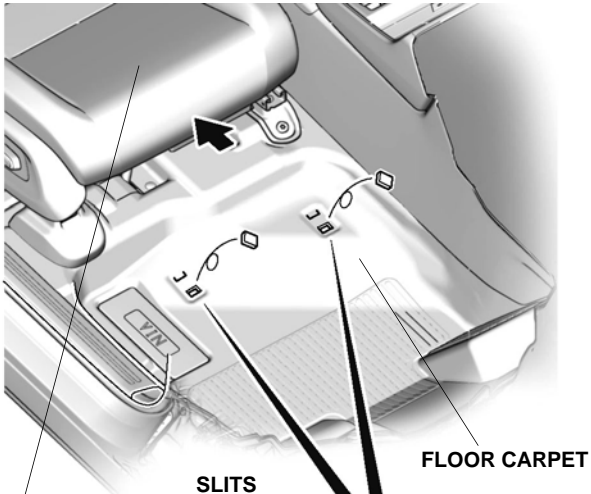
QM62319AA

To step 14

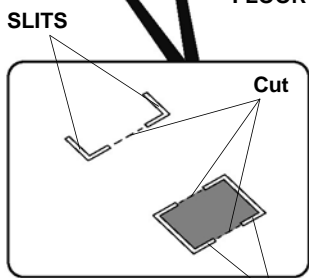
8. Cut the floor carpet.

NOTICE

- Cut only the floor carpet to avoid damaging the vehicle parts under the slits.



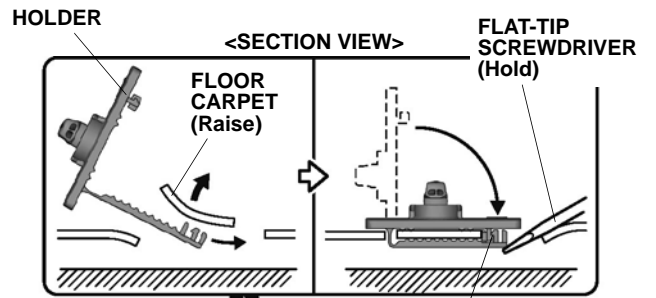
DRIVER'S SEAT
(Slide rearward.)



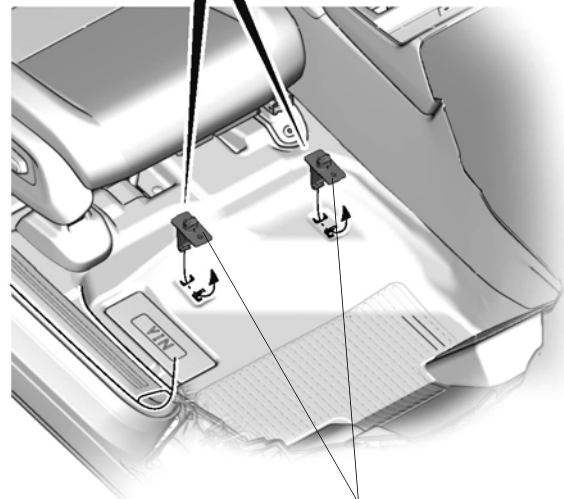
SLITS

QM62309AA

9. Install the holders.



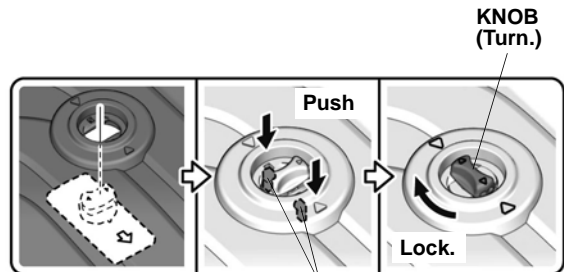
Lock securely.



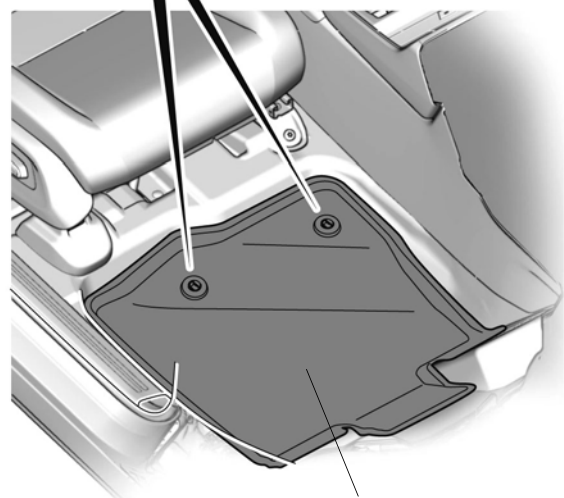
2 HOLDERS

QM62310AA

10. Install the right front all-season mat.



2 RETAINING TABS



RIGHT FRONT
ALL-SEASON MAT

QM62401AA

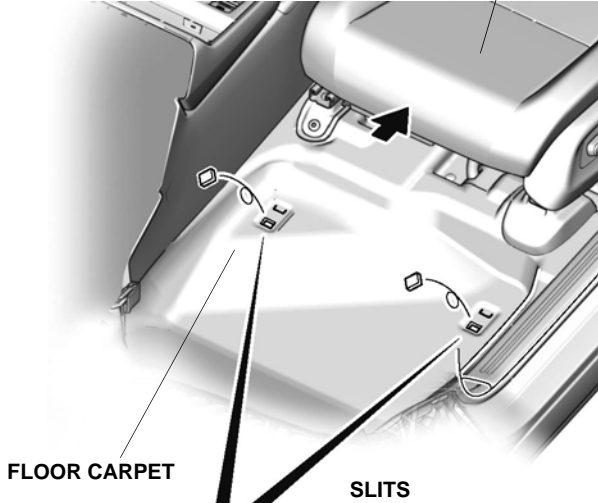
11. Cut the floor carpet.

NOTICE

- Cut only the floor carpet to avoid damaging the vehicle parts under the slits.

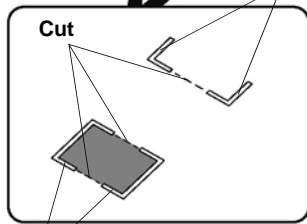


PASSENGER'S SEAT
(Slide rearward.)



FLOOR CARPET

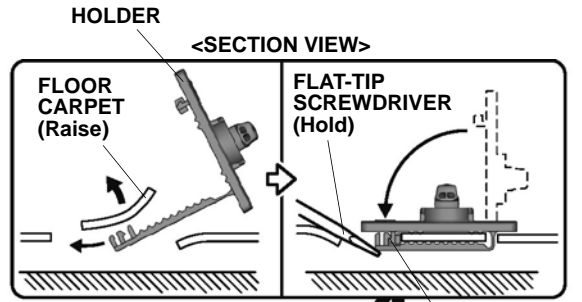
SLITS



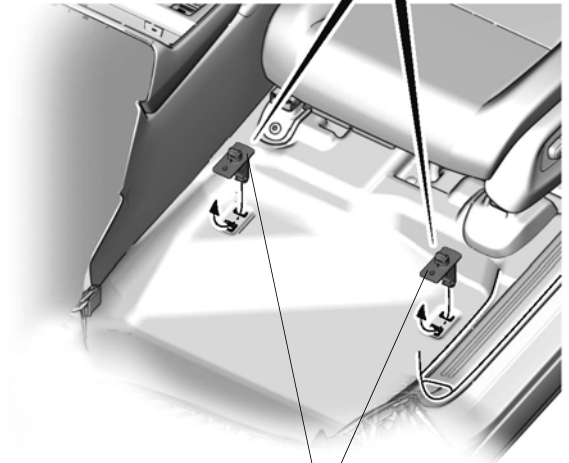
SLITS

QM62312AA

12. Install the holders.



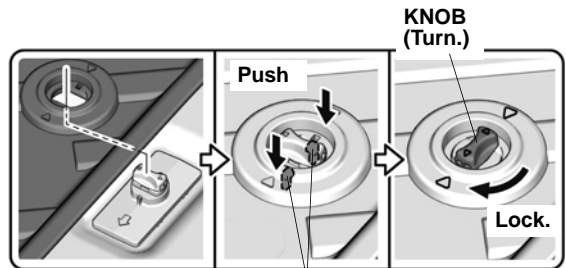
Lock securely.



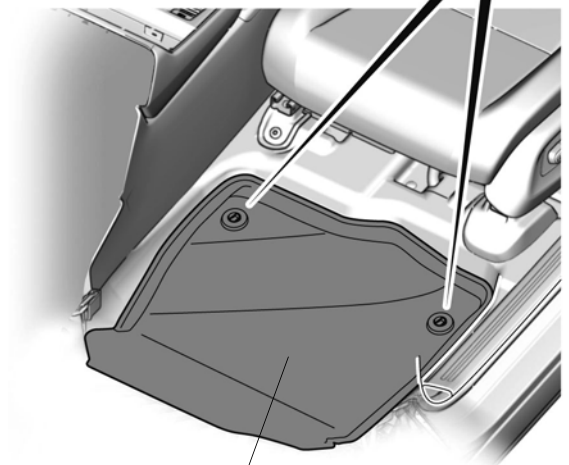
2 HOLDERS

QM62313AA

13. Install the left front all-season mat.



2 RETAINING TABS



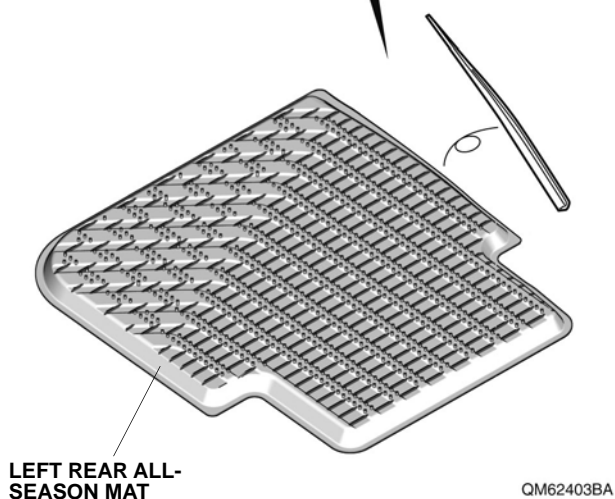
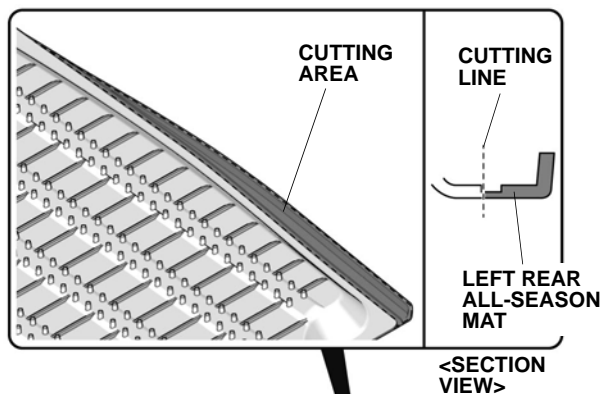
LEFT FRONT ALL-
SEASON MAT

QM62402AA

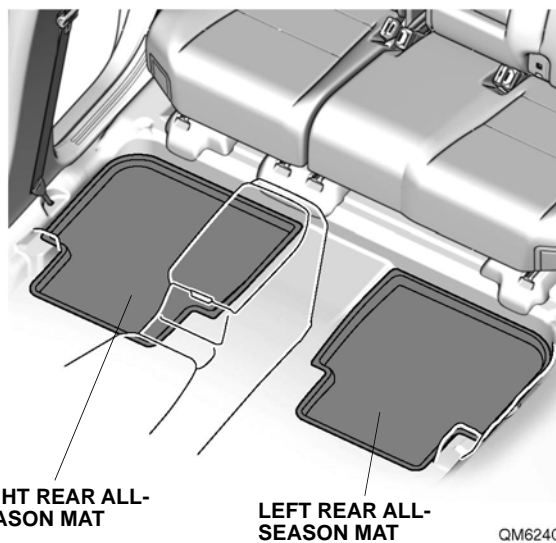
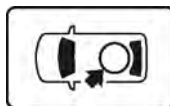
14. Follow the below guidance.

| | |
|-------------------------|------------|
| • Plug-in hybrid models | To step 15 |
| • Hybrid models | To step 16 |

15. Cut the left rear all-season mat.



16. Install the left rear all-season mat and right rear all-season mat.



17. Check that all parts are installed properly.
(End of installation)