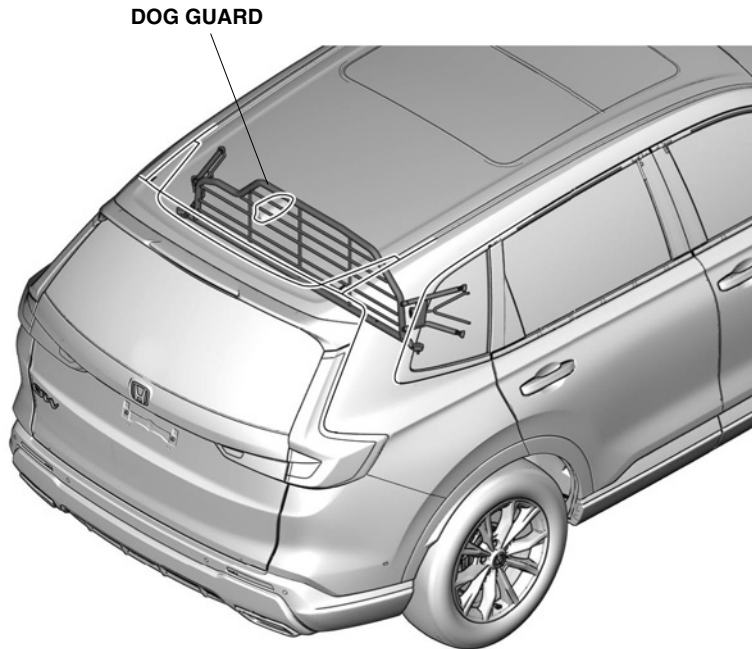


DOG GUARD	<i>CR-V</i>
-----------	-------------

GENERAL VIEW



QM63001BG

FOR YOUR SAFETY (Read carefully)

Introduction of Symbol Messages

- These symbols warn you about the possible hazards and explain how to avoid them. And give you some advices.

⚠ DANGER

You will be killed or seriously hurt if you do not follow the instructions.

⚠ WARNING

You can be killed or seriously hurt if you do not follow the instructions.

⚠ CAUTION

You can be hurt if you do not follow the instructions.

NOTICE

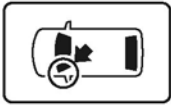
Gives advice to prevent damage to the product.
Gives helpful information or instructions to be followed in using the product.



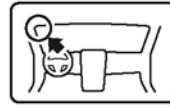
Indicates prohibited actions.

Introduction of Icons

- These icons indicate the working place and the worker's vision.



The place for the vehicle.



The place for the instrument panel.

- These icons indicate the necessary things for your safety and the work.



Wear eye protection.



Wear heavy gloves.



Work with an assistant.



Place the part on a blanket.



Remove any burrs.



Use the touch-up paint and dry.



Keep the parts and give it to the customer.
(Not use)



Press firmly.



Tighten by specified torque.



Work perpendicularly.



Clean with the contact cleaner.

Safety: General

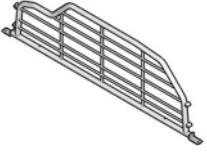
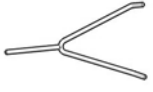
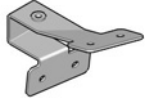



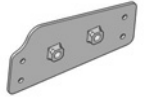
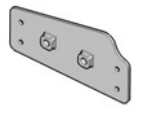
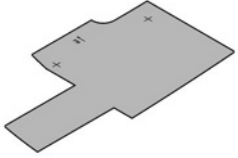
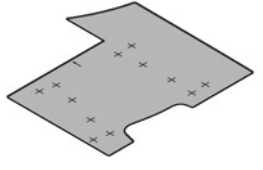

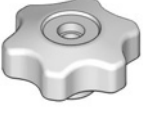




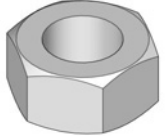



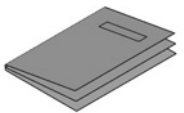
- Observe all safety notes and precautions described in the Shop Manual in addition to those described in this Installation Instructions. Be extremely careful for your safety and safety of others particularly.
- Be careful not to damage the vehicle and the parts.
- The illustrations may differ a little from the actual accessories for the design change of the vehicle.

Safety: For the Accessory

- **Always use the parts and tools specified in the installation instructions.**

PARTS LIST

Dog Guard Kit

Dog guard 	Hooks (2) 	Right bracket A 	Left bracket A 
Right bracket B 	Left bracket B 	Plates A (2) 	Plates B (2) 
Template A 	Template B 	Knobs A (2) 	Knobs B (2) 
Grommets (4) 	Stoppers (4) 	Rivets (16) 	Flange nuts (4) 
Nuts (4) 	Screws (4) 	Short screws (8) 	Washers (4) 
Owner's Manual 			

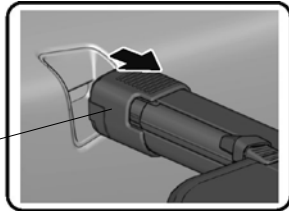
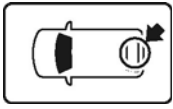
TOOLS AND SUPPLIES REQUIRED

- Ruler
- Tape
- File
- 10 mm and 13 mm Open end wrenches
- Eye protection (safety goggles, face shield, etc.)
- 4 mm and 5 mm Hex wrenches
- Drill
- Hacksaw
- 2 mm, 4 mm, 6 mm, 8 mm, and 10 mm Drill bits
- Masking tape
- Pushpin
- Hand riveter
- 20 mm Cylinder drill bit

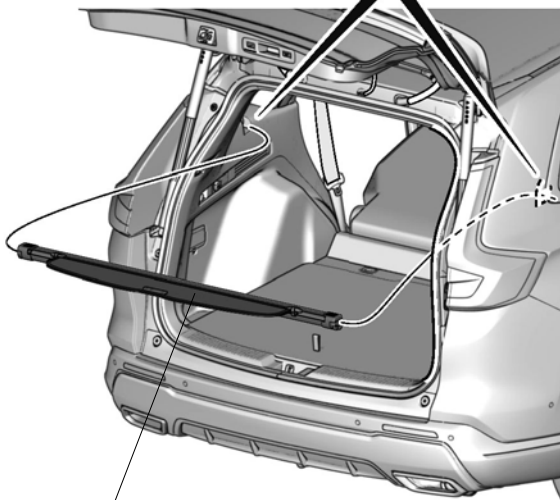
INSTALLATION

Installing the Dog Guard

1. Fold down the left rear seat and right rear seat.
2. Remove the tonneau cover.



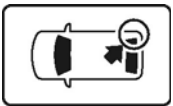
2 TONNEAU COVER HOLDERS (Compress.)



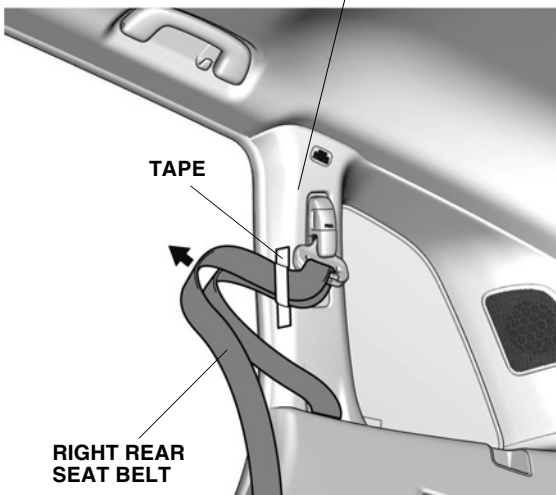
TONNEAU COVER

QM62802AA

3. Secure the right rear seat belt.



RIGHT QUARTER PILLAR GARNISH

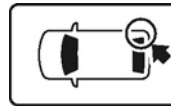


TAPE

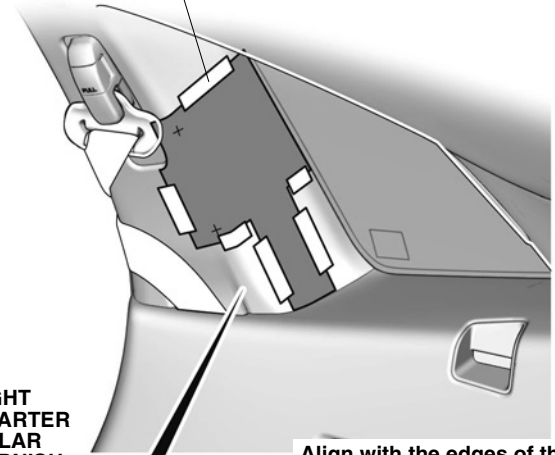
RIGHT REAR SEAT BELT

QM63002AG

4. Secure the template A.

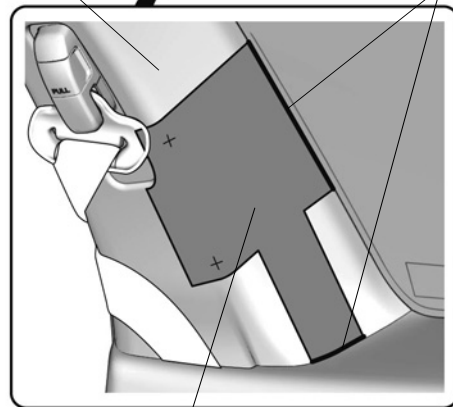


MASKING TAPES



RIGHT QUARTER PILLAR GARNISH

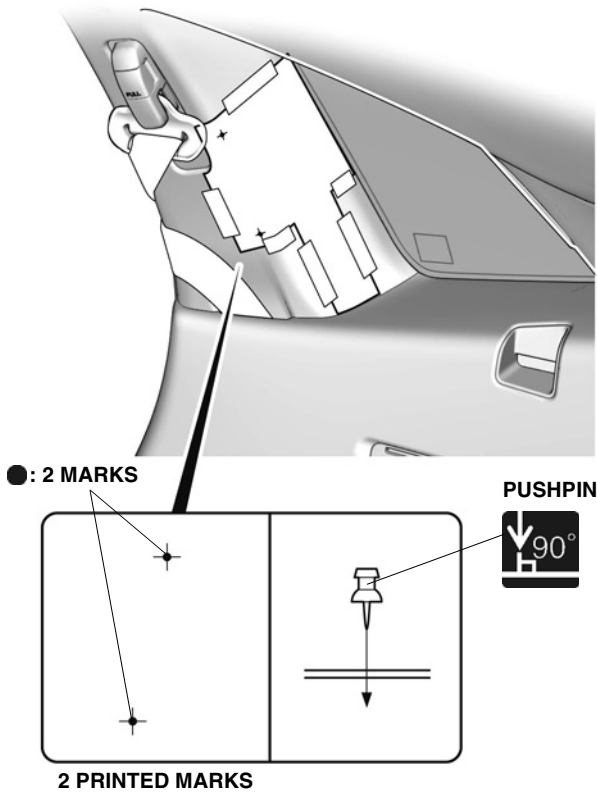
Align with the edges of the right quarter pillar garnish.



TEMPLATE A

QM63003AG

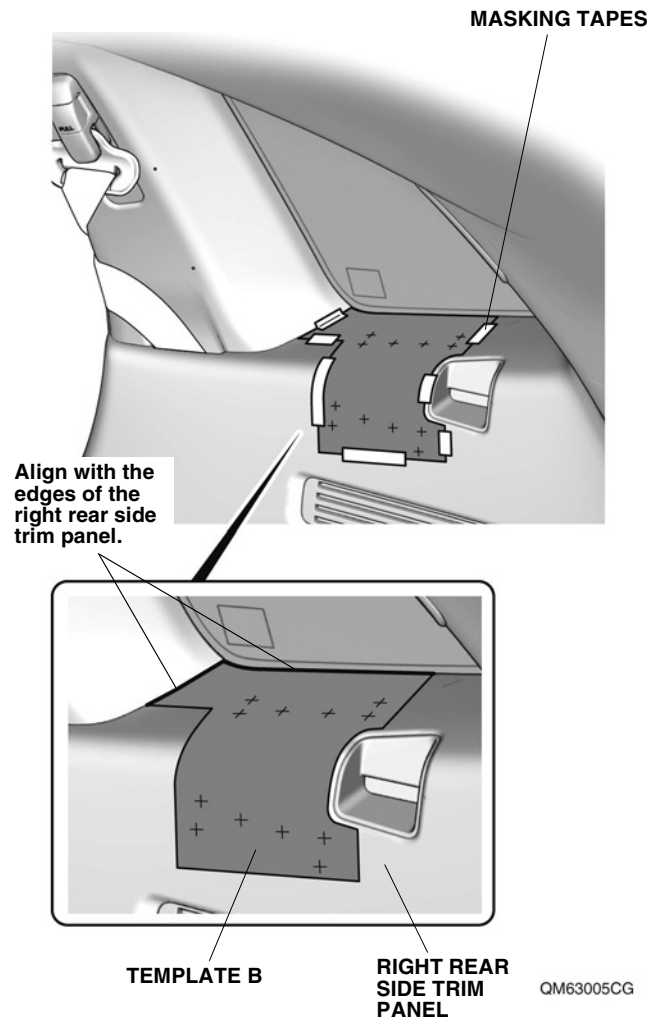
5. Pierce the right quarter pillar garnish.



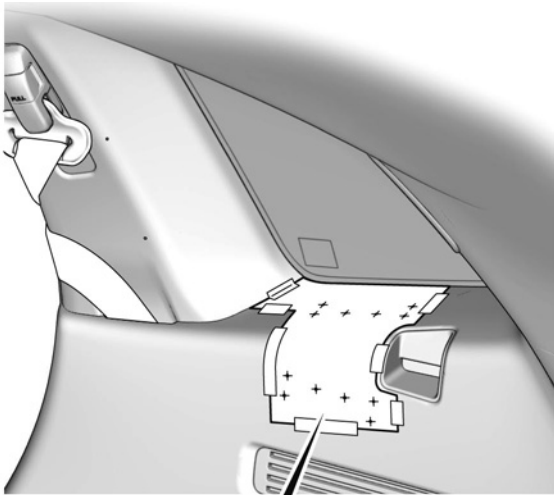
6. Remove the template A.

QM63004AG

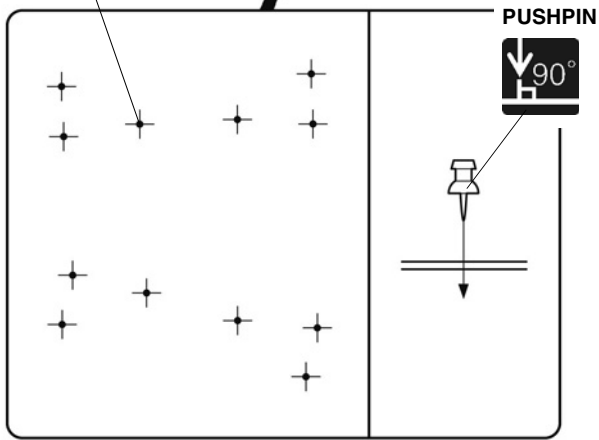
7. Secure the template B.



8. Pierce the right rear side trim panel.



●: 12 MARKS



12 PRINTED MARKS

QM63006CG

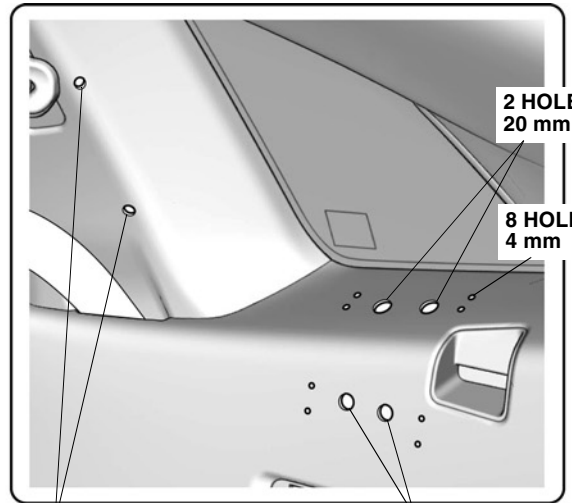
9. Remove the template B.
10. Drill the right rear side trim panel.

NOTICE

- Make sure to drill the correct positions.

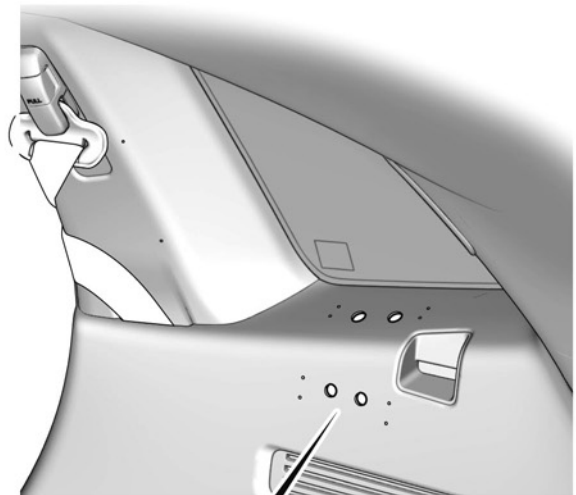


<FINAL DRILLED HOLES>

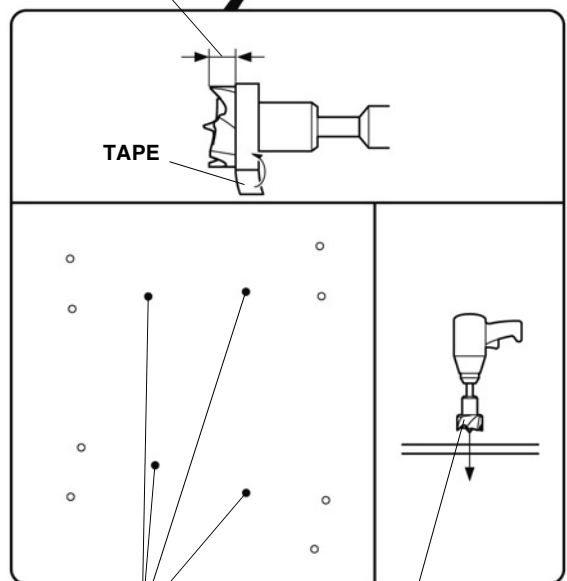


2 HOLES, 10 mm

2 HOLES, 20 mm



10 mm
(0.39 in.)



●: 4 MARKS

CYLINDER
DRILL BIT
20 mm

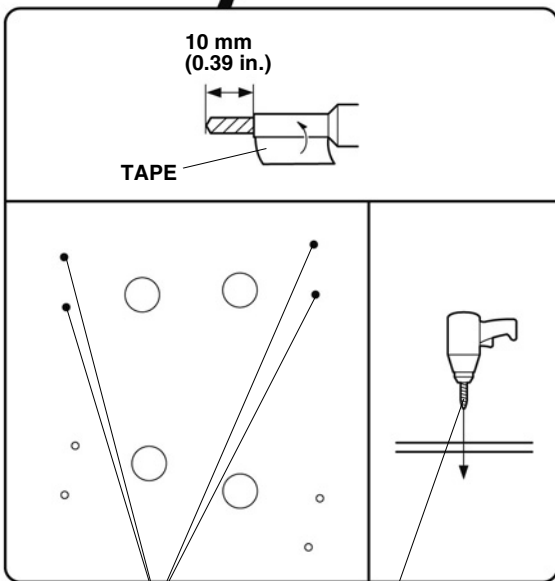
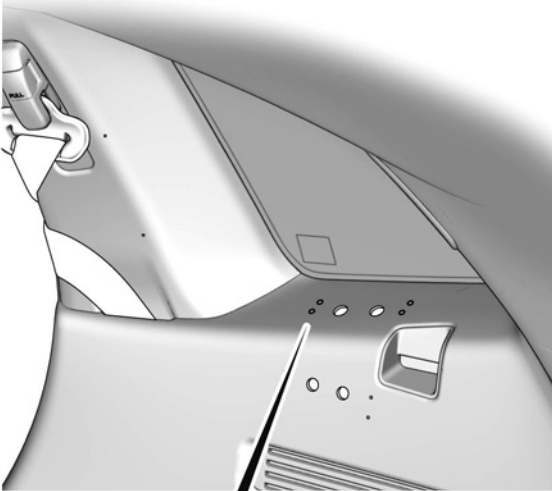
QN30808AG



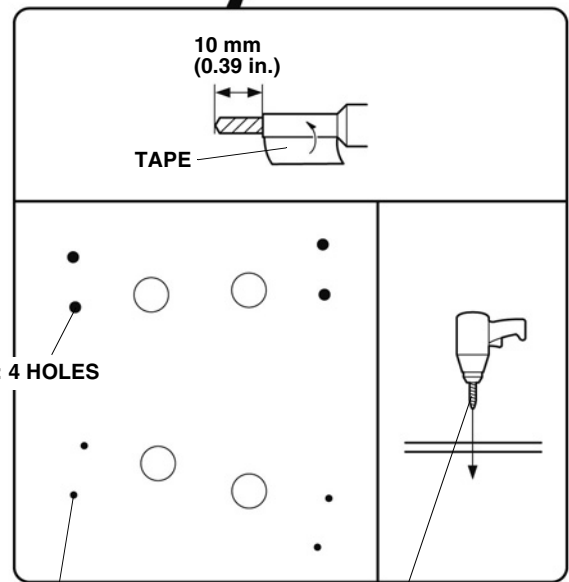
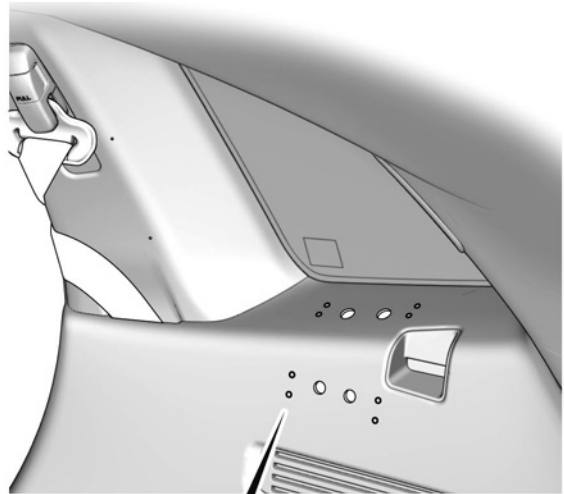
11. Drill the right rear side trim panel.

NOTICE

- Make sure to drill the correct positions.



12. Drill the right rear side trim panel.



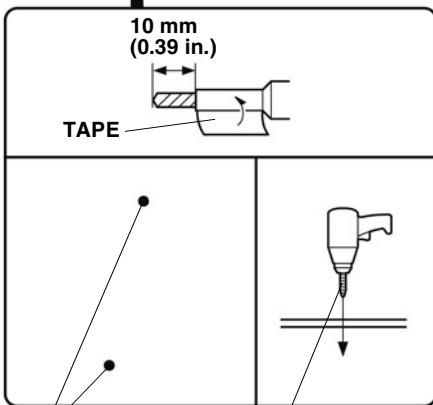
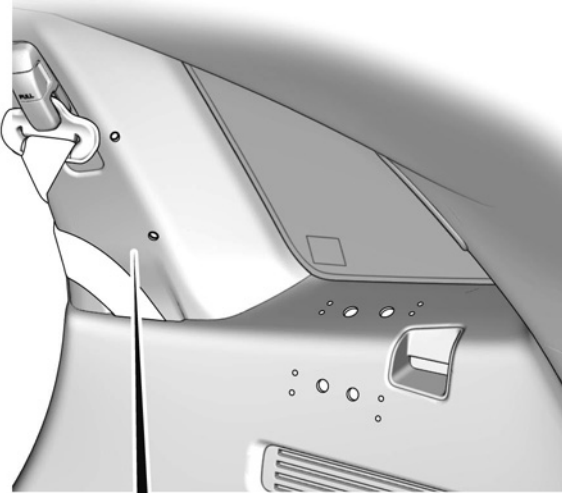
DRILL BIT
4 mm QM63007CG



13. Drill the right quarter pillar garnish.

NOTICE

- Make sure to drill the correct positions.



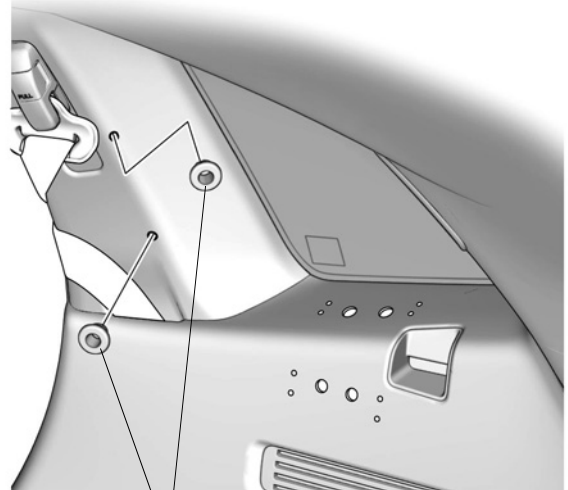
●: 2 HOLES

DRILL BITS
 4 mm →
 6 mm →
 8 mm →
 10 mm



QM63008CG

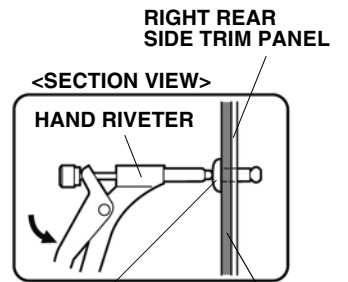
14. Install the grommets.



2 GROMMETS

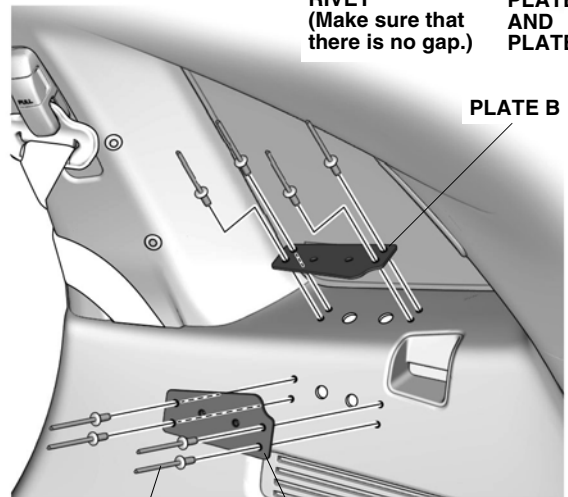
QM63010CG

15. Install the plate A and plate B.



RIVET
 (Make sure that there is no gap.)

PLATE A AND PLATE B

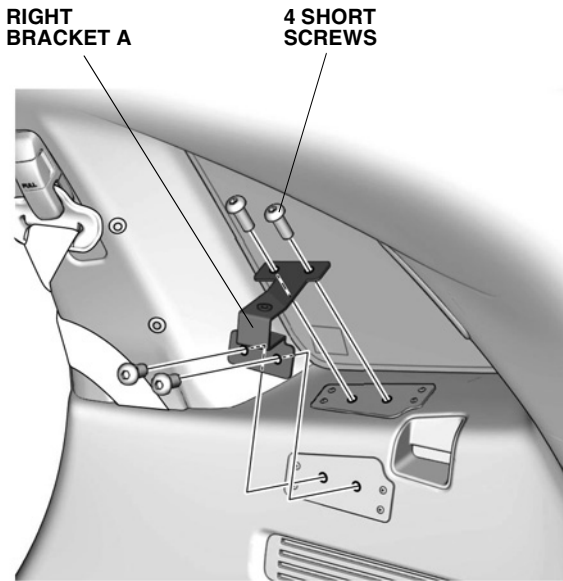


8 RIVETS

PLATE A

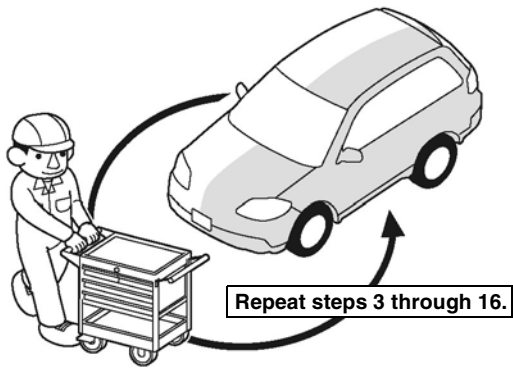
QM63011CG

16. Install the right bracket A.



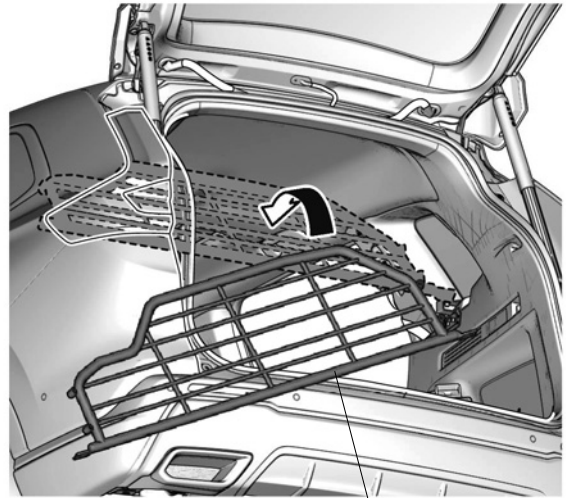
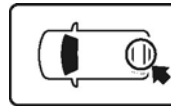
QM63012BG

17. Flip the templates, and repeat the same procedures on the other side.



Q9D1013AM

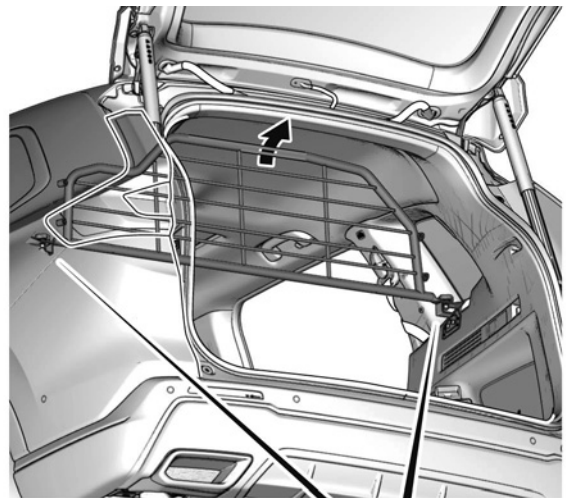
18. Set the dog guard.



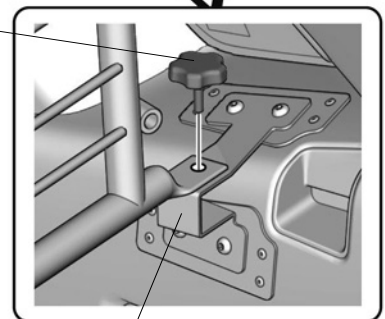
QM70101AG

19. Set the dog guard.

20. Loosely install the dog guard.

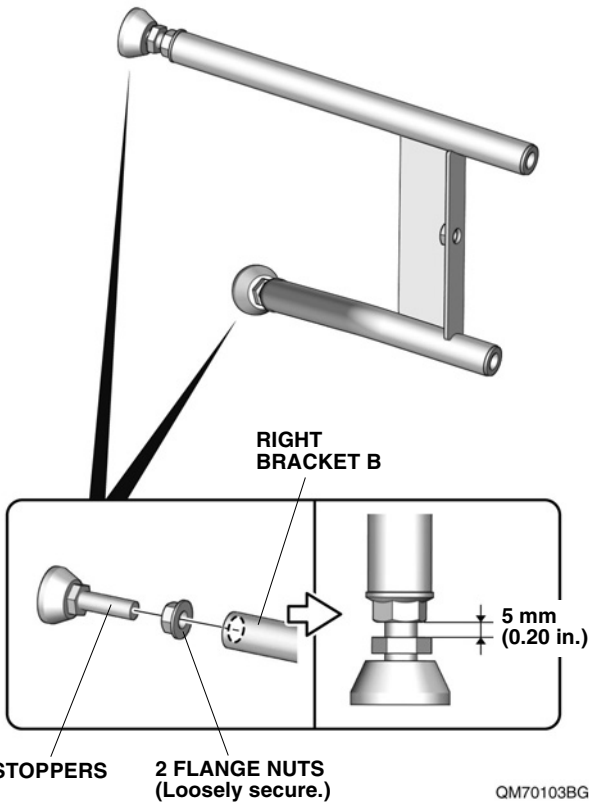


2 KNOBS A
(Loosely
secure.)

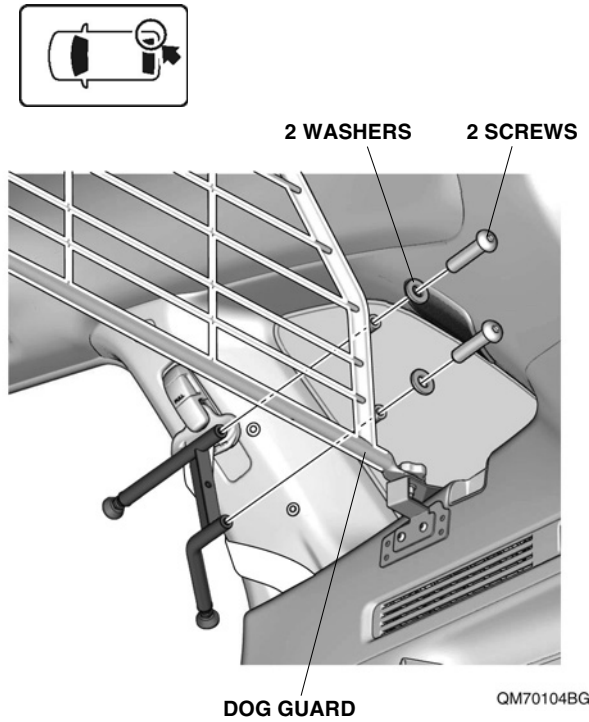


QM70102BG

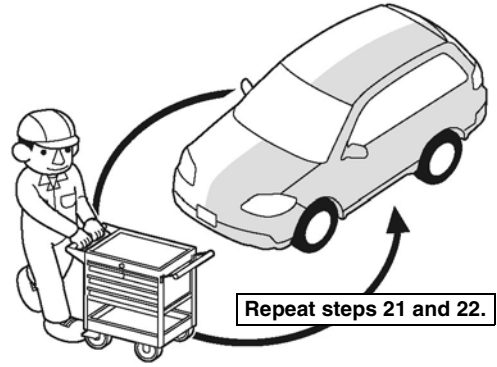
21. Loosely install the stoppers.



22. Install the right bracket.



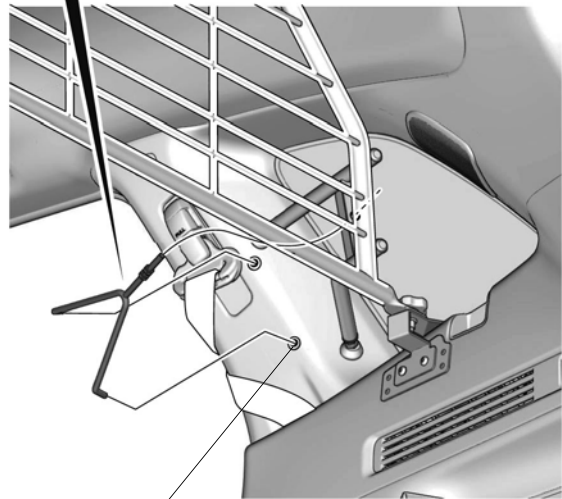
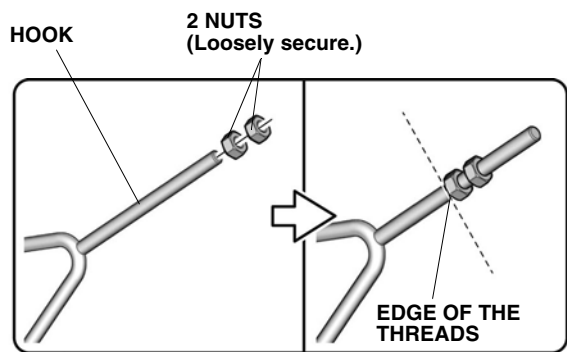
23. Repeat the same procedures on the other side.



Q9D1013AM

24. Loosely secure the nuts.

25. Install the hook.

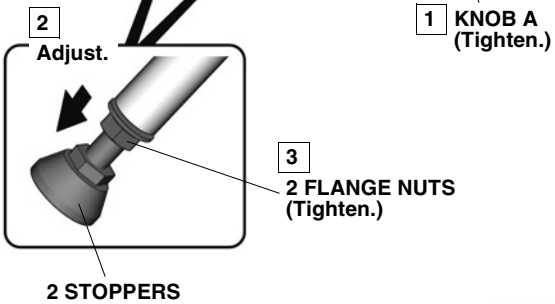
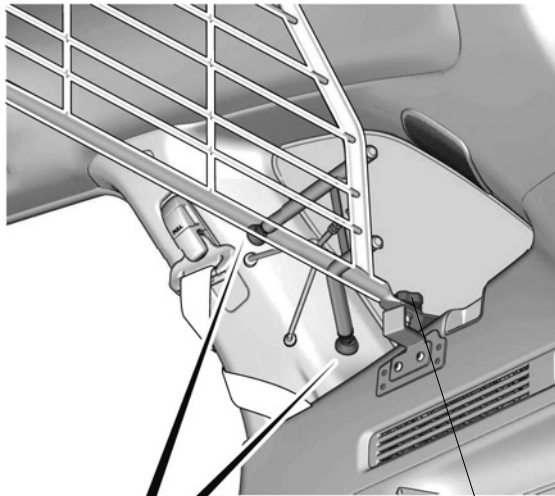


QM70105CG

26. Secure the dog guard.

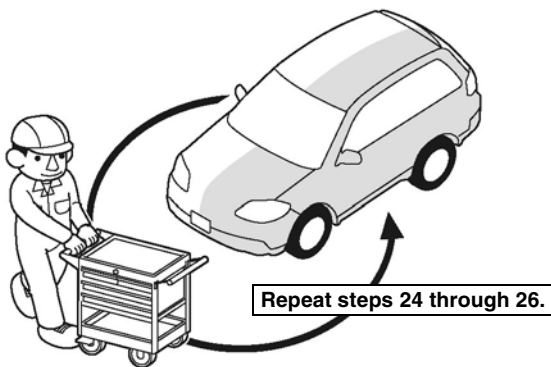
NOTICE

- Secure in the order shown.



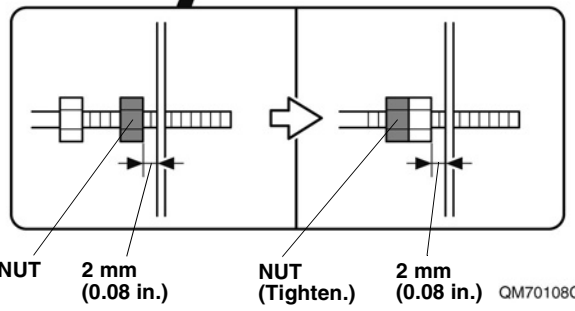
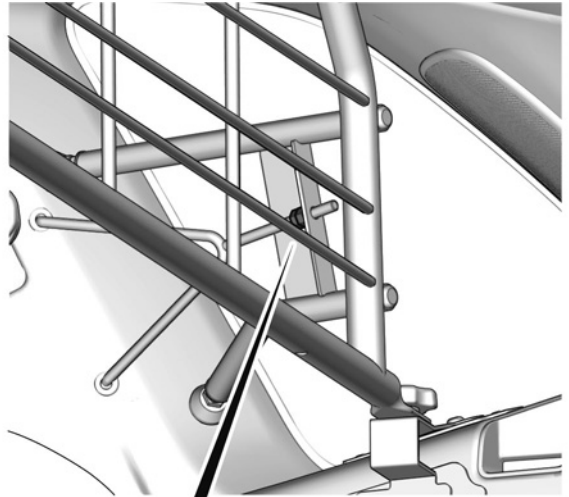
QM70106CG

27. Repeat the same procedures on the other side.

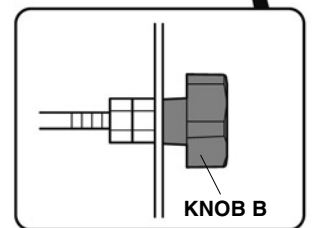
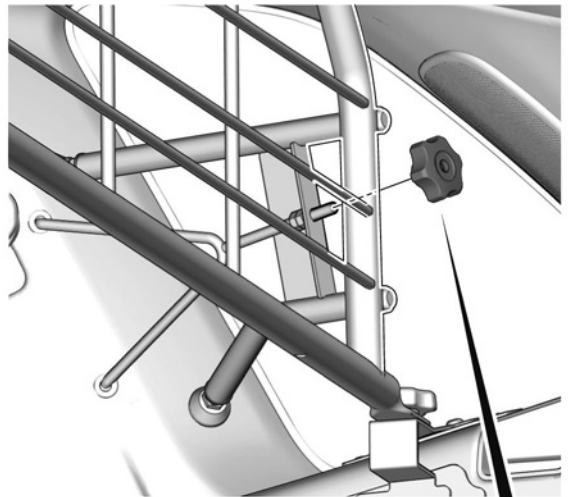


Q9D1013AM

28. Adjust the nuts.



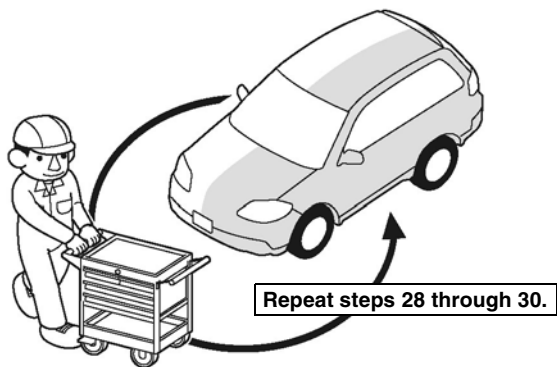
29. Install the knob B.



QM70107CG

30. Release the right rear seat belt.

31. Repeat the same procedures on the other side.



Q9D1013AM

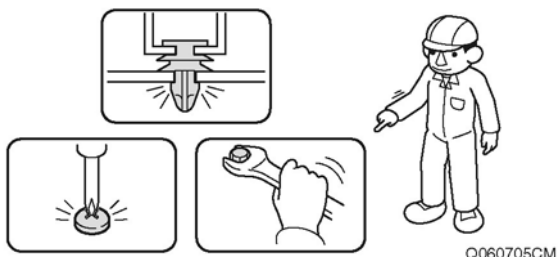
32. Reinstall the tonneau cover.

Check After Installation

33. Check that all parts are installed properly.

NOTICE

- Make sure to check that the screws, knobs and stoppers are secured properly.
- Make sure that the dog guard is properly installed.



Please pass your customer the following things.

- Owner's Manual