



CARGO TRAY

OWNER'S MANUAL


ENGLISH

Thank you for purchasing a Honda product.

Please read this Owner's Manual before using the Honda product and keep it in the glove box for future reference.

- This product is designed to be used exclusively with Honda vehicles. Honda is not responsible for the product installed in other than applicable Honda vehicles.
For information on the applicable models, please contact your Honda dealer.
- The Owner's Manual should be considered a permanent part of your vehicle. It should remain with the vehicle at all times and stay with the vehicle if it is sold.

SPECIAL MESSAGES

- Honda provides many important safety messages in this manual. For your safety and safety of others, pay special attention to all warnings preceded by this alert symbol .
Failure to follow the warnings contained in this manual can result in serious injury or accident.

DANGER

- Indicates that severe personal injury or death will result if instructions are not followed.

WARNING

- Indicates a strong possibility that serious injury or death may result if instructions are not followed.

CAUTION

- Indicates a possibility that minor personal injury may result if instructions are not followed.

SYMBOLS

- If instructions are preceded by the following symbols, they will give helpful advice or information.

ADVICE

- Gives advice to prevent damage to the product.
- Gives advice to handle emergency situation.

INFORMATION

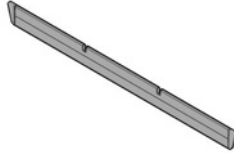
Gives helpful information or instructions to be followed in using the product.

KIT

Cargo tray



Long divider



2 Short dividers



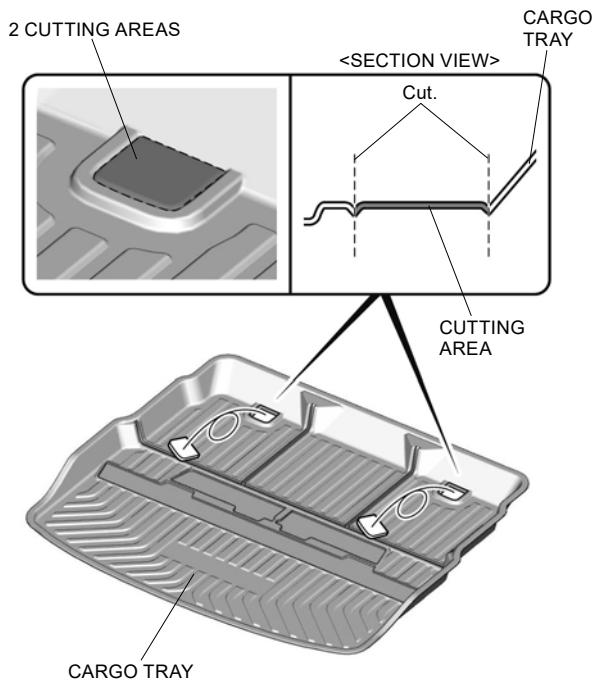
TOOLS AND SUPPLIES REQUIRED

- Utility knife
- File

INSTALLATION

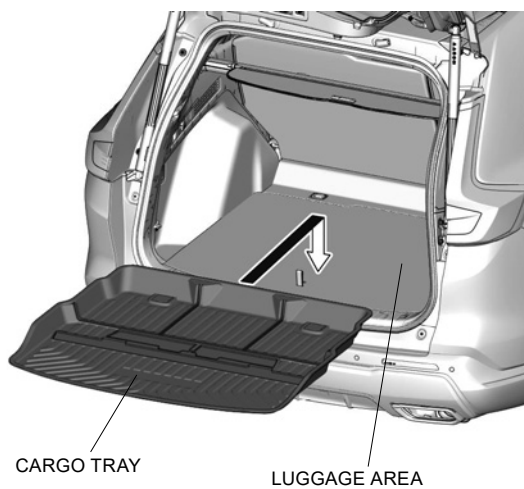
When Using Tie-down Hooks

- Using a utility knife, cut out the cargo tray. Remove any burrs.



Installing the Cargo Tray

- Open the tailgate, place the cargo tray in the luggage area.



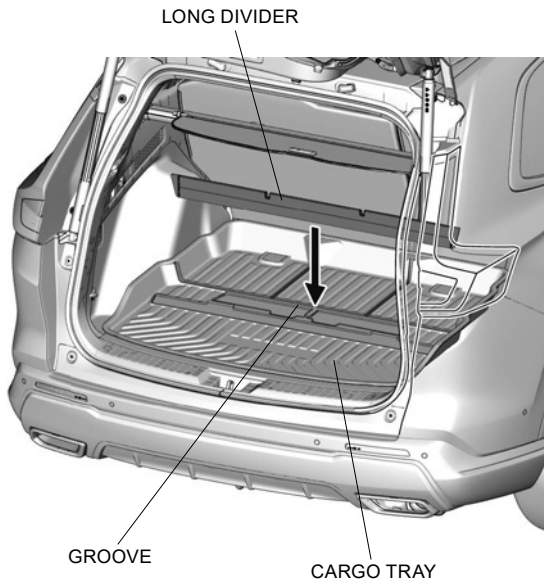
Use and Care

CAUTION

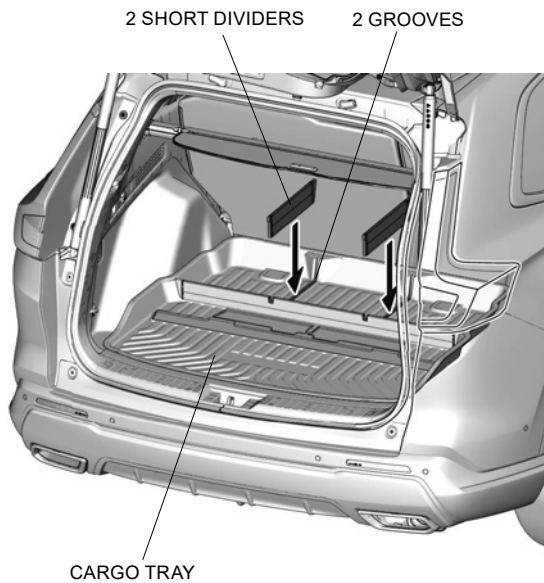
- Do not leave the cargo tray close to fire, or let it come into contact with knives or other sharp objects. This will cause damage to the cargo tray.

Installing the Dividers

1. Position the long divider in the groove in the area shown.

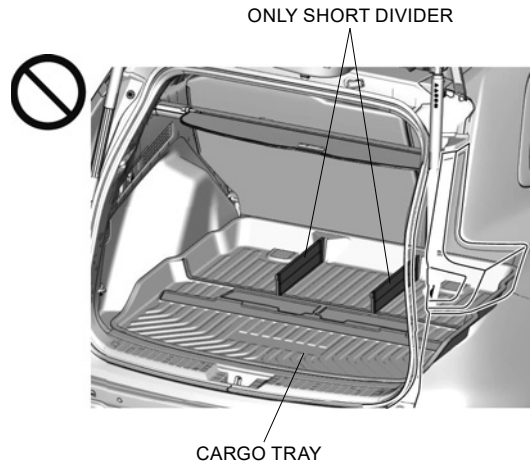


2. Position the short dividers in the grooves as necessary.



ADVICE

- Do not use only the short dividers. In combination with the long divider, the short dividers can fit to the cargo tray.



Safe Keeping

- To use the entire area of the cargo tray, the dividers can be positioned in the relevant compartments. Push them into position so that they do not move around the luggage area.

