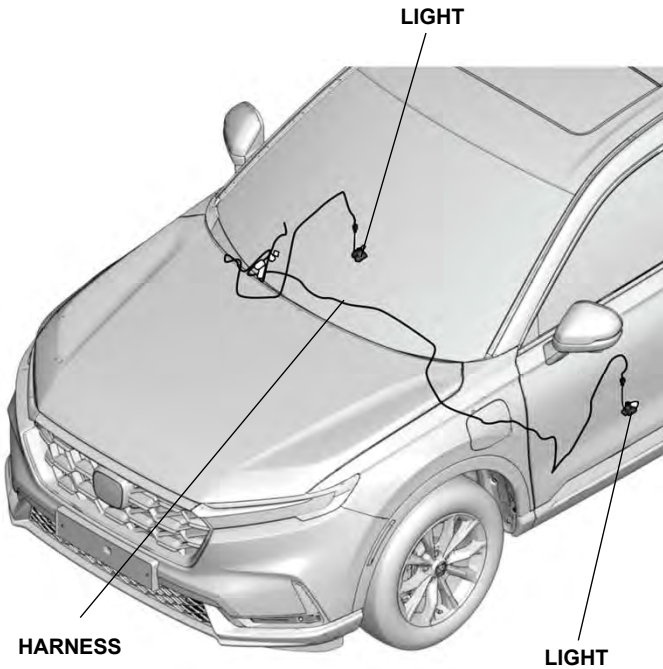


PATTERN PROJECTOR

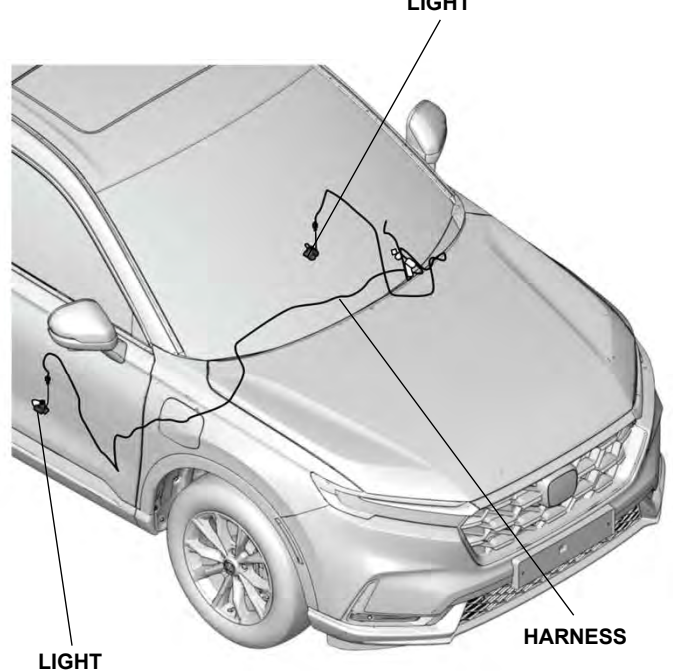
CR-V

GENERAL VIEW

<RHD models>



<LHD models>



FOR YOUR SAFETY (Read carefully)

Introduction of Symbol Messages

- These symbols warn you about the possible hazards and explain how to avoid them. And give you some advices.

⚠ DANGER

You will be killed or seriously hurt if you do not follow the instructions.

⚠ WARNING

You can be killed or seriously hurt if you do not follow the instructions.

⚠ CAUTION

You can be hurt if you do not follow the instructions.

NOTICE

Gives advice to prevent damage to the product.
Gives helpful information or instructions to be followed in using the product.



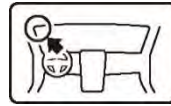
Indicates prohibited actions.

Introduction of Icons

- These icons indicate the working place and the worker's vision.



The place for the vehicle.



The place for the instrument panel.

- These icons indicate the necessary things for your safety and the work.



Wear eye protection.



Wear heavy gloves.



Work with an assistant.



Place the part on a blanket.



Remove any burrs.



Use the touch-up paint and dry.



Keep the parts and give it to the customer.
(Not use.)



Press firmly.



Tighten by specified torque.

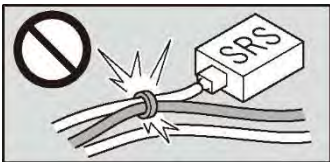


Work perpendicularly.



Clean with the contact cleaner.

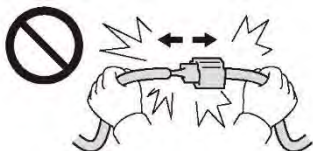
Wire Harness Routing Precaution



Do not clamp the accessory harness and SRS harness together.



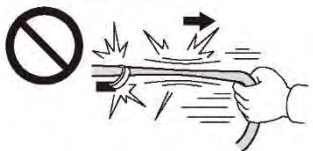
Connect the connectors and terminals securely until they lock.



Do not pull the harness to disconnect the connectors.



Reinstall the connectors to the original positions if they are removed.



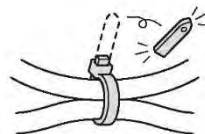
Do not pull the harness strongly.



Secure the accessory harness to the specified position, not to hang down.



Do not pinch the harness with the parts.



Cut off the excess of the wire ties.

Safety: General

- Observe all safety notes and precautions described in the Shop Manual in addition to those described in this Installation Instruction. Be extremely careful for your safety and safety of others particularly.
- Be careful not to damage the vehicle and the parts.
- Be extremely careful to the handling of the retaining tabs and clips particularly.
- Note the locations of the parts before removing them so that they can be reinstalled in their original positions properly.
- The illustrations may differ a little from the actual accessories for the design change of the vehicle.

Safety: For Electric Parts




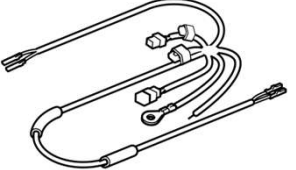






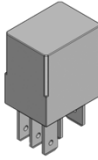


- Do not perform the installation of the accessories with having connected negative cable of the battery.

Safety: For the Accessory

- Always use the parts and tools specified in the installation instructions.
- Do not perform installation work and attaching work at the place where gets the direct rays of the sun or the dust appears.
- Always install these accessories at the ambient air temperature 15° C (60° F) or above.
- Heat the accessories and bonding surfaces if the ambient air temperature is below 15°C (60°F).
- Attach the accessories by pressing it firmly with the palm of your hand. Be careful not to damage the accessories and the vehicle parts.
- Carefully place the double-sided adhesive tape on the proper position. Once the double-sided adhesive tape touches the surface, do not try to detach and relocate it. If you attempt to move after it touches the surface, you will damage the part before the adhesive will give way.

PARTS LIST

Pattern Projector Kit (RHD/LHD)

<p>Right pattern light Identification mark (R)</p> 	<p>Left pattern light Identification mark (L)</p> 	<p>Brackets (2)</p> 	<p>Harness</p> 
<p>Template</p> 	<p>Wire ties (28)</p> 	<p>Self-tapping screws (4)</p> 	<p>Urethane tapes (3)</p> 
<p>Joint connector cover</p> 	<p>Joint connector case</p> 	<p>Relay</p> 	<p>Bolts (4) Replace the bolts when reinstalling the airbag cover.</p> 
<p>Ground bolt</p> 			

TOOLS AND SUPPLIES REQUIRED

- Phillips screwdriver
- Masking tape
- Scissors
- Long-nose pliers
- Shop towel
- Drill
- Steel wire
- Eye protection (face shield, safety goggles, etc.)
- 10 mm Open end wrench
- Tape
- Utility knife
- Nippers
- Push pin
- 3 mm and 5 mm Drill bits
- Electrical tape
- Ruler
- Felt-tip pen
- Handy remover
- Contact cleaner
- File
- 20 mm Hole saw
- Flat-tip screwdriver

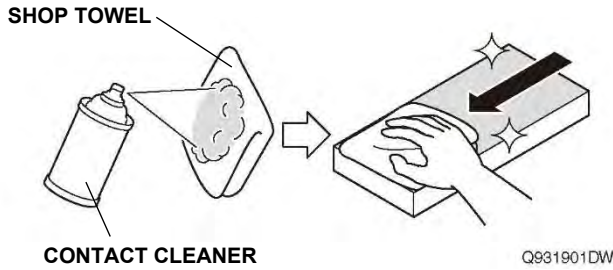
INSTALLATION

How to Use the Contact Cleaner

- Using contact cleaner on a shop towel, thoroughly clean the areas where the accessories will be attached.

NOTICE

- Always use the contact cleaner.
- Do not apply the cleaner to the object of the work directly.
- Completely dry the cleaned areas before attachment work.



1. Follow the below guidance.

- RHD Model

To Step 2

- LHD Model

To Step 96

Removing the Vehicle parts (RHD models)

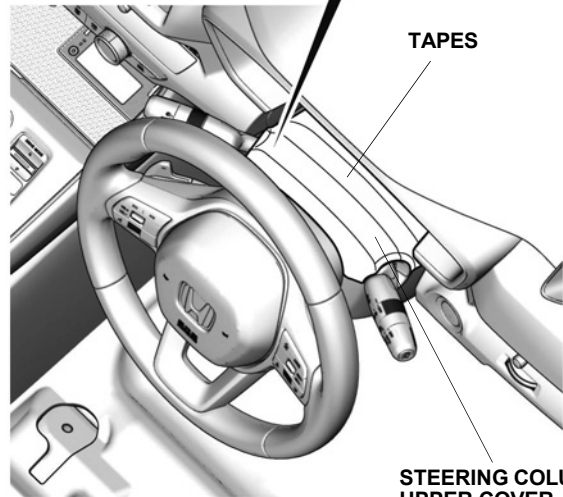
2. Fix the tilt lever of the column in the lowest position the telescopic in the position that is pulled most.
3. Attach the tapes to protect the vehicle.

NOTICE

- Do not remove the tapes until after the reinstallation.



STEERING WHEEL



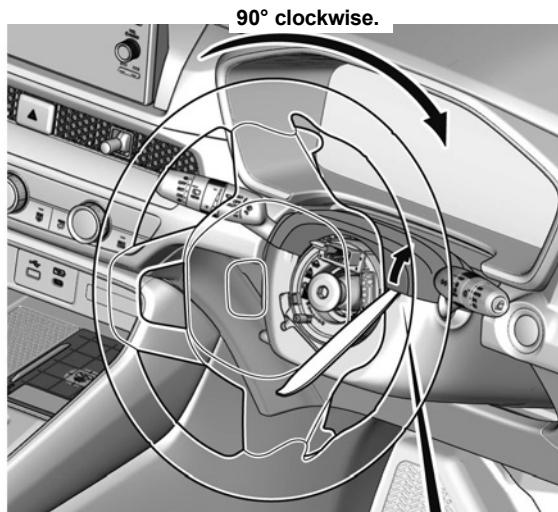
STEERING COLUMN UPPER COVER

QM70802AG

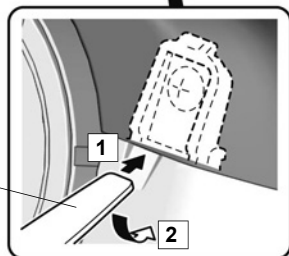
4. Turn the steering wheel 90° clockwise.
5. Release the right side of the steering column upper cover.

NOTICE

- Release in the order shown.



HANDY REMOVER



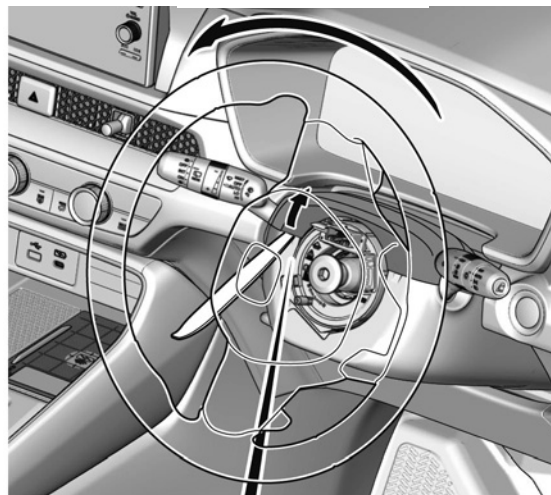
QM70803AG

6. Turn the steering wheel 180° counterclockwise.
7. Release the left side of the steering column upper cover.

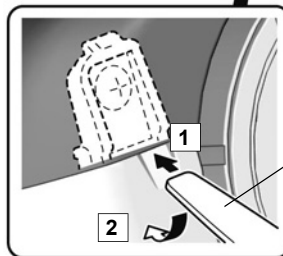
NOTICE

- Release in the order shown.

180° counterclockwise.



HANDY REMOVER

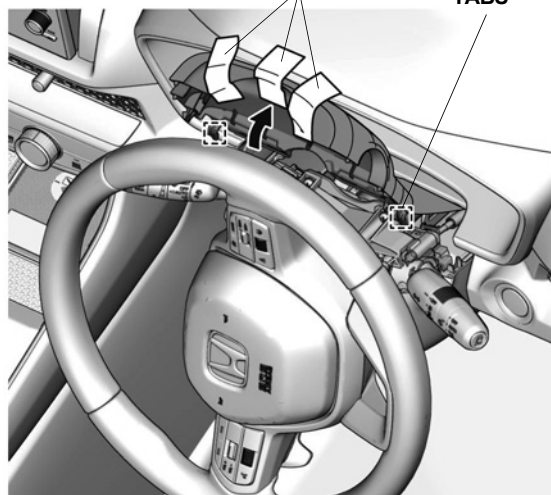


QM70804AG

8. Release the steering column upper cover.
9. Secure the steering column upper cover.

TAPES

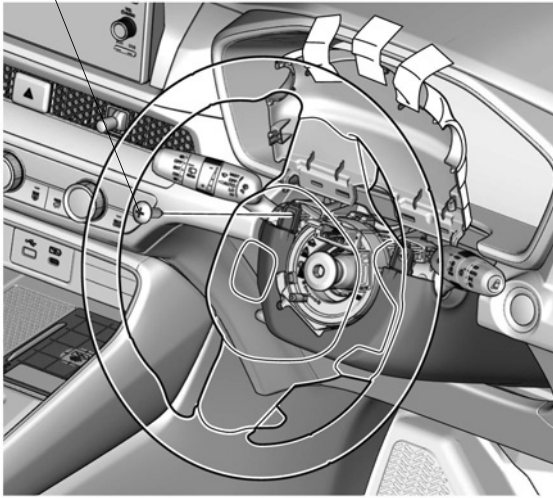
2 RETAINING TABS



QM70805AG

- Remove the self-tapping screw.

**SELF-TAPPING
SCREW**



QM70806AG

- Turn the steering wheel 180° clockwise.
- Remove the self-tapping screw.

180° clockwise.



**SELF-TAPPING
SCREW**

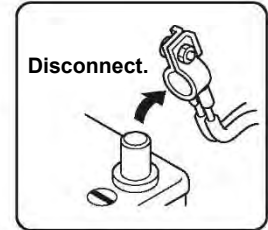
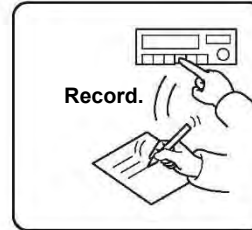
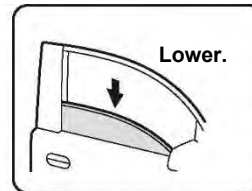
QM70807AG

Disconnecting the Battery Cable

- Perform the works before disconnecting the negative cable from the battery as shown below.
- Make sure if you have the anti-theft code for the audio/navigation system. Record some settings of the vehicle if necessary.
- Disconnect the negative cable from the battery.

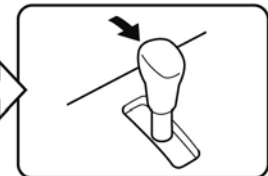
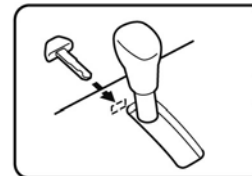
NOTICE

- For Hybrid vehicle, make sure not to disconnect the negative cable from the battery three minutes after turning the engine switch to OFF.



QCD0502BM

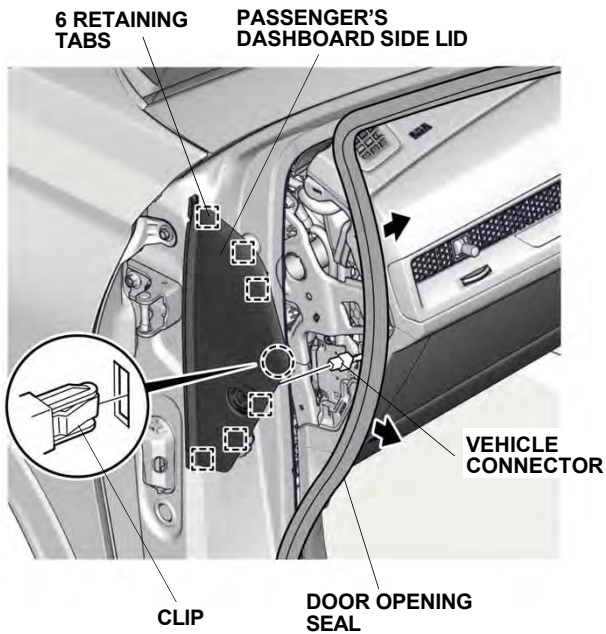
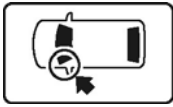
- Move the shift lever to the D position.



QM22301AB

Removing the Vehicle parts

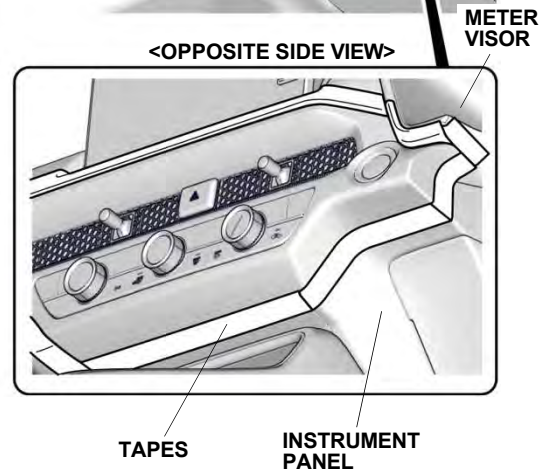
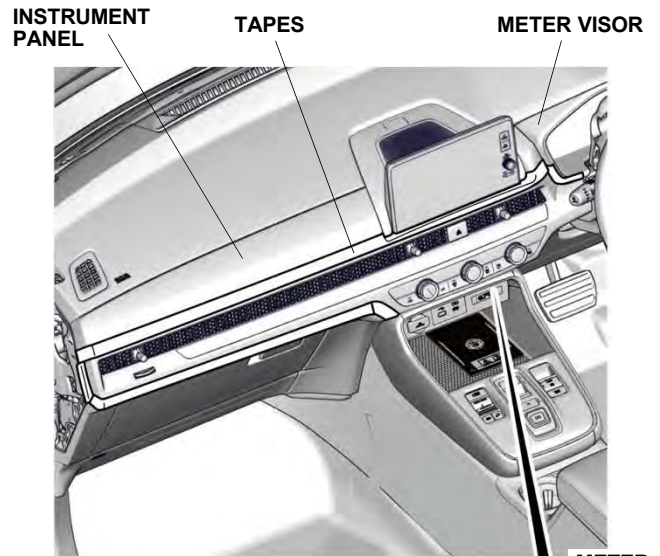
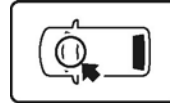
17. Remove the passenger's dashboard side lid.



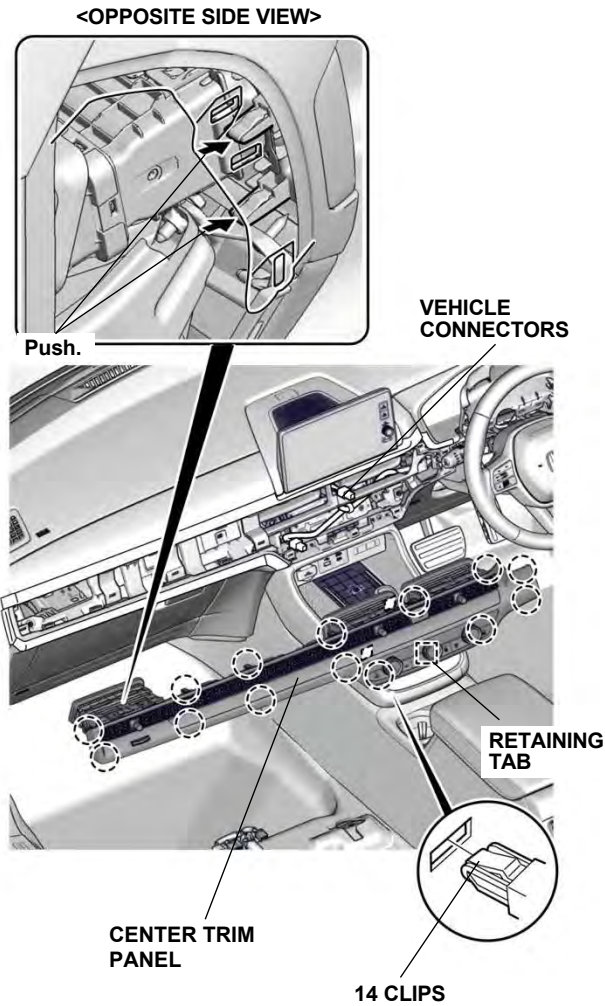
18. Attach the tapes to protect the vehicle.

NOTICE

- Do not remove the tapes until after the reinstallation.



19. Remove the center trim panel.



20. Attach the tapes to protect the vehicle.

NOTICE

- Do not remove the tapes until after the reinstallation.

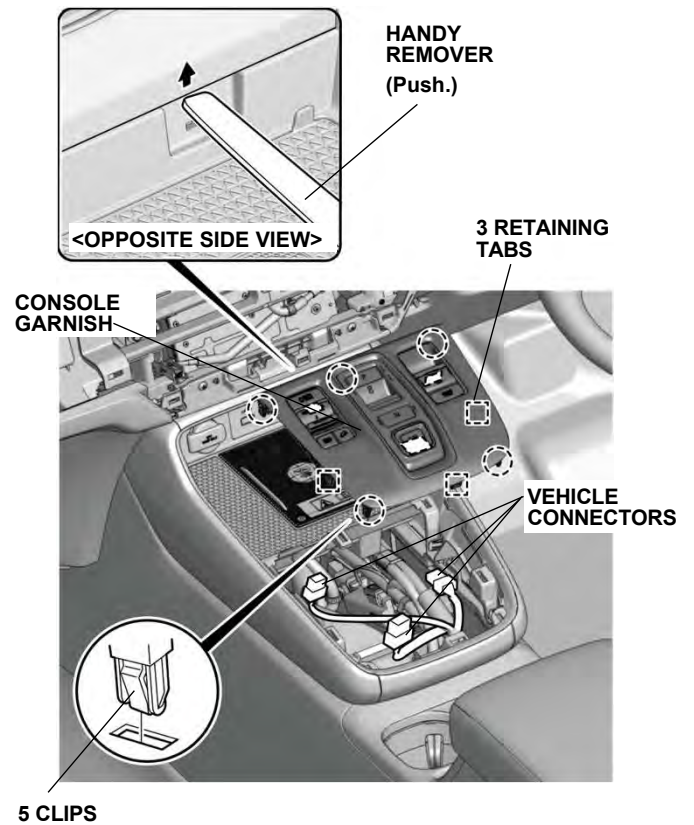


21. Release the console garnish.

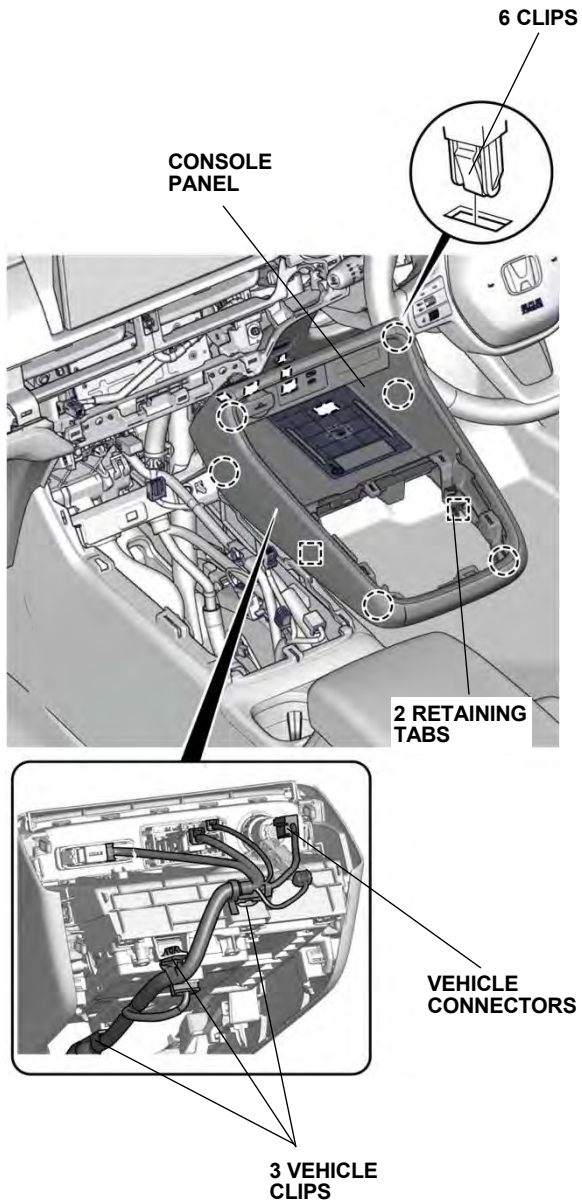
22. Remove the console garnish.

NOTICE

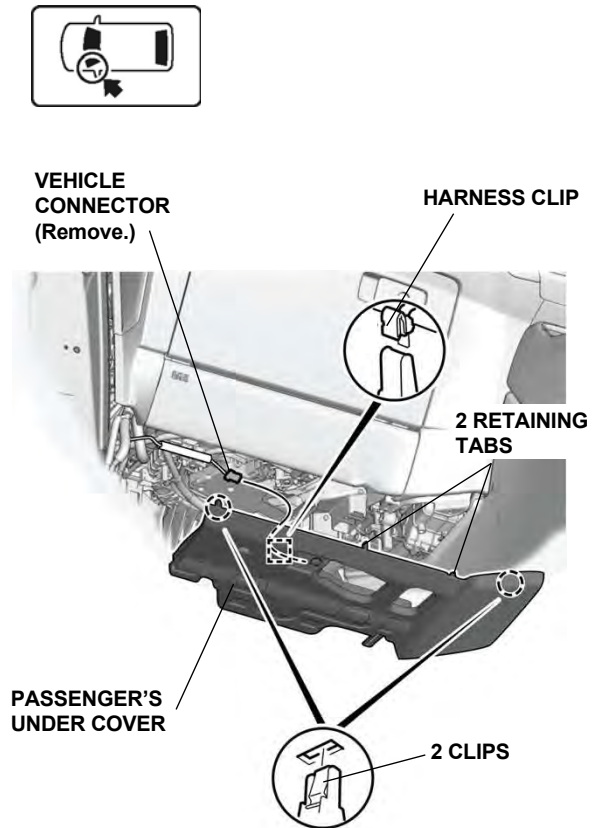
- Release the retaining tabs in order.



23. Remove the console panel.



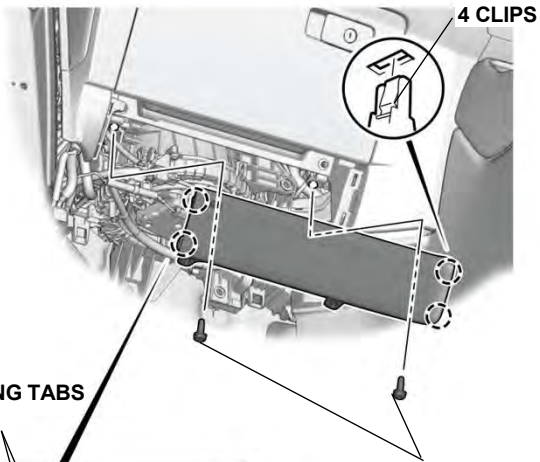
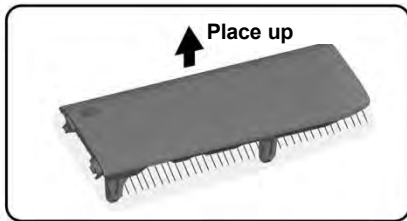
24. Remove the passenger's under cover.



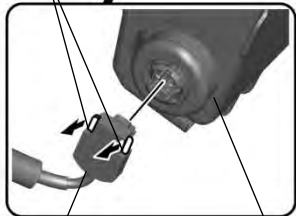
25. Remove the passenger's knee airbag.

⚠ CAUTION

- Be careful not to drop or hit other objects while removing the airbag.
- Please place the airbag in a safe place with the top up as shown in the illustration.
- When restoring the airbag, be sure to replace it with the bolt provided in accessories kit.
- Make sure to connect the AIRBAG switch connector before re-install the passenger's dashboard side lid.



2 LOCKING TABS
(Pull up.)



VEHICLE CONNECTOR

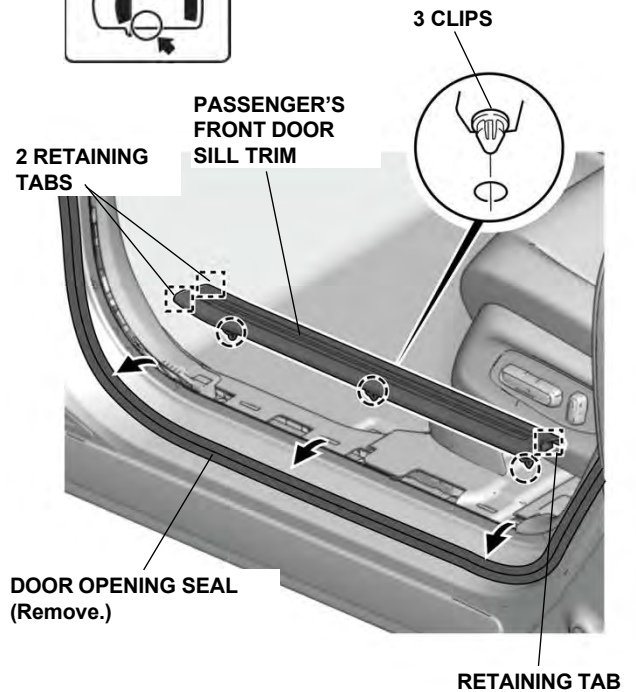
PASSENGER'S KNEE AIRBAG

2 BOLTS

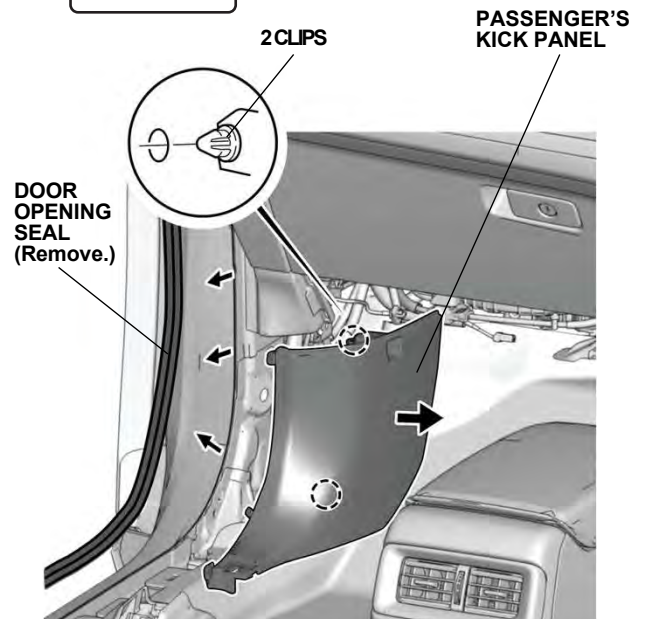
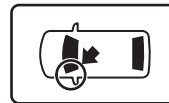


Not reusable,
please use
accessories for
replacement.

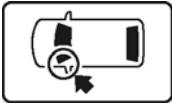
26. Remove the passenger's front door sill trim.



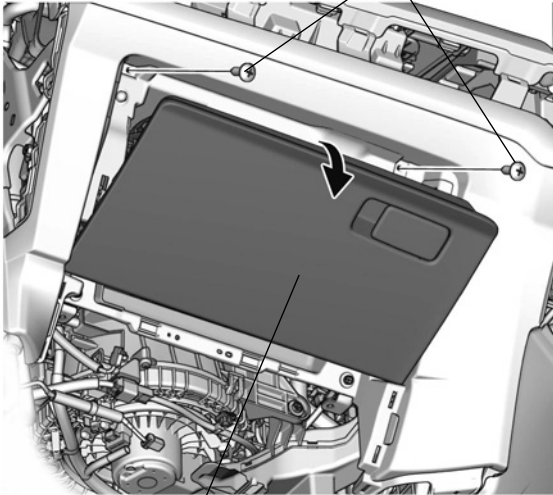
27. Remove the passenger's kick panel.



- 28. Open the glove box.
- 29. Remove the self-tapping screws.



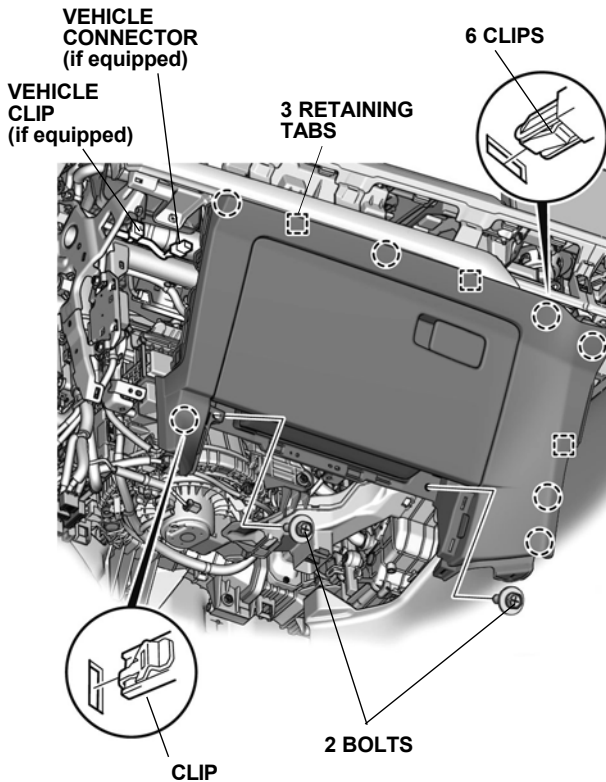
2 SELF-TAPPING SCREWS



GLOVE BOX

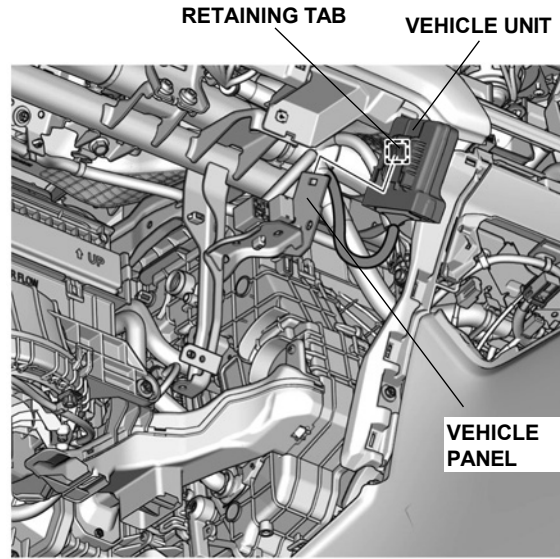
QM70816AG

- 30. Close the glove box.
- 31. Remove the glove box.



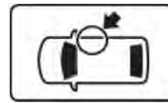
QM70817AG

- 32. Release the vehicle unit.

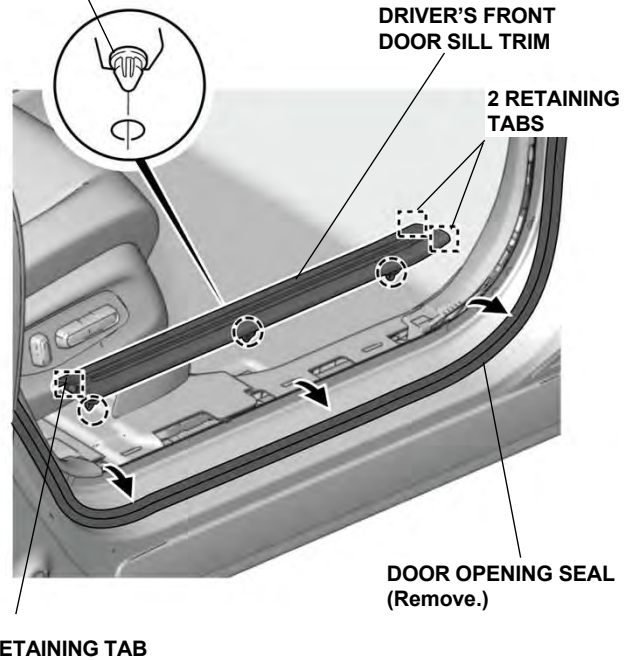


QM70818AG

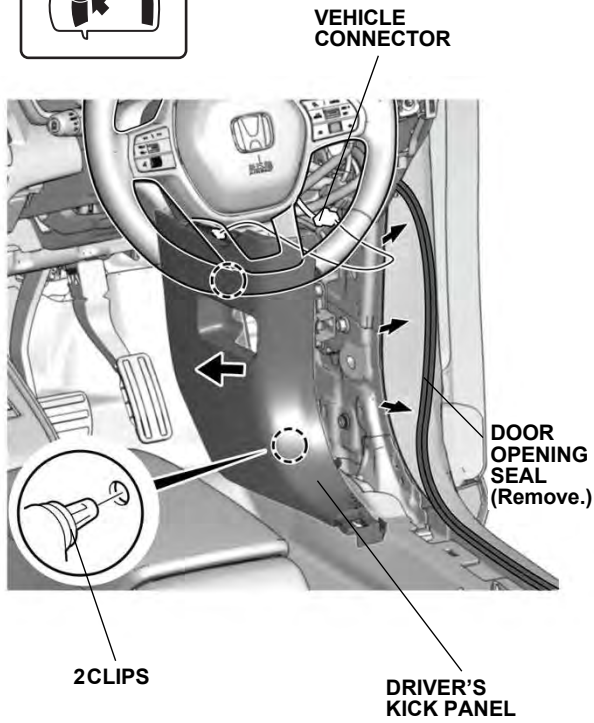
- 33. Remove the driver's door sill trim.



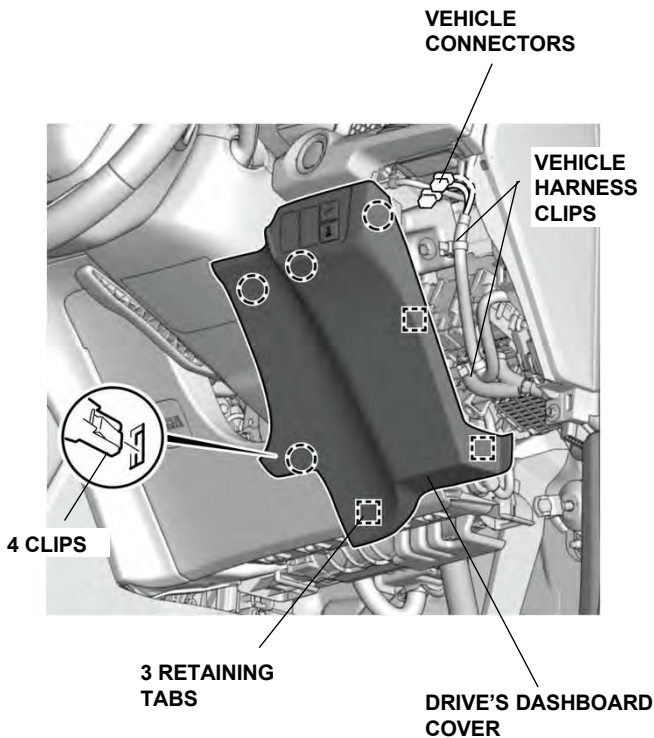
3 CLIPS



34. Remove the driver's kick panel.



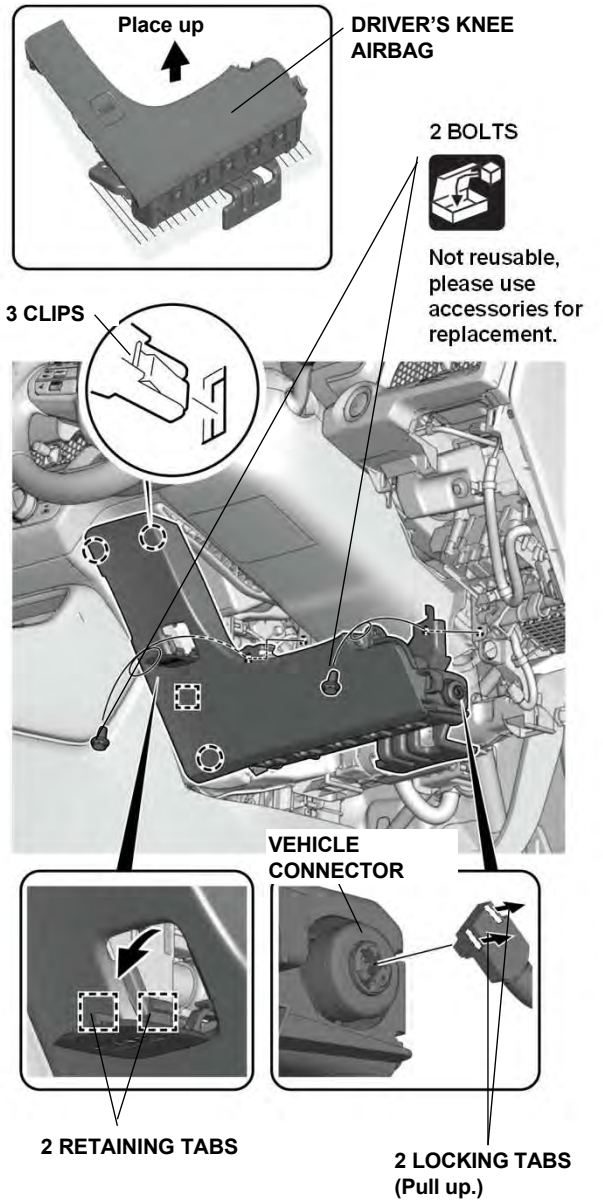
35. Remove the driver's dashboard cover.



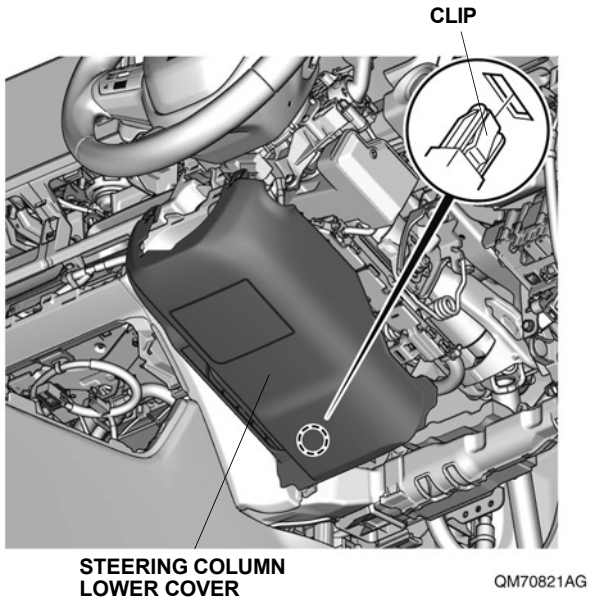
36. Remove the driver's knee airbag.

CAUTION

- Be careful not to drop or hit other objects while removing the airbag.
- Please place the airbag in a safe place with the top up as shown in the illustration.
- When restoring the airbag, be sure to replace it with the bolt provided in accessories kit.
- Make sure to connect the AIRBAG switch connector before re-install the driver's dashboard side lid.



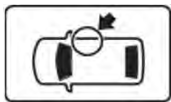
37. Remove the steering column lower cover.



38. Remove the right front door switch panel.

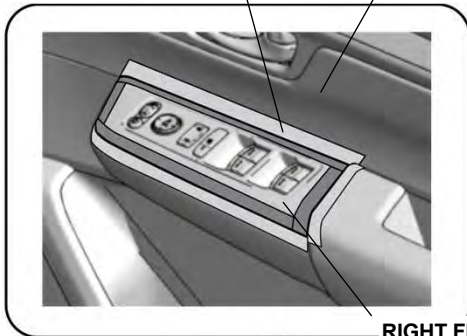
NOTICE

- Do not remove the tapes until after the reinstallation.



TAPES

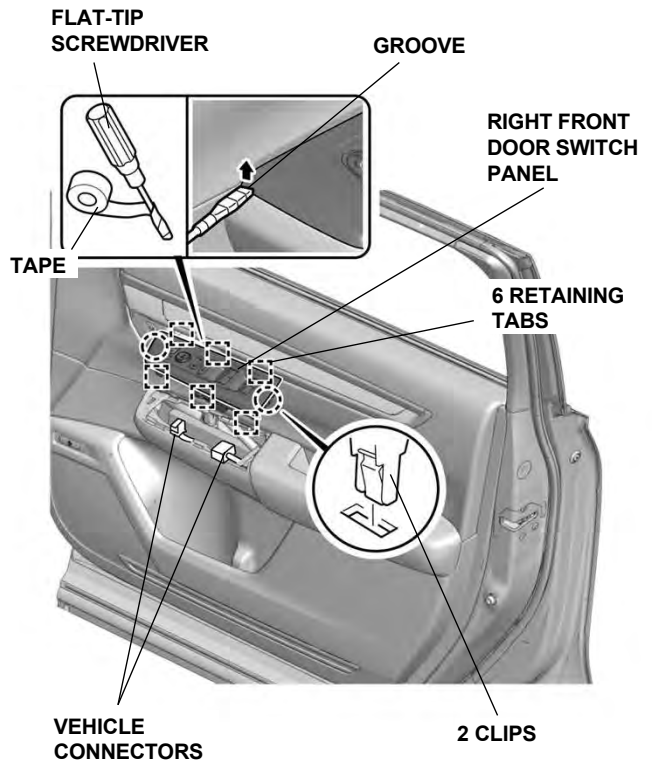
RIGHT FRONT DOOR LINING



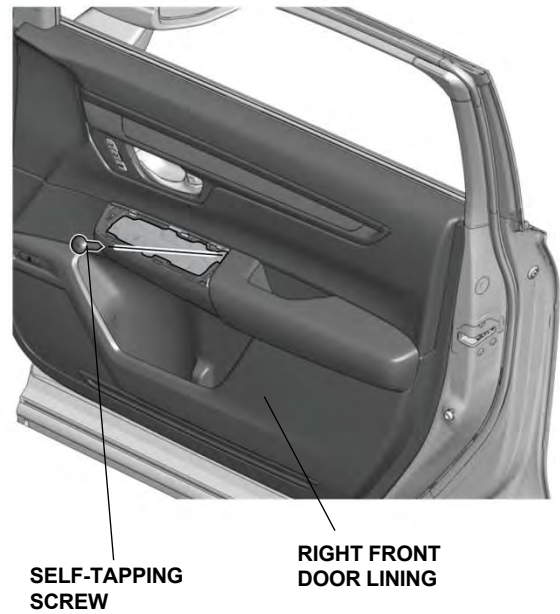
RIGHT FRONT DOOR SWITCH PANEL



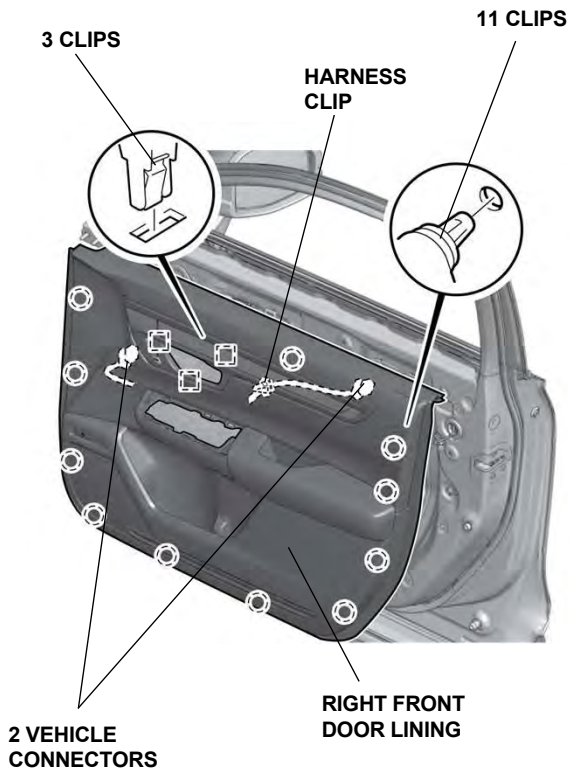
39. Remove the right front door switch panel.



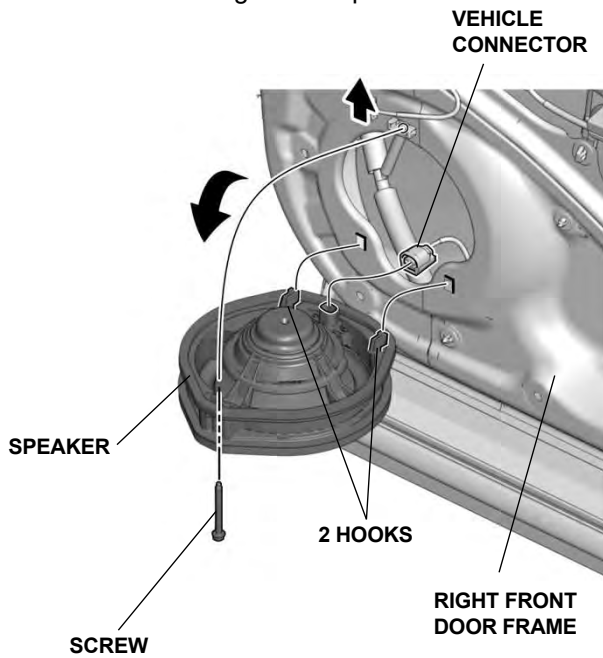
40. Remove the self-tapping screw.



41. Remove the right front door lining.

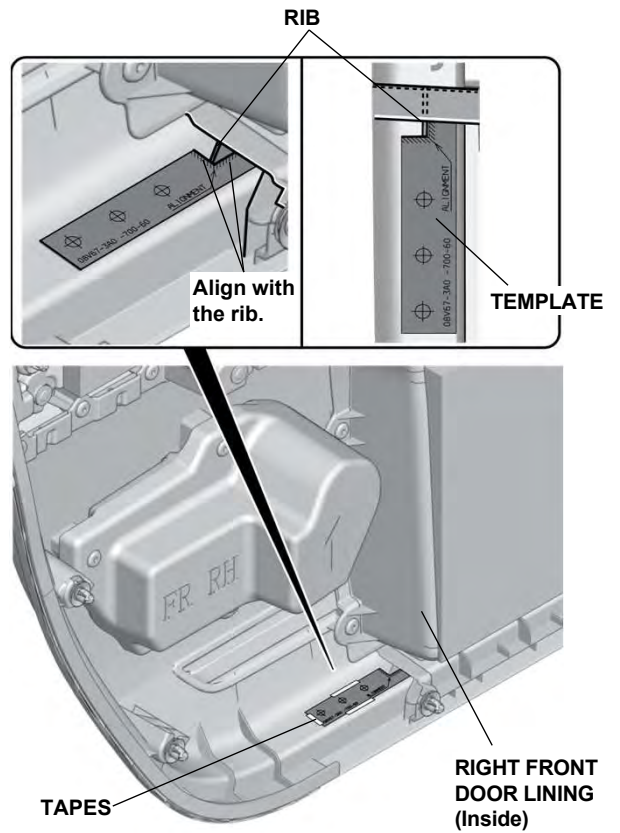


42. Remove the right front speaker.



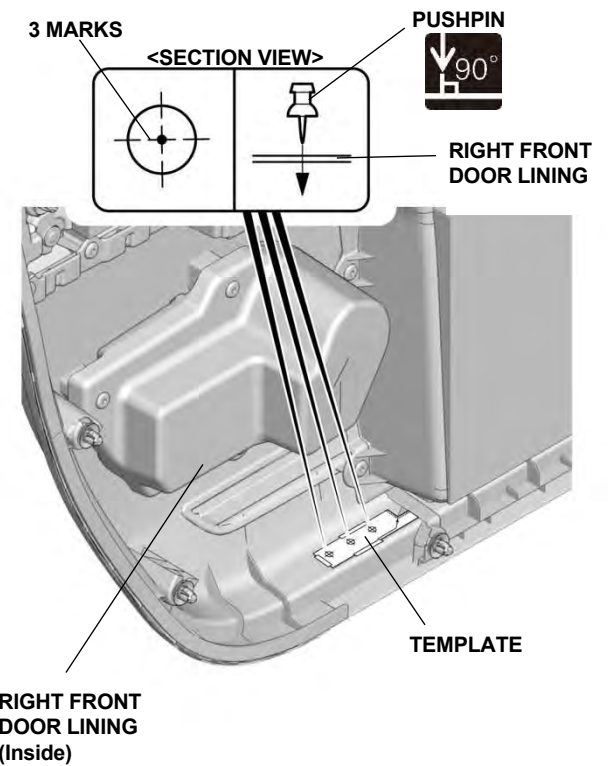
Installing the Lights

43. Secure the template.

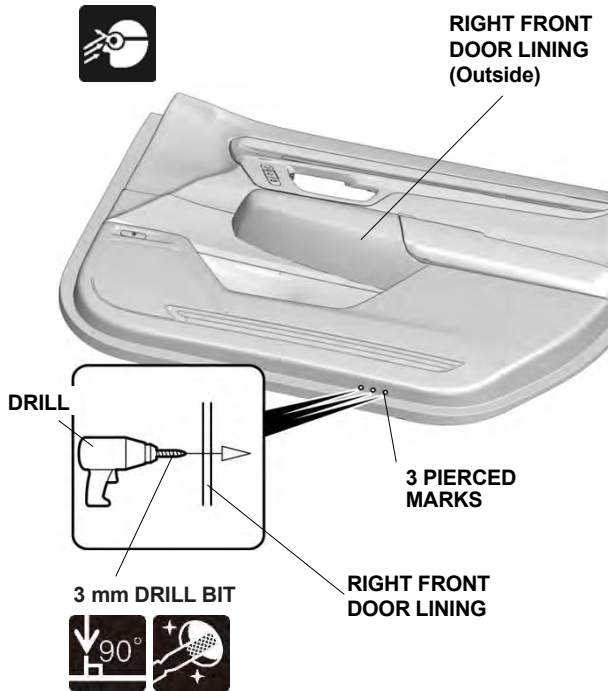


44. Pierce the right front door lining.

45. Remove the template.



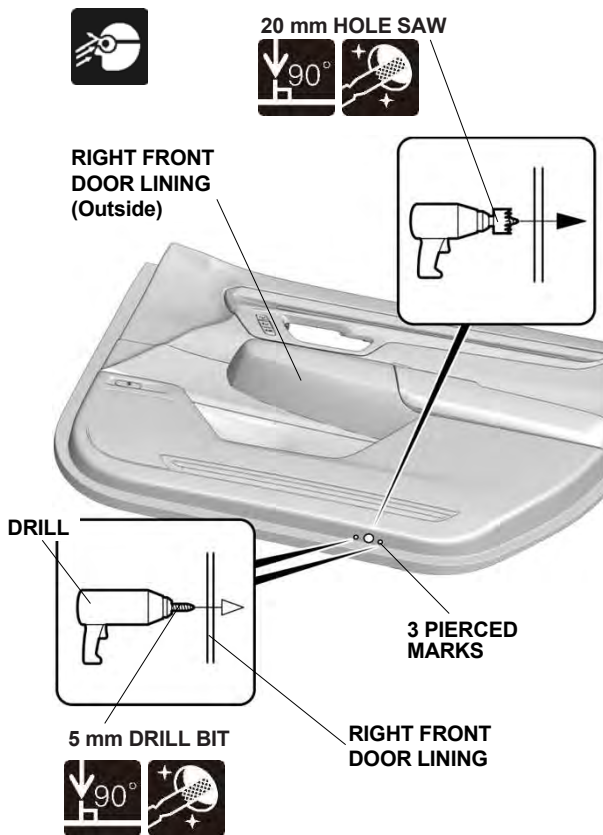
46. Drill the right front door lining.



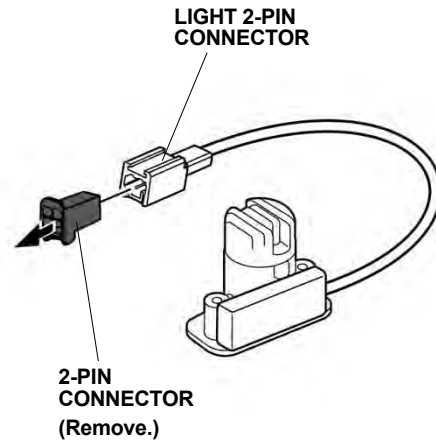
47. Drill the right front door lining.

NOTICE

- Make sure to drill the correct position.



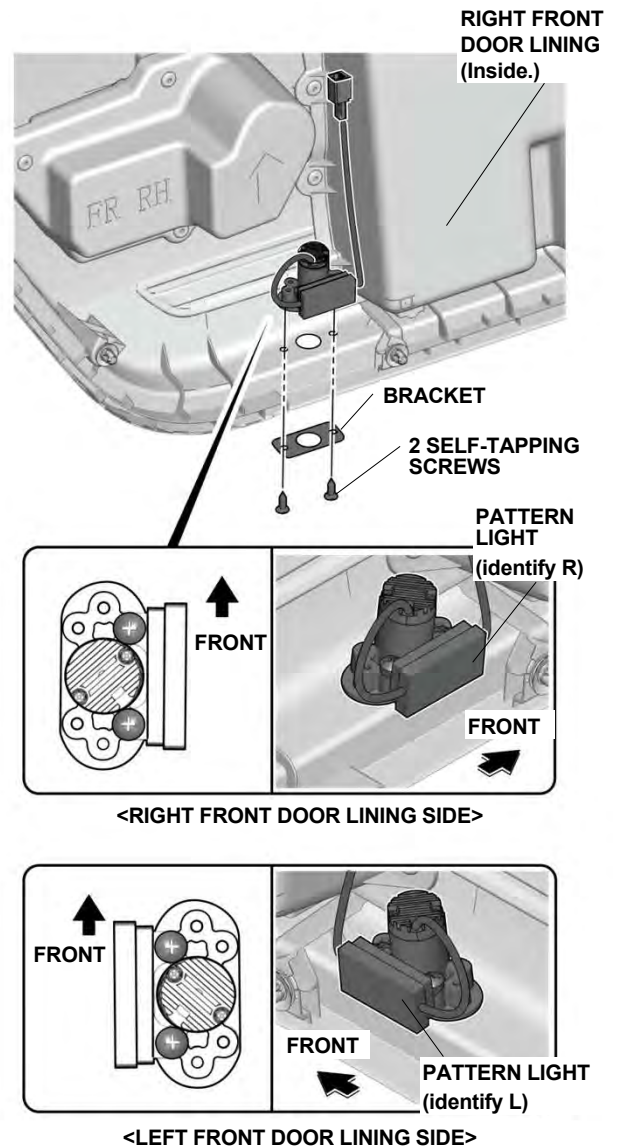
48. Remove the connector.



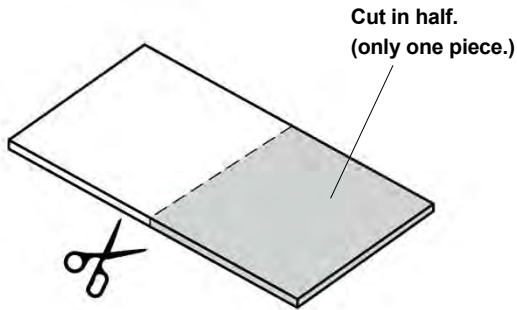
49. Install the light.

NOTICE

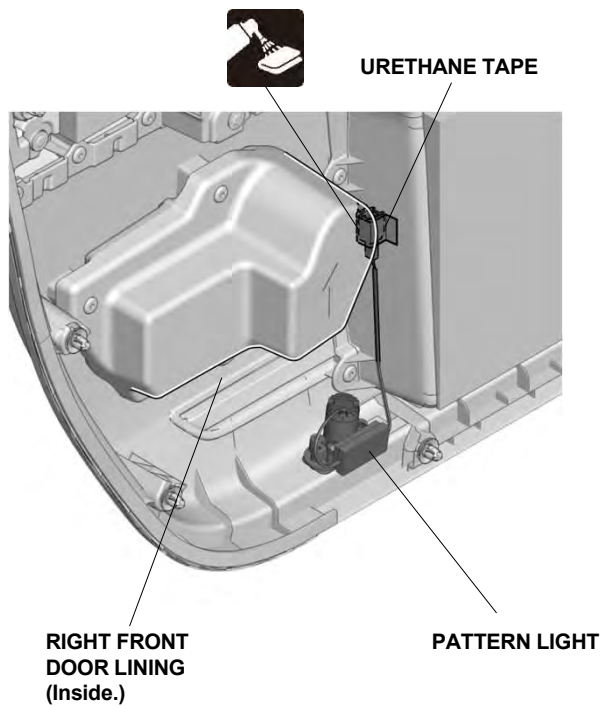
- Make sure to install the light in the correct orientation.



50. Cut the urethane tape.

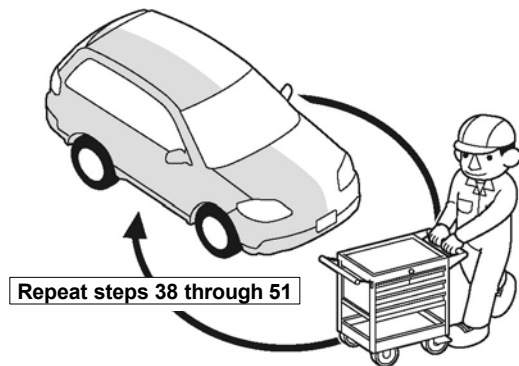


51. Attach the urethane tape.



52. Flip the template.

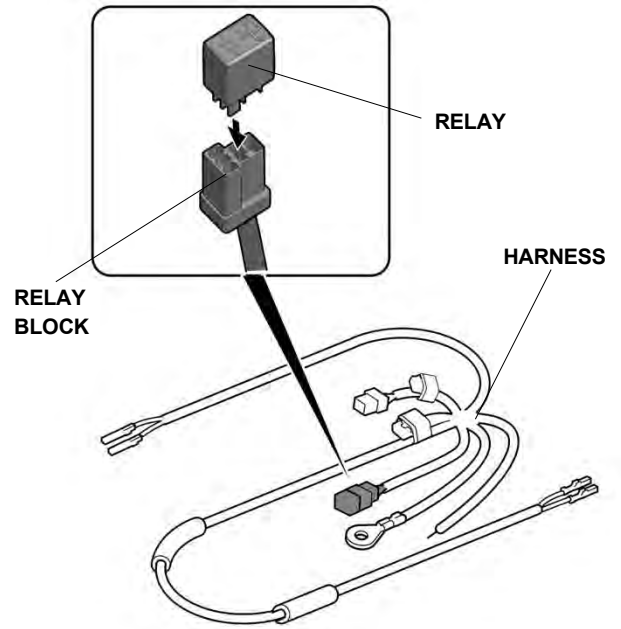
53. Repeat same procedures for the other side.



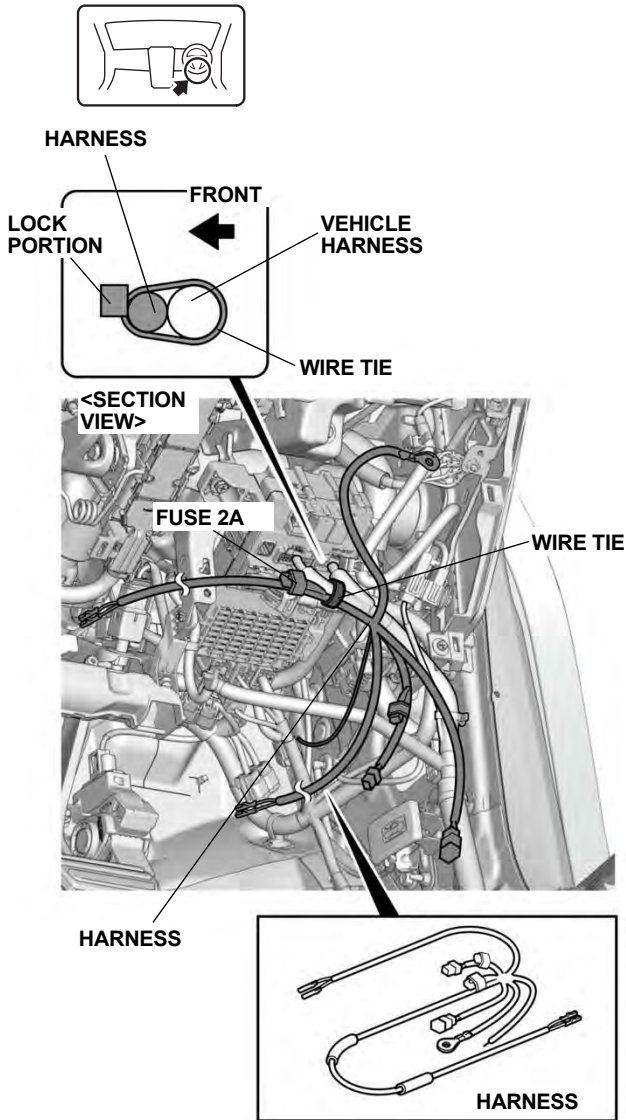
Q9D1014AM

Routing the Harness

54. Connect the relay.



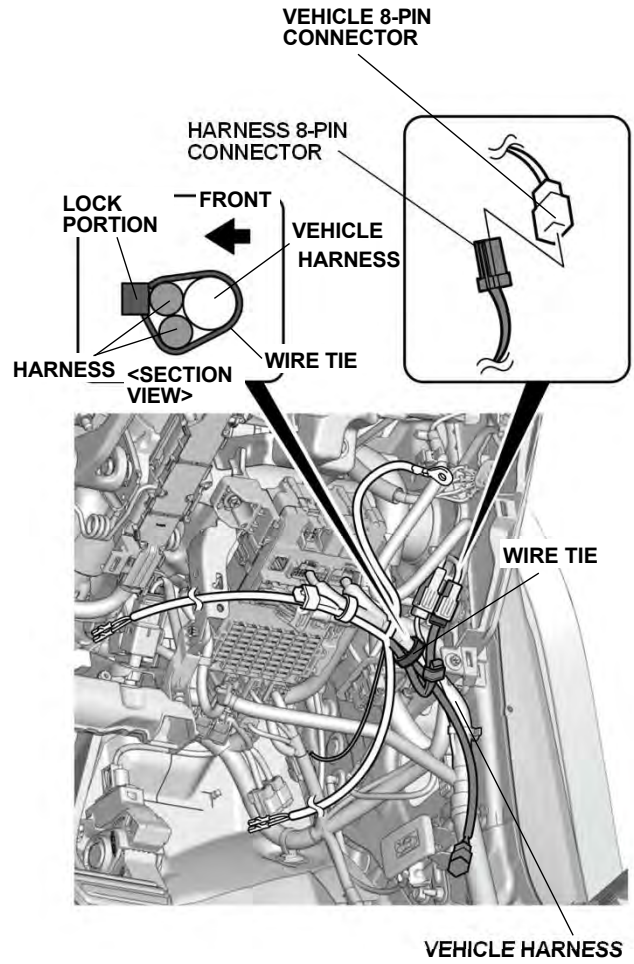
55. Route the harness.



- Without other accessory harness To Step 56
- With other accessory harness To Step 57

<Without other accessory harness 8-pin connector>

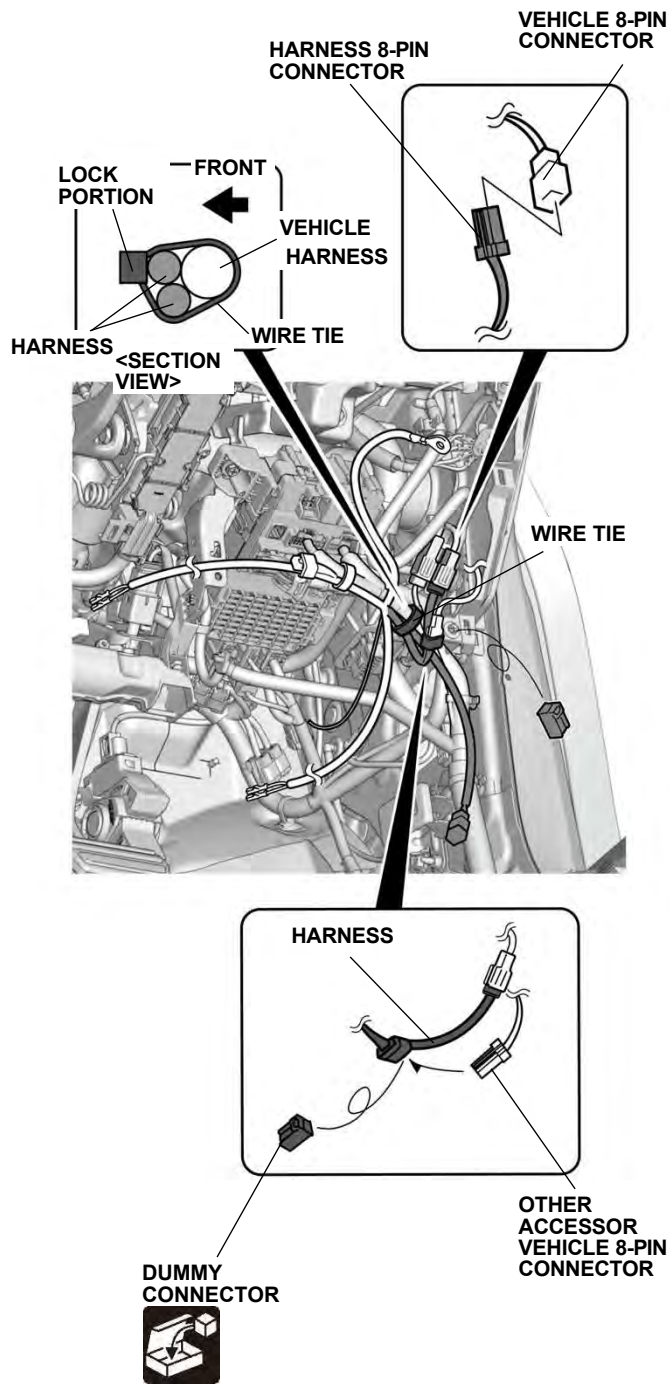
56. Connect the harness connector.



To step 58

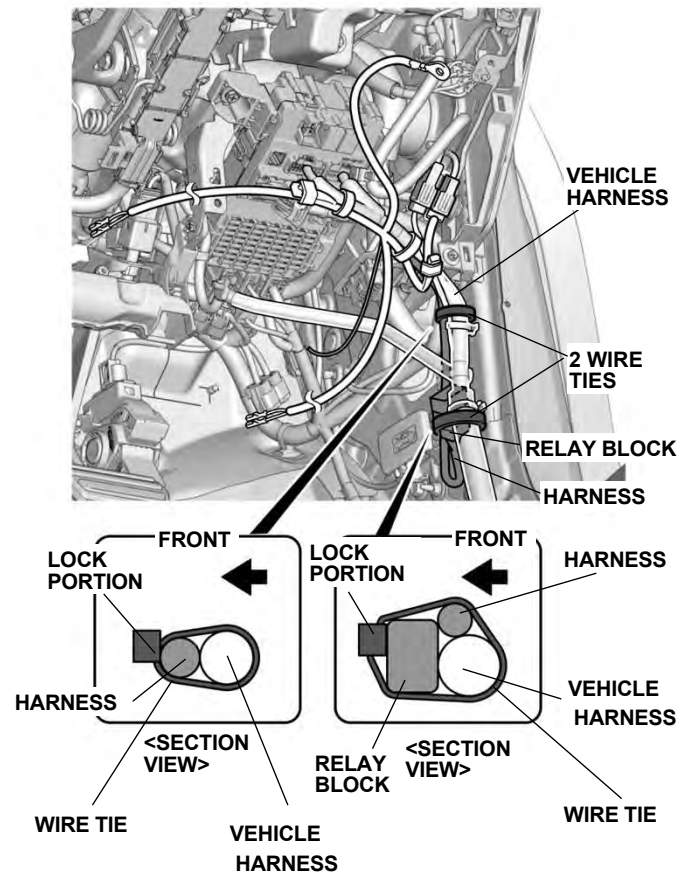
<With other accessory harness 8-pin connector>

57. Connect the harness connector.

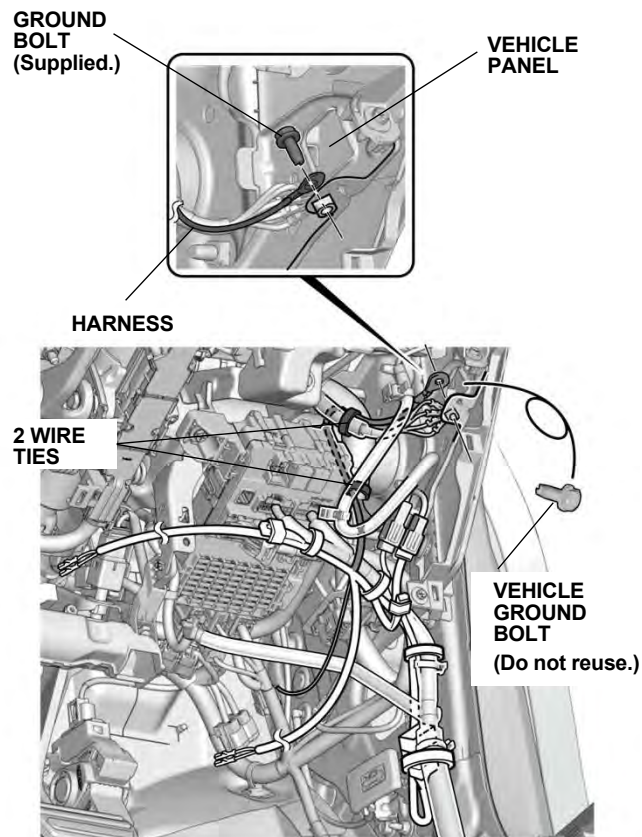


58. Secure the relay block.

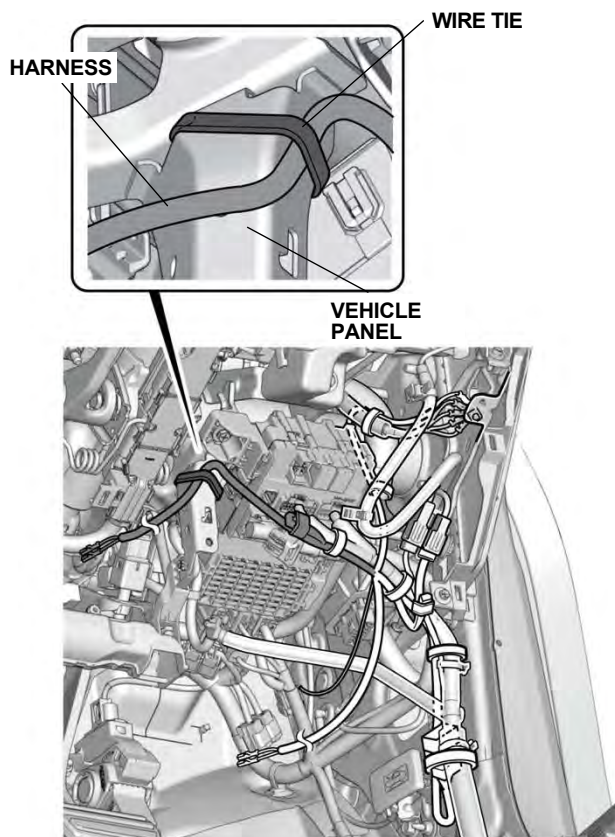
59. Secure the harness.



60. Secure the ground terminal.



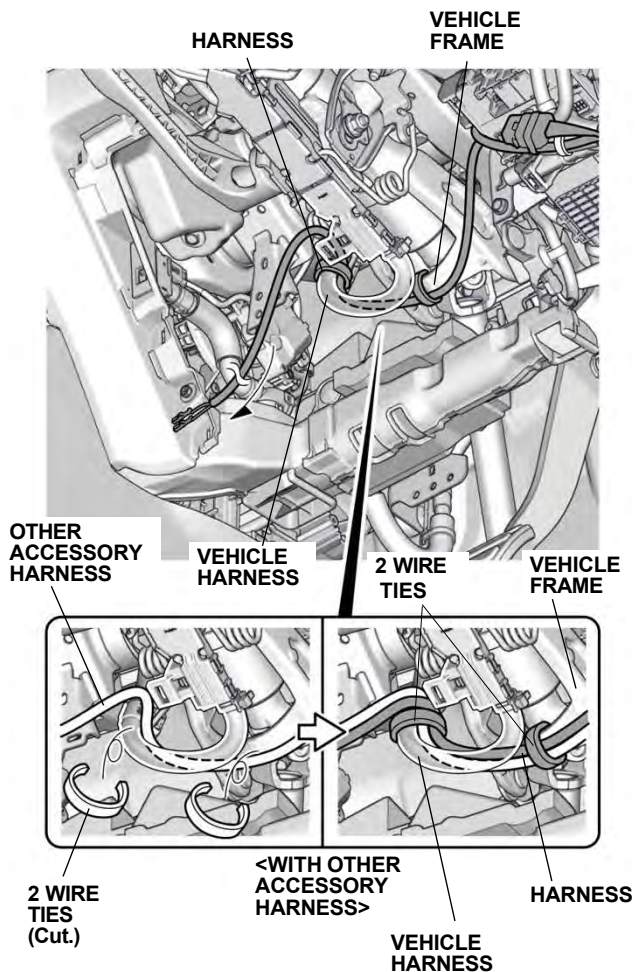
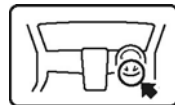
61. Route and secure the harness.



62. Secure the harness.

NOTICE

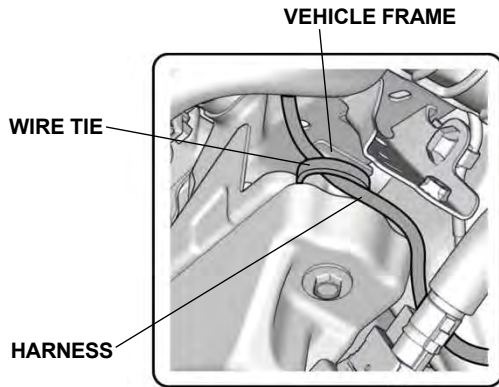
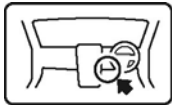
- Be careful not to damage the harness.



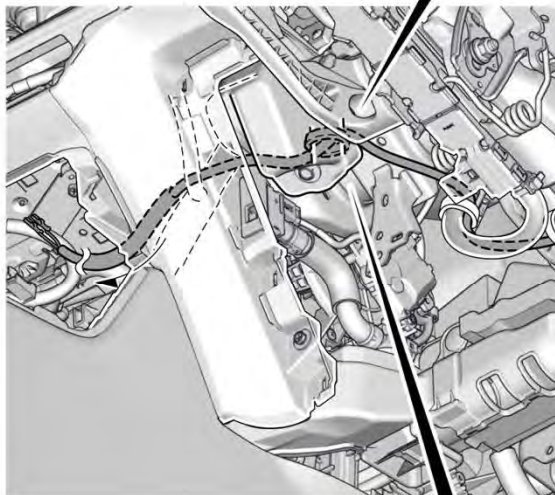
63. Secure the harness.

NOTICE

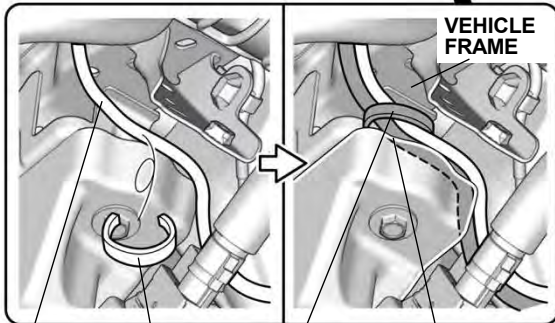
- Be careful not to damage the harness.



<OPPOSITE SIDE VIEW>



<OPPOSITE SIDE VIEW: WITH OTHER ACCESSORY HARNESS>



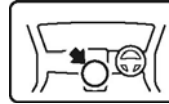
OTHER ACCESSORY HARNESS

WIRE TIE (Cut.)

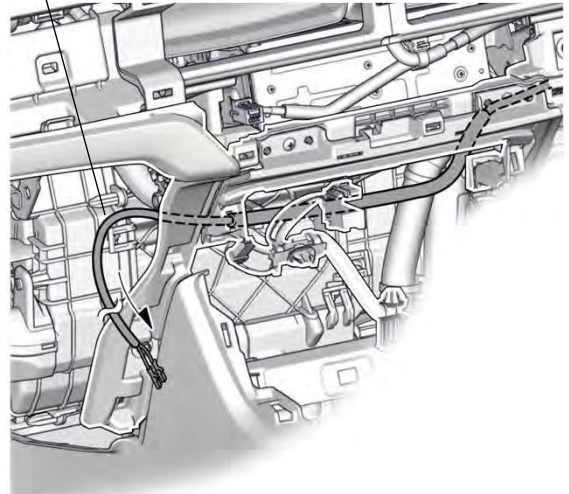
WIRE TIE

HARNESS

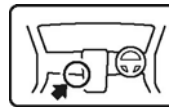
64. Route the harness.



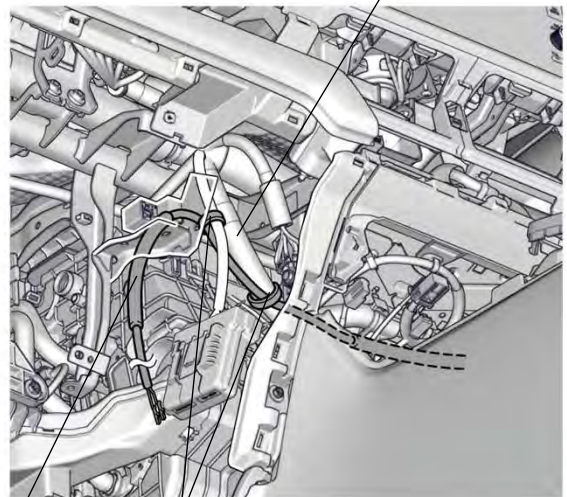
HARNESS



65. Secure the harness.



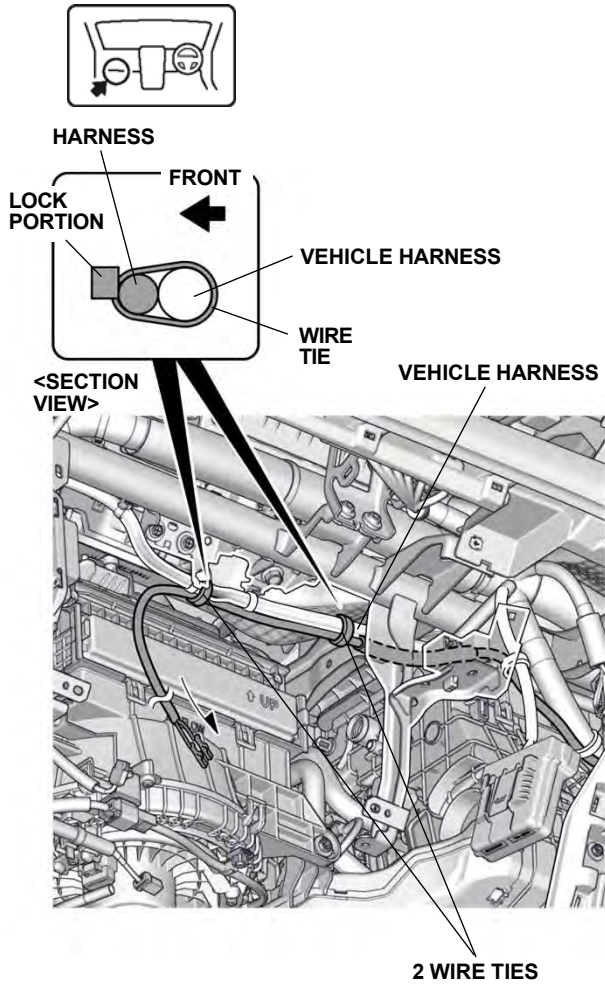
VEHICLE HARNESS



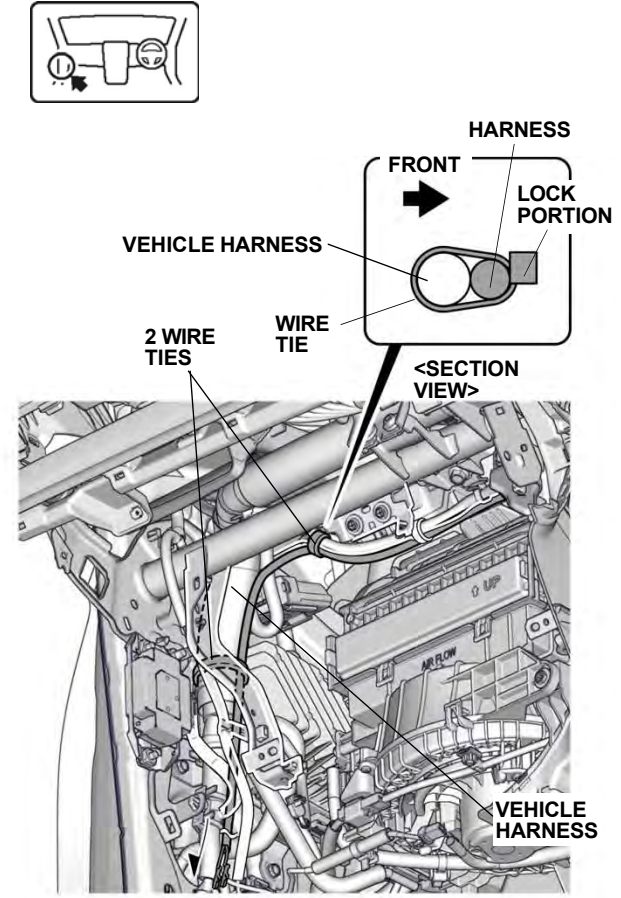
HARNESS

2 WIRE TIES

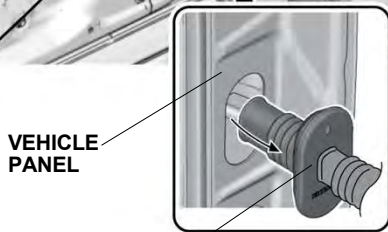
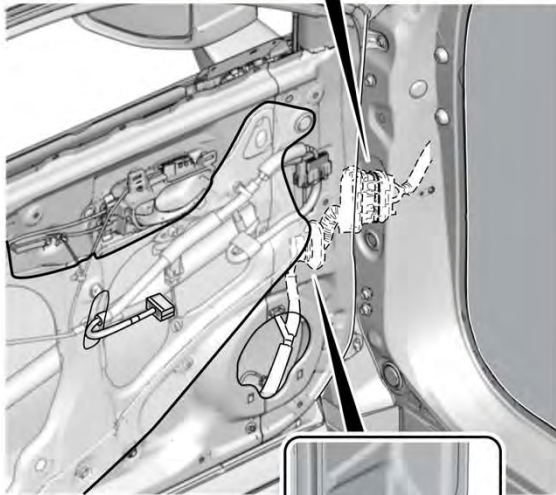
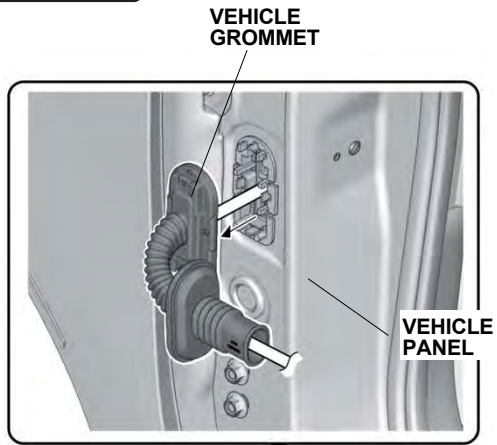
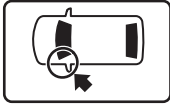
66. Secure the harness.



67. Secure the harness.



68. Release the vehicle grommet.

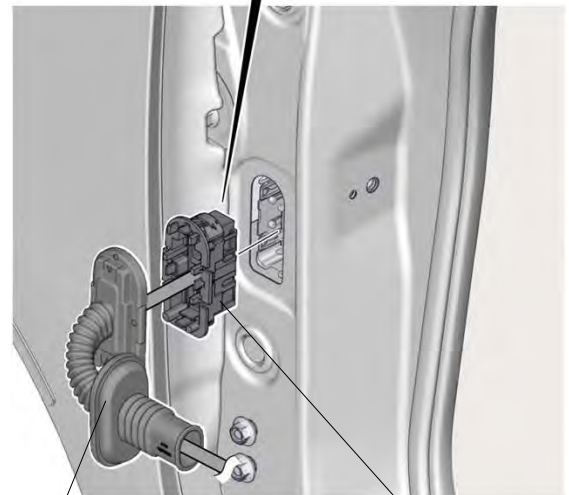
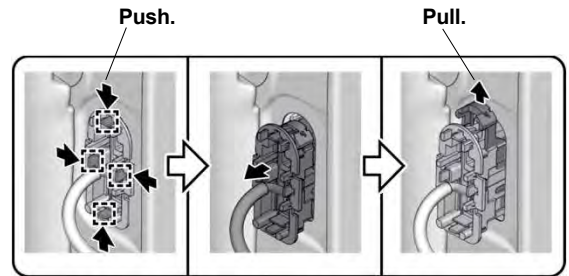


VEHICLE GROMMET

69. Release the vehicle connector.

NOTICE

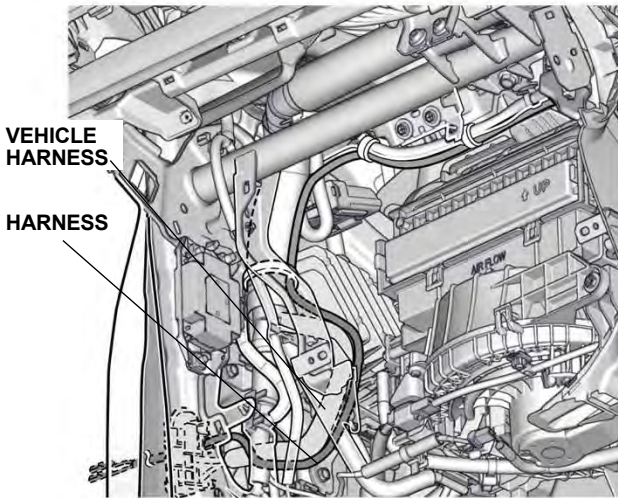
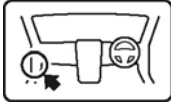
- Optimized the angle of the door for easier removal.



VEHICLE GROMMET

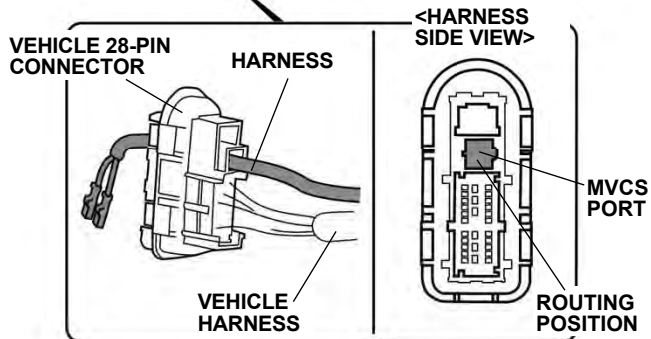
VEHICLE CONNECTOR

70. Route the harness.

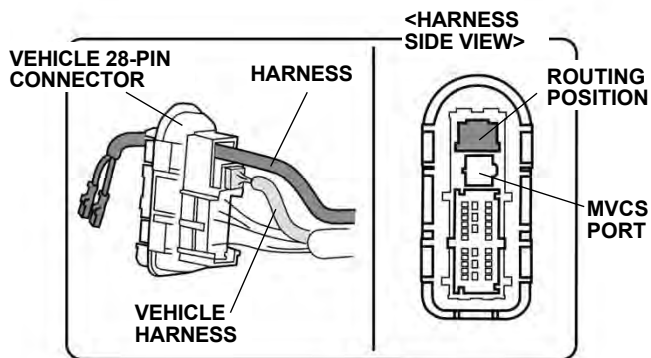


VEHICLE HARNESS

HARNESS

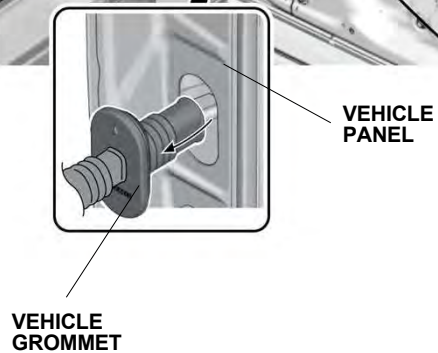
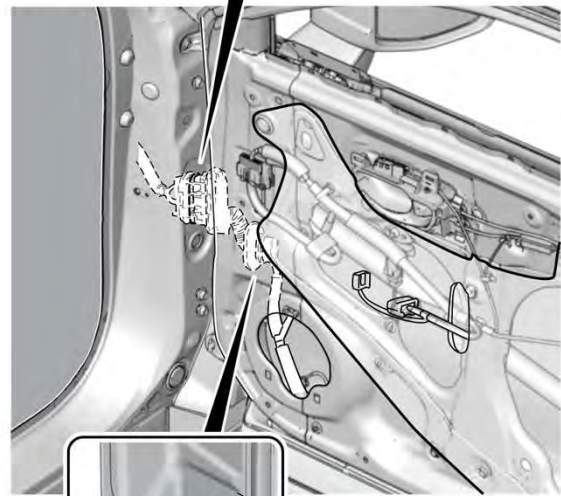
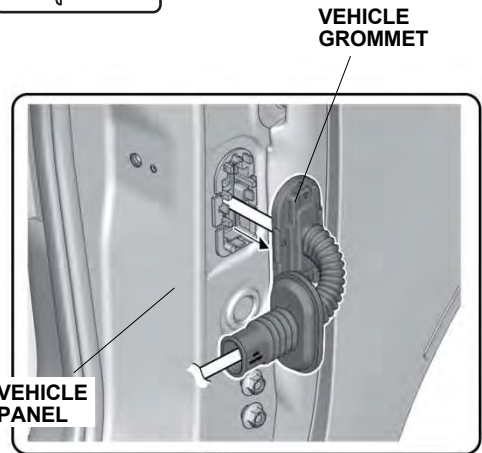


<MVCS PORT DOES NOT BE USED>



<MVCS PORT IS USED>

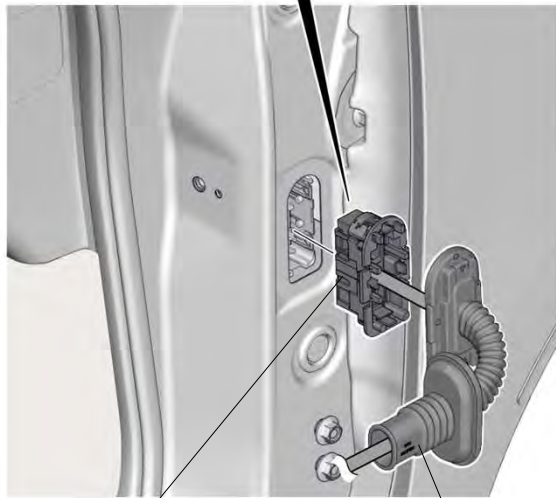
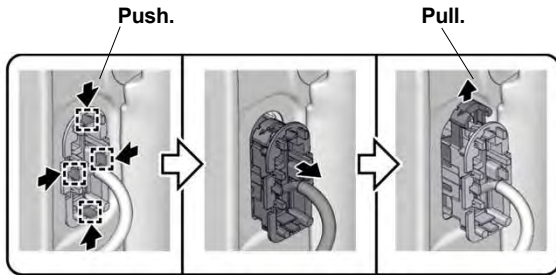
71. Release the vehicle grommet.



72. Release the vehicle connector.

NOTICE

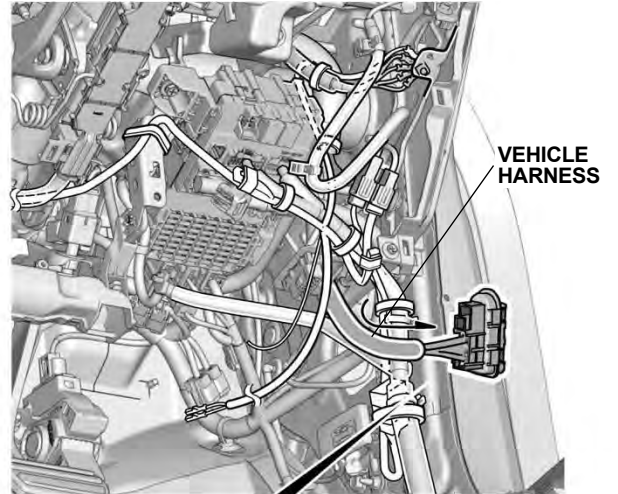
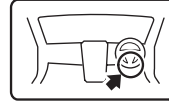
- Optimized the angle of the door for easier removal.



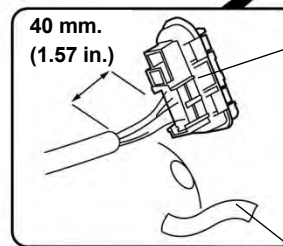
VEHICLE CONNECTOR

VEHICLE GROMMET

73. Remove the tape.



VEHICLE HARNESS



40 mm.
(1.57 in.)

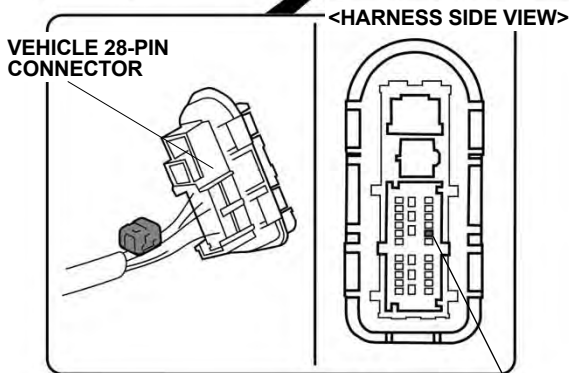
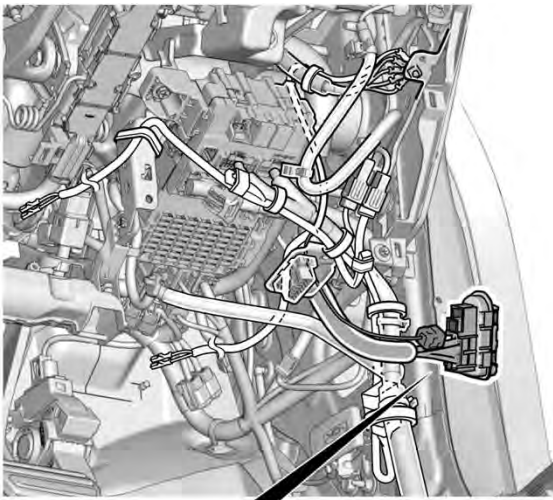
VEHICLE 28-PIN CONNECTOR

TAPE
(Peel off.)

74. Connect the harness cord.

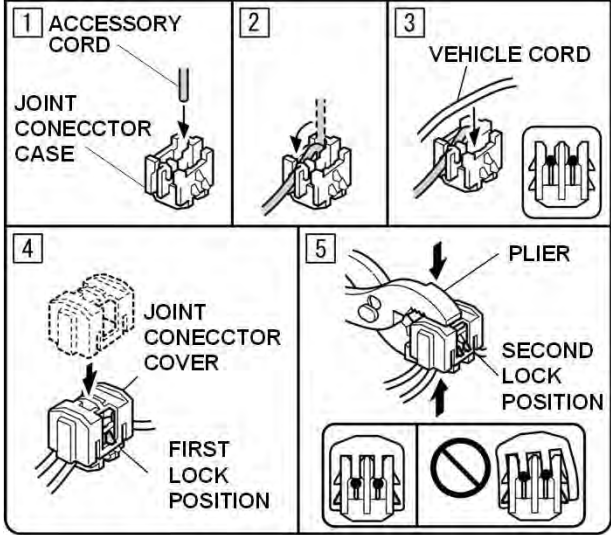
NOTICE

- Make sure to correctly connect the cord.

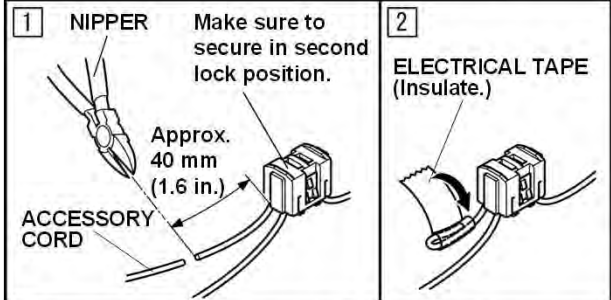


**VEHICLE CORD:
BROWN
ACCESSORY CORD :
YELLOW / WHITE**

How to use the Joint Connector

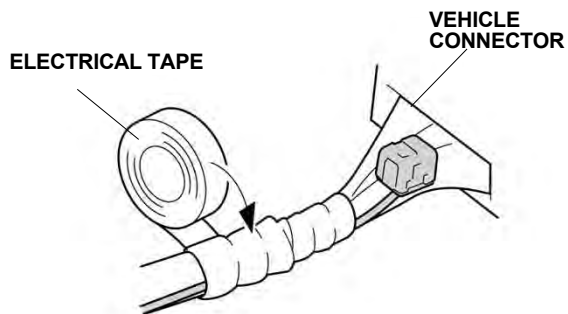


How to deal with the incorrectly secured joint connector.
Do not remove the secured joint connector once.

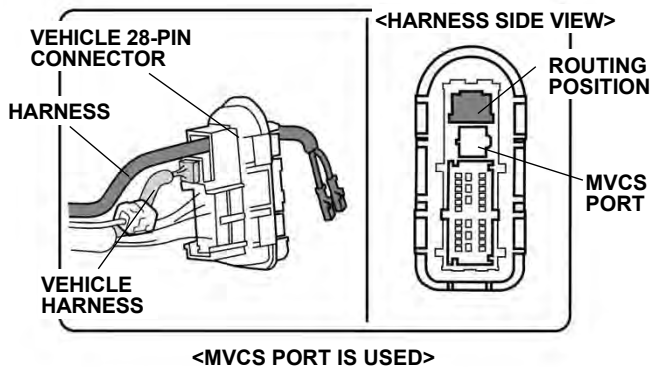
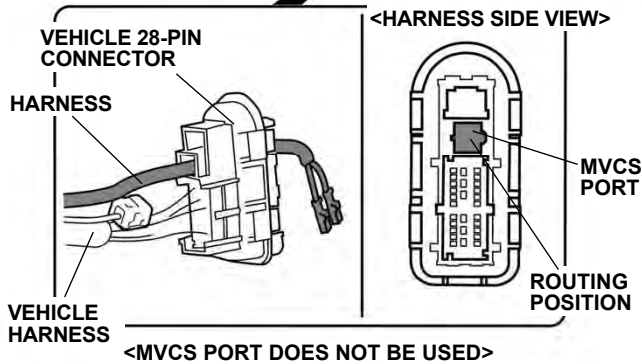
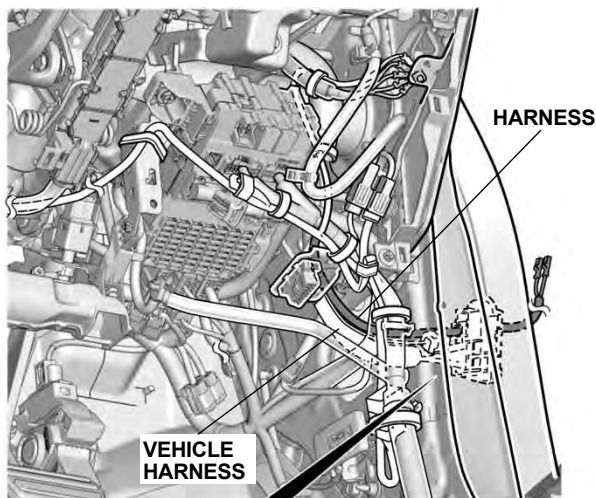


3 Use the new joint connector to secure the accessory cord to the correct cord.

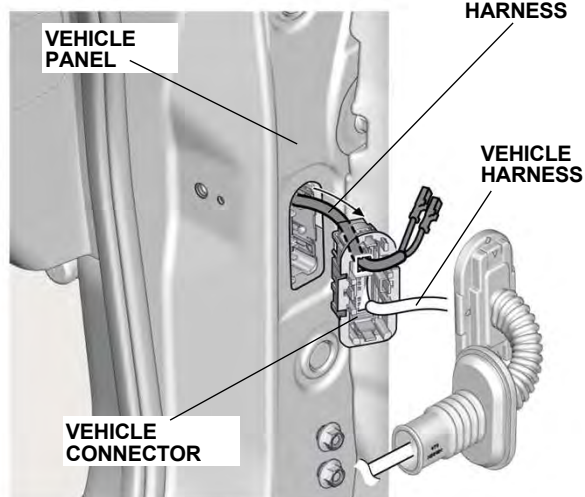
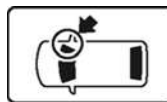
75. Secure the harness.



76. Route the harness.



77. Route the harness.

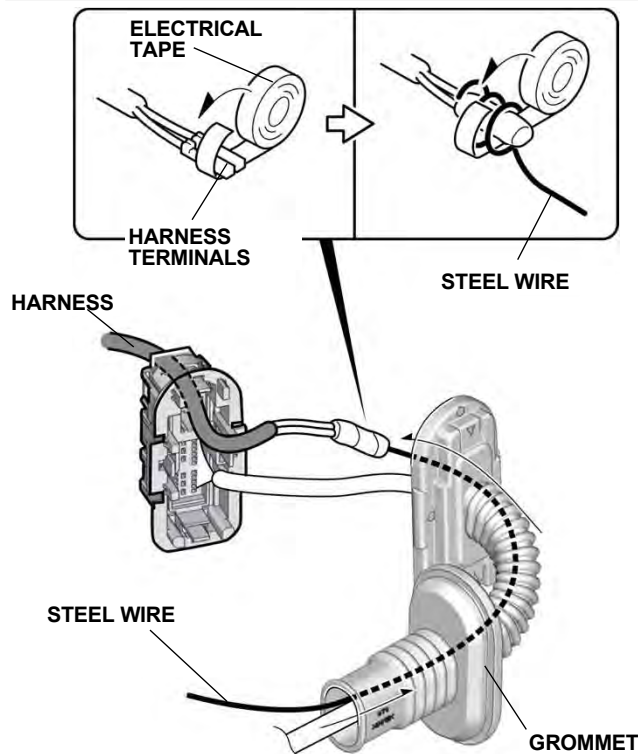


78. Route the steel wire.

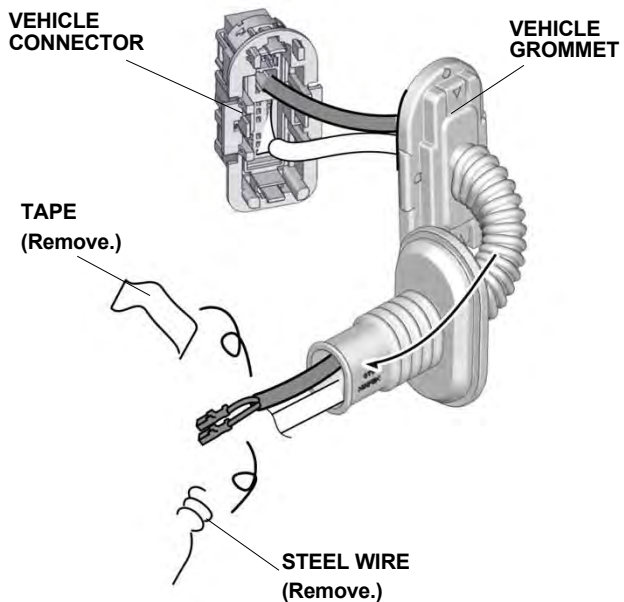
79. Attach the steel wire.

NOTICE

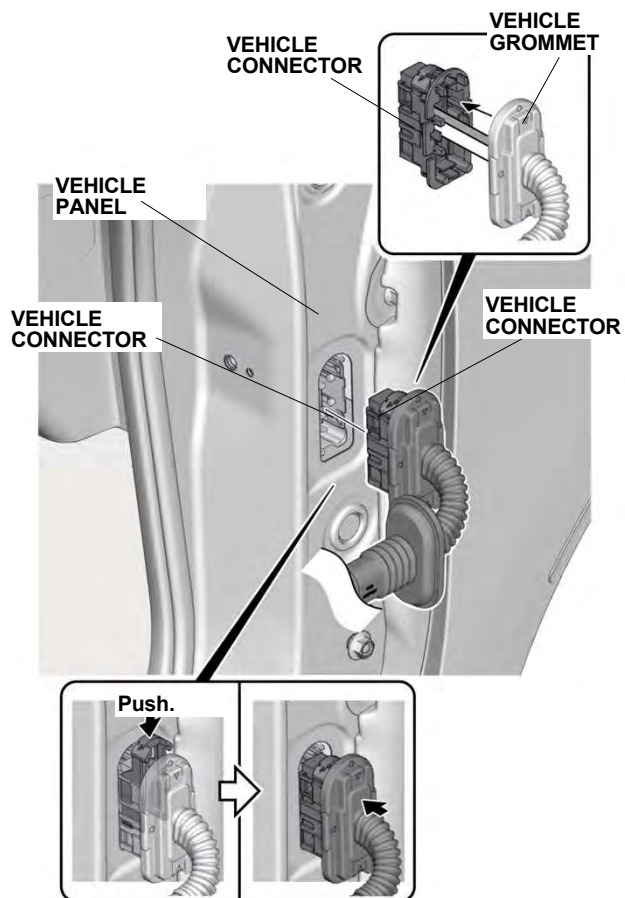
- Do not damage the vehicle grommet or the vehicle harness with the steel wire.
- Make sure that the steel wire is not caught between the vehicle harness inside the vehicle grommet.
- Wrap an electrical tape around the whole harness terminals.



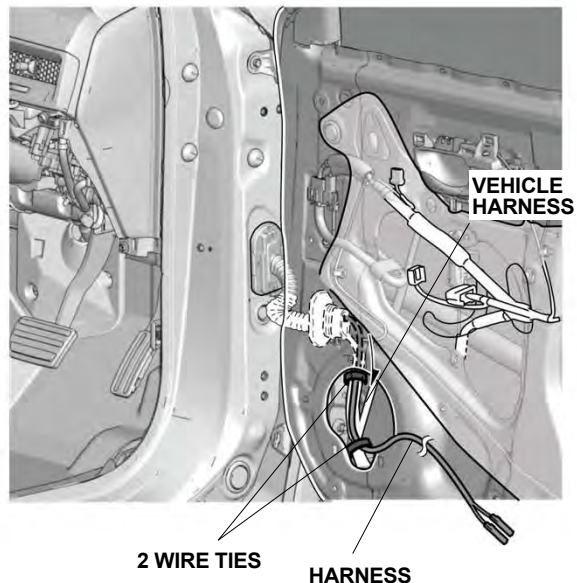
- 80. Route the harness.
- 81. Remove the steel wire.



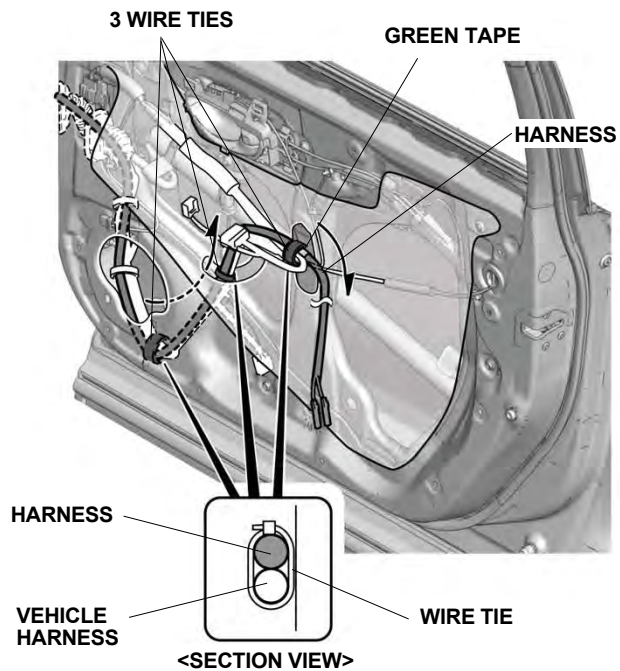
- 82. Reinstall the vehicle grommet.
- 83. Reconnect the vehicle connector.



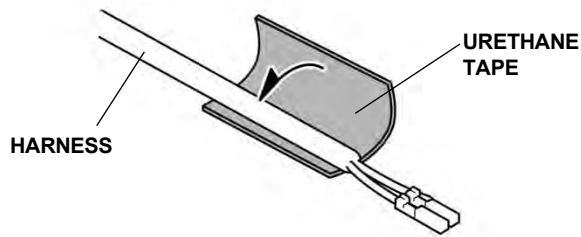
- 84. Route the harness.
- 85. Secure the harness.



- 86. Route the harness.
- 87. Secure the harness.



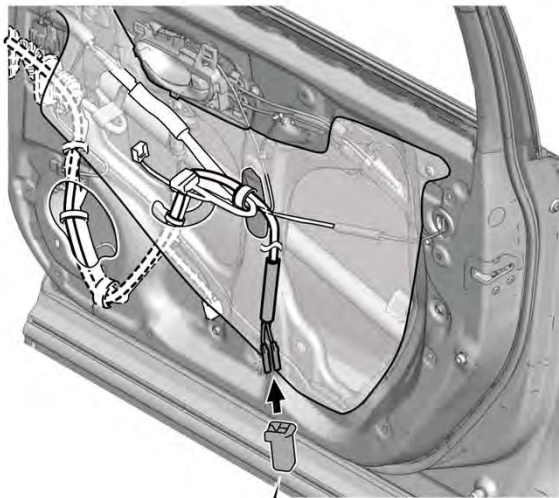
88. Wrap the urethane tape.



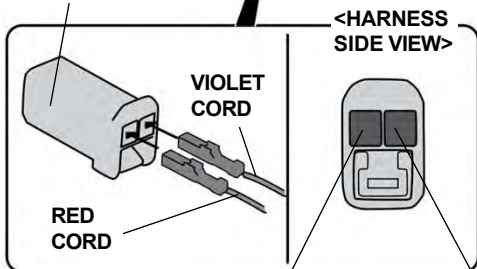
89. Connect the terminals.

NOTICE

- Make sure to insert the terminals in the correct position and orientation.
- Make sure to correctly insert the terminals.

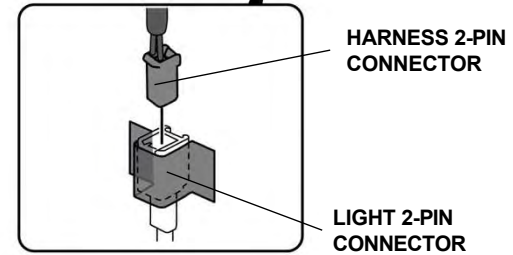
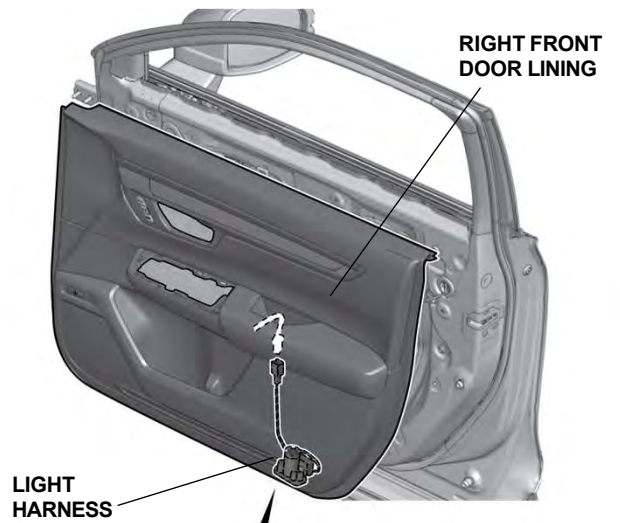


2-PIN CONNECTOR
(Removed in step 48.)

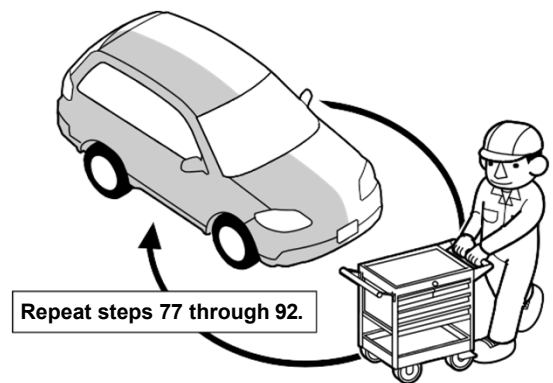


Red cord connect to Red cord. Violet cord connect to Black cord.

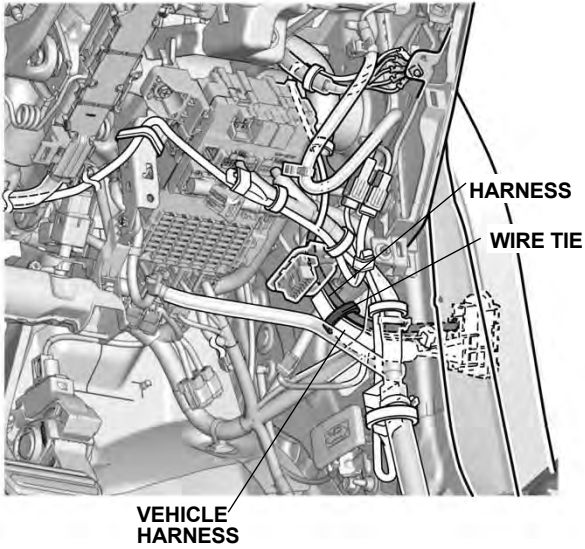
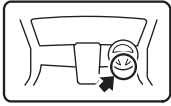
90. Reinstall the right front speaker.
91. Connect the harness connector.
92. Reinstall the right front door lining.



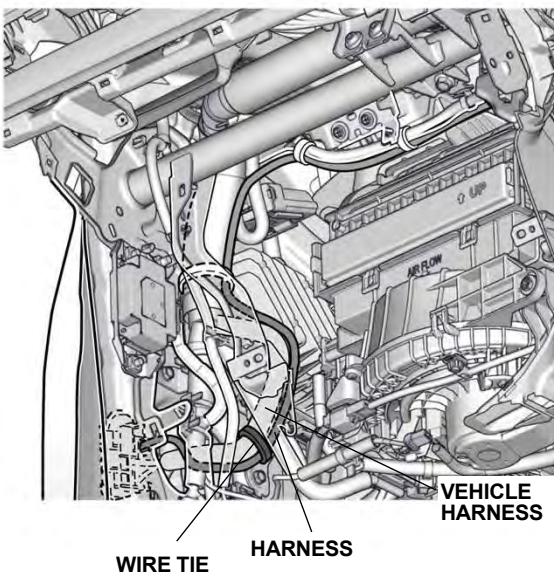
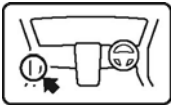
93. Repeat the same procedures for the other side.



94. Secure the harness.



95. Secure the harness.



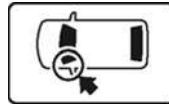
To step 190

Removing the Vehicle parts (LHD models)

96. Fix the tilt lever of the column in the lowest position the telescopic in the position that is pulled most.
97. Attach the tapes to protect the vehicle.

NOTICE

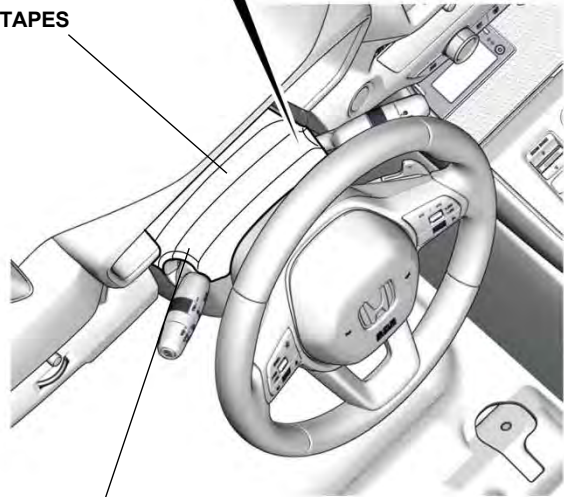
- Do not remove the tapes until after the reinstallation.



STEERING WHEEL



TAPES



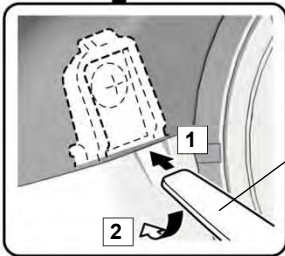
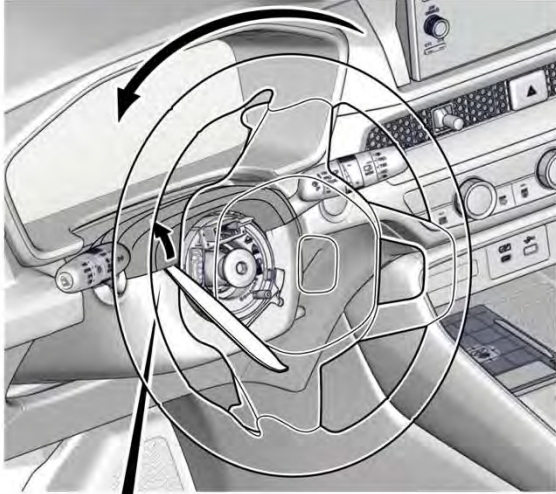
STEERING COLUMN UPPER COVER

- 98. Turn the steering wheel 90° counterclockwise.
- 99. Release the left side of the steering column upper cover.

NOTICE

- Release in the order shown.

90° counterclockwise.



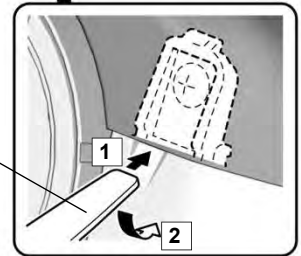
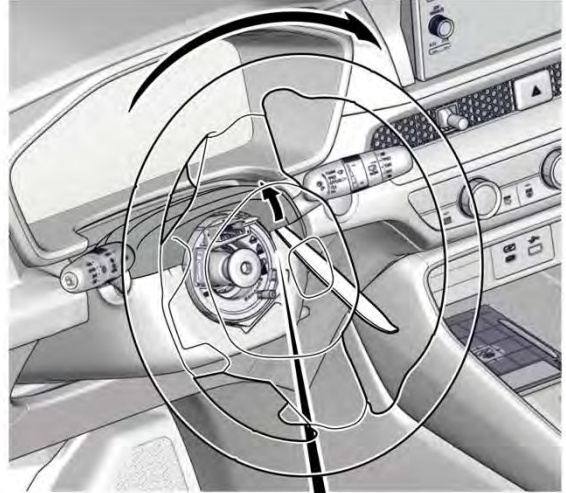
HANDY REMOVER

- 100. Turn the steering wheel 180° clockwise.
- 101. Release the right side of the steering column upper cover.

NOTICE

- Release in the order shown.

180° clockwise.

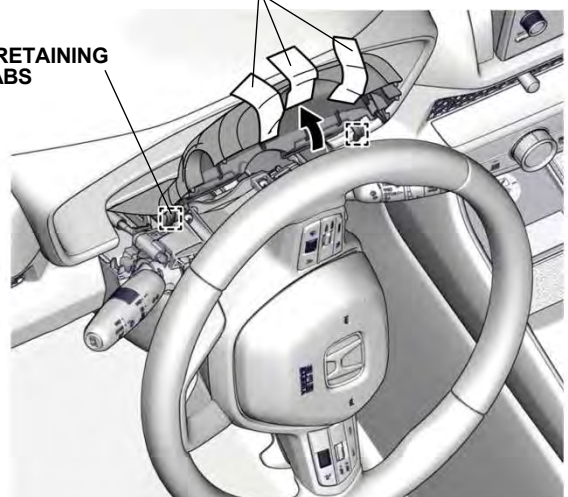


HANDY REMOVER

- 102. Release the steering column upper cover.
- 103. Secure the steering column upper cover.

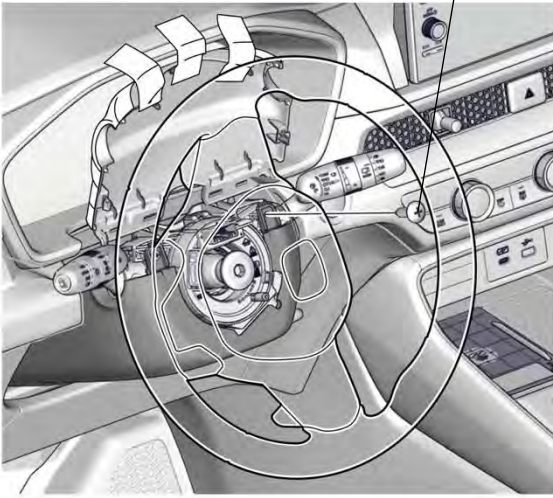
TAPES

2 RETAINING TABS



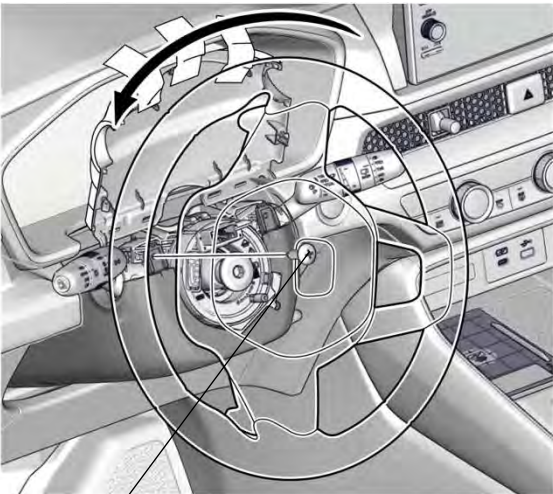
104. Remove the self-tapping screw.

**SELF-TAPPING
SCREW**



105. Turn the steering wheel 180° counterclockwise.
106. Remove the self-tapping screw.

180° counterclockwise.



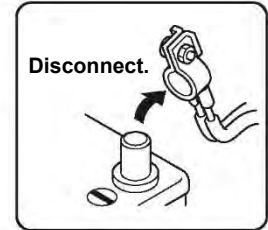
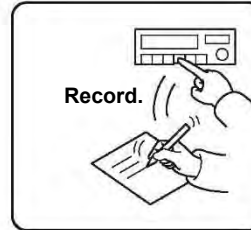
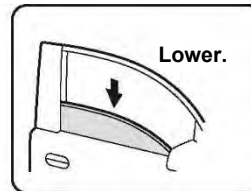
**SELF-TAPPING
SCREW**

Disconnecting the Battery Cable

107. Perform the works before disconnecting the negative cable from the battery as shown below.
108. Make sure if you have the anti-theft code for the audio/navigation system. Record some settings of the vehicle if necessary.
109. Disconnect the negative cable from the battery.

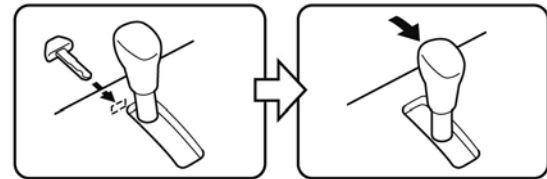
NOTICE

- For Hybrid vehicle, make sure not to disconnect the negative cable from the battery three minutes after turning the engine switch to OFF.



QCD0502BM

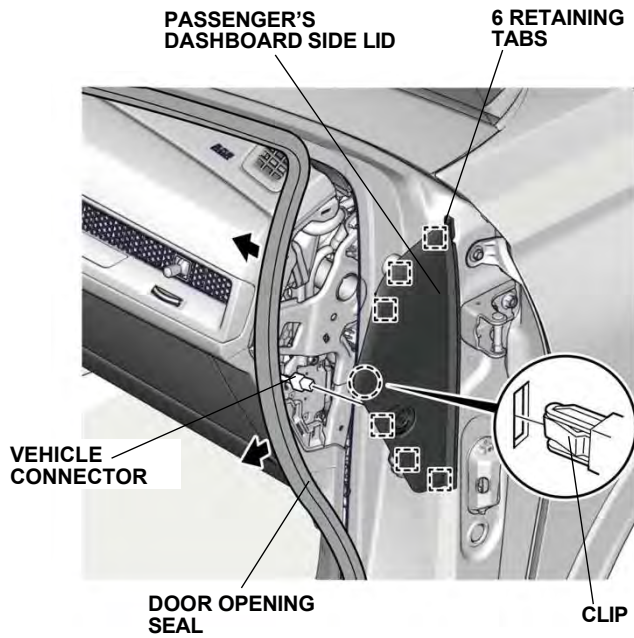
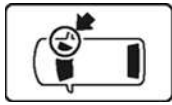
110. Move the shift lever to the D position.



QM22301AB

Removing the Vehicle parts

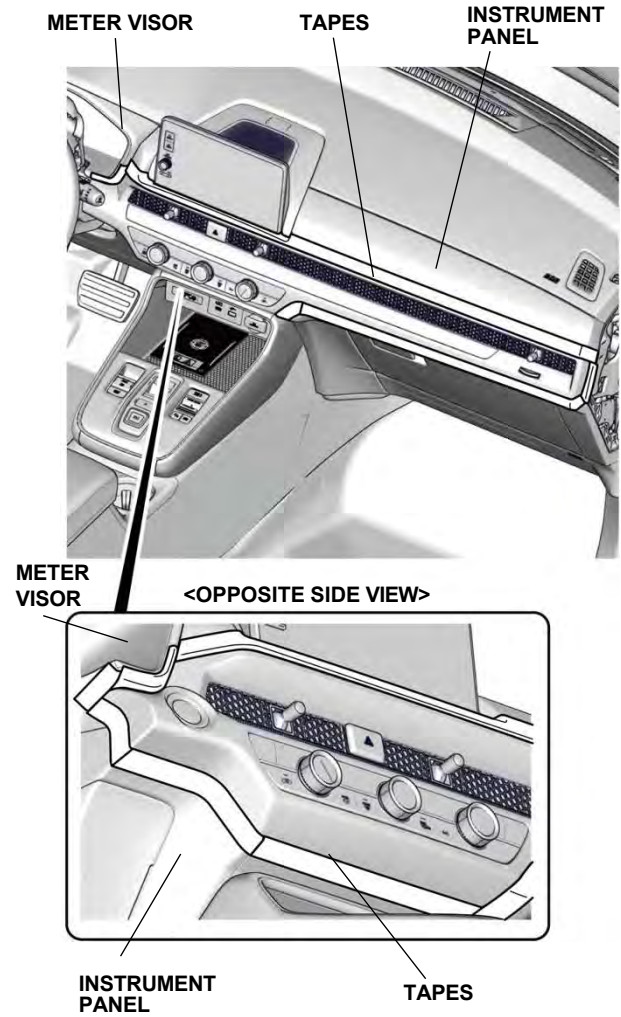
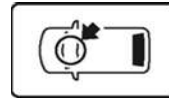
111. Remove the passenger's dashboard side lid.



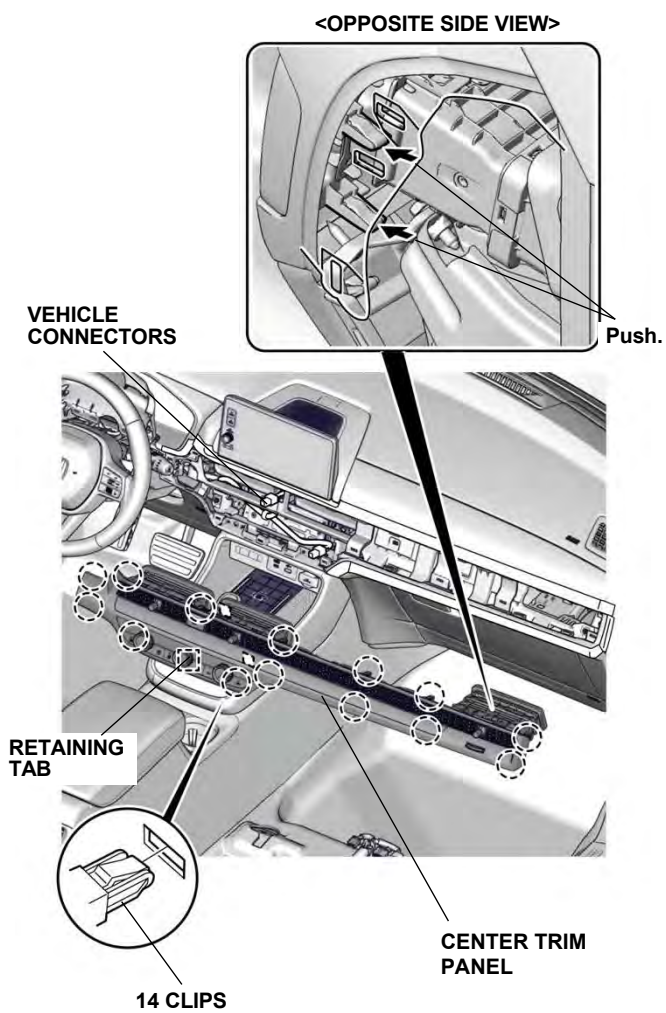
112. Attach the tapes to protect the vehicle.

NOTICE

- Do not remove the tapes until after the reinstallation.



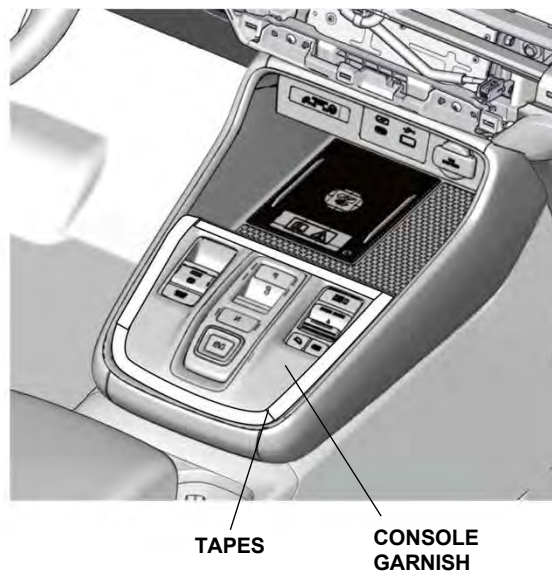
113. Remove the center trim panel.



114. Attach the tapes to protect the vehicle.

NOTICE

- Do not remove the tapes until after the reinstallation.

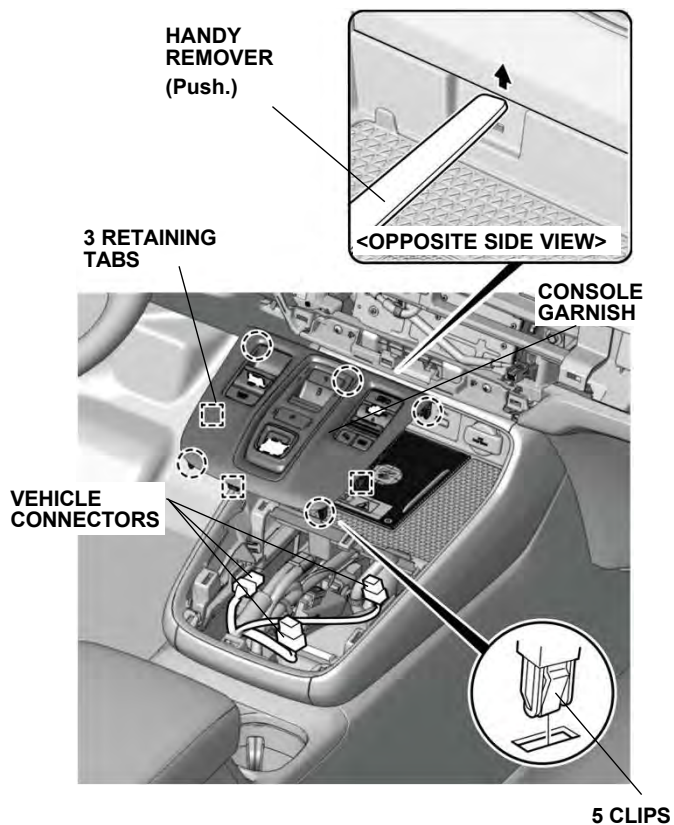


115. Release the console garnish.

116. Remove the console garnish.

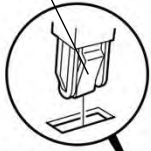
NOTICE

- Release the retaining tabs in order.

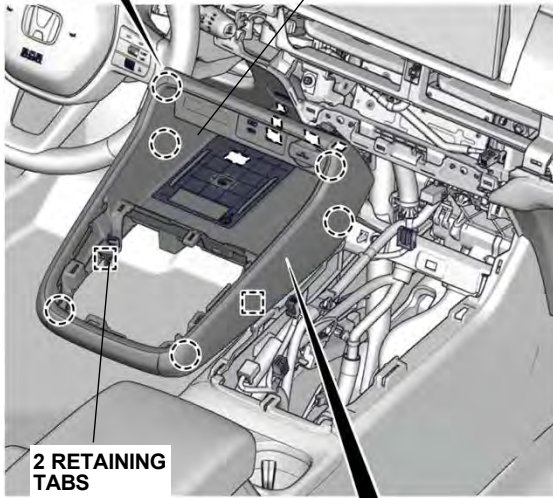


117. Remove the console panel.

6 CLIPS

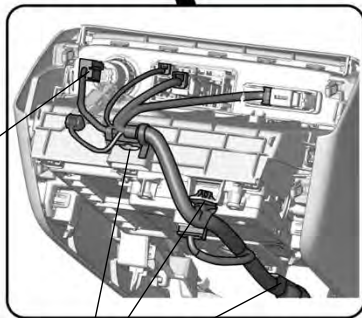


CONSOLE
PANEL



2 RETAINING
TABS

VEHICLE
CONNECTORS



3 VEHICLE
CLIPS

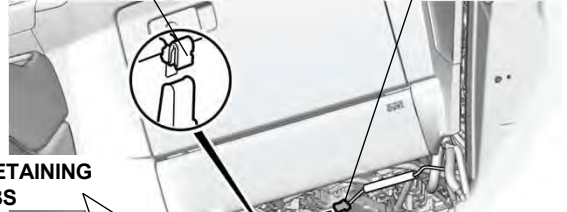
118. Remove the passenger's under cover.



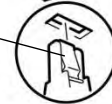
HARNESS CLIP

VEHICLE
CONNECTOR
(Remove.)

2 RETAINING
TABS



2 CLIPS

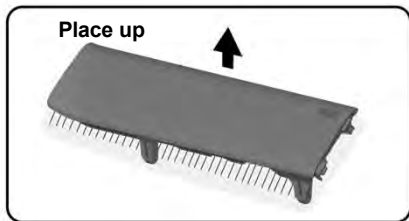


PASSENGER'S
UNDER COVER

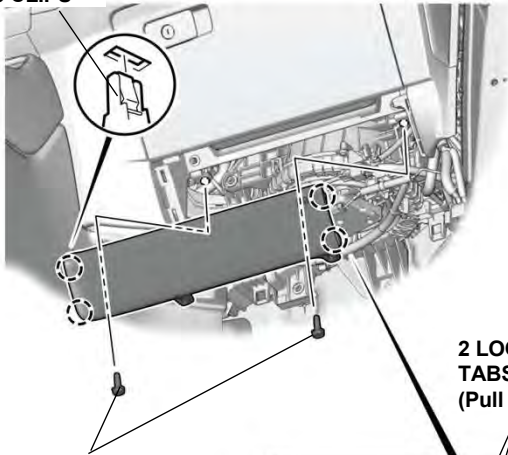
119. Remove the passenger's knee airbag.

CAUTION

- Be careful not to drop or hit other objects while removing the airbag.
- Please place the airbag in a safe place with the top up as shown in the illustration.
- When restoring the airbag, be sure to replace it with the bolt provided in accessories kit.
- Make sure to connect the AIRBAG switch connector before re-install the passenger's dashboard side lid.



3 CLIPS

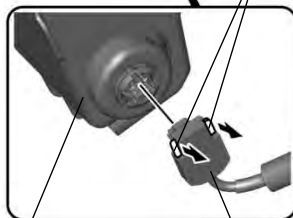


2 LOCKING TABS
(Pull up.)

2 BOLTS



Not reusable,
please use
accessories for
replacement.



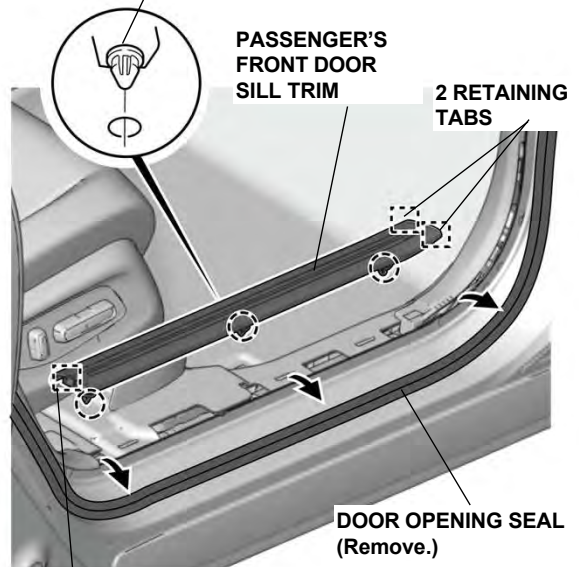
PASSENGER'S
KNEE AIRBAG

VEHICLE
CONNECTOR

120. Remove the passenger's door sill trim.



3 CLIPS



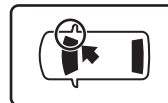
PASSENGER'S
FRONT DOOR
SILL TRIM

2 RETAINING
TABS

DOOR OPENING SEAL
(Remove.)

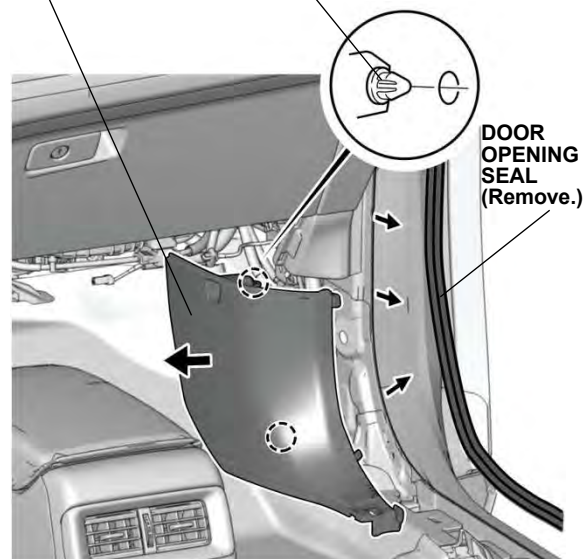
RETAINING TAB

121. Remove the passenger's kick panel.



PASSENGER'S
KICK PANEL

2 CLIPS

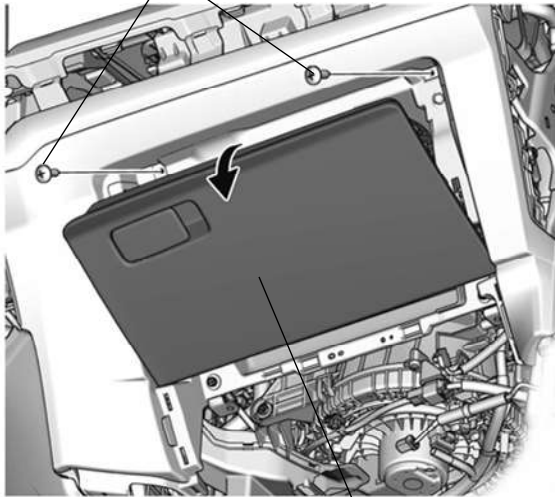


DOOR OPENING SEAL
(Remove.)

- 122. Open the glove box.
- 123. Remove the self-tapping screws.

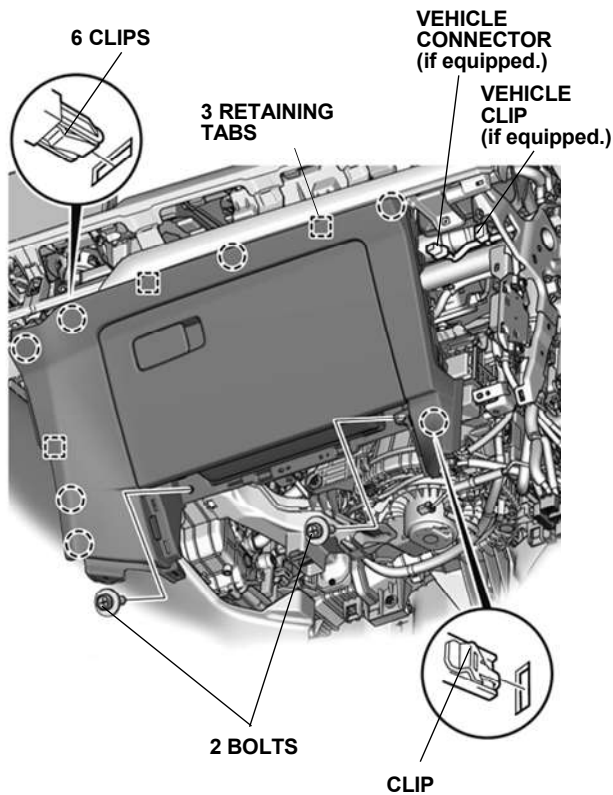


2 SELF-TAPPING SCREWS

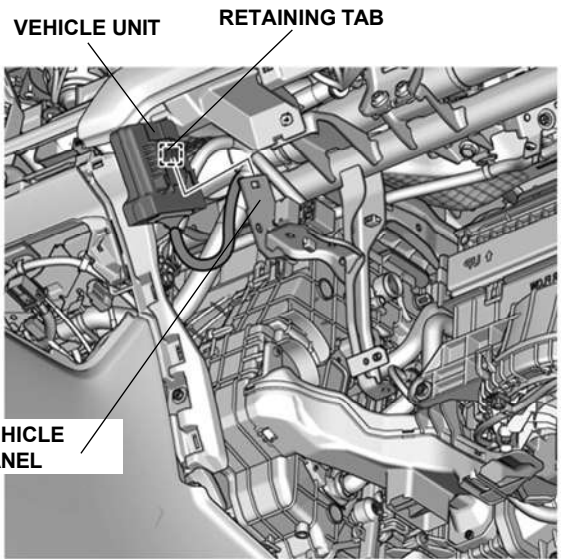


GLOVE BOX

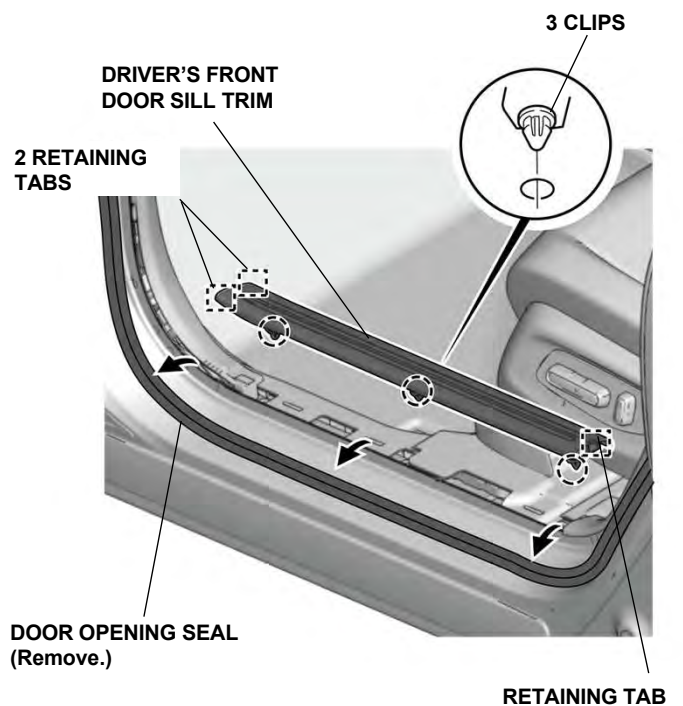
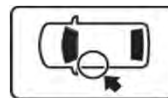
- 124. Close the glove box.
- 125. Remove the glove box.



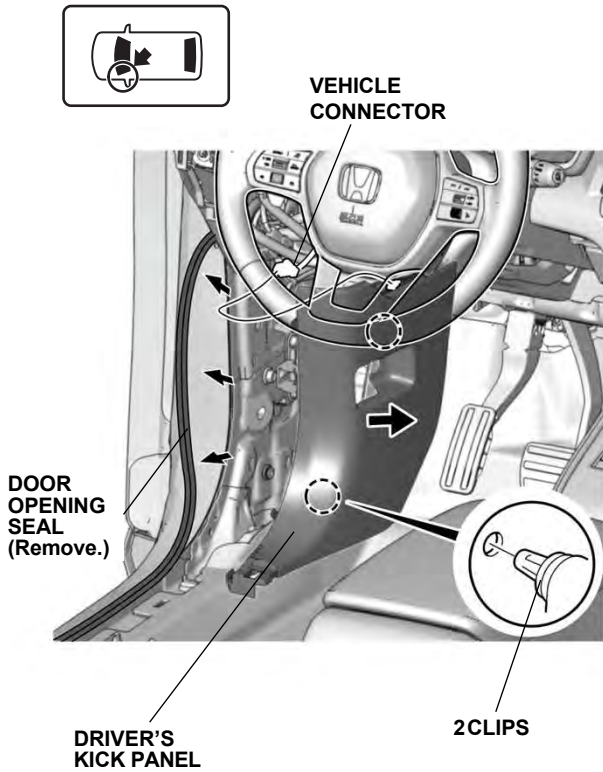
- 126. Release the vehicle unit.



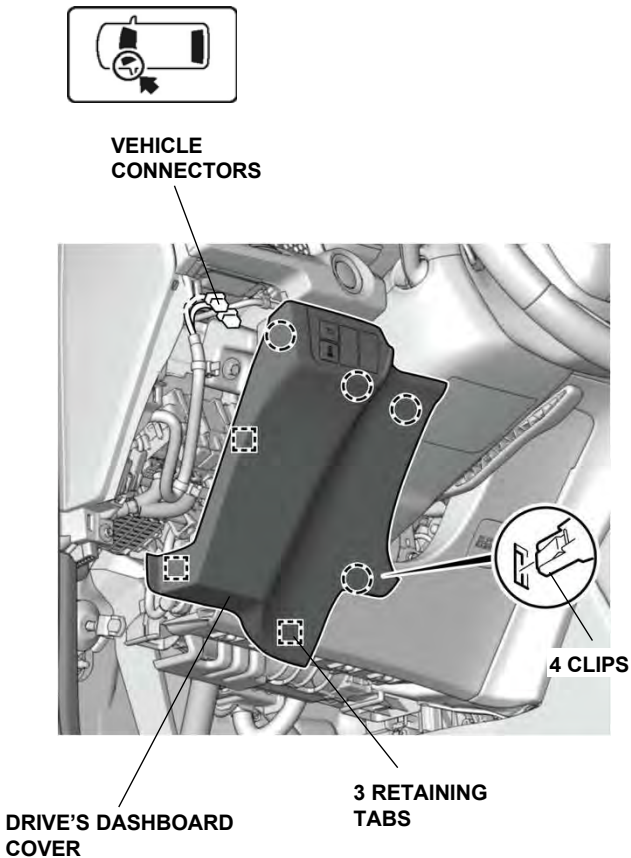
- 127. Remove the driver's door sill trim.



128. Remove the driver's kick panel.



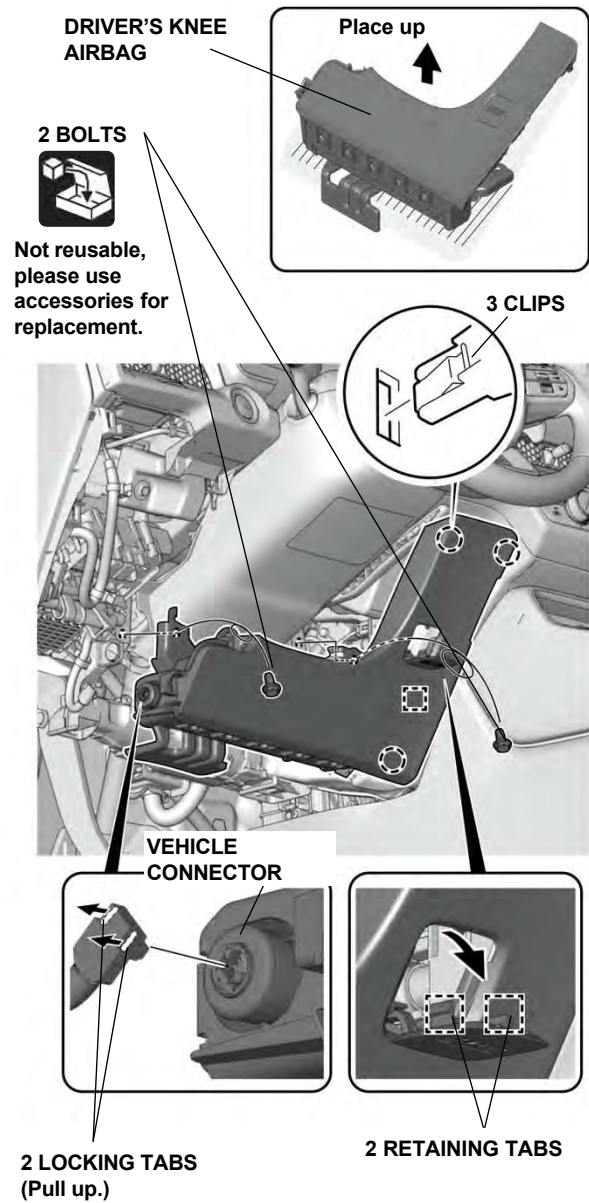
129. Remove the driver's dashboard cover.



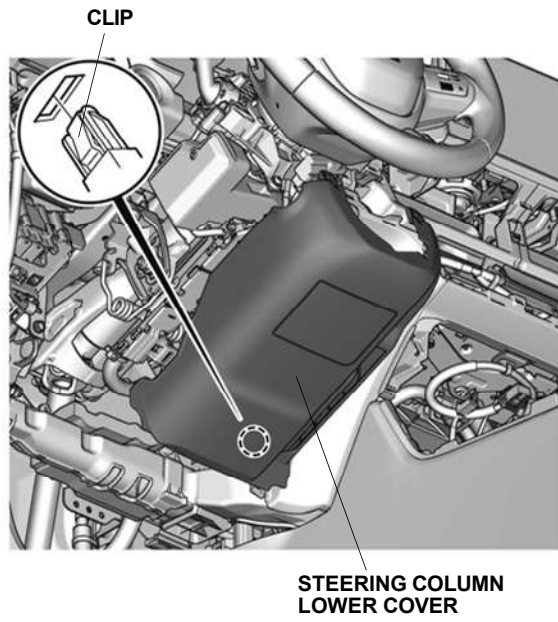
130. Remove the driver's knee airbag.

⚠ CAUTION

- Be careful not to drop or hit other objects while removing the airbag.
- Please place the airbag in a safe place with the top up as shown in the illustration.
- When restoring the airbag, be sure to replace it with the bolt provided in accessories kit.
- Make sure to connect the AIRBAG switch connector before re-install the driver's dashboard side lid.



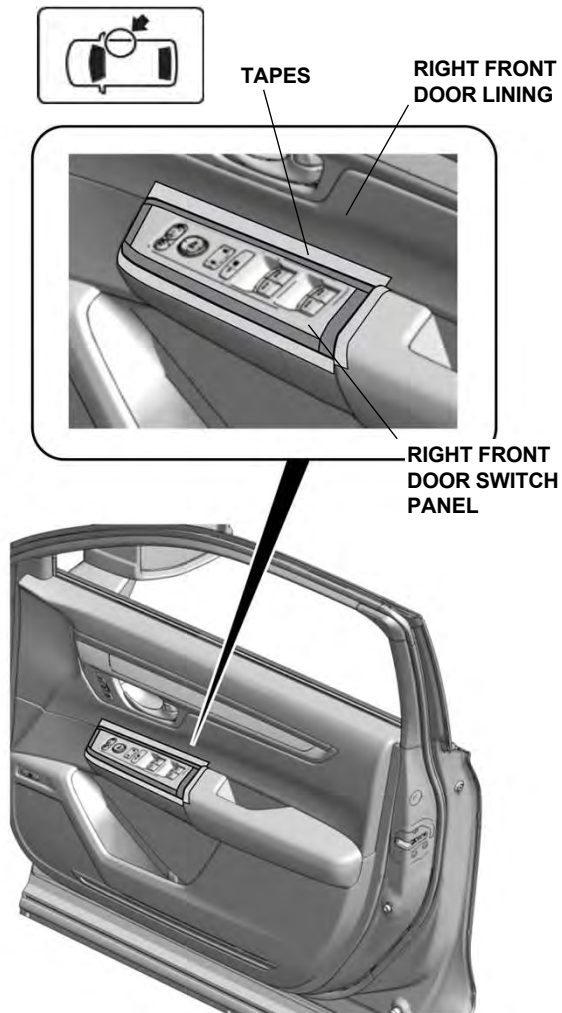
131. Remove the steering column lower cover.



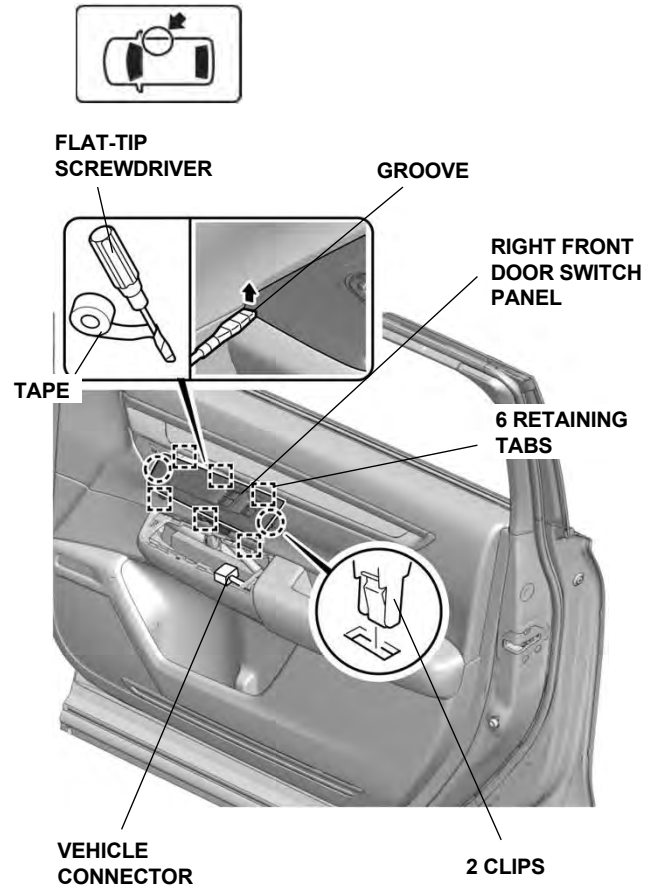
132. Remove the right front door switch panel.

NOTICE

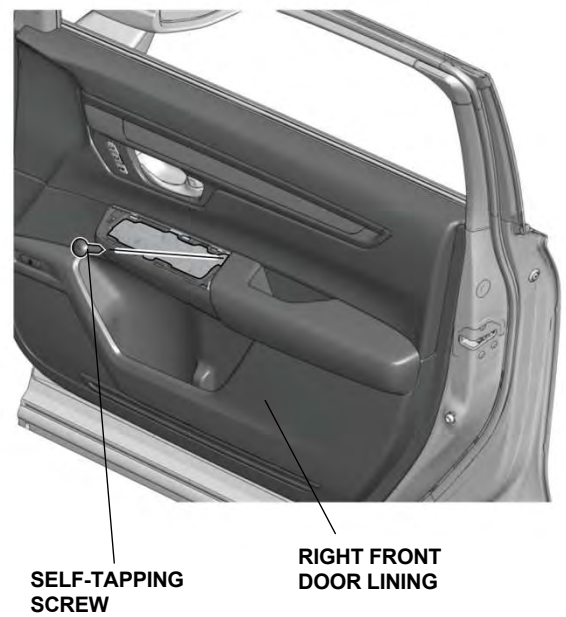
- Do not remove the tapes until after the reinstallation.



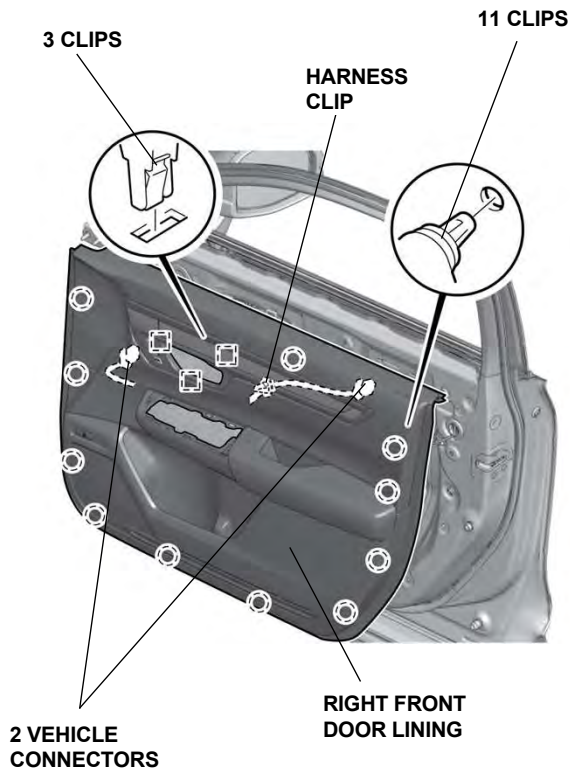
133. Remove the right front door switch panel.



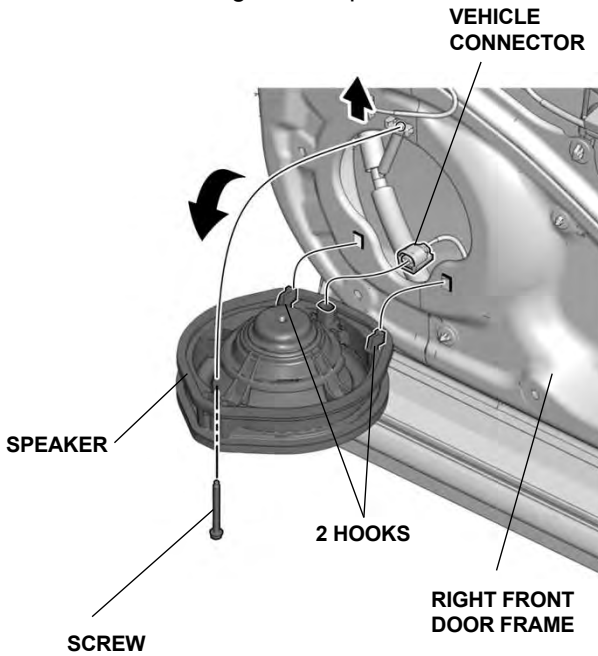
134. Remove the self-tapping screw.



135. Remove the right front door lining.

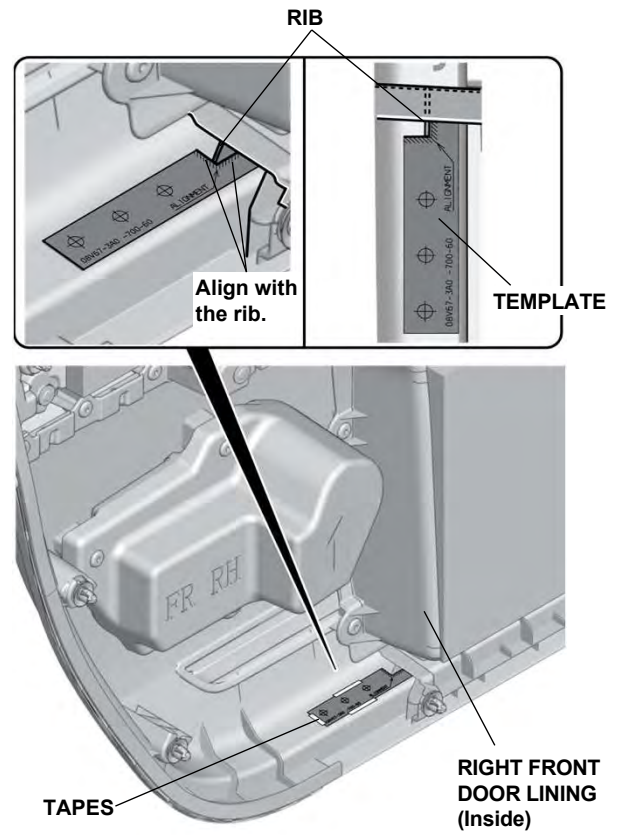


136. Remove the right front speaker.



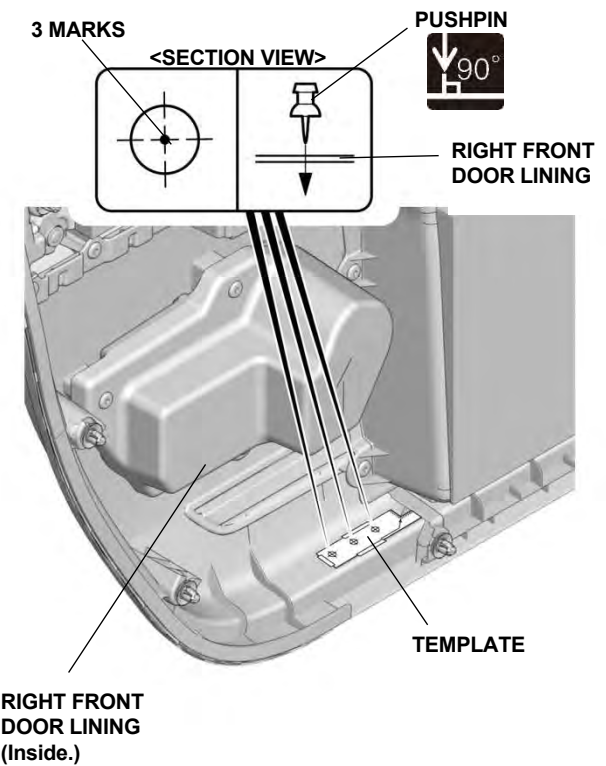
Installing the Lights

137. Secure the template.

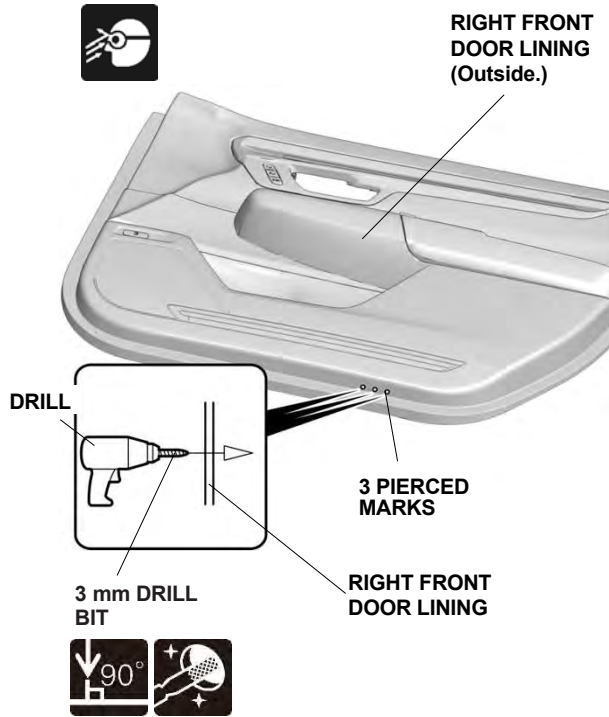


138. Pierce the right front door lining.

139. Remove the template.



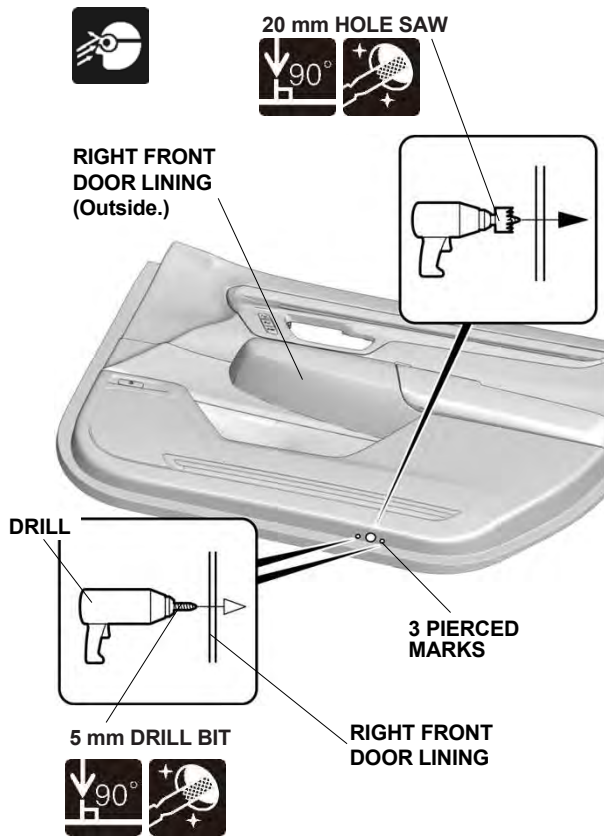
140. Drill the right front door lining.



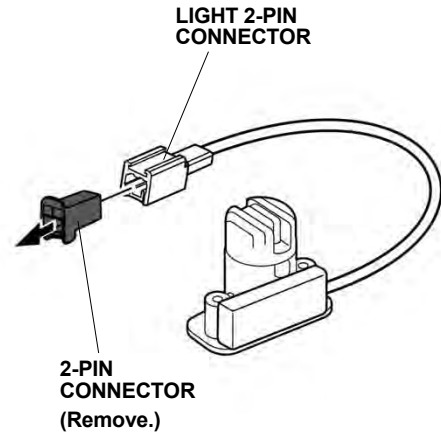
141. Drill the right front door lining.

NOTICE

- Make sure to drill the correct position.



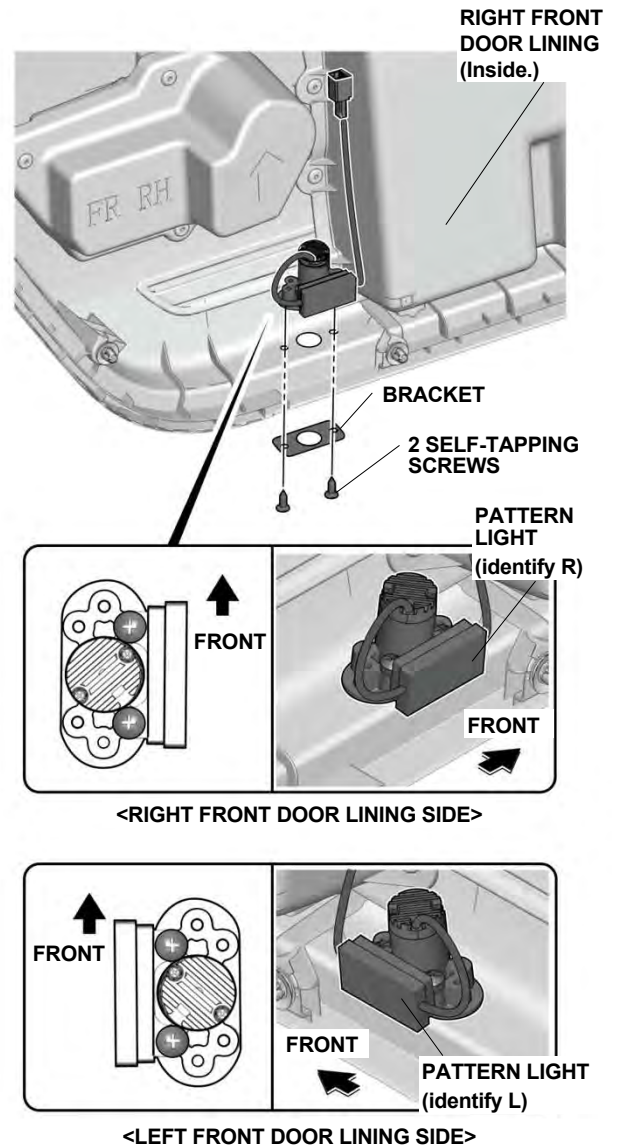
142. Remove the connector.



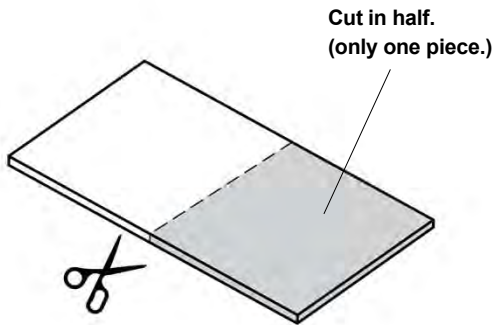
143. Install the light.

NOTICE

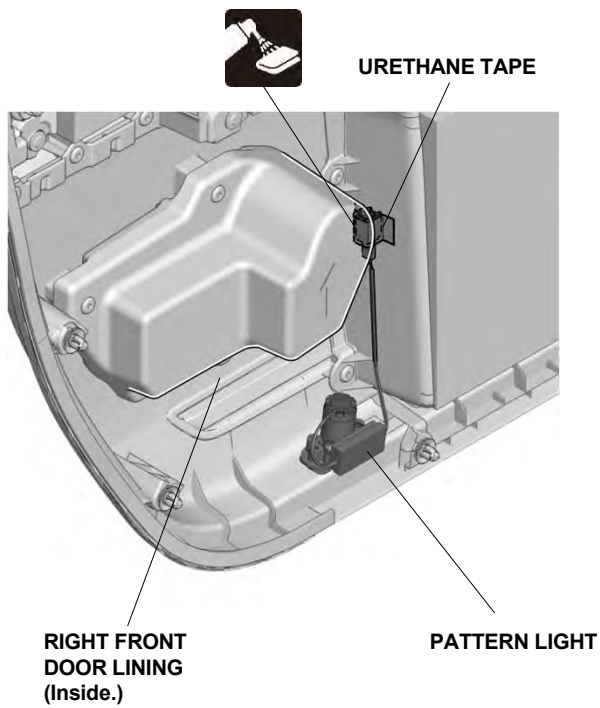
- Make sure to install the light in the correct orientation.



144. Cut the urethane tape.

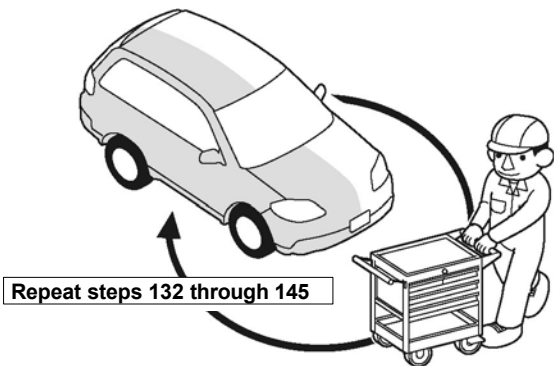


145. Attach the urethane tape.



146. Flip the template.

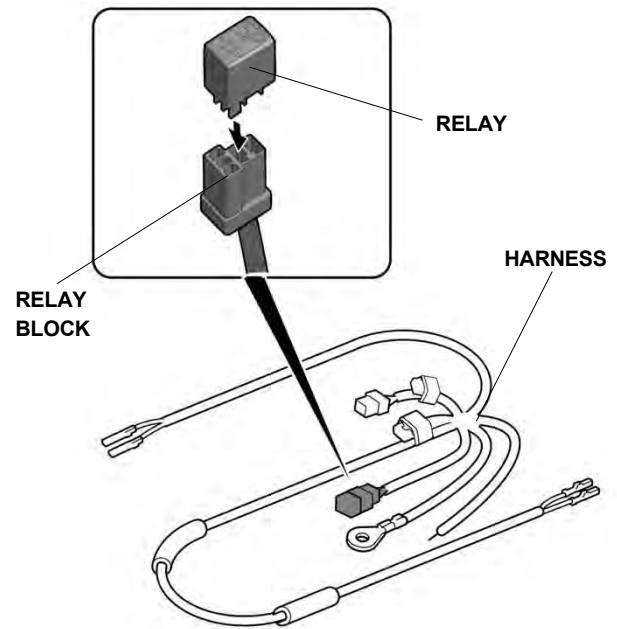
147. Repeat same procedures for the other side.



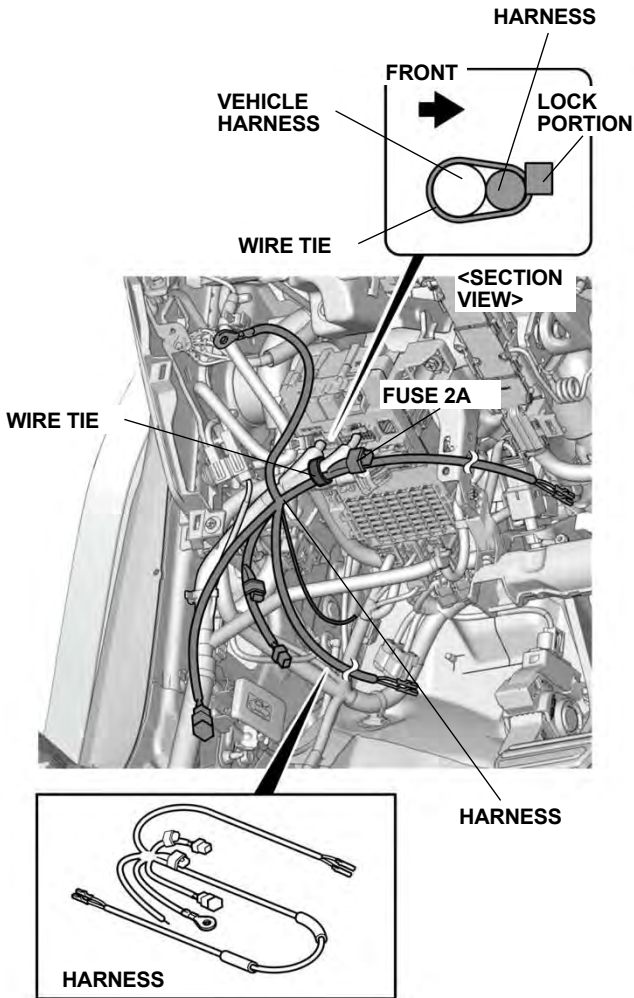
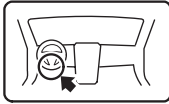
Q9D1014AM

Routing the Harness

148. Connect the relay.



149. Route the harness.



• Without other accessory harness

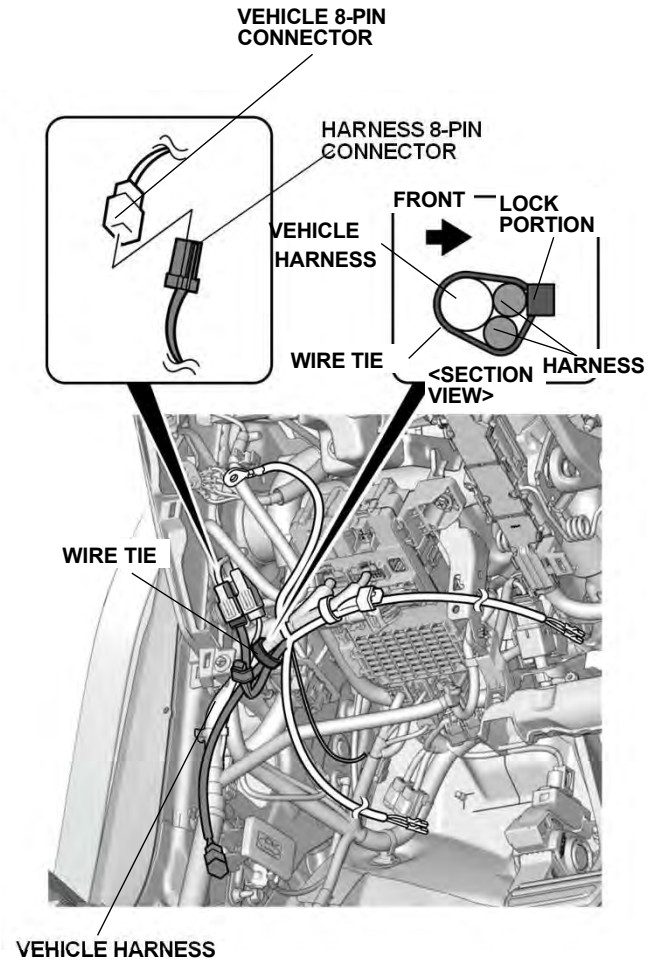
To Step 150

• With other accessory harness

To Step 151

<Without other accessory harness 8-pin connector>

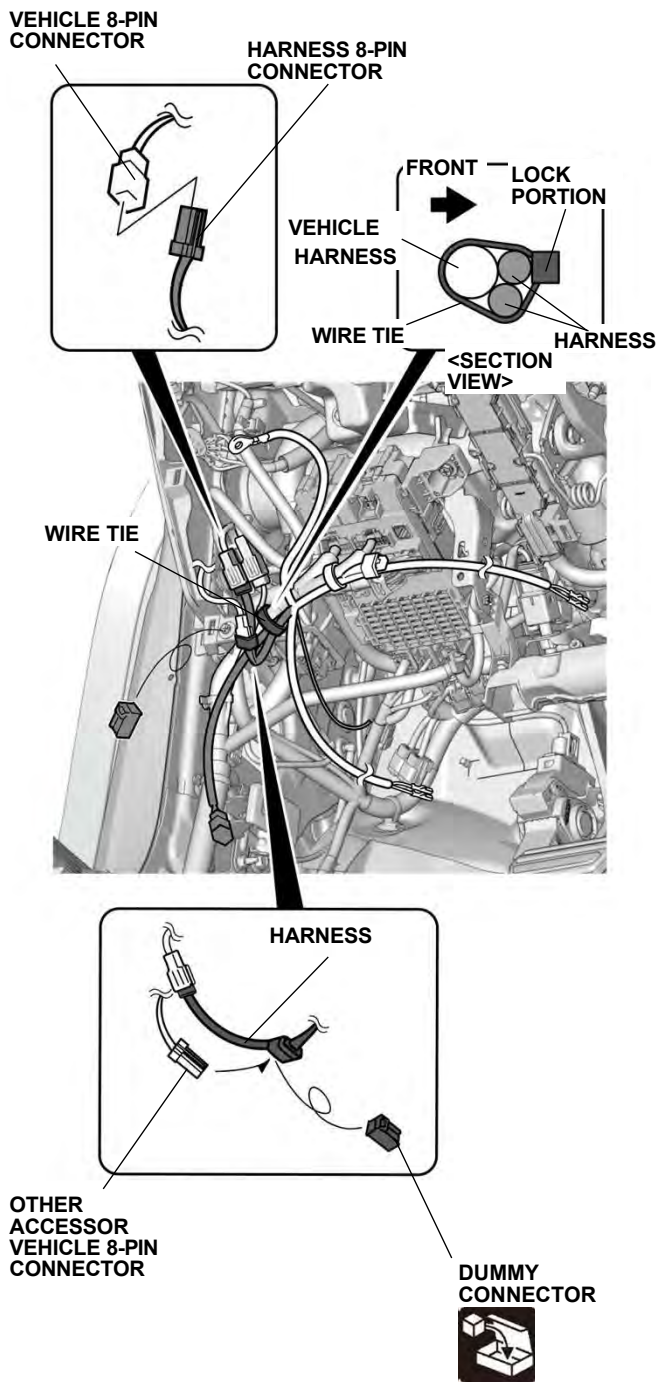
150. Connect the harness connector.



To step 152

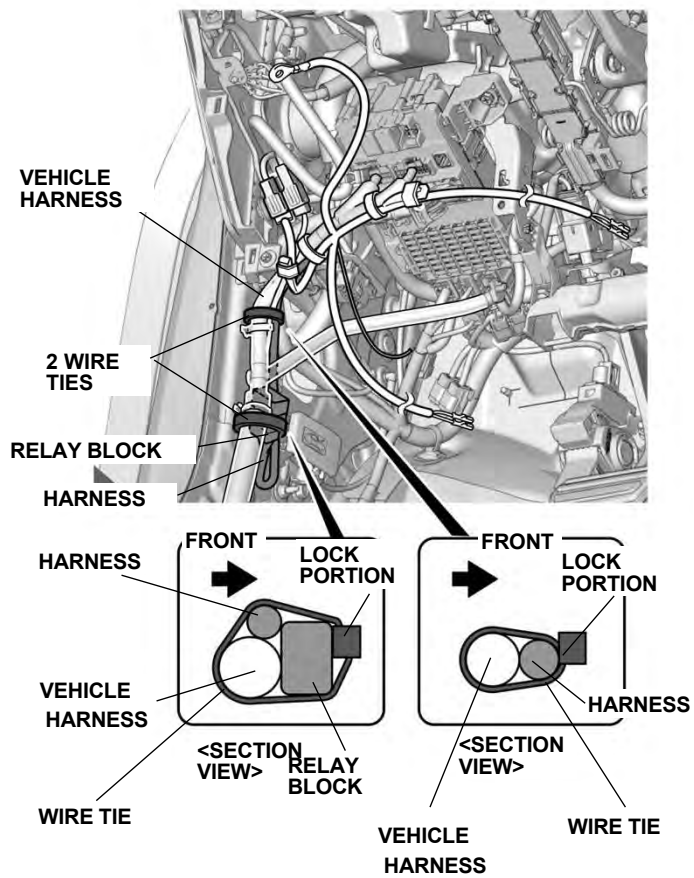
<With other accessory harness 8-pin connector>

151. Connect the harness connector.

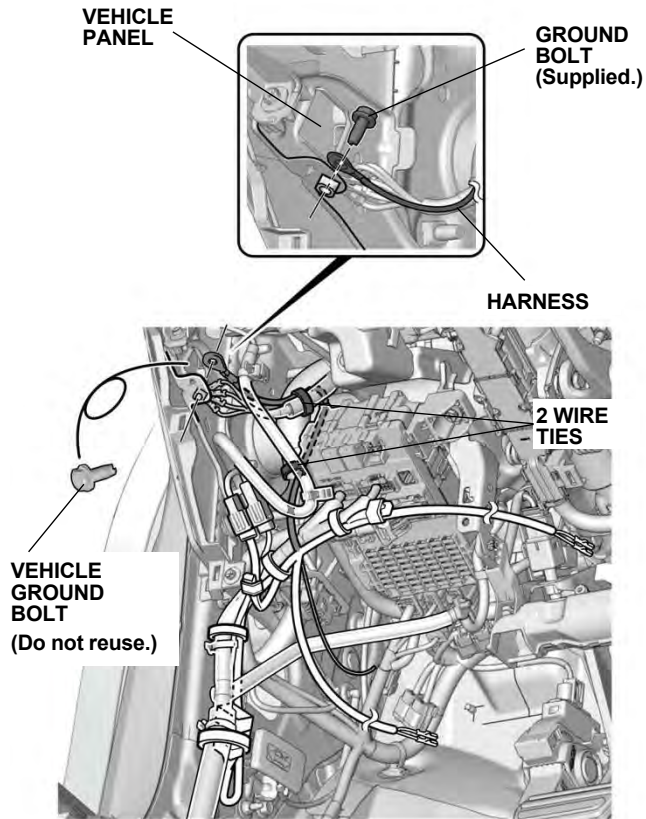


152. Secure the relay block.

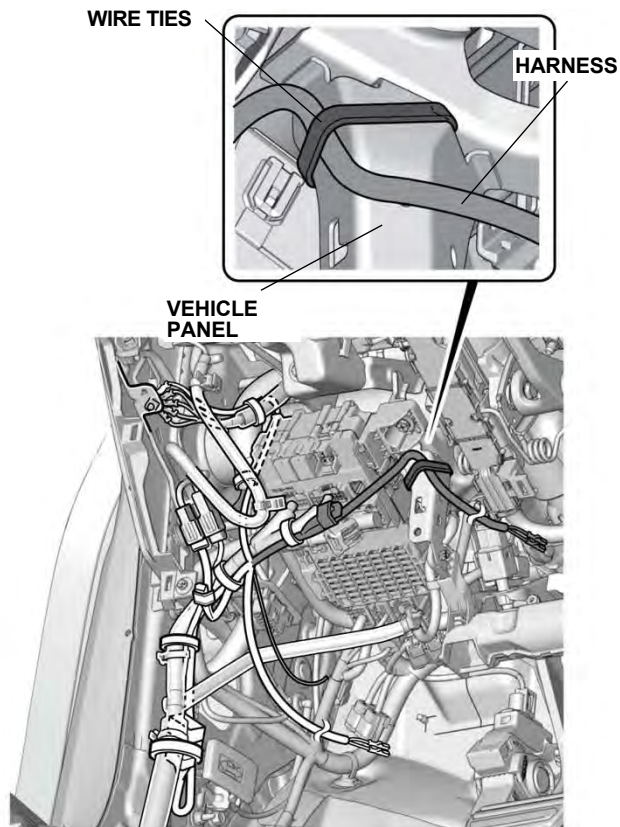
153. Secure the harness.



154. Secure the ground terminal.



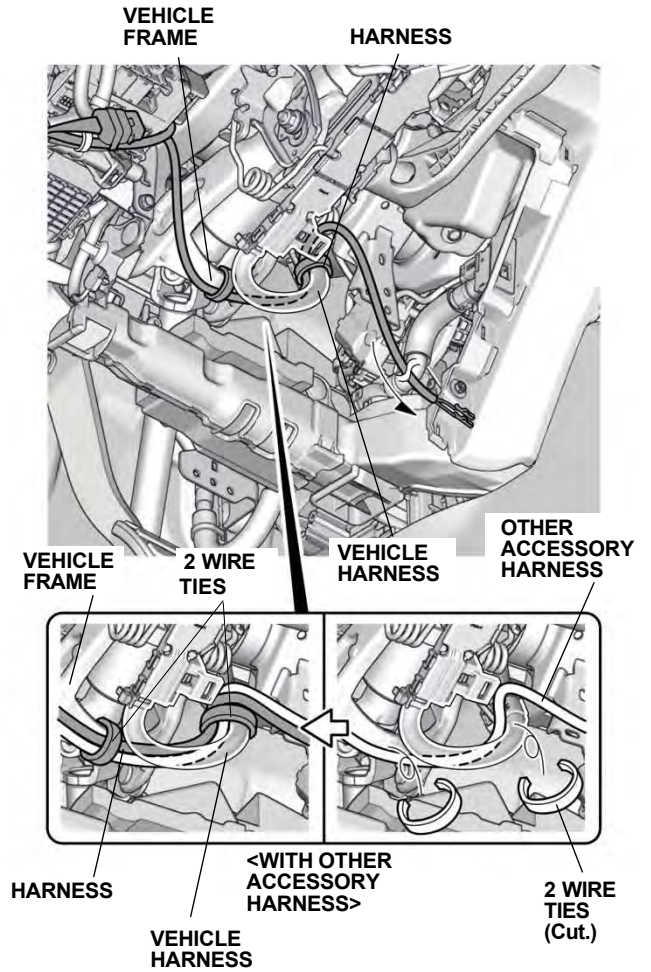
155. Route and secure the harness.



156. Secure the harness.

NOTICE

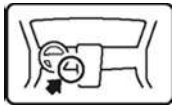
- Be careful not to damage the harness.



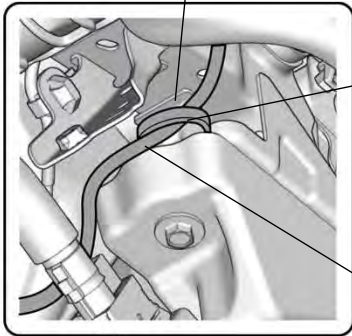
157. Secure the harness.

NOTICE

- Be careful not to damage the harness.



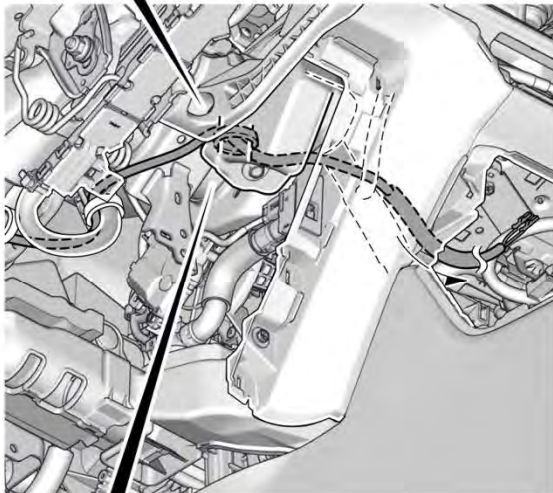
VEHICLE FRAME



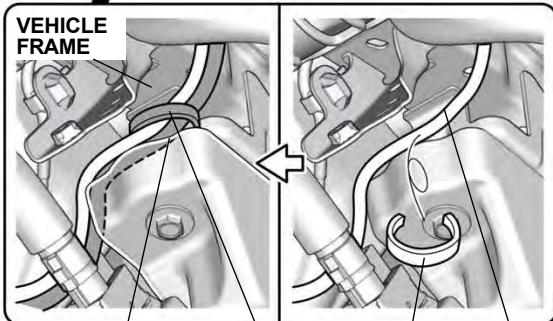
WIRE TIE

HARNESS

<OPPOSITE SIDE VIEW>



<OPPOSITE SIDE VIEW:
WITH OTHER ACCESSORY HARNESS>



VEHICLE
FRAME

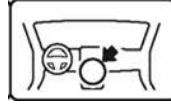
HARNESS

WIRE
TIE

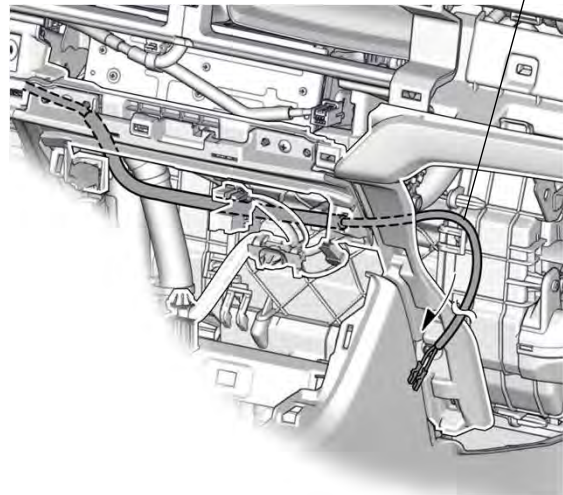
WIRE TIE
(Cut.)

OTHER
ACCESSORY
HARNESS

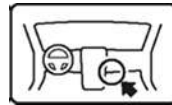
158. Route the harness.



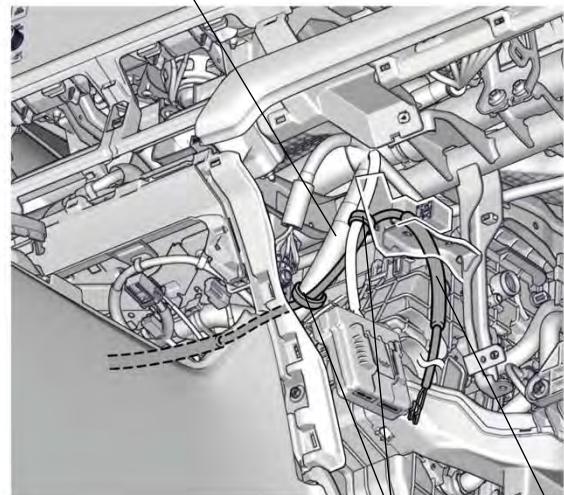
HARNESS



159. Secure the harness.



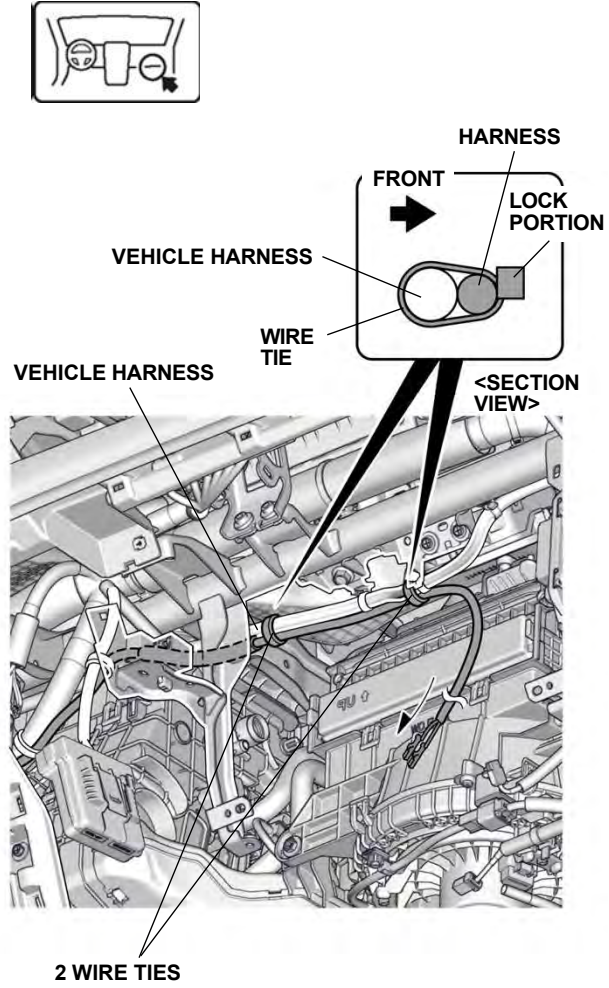
VEHICLE HARNESS



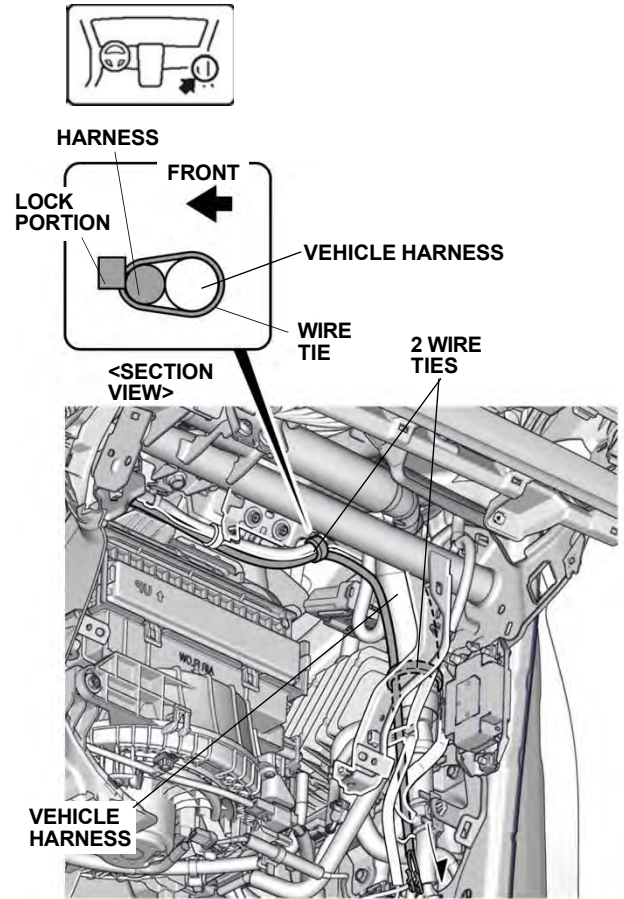
2 WIRE TIES

HARNESS

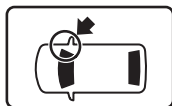
160. Secure the harness.



161. Secure the harness.

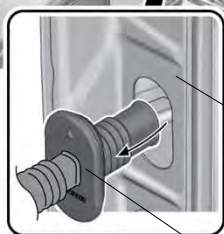
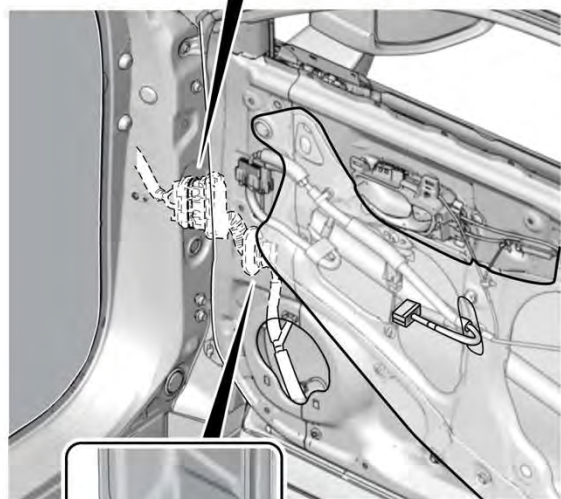
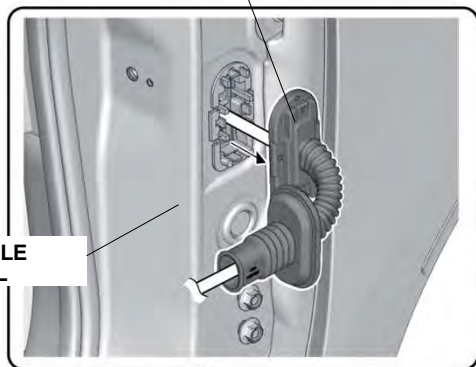


162. Release the vehicle grommet.



VEHICLE GROMMET

VEHICLE PANEL



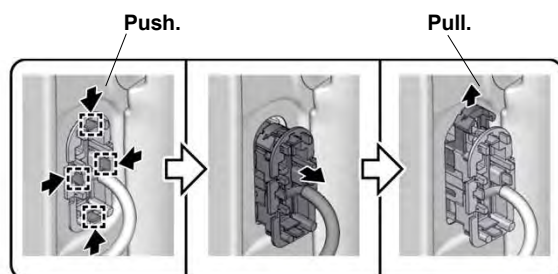
VEHICLE PANEL

VEHICLE GROMMET

163. Release the vehicle connector.

NOTICE

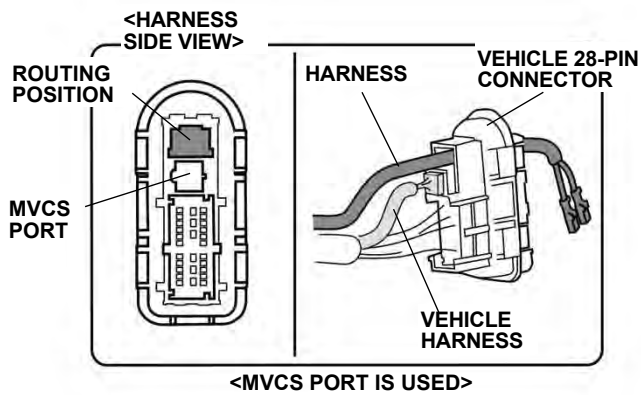
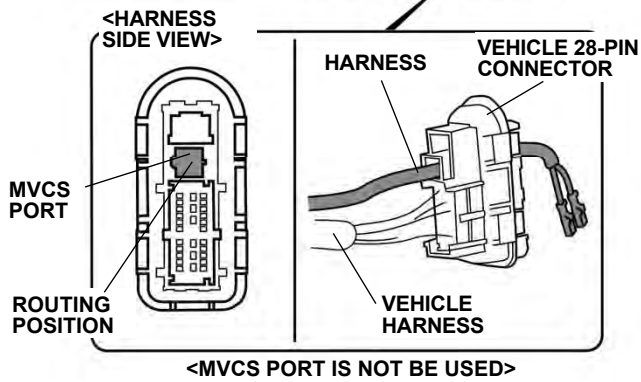
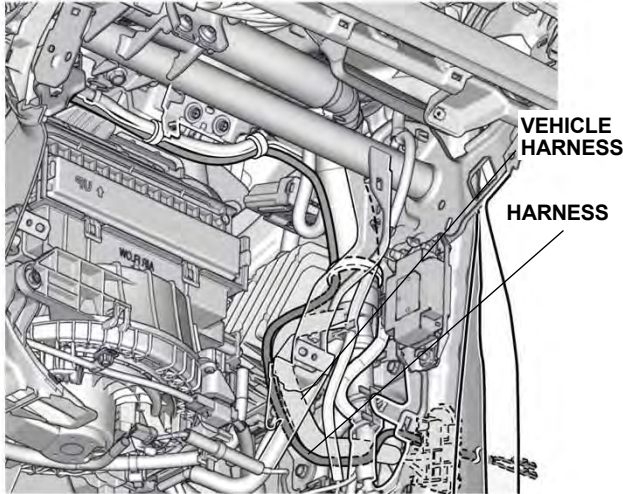
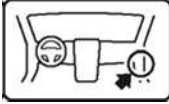
- Optimized the angle of the door for easier removal.



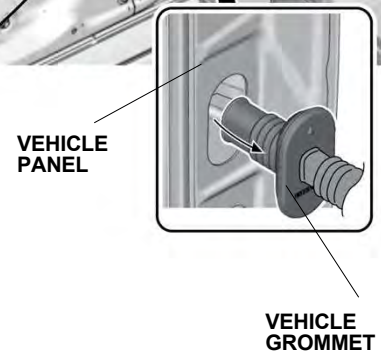
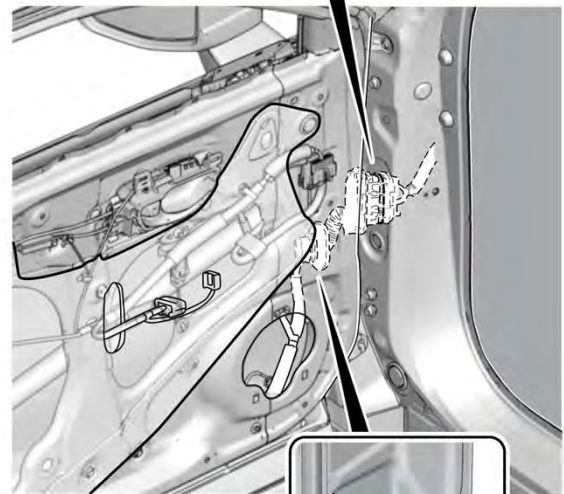
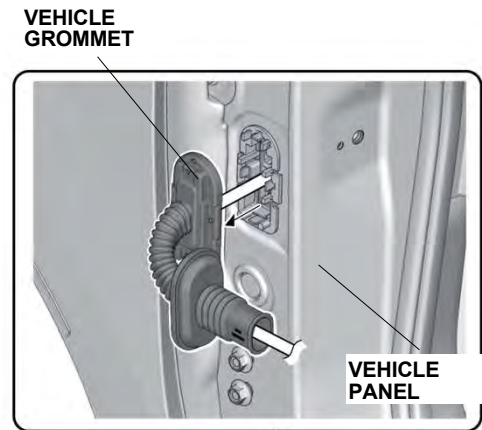
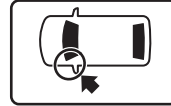
VEHICLE CONNECTOR

VEHICLE GROMMET

164.Route the harness.



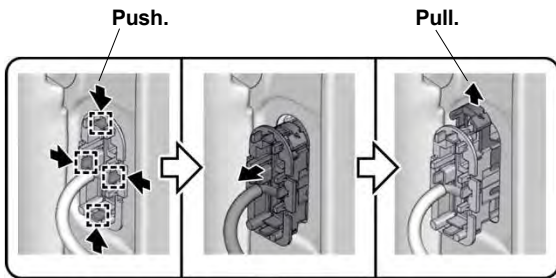
165. Release the vehicle grommet.



166. Release the vehicle connector.

NOTICE

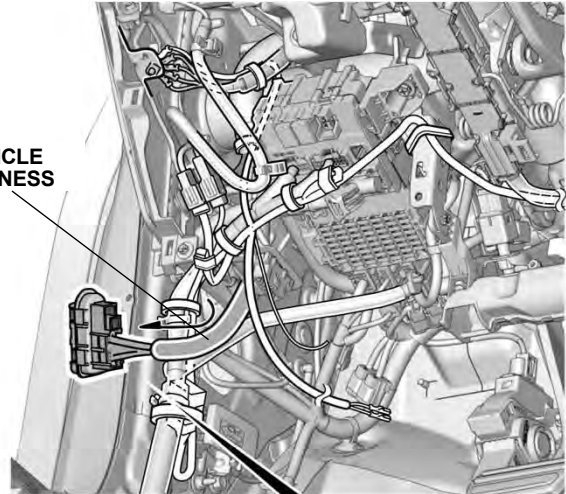
- Optimized the angle of the door for easier removal.



VEHICLE GROMMET

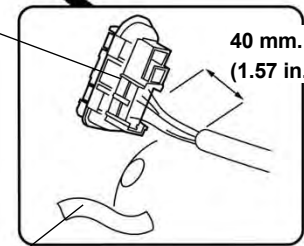
VEHICLE CONNECTOR

167. Remove the tape.



VEHICLE HARNESS

VEHICLE 28-PIN CONNECTOR



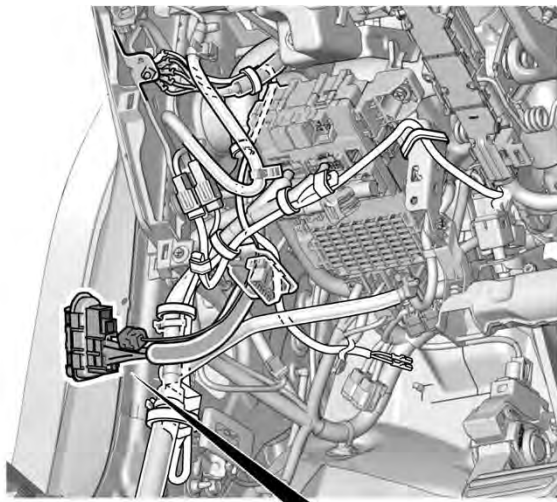
40 mm.
(1.57 in.)

TAPE
(Peel off.)

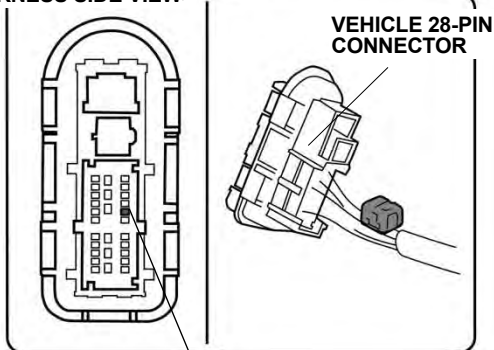
168. Connect the harness cord.

NOTICE

- Make sure to correctly connect the cord.

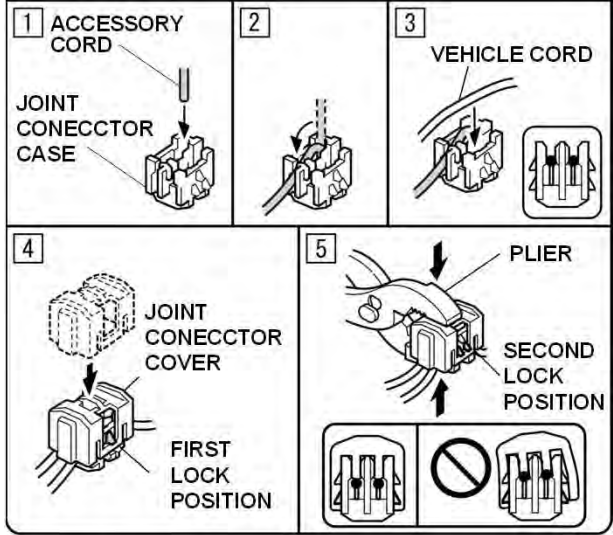


<HARNESS SIDE VIEW>



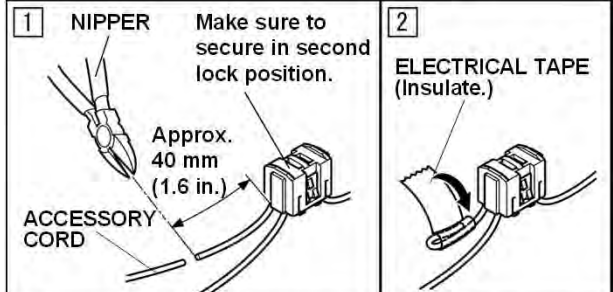
VEHICLE CORD:
SKY BLUE
ACCESSORY CORD :
YELLOW / WHITE

How to use the Joint Connector



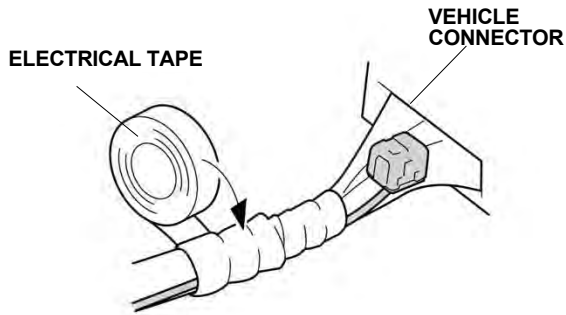
How to deal with the incorrectly secured joint connector.

Do not remove the secured joint connector once.

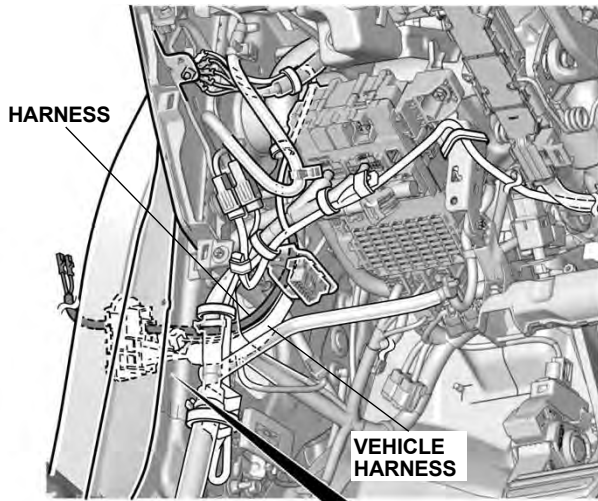


3 Use the new joint connector to secure the accessory cord to the correct cord.

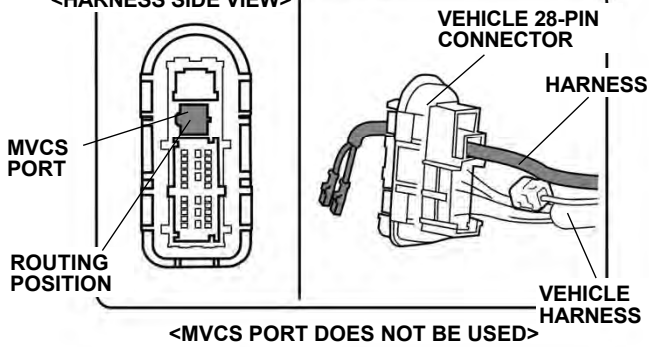
169. Secure the harness.



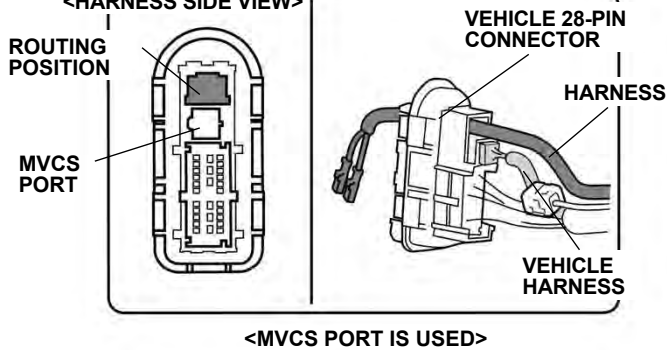
170. Route the harness.



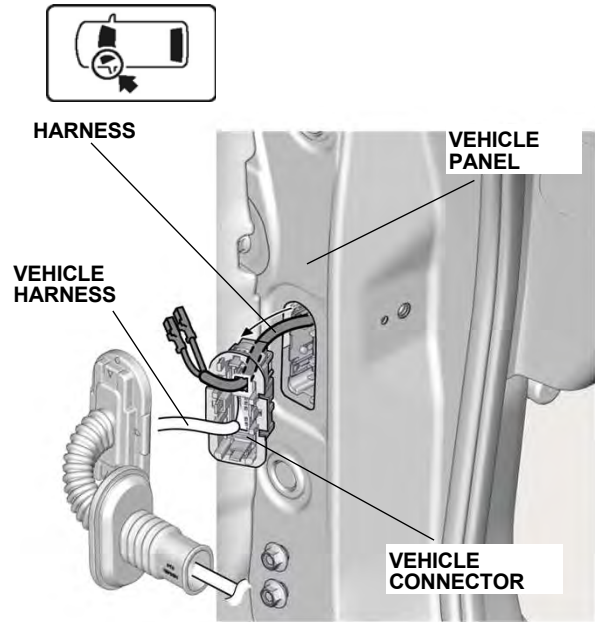
<HARNESS SIDE VIEW>



<HARNESS SIDE VIEW>



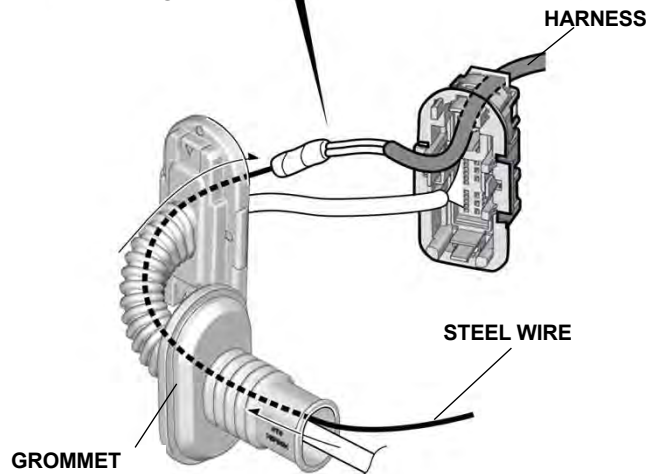
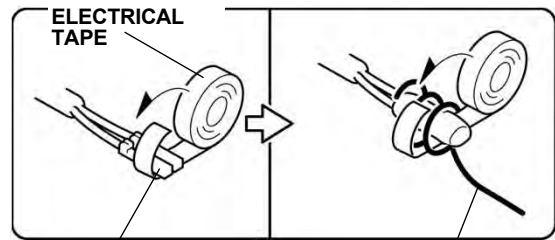
171. Route the harness.



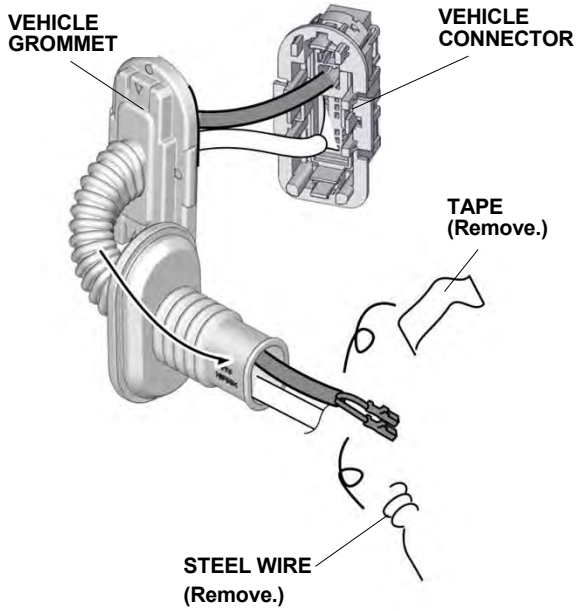
172. Route the steel wire.
173. Attach the steel wire.

NOTICE

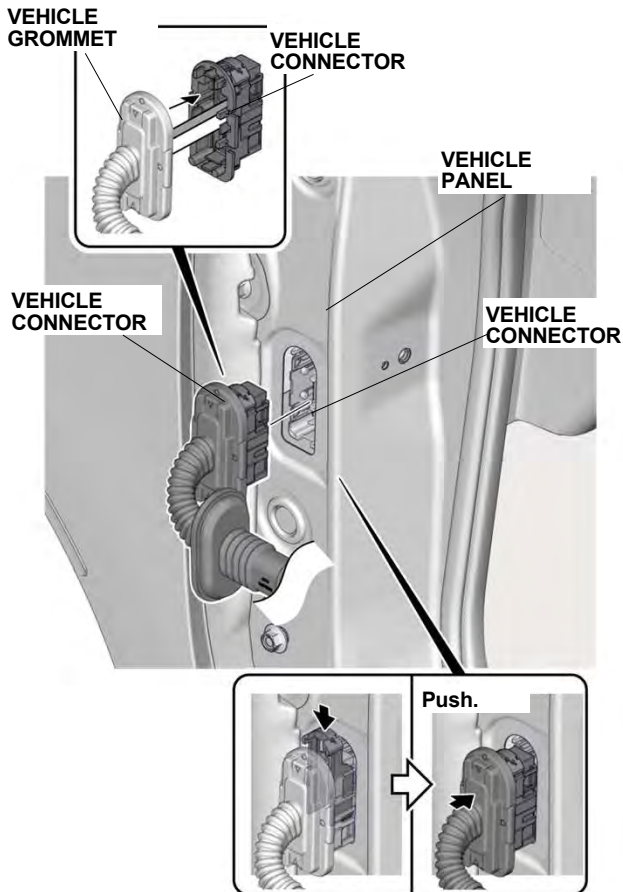
- Do not damage the vehicle grommet or the vehicle harness with the steel wire.
- Make sure that the steel wire is not caught between the vehicle harness inside the vehicle grommet.
- Wrap an electrical tape around the whole harness terminals.



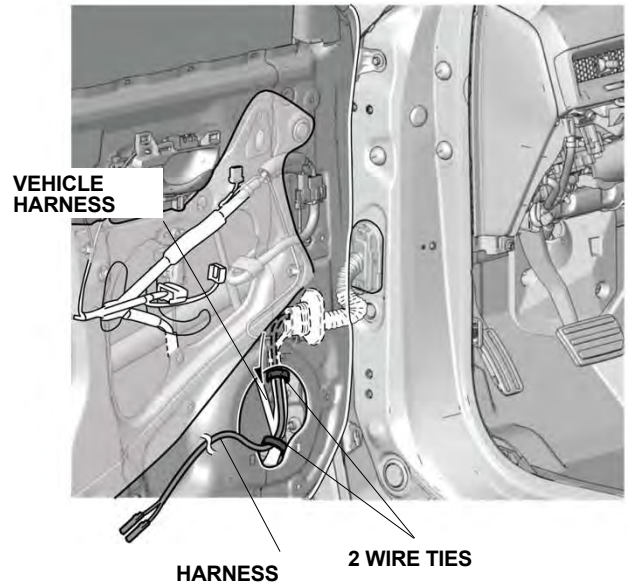
- 174. Route the harness.
- 175. Remove the steel wire.



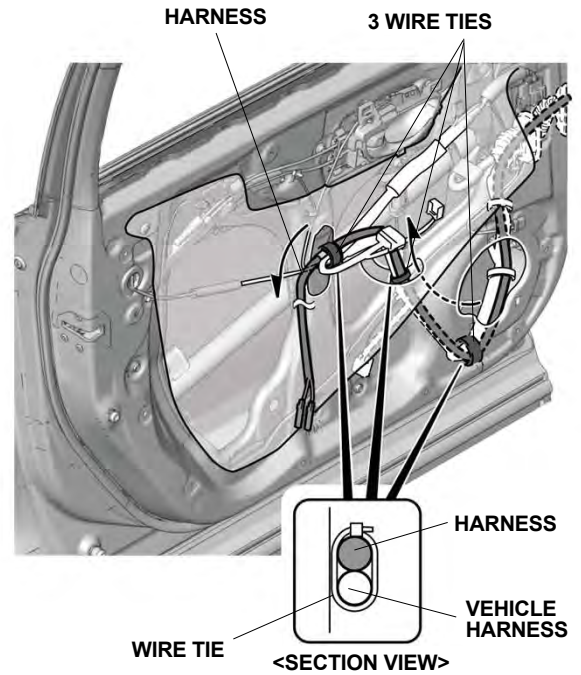
- 176. Reinstall the vehicle grommet.
- 177. Reconnect the vehicle connector.



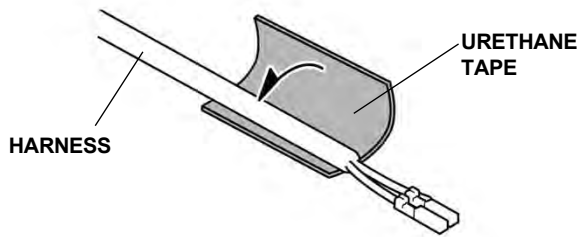
- 178. Route the harness.
- 179. Secure the harness.



- 180. Route the harness.
- 181. Secure the harness.



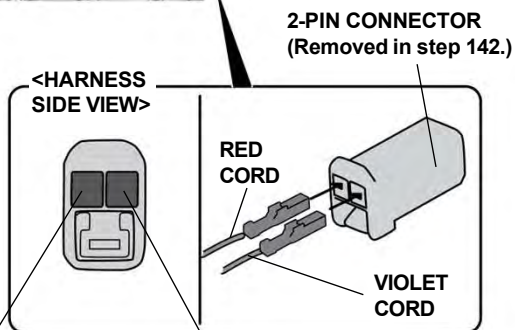
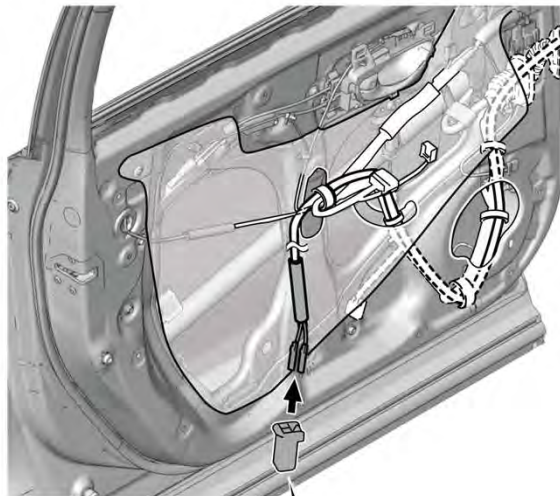
182. Wrap the urethane tape.



183. Connect the terminals.

NOTICE

- Make sure to insert the terminals in the correct position and orientation.
- Make sure to correctly insert the terminals.



Red cord connect to Red cord.

Violet cord connect to Black cord.

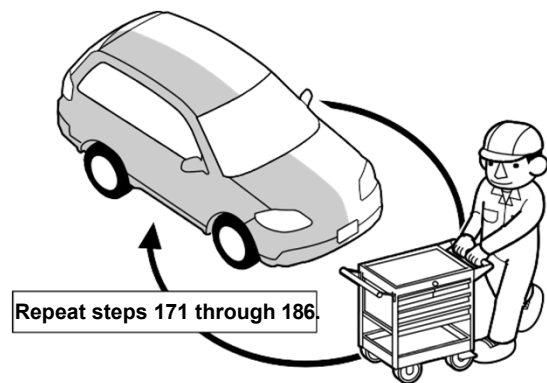
184. Reinstall the left front speaker.
185. Connect the harness connector.
186. Reinstall the left front door lining.



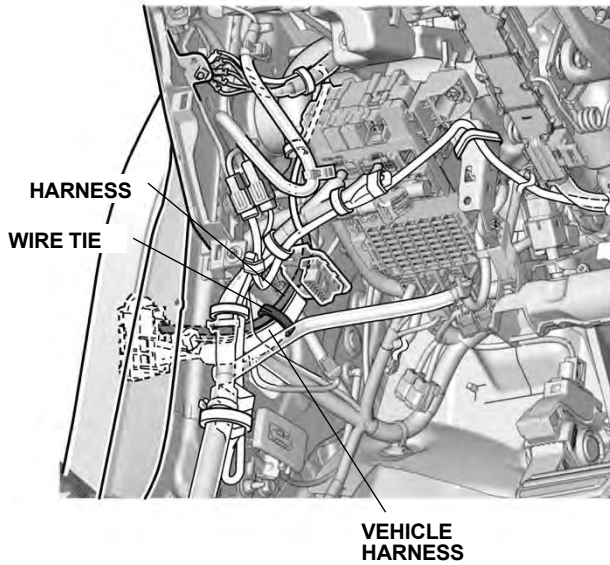
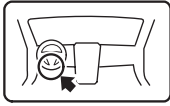
HARNESS 2-PIN CONNECTOR

LIGHT 2-PIN CONNECTOR

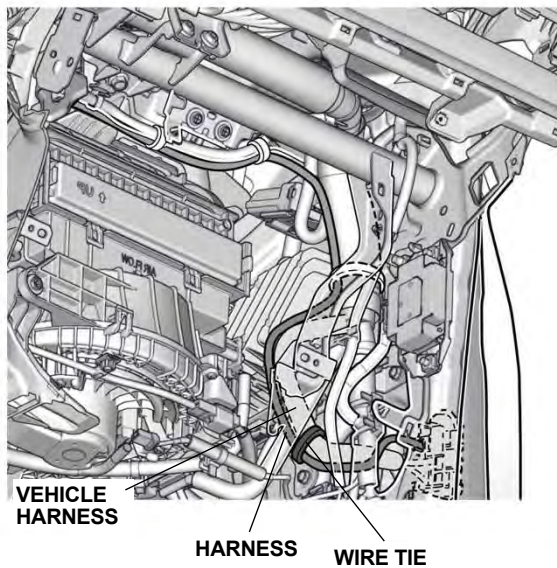
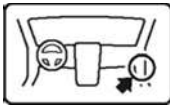
187. Repeat the same procedures for the other side.



188. Secure the harness.



189. Secure the harness.

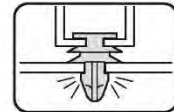
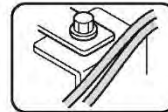


Check After Installation

190. Check that all parts are routed and installed properly.

NOTICE

- Check that the harnesses are not pushed, not pulled and not pinched.
- Check that all clamps and wire ties are installed securely



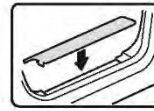
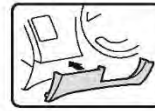
Q060706CM

Reinstalling the All Removed Parts

191. Reinstall all removed parts.

NOTICE

- Be extremely careful not to damage the vehicle parts, pinch the harnesses.
- Make sure to secure the retaining tabs and clips properly to avoid separation.



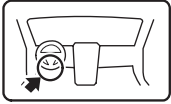
Q060703CM

Installing the Knee Airbag (LHD Models)

192. Reinstall the driver's knee airbag.

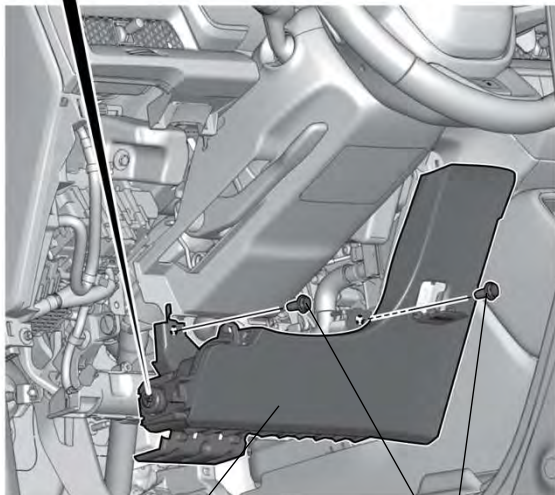
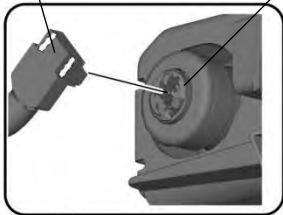
NOTICE

- Make sure to replace with the bolt included in this kit.



VEHICLE CONNECTOR

AIRBAG



2 BOLTS
(Supplied.)

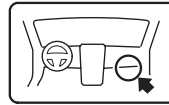
DRIVER'S KNEE AIRBAG

P
N-m 6.9-14.4 N.m
(0.7-1.5 kgf.m,
5.1-11 lbf.ft)

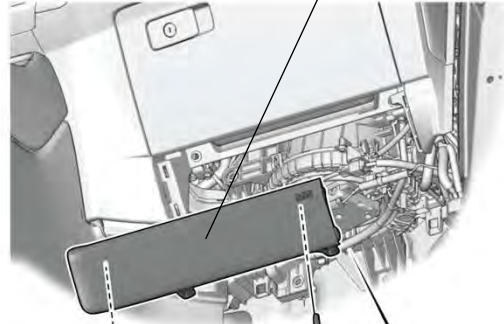
193. Reinstall the passenger's knee airbag.

NOTICE

- Make sure to replace with the bolt included in this kit.

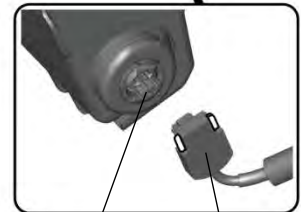


PASSENGER'S AIRBAG



2 BOLTS
(Supplied)

P
N-m 6.9-14.4 N.m
(0.7-1.5 kgf.m,
5.1-11 lbf.ft)



AIRBAG

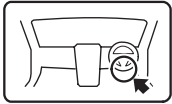
VEHICLE CONNECTOR

Installing the Knee Airbag (RHD Models)

194. Reinstall the driver's knee airbag.

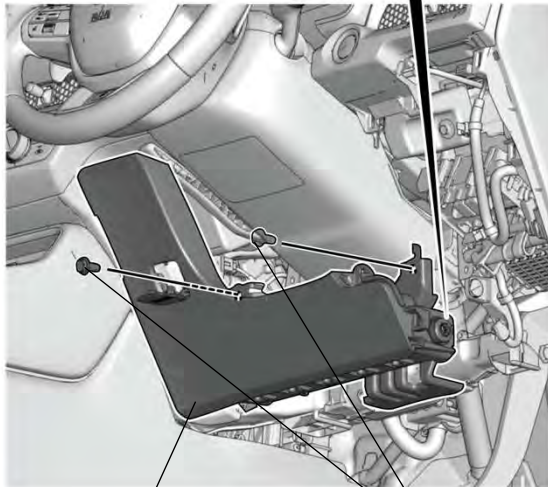
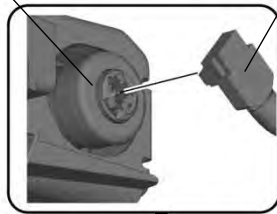
NOTICE

- Make sure to replace with the bolt included in this kit.



AIRBAG

VEHICLE CONNECTOR



DRIVER'S KNEE AIRBAG

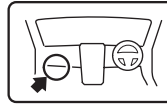
2 BOLTS (Supplied.)

P N-m 6.9-14.4 N.m
(0.7-1.5 kgf.m,
5.1-11 lbf.ft)

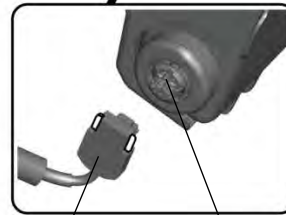
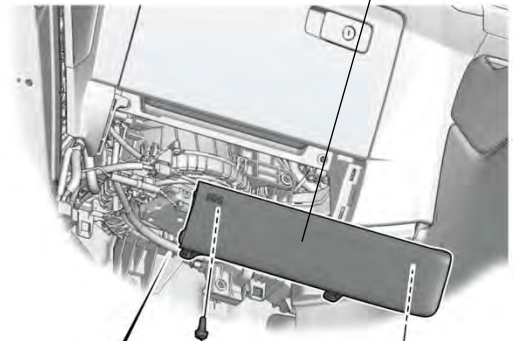
195. Reinstall the passenger's knee airbag.

NOTICE

- Make sure to replace with the bolt included in this kit.



PASSENGER'S KNEE AIRBAG



VEHICLE CONNECTOR

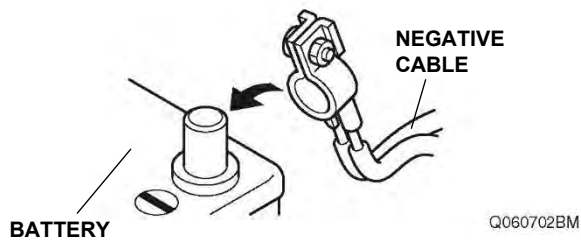
AIRBAG

2 BOLTS (Supplied.)

P N-m 6.9-14.4 N.m
(0.7-1.5 kgf.m,
5.1-11 lbf.ft)

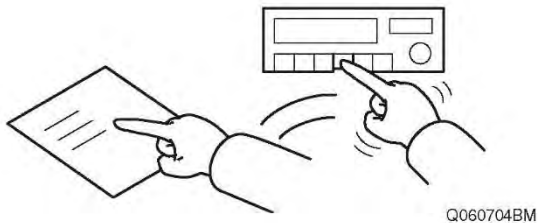
Operation Check

196. Reconnect the negative cable to the battery.
197. Check that the light comes on by opening a door.



Vehicle Check

198. Check that the electric accessories and systems operate properly.
199. Press and hold the audio power button for two seconds, or enter anti-theft code for the audio / navigation system.
200. Reset the memory of each equipment and restore the positions of those control knobs.



MAINTENANCE

Fuse Location

- For the location of the 2A fuse, refer to below step.
RHD models : step 55.
LHD models: step 149.