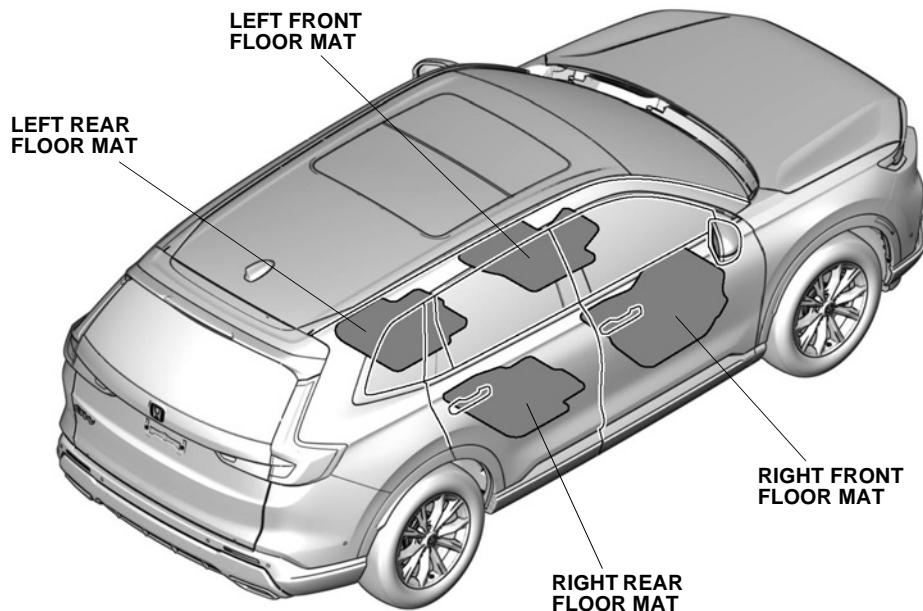


FLOOR MATS

*CR-V*

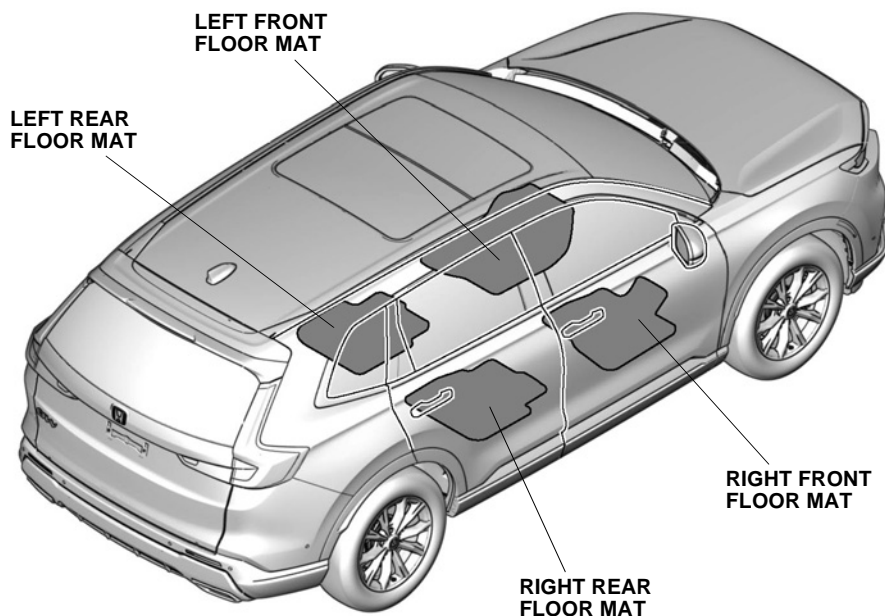
### GENERAL VIEW

<LHD models>



QM62301AA

<RHD models>



QM62302AA

# FOR YOUR SAFETY (Read carefully)

## Introduction of Symbol Messages

- These symbols warn you about the possible hazards and explain how to avoid them. And give you some advices.



You will be killed or seriously hurt if you do not follow the instructions.



You can be killed or seriously hurt if you do not follow the instructions.



You can be hurt if you do not follow the instructions.



Gives advice to prevent damage to the product.  
Gives helpful information or instructions to be followed in using the product.



Indicates prohibited actions.

## Introduction of Icons

- These icons indicate the working place and the worker's vision.



The place for the vehicle.



The place for the instrument panel.

- These icons indicate the necessary things for your safety and the work.



Wear eye protection.



Wear heavy gloves.



Work with an assistant.



Place the part on a blanket.



Remove any burrs.



Use the touch-up paint and dry.



Keep the parts and give it to the customer.  
(Not use)



Press firmly.



Tighten by specified torque.



Work perpendicularly.



Clean with the contact cleaner.

## Safety: General

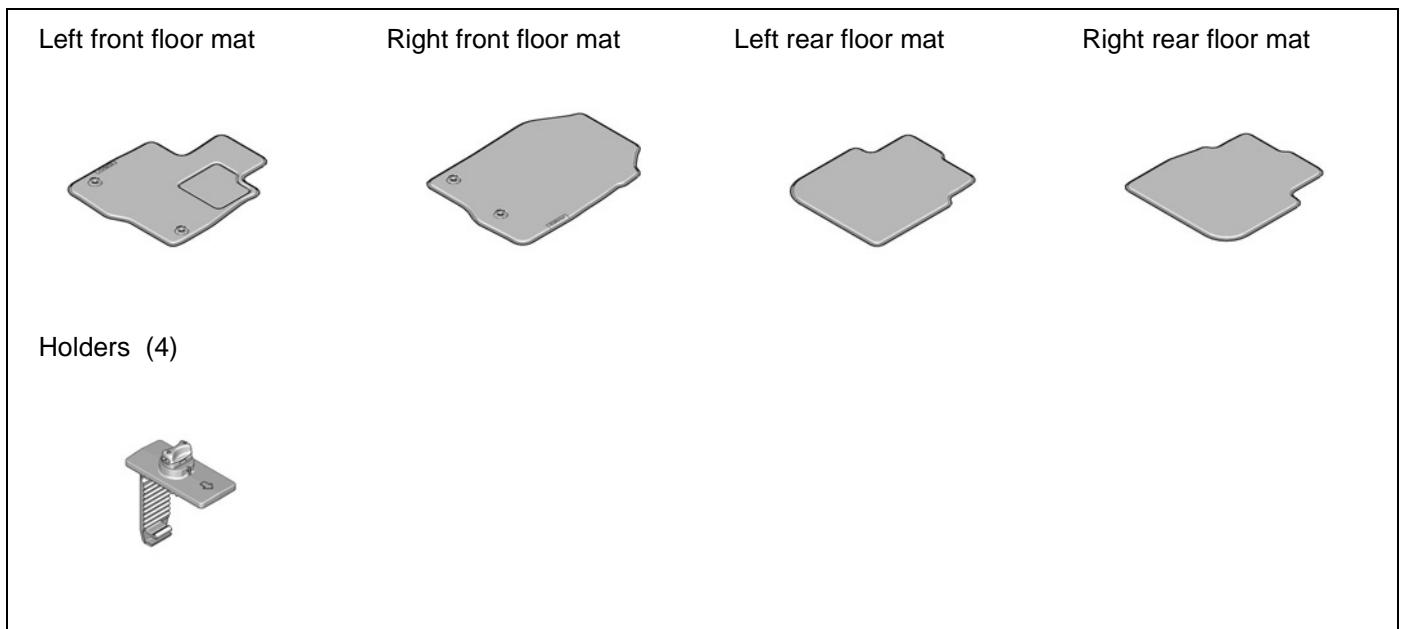
- Be careful not to damage the vehicle and the parts.
- The illustrations may differ a little from the actual accessories for the design change of the vehicle.

## Safety: For the Accessory

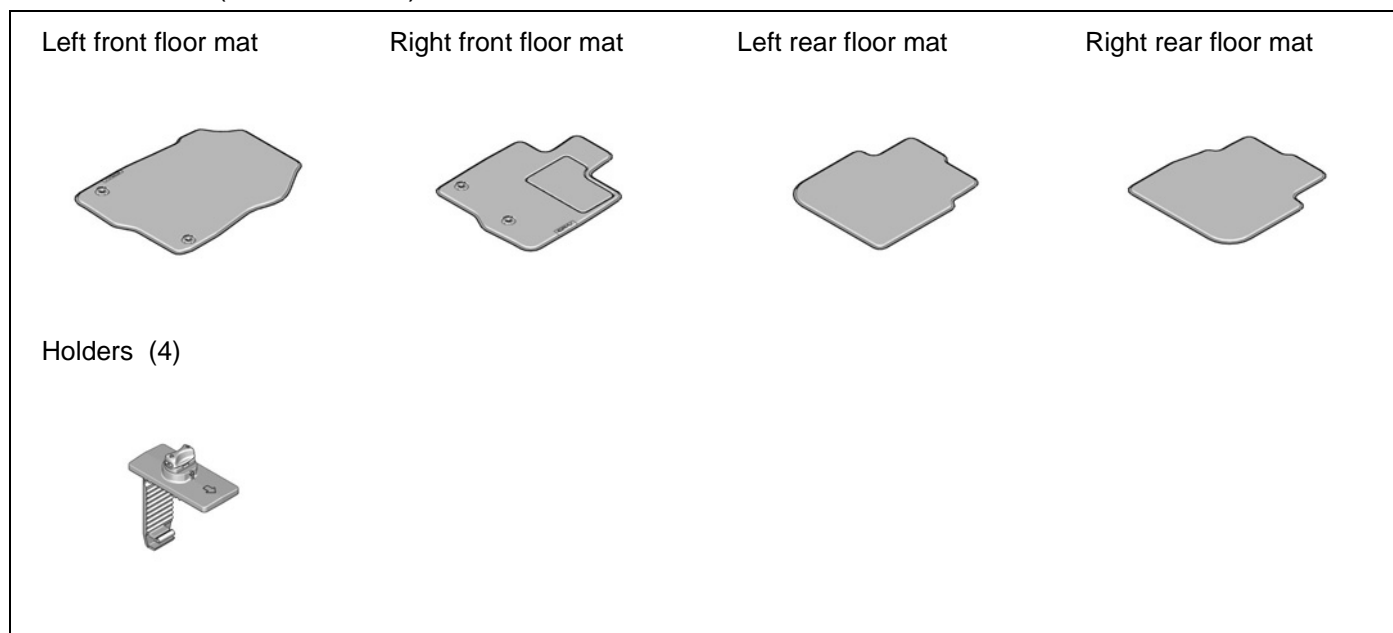
- **Before installing the floor mats, check the installation positions.**
- **Holders are required to prevent the mats from sliding forward and possibly interfering with the pedals.**
- **When replacing the floor mats, use the factory designed floor mats compatible with the holders.**
- **Do not place additional mats on top of the floor mats. The additional mats may slide forward and possibly interfere with the pedals.**
- **Make sure to re-anchor the mats after removing the floor mats.**
- **Identify each mat by the location mark on the back of each mat.**

## PARTS LIST

### Floor Mats Kit (LHD models)



## Floor Mats Kit (RHD models)



## TOOLS AND SUPPLIES REQUIRED

- Flat-tip screwdriver
- Utility knife

# INSTALLATION

## Installing the Floor Mats

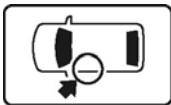
1. Follow the below guidance.

• LHD models	To step 2
• RHD models	To step 10

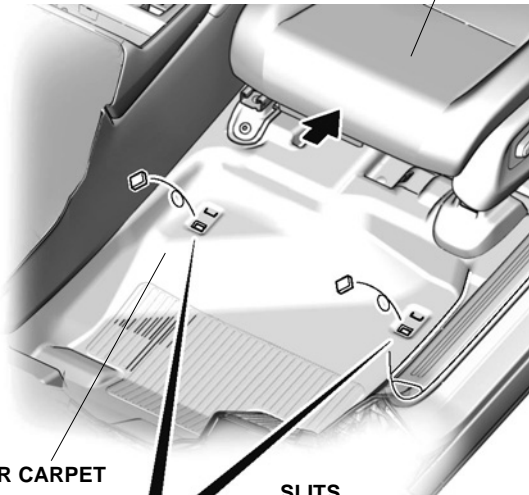
2. Cut the floor carpet.

### NOTICE

- Cut only the floor carpet not to damage the vehicle parts under the slits.

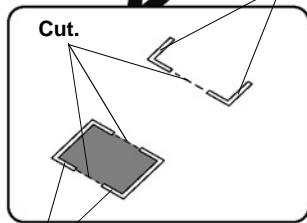


DRIVER'S SEAT  
(Slide rearward.)



FLOOR CARPET

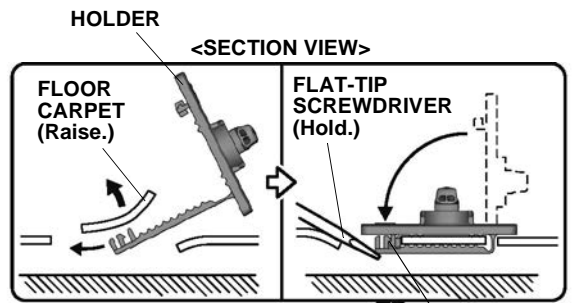
SLITS



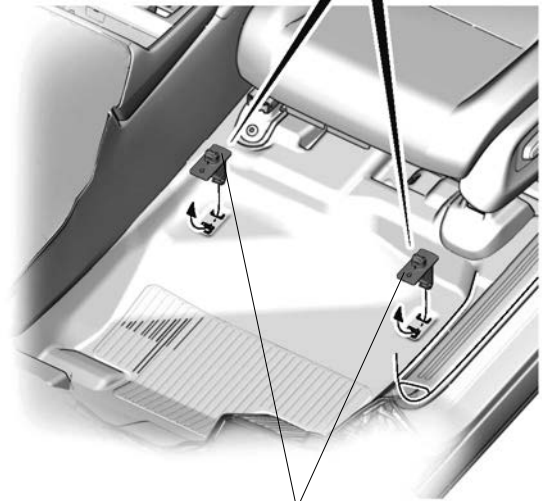
SLITS

QM62303AA

3. Install the holders.



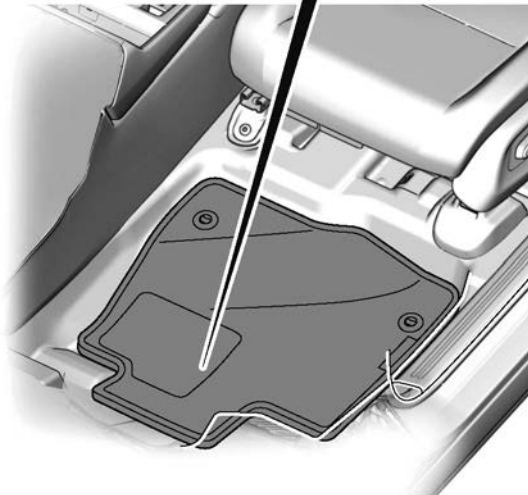
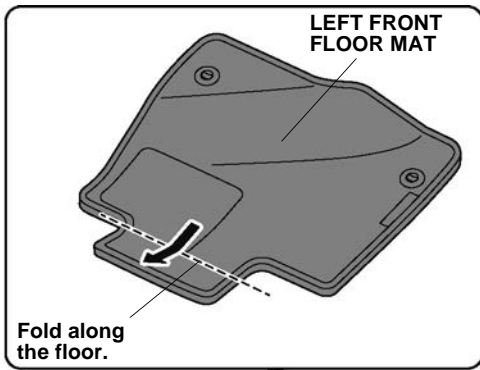
Lock securely.



2 HOLDERS

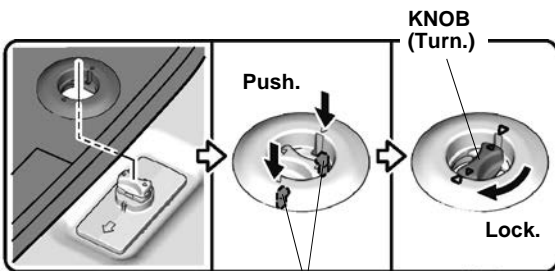
QM62304AA

4. Fold the left front floor mat.

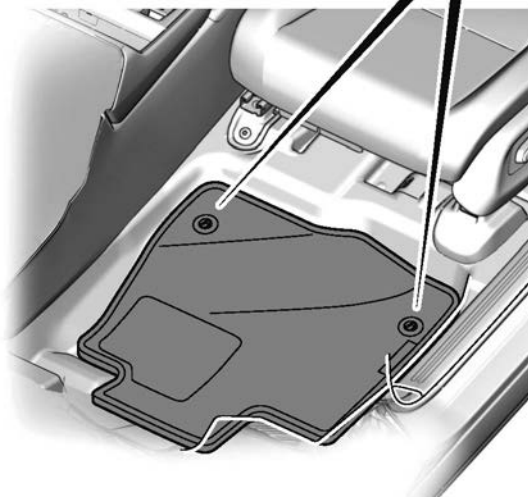


QM71321AA

5. Install the left front floor mat.



**2 RETAINING TABS**

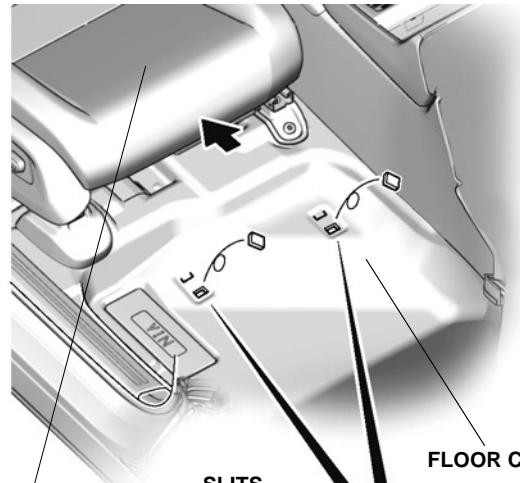
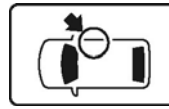


QM62305AA

6. Cut the floor carpet.

**NOTICE**

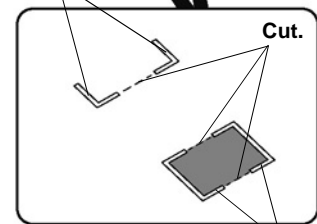
- Cut only the floor carpet not to damage the vehicle parts under the slits.



**PASSENGER'S SEAT (Slide rearward.)**

**SLITS**

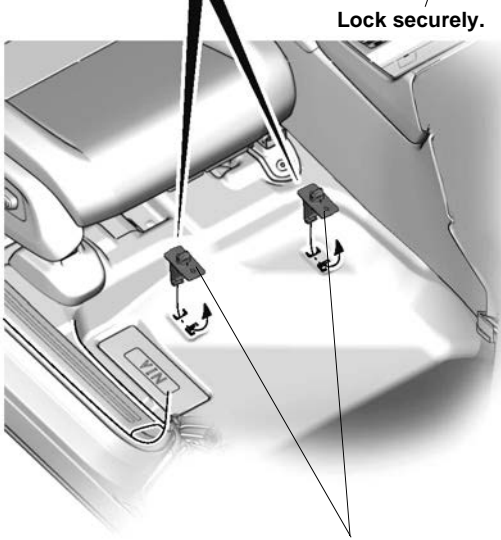
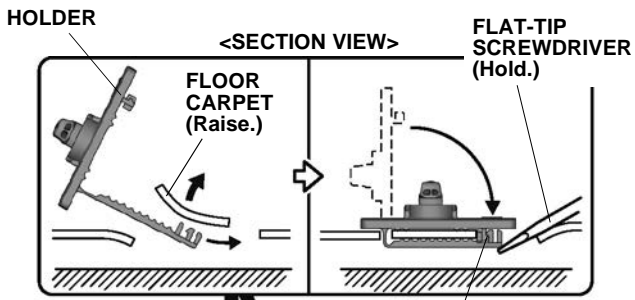
**FLOOR CARPET**



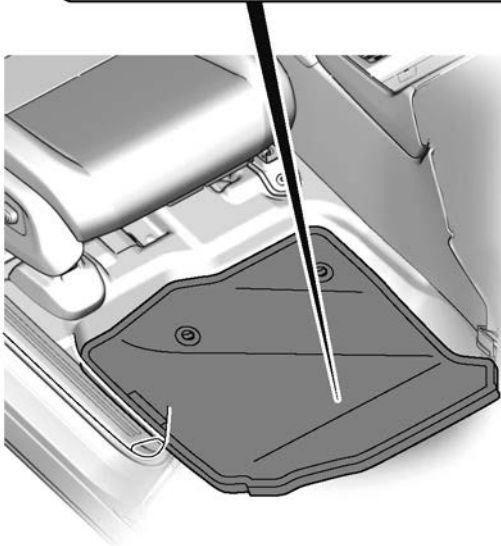
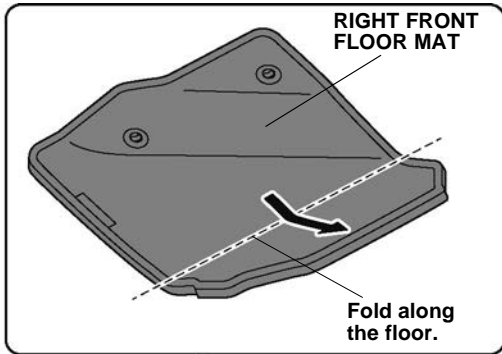
**SLITS**

QM62306AA

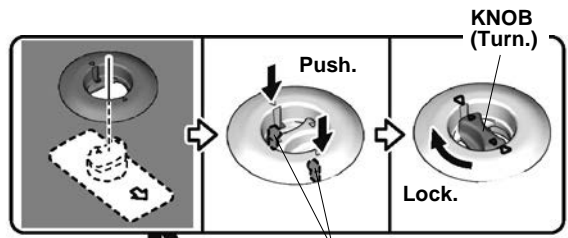
7. Install the holders.



8. Fold the right front floor mat.



9. Install the right front floor mat.



**2 RETAINING TABS**

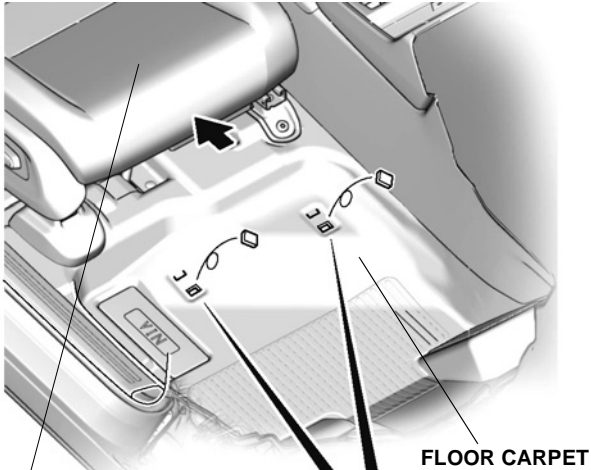
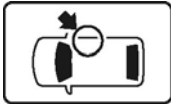


To step 18

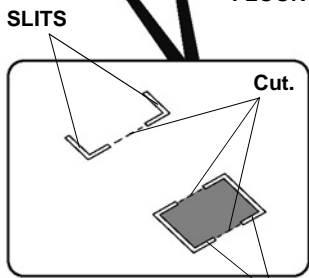
10. Cut the floor carpet.

**NOTICE**

- Cut only the floor carpet not to damage the vehicle parts under the slits.



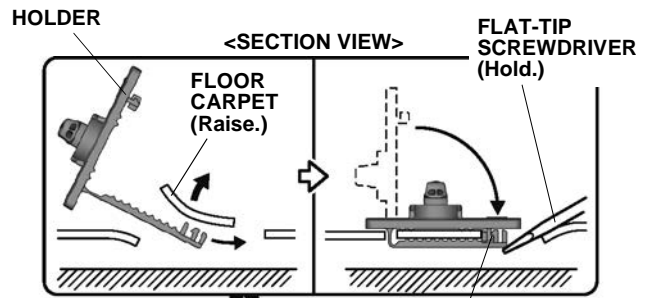
DRIVER'S SEAT  
(Slide rearward.)



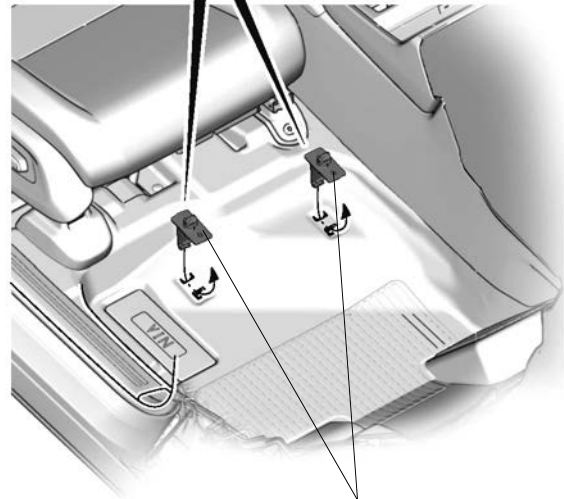
SLITS

QM62309AA

11. Install the holders.

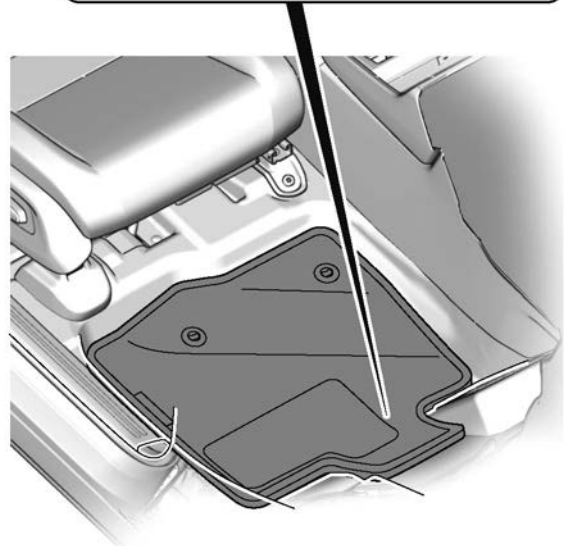
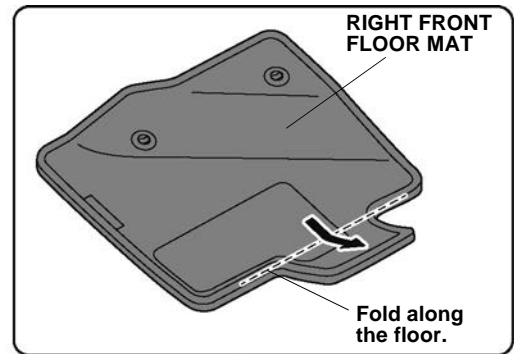


Lock securely.



QM62310AA

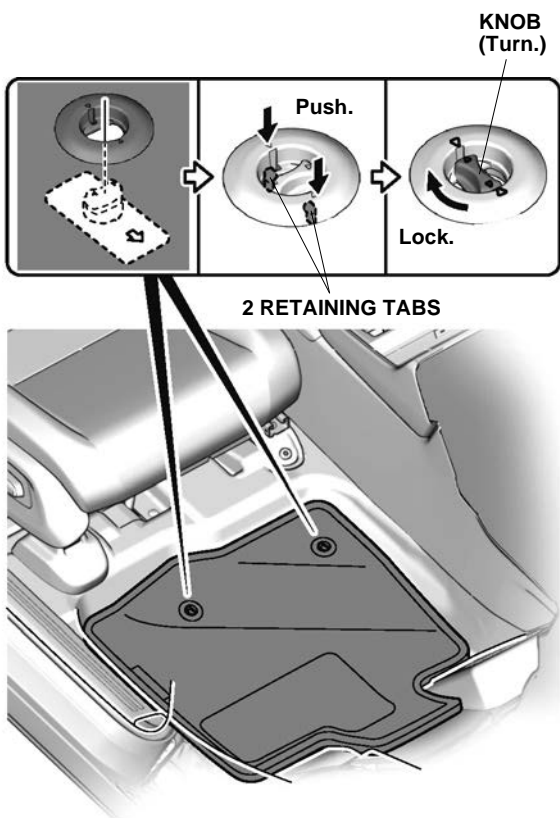
12. Fold the right front floor mat.



QM71323AA



13. Install the right front floor mat.

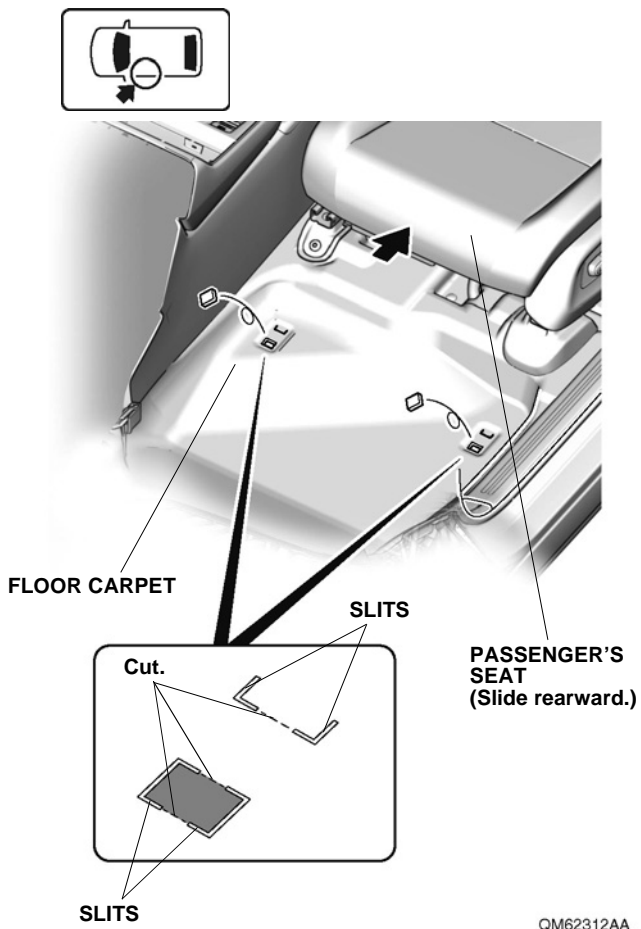


QM62311AA

14. Cut the floor carpet.

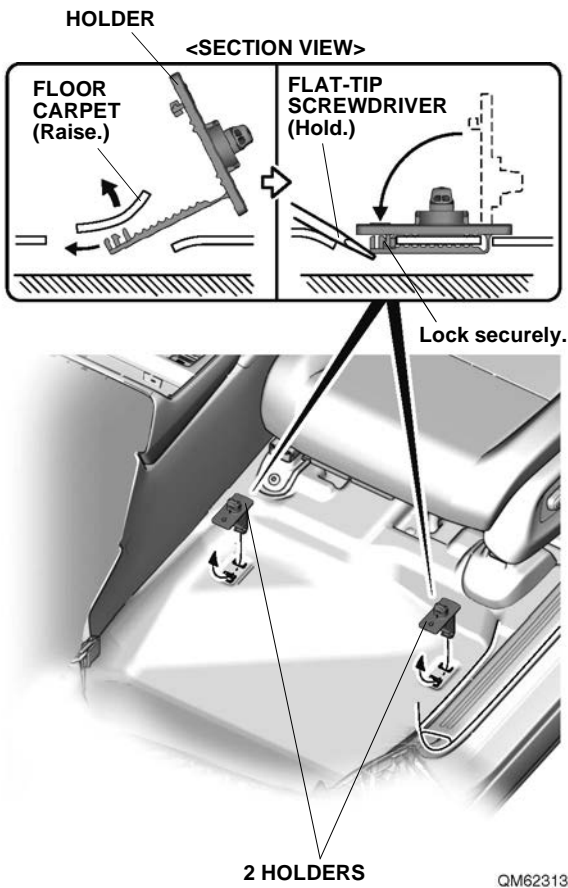
**NOTICE**

- Cut only the floor carpet not to damage the vehicle parts under the slits.

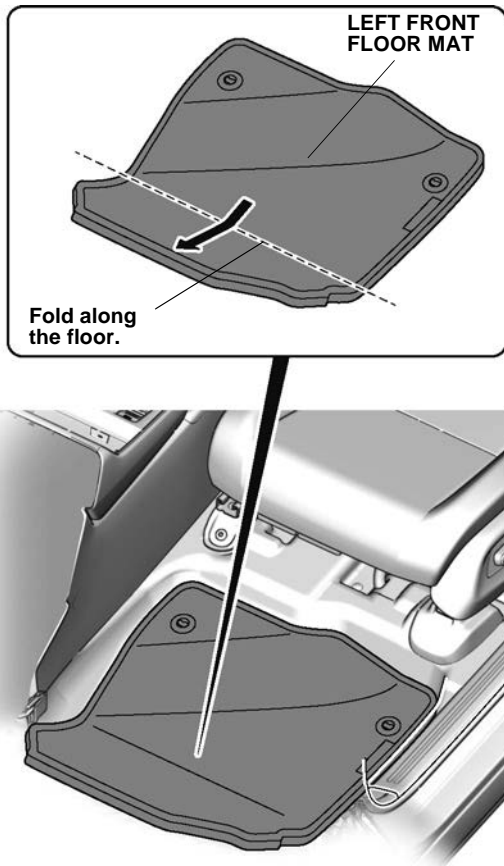


QM62312AA

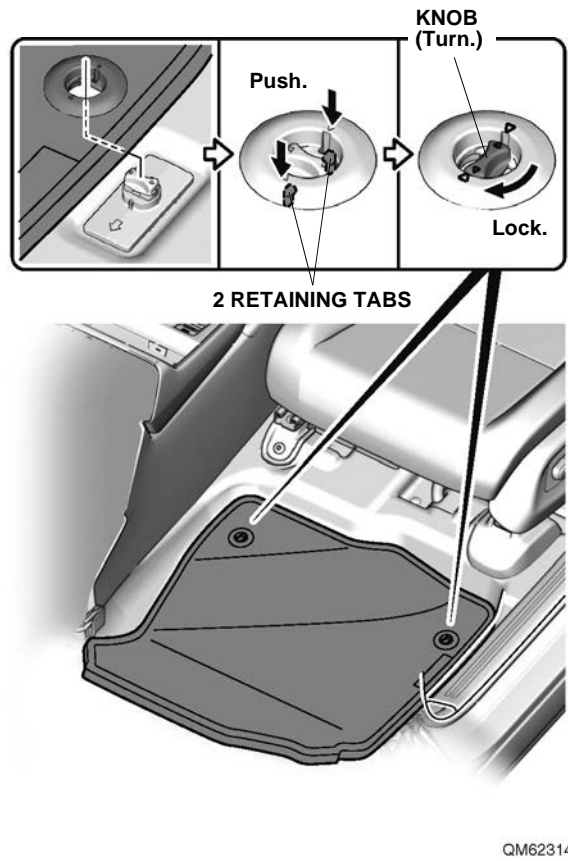
15. Install the holders.



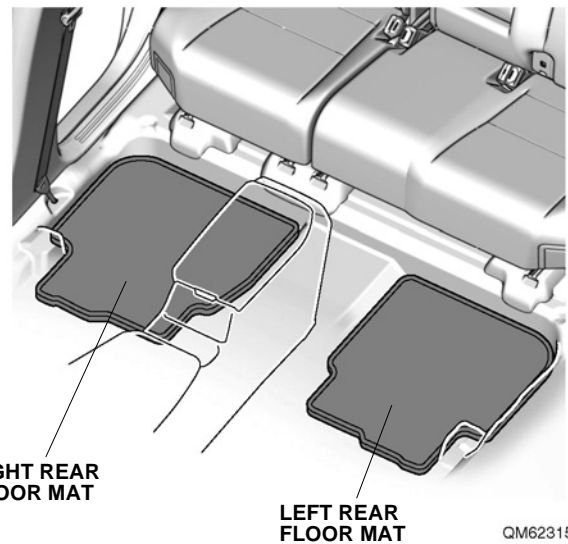
16. Fold the left front floor mat.



17. Install the left front floor mat.



18. Install the left rear floor mat and right rear floor mat.



19. Check that all parts are installed properly.  
 (End of installation)