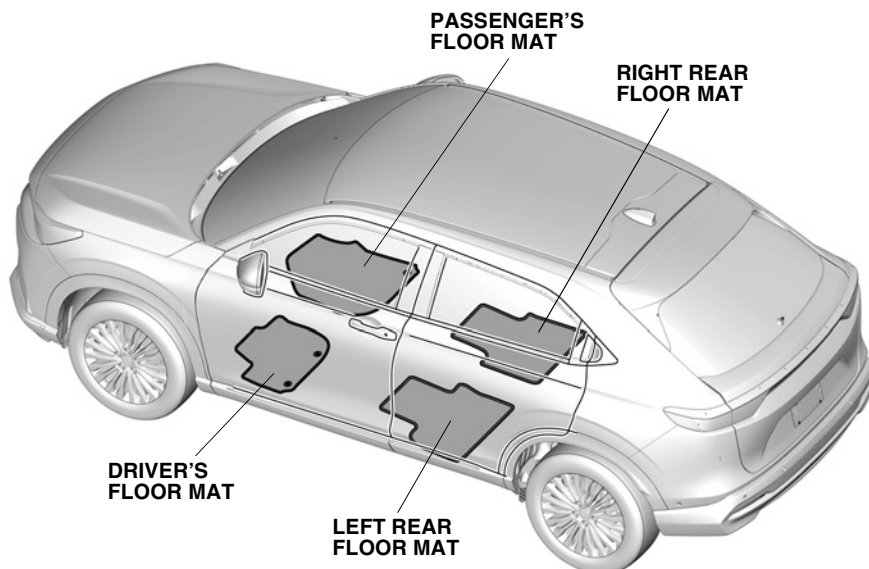


FLOOR MATS

e:Ny1

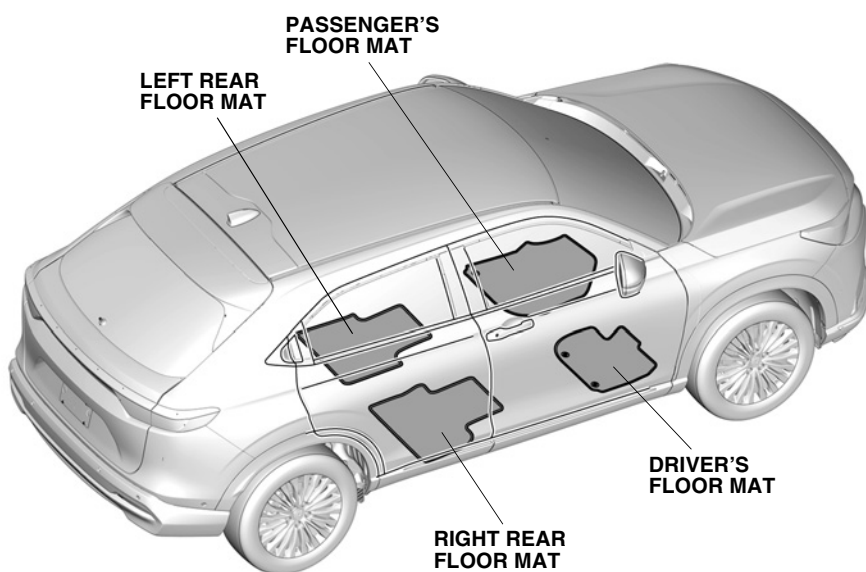
GENERAL VIEW

<LHD models>



QM70401CK

<RHD models>



QM70402CK

FOR YOUR SAFETY (Read carefully)

Introduction of Symbol Messages

- These symbols warn you about the possible hazards and explain how to avoid them. And give you some advices.



You will be killed or seriously hurt if you do not follow the instructions.



You can be killed or seriously hurt if you do not follow the instructions.



You can be hurt if you do not follow the instructions.



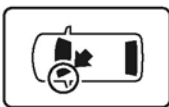
Gives advice to prevent damage to the product.
Gives helpful information or instructions to be followed in using the product.



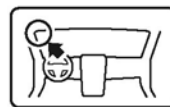
Indicates prohibited actions.

Introduction of Icons

- These icons indicate the working place and the worker's vision.



The place for the vehicle.



The place for the instrument panel.

- These icons indicate the necessary things for your safety and the work.



Wear eye protection.



Wear heavy gloves.



Work with an assistant.



Place the part on a blanket.



Remove any burrs.



Use the touch-up paint and dry.



Keep the parts and give it to the customer.
(Not use)



Press firmly.



Tighten by specified torque.



Work perpendicularly.



Clean with the contact cleaner.

Safety: General

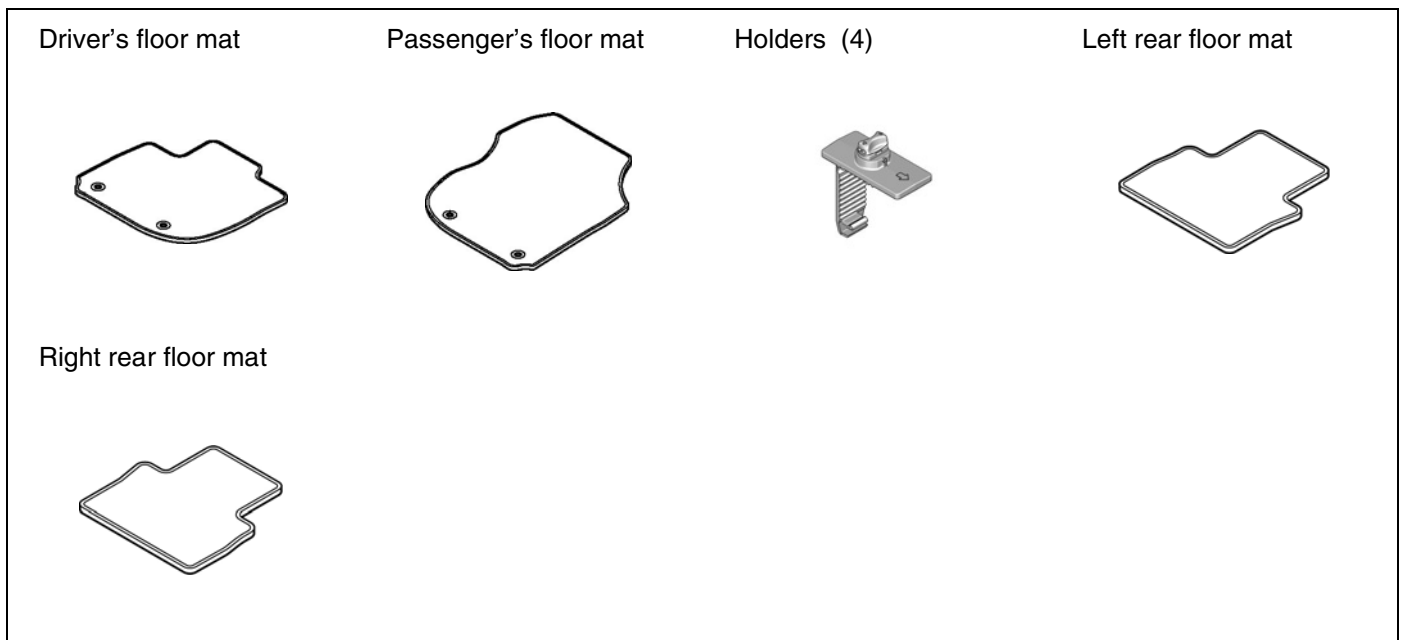
- Be careful not to damage the vehicle and the parts.
- The illustrations may differ a little from the actual accessories for the design change of the vehicle.

Safety: For the Accessory

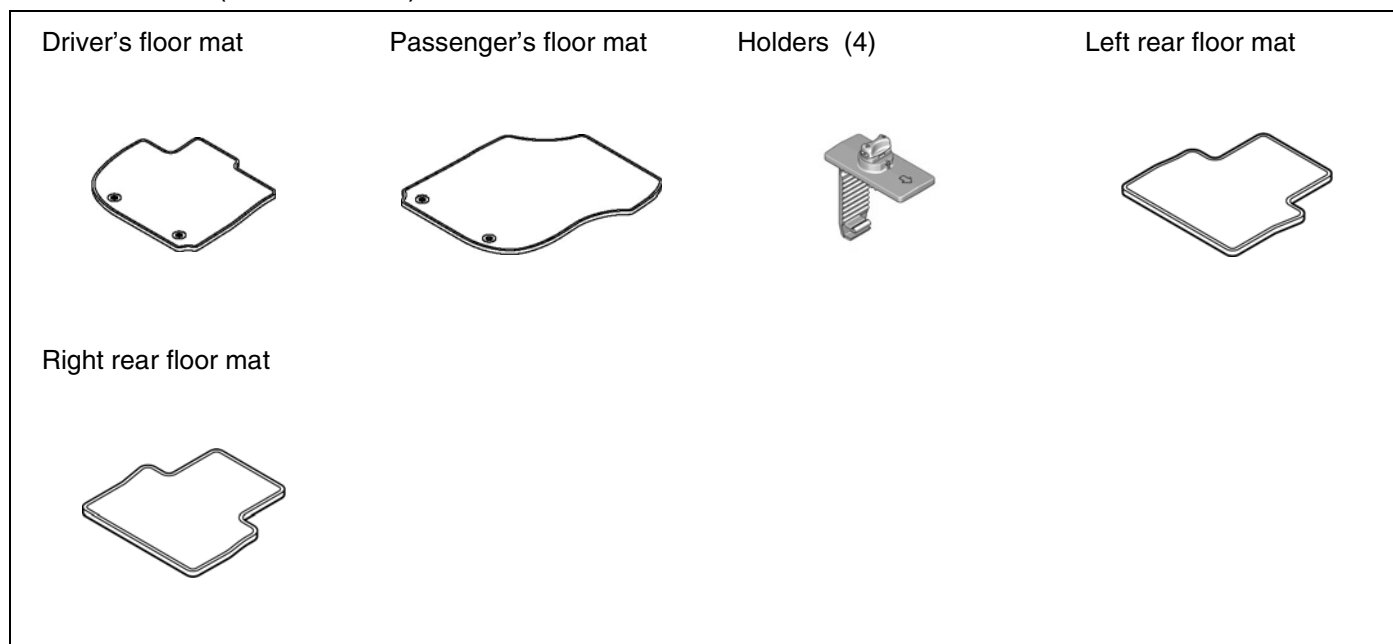
- **Before installing the floor mats, check the installation positions.**
- **Holders are required to prevent the mats from sliding forward and possibly interfering with the pedals.**
- **When replacing the floor mats, use the factory designed floor mats compatible with the holders.**
- **Do not place additional mats on top of the floor mats. The additional mats may slide forward and possibly interfere with the pedals.**
- **Make sure to re-anchor the mats after removing the floor mats.**
- **Identify each mat by the location mark on the back of each mat.**

PARTS LIST

Floor Mats Kit (LHD models)



Floor Mats Kit (RHD models)



TOOLS AND SUPPLIES REQUIRED

- Flat-tip screwdriver
- Utility knife

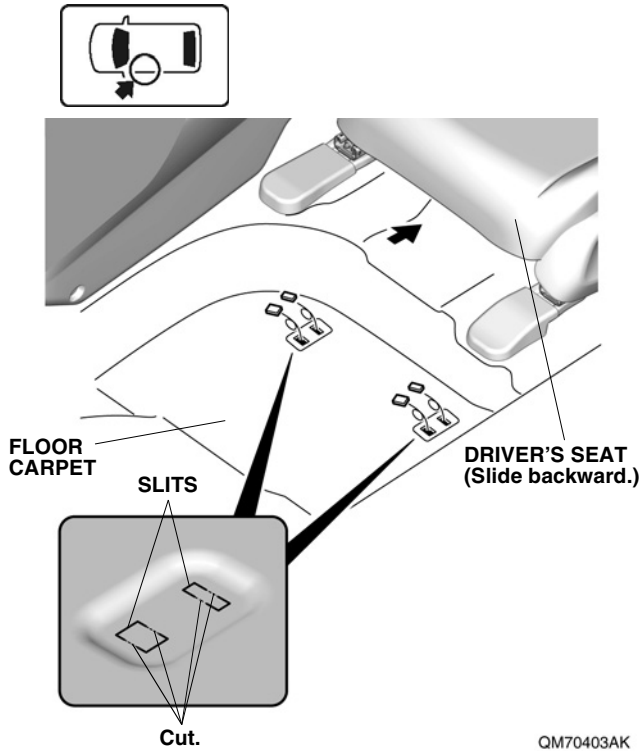
INSTALLATION

Installing the Floor Mats

1. Follow the below guidance.

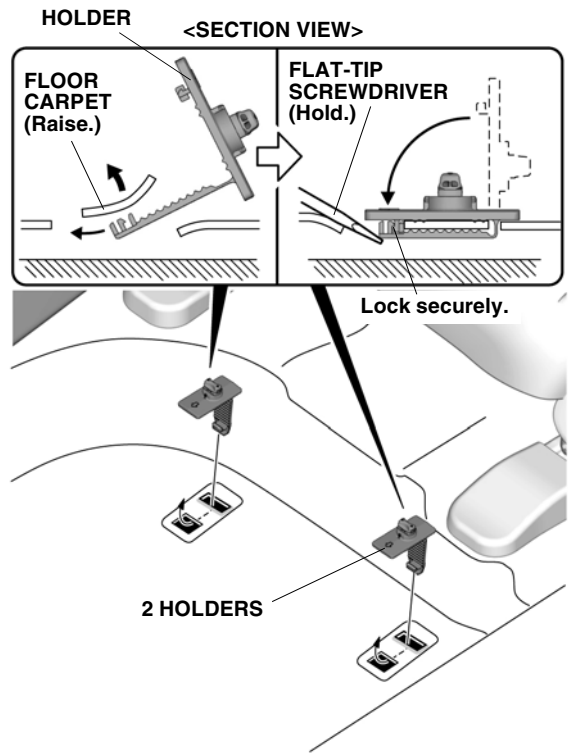
• LHD models	To step 2
• RHD models	To step 9

2. Cut out the floor carpet.



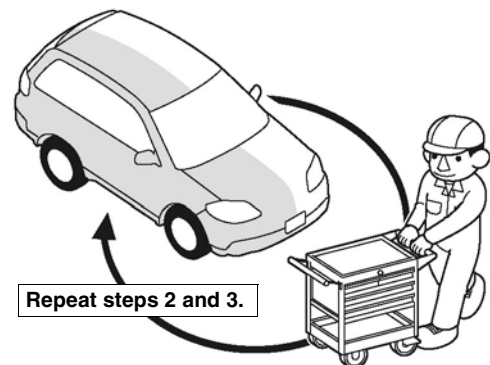
QM70403AK

3. Install the holders.



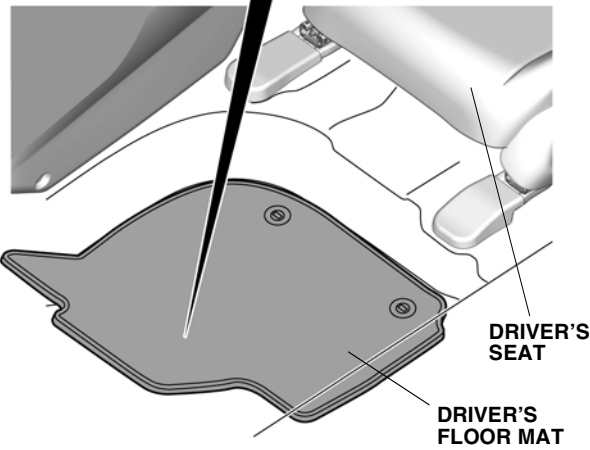
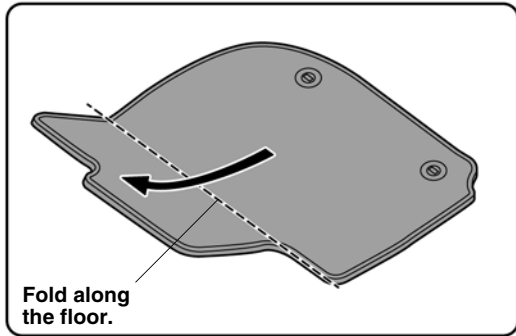
QM70404AK

4. Repeat the same procedures on the other side.



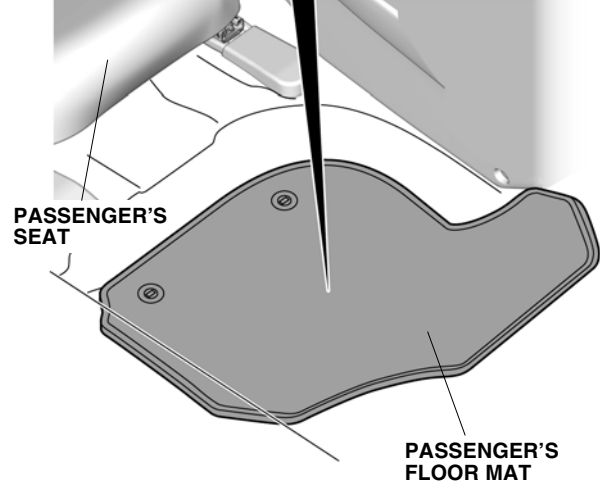
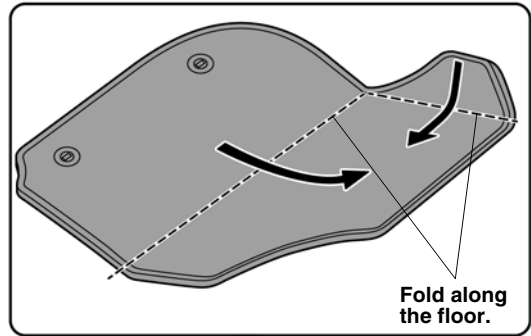
Q9D1014AM

5. Fold the driver's floor mat.



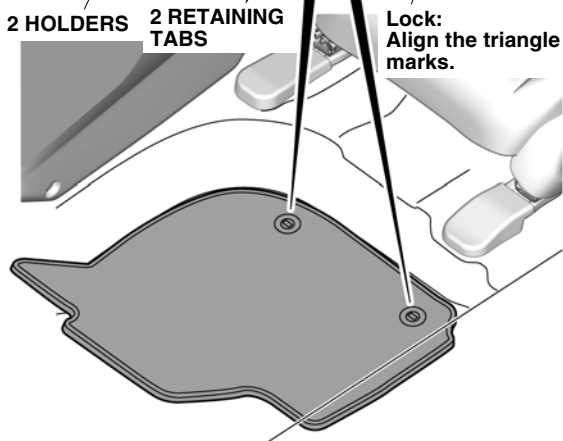
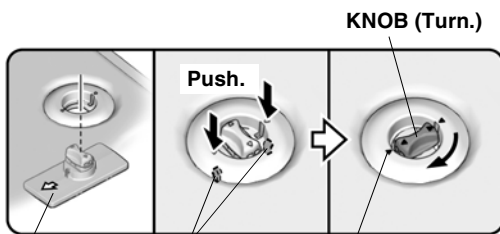
QM70405AK

7. Fold the passenger's floor mat.



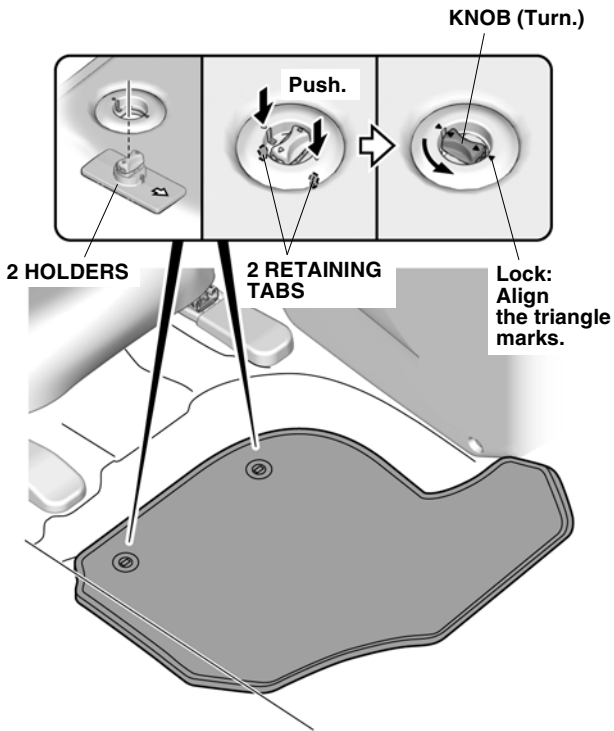
QM70407AK

6. Secure the driver's floor mat.



QM70406AK

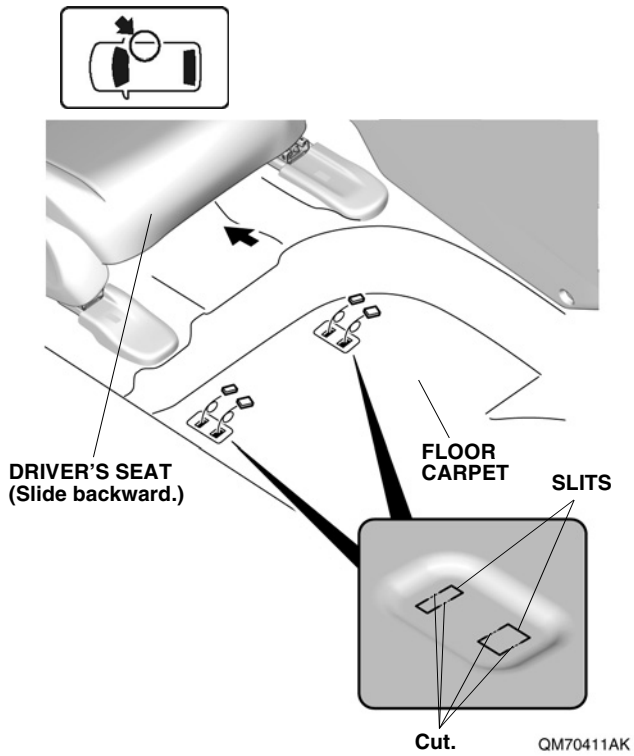
8. Secure the passenger's floor mat.



QM70408AK

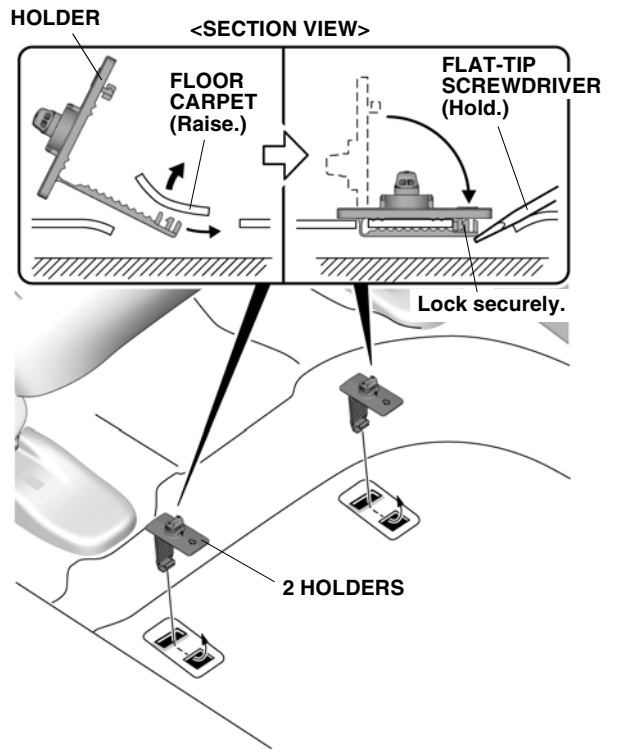
To step 16

9. Cut out the floor carpet.



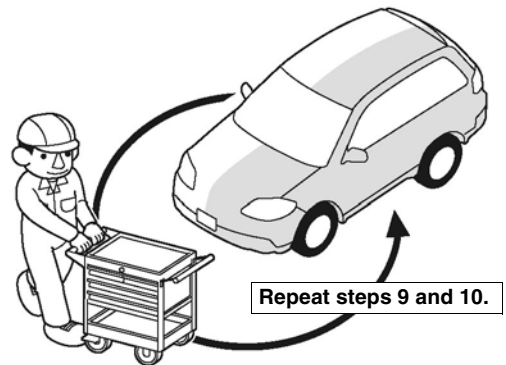
QM70411AK

10. Install the holders.



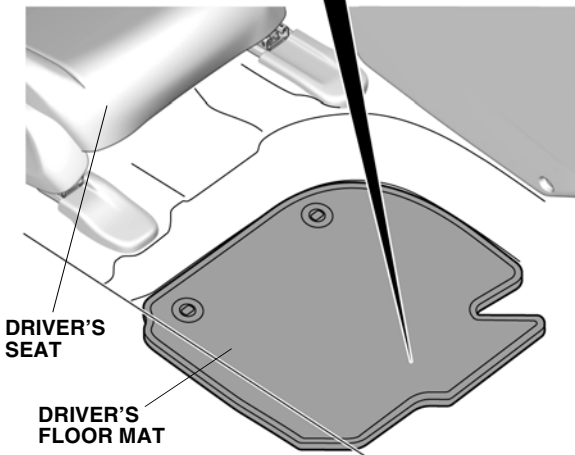
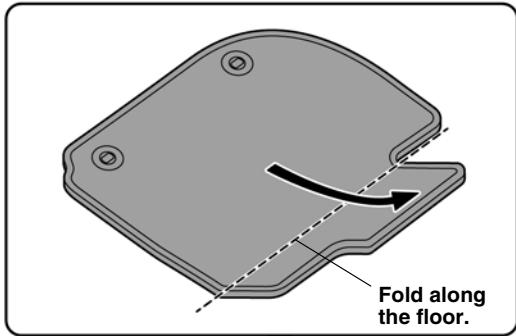
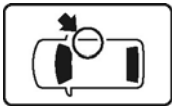
QM70412AK

11. Repeat the same procedures on the other side.



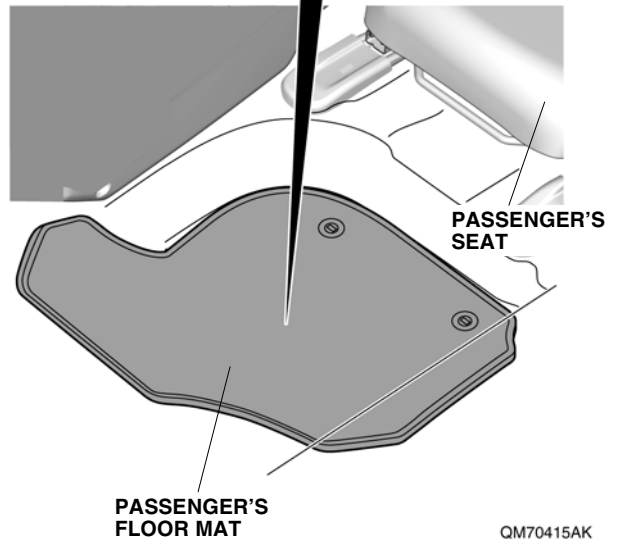
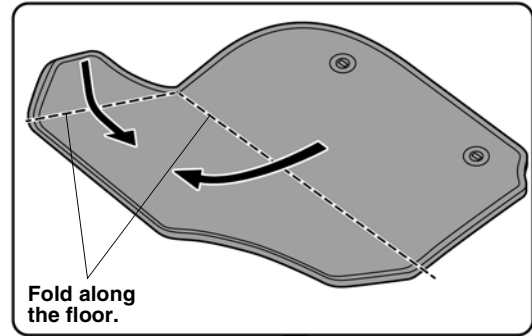
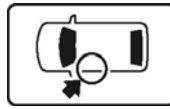
Q9D1013AM

12. Fold the driver's floor mat.



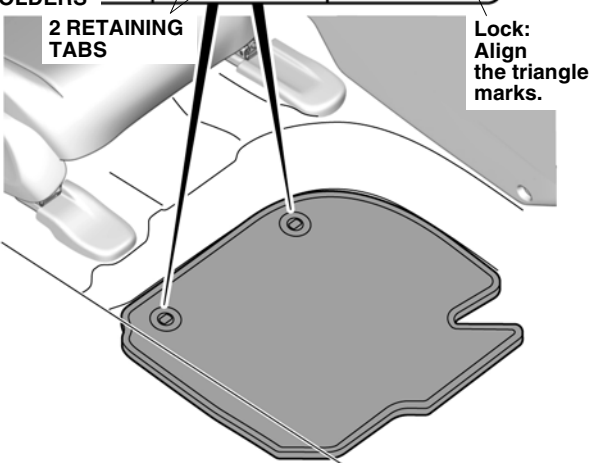
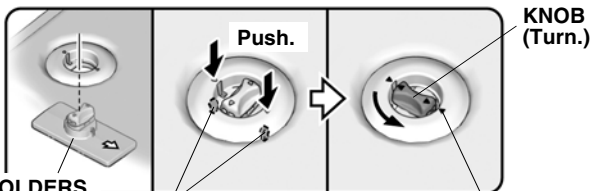
QM70413AK

14. Fold the passenger's floor mat.



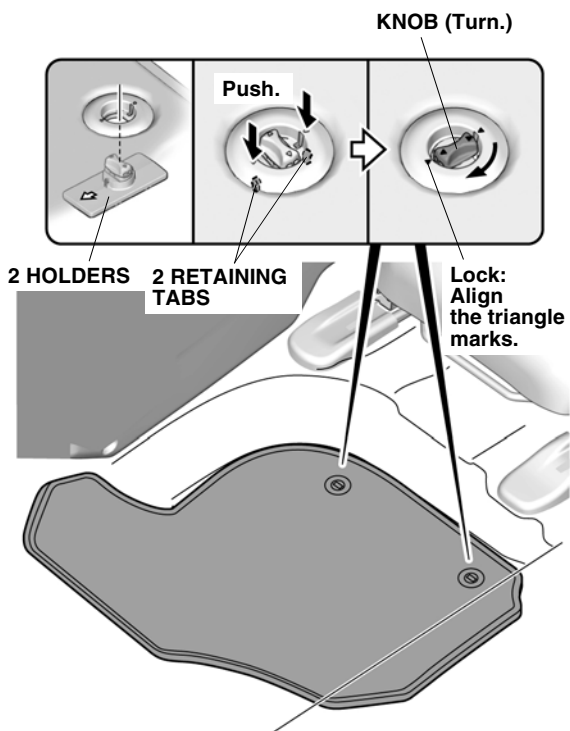
QM70415AK

13. Secure the driver's floor mat.



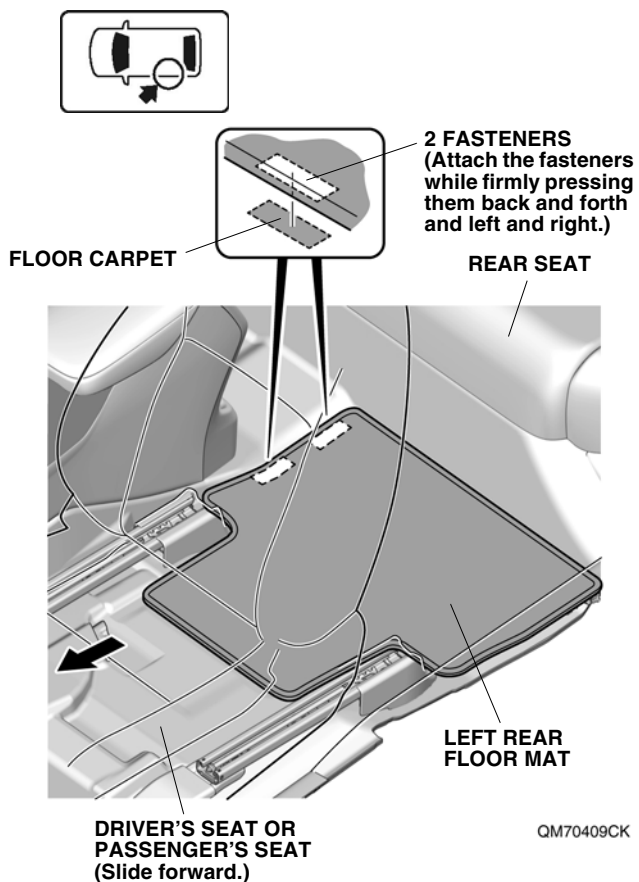
QM70414AK

15. Secure the passenger's floor mat.



QM70416AK

16. Secure the left rear floor mat.



QM70409CK

17. Repeat step 16 on the other side.

18. Check that all parts are installed properly.
(End of installation)