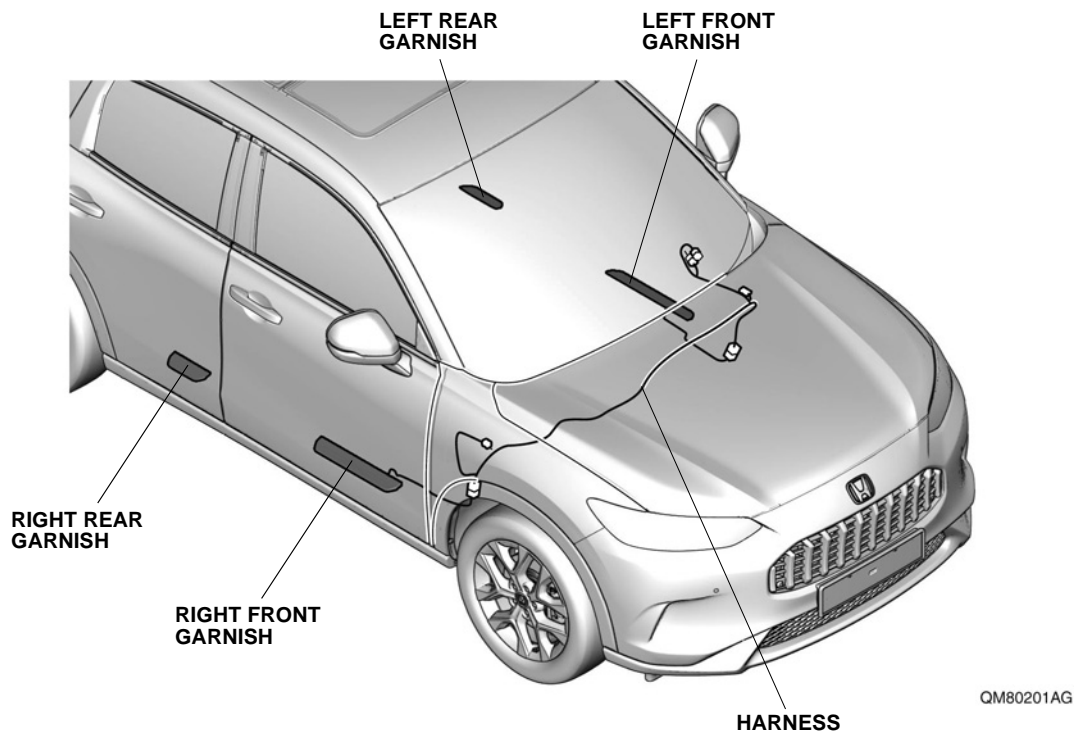


ILLUMINATED SIDE STEP GARNISHES

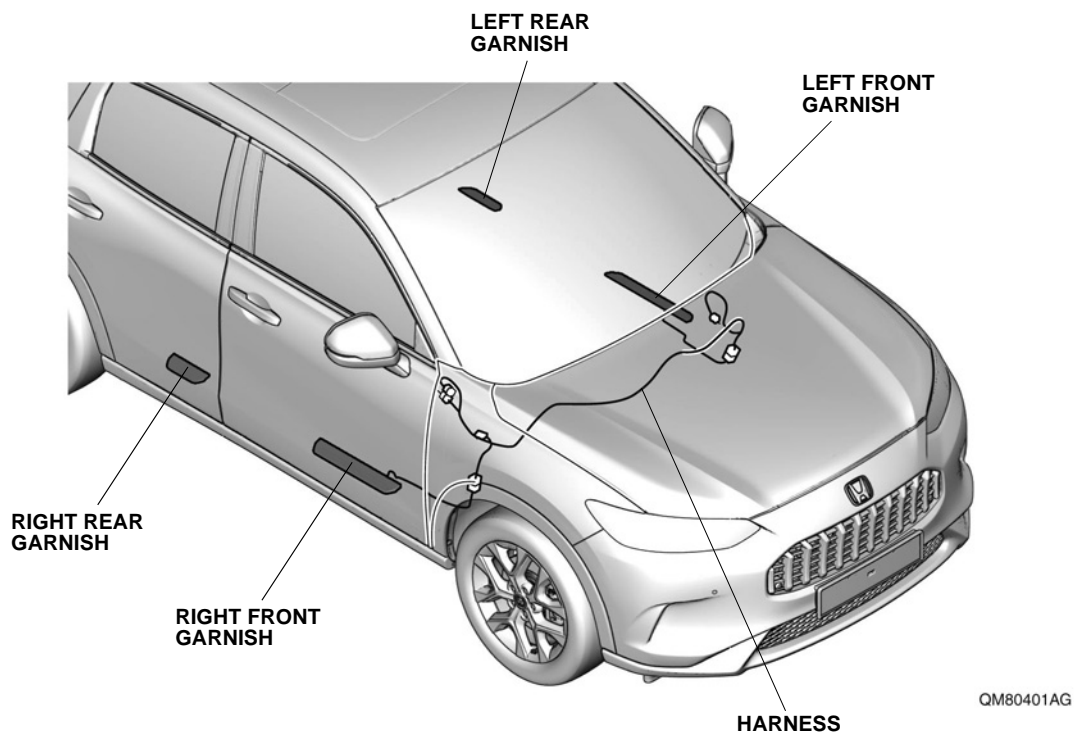
ZR-V

GENERAL VIEW

<LHD models>



<RHD models>



FOR YOUR SAFETY (Read carefully)

Introduction of Symbol Messages

- These symbols warn you about the possible hazards and explain how to avoid them. And give you some advices.



You will be killed or seriously hurt if you do not follow the instructions.



You can be killed or seriously hurt if you do not follow the instructions.



You can be hurt if you do not follow the instructions.



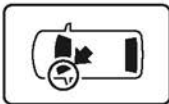
Gives advice to prevent damage to the product.
Gives helpful information or instructions to be followed in using the product.



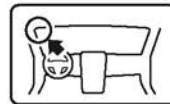
Indicates prohibited actions.

Introduction of Icons

- These icons indicate the working place and the worker's vision.



The place for the vehicle.



The place for the instrument panel.

- These icons indicate the necessary things for your safety and the work.



Wear eye protection.



Wear heavy gloves.



Work with an assistant.



Place the part on a blanket.



Remove any burrs.



Use the touch-up paint and dry.



Keep the parts and give it to the customer.
(Not use)



Press firmly.



Tighten by specified torque.

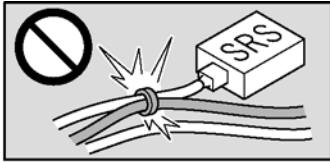


Work perpendicularly.

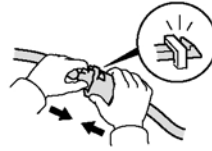


Clean with the contact cleaner.

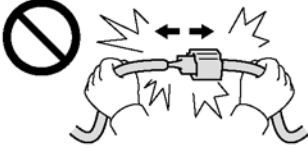
Wire Harness Routing Precaution



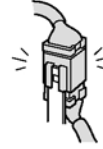
Do not clamp the accessory harness and SRS harness together. (except for instruction cases).



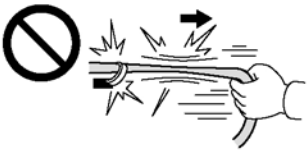
Connect the connectors and terminals securely until they lock.



Do not pull the harness to disconnect the connectors.



Reinstall the connectors to the original positions if they are removed.



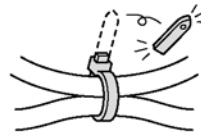
Do not pull the harness strongly.



Secure the accessory harness to the specified position, not to hang down.



Do not pinch the harness with the parts.



Cut off the excess of the wire ties.

Safety: General

- Observe all safety notes and precautions described in the Shop Manual in addition to those described in this Installation Instructions. Be extremely careful for your safety and safety of others particularly.
- Be careful not to damage the vehicle and the parts.
- Be extremely careful to the handling of the retaining tabs and clips particularly.
- Note the locations of the parts before removing them so that they can be reinstalled in their original positions properly.
- The illustrations may differ a little from the actual accessories for the design change of the vehicle.

Safety: For Electric Parts

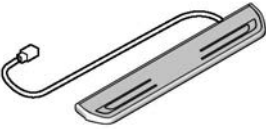
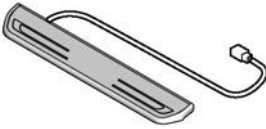
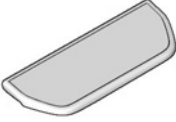
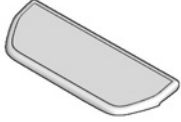
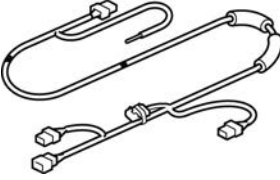
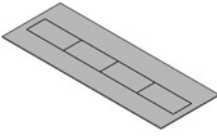




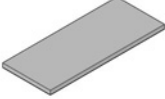
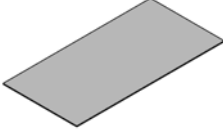


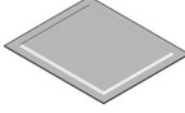
- Do not perform the installation of the accessories with having connected negative cable of the battery.

Safety: For the Accessory

- **Always use the parts and tools specified in the installation instructions.**
- **Do not perform installation work and attaching work at the place where gets the direct rays of the sun or the dust appears.**
- **Always install these accessories at the ambient air temperature 15°C (60°F) or above.**
- **Heat the accessories and bonding surfaces if the ambient air temperature is below 15°C (60°F).**
- **Attach the accessories by pressing it firmly with the palm of your hand. Be careful not to damage the accessories and the vehicle parts.**
- **Carefully place the double-sided adhesive tape on the proper position. Once the double-sided adhesive tape touches the surface, do not try to detach and relocate it. If you attempt to move after it touches the surface, you will damage the part before the adhesive will give way.**
- **Not to wash the vehicle or moisten it for 24 hours to allow the adhesive to cure.**

PARTS LIST

Side Step Garnishes Kit

| | | | |
|---|---|--|--|
| Right front garnish (mark: R) | Left front garnish (mark: L) | Right rear garnish (identification mark: R) | Left rear garnish (identification mark: L) |
|  |  |  |  |
| Harness | Fuse label | Joint connector cover | Joint connector case |
|  |  |  |  |
| Wire tires A (24) | Wire tie B (narrow) (RHD models: Not used) | Urethane tape | Aluminum tape |
|  |  |  |  |
| Protective tape | Washer-bolts (2) | Cleaners (2) | |
|  |  |  | |

TOOLS AND SUPPLIES REQUIRED

- Ratchet
- Shop towel
- Contact cleaner
- Torque wrench
- Electrical tape
- 10 mm Socket
- Masking tape
- Nippers
- Ruler
- Flat-tip screwdriver
- 10 mm Open end wrench
- Scissors
- Pliers
- Handy remover
- Tape

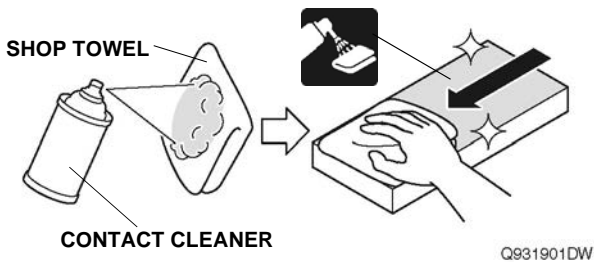
INSTALLATION

How to Use the Contact Cleaner

- Using contact cleaner on a shop towel, thoroughly clean the areas where the accessories will be attached.

NOTICE

- Always use the contact cleaner.
- Do not apply the cleaner to the object of the work directly.
- Allow to dry completely the cleaned areas before attachment work.

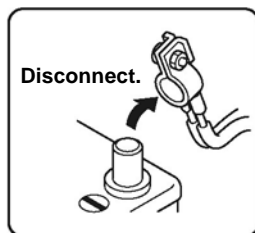
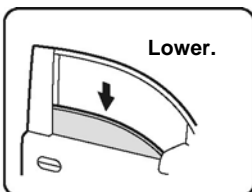


Disconnecting the Battery Cable

- Perform the works before disconnecting the negative cable from the battery as shown below.
- Make sure if you have the anti-theft code for the audio/navigation system. Record some settings of the vehicle if necessary.
- Disconnect the negative cable from the battery.

NOTICE

- With the driver's door open, turn the vehicle to the OFF (LOCK) mode, then wait at least 3 minutes before disconnecting the 12 volt negative battery cable.



QCD0502BM

- Follow the below guidance.

- LHD models

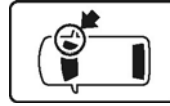
To step 5

- RHD models

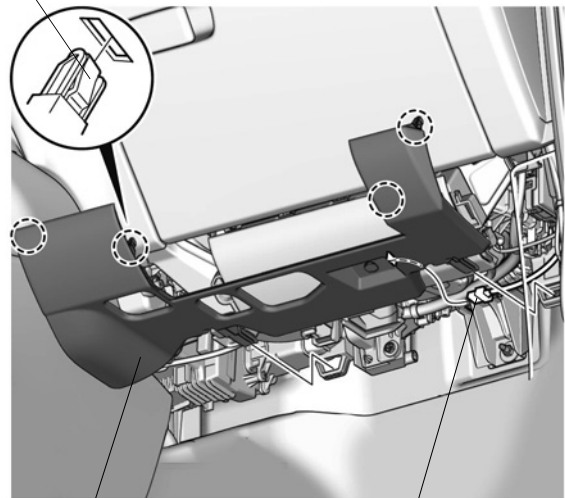
To step 61

Removing the Vehicle Parts (LHD)

- Remove the passenger's dashboard under cover.



4 CLIPS

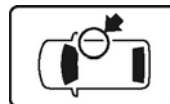


PASSENGER'S
DASHBOARD
UNDER COVER

VEHICLE
CONNECTOR
(if equipped)

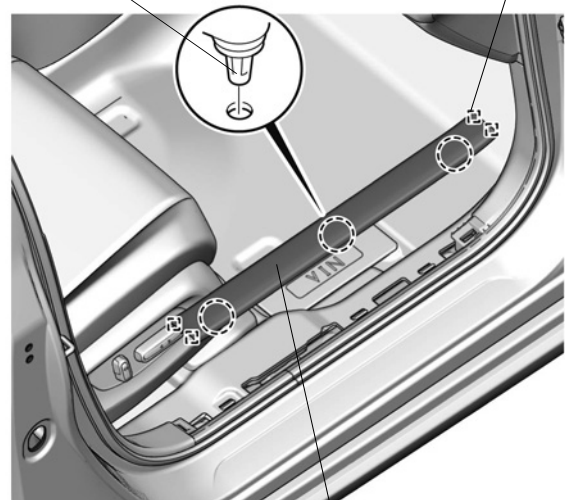
QM80202AG

- Remove the right front side step garnish.



3 CLIPS

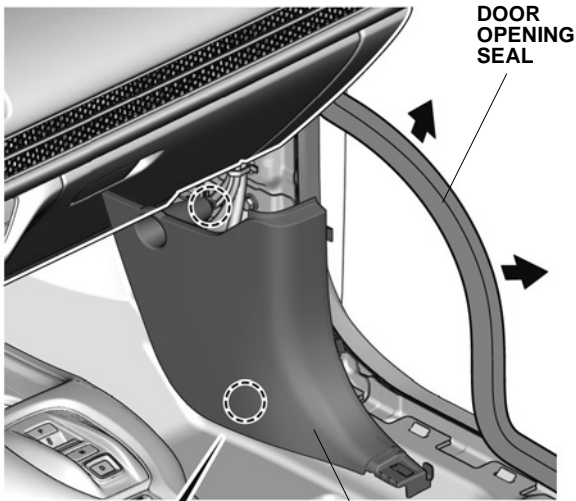
4 RETAINING
TABS



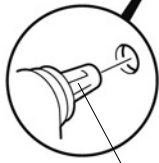
RIGHT FRONT SIDE
STEP GARNISH

QM80203AG

7. Remove the right kick panel.



DOOR
OPENING
SEAL

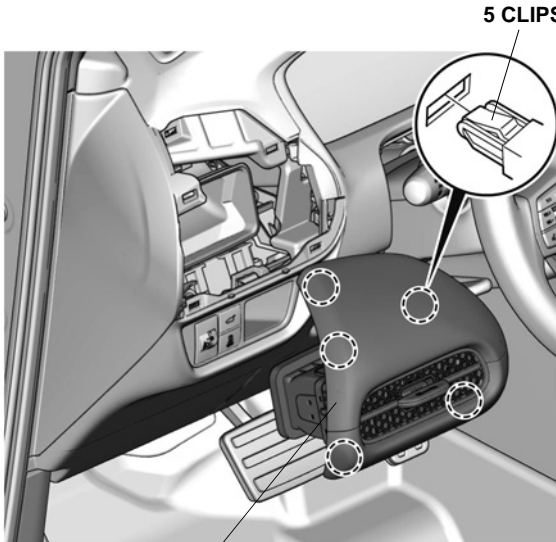


RIGHT KICK
PANEL

2 CLIPS

QM80204AG

8. Remove the driver's panel.



5 CLIPS

DRIVER'S
PANEL

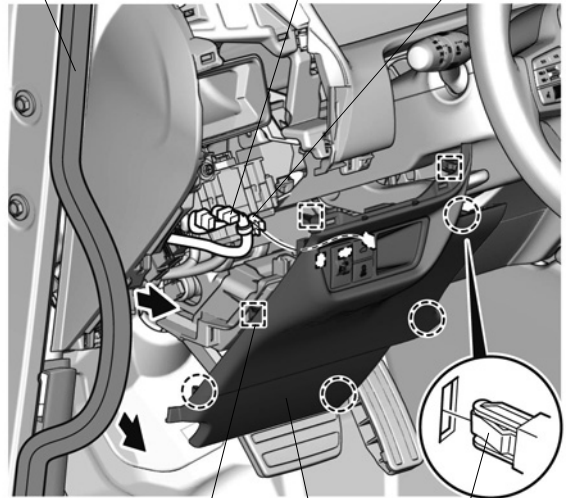
QM80205AG

9. Remove the driver's outside lower cover.

DOOR
OPENING
SEAL

VEHICLE
CONNECTORS

VEHICLE
CLIP



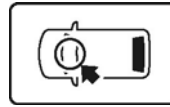
3 RETAINING
TABS

4 CLIPS

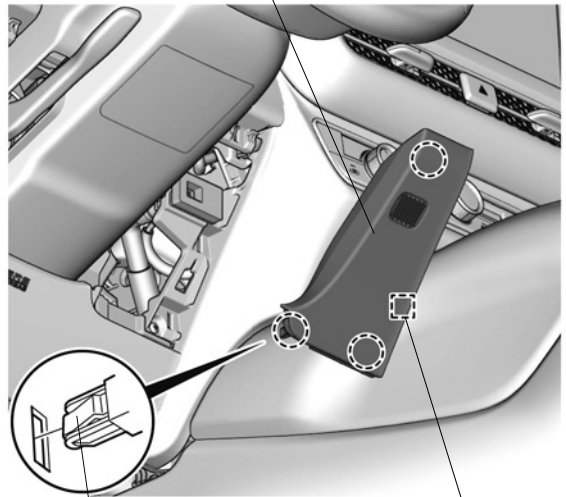
DRIVER'S OUTSIDE
LOWER
COVER

QM80206AG

10. Remove the driver's inside lower cover.



DRIVER'S INSIDE
LOWER
COVER



3 CLIPS

RETAINING
TAB

QM80207AG

11. Adjust the tilt of the steering column to its highest position. Then bring the telescope position to all the way out.
12. Remove the driver's knee airbag.

⚠ CAUTION

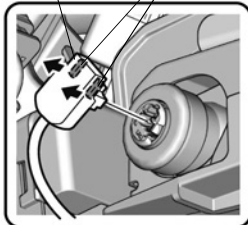
- Work after leaving more than three minutes after disconnecting the negative cable from the battery.
- Do not drop the removed airbag or hit it on an object.
- Place the removed airbag on a safe place with the pad surface (top) facing upward.



STEERING WHEEL

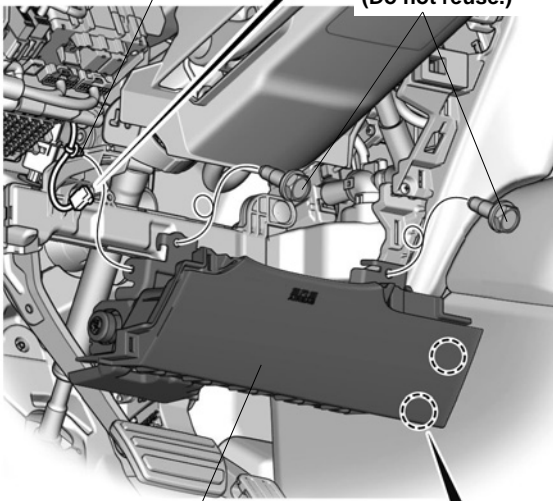
VEHICLE CONNECTOR

2 RETAINING TABS

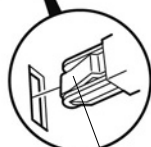


VEHICLE CLIP

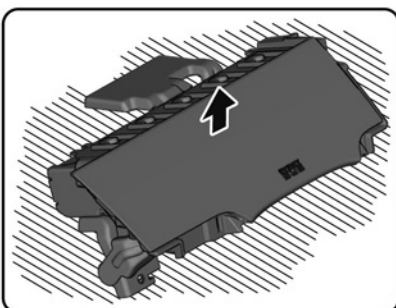
2 BOLTS
(Do not reuse.)



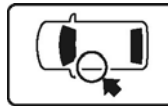
DRIVER'S KNEE AIRBAG



2 CLIPS

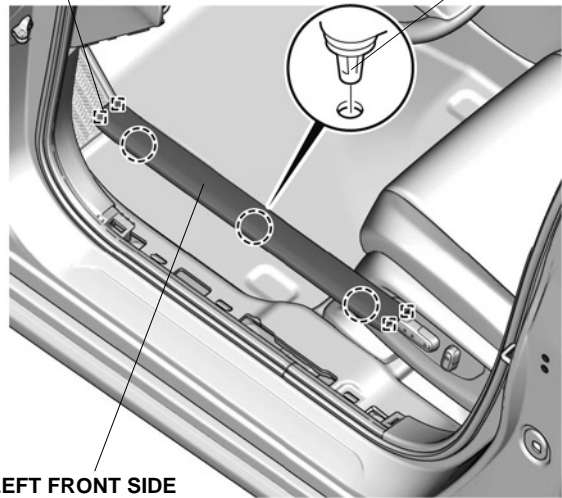


13. Remove the left front side step garnish.



4 RETAINING TABS

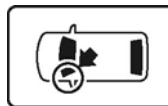
3 CLIPS



LEFT FRONT SIDE STEP GARNISH

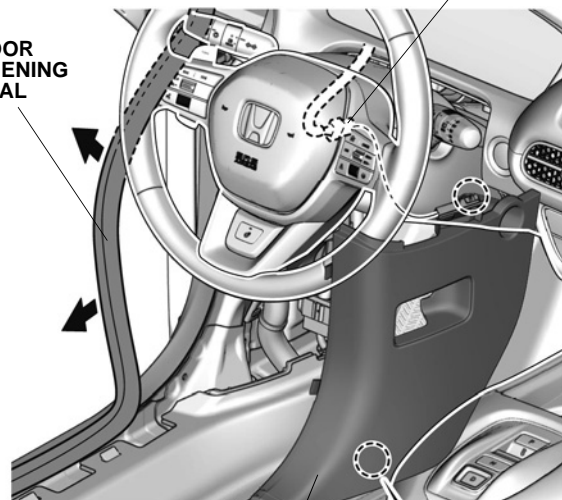
QM80209AG

14. Remove the left kick panel.



VEHICLE CONNECTOR
(if equipped)

DOOR OPENING SEAL

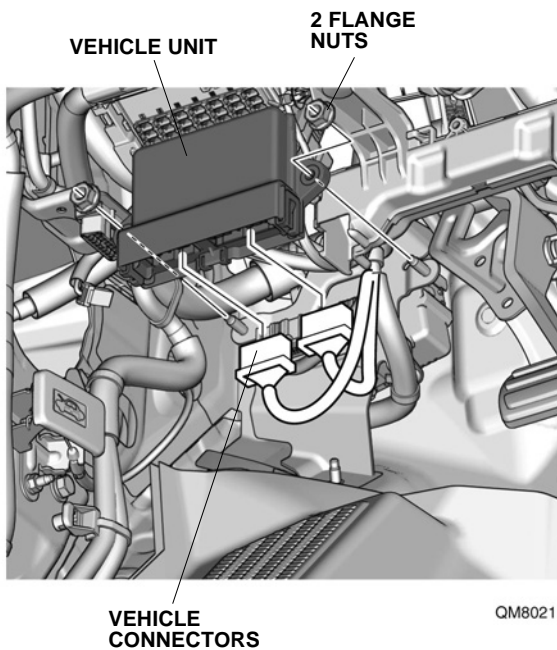


LEFT KICK PANEL

2 CLIPS

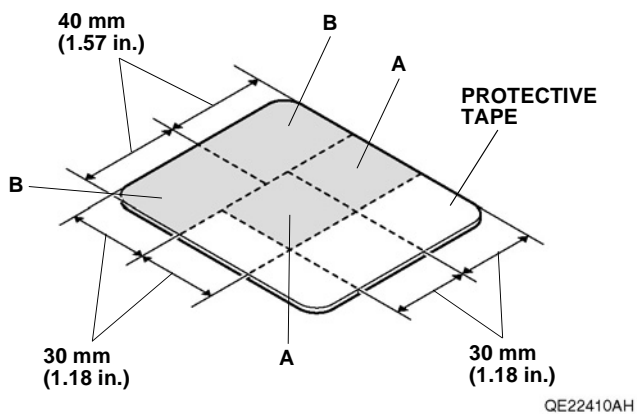
QM80210AG

15. Remove the vehicle unit.

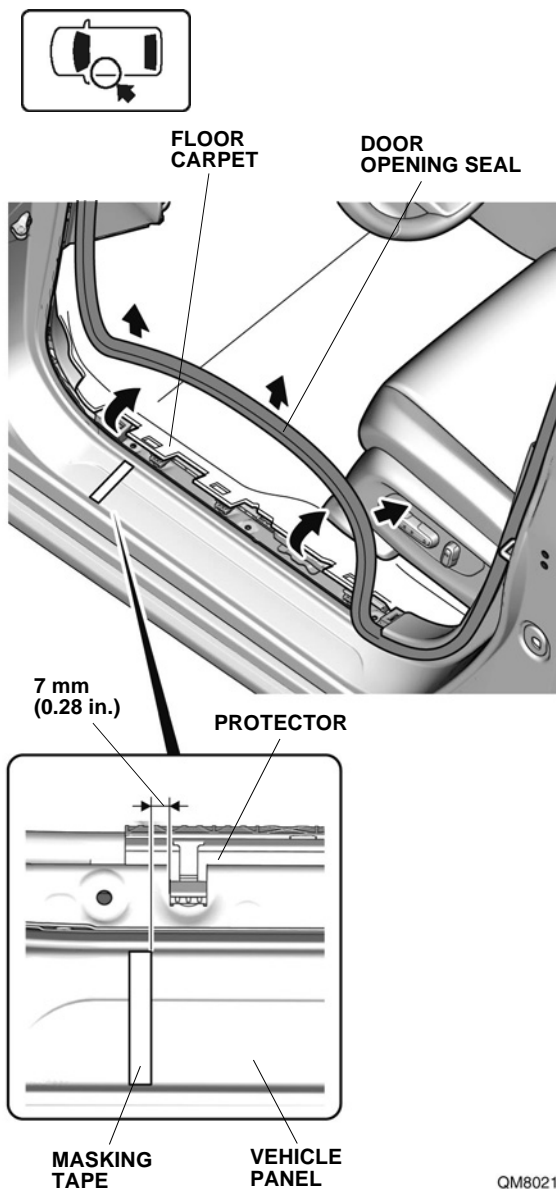


Installing the Side Step Garnishes (LHD)

16. Cut the protective tape.



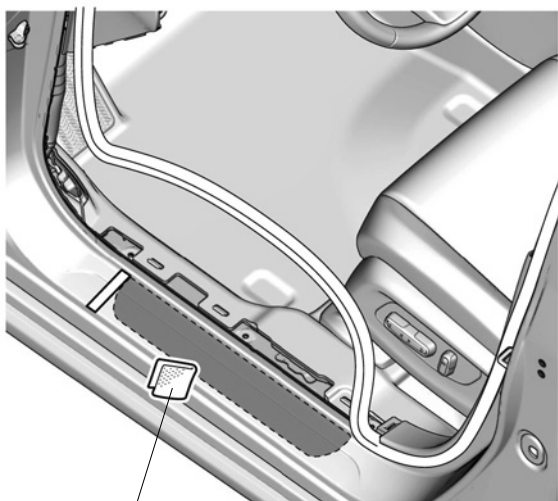
17. Attach the masking tape.



18. Clean the attaching area.

NOTICE

- Allow to dry thoroughly.



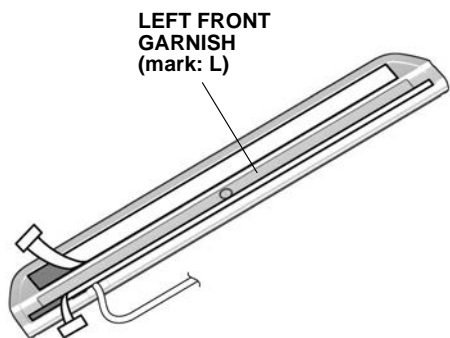
CLEANER

QM80214AG

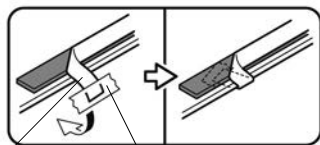
19. Temporarily attach the adhesive backings.

NOTICE

- Make sure to check the mark before installation.



LEFT FRONT GARNISH (mark: L)

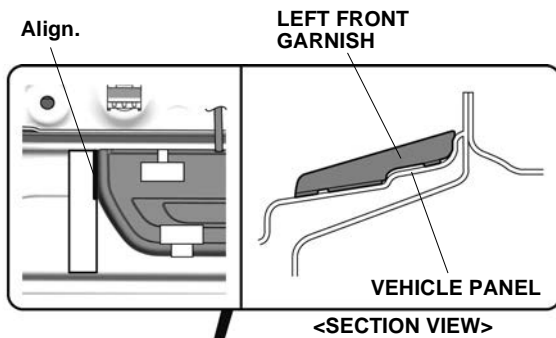


2 ADHESIVE BACKINGS

MASKING TAPES

QM80215AG

20. Align the left front garnish.



Align.

LEFT FRONT GARNISH

VEHICLE PANEL

<SECTION VIEW>



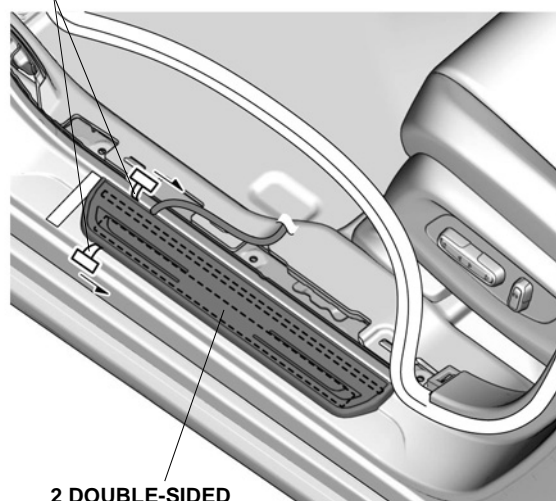
QM80216AG

21. Secure the left front garnish.

NOTICE

- Check the position of the double-sided adhesive tapes and make sure to press firmly.

2 ADHESIVE BACKINGS



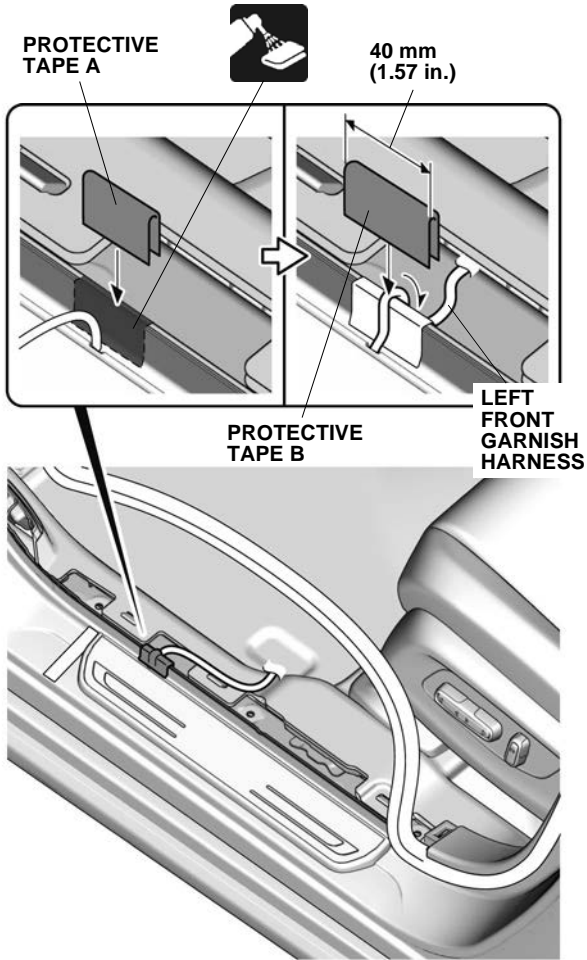
2 DOUBLE-SIDED ADHESIVE TAPES

QM80217AG



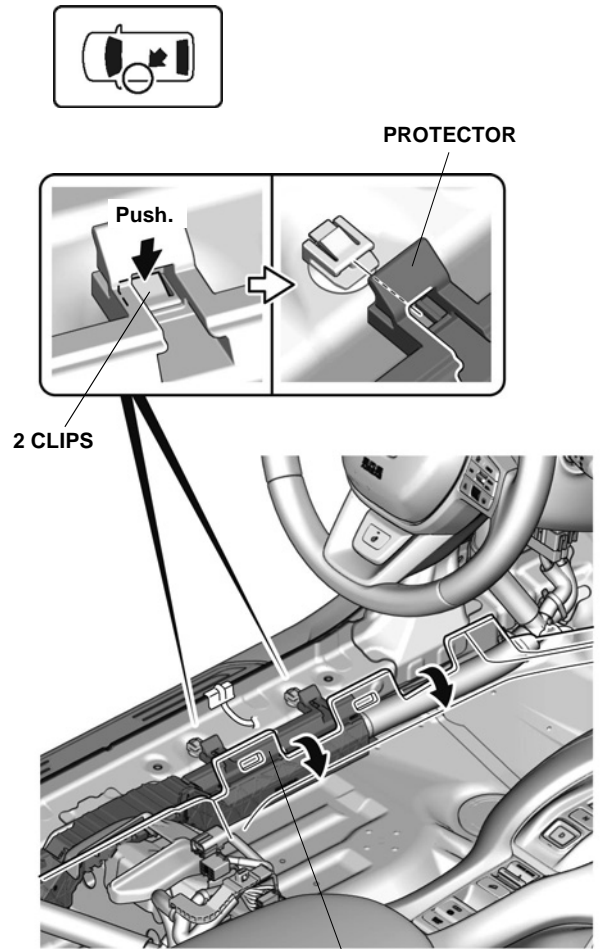
22. Remove the masking tape.

- 23. Attach the protective tape A.
- 24. Secure the left front garnish harness.



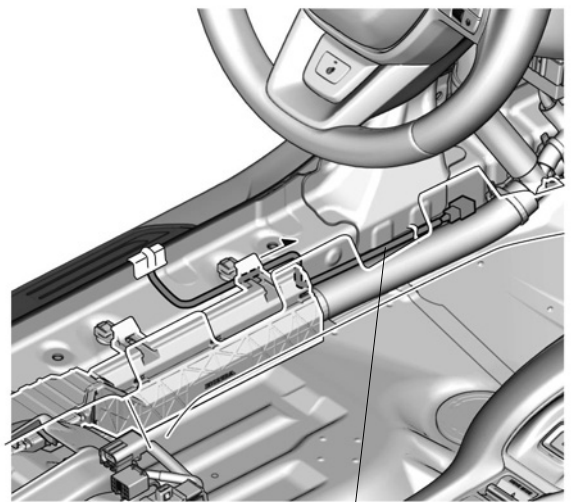
QM80218AG

- 25. Release the protector.



QM80219AG

- 26. Route the left front garnish harness.



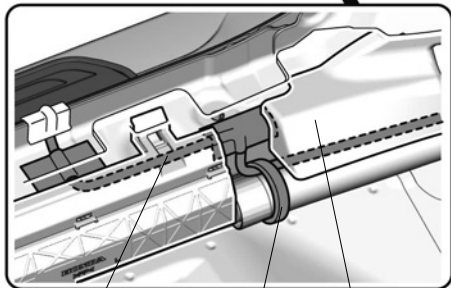
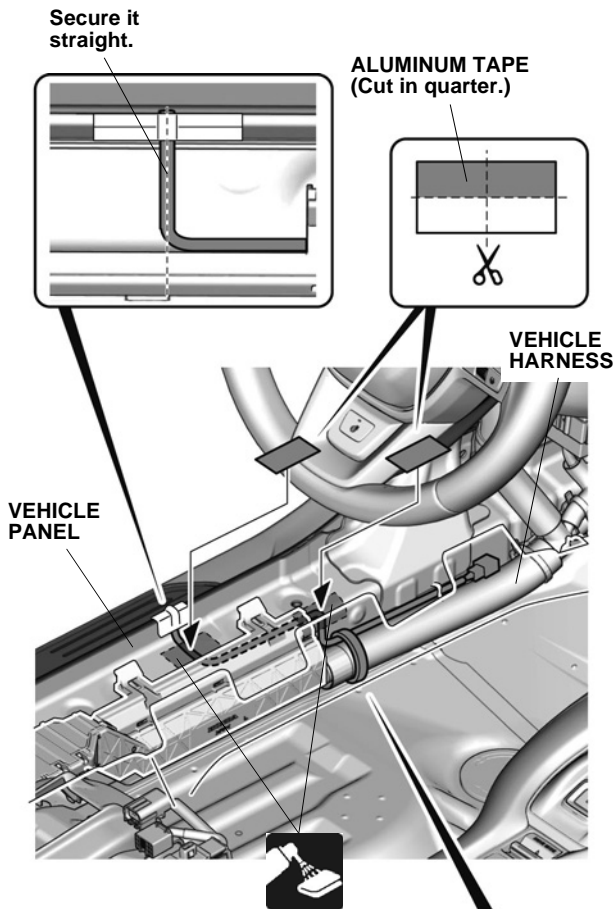
QM80220AG

- 27. Reinstall the protector.

28. Secure the left front garnish harness.

NOTICE

- Do not cover the installation holes.



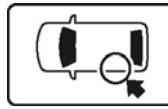
Take sufficient care that the left front garnish harness does not get caught.

WIRE TIE A

RESIN PARTS OF THE FLOOR CARPET

QM80221AG

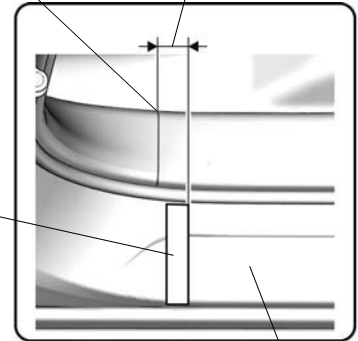
29. Attach the masking tape.



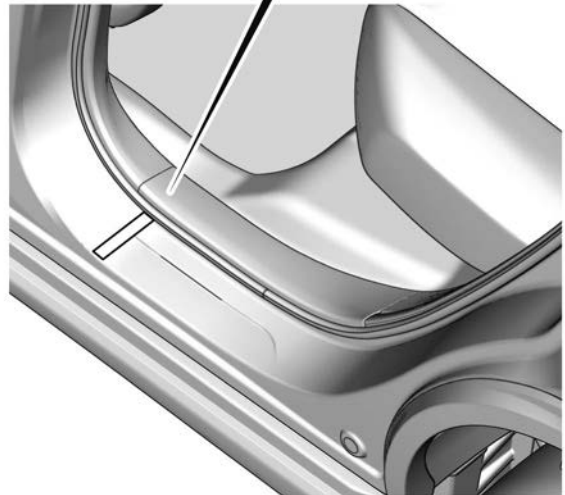
EDGE OF THE LEFT REAR SIDE STEP GARNISH

19 mm (0.75 in.)

MASKING TAPE



VEHICLE PANEL

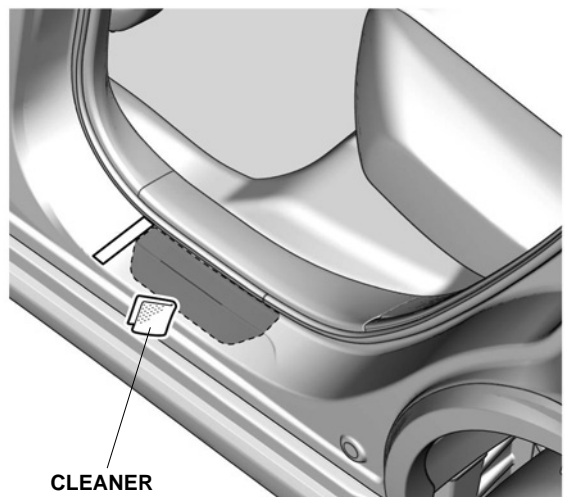


QM80222AG

30. Clean the attaching area.

NOTICE

- Allow to dry thoroughly.



CLEANER

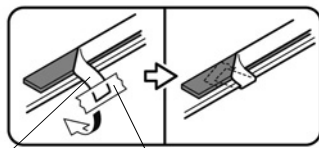
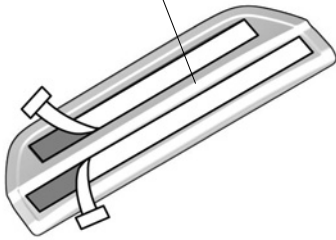
QM80223AG

31. Temporarily attach the adhesive backings.

NOTICE

- Make sure to check the identification mark before installation.

LEFT REAR GARNISH
(identification mark: L)



2 ADHESIVE BACKINGS

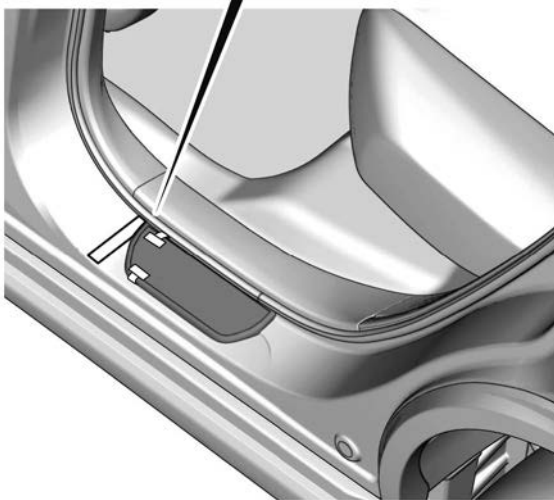
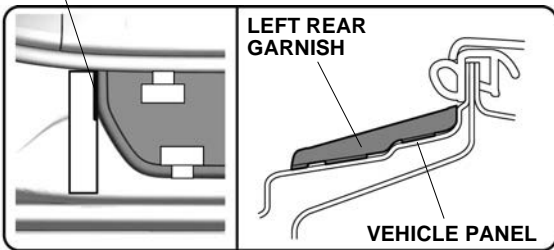
MASKING TAPES

QM80224AG

32. Align the left rear garnish.

Align.

<SECTION VIEW>



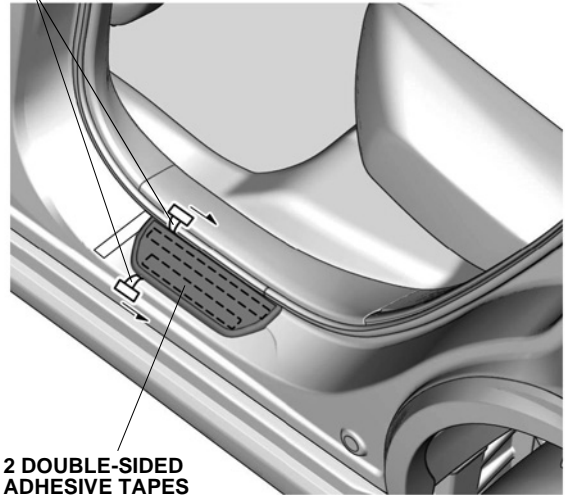
QM80225AG

33. Secure the left rear garnish.

NOTICE

- Check the position of the double-sided adhesive tapes and make sure to press firmly.

2 ADHESIVE BACKINGS



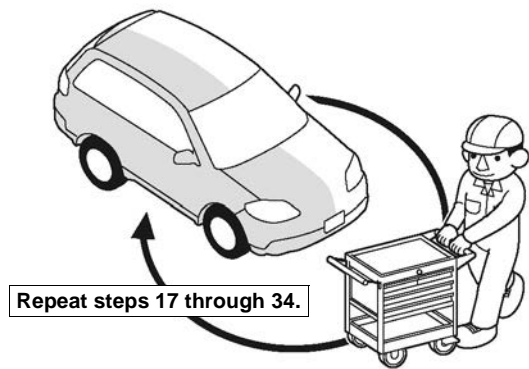
2 DOUBLE-SIDED ADHESIVE TAPES



QM80226AG

34. Remove the masking tape.

35. Repeat the same procedures on the other side.

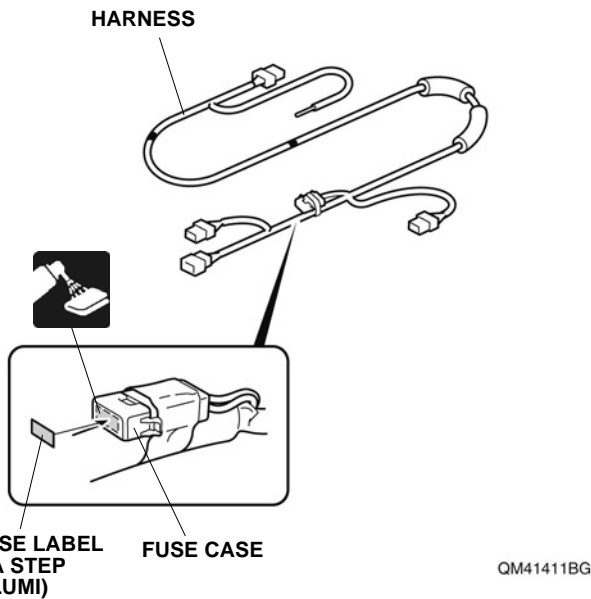


Repeat steps 17 through 34.

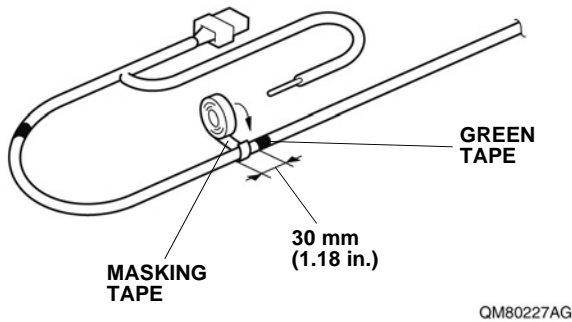
Q9D1014AM

Routing the Harness (LHD)

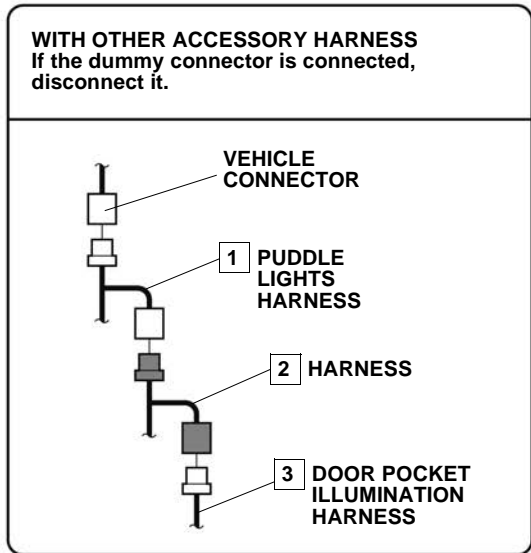
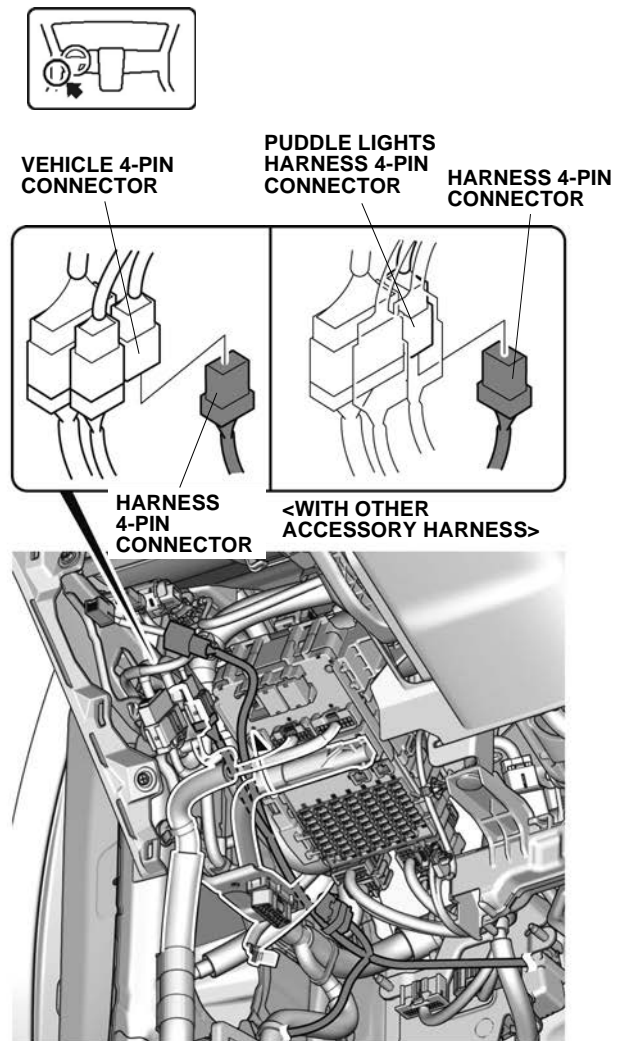
36. Attach the fuse label.



37. Mark the harness.

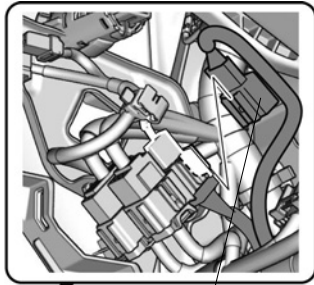


38. Connect the harness connector.

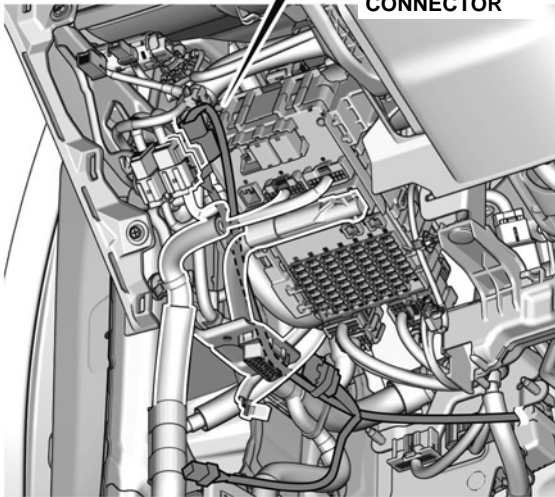


QM80228BG

39. Secure the harness connector.



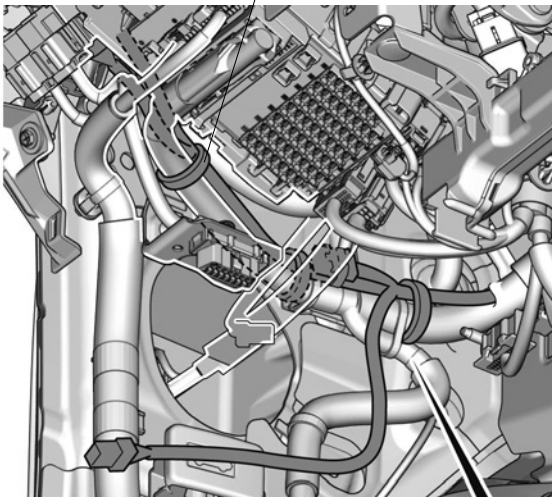
HARNESS 4-PIN CONNECTOR



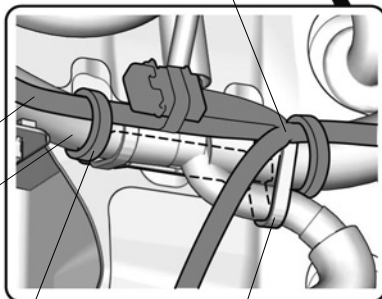
QM80229AG

40. Secure the harness.

WIRE TIE A



HARNESS BRANCH SECTION



HARNESS

VEHICLE HARNESS

2 WIRE TIES A

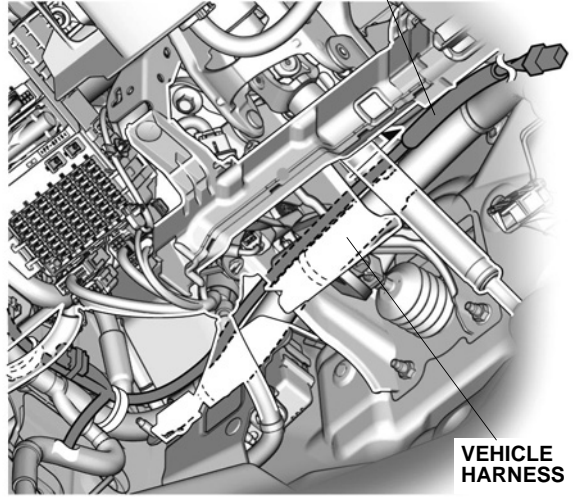
WIRE TIE OF THE VEHICLE CLIP

QM80301AG

41. Route the harness.



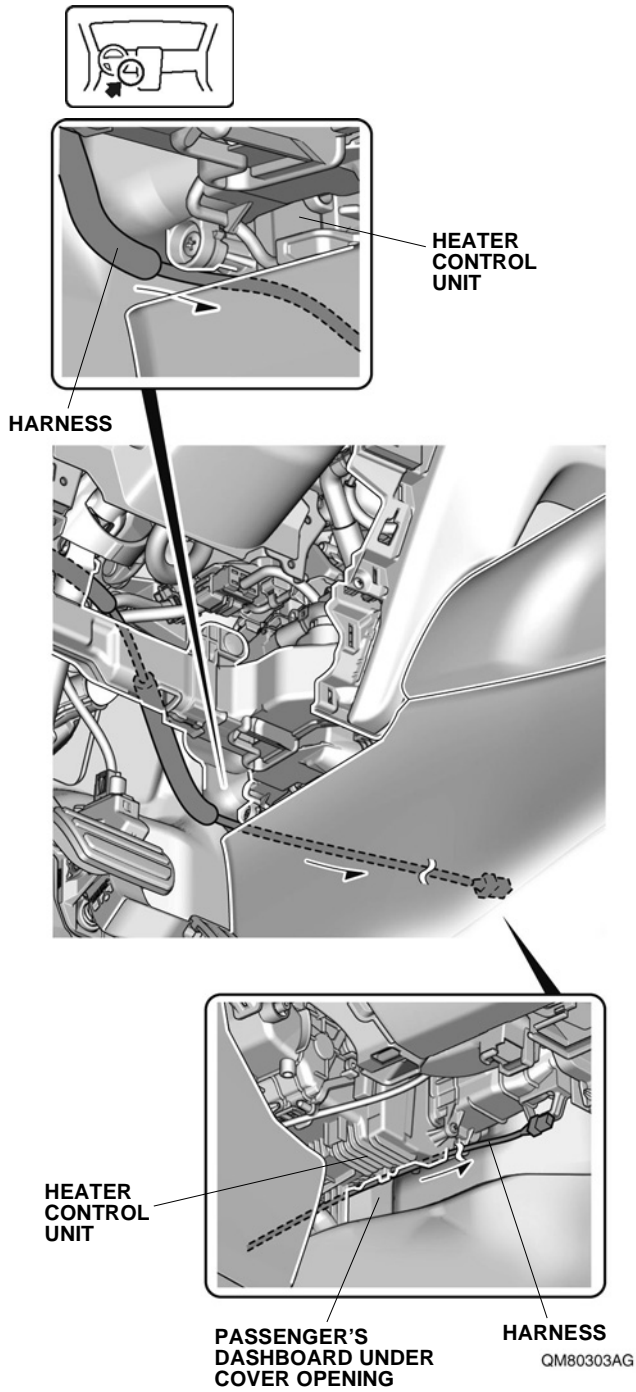
HARNESS (Route along the vehicle harness.)



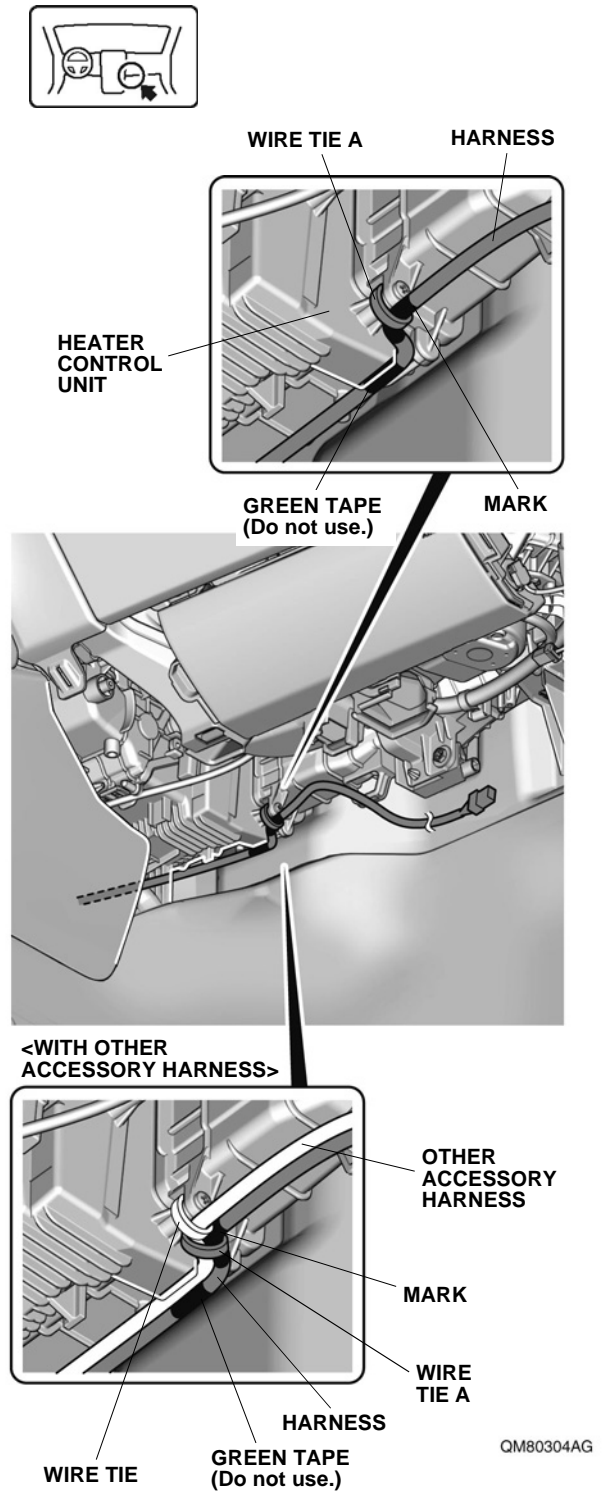
VEHICLE HARNESS

QM02401AG

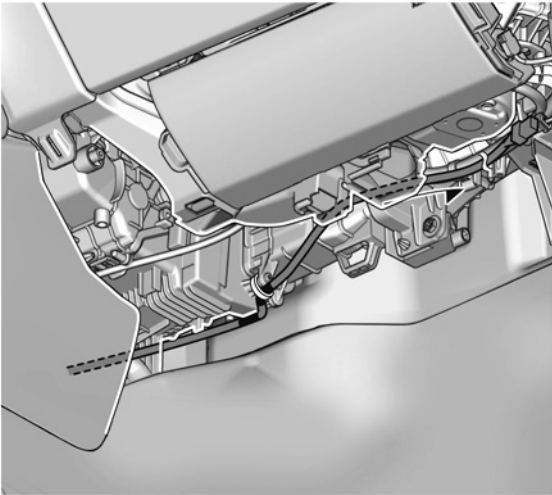
42. Route the harness.



43. Secure the harness.

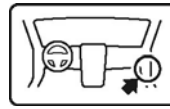


44. Route the harness.

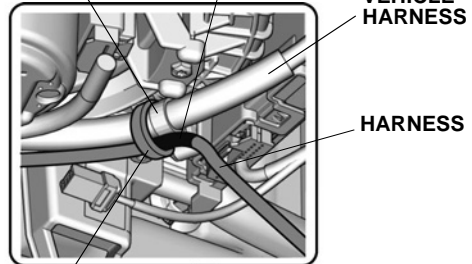


QM80305AG

45. Secure the harness.



VEHICLE CLIP GREEN TAPE

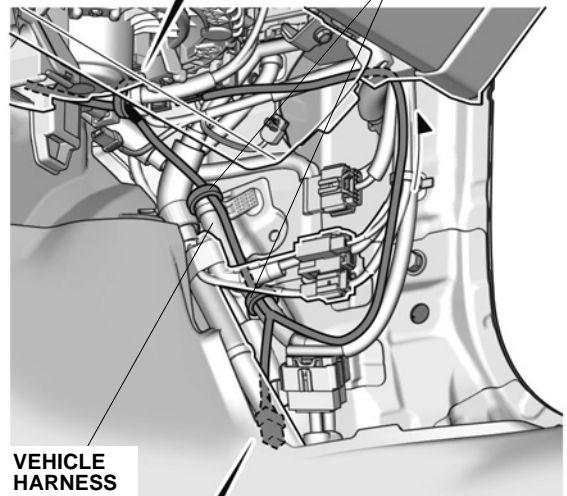


VEHICLE HARNESS

HARNESS

WIRE TIE A

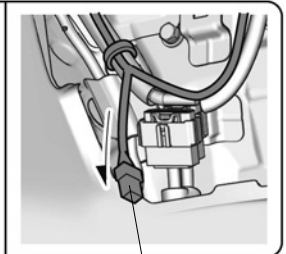
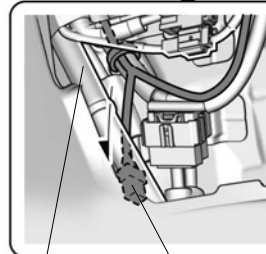
2 WIRE TIES A



VEHICLE HARNESS

<WITH PREMIUM AUDIO>

<WITHOUT PREMIUM AUDIO>



VEHICLE HARNESS

HARNESS 4-PIN CONNECTOR

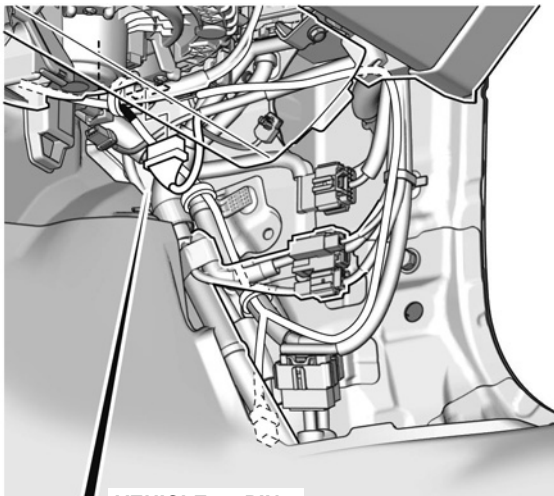
HARNESS 4-PIN CONNECTOR

QM80306BG

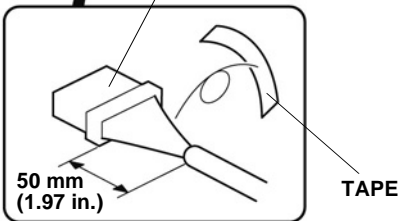
- 46. Disconnect the vehicle connector.
- 47. Cut the tape.

NOTICE

- Be careful not to damage the vehicle harness.



VEHICLE 28-PIN CONNECTOR

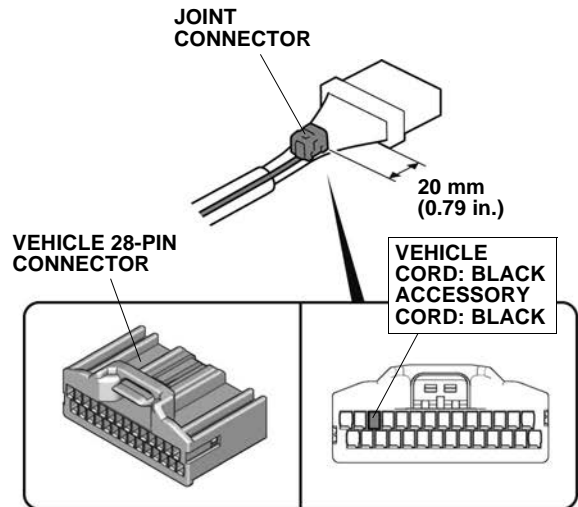


QM80307AG

- 48. Connect the harness cord.

NOTICE

- Make sure to correctly connect the cord.



<HARNESS SIDE VIEW>

How to Use the Joint Connector

| | | |
|---|--------------------------------------|-----------------------|
| <p>1 ACCESSORY CORD</p> <p>CASE</p> | <p>2</p> | <p>3 VEHICLE CORD</p> |
| <p>4 COVER</p> <p>FIRST LOCK POSITION</p> | <p>5</p> <p>SECOND LOCK POSITION</p> | |

How to deal with the incorrectly secured joint connector.
Do not remove the secured joint connector once.

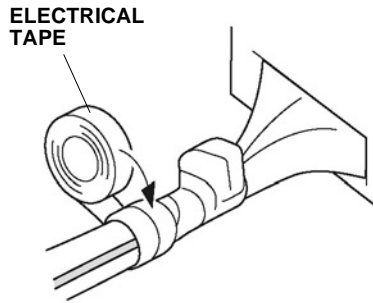
| | |
|--|---|
| <p>1</p> <p>Make sure to secure in second lock position.</p> <p>Approx. 40 mm (Approx. 1.57 in.)</p> <p>ACCESSORY CORD</p> | <p>2</p> <p>ELECTRICAL TAPE (Insulate.)</p> |
| <p>3 Use the new joint connector to secure the accessory cord to the correct cord.</p> | |

QM80308AG

49. Secure the harness cord.

NOTICE

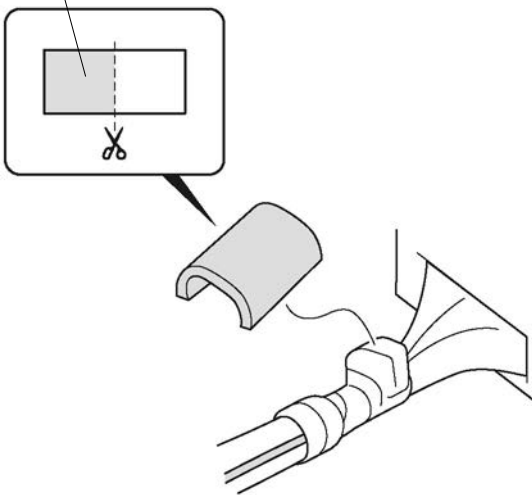
- Wrap the electrical tape around the tubes and tapes of the vehicle harness.



QG91822AB

50. Attach the urethane tape.

URETHANE TAPE
(Cut in half.)

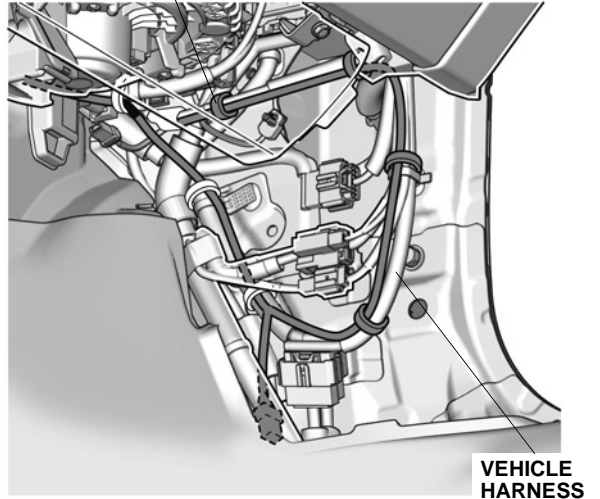


QGN1716AA

51. Reconnect the vehicle connector.

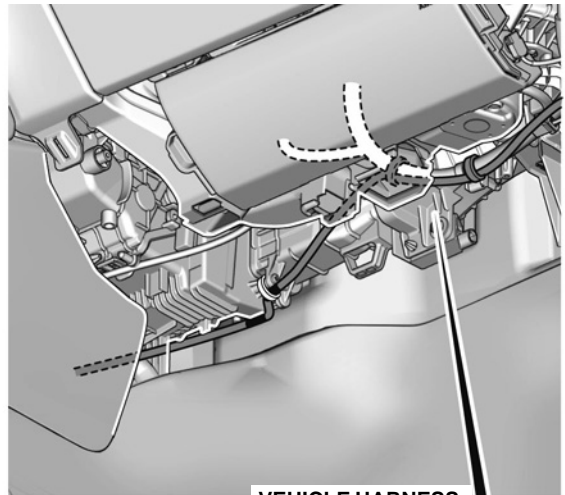
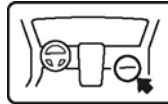
52. Secure the harness.

4 WIRE TIES A

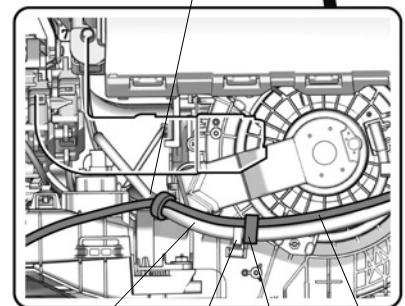


QM80309AG

53. Secure the harness.

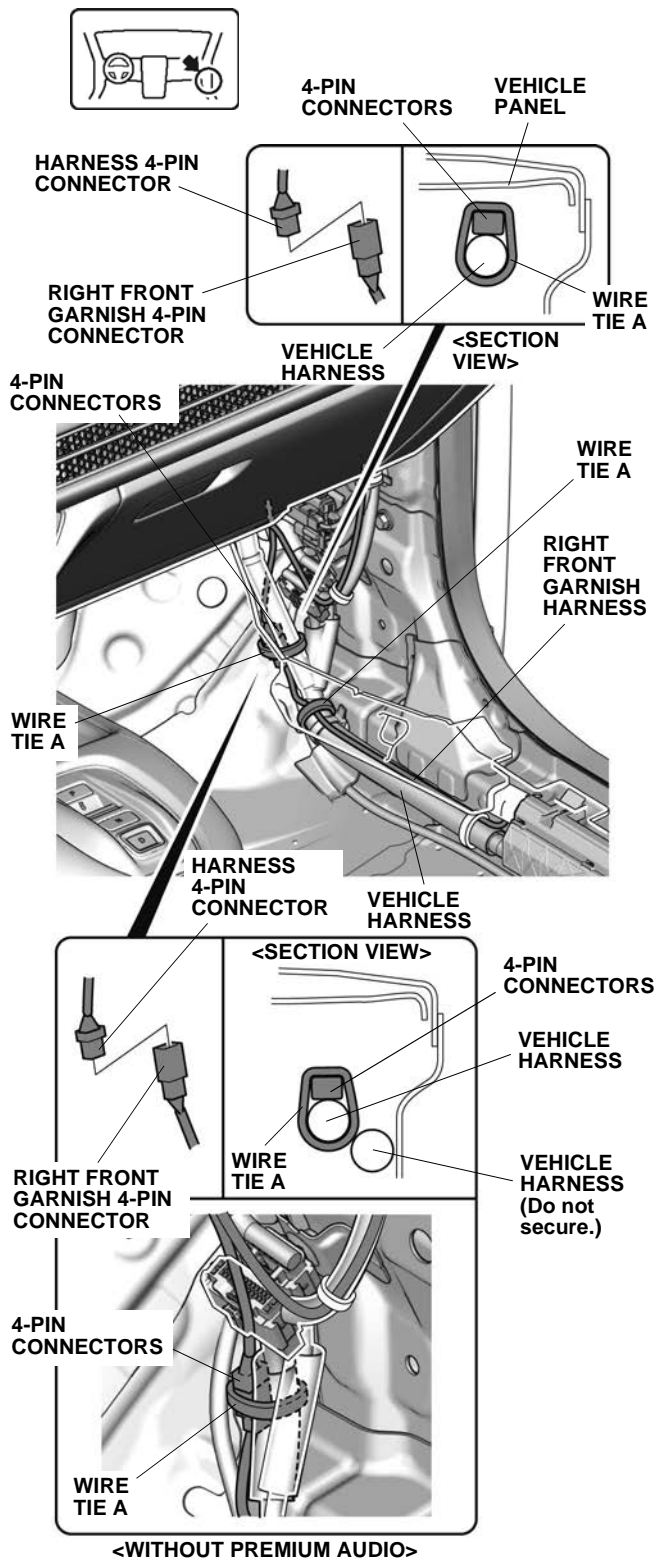


**VEHICLE HARNESS
BRANCH SECTION**



VEHICLE HARNESS **VEHICLE CLIP** **HARNESS**
QM80310AG
2 WIRE TIES A

54. Connect the harness connector.
55. Secure the right front garnish harness and connectors.

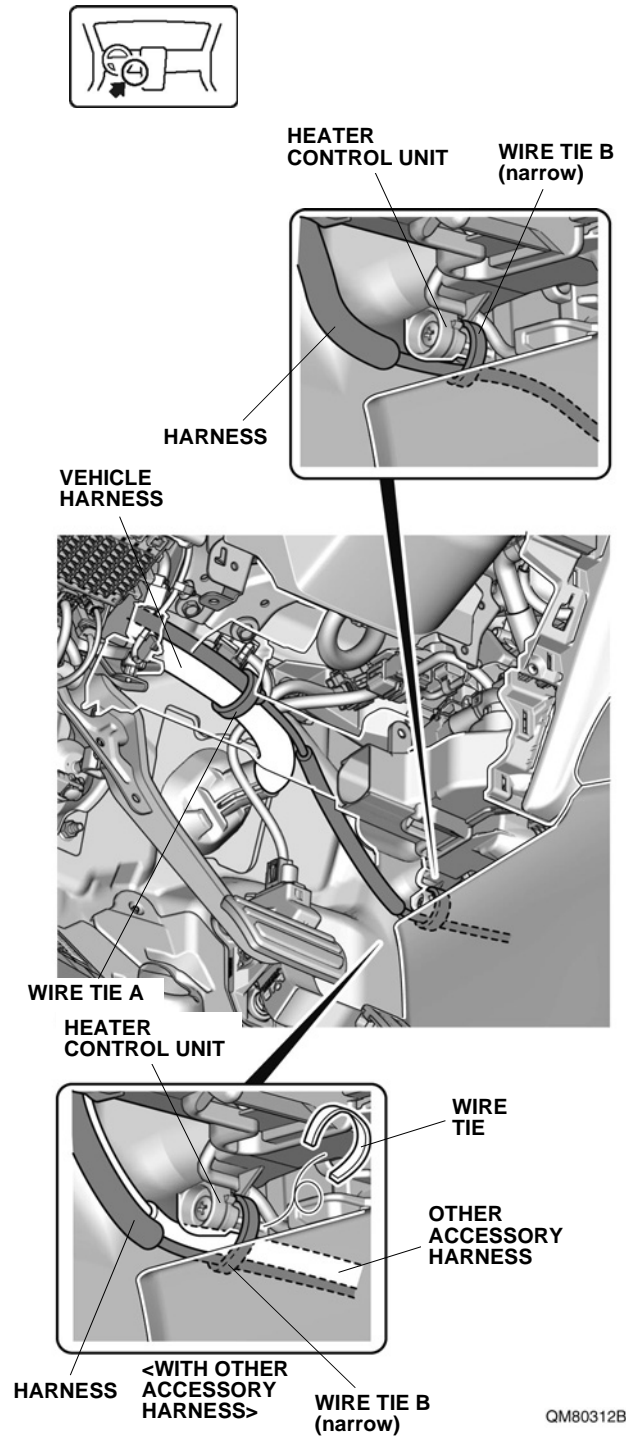


QM80311AG

56. Secure the harness.

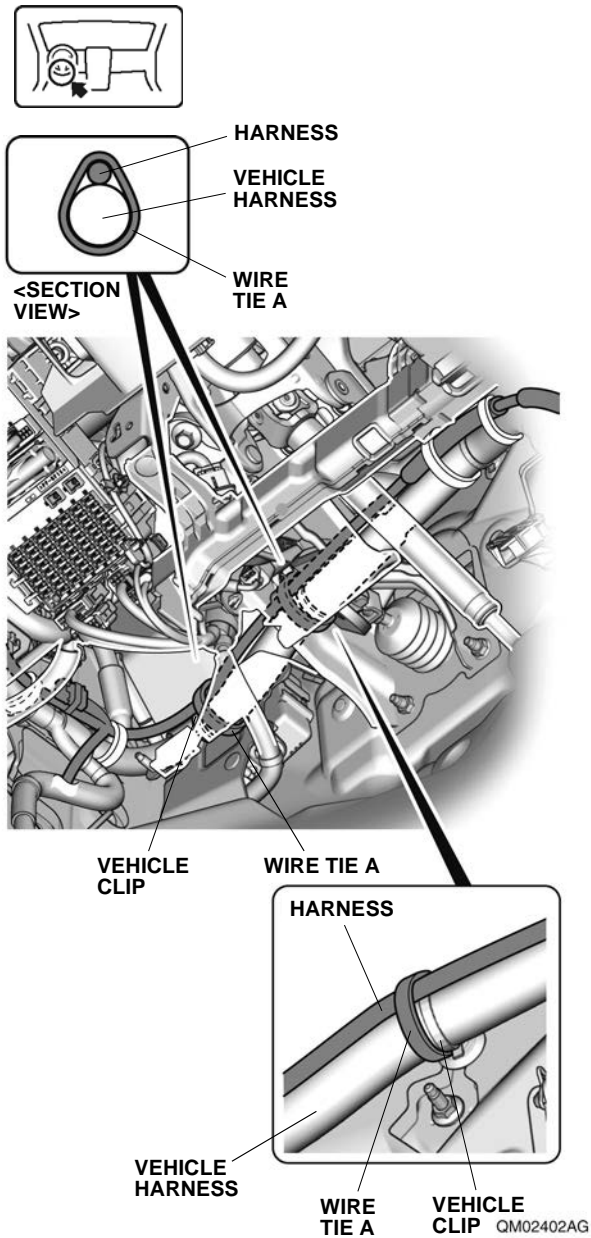
NOTICE

- Be careful not to damage the harness.



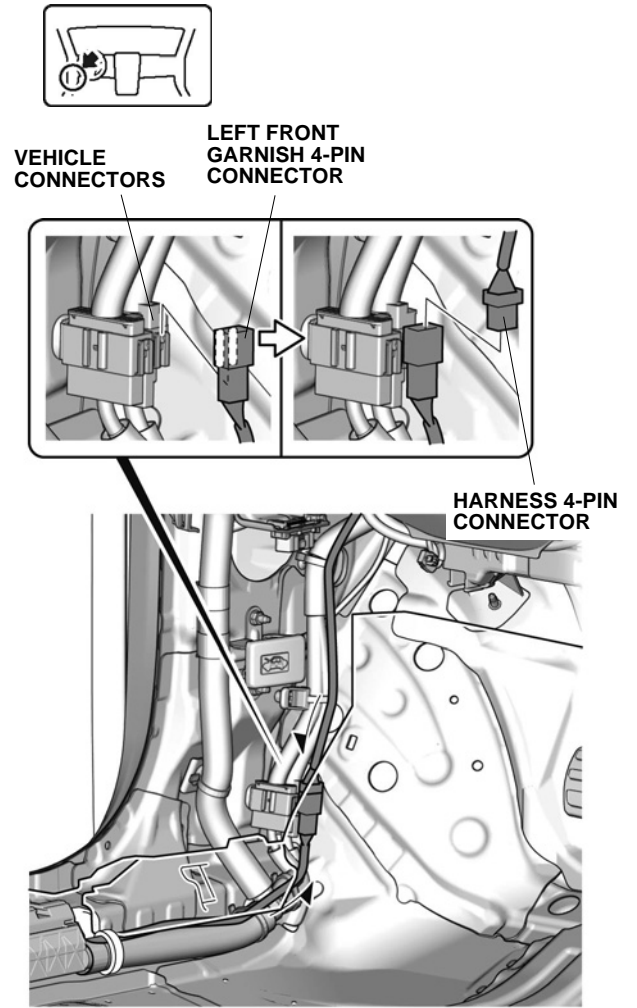
QM80312BG

57. Secure the harness.



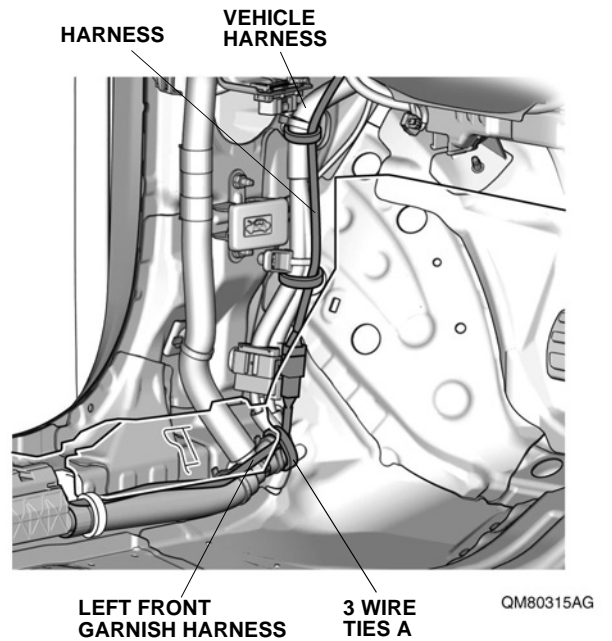
58. Secure the left front garnish connector.

59. Connect the harness connector.



QM80314AG

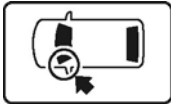
60. Secure the harness and left front garnish harness.



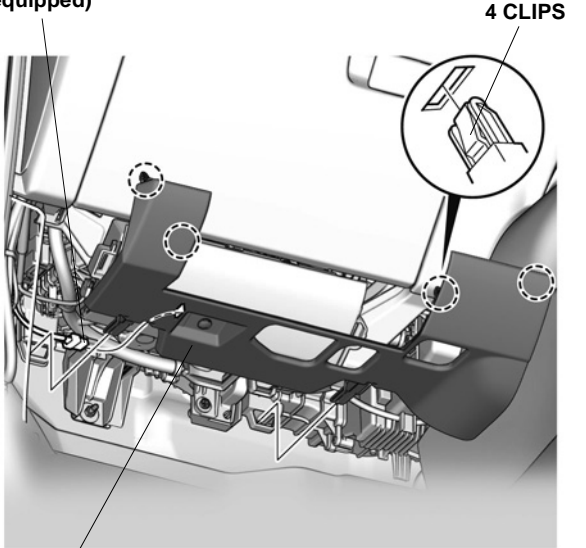
To step 126

Removing the Vehicle Parts (RHD)

61. Remove the passenger's dashboard under cover.



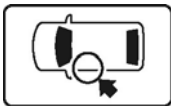
VEHICLE CONNECTOR (if equipped)



PASSENGER'S DASHBOARD UNDER COVER

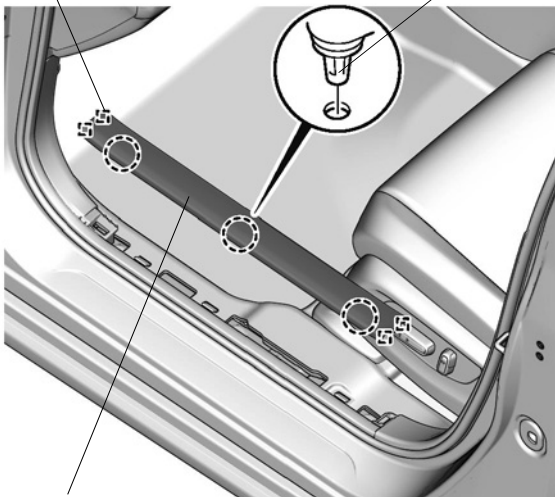
QM80402AG

62. Remove the left front side step garnish.



4 RETAINING TABS

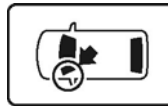
3 CLIPS



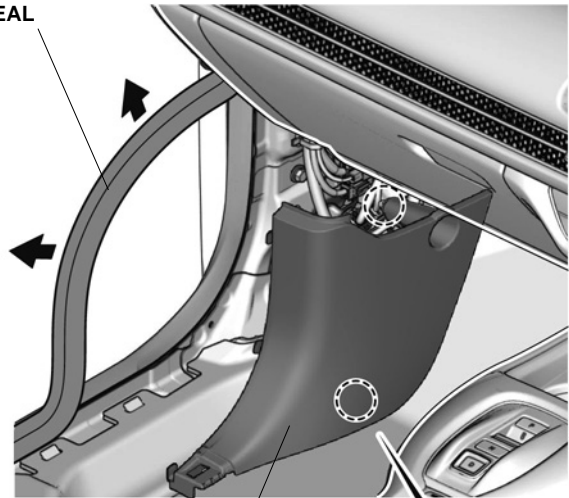
LEFT FRONT SIDE STEP GARNISH

QM11112AG

63. Remove the left kick panel.



DOOR OPENING SEAL



LEFT KICK PANEL

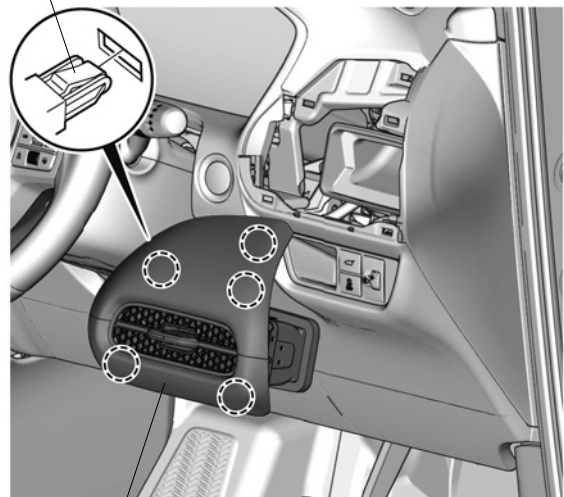
2 CLIPS

QM41402AG

64. Remove the driver's panel.



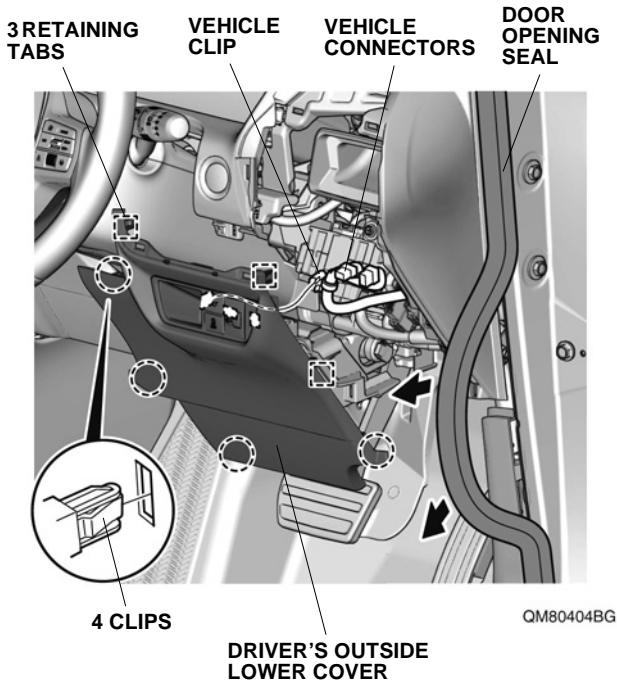
5 CLIPS



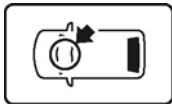
DRIVER'S PANEL

QM80403AG

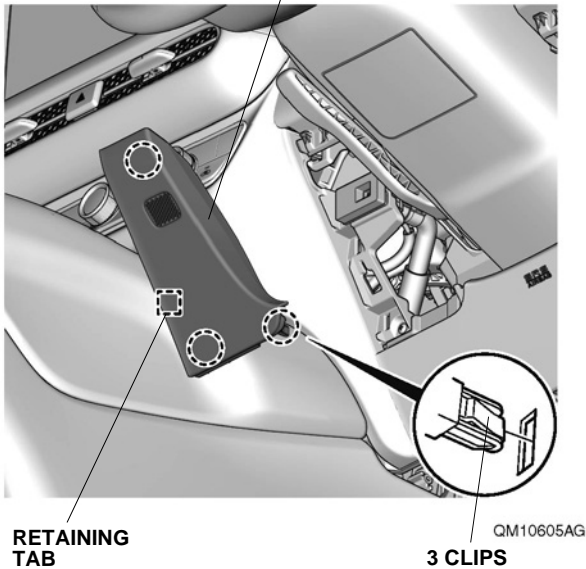
65. Remove the driver's outside lower cover.



66. Remove the driver's inside lower cover.



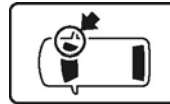
DRIVER'S INSIDE LOWER COVER



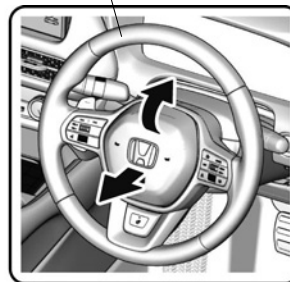
67. Adjust the tilt of the steering column to its highest position. Then bring the telescope position to all the way out.
68. Remove the driver's knee airbag.

CAUTION

- Work after leaving more than three minutes after disconnecting the negative cable from the battery.
- Do not drop the removed airbag or hit it on an object.
- Place the removed airbag on a safe place with the pad surface (top) facing upward.

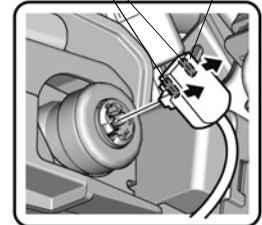


STEERING WHEEL



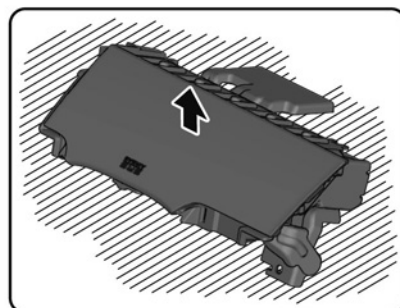
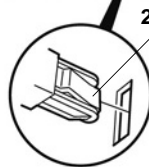
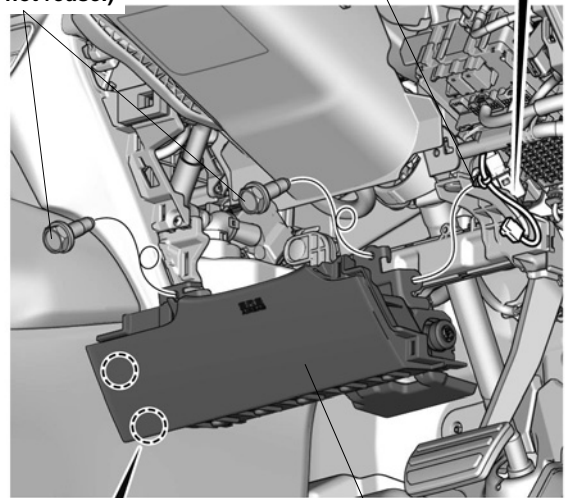
2 RETAINING TABS

VEHICLE CONNECTOR

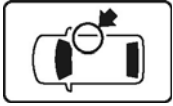


2 BOLTS
(Do not reuse.)

VEHICLE CLIP

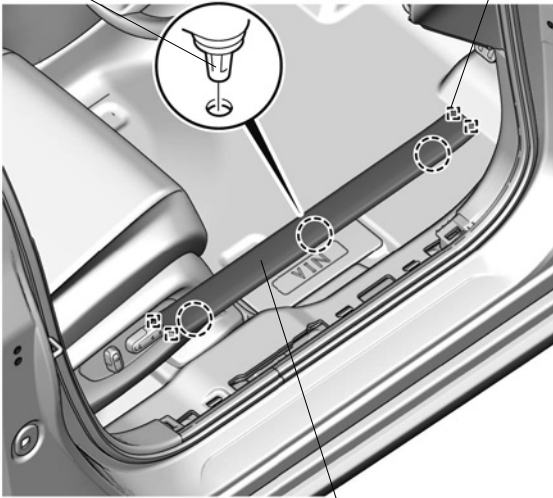


69. Remove the right front side step garnish.



3 CLIPS

4 RETAINING TABS



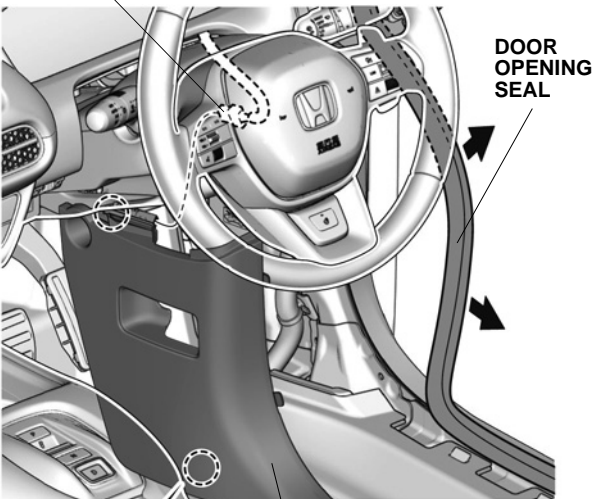
RIGHT FRONT SIDE STEP GARNISH

QM80406AG

70. Remove the right kick panel.



VEHICLE CONNECTOR (if equipped)



DOOR OPENING SEAL

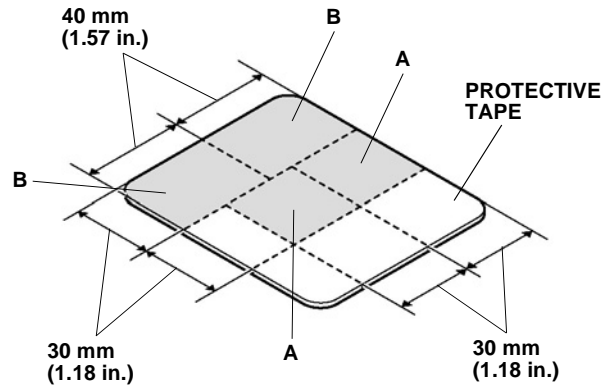
RIGHT KICK PANEL

2 CLIPS

QM80407AG

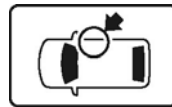
Installing the Side Step Garnishes (RHD)

71. Cut the protective tape.



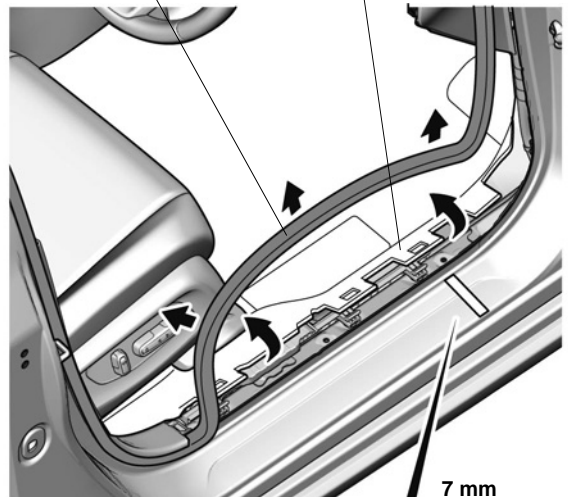
QE22410AH

72. Attach the masking tape.



DOOR OPENING SEAL

FLOOR CARPET



PROTECTOR

7 mm (0.28 in.)

VEHICLE PANEL

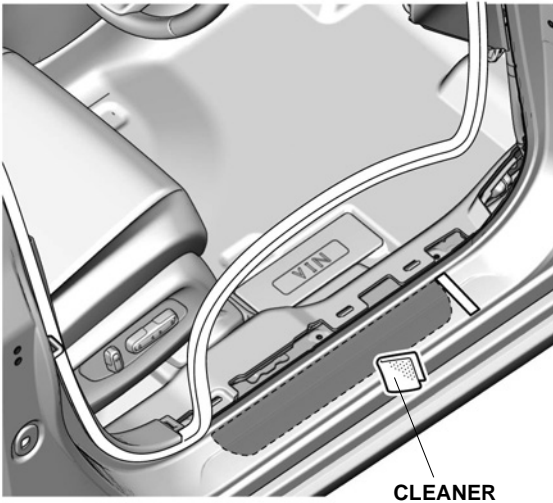
MASKING TAPE

QM11202AG

73. Clean the attaching area.

NOTICE

- Allow to dry thoroughly.

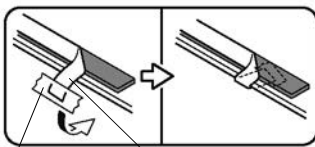
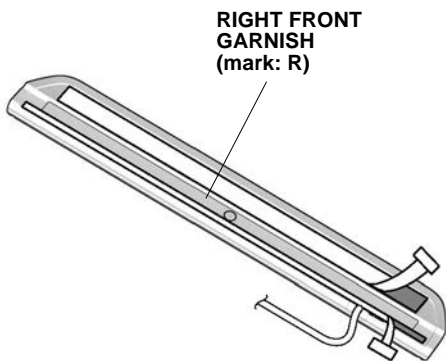


QM80408AG

74. Temporarily attach the adhesive backings.

NOTICE

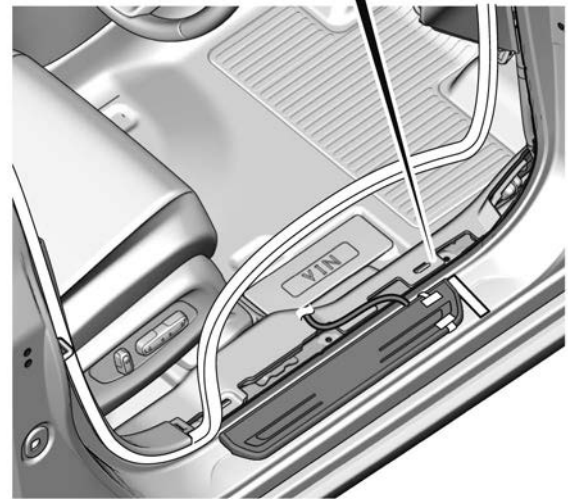
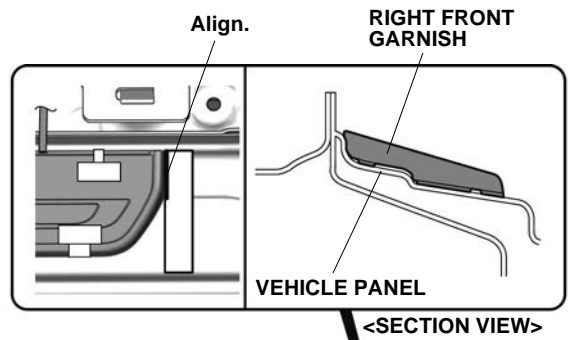
- Make sure to check the mark before installation.



MASKING TAPES 2 ADHESIVE BACKINGS

QM11203AG

75. Align the right front garnish.

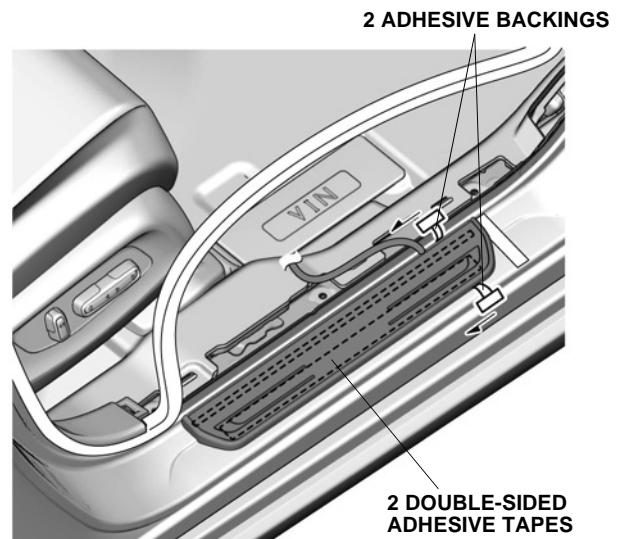


QM80409AG

76. Secure the right front garnish.

NOTICE

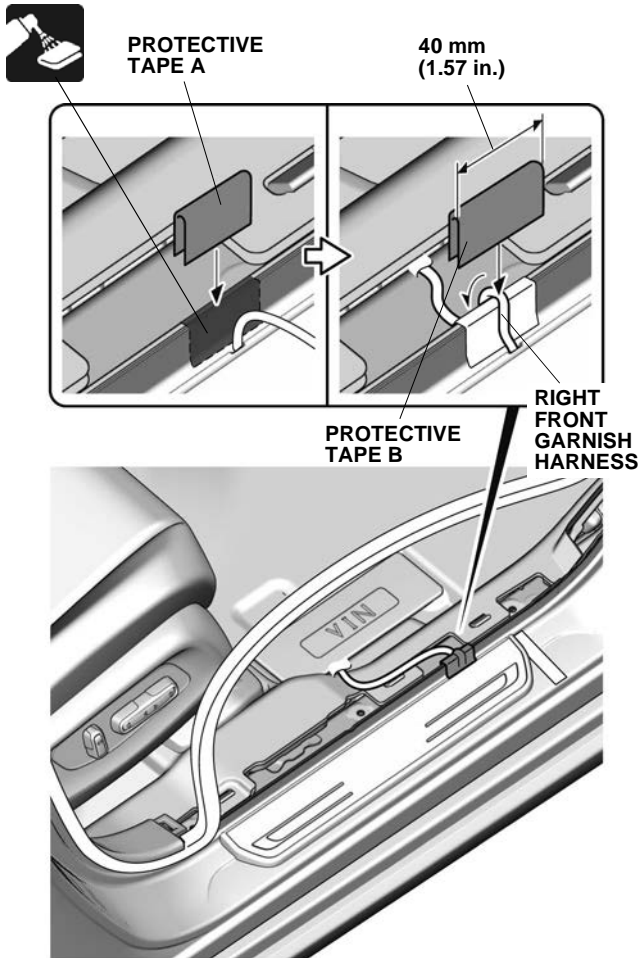
- Check the position of the double-sided adhesive tapes and make sure to press firmly.



QM80410AG

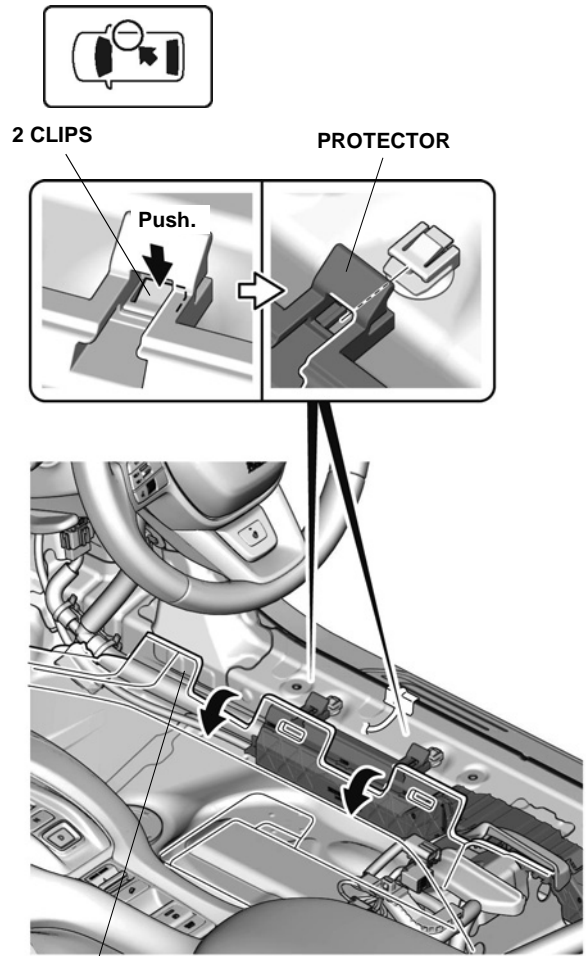
77. Remove the masking tape.

- 78. Attach the protective tape A.
- 79. Secure the right front garnish harness.



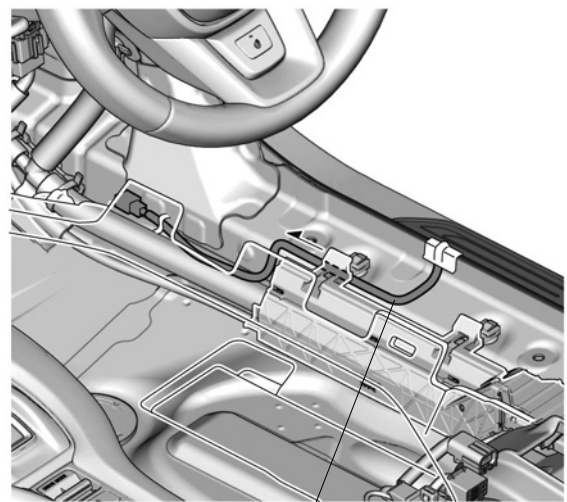
QM80411AG

- 80. Release the protector.



QM80412AG

- 81. Route the right front garnish harness.



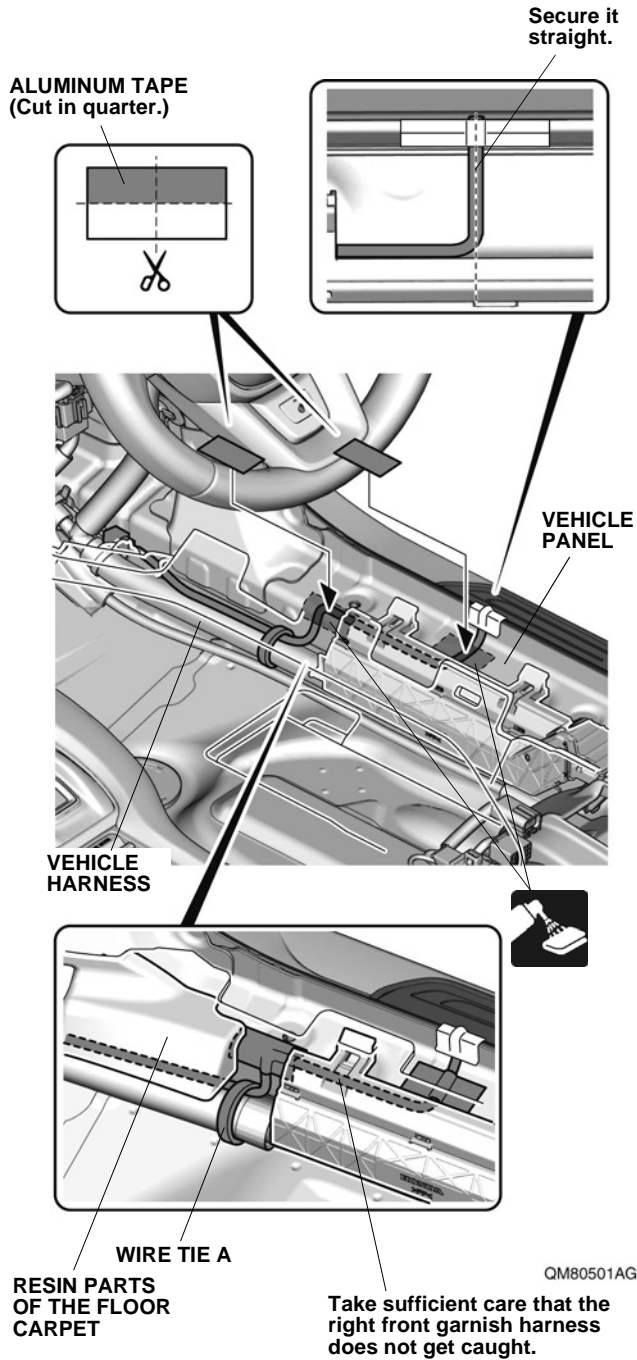
QM80413AG

- 82. Reinstall the protector.

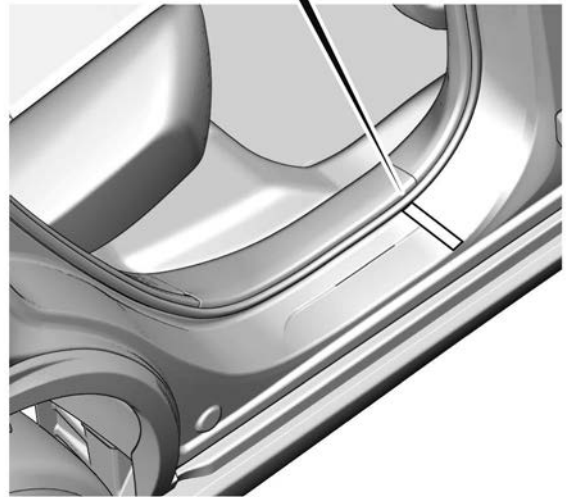
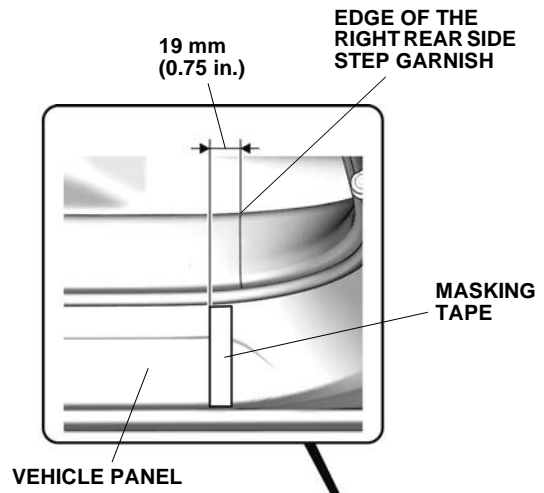
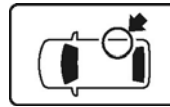
83. Secure the right front garnish harness.

NOTICE

- Do not cover the installation holes.



84. Attach the masking tape.

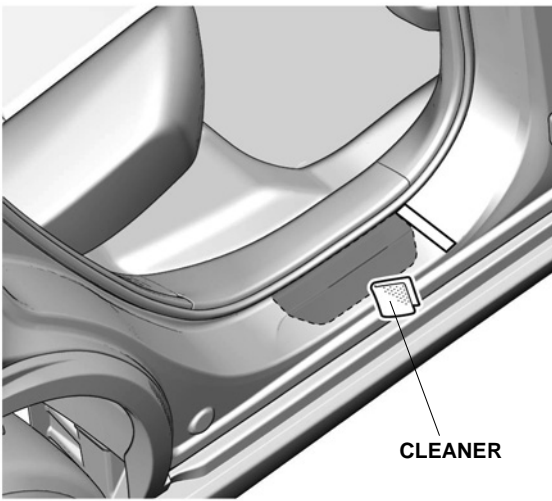


QM11211AG

85. Clean the attaching area.

NOTICE

- Allow to dry thoroughly.



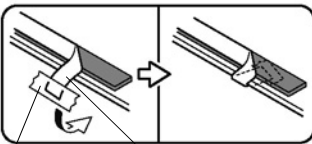
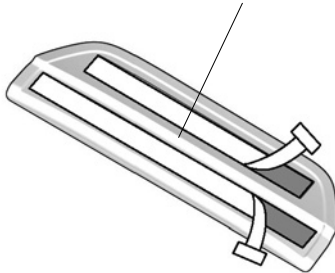
QM80502AG

86. Temporarily attach the adhesive backings.

NOTICE

- Make sure to check the identification mark before installation.

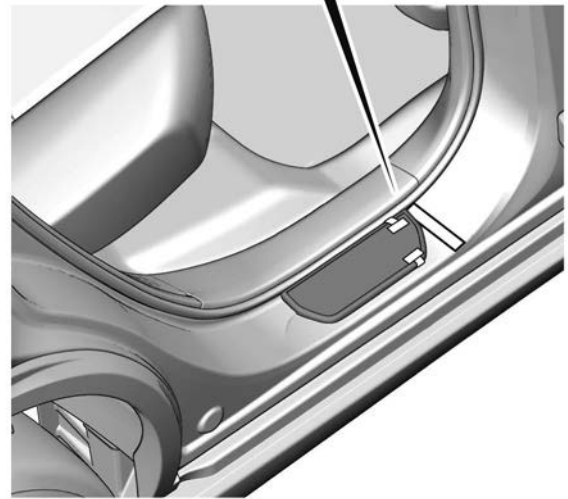
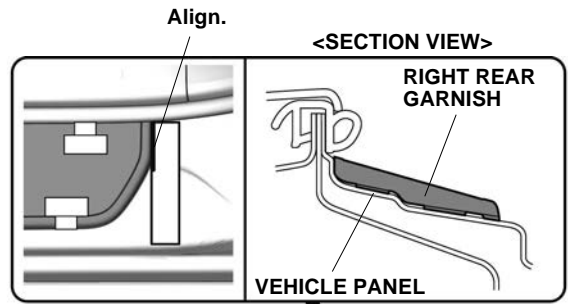
RIGHT REAR GARNISH
(identification mark: R)



MASKING TAPES **2 ADHESIVE BACKINGS**

QM11210AG

87. Align the right rear garnish.

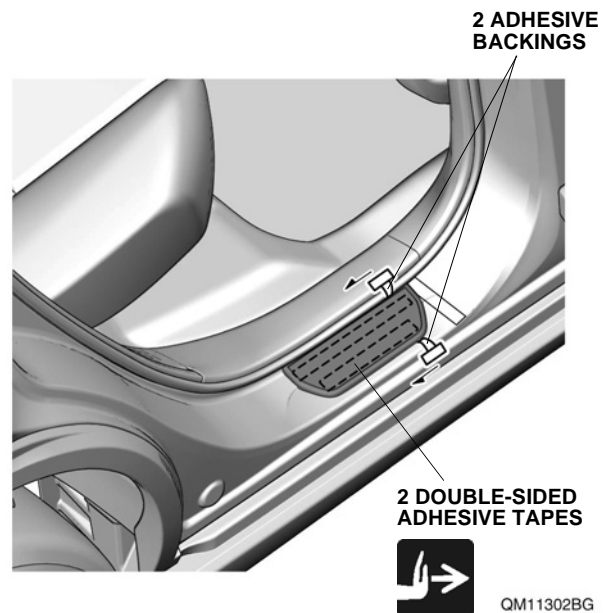


QM41409AG

88. Secure the right rear garnish.

NOTICE

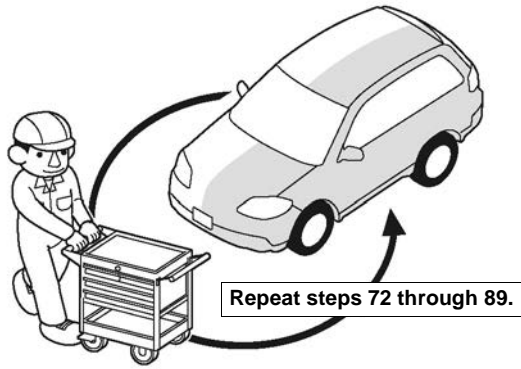
- Check the position of the double-sided adhesive tapes and make sure to press firmly.



QM11302BG

89. Remove the masking tape.

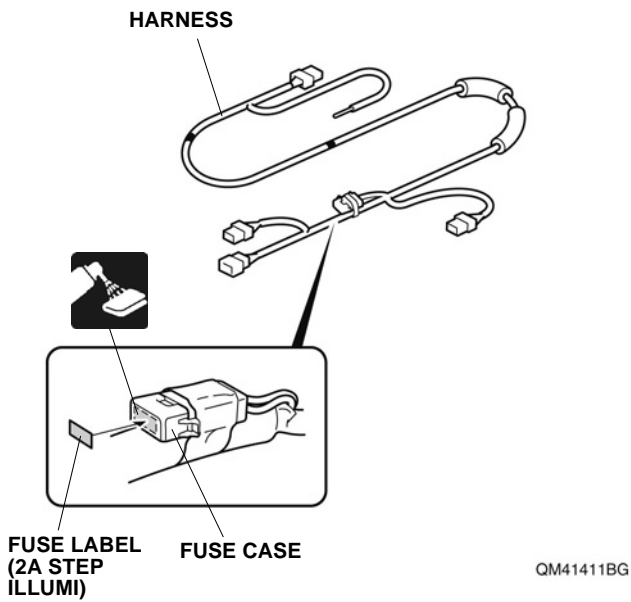
90. Repeat the same procedures on the other side.



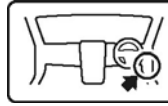
Q9D1013AM

Routing the Harness (RHD)

91. Attach the fuse label.

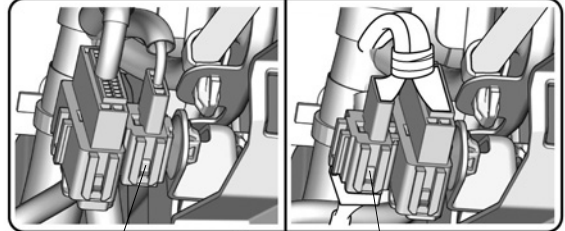


92. Locate the vehicle connector.



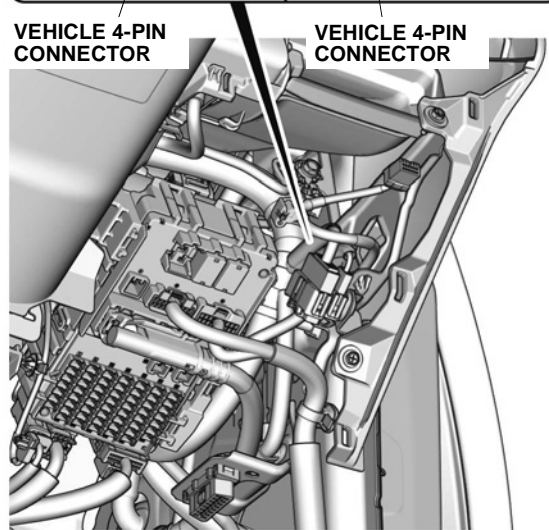
<VEHICLE 4-PIN CONNECTOR LOCATED ON THE RIGHT SIDE>

<VEHICLE 4-PIN CONNECTOR LOCATED ON THE LEFT SIDE>



VEHICLE 4-PIN CONNECTOR

VEHICLE 4-PIN CONNECTOR



QM02703AG

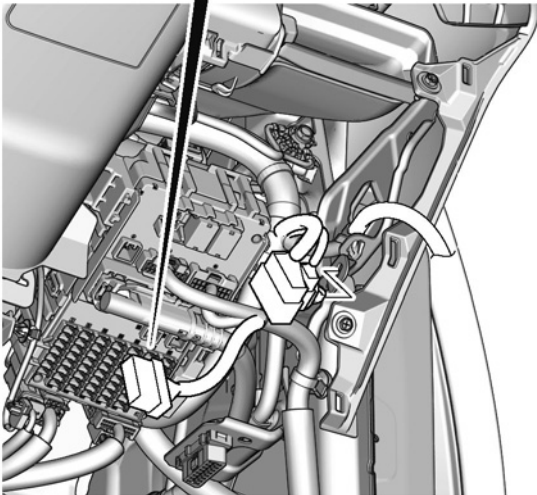
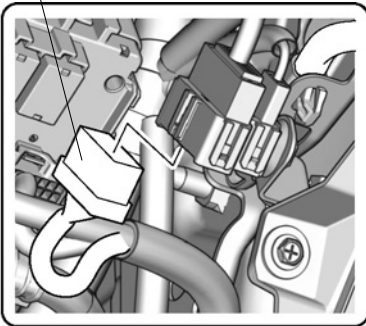
93. Follow the below guidance.

- Vehicle 4-pin connector located on the right side
To step 94
- Vehicle 4-pin connector located on the left side
To step 103

94. Disconnect the vehicle connector.

95. Release the vehicle connectors.

**VEHICLE
CONNECTOR**



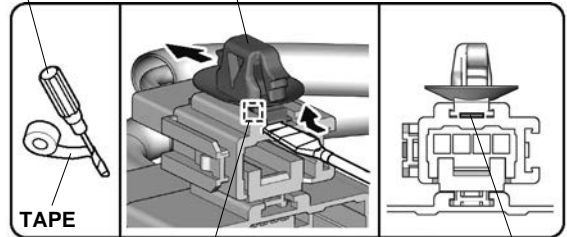
QM82903AA

96. Remove the vehicle clip.

97. Release the vehicle connector.

**FLAT-TIP
SCREWDRIVER**

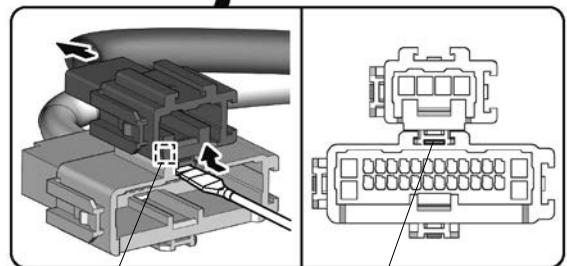
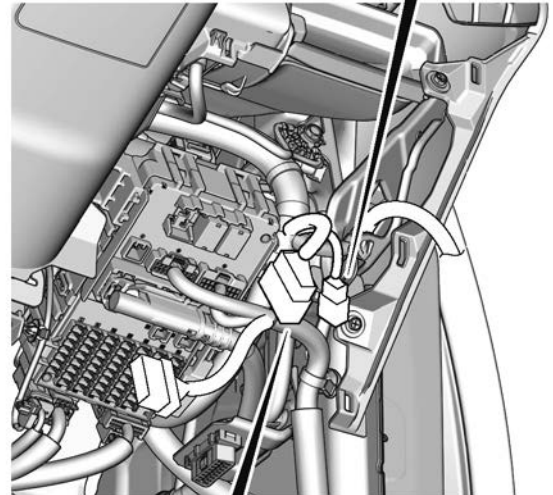
VEHICLE CLIP



TAPE

RETAINING TAB

**INSERTING
POSITION**



RETAINING TAB

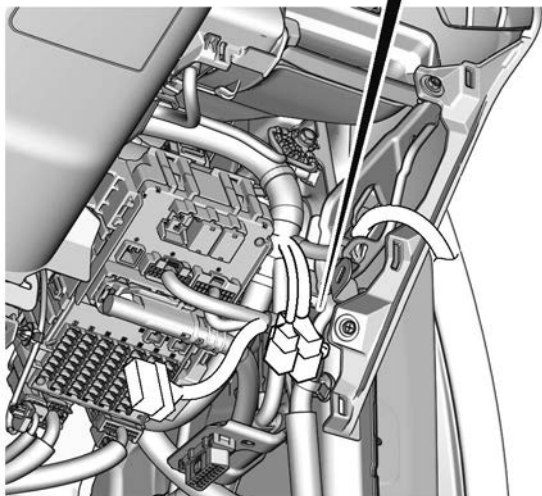
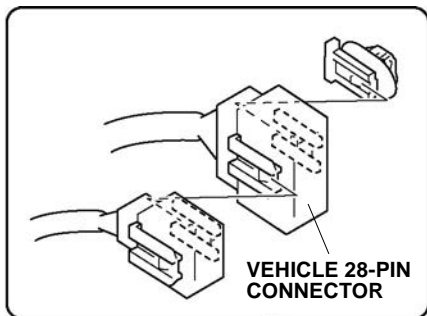
**INSERTING
POSITION**

QM82904BA

98. Install the vehicle connector and vehicle clip.

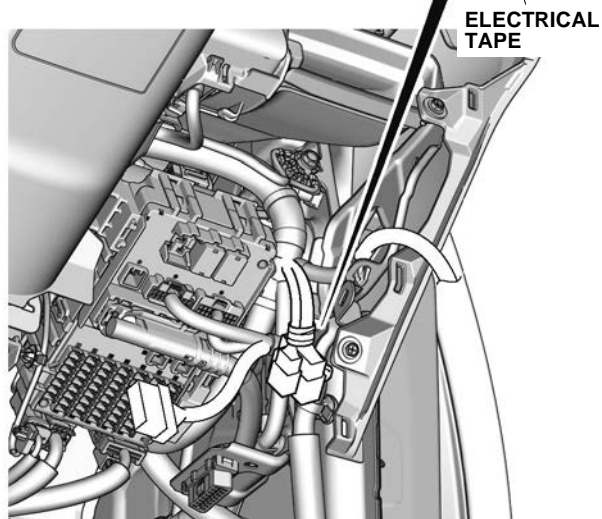
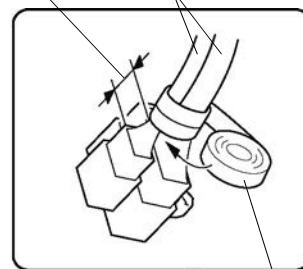
NOTICE

- Make sure to install the vehicle connector and vehicle clip in the correct position.



99. Secure the vehicle harness.

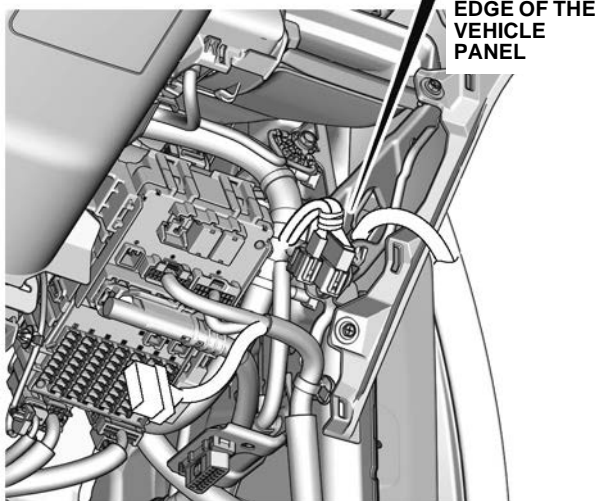
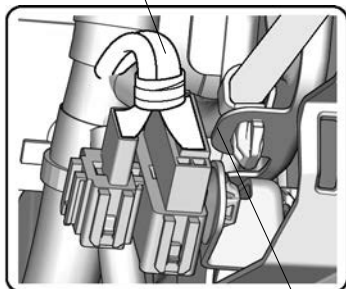
15 mm (0.59 in.) VEHICLE HARNESS



100. Reinstall the vehicle connectors.

101. Check the installing condition of the vehicle harness.

Make sure that the vehicle harness is not interfering with the edge of the vehicle panel.

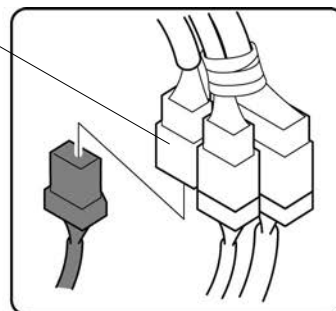


QM82907AA

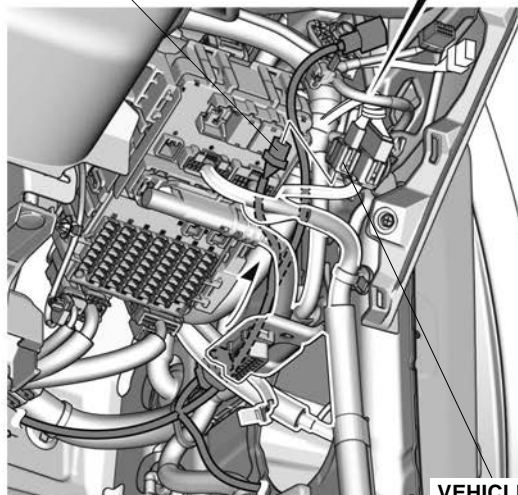
102. Reconnect the vehicle connector.

103. Connect the harness connector.

<WITH OTHER ACCESSORY HARNESS>
PUDDLE LIGHTS HARNESS 4-PIN CONNECTOR

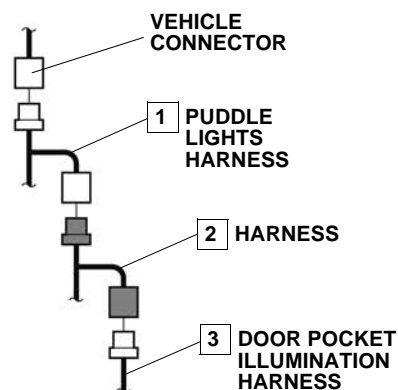


HARNESS 4-PIN CONNECTOR



VEHICLE 4-PIN CONNECTOR

WITH OTHER ACCESSORY HARNESS
 If the dummy connector is connected, disconnect it.

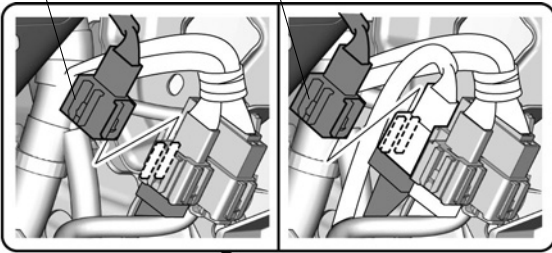


QM80503BG

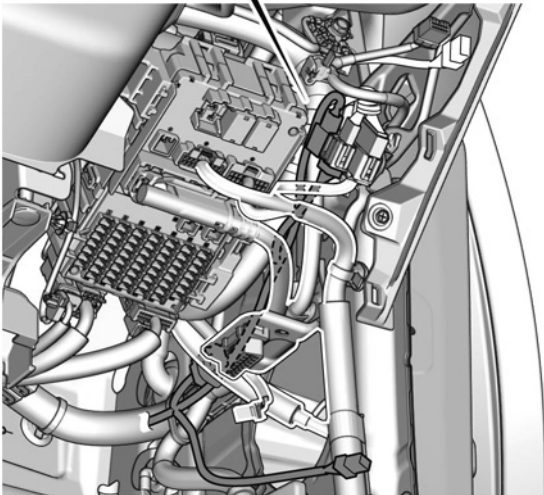
104. Secure the harness connector.

HARNESS 4-PIN
CONNECTOR

HARNESS 4-PIN
CONNECTOR



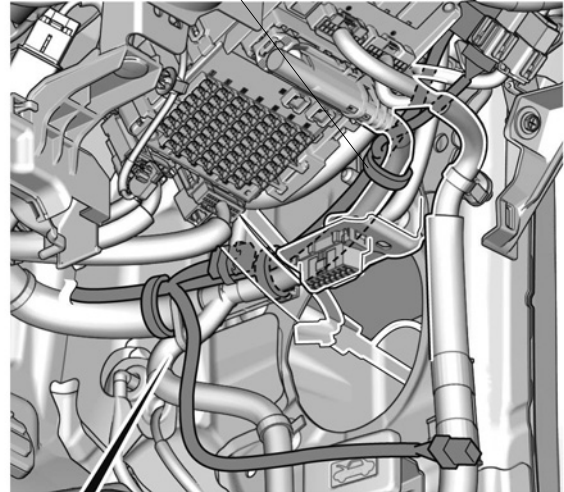
<WITH OTHER
ACCESSORY HARNESS>



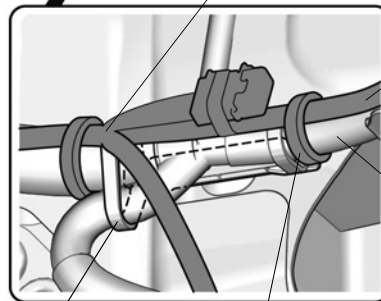
QM80504BG

105. Secure the harness.

WIRE TIE A



HARNESS
BRANCH SECTION



HARNESS

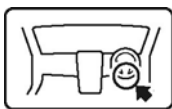
VEHICLE
HARNESS

WIRE TIE OF THE
VEHICLE CLIP

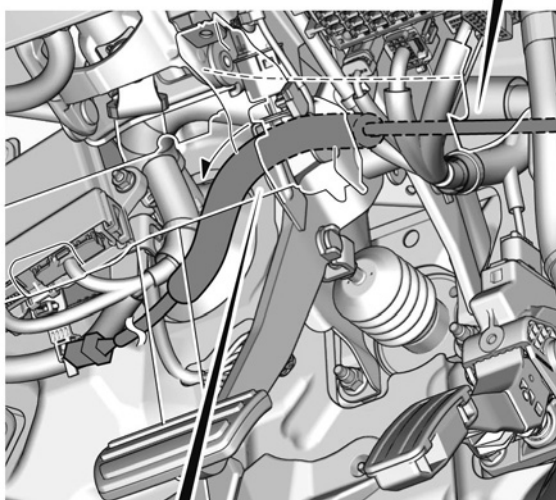
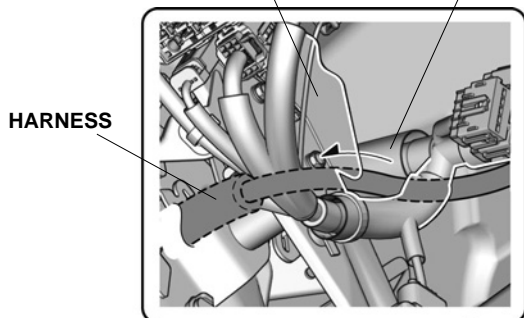
2 WIRE TIES A

QM80505AG

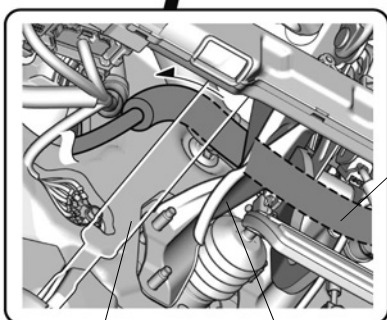
106. Route the harness.



VEHICLE FRAME
VEHICLE HARNESS



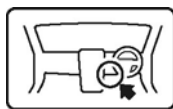
<OPPOSITE SIDE VIEW>



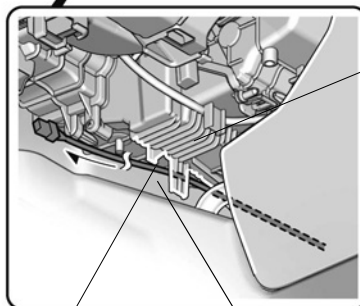
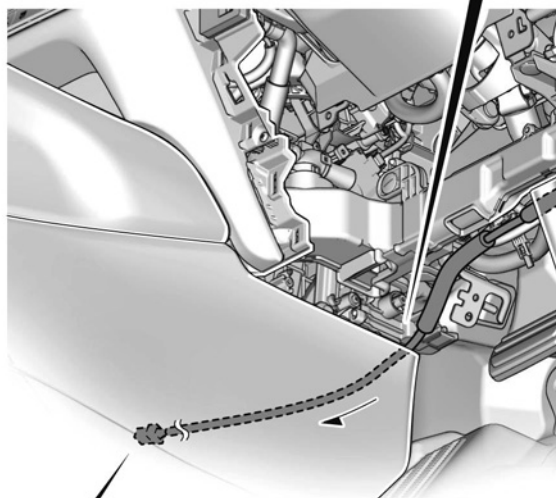
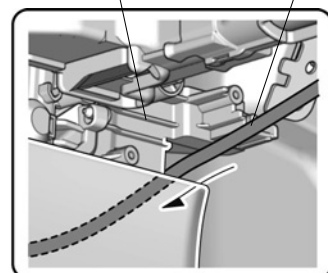
STEERING SHAFT
VEHICLE FRAME

QM80506AG

107. Route the harness.



HEATER CONTROL UNIT
HARNESS

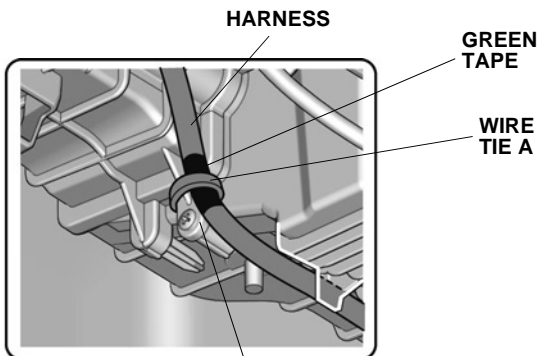
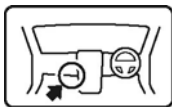


HARNESS
PASSENGER'S DASHBOARD UNDER COVER OPENING

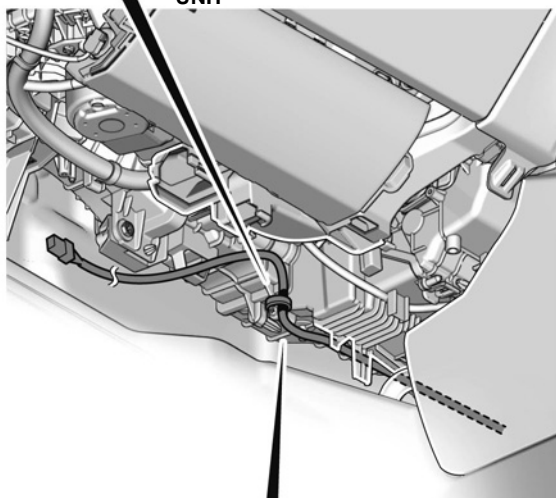
HEATER CONTROL UNIT

QM41415BG

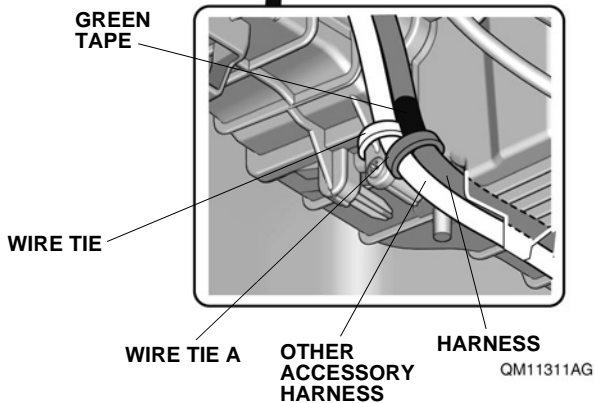
108. Secure the harness.



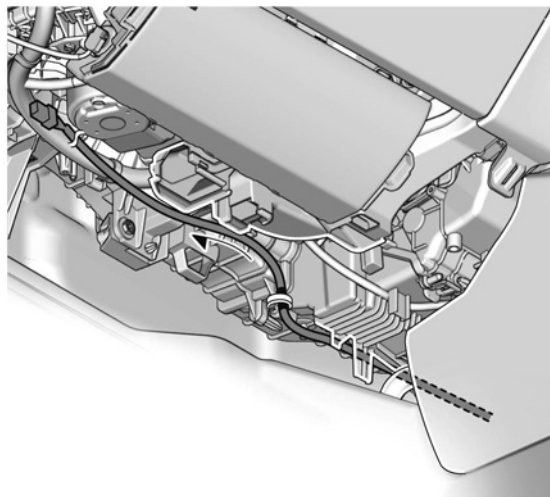
HEATER CONTROL UNIT



<WITH OTHER ACCESSORY HARNESS>

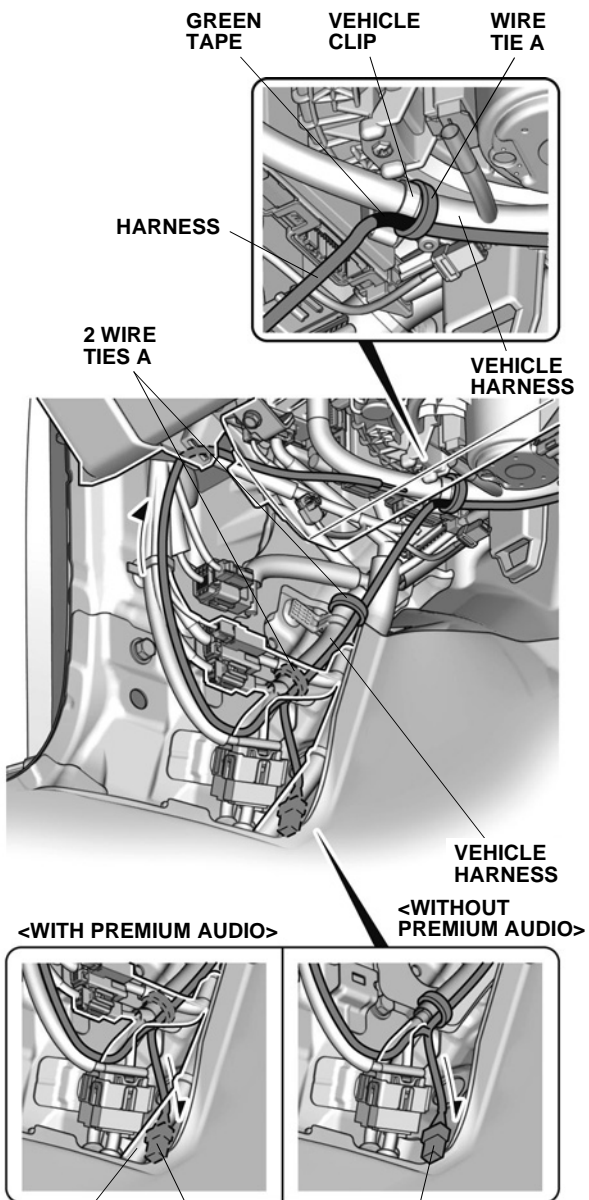
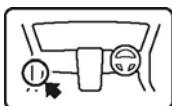


109. Route the harness.



QM52001AG

110. Secure the harness.



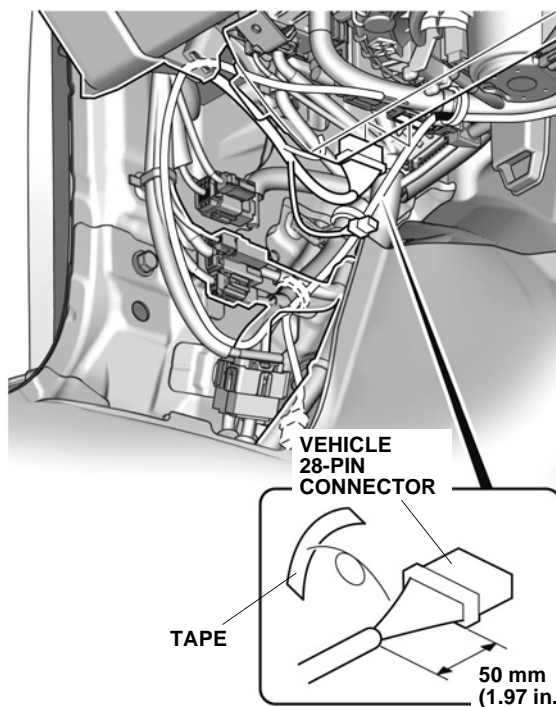
VEHICLE HARNESS HARNESS 4-PIN CONNECTOR HARNESS 4-PIN CONNECTOR QM80507BG

111. Disconnect the vehicle connector.

112. Cut the tape.

NOTICE

- Be careful not to damage the vehicle harness.

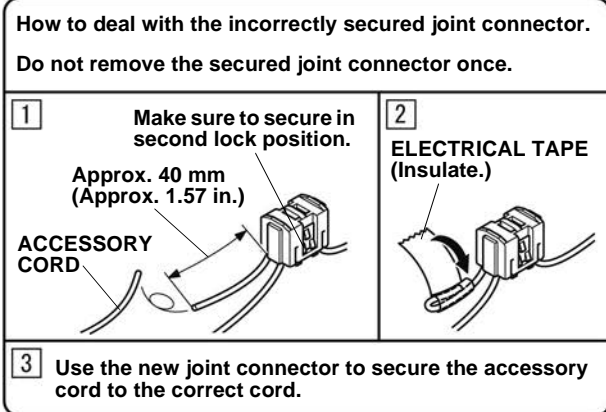
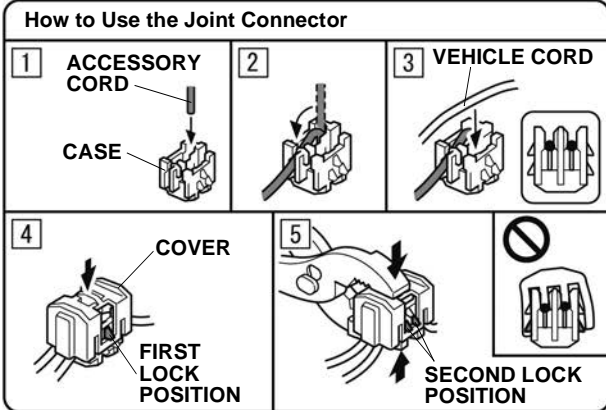
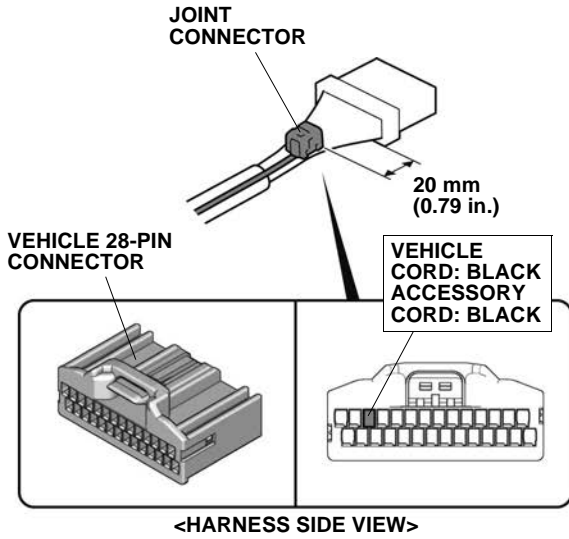


QM80508AG

113. Connect the harness cord.

NOTICE

- Make sure to correctly connect the cord.

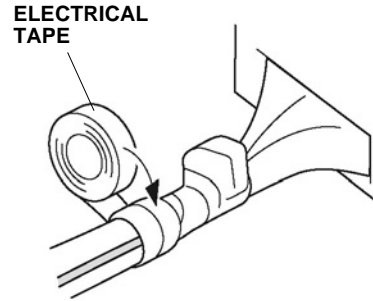


QM80308AG

114. Secure the harness cord.

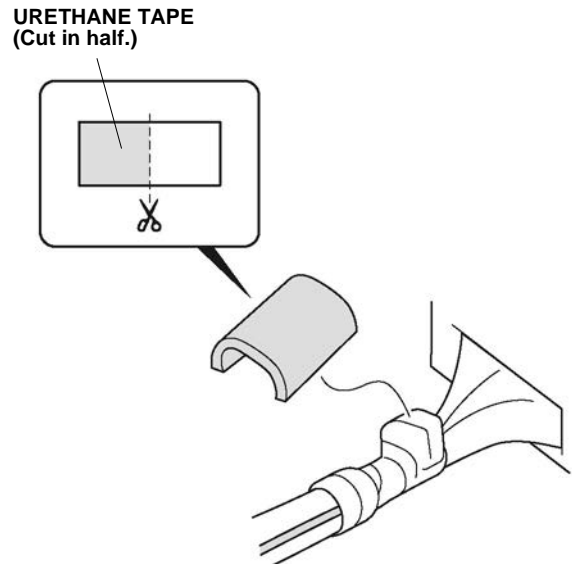
NOTICE

- Wrap the electrical tape around the tubes and tapes of the vehicle harness.



QG91822AB

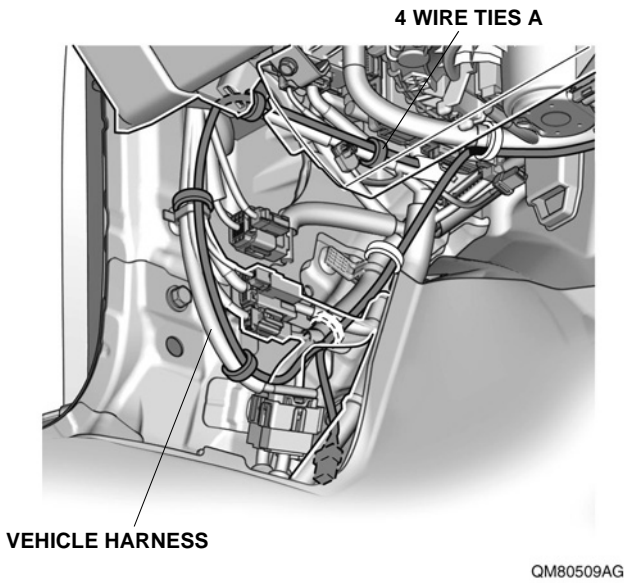
115. Attach the urethane tape.



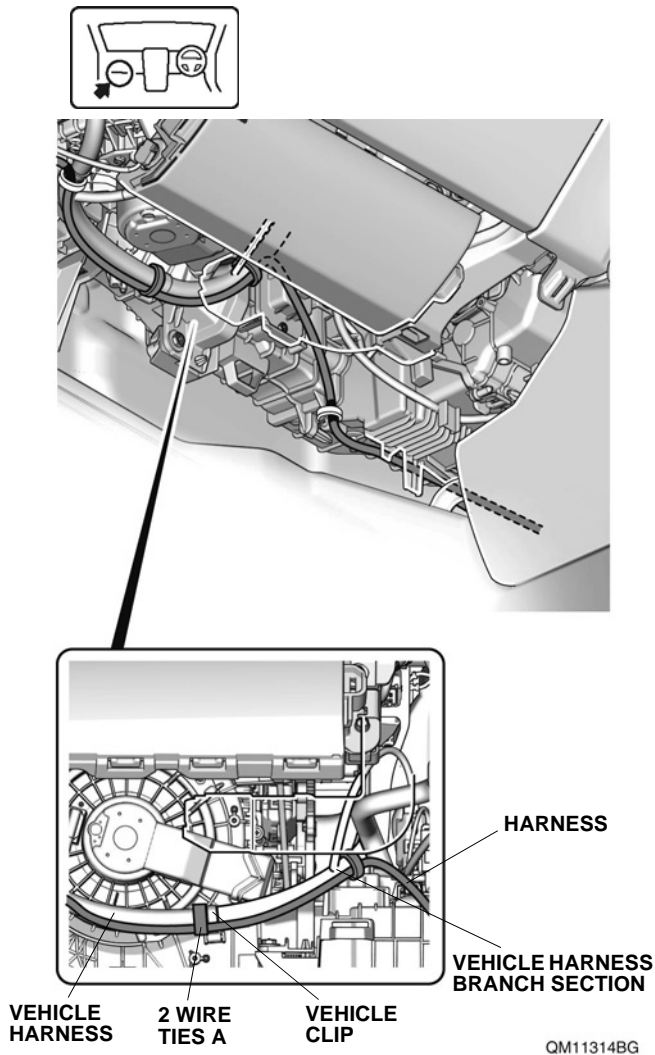
QGN1716AA

116. Reconnect the vehicle connector.

117. Secure the harness.

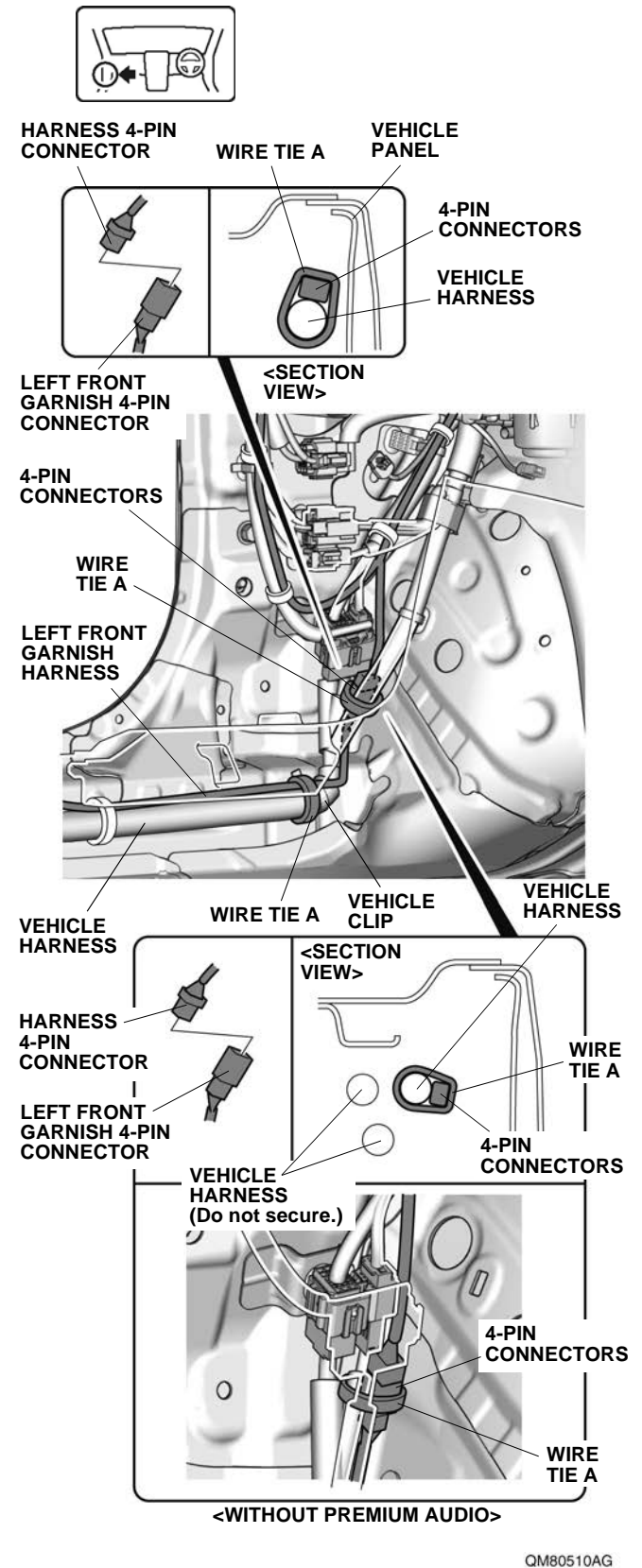


118. Secure the harness.

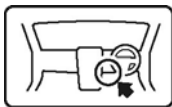


119. Connect the harness connector.

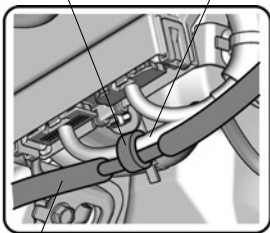
120. Secure the left front garnish harness and connectors.



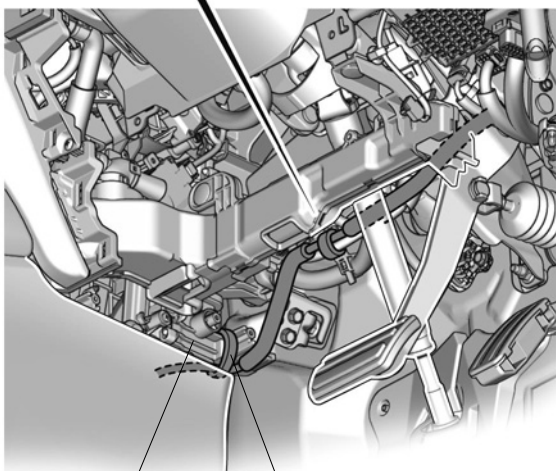
121. Secure the harness.



WIRE TIE A VEHICLE HARNESS



HARNESS

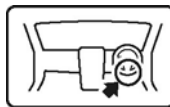


HEATER CONTROL UNIT

WIRE TIE A

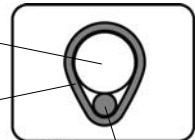
QM80511AG

122. Secure the harness.



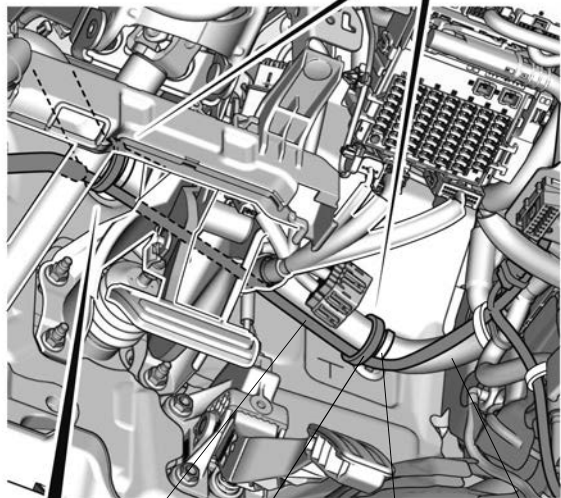
VEHICLE HARNESS

<SECTION VIEW>



WIRE TIE A

HARNESS

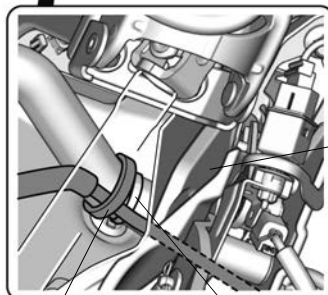


HARNESS

WIRE TIE A

VEHICLE CLIP

VEHICLE HARNESS



VEHICLE FRAME

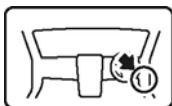
WIRE TIE A

VEHICLE CLIP

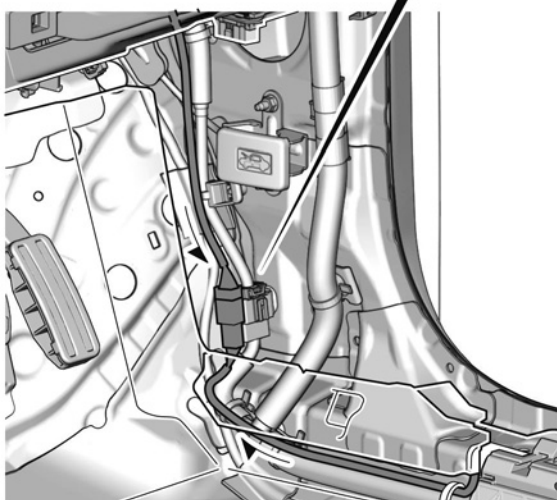
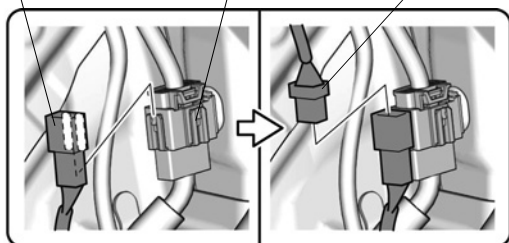
QM80512AG

123. Secure the right front garnish connector.

124. Connect the harness connector.

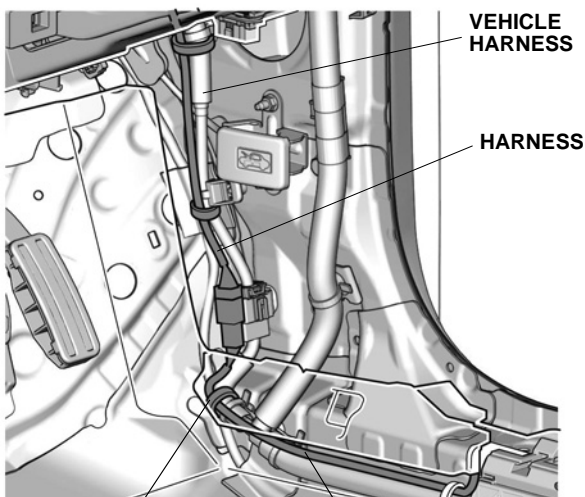


RIGHT FRONT GARNISH 4-PIN CONNECTOR **VEHICLE CONNECTORS** **HARNESS 4-PIN CONNECTOR**



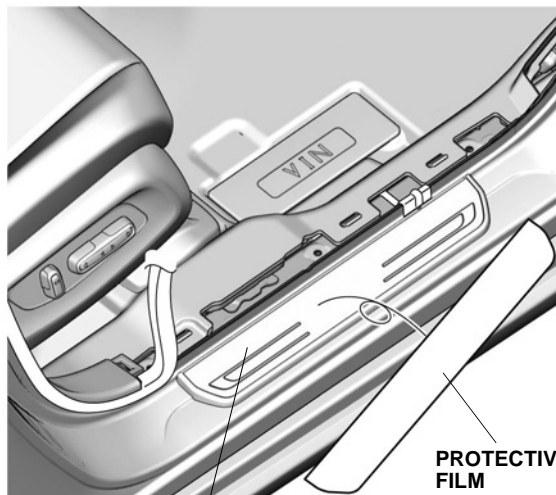
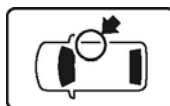
QM80513AG

125. Secure the harness and right front garnish harness.



3 WIRE TIES A **RIGHT FRONT GARNISH HARNESS** QM80514AG

126. Remove the protective film.

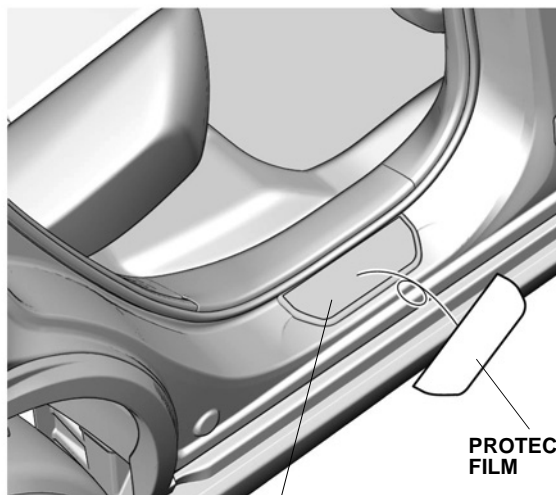
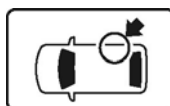


RIGHT FRONT GARNISH

PROTECTIVE FILM

QN30201AG

127. Remove the protective film.

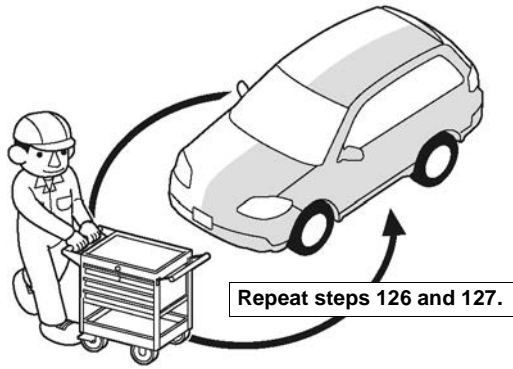


RIGHT REAR GARNISH

PROTECTIVE FILM

QN11608AB

128. Repeat the same procedures on the other side.



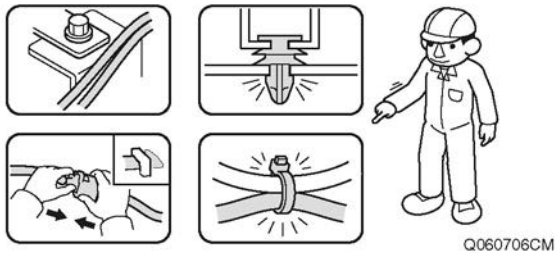
Q9D1013AM

Check After Installation

129. Check that all parts are routed and installed properly.

NOTICE

- Check that the harnesses are not pushed, not pulled and not pinched.
- Check that all clamps and wire ties are installed securely.



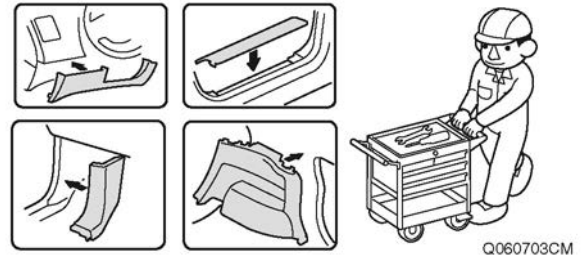
Q060706CM

Reinstalling the All Removed Parts

130. Reinstall all removed parts.

NOTICE

- Be extremely careful not to damage the vehicle parts, pinch the harnesses.
- Make sure to secure the retaining tabs and clips properly to avoid separation.



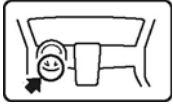
Q060703CM

<Installing the Driver's Knee Airbag>

131. Reinstall the driver's knee airbag.

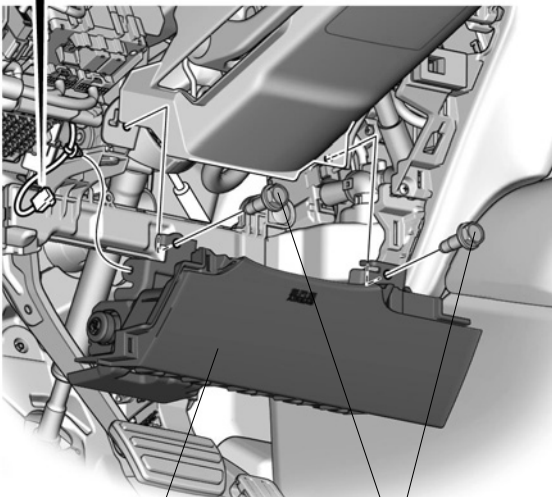
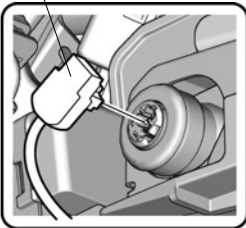
NOTICE

- Make sure to replace with the washer-bolts included in this kit.



<LHD models>

VEHICLE CONNECTOR

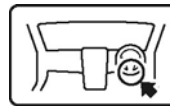


DRIVER'S KNEE AIRBAG

2 WASHER-BOLTS (supplied)

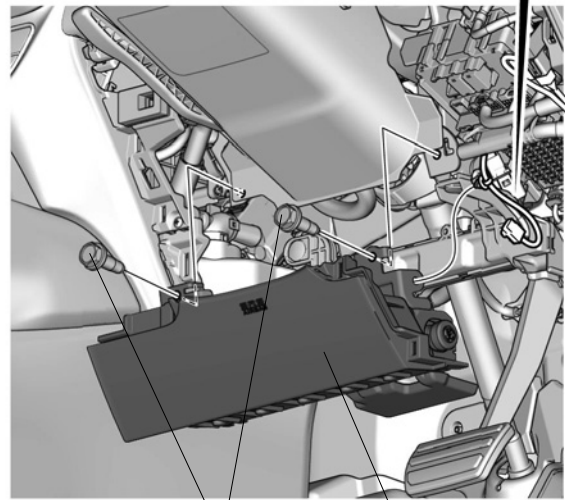
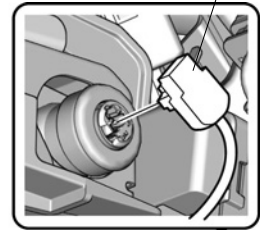
N·m 6.9-14.4 N·m
(0.8-1.4 kgf·m,
5.1-10 lbf·ft)

QM80316AG



<RHD models>

VEHICLE CONNECTOR



2 WASHER-BOLTS (supplied)

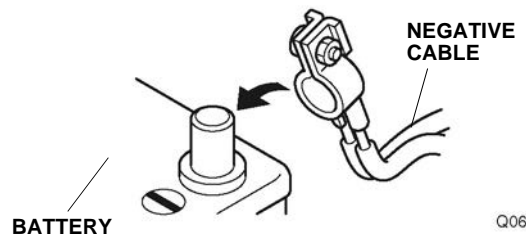
DRIVER'S KNEE AIRBAG

QM80515AG

N·m 6.9-14.4 N·m
(0.8-1.4 kgf·m,
5.1-10 lbf·ft)

Operation Check

132. Reconnect the negative cable to the battery.



BATTERY

NEGATIVE CABLE

Q060702BM

133. Turn the POWER button to ON; the SRS indicator should come on for about 6 seconds and then go off.

134. Check that the front garnishes come on like sequential light by opening a door.

Vehicle Check

135. Check that the electric accessories and systems operate properly.
136. Press and hold the audio power button for two seconds, or enter anti-theft code for the audio/navigation system.
137. Reset the memory of each equipment and restore the positions of those control knobs.

