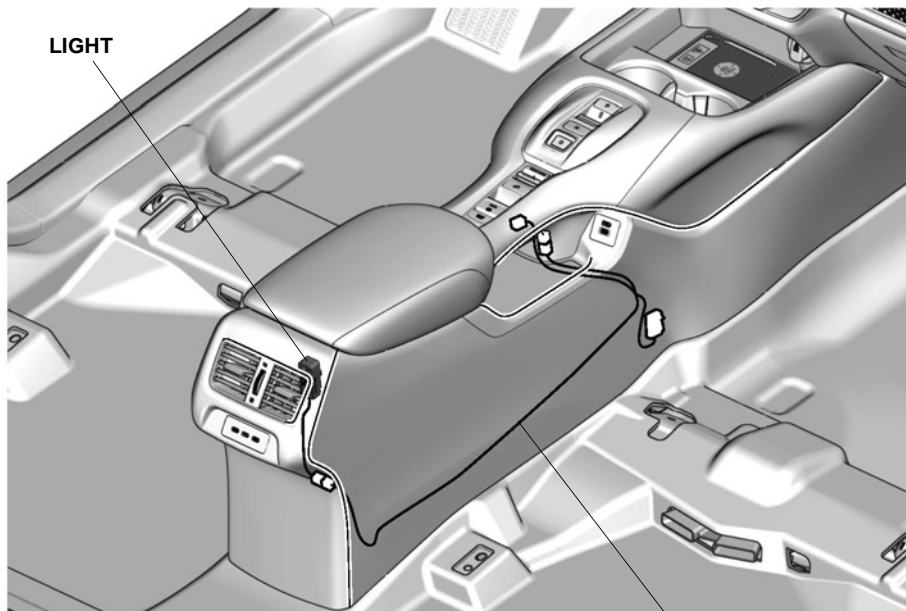


CENTER CONSOLE BOX ILLUMINATION

ZR-V

GENERAL VIEW

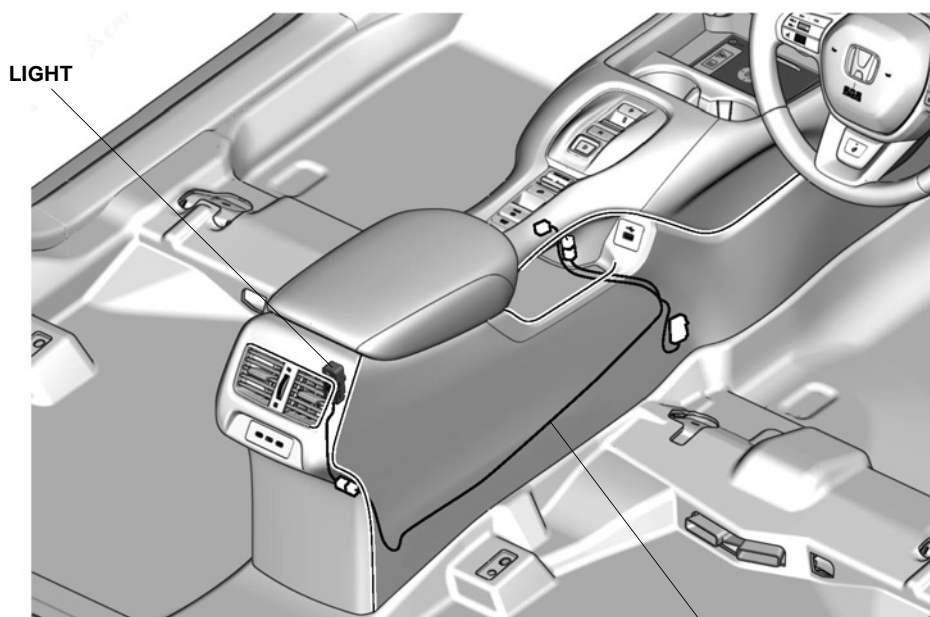
<LHD models>



QM80302AA

HARNESS

<RHD models>



QM80301AA

HARNESS

FOR YOUR SAFETY (Read carefully)

Introduction of Symbol Messages

- These symbols warn you about the possible hazards and explain how to avoid them. And give you some advices.



You will be killed or seriously hurt if you do not follow the instructions.



You can be killed or seriously hurt if you do not follow the instructions.



You can be hurt if you do not follow the instructions.



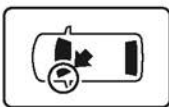
Gives advice to prevent damage to the product.
Gives helpful information or instructions to be followed in using the product.



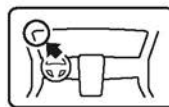
Indicates prohibited actions.

Introduction of Icons

- These icons indicate the working place and the worker's vision.



The place for the vehicle.



The place for the instrument panel.

- These icons indicate the necessary things for your safety and the work.



Wear eye protection.



Wear heavy gloves.



Work with an assistant.



Place the part on a blanket.



Remove any burrs.



Use the touch-up paint and dry.



Keep the parts and give it to the customer.
(Not use)



Press firmly.



Tighten by specified torque.

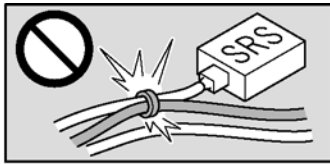


Work perpendicularly.

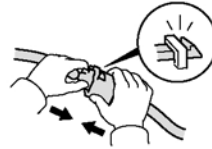


Clean with the contact cleaner.

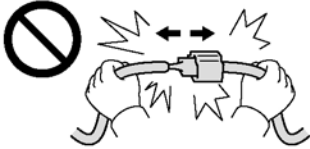
Wire Harness Routing Precaution



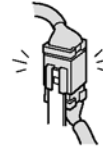
Do not clamp the accessory harness and SRS harness together. (except for instruction cases).



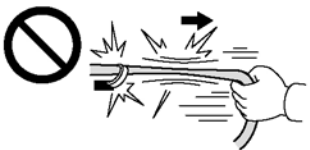
Connect the connectors and terminals securely until they lock.



Do not pull the harness to disconnect the connectors.



Reinstall the connectors to the original positions if they are removed.



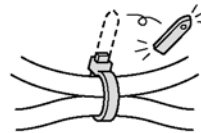
Do not pull the harness strongly.



Secure the accessory harness to the specified position, not to hang down.



Do not pinch the harness with the parts.



Cut off the excess of the wire ties.

Safety: General

- Observe all safety notes and precautions described in the Shop Manual in addition to those described in this Installation Instructions. Be extremely careful for your safety and safety of others particularly.
- Be careful not to damage the vehicle and the parts.
- Be extremely careful to the handling of the retaining tabs and clips particularly.
- Note the locations of the parts before removing them so that they can be reinstalled in their original positions properly.
- The illustrations may differ a little from the actual accessories for the design change of the vehicle.

Safety: For Electric Parts

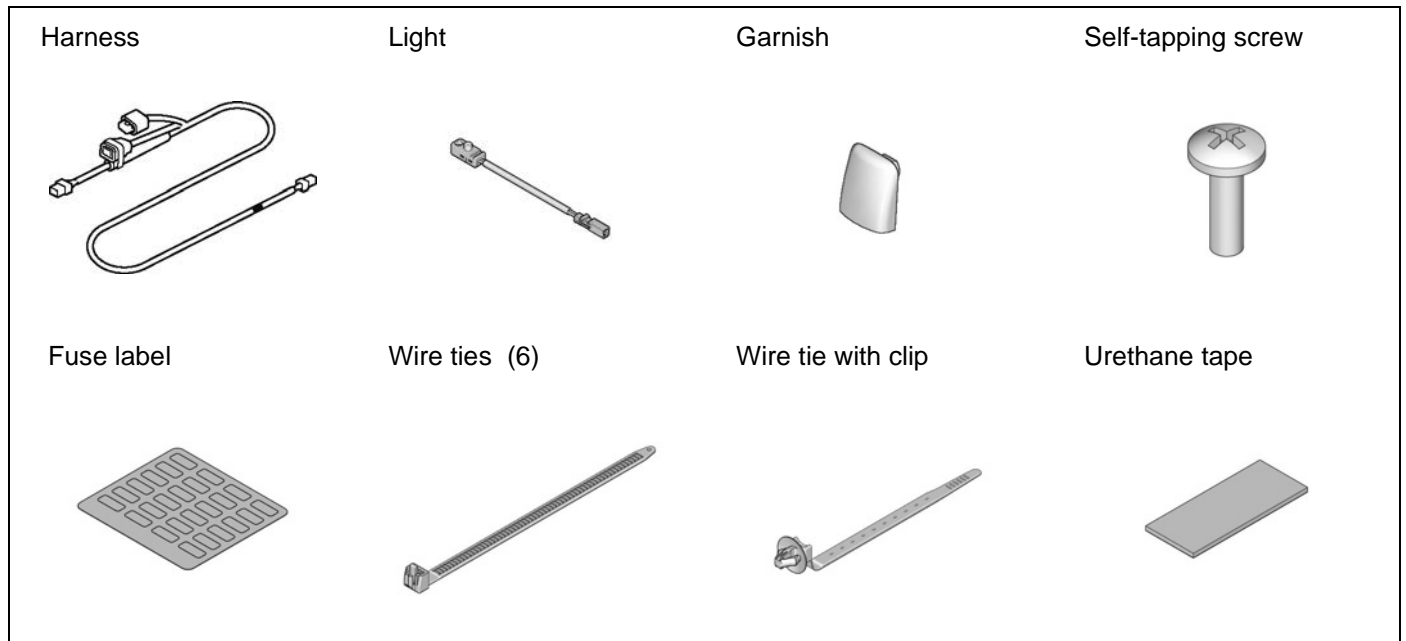
- Do not perform the installation of the accessories with having connected negative cable of the battery.

Safety: For the Accessory

- **Always use the parts and tools specified in the installation instructions.**
- **Do not perform installation work and attaching work at the place where gets the direct rays of the sun or the dust appears.**
- **Always install these accessories at the ambient air temperature 15°C (60°F) or above.**
- **Heat the accessories and bonding surfaces if the ambient air temperature is below 15°C (60°F).**
- **Attach the accessories by pressing it firmly with the palm of your hand. Be careful not to damage the accessories and the vehicle parts.**
- **Carefully place the double-sided adhesive tape on the proper position. Once the double-sided adhesive tape touches the surface, do not try to detach and relocate it. If you attempt to move after it touches the surface, you will damage the part before the adhesive will give way.**

PARTS LIST

Center Console Box Illumination Kit



TOOLS AND SUPPLIES REQUIRED

- Phillips screwdriver
- Contact cleaner
- Ratchet
- Tape
- Drill
- Eye protection (face shield, safety goggles, etc.)
- 10 mm Open end wrench
- Shop towel
- 10 mm Socket
- Ruler
- 3 mm, 6 mm, and 8 mm Drill bits
- Nippers
- Handy remover
- Scissors
- File
- Pushpin

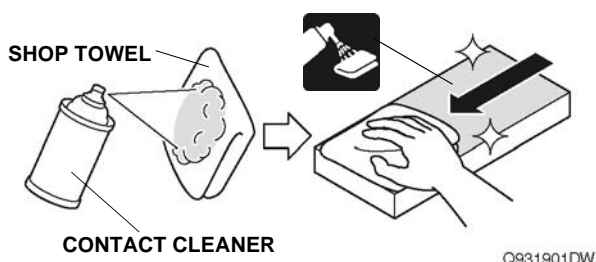
INSTALLATION

How to Use the Contact Cleaner

- Using contact cleaner on a shop towel, thoroughly clean the areas where the accessories will be attached.

NOTICE

- Always use the contact cleaner.
- Do not apply the cleaner to the object of the work directly.
- Allow to dry completely the cleaned areas before attachment work.

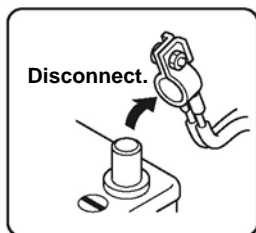
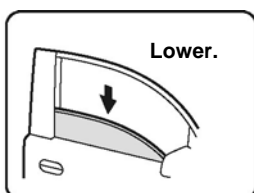


Disconnecting the Battery Cable

- Perform the works before disconnecting the negative cable from the battery as shown below.
- Make sure if you have the anti-theft code for the audio/navigation system. Record some settings of the vehicle if necessary.
- Disconnect the negative cable from the battery.

NOTICE

- With the driver's door open, turn the vehicle to the OFF (LOCK) mode, then wait at least 3 minutes before disconnecting the 12 volt negative battery cable.



QCD0502BM

- Follow the below guidance.

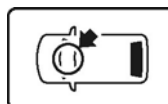
• LHD models	To step 5
• RHD models	To step 47

Removing the Vehicle Parts (LHD)

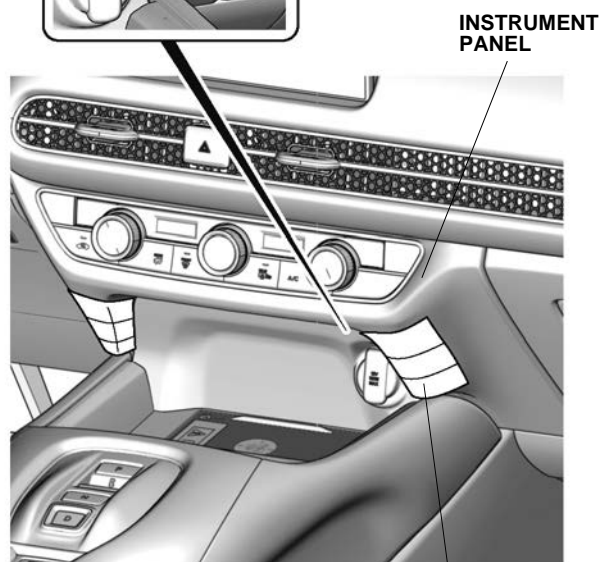
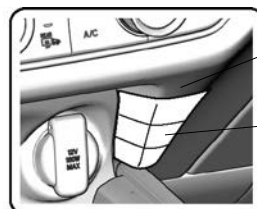
- Attach the tapes to protect the vehicle.

NOTICE

- Do not remove the tapes until after the reinstallation.

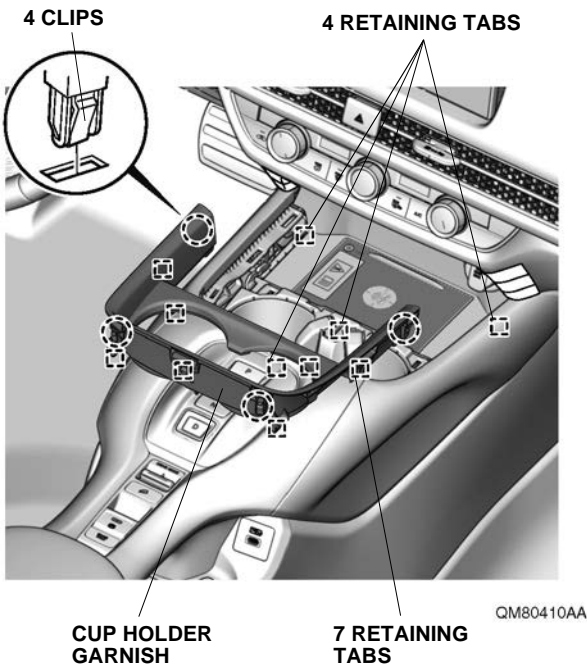


<OPPOSITE SIDE VIEW>

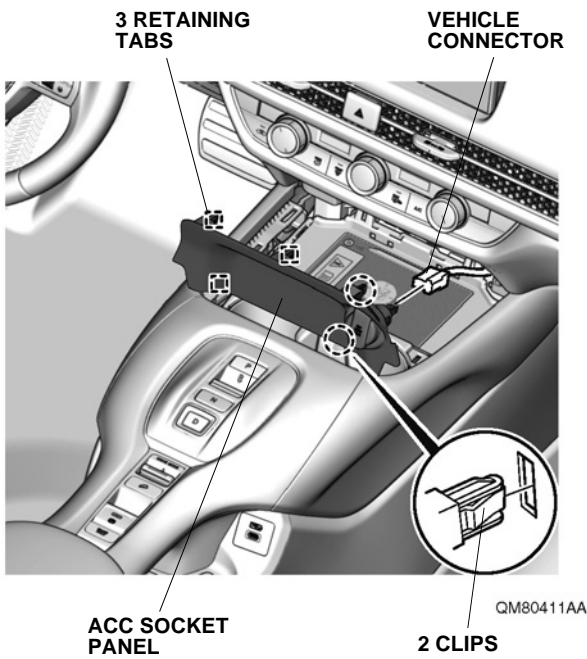


QM80409AA

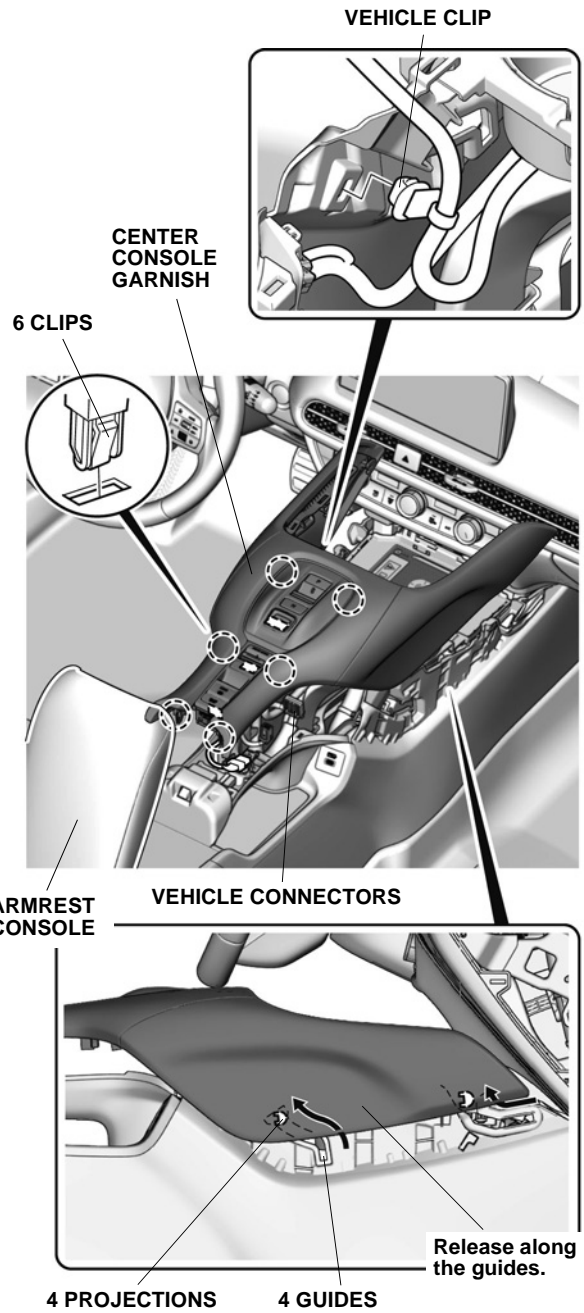
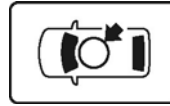
- Remove the cup holder garnish.



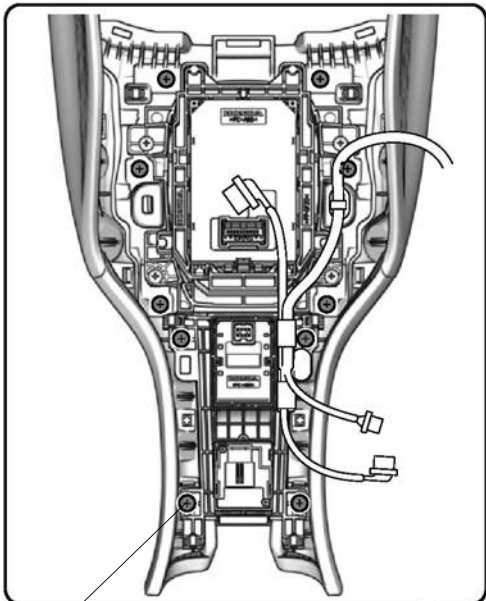
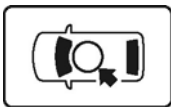
- Remove the ACC socket panel.



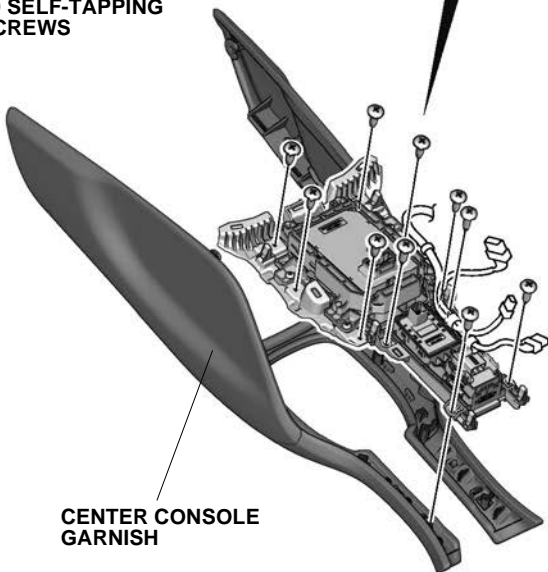
- Open the armrest console.
- Release the center console garnish.



10. Remove the center console garnish.



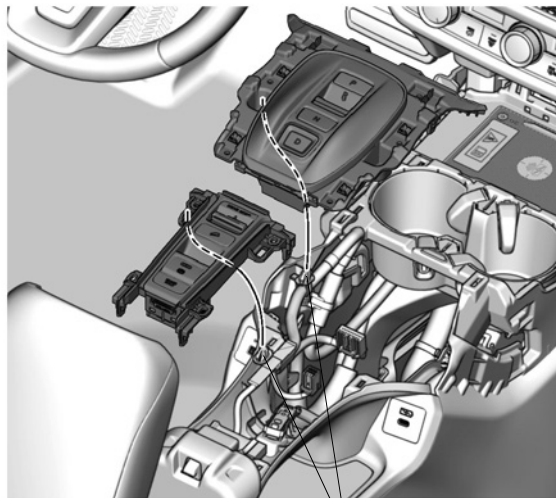
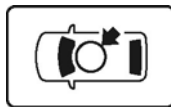
10 SELF-TAPPING
SCREWS



CENTER CONSOLE
GARNISH

QM80413AA

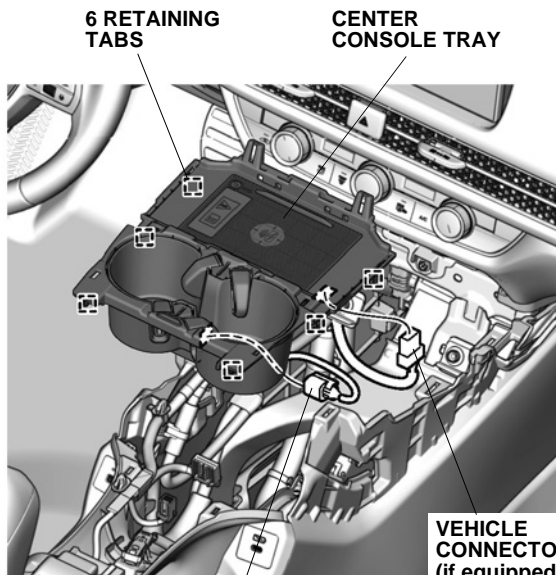
11. Release the vehicle clips.



2 VEHICLE CLIPS

QM80414AA

12. Remove the center console tray.



6 RETAINING
TABS

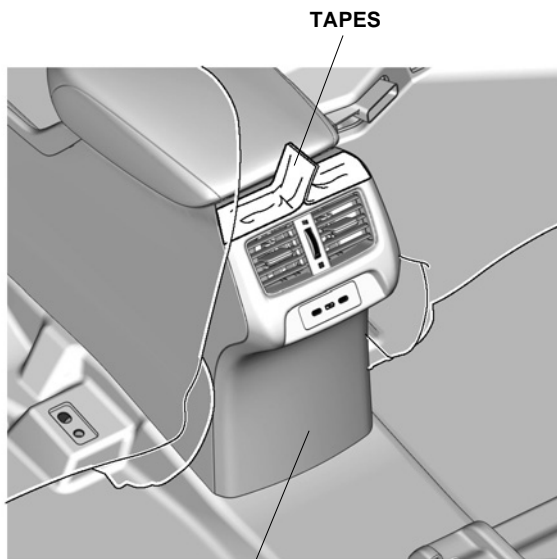
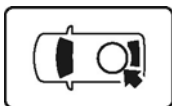
CENTER
CONSOLE TRAY

VEHICLE
CONNECTOR
(if equipped)

VEHICLE
CONNECTOR

QM80415AA

- 13. Close the armrest console.
- 14. Attach the tapes.



REAR CONSOLE GARNISH

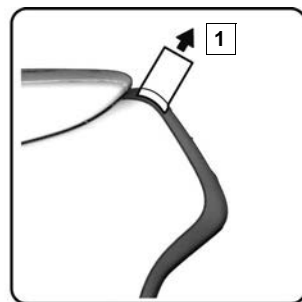
QM51305AA

- 15. Follow the below guidance.

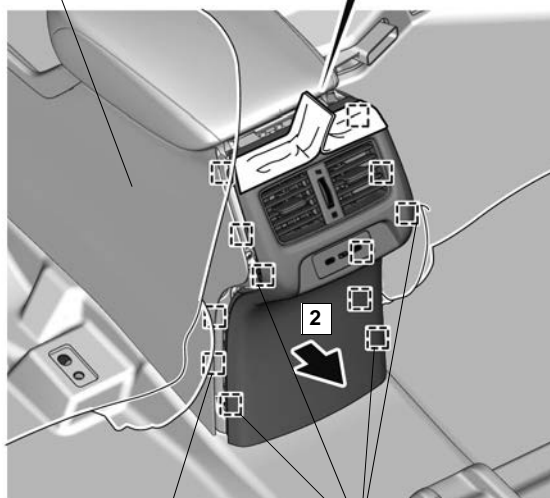
• With rear USB charger	To step 16
• Without rear USB charger	To step 23

- 16. Release the rear console garnish.

NOTICE
• Release in the order shown.



CENTER CONSOLE



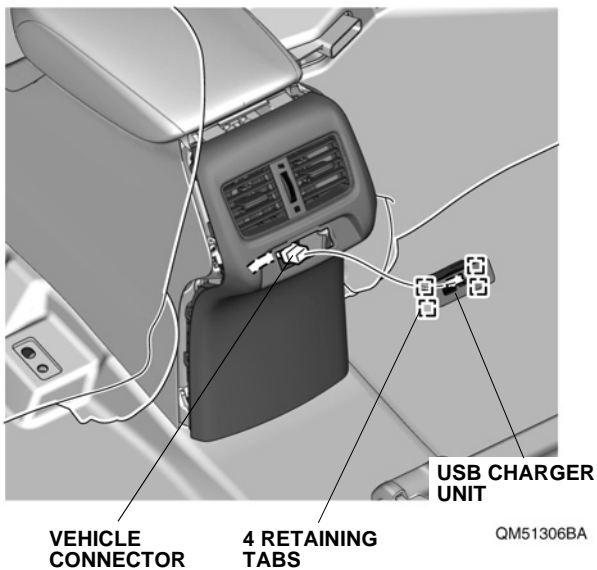
8 RETAINING TABS

4 RETAINING TABS

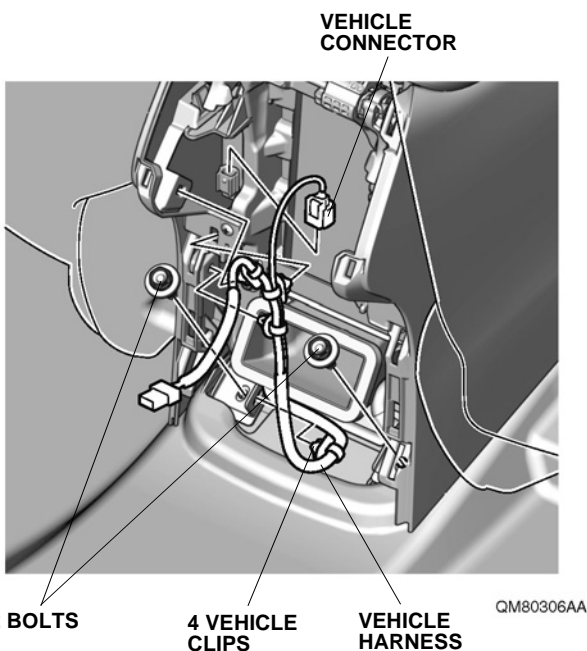
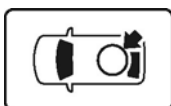
QM20207CB

- 17. Remove the tapes.

18. Remove the USB charger unit.



- 19. Remove the rear console garnish.
- 20. Disconnect the vehicle connector.
- 21. Release the vehicle harness.
- 22. Remove the bolts.

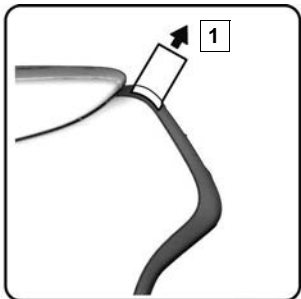


To step 28

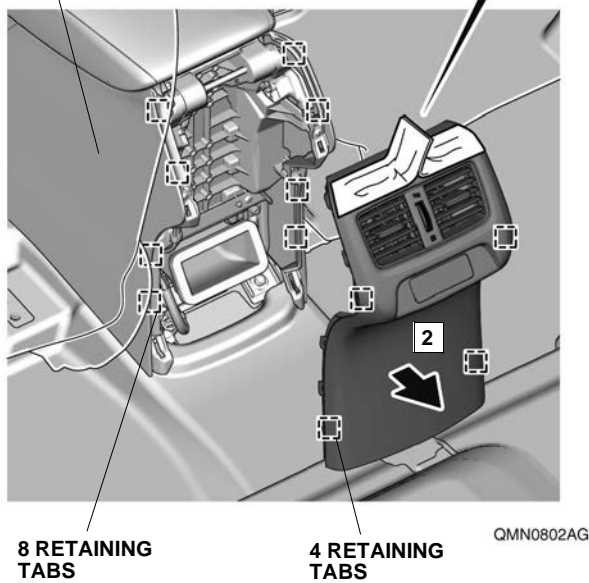
23. Remove the rear console garnish.

NOTICE

- Remove in the order shown.

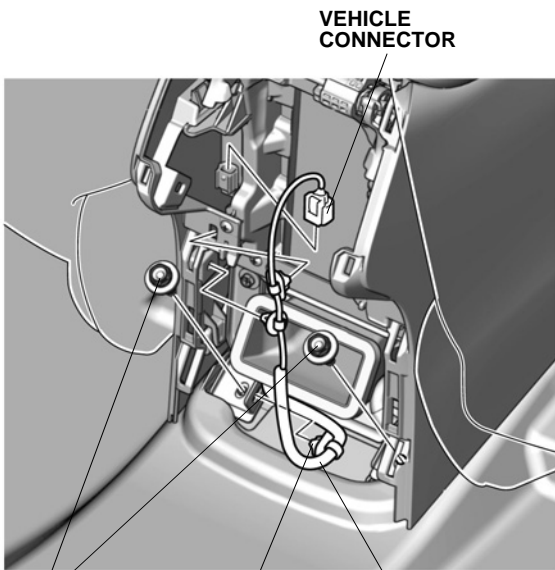
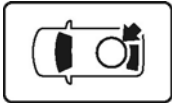


CENTER CONSOLE



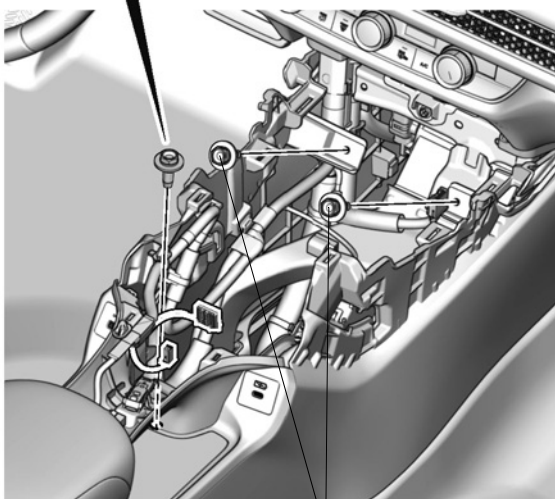
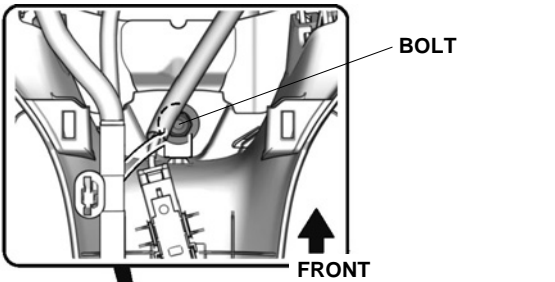
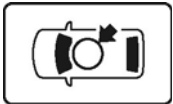
24. Remove the tapes.

- 25. Disconnect the vehicle connector.
- 26. Release the vehicle harness.
- 27. Remove the bolts.



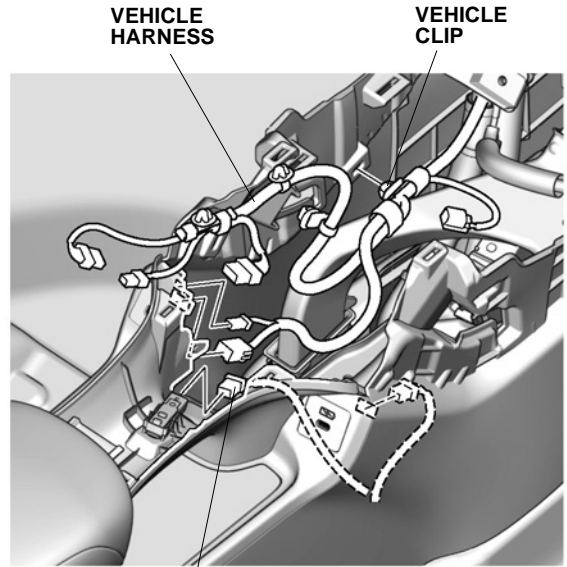
2 BOLTS 3 VEHICLE CLIPS VEHICLE HARNESS QMN0803AG

- 28. Remove the bolts.



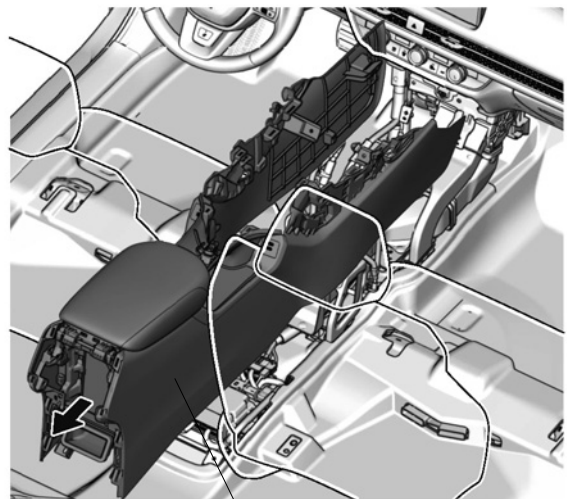
2 BOLTS QM80416AA

- 29. Release the vehicle harness.
- 30. Disconnect the vehicle connectors.



VEHICLE CONNECTORS QM80417AA

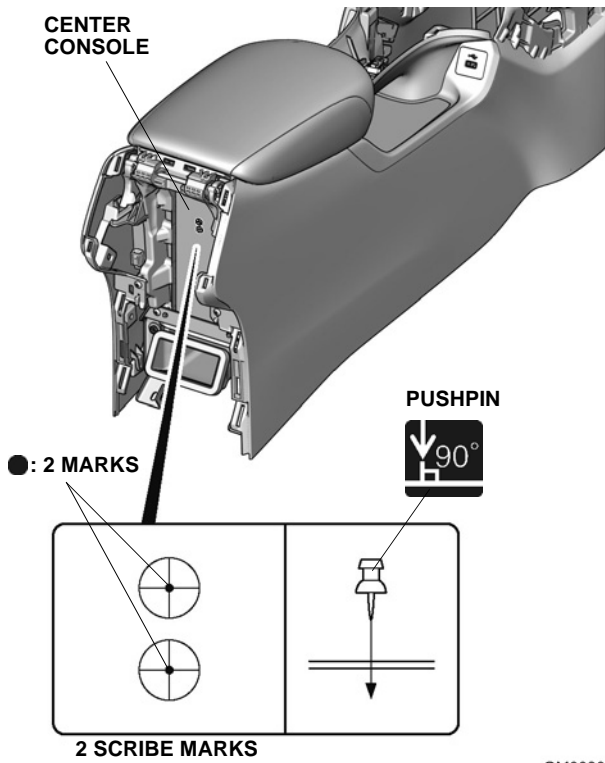
- 31. Remove the center console.



CENTER CONSOLE QM80418AA

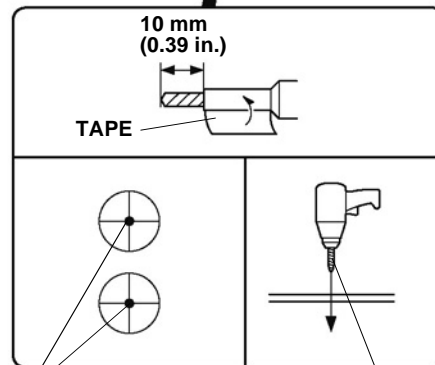
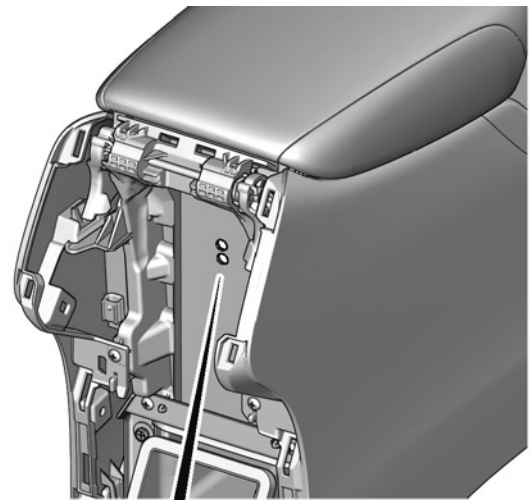
Installing the Light (LHD)

32. Pierce the center console.



QM80308AA

33. Drill the center console.

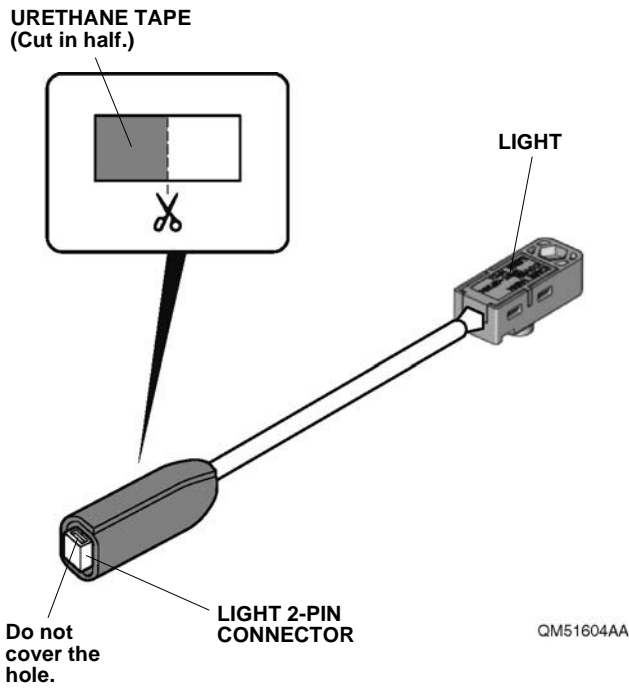


DRILL BITS
3 mm →
6 mm →
8 mm

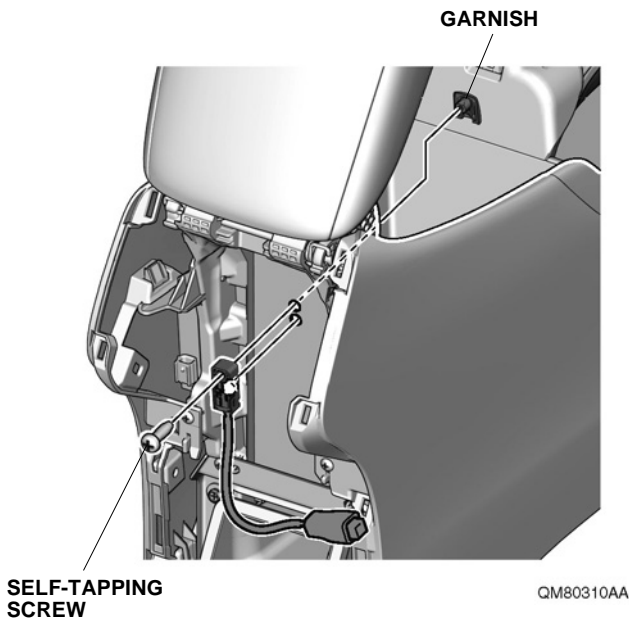
QM80309AA



34. Attach the urethane tape.

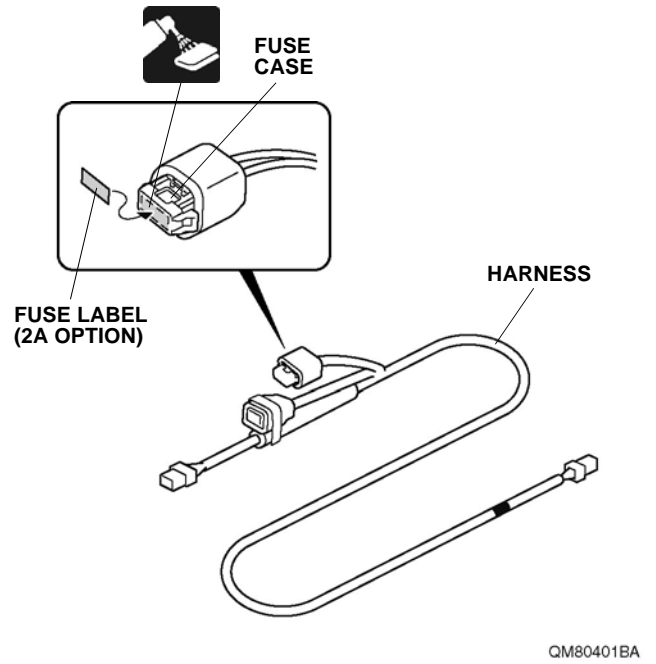


35. Install the light and garnish.

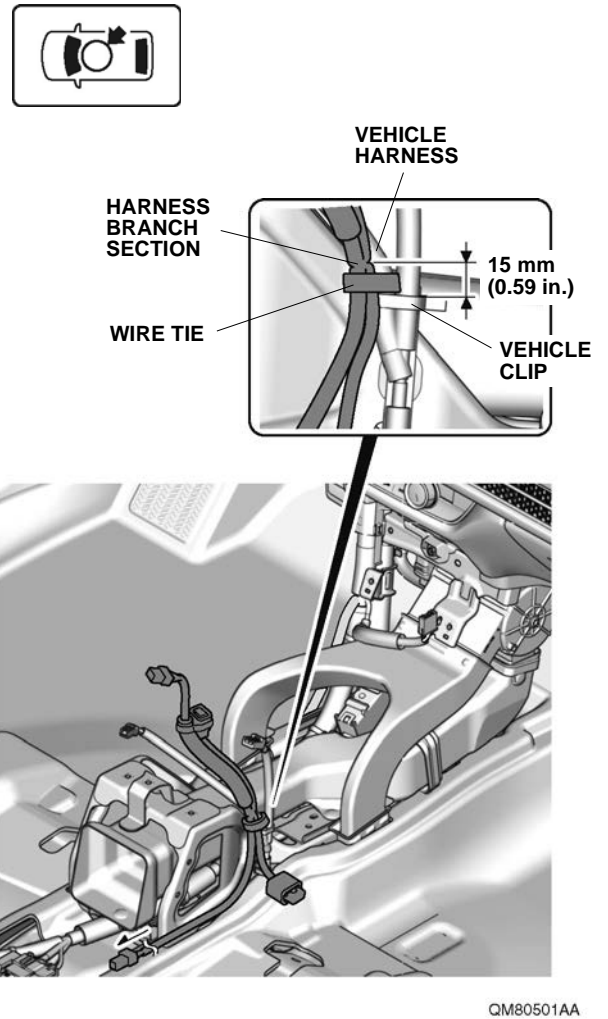


Routing the Harness (LHD)

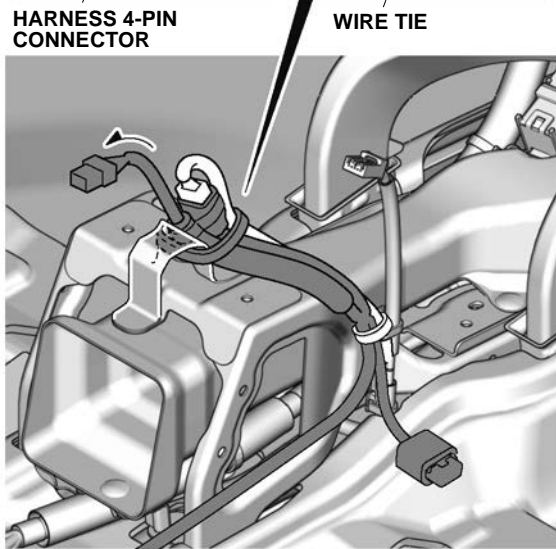
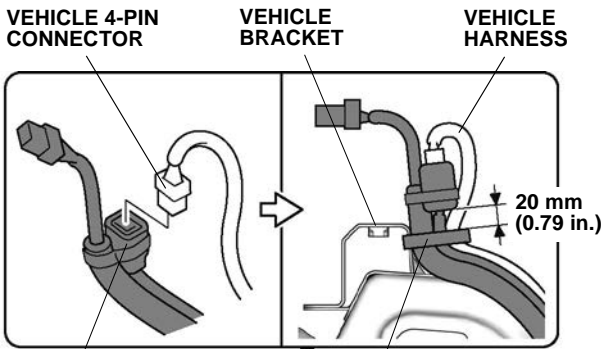
36. Attach the fuse label.



37. Secure the harness.

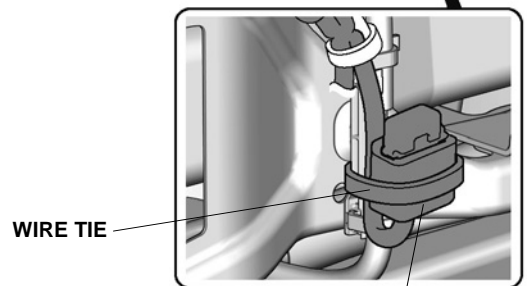
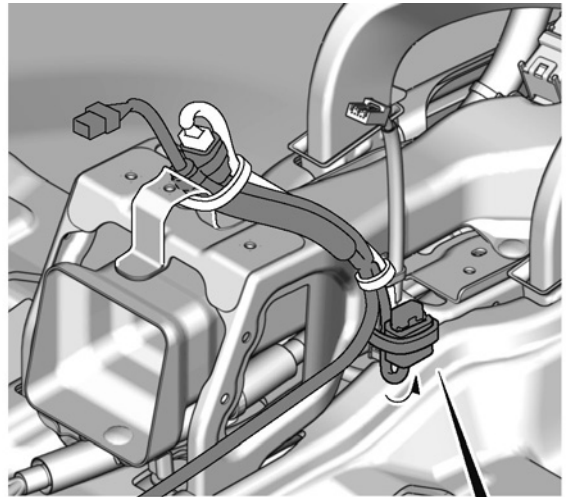


- 38. Connect the vehicle connector.
- 39. Secure the harness and vehicle harness.



QM80502AA

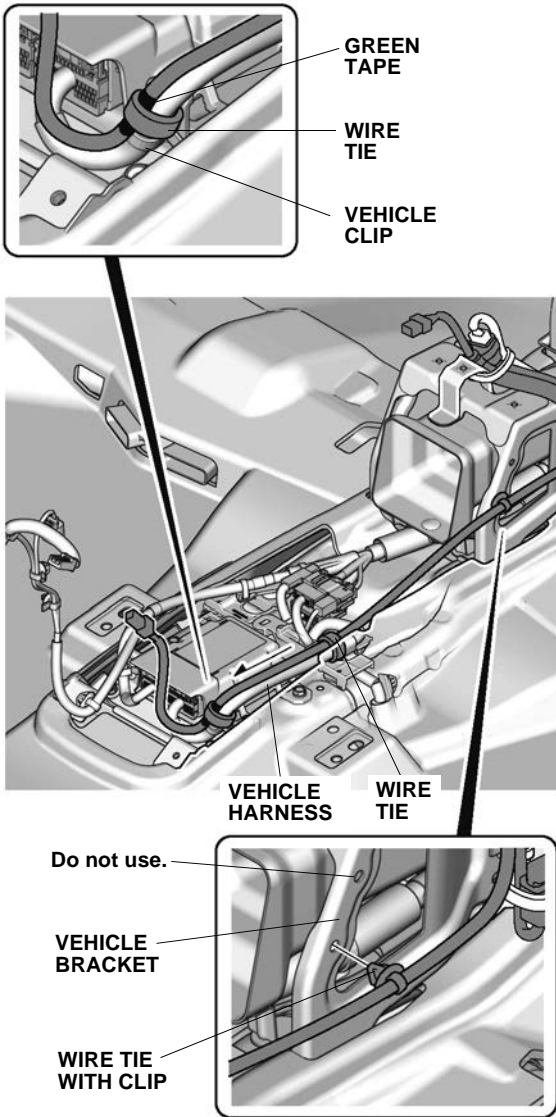
- 40. Secure the harness and fuse case.



QM80503AA

FUSE CASE

41. Secure the harness.

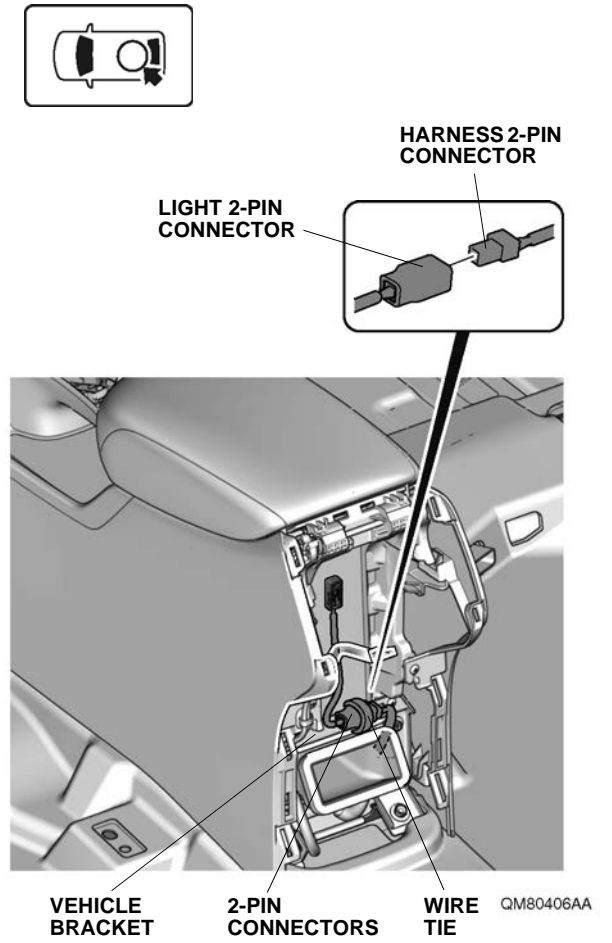


QM20305BA

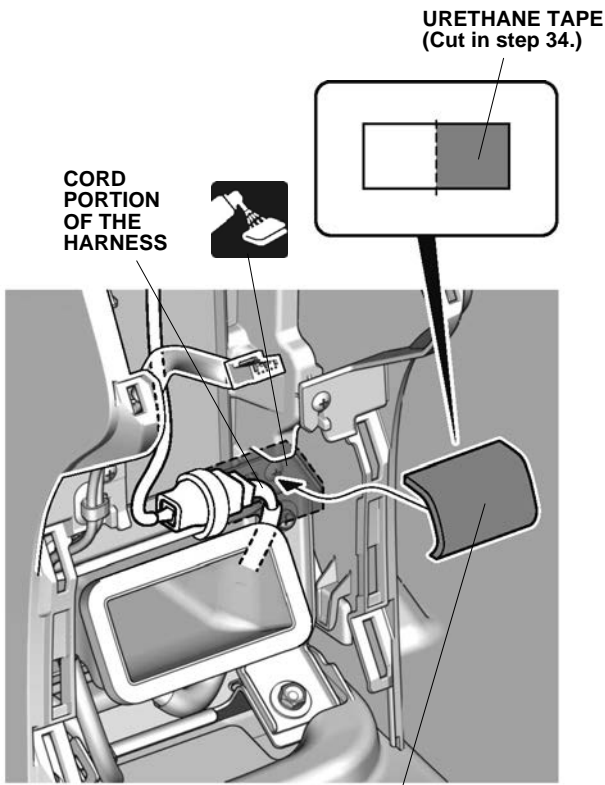
42. Reinstall the center console.

43. Connect the harness connector.

44. Secure the connectors.



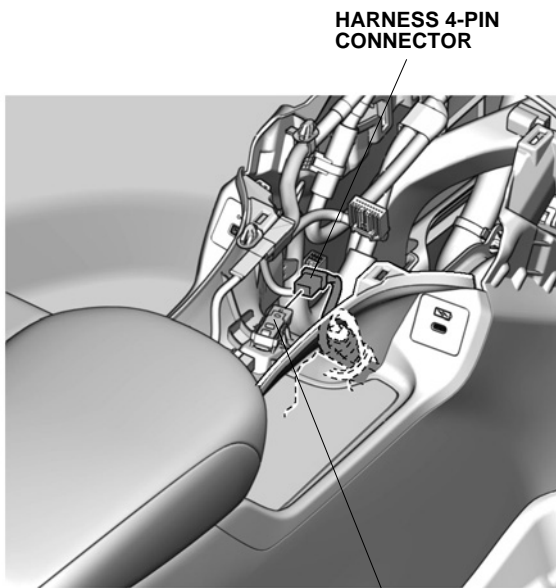
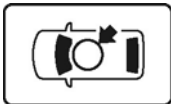
45. Attach the urethane tape.



QM80407AA

Attach the urethane tape to prevent contact between the cord portion of the harness and vehicle bracket.

46. Connect the harness connector.



QM80505AA

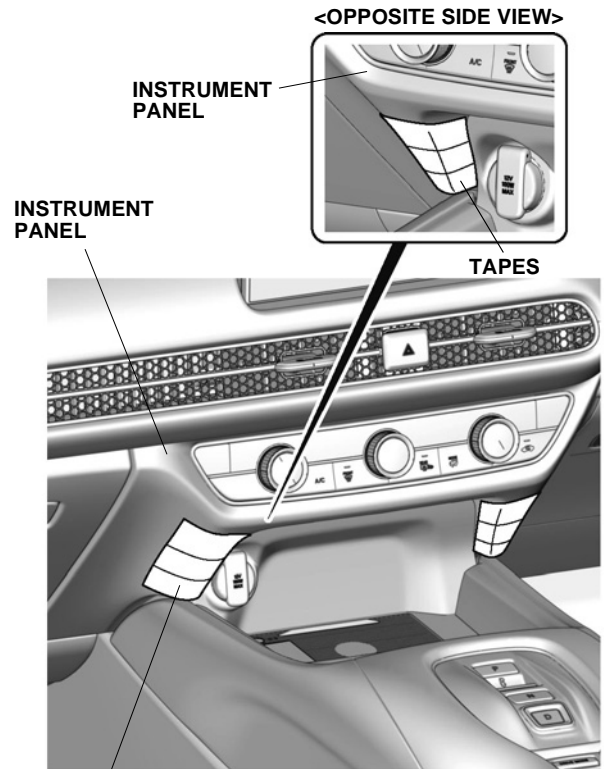
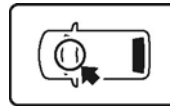
To step 89

Removing the Vehicle Parts (RHD)

47. Attach the tapes to protect the vehicle.

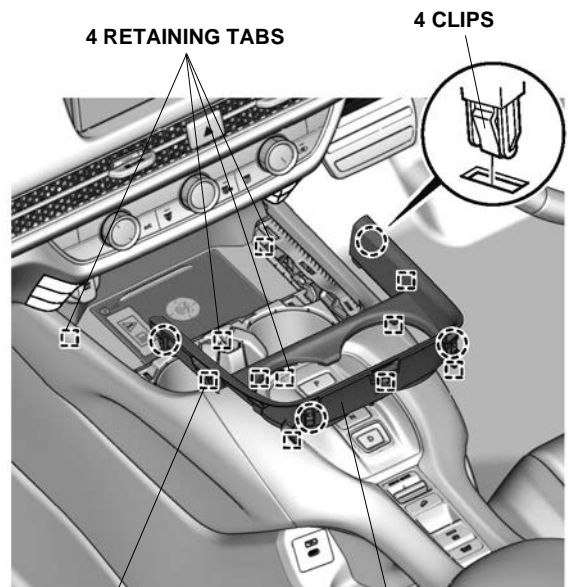
NOTICE

- Do not remove the tapes until after the reinstallation.



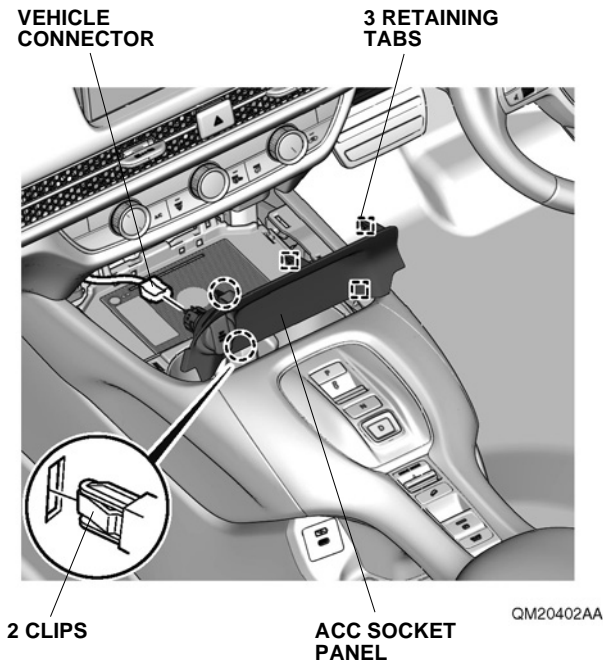
QM51602AA

48. Remove the cup holder garnish.



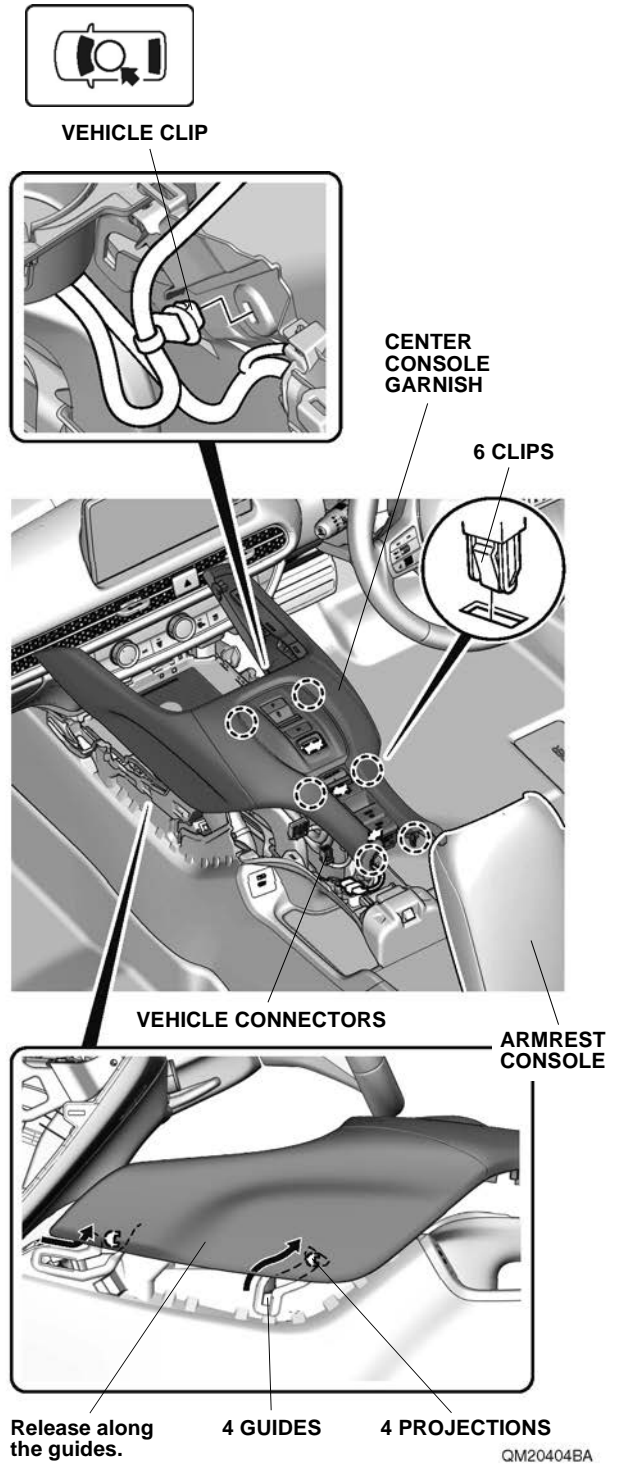
QM80303AA

49. Remove the ACC socket panel.

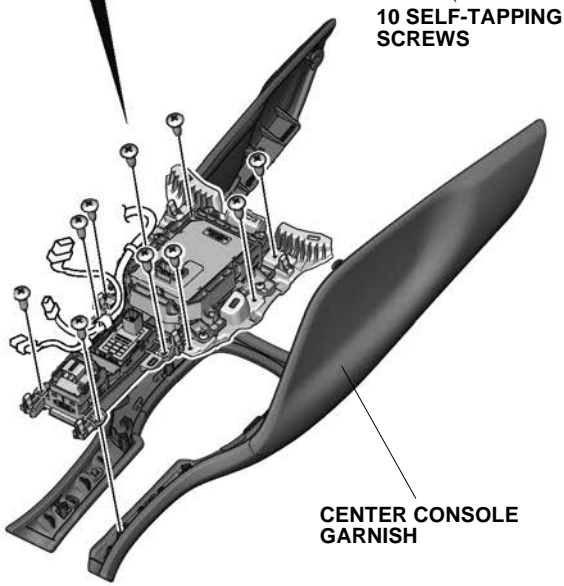
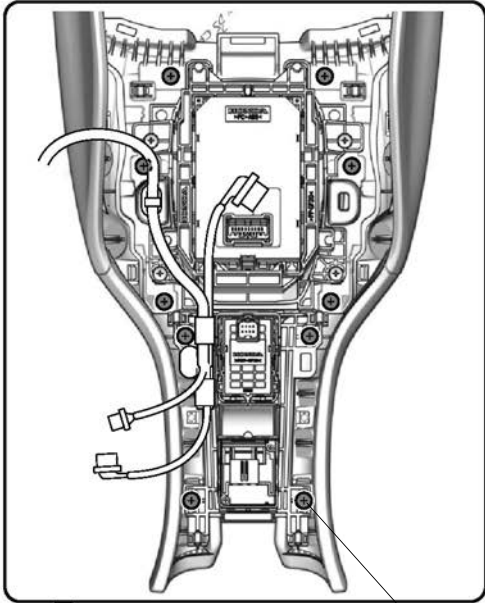
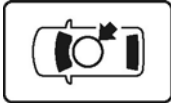


50. Open the armrest console.

51. Release the center console garnish.

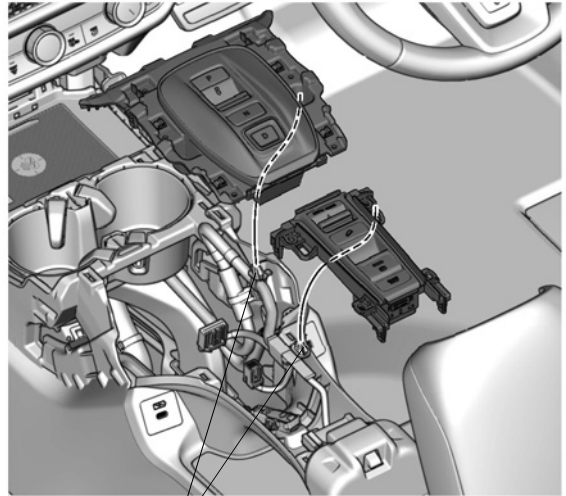


52. Remove the center console garnish.



QM80304AA

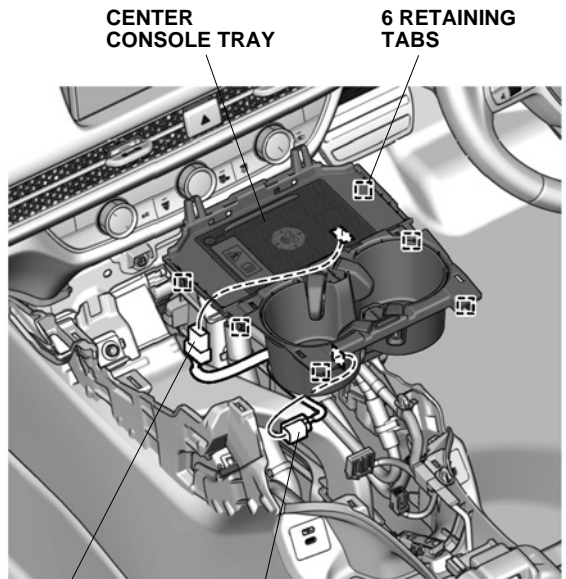
53. Release the vehicle clips.



2 VEHICLE CLIPS

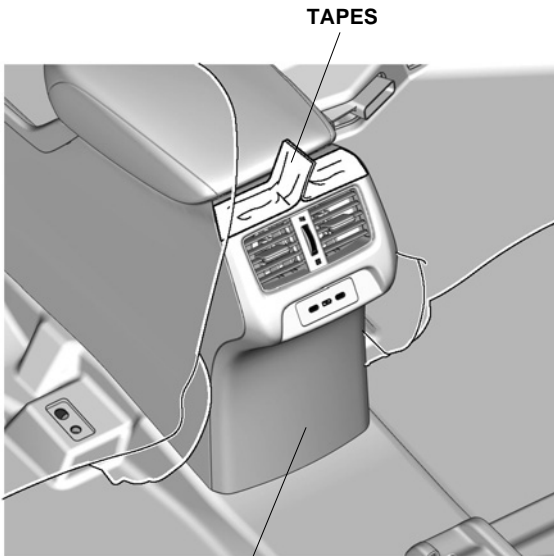
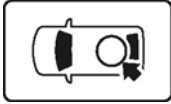
QM80305AA

54. Remove the center console tray.



QM80311AA

- 55. Close the armrest console.
- 56. Attach the tapes.



REAR CONSOLE GARNISH

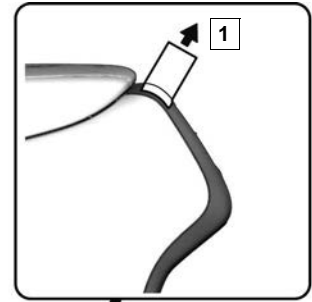
QM51305AA

- 57. Follow the below guidance.

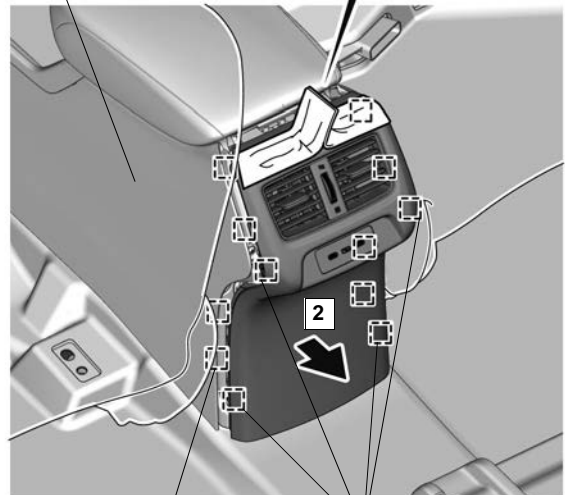
- | | |
|----------------------------|------------|
| • With rear USB charger | To step 58 |
| • Without rear USB charger | To step 65 |

- 58. Release the rear console garnish.

NOTICE
• Release in the order shown.



CENTER CONSOLE



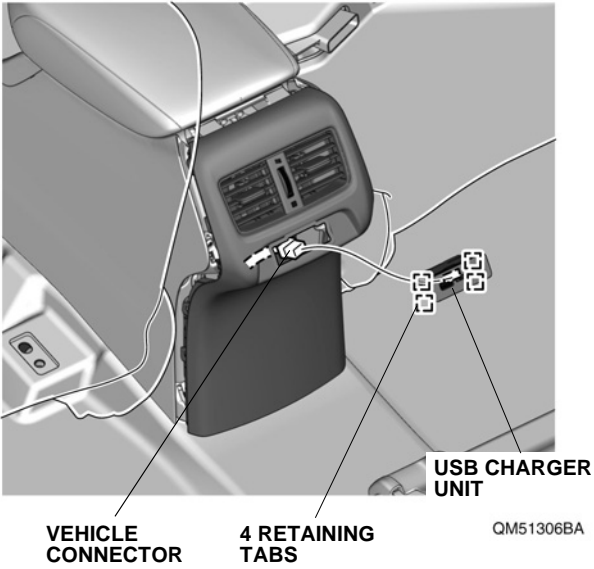
8 RETAINING TABS

4 RETAINING TABS

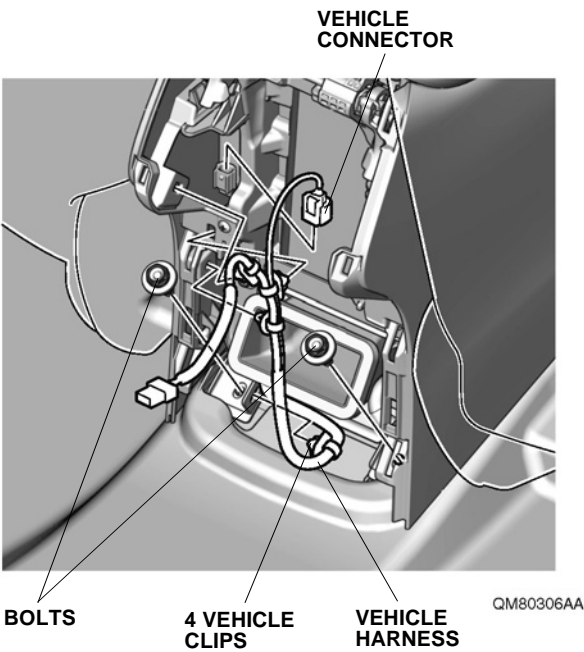
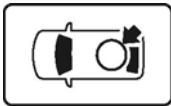
QM20207CB

- 59. Remove the tapes.

60. Remove the USB charger unit.



- 61. Remove the rear console garnish.
- 62. Disconnect the vehicle connector.
- 63. Release the vehicle harness.
- 64. Remove the bolts.

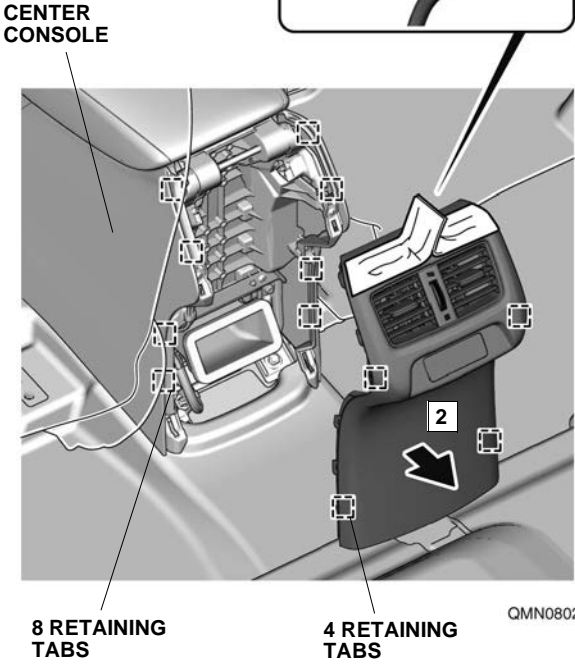
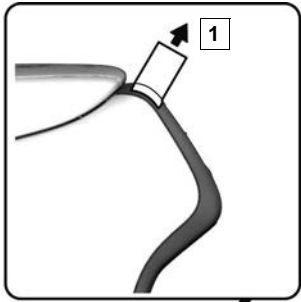


To step 70

65. Remove the rear console garnish.

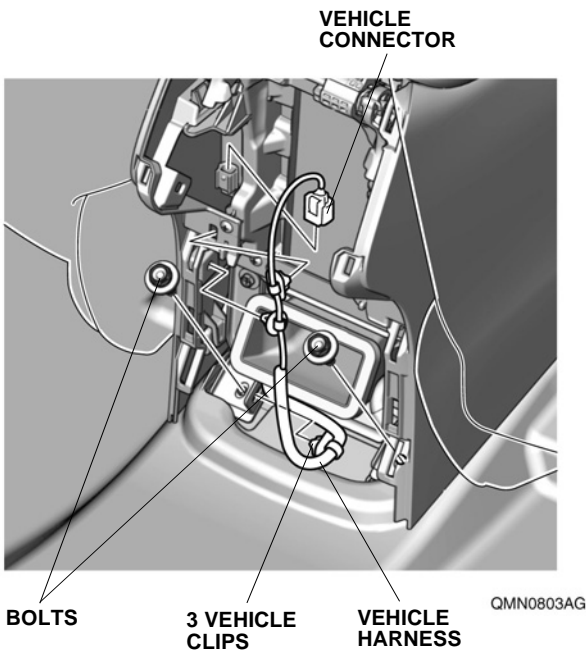
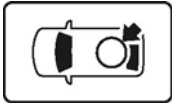
NOTICE

- Remove in the order shown.

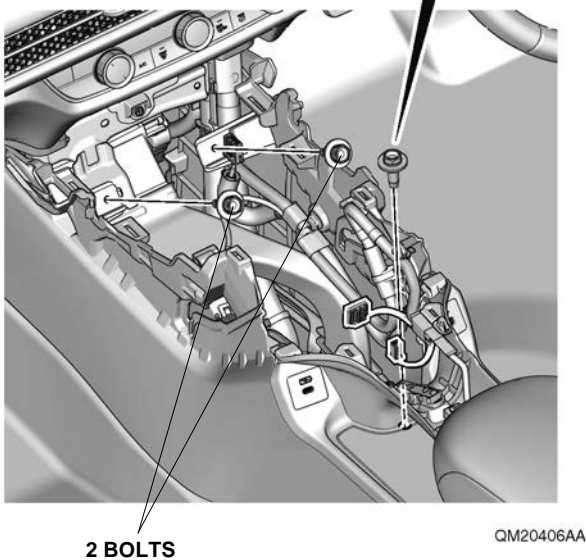
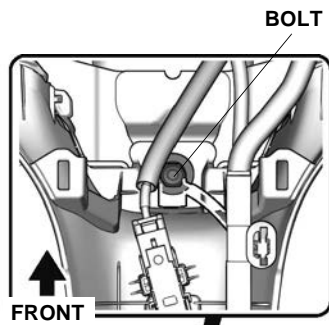


66. Remove the tapes.

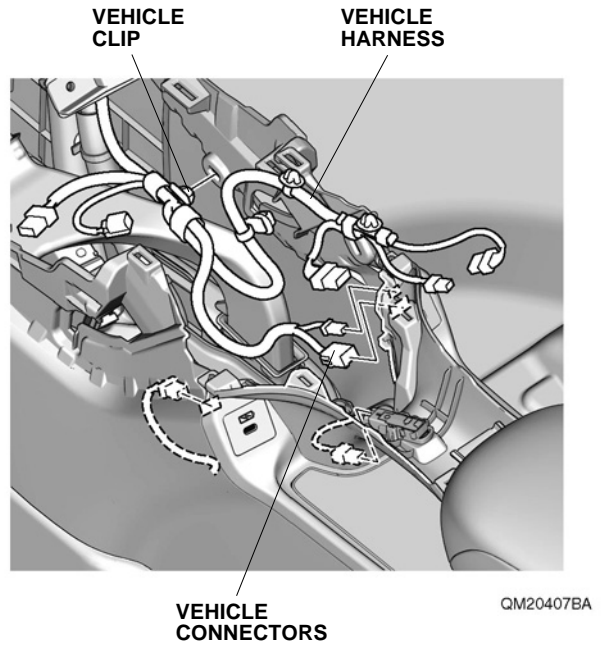
- 67. Disconnect the vehicle connector.
- 68. Release the vehicle harness.
- 69. Remove the bolts.



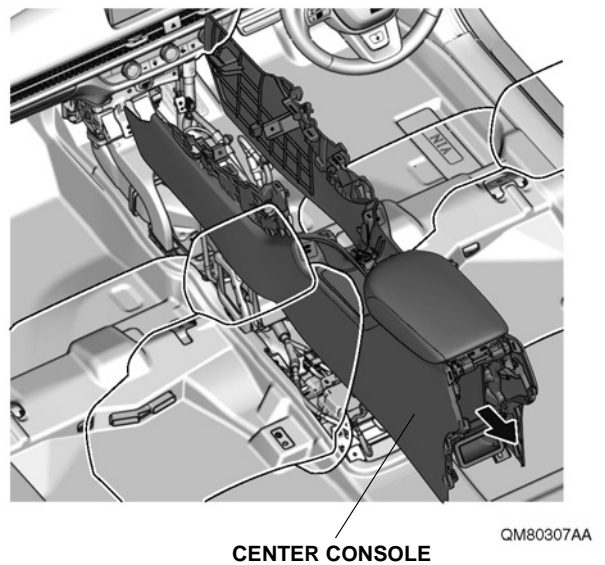
- 70. Remove the bolts.



- 71. Release the vehicle harness.
- 72. Disconnect the vehicle connectors.

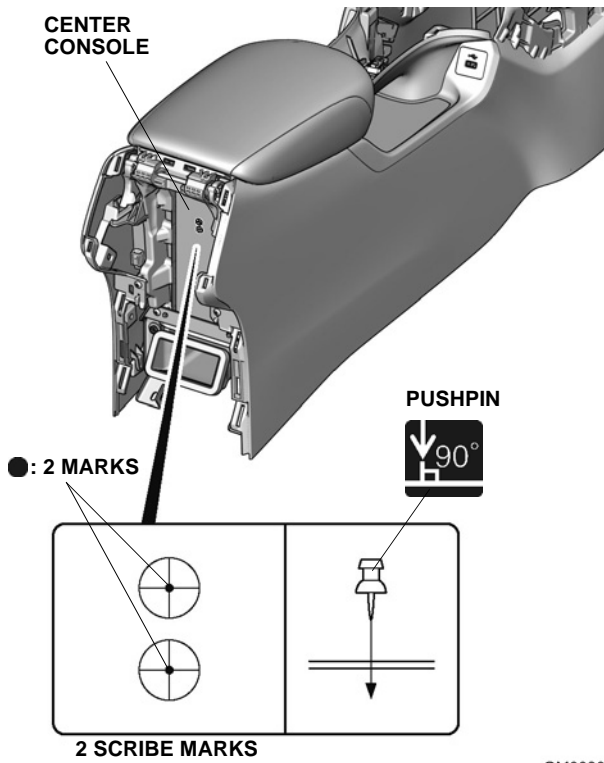


- 73. Remove the center console.



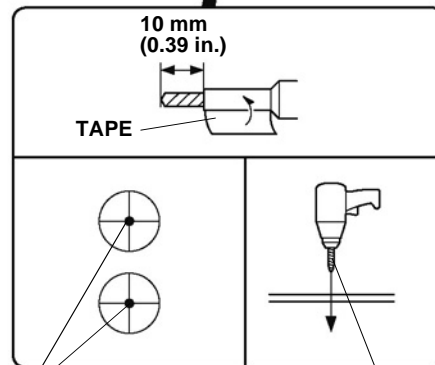
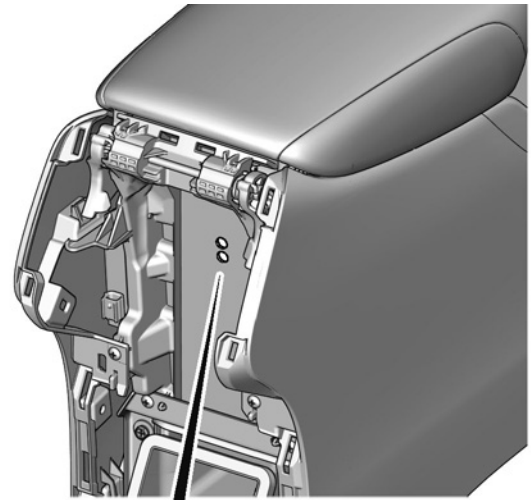
Installing the Light (RHD)

74. Pierce the center console.



QM80308AA

75. Drill the center console.

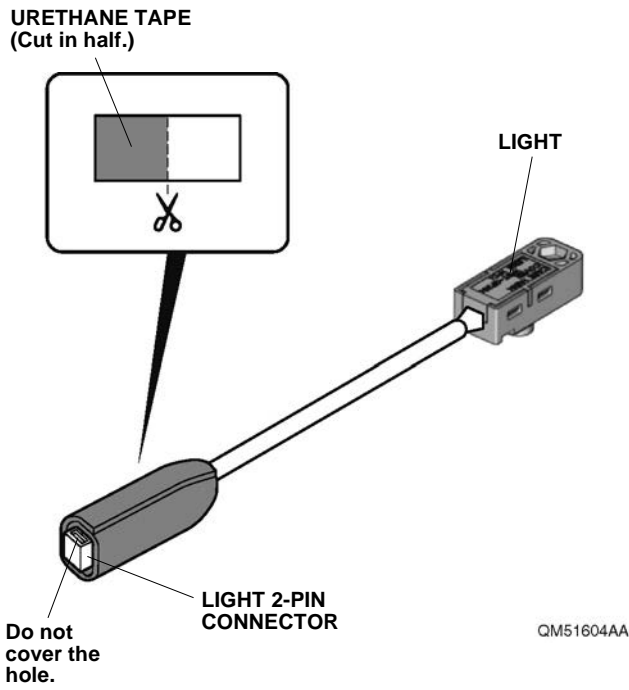


DRILL BITS
3 mm →
6 mm →
8 mm

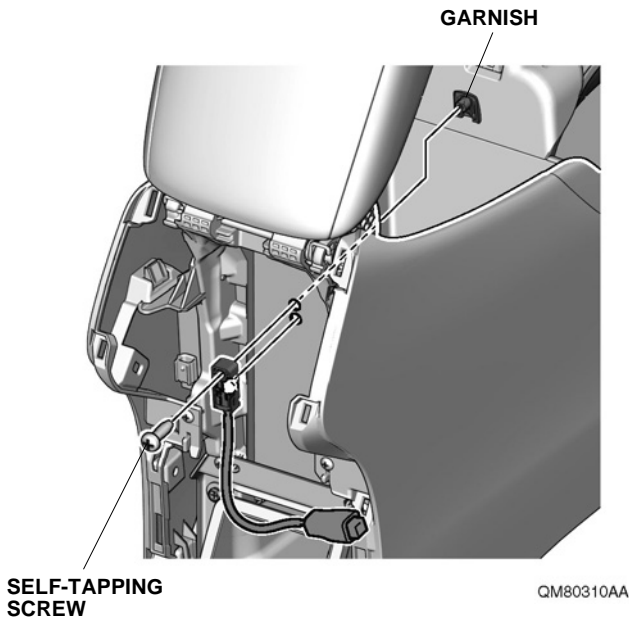
QM80309AA



76. Attach the urethane tape.

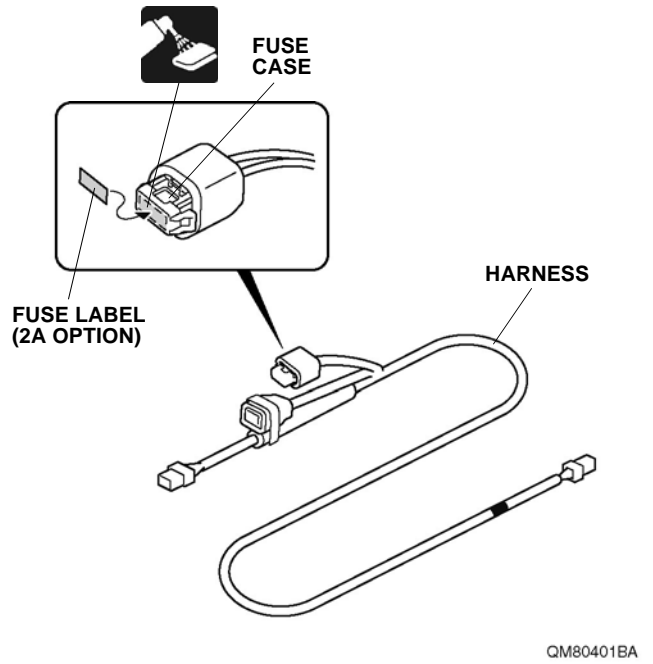


77. Install the light and garnish.

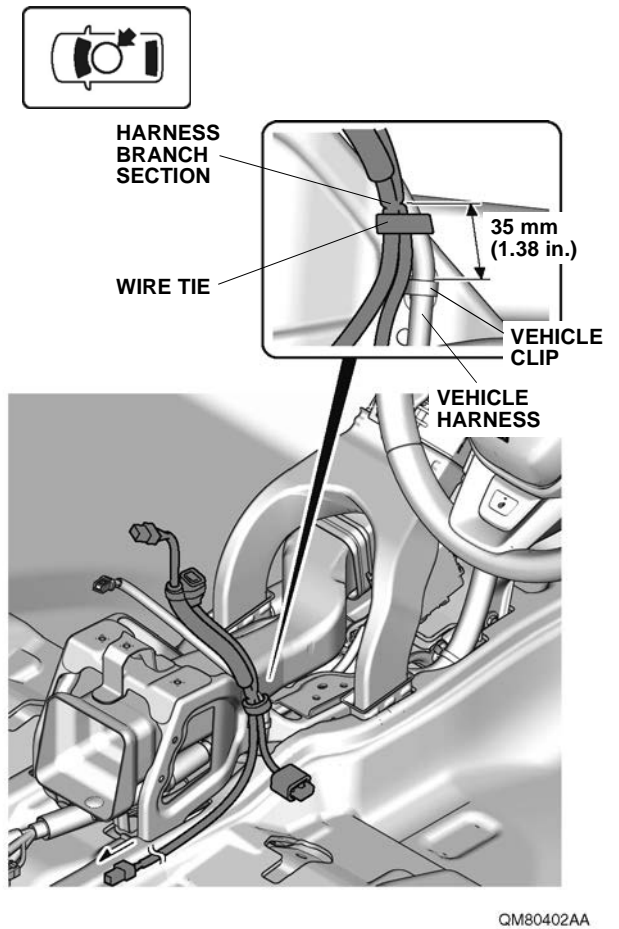


Routing the Harness (RHD)

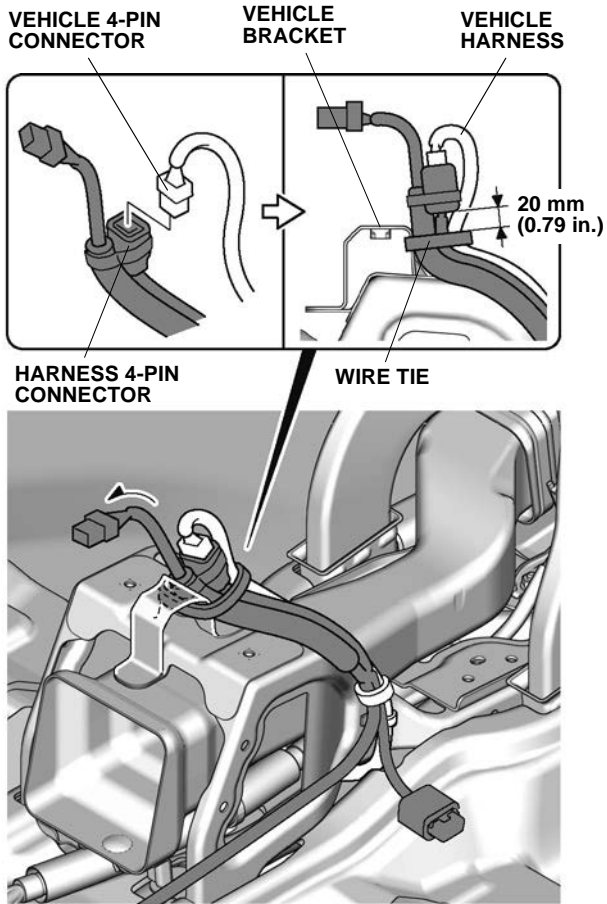
78. Attach the fuse label.



79. Secure the harness.

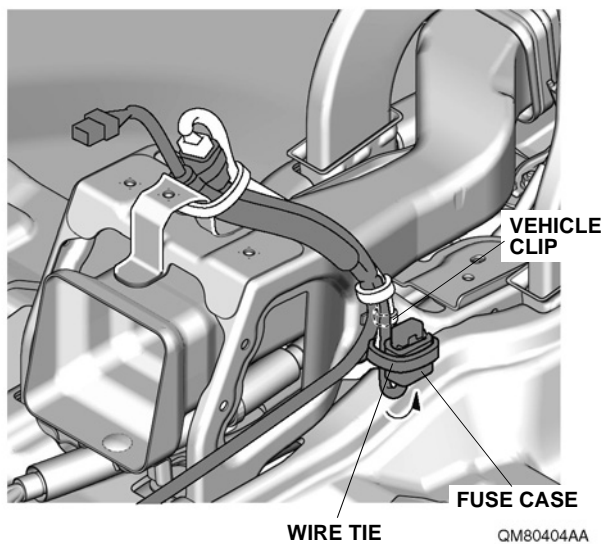


- 80. Connect the vehicle connector.
- 81. Secure the harness and vehicle harness.



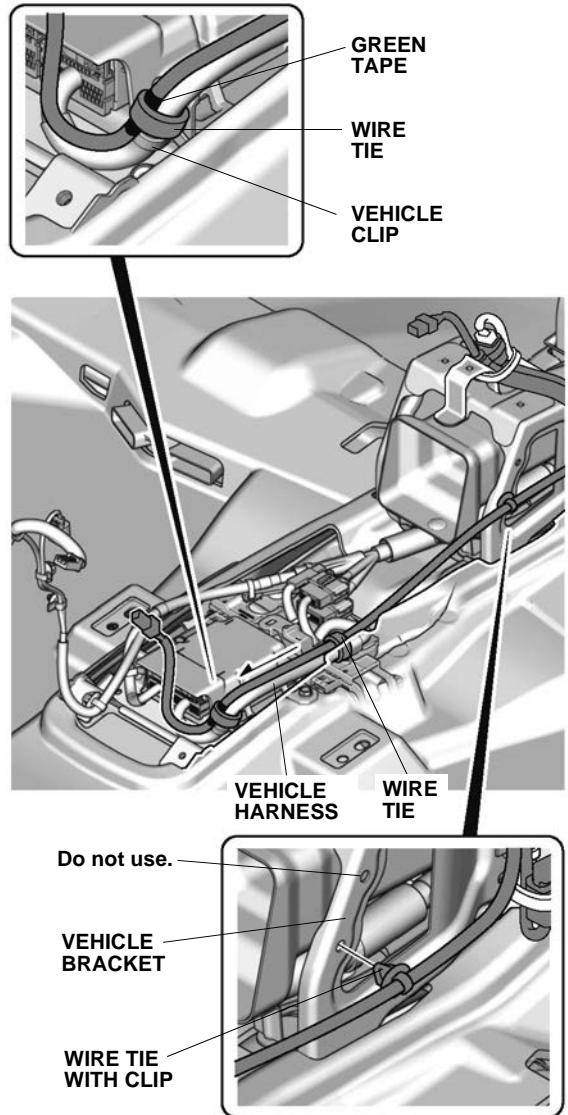
QM80403AA

- 82. Secure the harness and fuse case.



QM80404AA

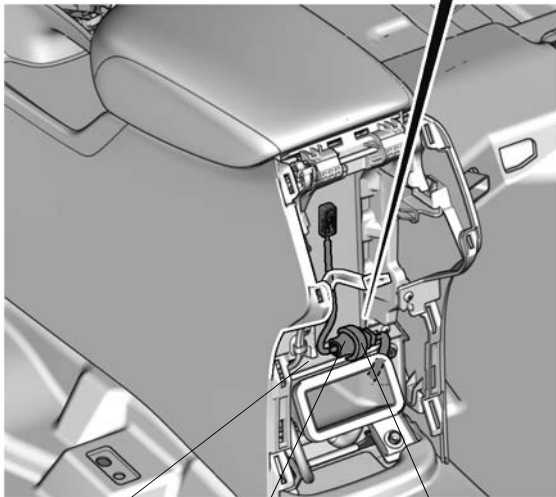
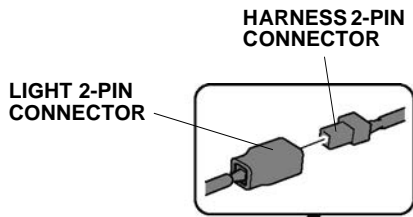
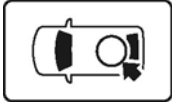
- 83. Secure the harness.



QM80405BA

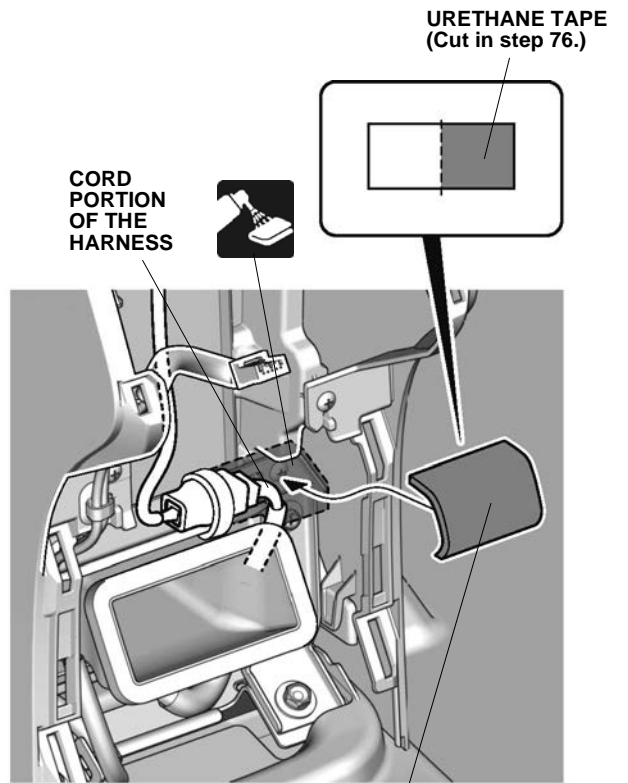
- 84. Reinstall the center console.

- 85. Connect the harness connector.
- 86. Secure the connectors.



VEHICLE BRACKET 2-PIN CONNECTORS WIRE TIE QM80406AA

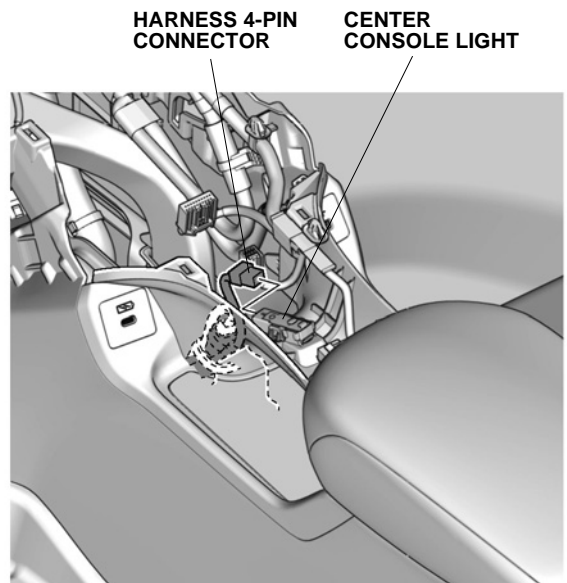
- 87. Attach the urethane tape.



QM80407AA

Attach the urethane tape to prevent contact between the cord portion of the harness and vehicle bracket.

- 88. Connect the harness connector.



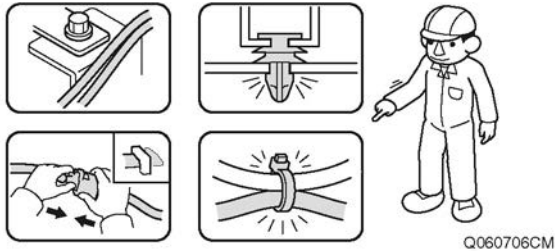
QM80408AA

Check After Installation

89. Check that all parts are routed and installed properly.

NOTICE

- Check that the harnesses are not pushed, not pulled and not pinched.
- Check that all clamps and wire ties are installed securely.

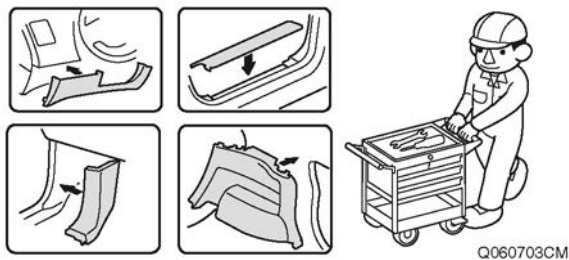


Reinstalling the All Removed Parts

90. Reinstall all removed parts.

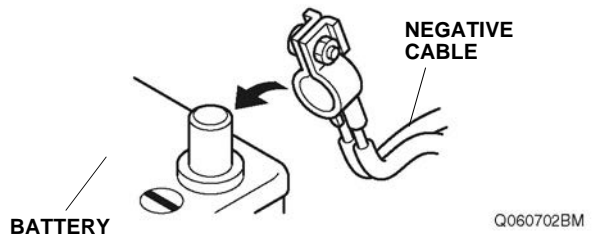
NOTICE

- Be extremely careful not to damage the vehicle parts, pinch the harnesses.
- Make sure to secure the retaining tabs and clips properly to avoid separation.



Operation Check

91. Reconnect the negative cable to the battery.



92. Check that the light comes on by opening the driver's side door when the POWER button is OFF.
93. Check that the light comes on by turning the light switch to the "☺" or "D" position when the POWER button is ON.
94. When the light switch is in the "AUTO" position, while the position lights and the headlights are on, the light is turned.
95. Check that the light brightness varies along with the instrument panel brightness control function.

Vehicle Check

96. Check that the electric accessories and systems operate properly.
97. Press and hold the audio power button for two seconds, or enter anti-theft code for the audio/navigation system.
98. Reset the memory of each equipment and restore the positions of those control knobs.

