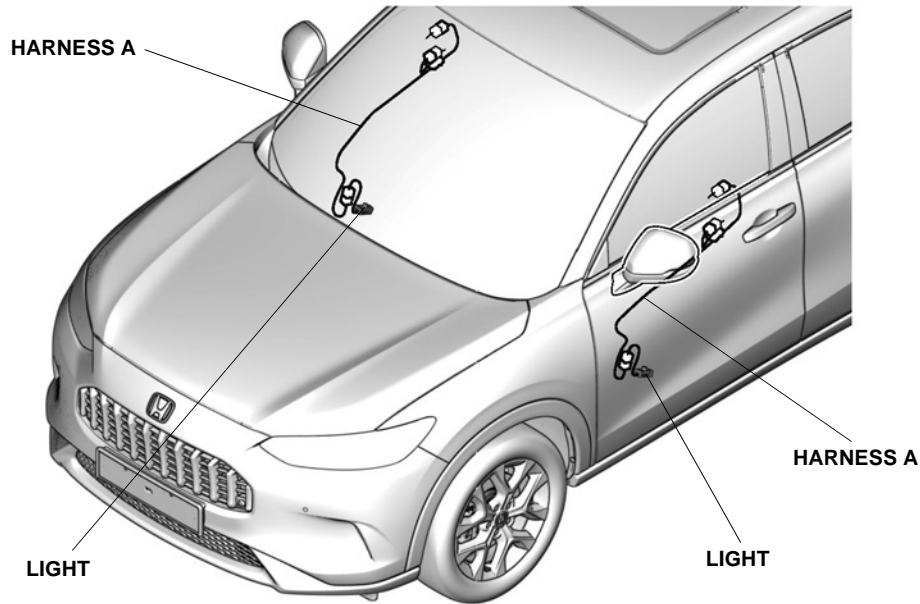


DOOR POCKET ILLUMINATION

ZR-V

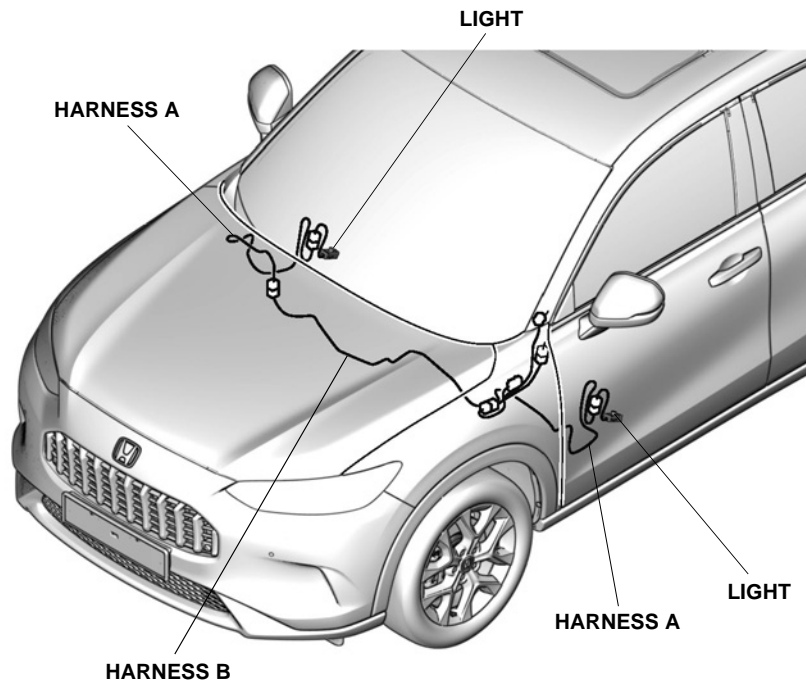
GENERAL VIEW

<With door line illumination>



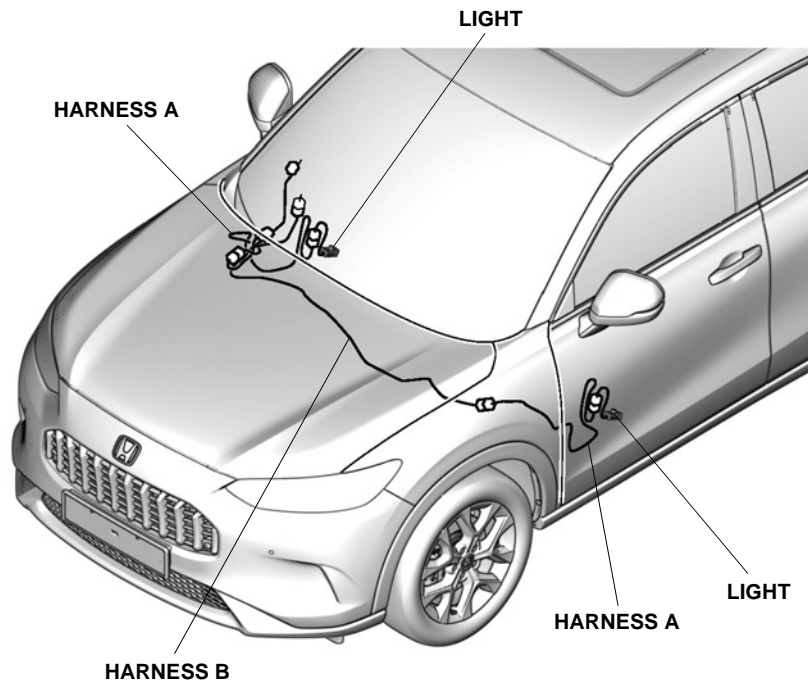
QM80801AA

<Without door line illumination (LHD models)>



QM81201AA

<Without door line illumination (RHD models)>



QM80802AA

FOR YOUR SAFETY (Read carefully)

Introduction of Symbol Messages

- These symbols warn you about the possible hazards and explain how to avoid them. And give you some advices.

⚠ DANGER

You will be killed or seriously hurt if you do not follow the instructions.

⚠ WARNING

You can be killed or seriously hurt if you do not follow the instructions.

⚠ CAUTION

You can be hurt if you do not follow the instructions.

NOTICE

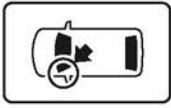
Gives advice to prevent damage to the product.
Gives helpful information or instructions to be followed in using the product.



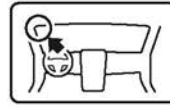
Indicates prohibited actions.

Introduction of Icons

- These icons indicate the working place and the worker's vision.



The place for the vehicle.



The place for the instrument panel.

- These icons indicate the necessary things for your safety and the work.



Wear eye protection.



Wear heavy gloves.



Work with an assistant.



Place the part on a blanket.



Remove any burrs.



Use the touch-up paint and dry.



Keep the parts and give it to the customer.
(Not use)



Press firmly.



Tighten by specified torque.

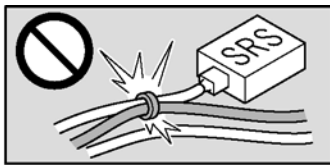


Work perpendicularly.

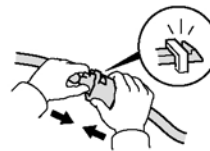


Clean with the contact cleaner.

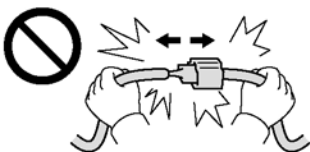
Wire Harness Routing Precaution



Do not clamp the accessory harness and SRS harness together. (except for instruction cases).



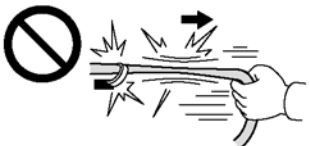
Connect the connectors and terminals securely until they lock.



Do not pull the harness to disconnect the connectors.



Reinstall the connectors to the original positions if they are removed.



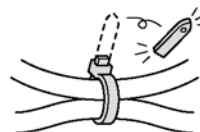
Do not pull the harness strongly.



Secure the accessory harness to the specified position, not to hang down.



Do not pinch the harness with the parts.



Cut off the excess of the wire ties.

Safety: General

- Observe all safety notes and precautions described in the Shop Manual in addition to those described in this Installation Instructions. Be extremely careful for your safety and safety of others particularly.
- Be careful not to damage the vehicle and the parts.
- Be extremely careful to the handling of the retaining tabs and clips particularly.
- Note the locations of the parts before removing them so that they can be reinstalled in their original positions properly.
- The illustrations may differ a little from the actual accessories for the design change of the vehicle.

Safety: For Electric Parts

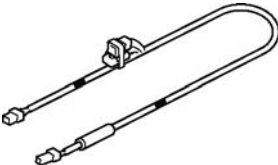



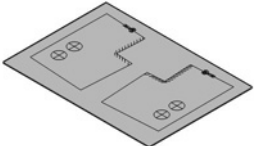

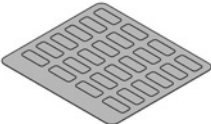

- Do not perform the installation of the accessories with having connected negative cable of the battery.

Safety: For the Accessory

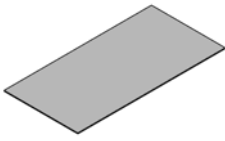
- Always use the parts and tools specified in the installation instructions.
- Do not perform installation work and attaching work at the place where gets the direct rays of the sun or the dust appears.
- Always install these accessories at the ambient air temperature 15°C (60°F) or above.
- Heat the accessories and bonding surfaces if the ambient air temperature is below 15°C (60°F).
- Attach the accessories by pressing it firmly with the palm of your hand. Be careful not to damage the accessories and the vehicle parts.
- Carefully place the double-sided adhesive tape on the proper position. Once the double-sided adhesive tape touches the surface, do not try to detach and relocate it. If you attempt to move after it touches the surface, you will damage the part before the adhesive will give way.

PARTS LIST

Door Pocket Illumination Kit (With door line illumination)

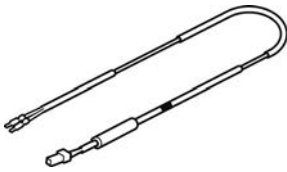
Harnesses A (2)	Lights (2)	Garnishes (2)	Mats (2)
			
Template	Self-tapping screws (2)	Fuse label	Wire ties (8)
			

Aluminum tapes (2)

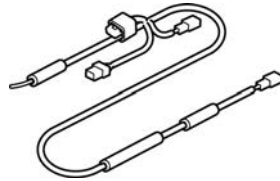


Door Pocket Illumination Kit (Without door line illumination)

Harnesses A (2)



Harness B



Lights (2)



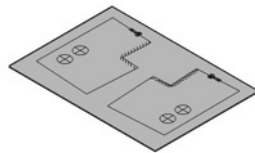
Garnishes (2)



Mats (2)



Template



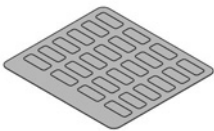
Self-tapping screws (2)



Washer-bolts (2)



Fuse label



Wire ties A (23)



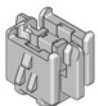
Wire tie B (narrow)



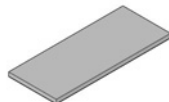
Joint connector cover



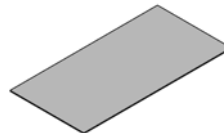
Joint connector case



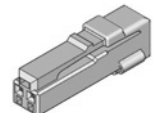
Urethane tape



Aluminum tapes (2)



2-Pin connectors (2)



TOOLS AND SUPPLIES REQUIRED

- Phillips screwdriver
- Contact cleaner
- Ratchet
- Tape
- Drill
- Steel wire
- Awl
- Eye protection
(face shield, safety goggles, etc.)
- 10 mm Open end wrench
- Shop towel
- 10 mm Socket
- Ruler
- 6 mm and 8 mm Drill bits
- Electrical tape
- Masking tape
- Nippers
- Handy remover
- Scissors
- File
- Pushpin
- Torque wrench
- Pliers

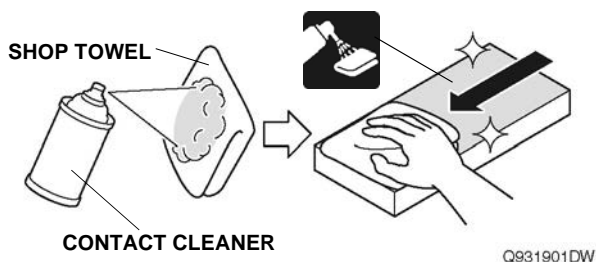
INSTALLATION

How to Use the Contact Cleaner

- Using contact cleaner on a shop towel, thoroughly clean the areas where the accessories will be attached.

NOTICE

- Always use the contact cleaner.
- Do not apply the cleaner to the object of the work directly.
- Allow to dry completely the cleaned areas before attachment work.

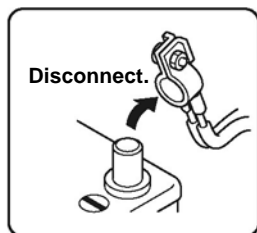
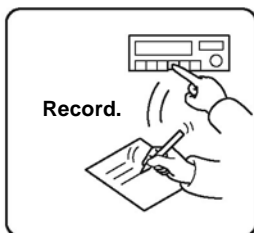
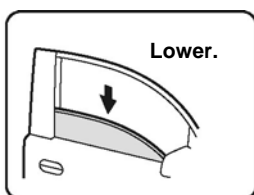


Disconnecting the Battery Cable

- Perform the works before disconnecting the negative cable from the battery as shown below.
- Make sure if you have the anti-theft code for the audio/navigation system. Record some settings of the vehicle if necessary.
- Disconnect the negative cable from the battery.

NOTICE

- With the driver's door open, turn the vehicle to the OFF (LOCK) mode, then wait at least 3 minutes before disconnecting the 12 volt negative battery cable.



- Follow the below guidance.

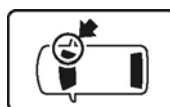
- | | |
|--------------|------------|
| • LHD models | To step 5 |
| • RHD models | To step 94 |

Removing the Vehicle Parts (LHD)

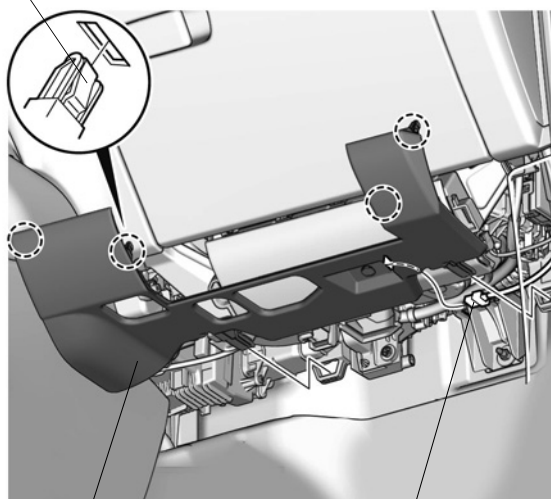
- Follow the below guidance.

- | | |
|----------------------------------|------------|
| • Without door line illumination | To step 6 |
| • With door line illumination | To step 18 |

- Remove the passenger's dashboard under cover.



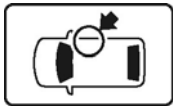
4 CLIPS



PASSENGER'S
DASHBOARD
UNDER COVER

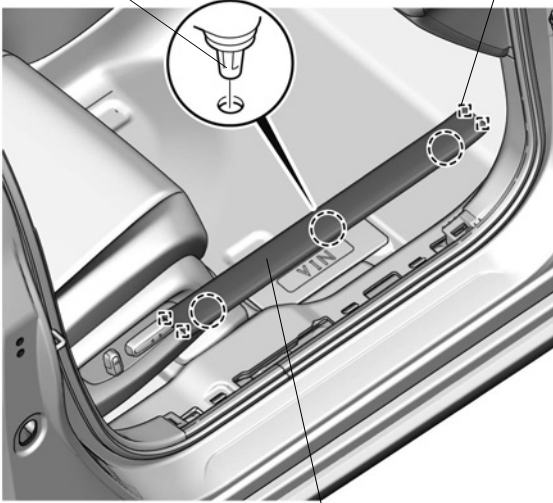
VEHICLE
CONNECTOR
(if equipped)

7. Remove the right front side step garnish.



3 CLIPS

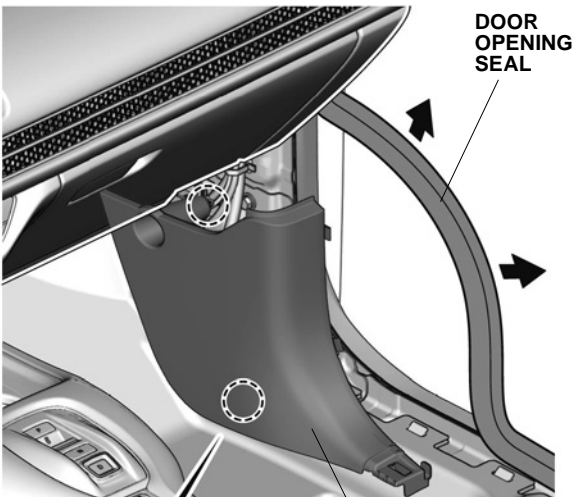
4 RETAINING
TABS



RIGHT FRONT SIDE
STEP GARNISH

QM80203AG

8. Remove the right kick panel.



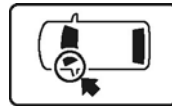
DOOR
OPENING
SEAL

RIGHT KICK
PANEL

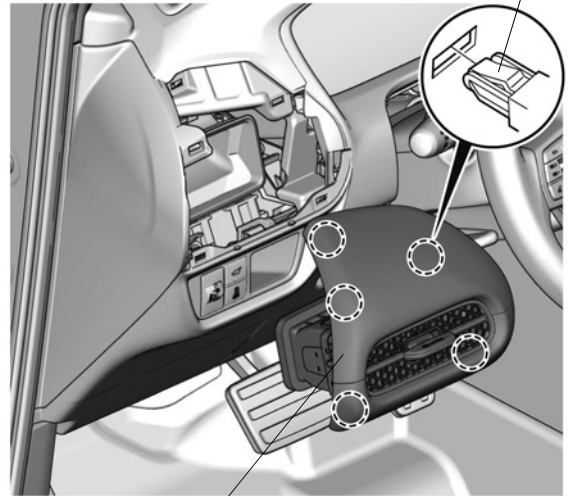
2 CLIPS

QM80204AG

9. Remove the driver's panel.



5 CLIPS



DRIVER'S
PANEL

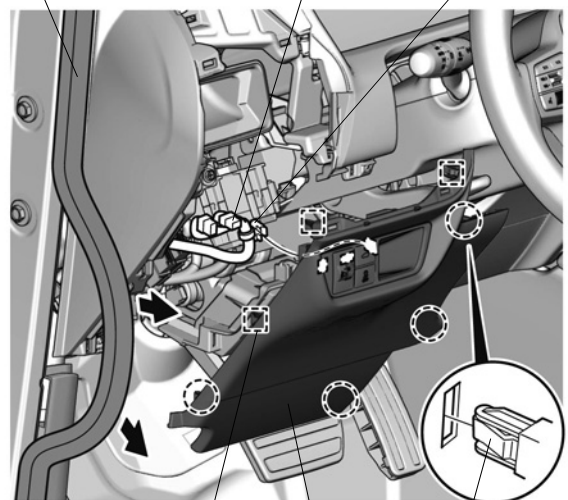
QM80205AG

10. Remove the driver's outside lower cover.

DOOR
OPENING
SEAL

VEHICLE
CONNECTORS

VEHICLE
CLIP



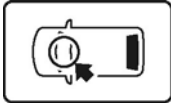
3 RETAINING
TABS

4 CLIPS

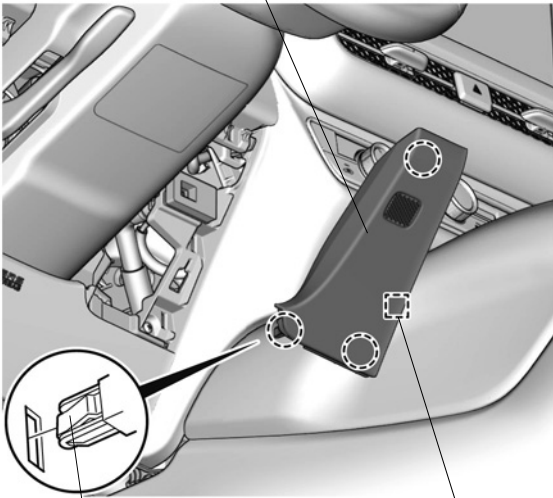
DRIVER'S OUTSIDE
LOWER COVER

QM80206AG

11. Remove the driver's inside lower cover.



DRIVER'S INSIDE LOWER COVER



3 CLIPS

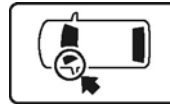
RETAINING TAB

QM80207AG

12. Adjust the tilt of the steering column to its highest position. Then bring the telescope position to all the way out.
13. Remove the driver's knee airbag.

⚠ CAUTION

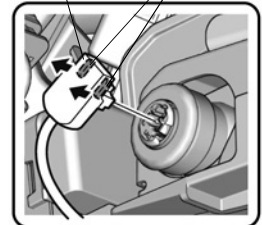
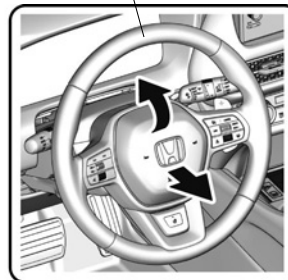
- Work after leaving more than three minutes after disconnecting the negative cable from the battery.
- Do not drop the removed airbag or hit it on an object.
- Place the removed airbag on a safe place with the pad surface (top) facing upward.



STEERING WHEEL

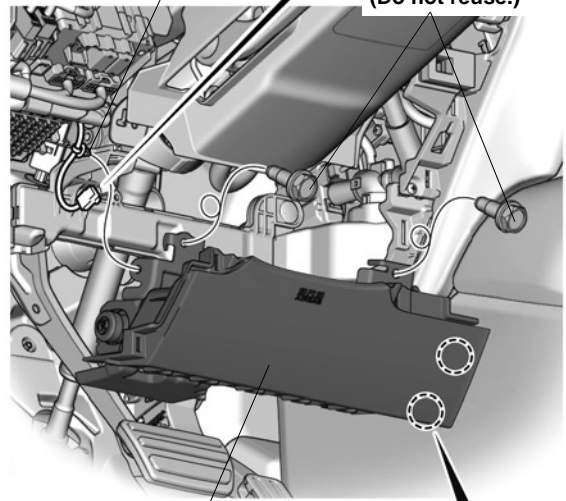
VEHICLE CONNECTOR

2 RETAINING TABS

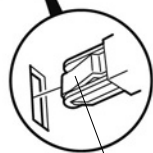


VEHICLE CLIP

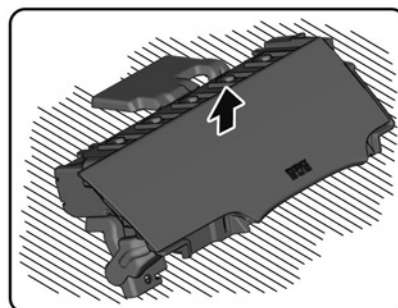
2 BOLTS
(Do not reuse.)



DRIVER'S KNEE AIRBAG

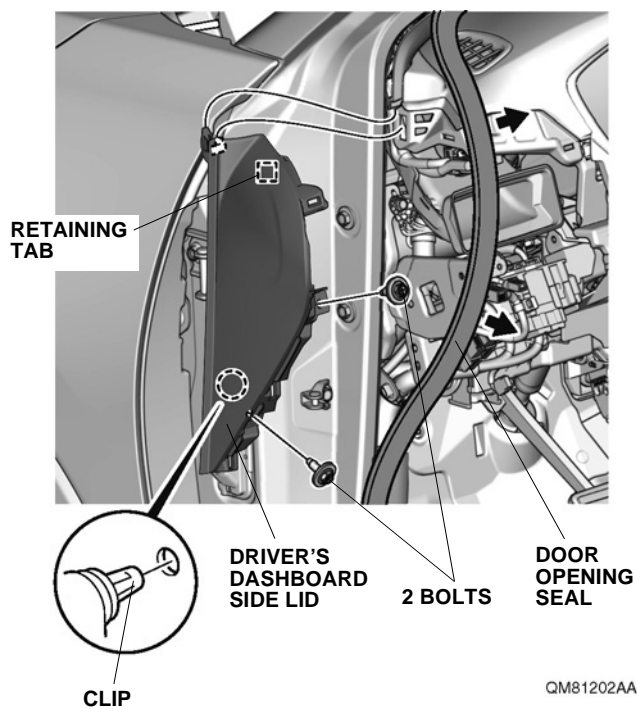


2 CLIPS

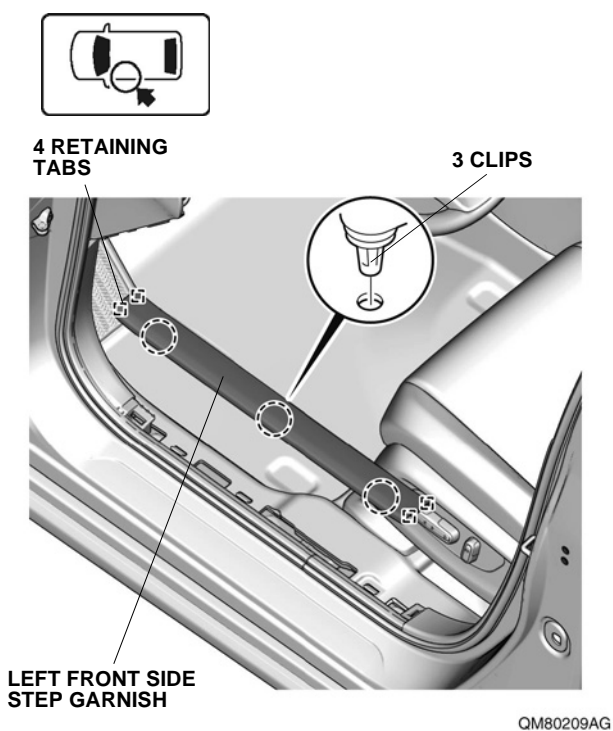


QM80208AG

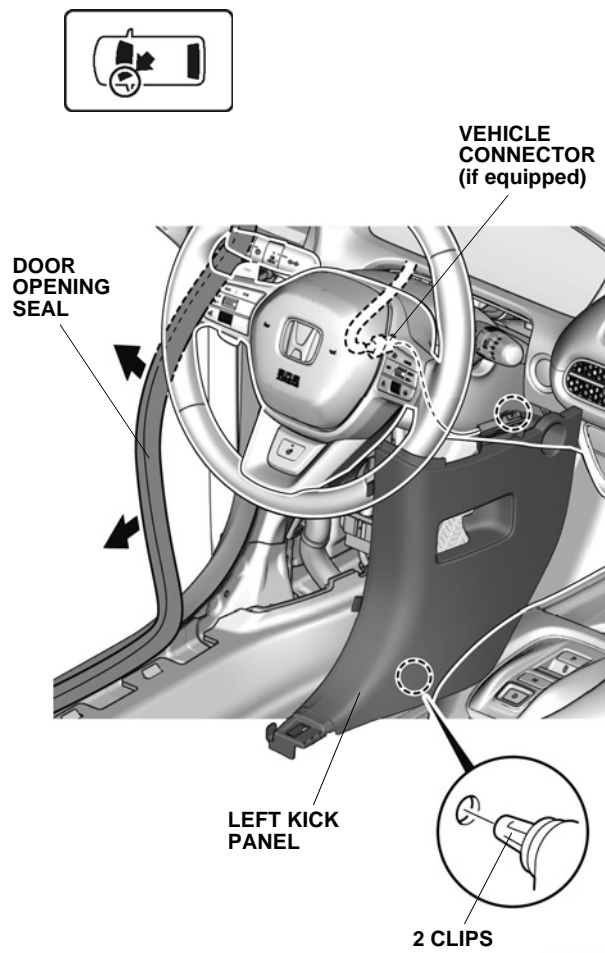
14. Remove the driver's dashboard side lid.



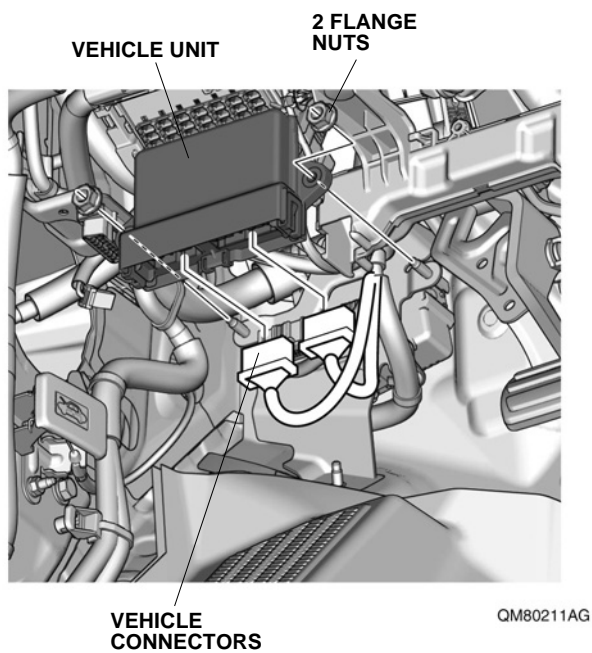
15. Remove the left front side step garnish.



16. Remove the left kick panel.



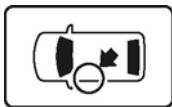
17. Remove the vehicle unit.



18. Attach the tapes to protect the vehicle.

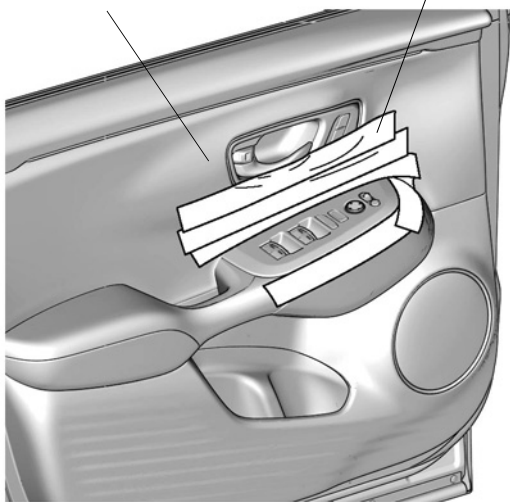
NOTICE

- Do not remove the tapes until after the reinstallation.



LEFT FRONT DOOR
PANEL LINING

TAPES

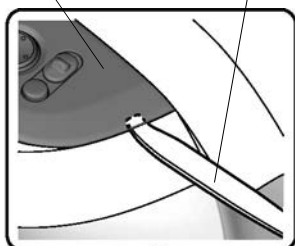


QM81203AA

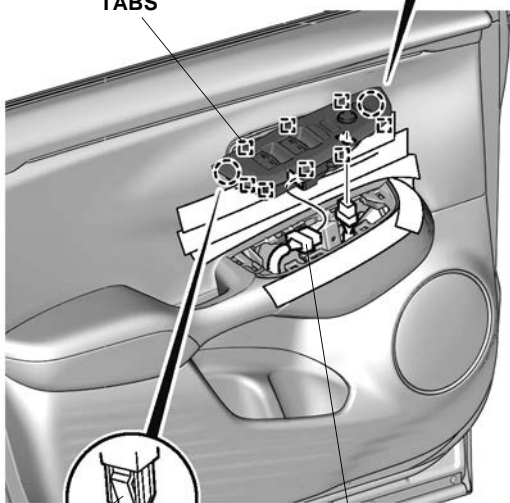
19. Remove the left front door switch panel.

LEFT FRONT DOOR
SWITCH PANEL

HANDY
REMOVER



8 RETAINING
TABS



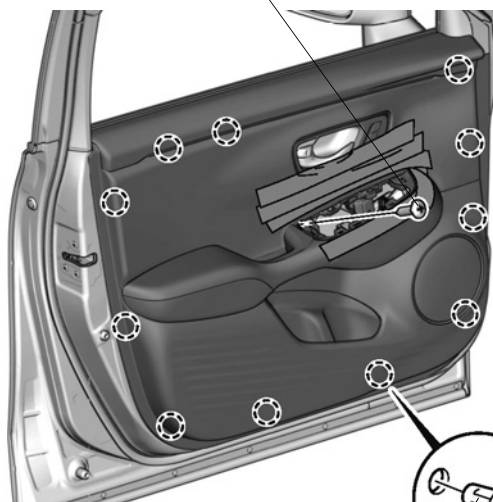
2 CLIPS

VEHICLE
CONNECTORS

QM81204AA

20. Release the left front door panel lining.

SELF-TAPPING
SCREW



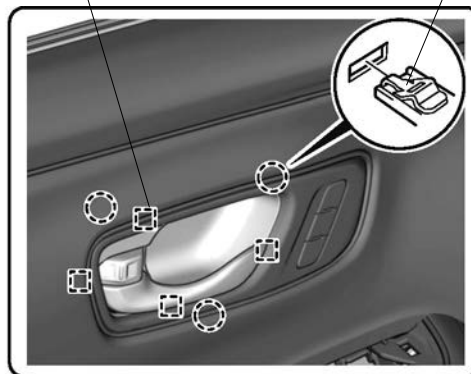
11 CLIPS

QM81205AA

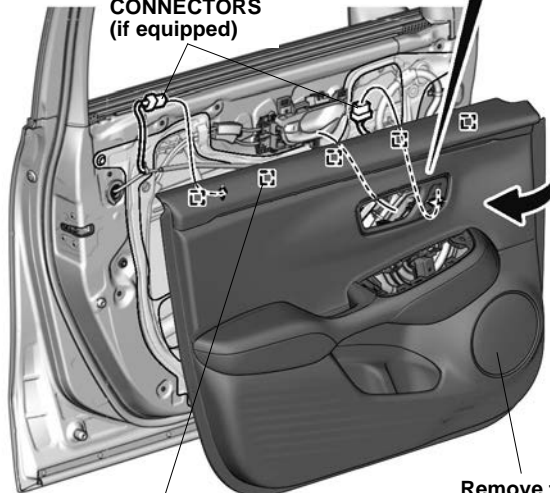
21. Remove the left front door panel lining.

4 RETAINING
TABS

3 CLIPS
(metal)



VEHICLE
CONNECTORS
(if equipped)



5 RETAINING
TABS

Remove from
the frontward.

QM81206AA

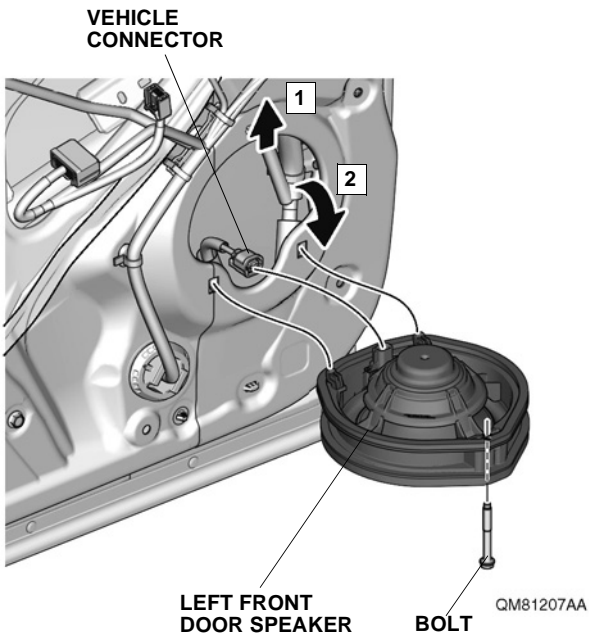
22. Follow the below guidance.

- | | |
|----------------------------------|------------|
| • Without door line illumination | To step 23 |
| • With door line illumination | To step 24 |

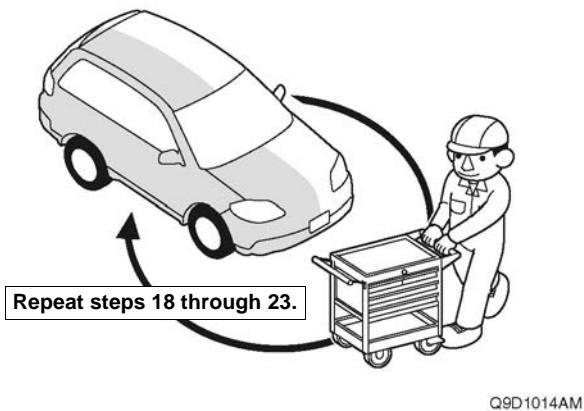
23. Remove the left front door speaker.

NOTICE

- Remove in the order shown.



24. Repeat the same procedures on the other side.

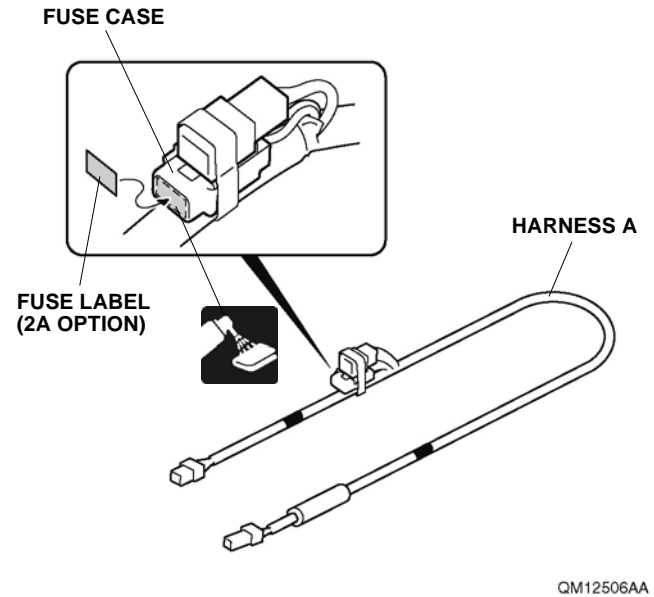


Routing the Harness A (LHD)

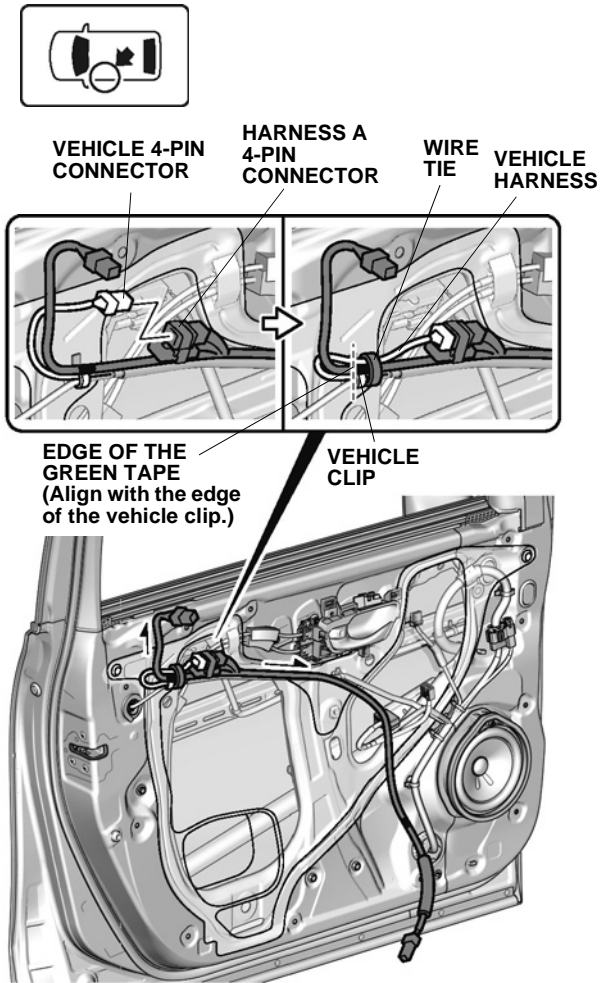
25. Follow the below guidance.

- | | |
|----------------------------------|------------|
| • With door line illumination | To step 26 |
| • Without door line illumination | To step 31 |

26. Attach the fuse label.

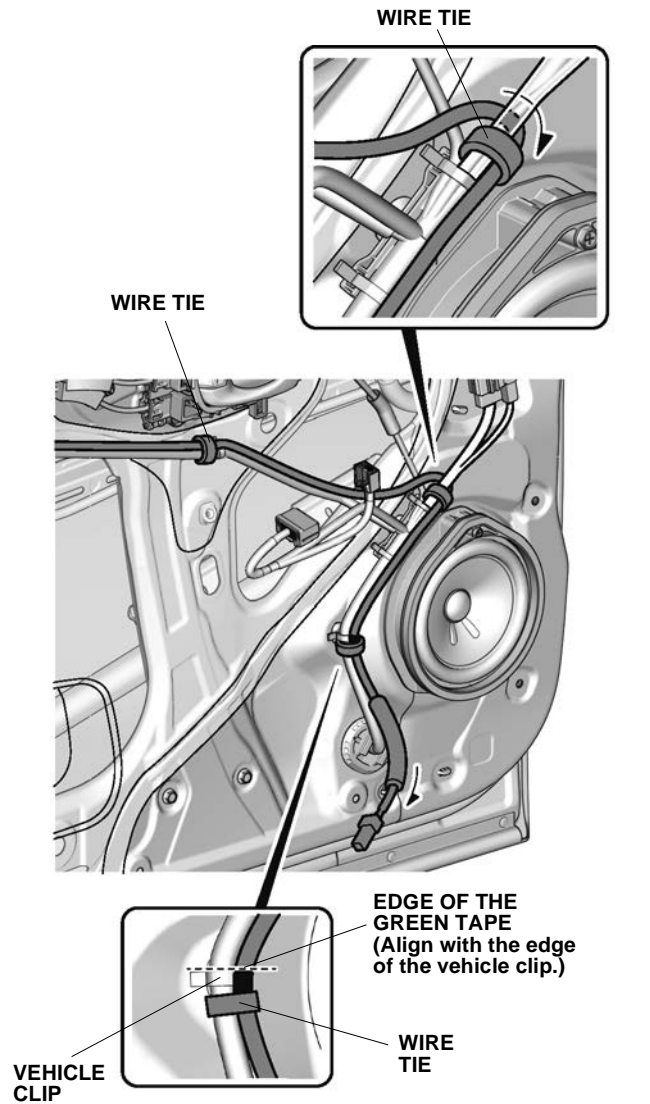


- 27. Connect the vehicle connector.
- 28. Secure the harness A and vehicle harness.



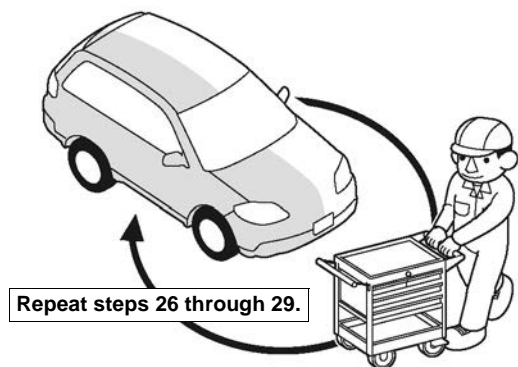
QM81208AA

- 29. Secure the harness A.



QM81209AA

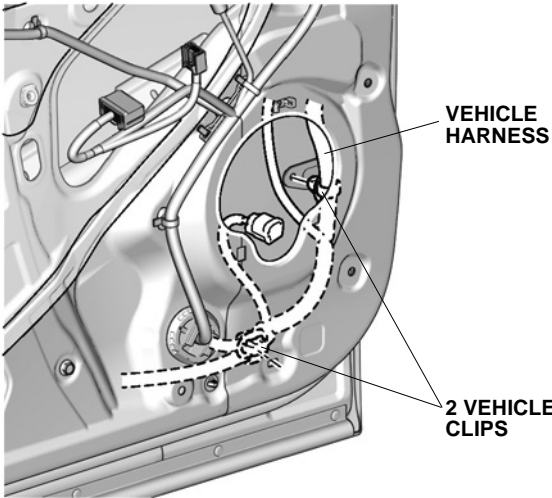
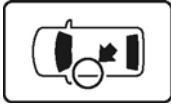
- 30. Repeat the same procedures on the other side.



Q9D1014AM

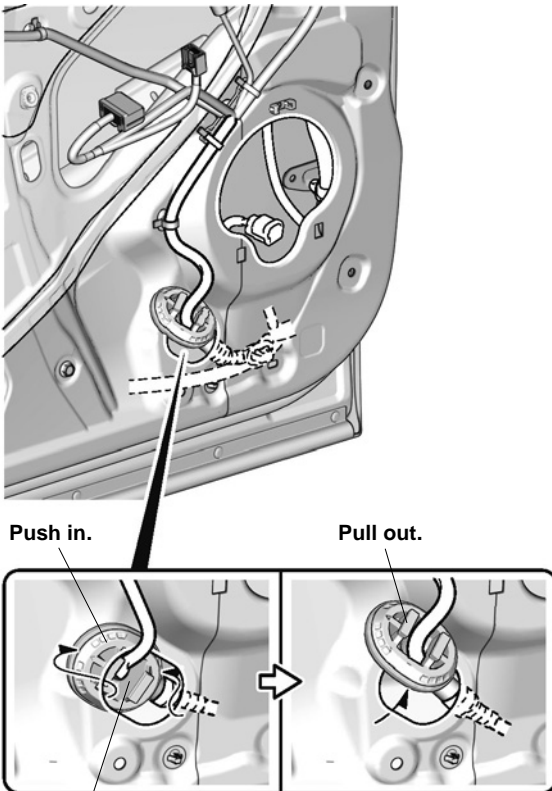
To step 77

31. Release the vehicle harness.



QM81210AA

32. Release the vehicle grommet.



VEHICLE GROMMET

QM81211AA

33. Cut the tape.

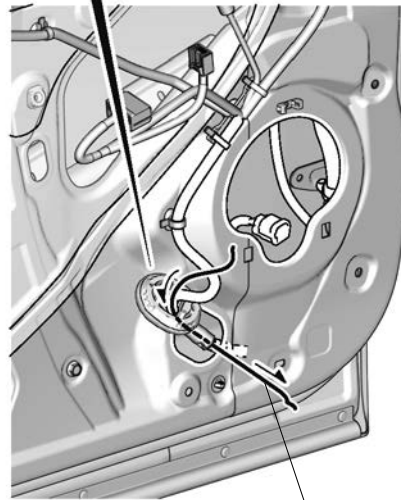
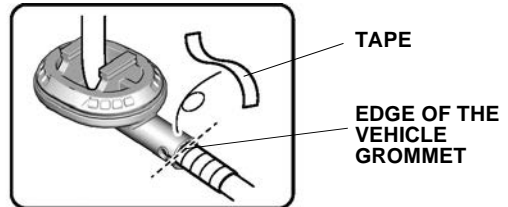
NOTICE

- Be careful not to damage the vehicle grommet and vehicle harness.

34. Route the steel wire.

NOTICE

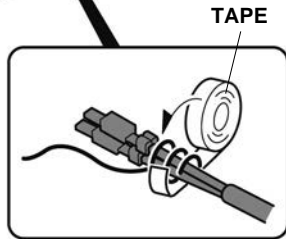
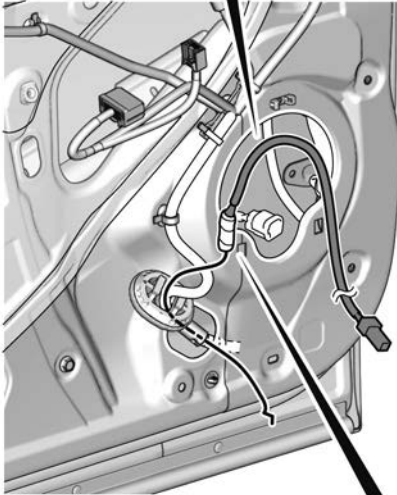
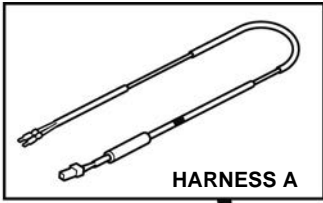
- Do not damage the vehicle grommet or the vehicle harness with the steel wire.



STEEL WIRE

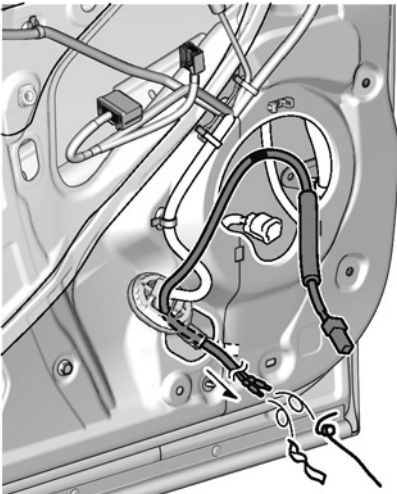
QM81212AA

35. Attach the steel wire.



QM81213BA

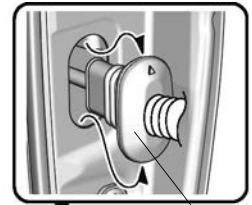
36. Route the harness A.
37. Remove the steel wire.



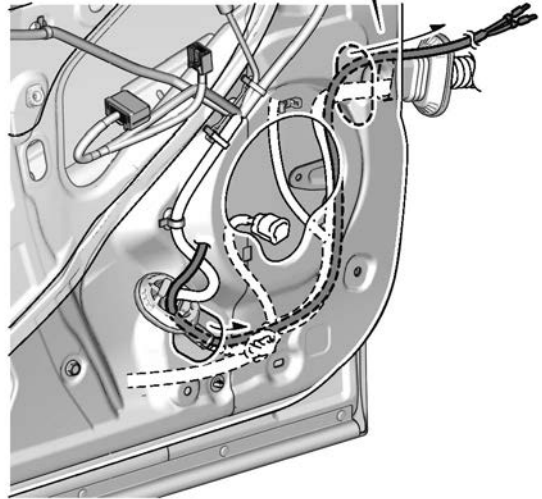
QM81214AA

38. Release the vehicle grommet.
39. Route the harness A.

<OPPOSITE SIDE VIEW>

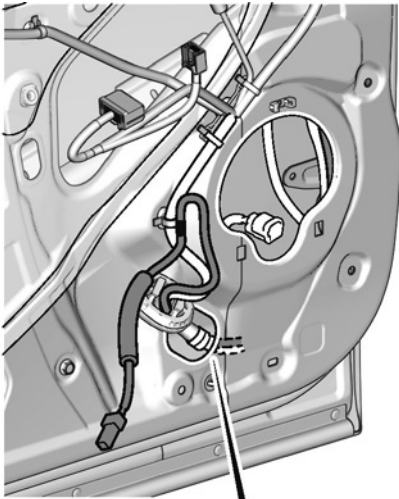


VEHICLE GROMMET



QM81215AA

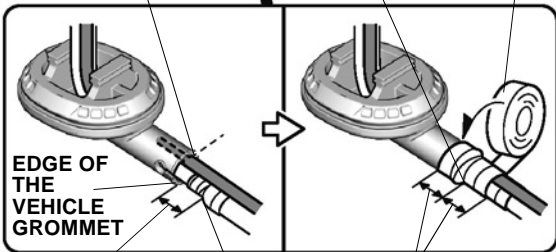
40. Secure the harness A.



EDGE OF THE HARNESS A TUBE (Align with the edge of the vehicle grommet.)

EDGE OF THE VEHICLE GROMMET

ELECTRICAL TAPE



20 mm (0.79 in.)

EDGE OF THE VEHICLE HARNESS TUBE

20 mm (0.79 in.)

QM81216AA

41. Reinstall the vehicle grommet released in step 32.

NOTICE

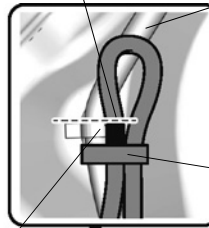
- Make sure to check that the grommet is secured properly.

42. Reinstall the vehicle harness.

43. Secure the harness A.

EDGE OF THE GREEN TAPE (Align with the edge of the vehicle clip.)

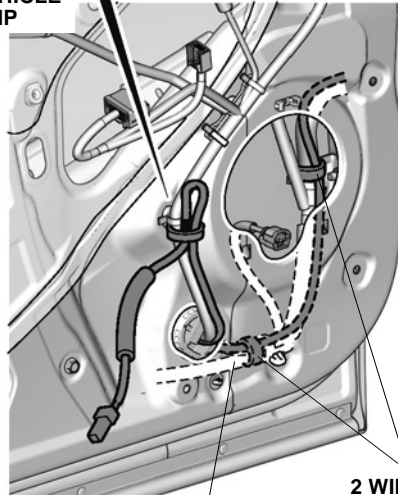
VEHICLE HARNESS



VEHICLE HARNESS

WIRE TIE A

VEHICLE CLIP

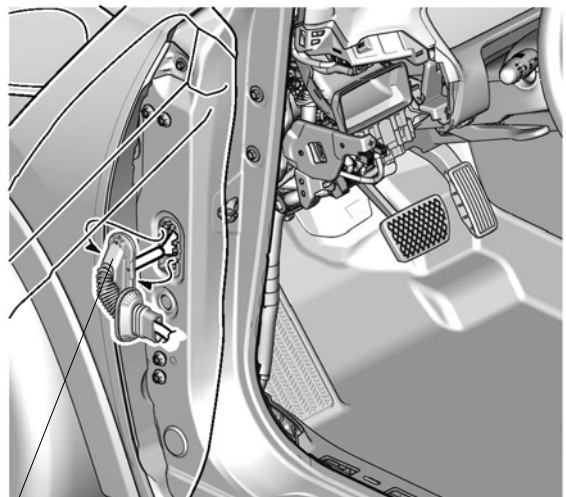
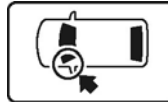


2 WIRE TIES A

VEHICLE HARNESS

QM81217AA

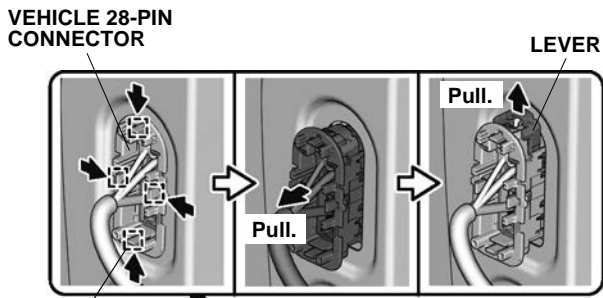
44. Release the vehicle grommet.



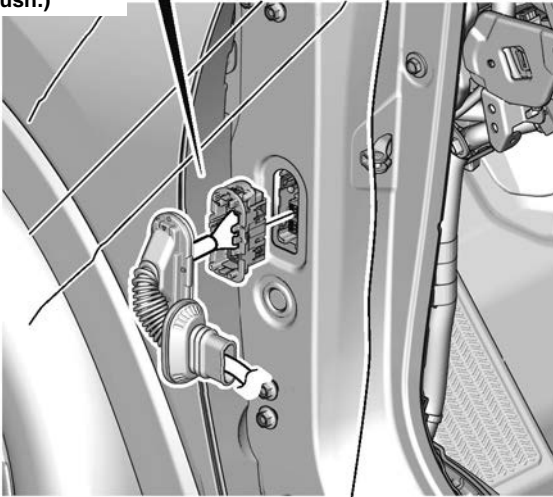
VEHICLE GROMMET

QM81218AA

45. Disconnect the vehicle connector.



4 RETAINING TABS (Push.)

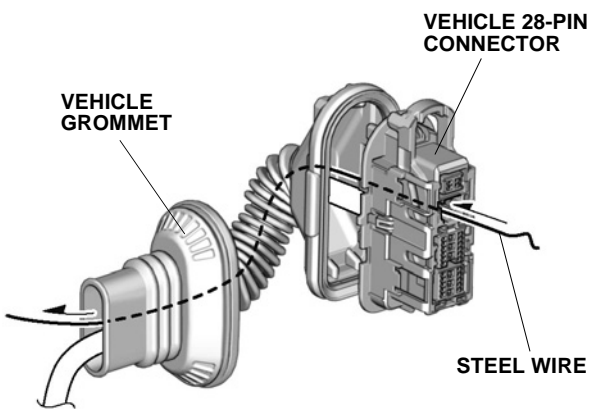


QM81219AA

46. Route the steel wire.

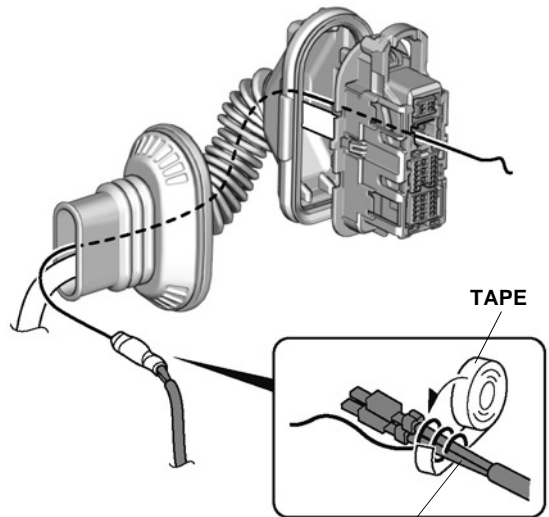
NOTICE

- Do not damage the vehicle grommet or the vehicle harness with the steel wire.
- Make sure that the steel wire is not caught between the vehicle harness inside the vehicle grommet.



QM81220AA

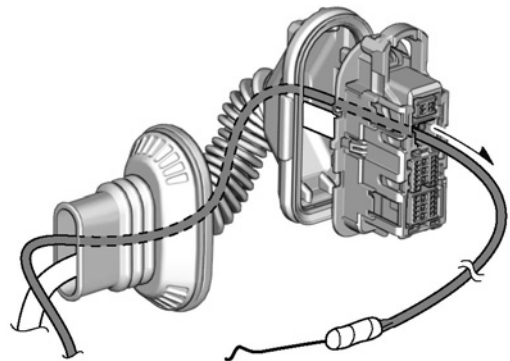
47. Attach the steel wire.



HARNESS A

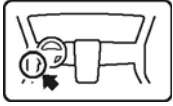
QM81221AA

48. Route the harness A.

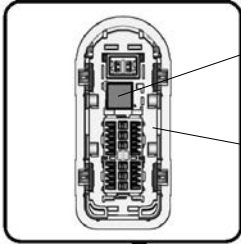


QM81222AA

- 49. Route the harness A.
- 50. Remove the steel wire.

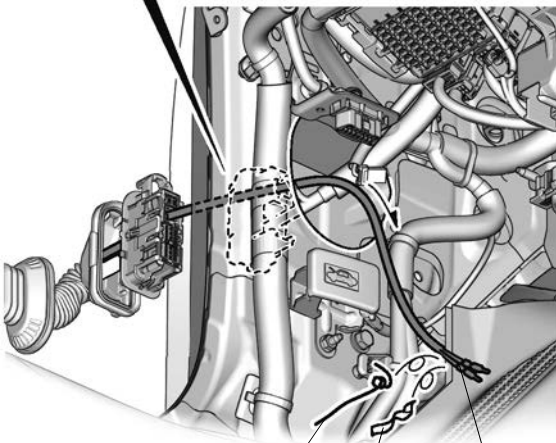


<OPPOSITE SIDE VIEW>



ROUTING AREA

VEHICLE 28-PIN CONNECTOR



STEEL WIRE

TAPE

HARNESS A

QM81223AA

- 51. Reinstall the vehicle grommet released in step 38.

NOTICE

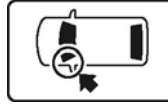
- Make sure to check that the grommet is secured properly.

- 52. Reinstall the vehicle grommet released in step 44.

NOTICE

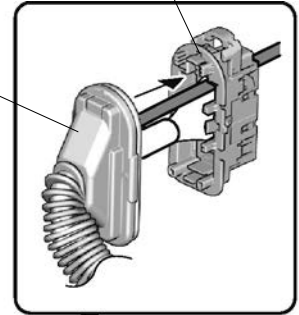
- Make sure to check that the grommet is secured properly.

- 53. Reconnect the vehicle connector.

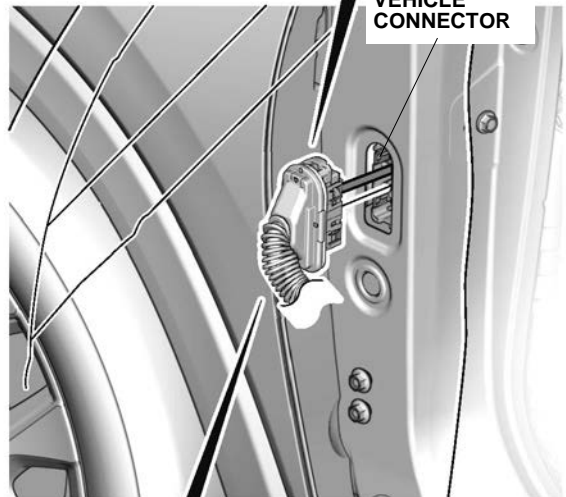


VEHICLE CONNECTOR

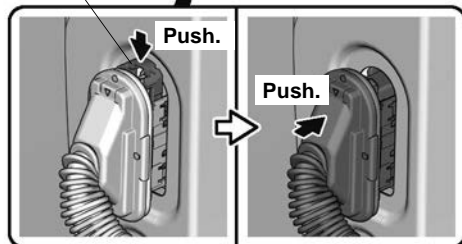
VEHICLE GROMMET



VEHICLE CONNECTOR



LEVER

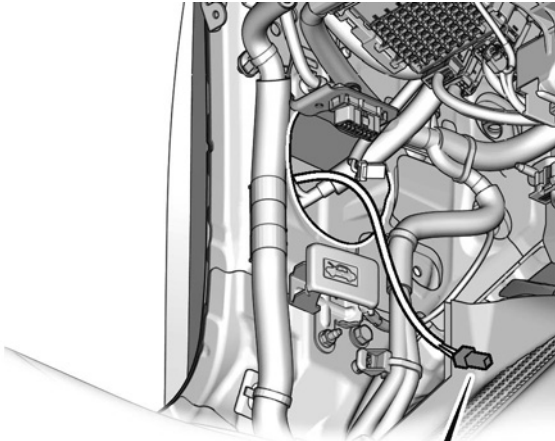
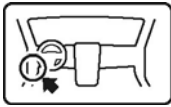


QM81224AA

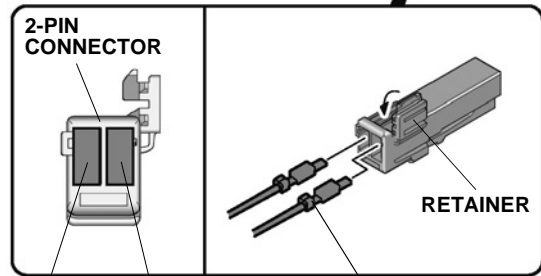
54. Install the 2-pin connector.

NOTICE

- Make sure to insert the terminals in the correct position and orientation.
- Make sure to correctly insert the terminals.



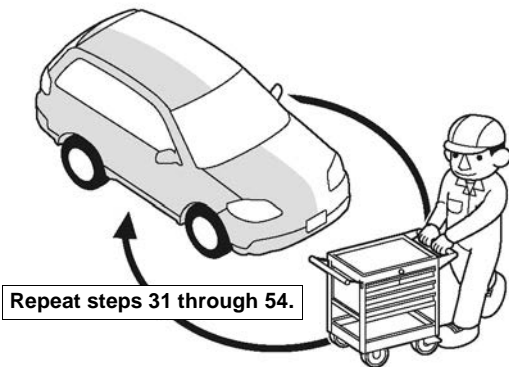
<HARNES
SIDE VIEW>



WHITE
CORD RED
CORD

2 HARNES A
TERMINALS QM81225AA
(Face the caulking
upward.)

55. Repeat the same procedures on the other side.



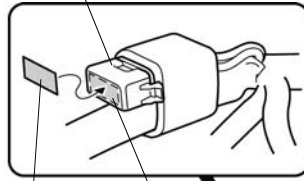
Repeat steps 31 through 54.

Q9D1014AM

Routing the Harness B (LHD)

56. Attach the fuse label.

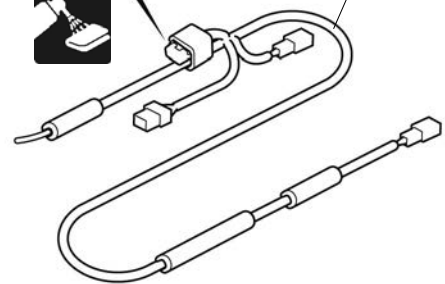
FUSE CASE



FUSE LABEL
(2A OPTION)

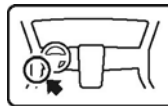


HARNES B



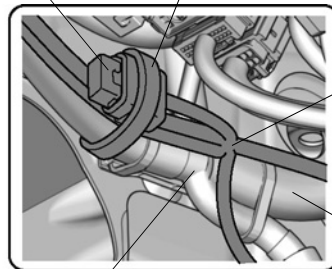
QM80813CA

57. Secure the harness B and fuse case.



FUSE CASE

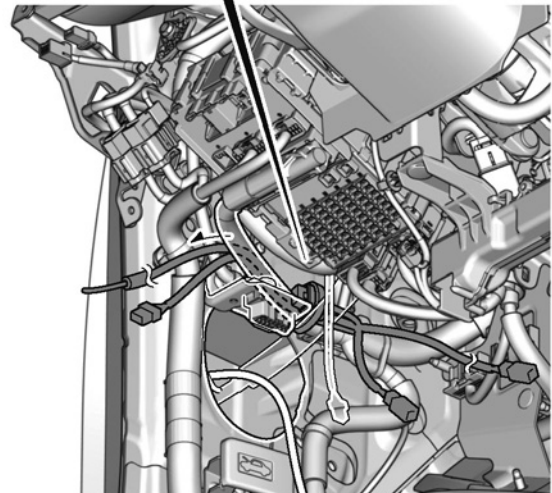
WIRE TIE A



HARNES B
BRANCH SECTION
(Align with the
vehicle harness
branch section.)

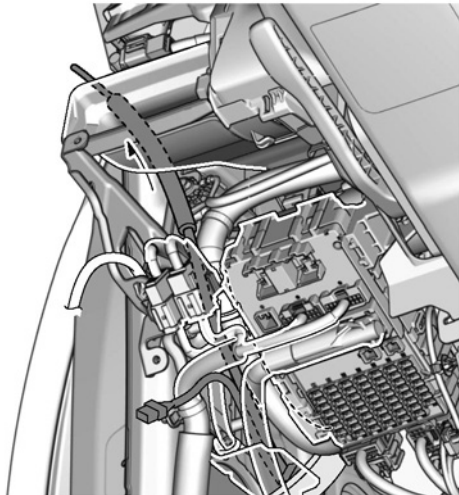
VEHICLE
HARNES

VEHICLE HARNES
BRANCH SECTION



QM82202AA

58. Route the harness B.



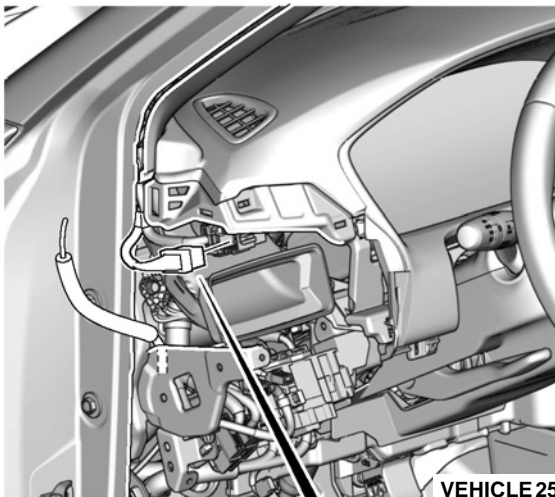
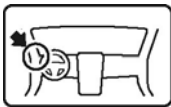
QM82203AA

59. Disconnect the vehicle connector.

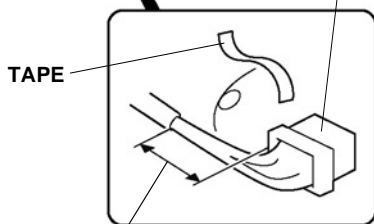
60. Cut the tape.

NOTICE

- Be careful not to damage the vehicle harness.



VEHICLE 25-PIN CONNECTOR



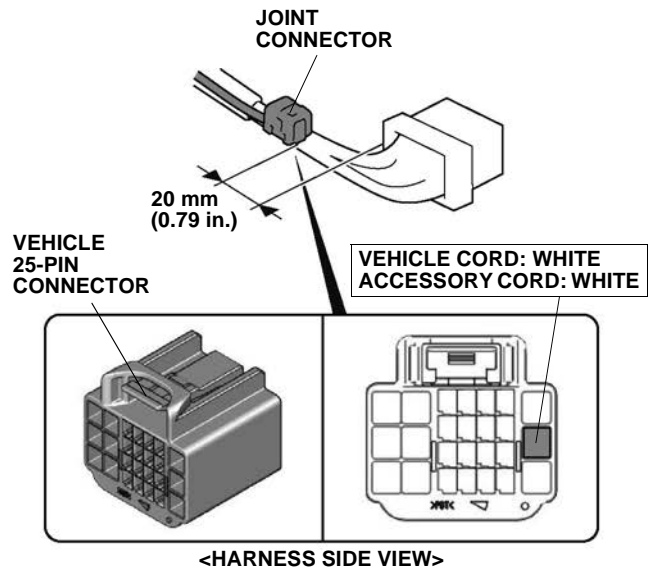
50 mm (1.97 in.)

QM82204AA

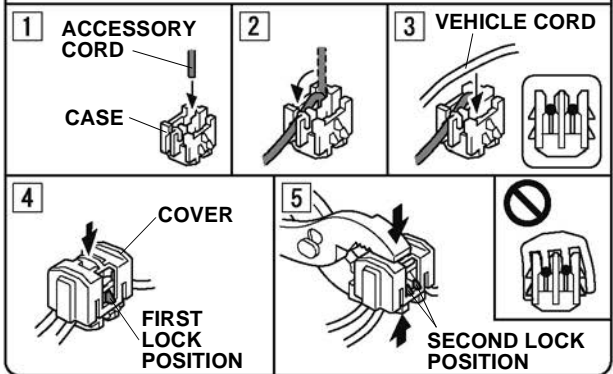
61. Connect the harness B cord.

NOTICE

- Make sure to correctly connect the cord.

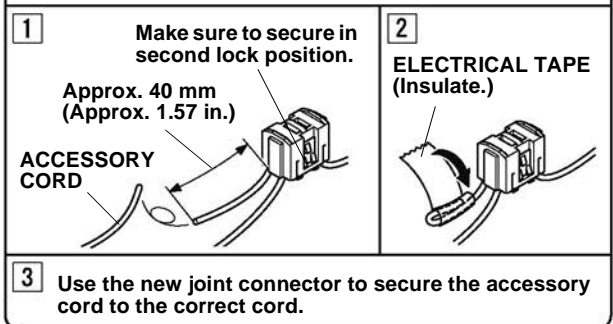


How to Use the Joint Connector



How to deal with the incorrectly secured joint connector.

Do not remove the secured joint connector once.

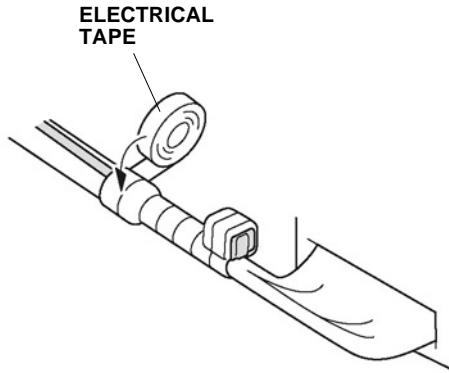


QM82205AA

62. Secure the harness B cord.

NOTICE

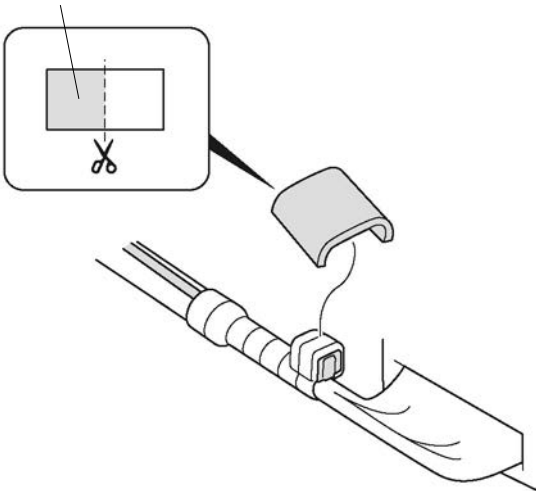
- Wrap the electrical tape around the tubes and tapes of the vehicle harness.



QG91809AB

63. Attach the urethane tape.

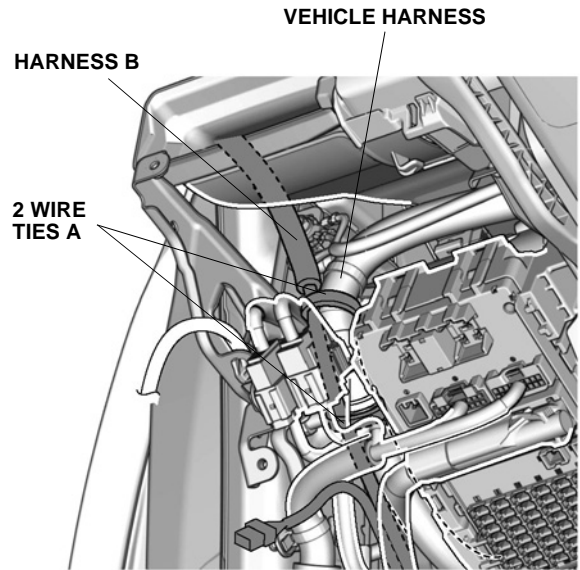
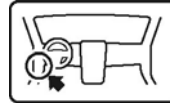
URETHANE TAPE
(Cut in half.)



QHN2002AA

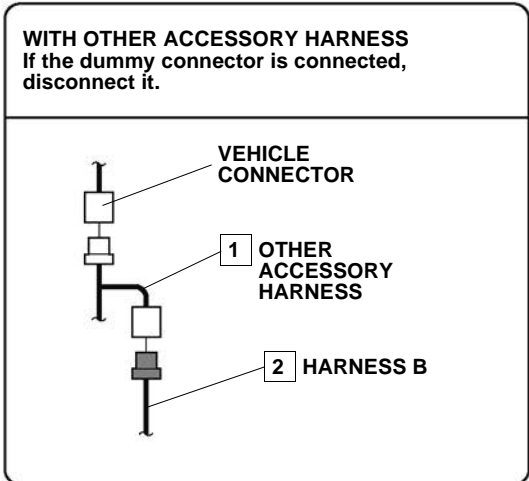
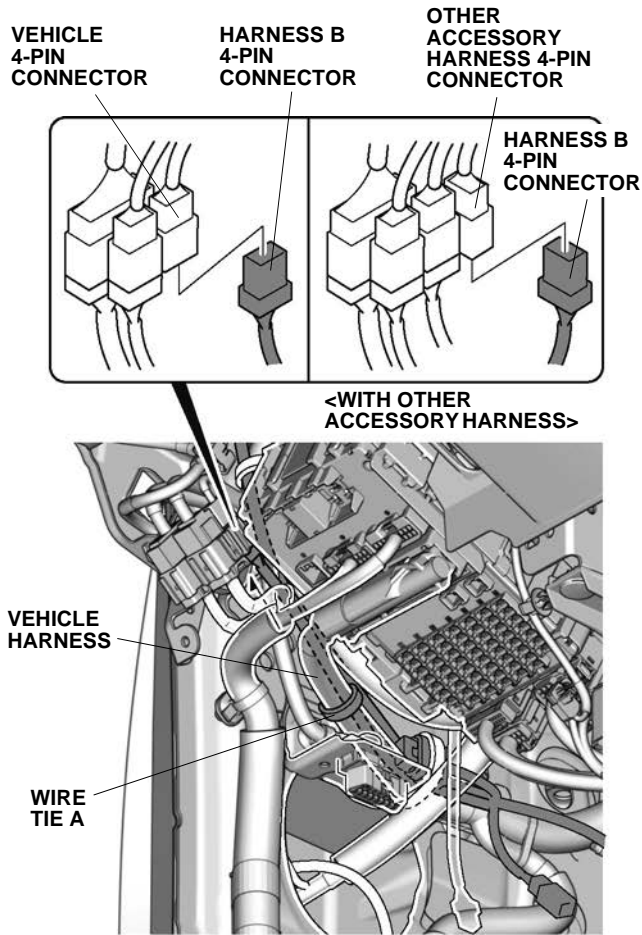
64. Reconnect the vehicle connector.

65. Secure the harness B.



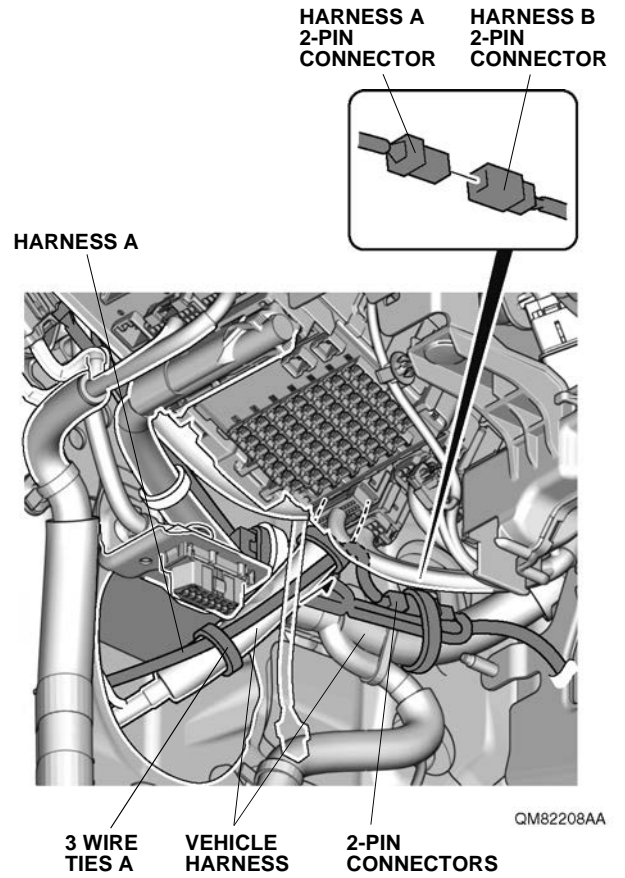
QM82206AA

- 66. Connect the harness B connector.
- 67. Secure the harness B.

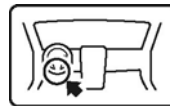


QM82207AA

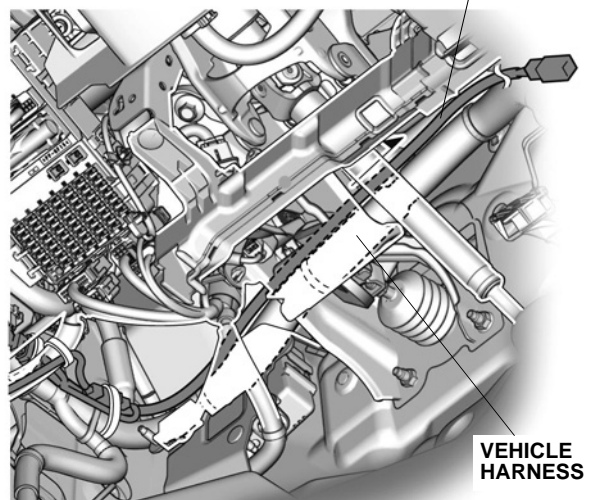
- 68. Connect the harness A connector.
- 69. Secure the harness A, harness B, and connectors.



- 70. Route the harness B.

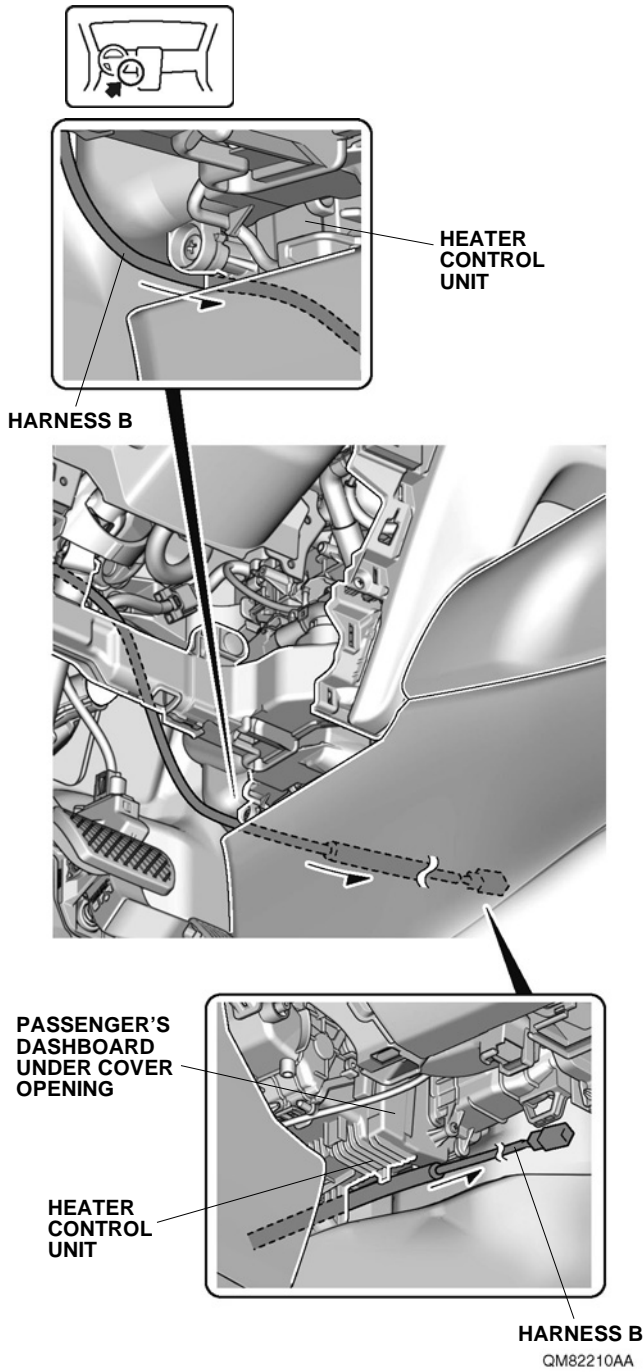


HARNESS B
(Route along the vehicle harness.)

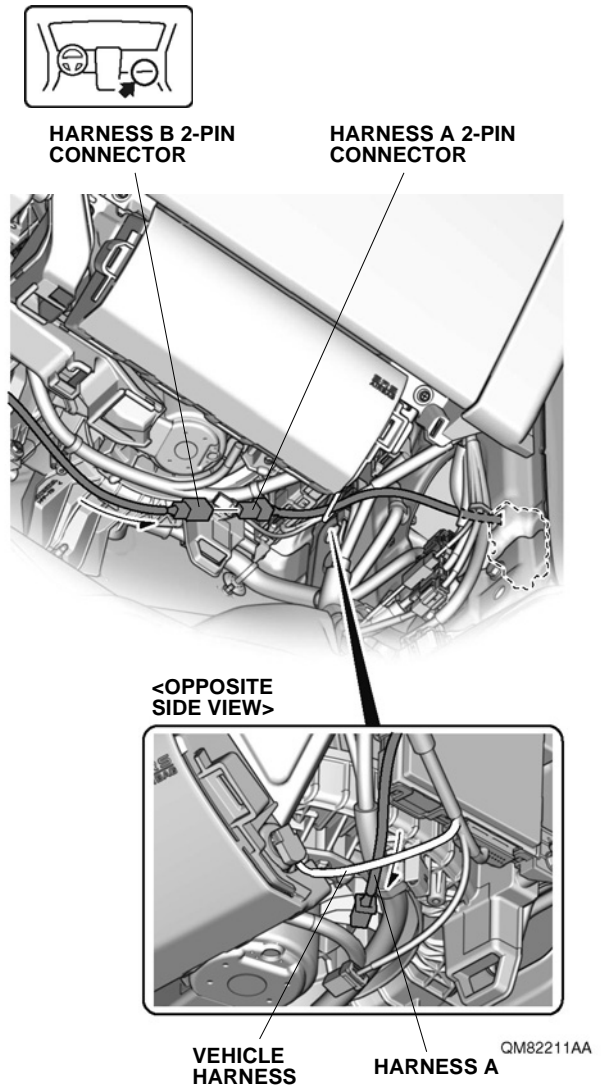


QM02601AA

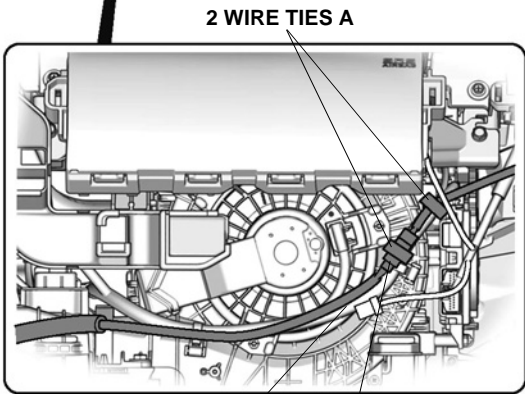
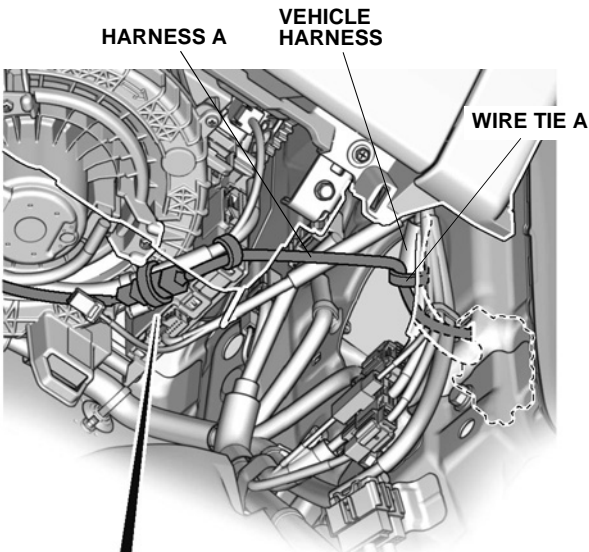
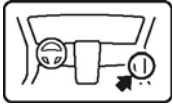
71. Route the harness B.



72. Connect the harness A connector.

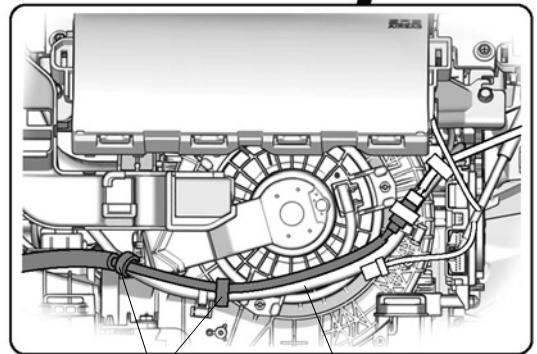
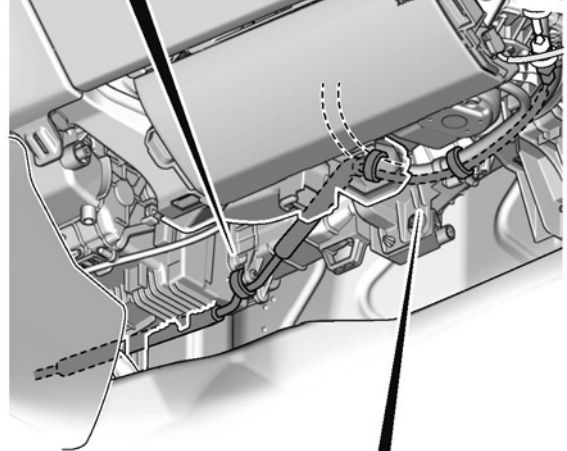
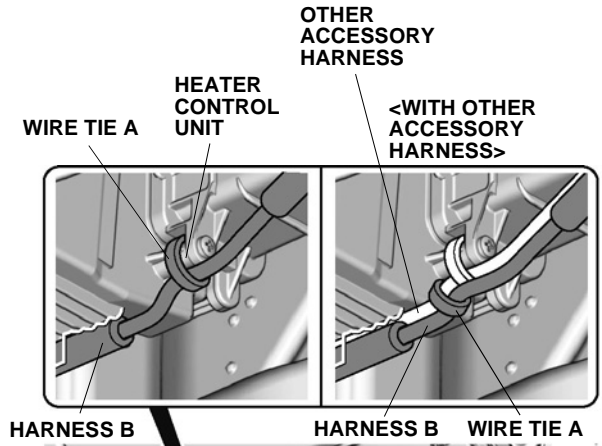
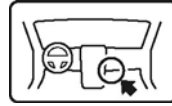


73. Secure the harness A and connectors.



VEHICLE HARNESS 2-PIN CONNECTORS QM82301AA

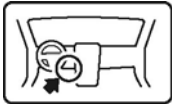
74. Secure the harness B.



75. Secure the harness B.

NOTICE

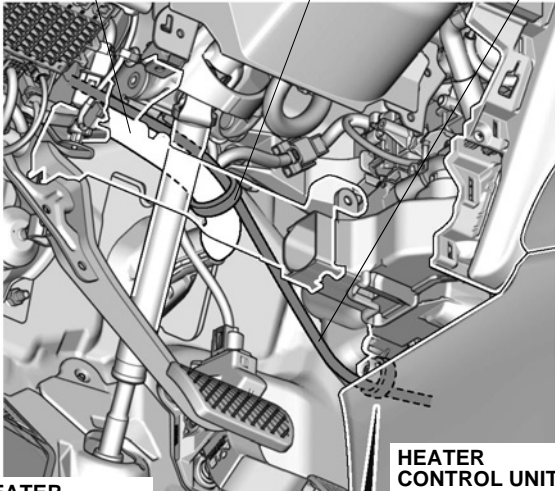
- Be careful not to damage the vehicle harness.



VEHICLE HARNESS

WIRE TIE A

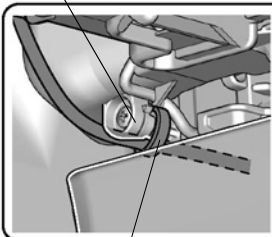
HARNESS B



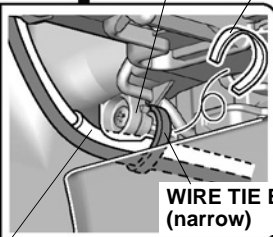
HEATER CONTROL UNIT

HEATER CONTROL UNIT

WIRE TIE



WIRE TIE B (narrow)



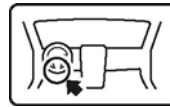
WIRE TIE B (narrow)

<WITH OTHER ACCESSORY HARNESS>

OTHER ACCESSORY HARNESS

QM82303BA

76. Secure the harness B.



<SECTION VIEW>

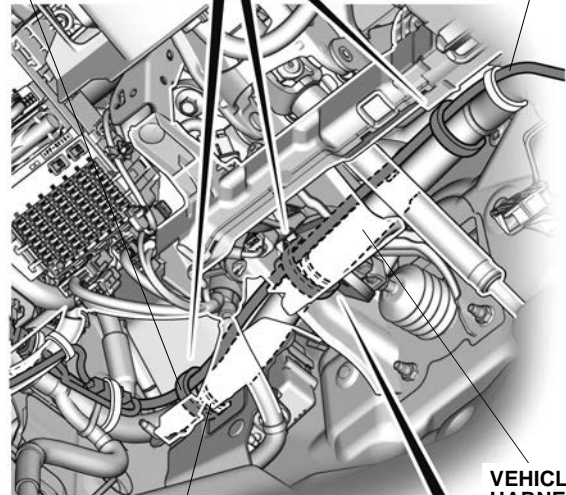
HARNESS B

VEHICLE HARNESS

WIRE TIE A

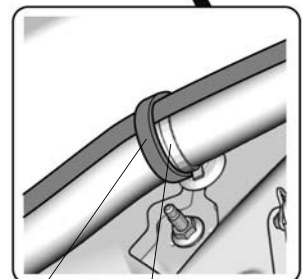
2 WIRE TIES A

HARNESS B



VEHICLE HARNESS

VEHICLE CLIP



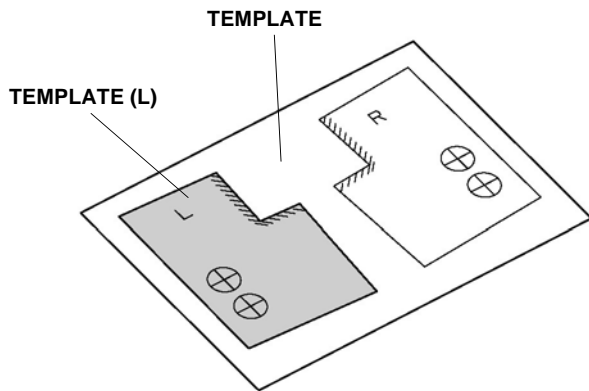
WIRE TIE A

VEHICLE CLIP

QM02602AA

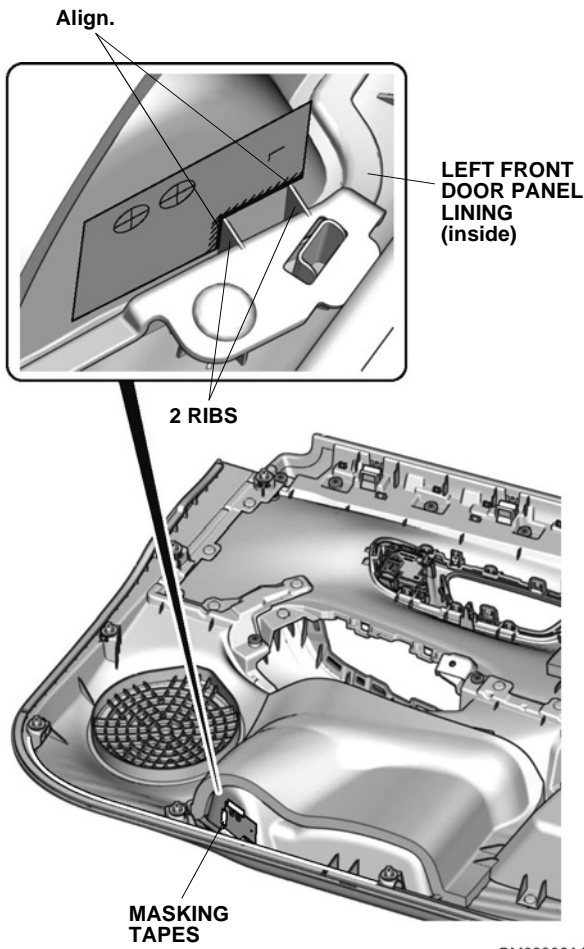
Installing the Light (LHD)

77. Cut the template.



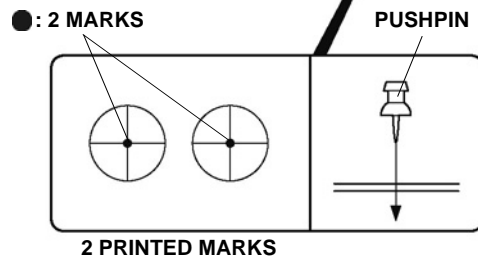
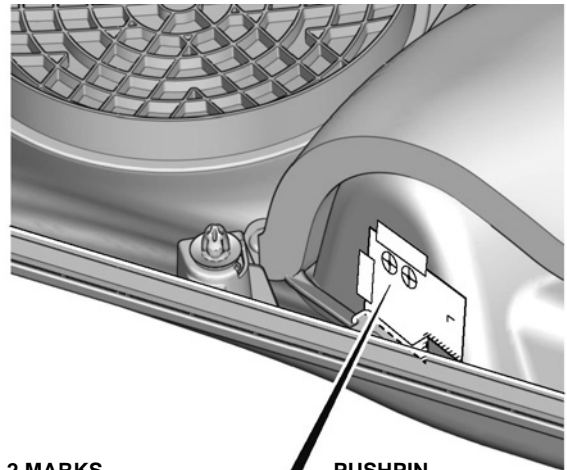
QM82305AA

78. Secure the template (L).



QM82306AA

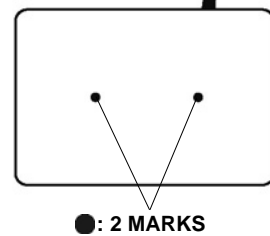
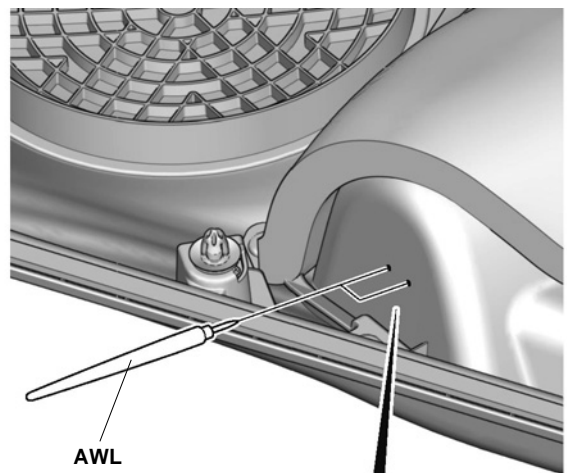
79. Pierce the left front door panel lining.



QM82307AA

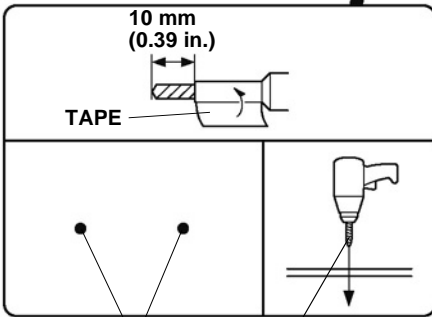
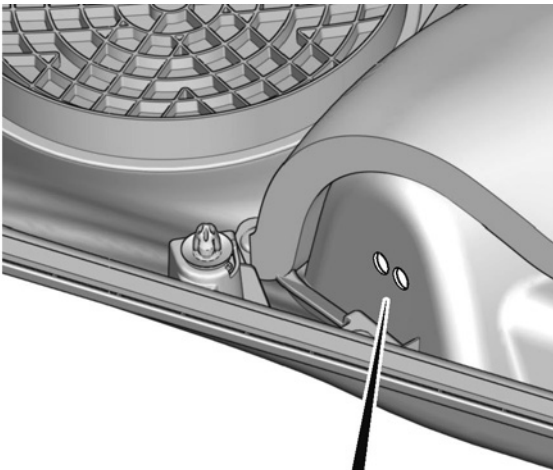
80. Remove the template (L).

81. Pierce the left front door panel lining.



QM82308AA

82. Drill the left front door panel lining.



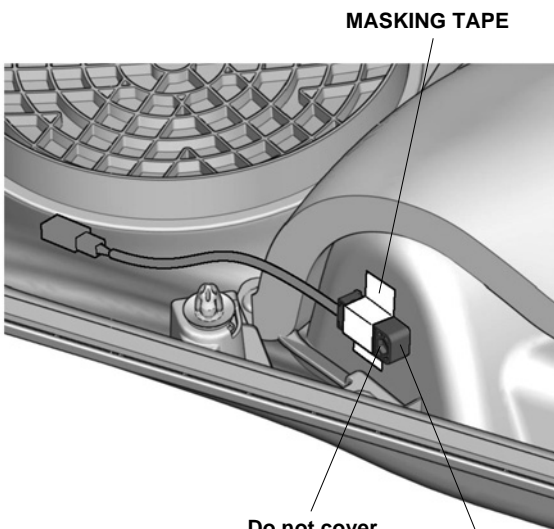
●: 2 HOLES

DRILL BITS
6 mm →
8 mm

QM82309AA



83. Loosely install the light.

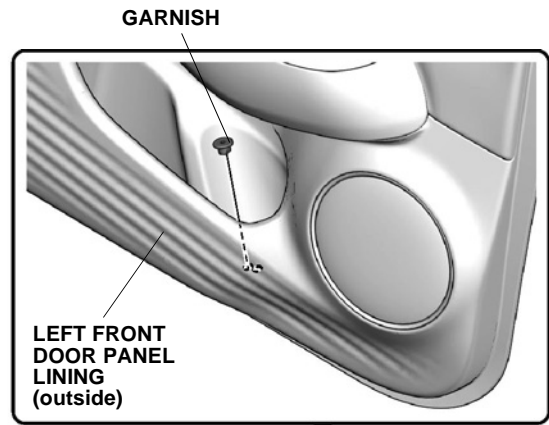


Do not cover
the hole.

LIGHT

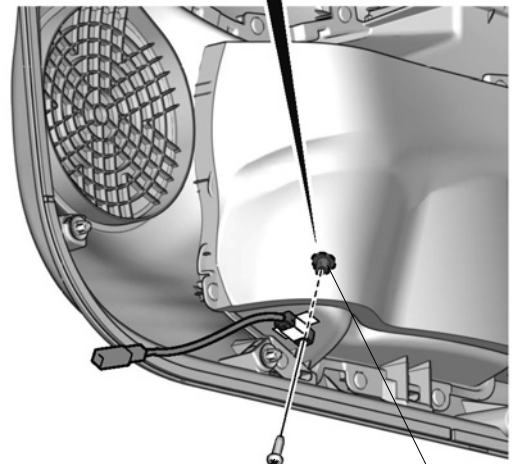
QM82310AA

84. Secure the light and garnish.



LEFT FRONT
DOOR PANEL
LINING
(outside)

<OPPOSITE SIDE VIEW>



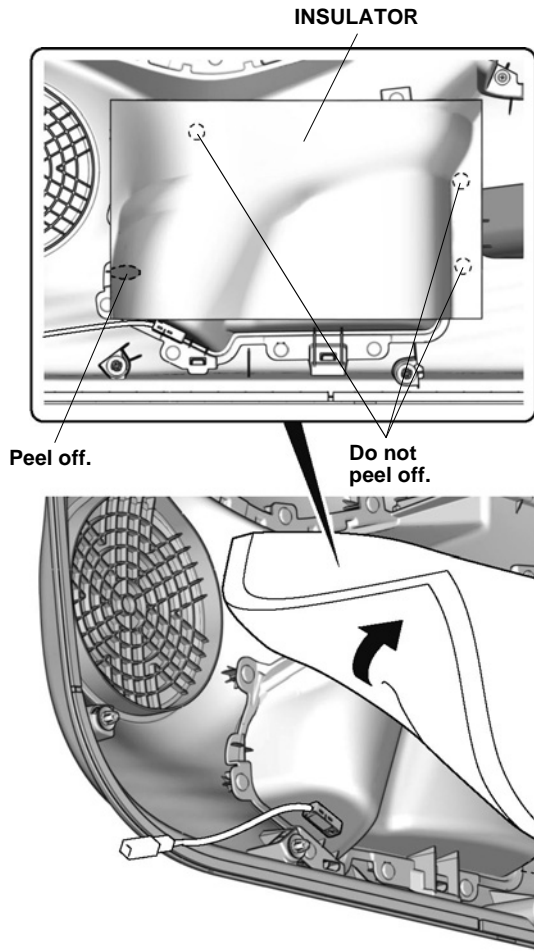
SELF-TAPPING
SCREW

GARNISH

QM82311AA

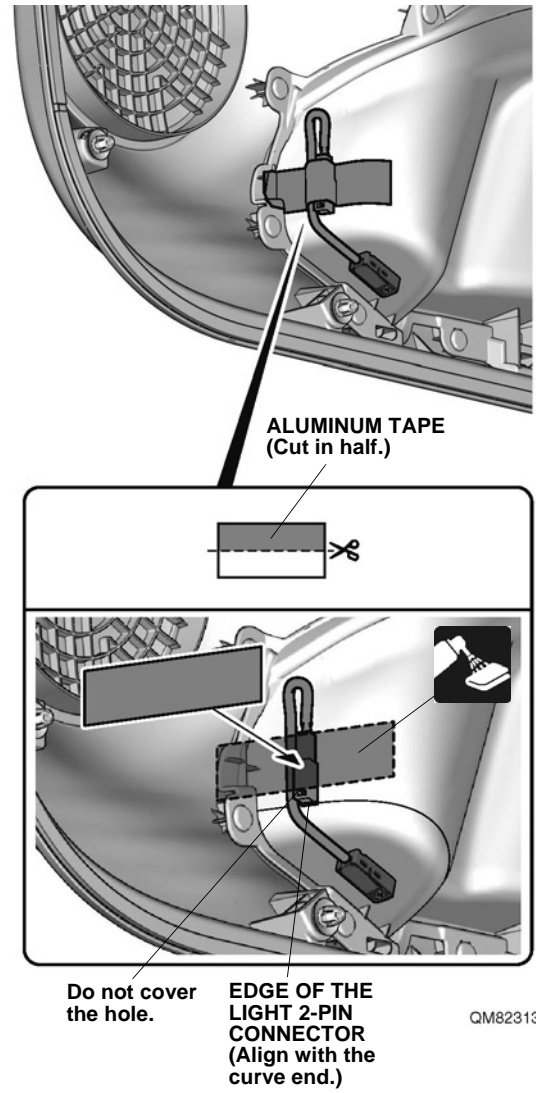
85. Remove the masking tape.

86. Peel the insulator.



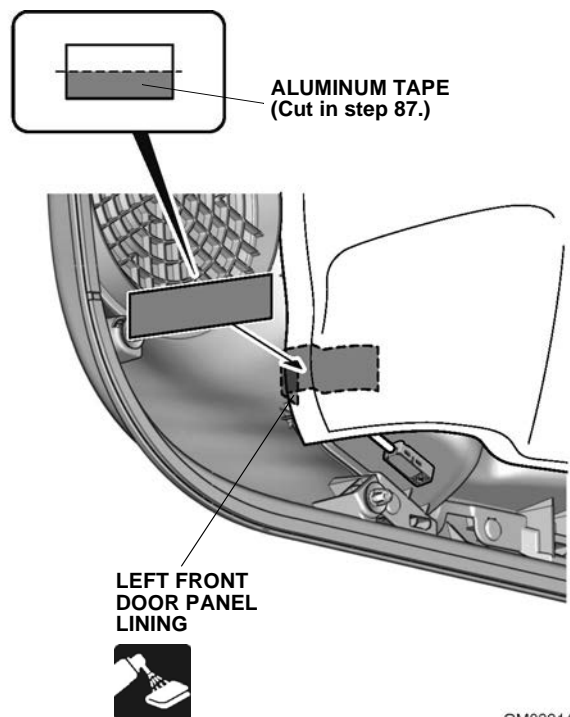
QM82312AA

87. Secure the light cord and connector.



QM82313AA

88. Secure the insulator.

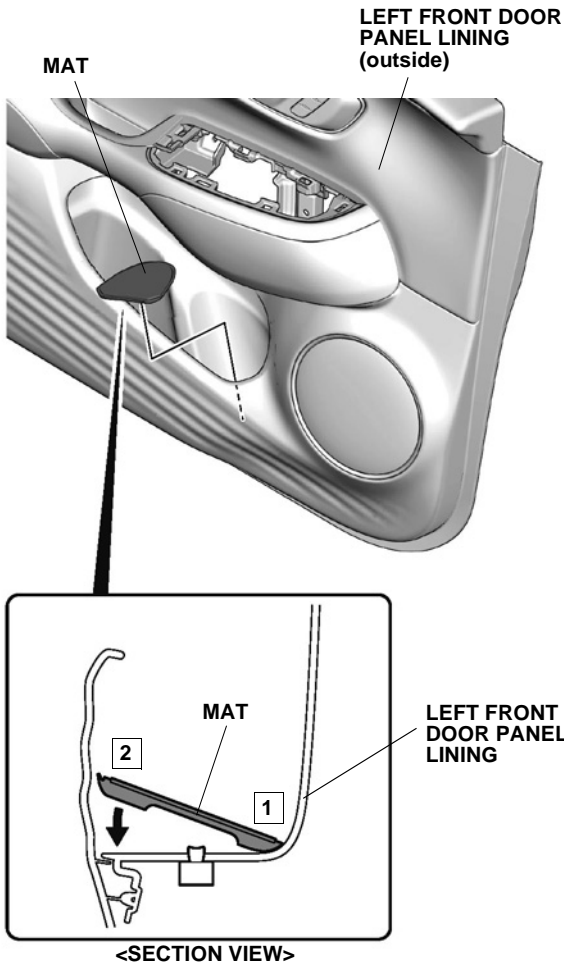


QM82314AA

89. Install the mat.

NOTICE

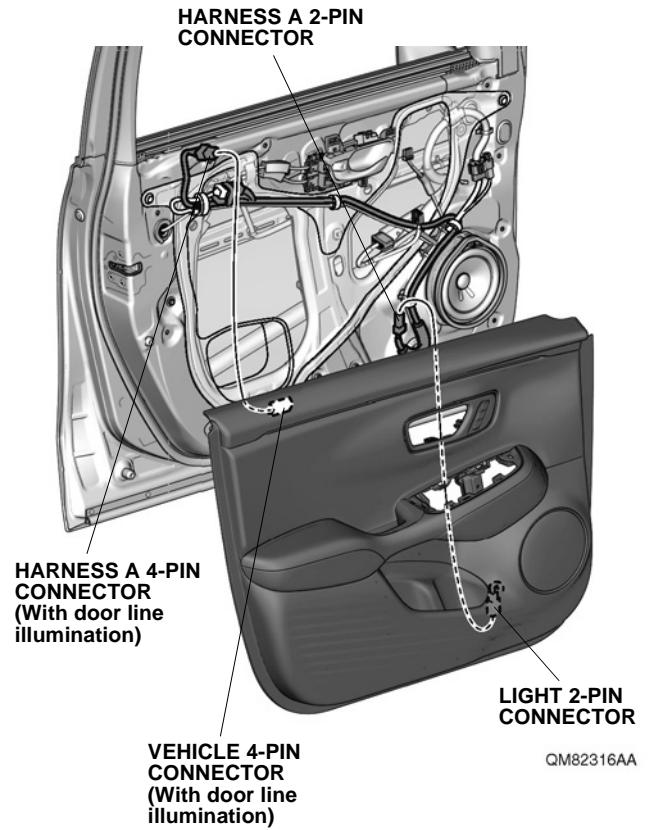
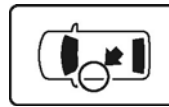
- Install in the order shown.



QM82315AA

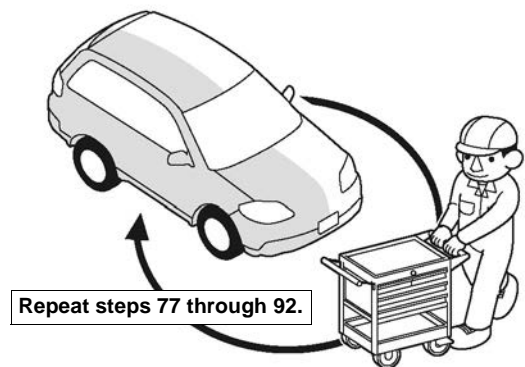
90. Reinstall the left front door speaker. (Without door line illumination)

91. Connect the harness A connectors.



92. Reinstall the left front door panel lining.

93. Using the template (R), repeat the same procedures on the other side.



Q9D1014AM

To step 193

Removing the Vehicle Parts (RHD)

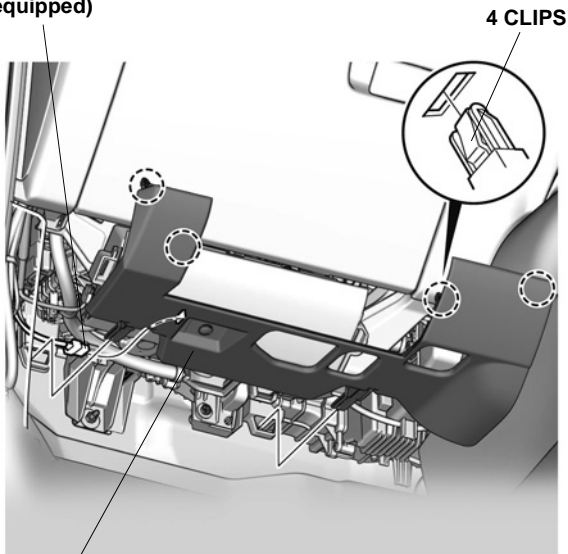
94. Follow the below guidance.

- | | |
|----------------------------------|-------------|
| • Without door line illumination | To step 95 |
| • With door line illumination | To step 106 |

95. Remove the passenger's dashboard under cover.



VEHICLE CONNECTOR (if equipped)

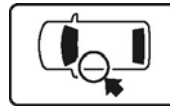


4 CLIPS

PASSENGER'S DASHBOARD UNDER COVER

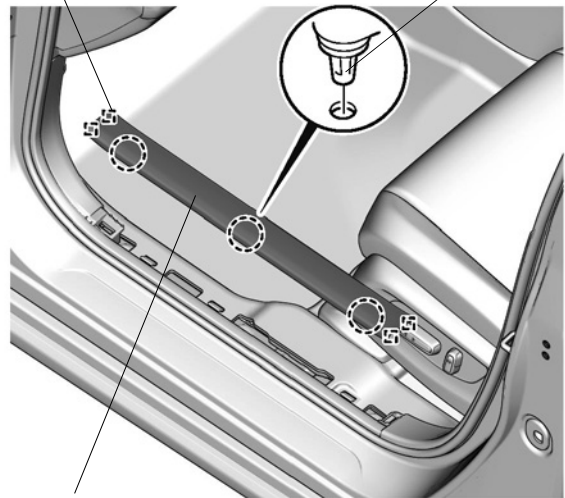
QM80402AG

96. Remove the left front side step garnish.



4 RETAINING TABS

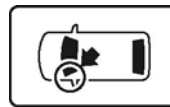
3 CLIPS



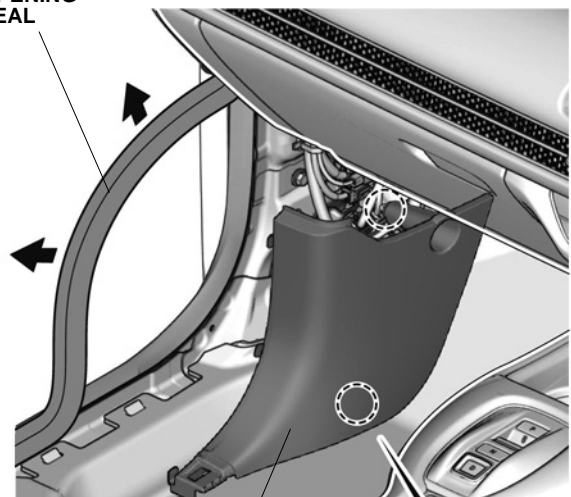
LEFT FRONT SIDE STEP GARNISH

QM11112AG

97. Remove the left kick panel.



DOOR OPENING SEAL

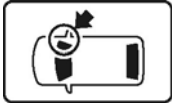


LEFT KICK PANEL

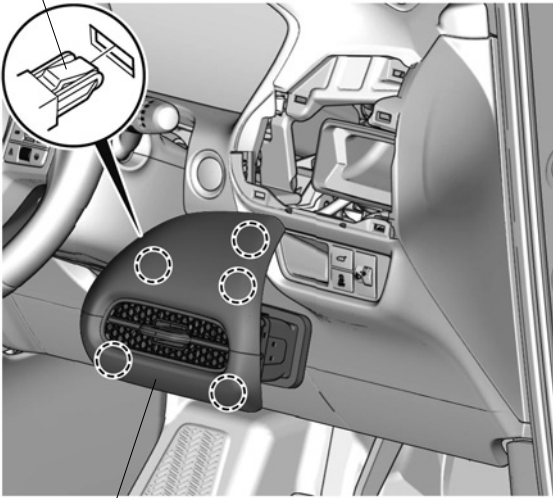
2 CLIPS

QM41402AG

98. Remove the driver's panel.



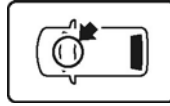
5 CLIPS



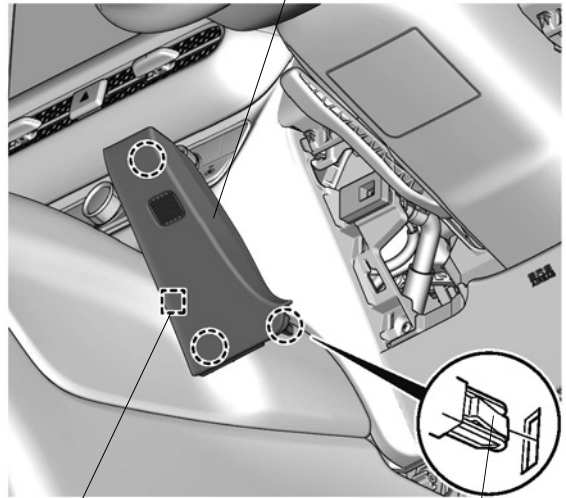
DRIVER'S
PANEL

QM80403AG

100. Remove the driver's inside lower cover.



DRIVER'S INSIDE
LOWER COVER



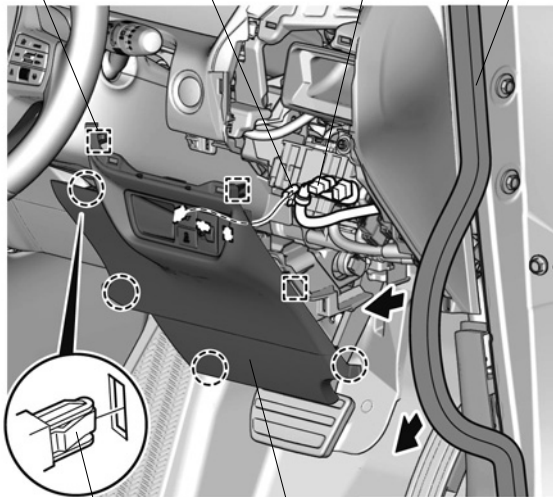
RETAINING
TAB

3 CLIPS

QM10605AG

99. Remove the driver's outside lower cover.

3 RETAINING
TABS VEHICLE
CLIP VEHICLE
CONNECTORS DOOR
OPENING
SEAL



4 CLIPS

DRIVER'S OUTSIDE
LOWER COVER

QM80404BG

101. Adjust the tilt of the steering column to its highest position. Then bring the telescope position to all the way out.

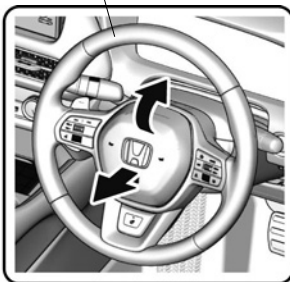
102. Remove the driver's knee airbag.

⚠ CAUTION

- Work after leaving more than three minutes after disconnecting the negative cable from the battery.
- Do not drop the removed airbag or hit it on an object.
- Place the removed airbag on a safe place with the pad surface (top) facing upward.

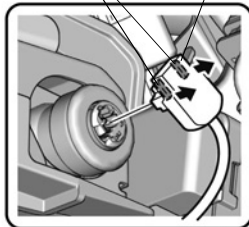


STEERING WHEEL



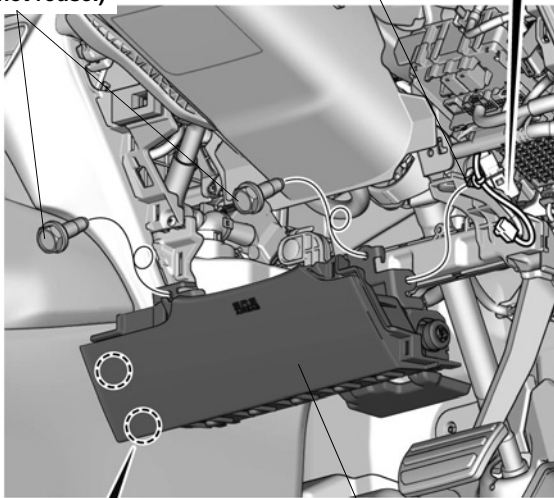
2 RETAINING TABS

VEHICLE CONNECTOR



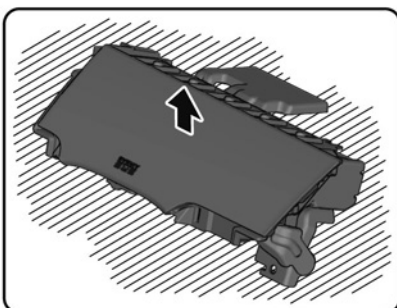
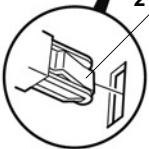
2 BOLTS
(Do not reuse.)

VEHICLE CLIP

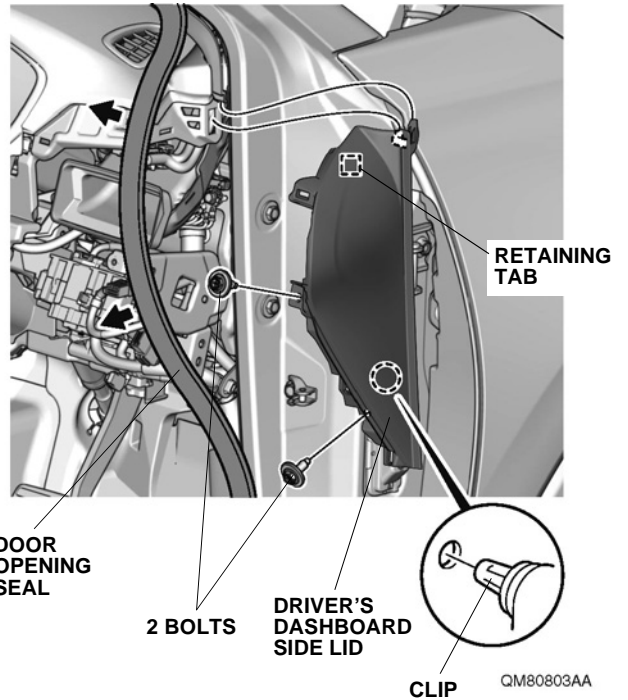


2 CLIPS

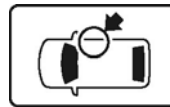
DRIVER'S KNEE AIRBAG



103. Remove the driver's dashboard side lid.

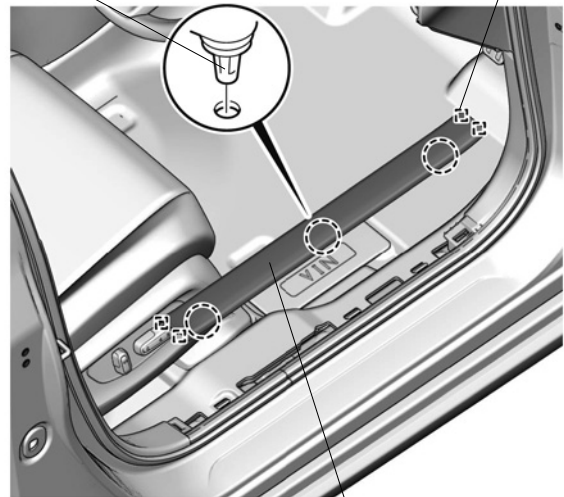


104. Remove the right front side step garnish.



3 CLIPS

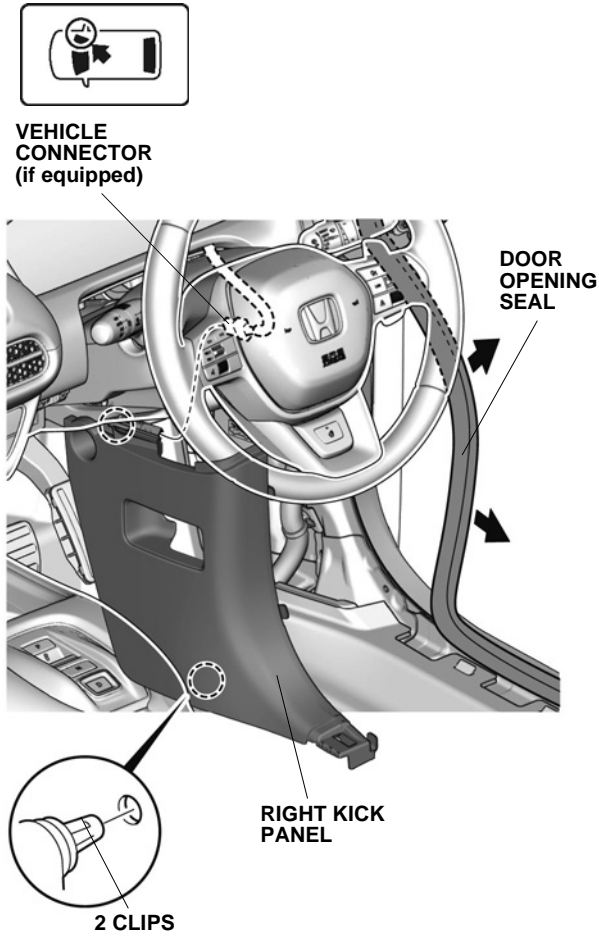
4 RETAINING TABS



RIGHT FRONT SIDE STEP GARNISH

QM80406AG

105. Remove the right kick panel.

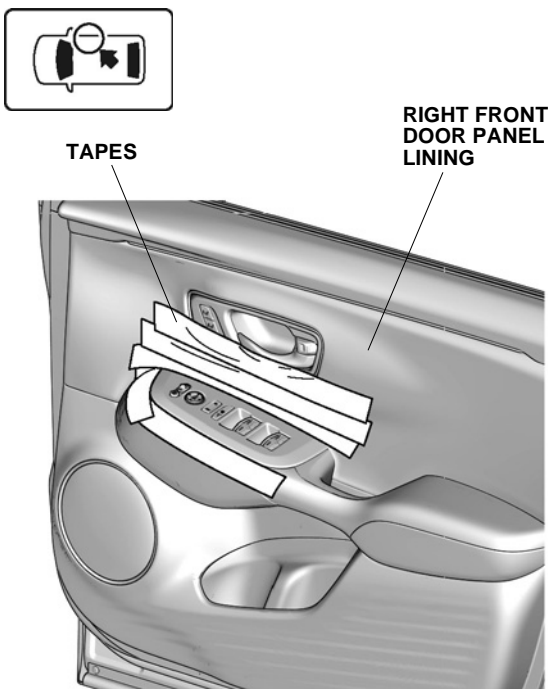


QM80407AG

106. Attach the tapes to protect the vehicle.

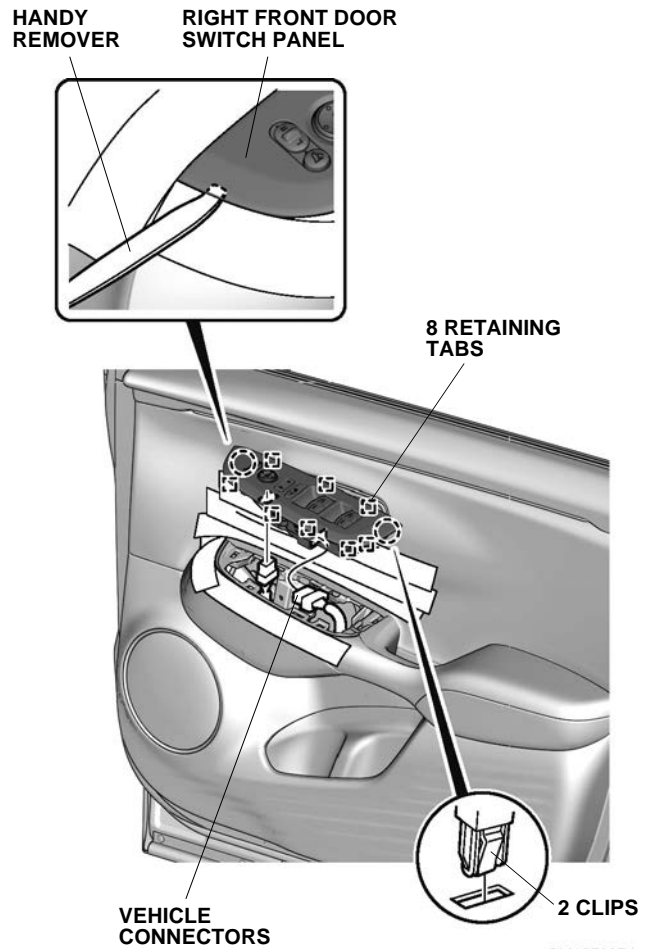
NOTICE

- Do not remove the tapes until after the reinstallation.



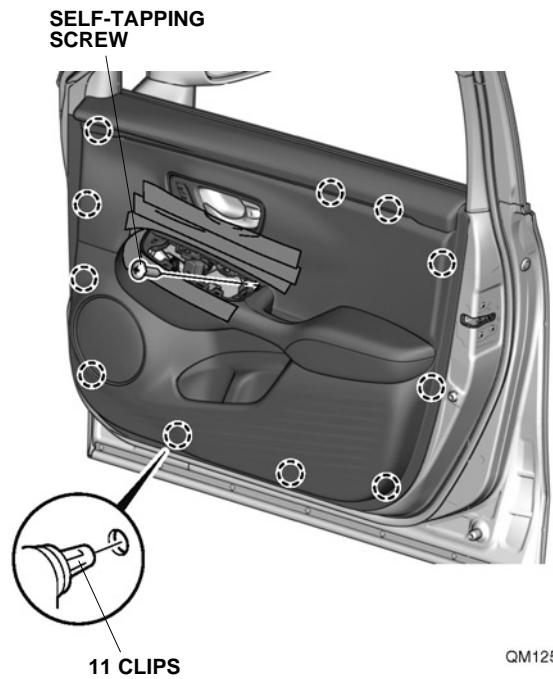
QM12501BA

107. Remove the right front door switch panel.



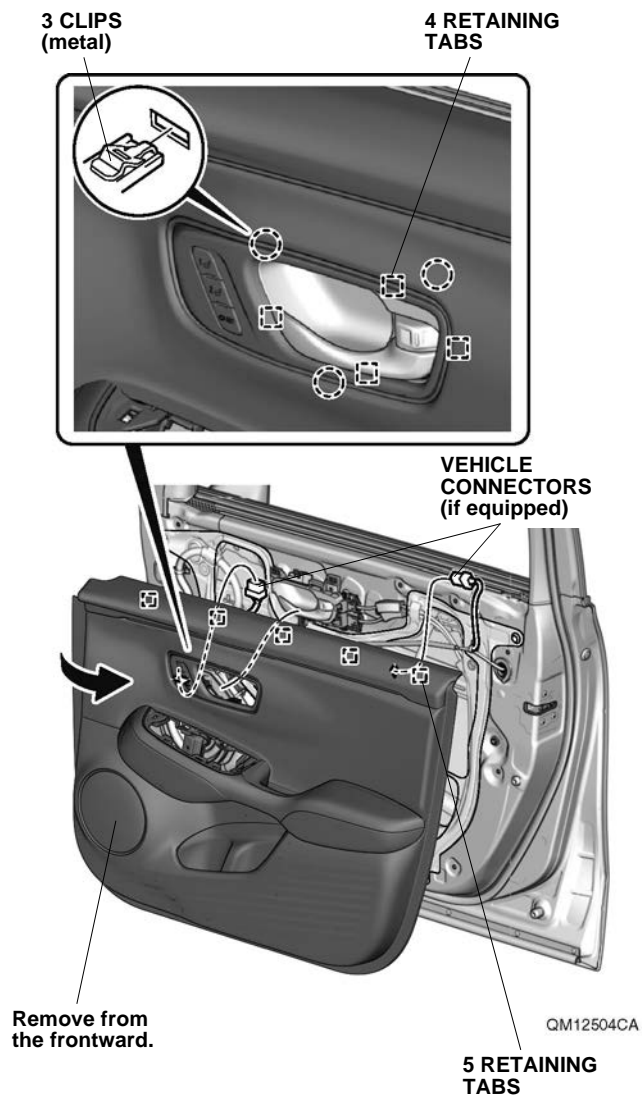
QM12502BA

108. Release the right front door panel lining.



QM12503BA

109. Remove the right front door panel lining.

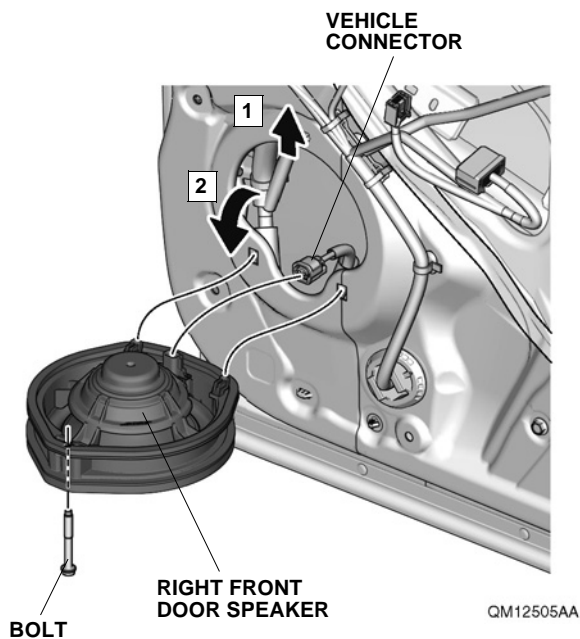


110. Follow the below guidance.

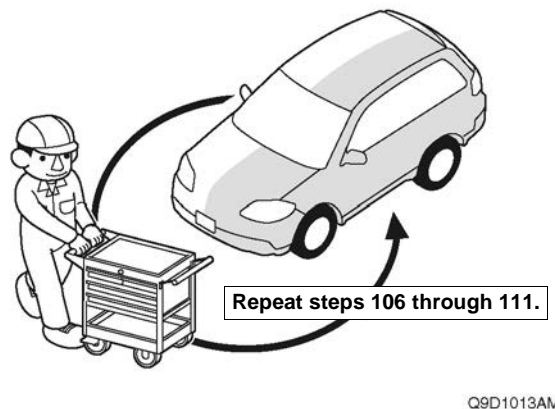
- | | |
|----------------------------------|-------------|
| • Without door line illumination | To step 111 |
| • With door line illumination | To step 112 |

111. Remove the right front door speaker.

NOTICE
• Remove in the order shown.



112. Repeat the same procedures on the other side.

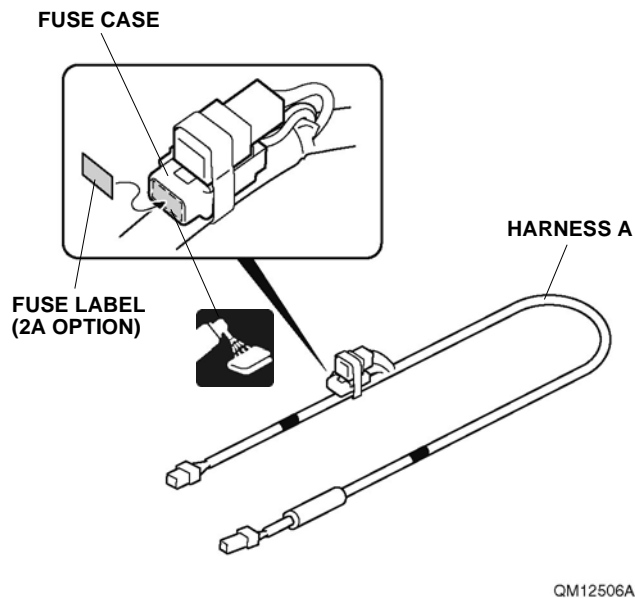


Routing the Harness A (RHD)

113. Follow the below guidance.

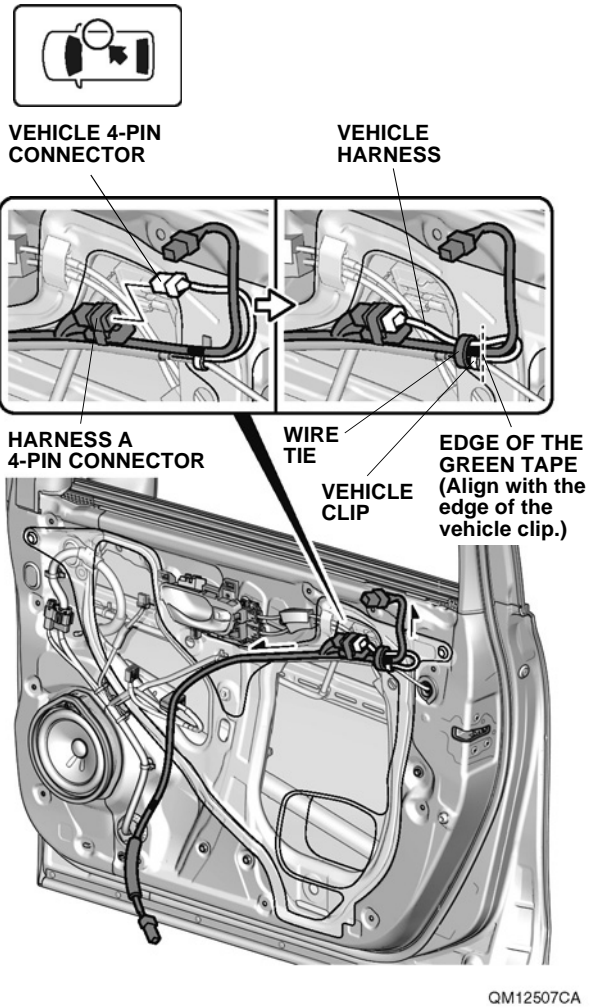
• With door line illumination	To step 114
• Without door line illumination	To step 119

114. Attach the fuse label.

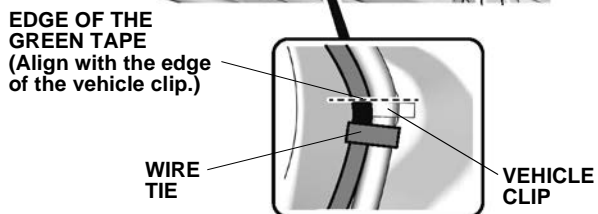
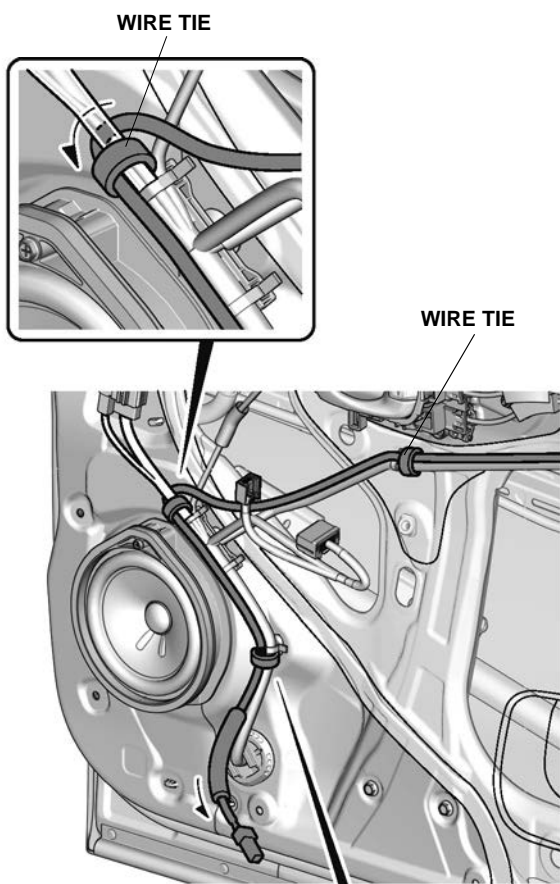


115. Connect the vehicle connector.

116. Secure the harness A and vehicle harness.

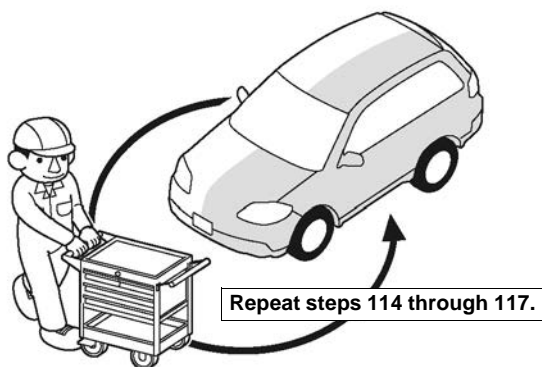


117. Secure the harness A.



QM12508CA

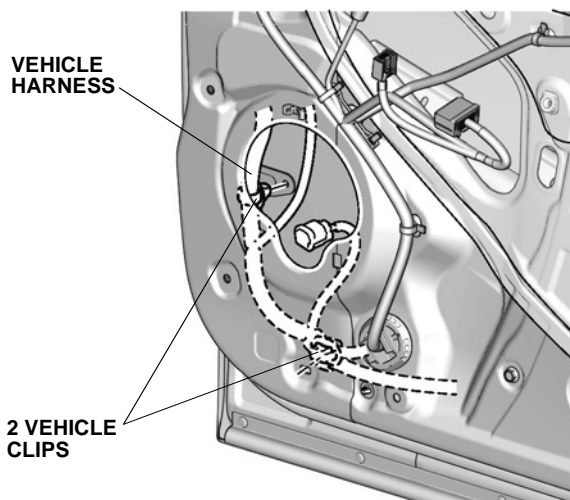
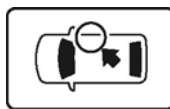
118. Repeat the same procedures on the other side.



Q9D1013AM

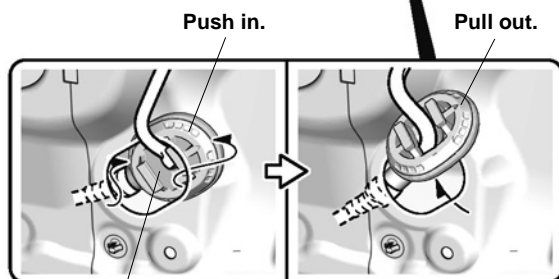
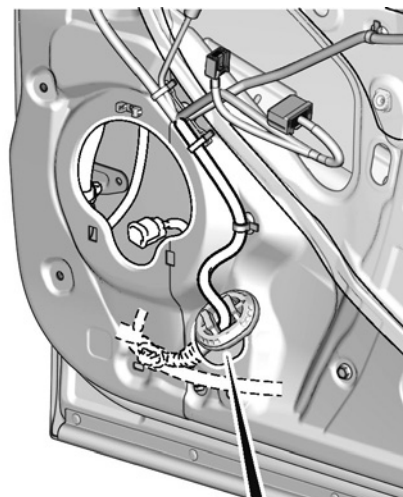
To step 176

119. Release the vehicle harness.



QM12509AA

120. Release the vehicle grommet.



VEHICLE GROMMET

QM12510AA

121. Cut the tape.

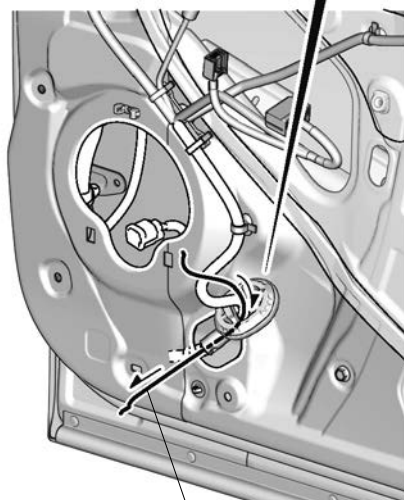
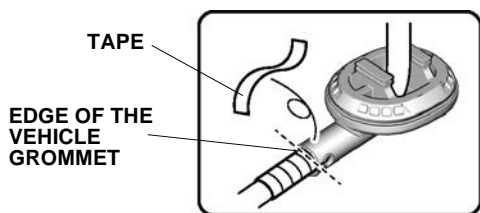
NOTICE

- Be careful not to damage the vehicle grommet and vehicle harness.

122. Route the steel wire.

NOTICE

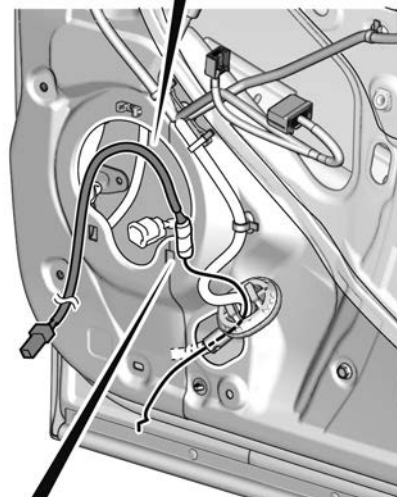
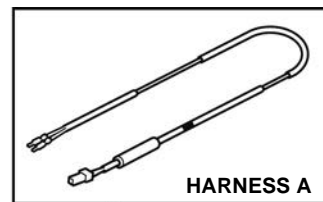
- Do not damage the vehicle grommet or the vehicle harness with the steel wire.



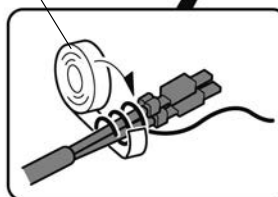
STEEL WIRE

QM12601AA

123. Attach the steel wire.



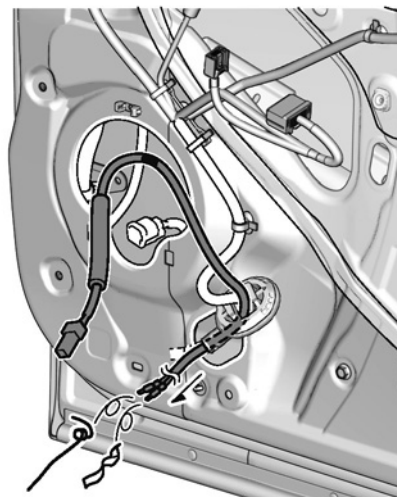
TAPE



QM80804BA

124. Route the harness A.

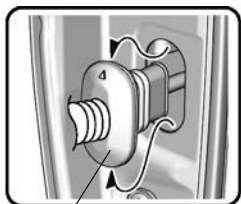
125. Remove the steel wire.



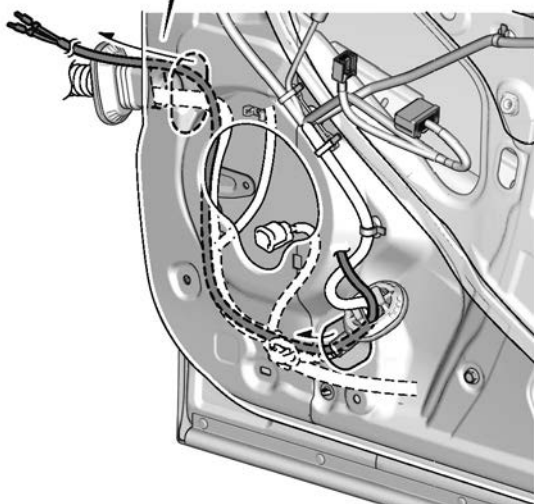
QM80805AA

- 126. Release the vehicle grommet.
- 127. Route the harness A.

<OPPOSITE SIDE VIEW>

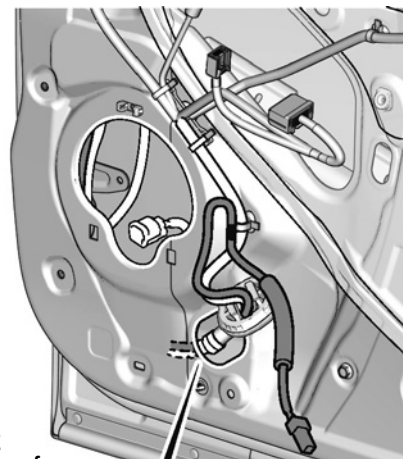


VEHICLE GROMMET



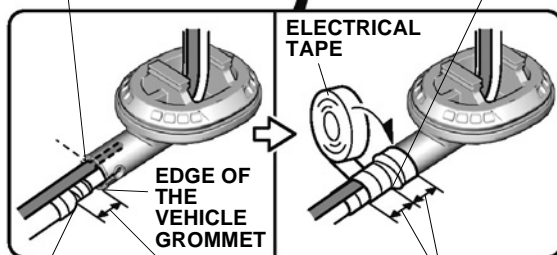
QM80806AA

- 128. Secure the harness A.



EDGE OF THE HARNESS A TUBE (Align with the edge of the vehicle grommet.)

EDGE OF THE VEHICLE GROMMET



EDGE OF THE VEHICLE HARNESS TUBE

20 mm (0.79 in.)

20 mm (0.79 in.)

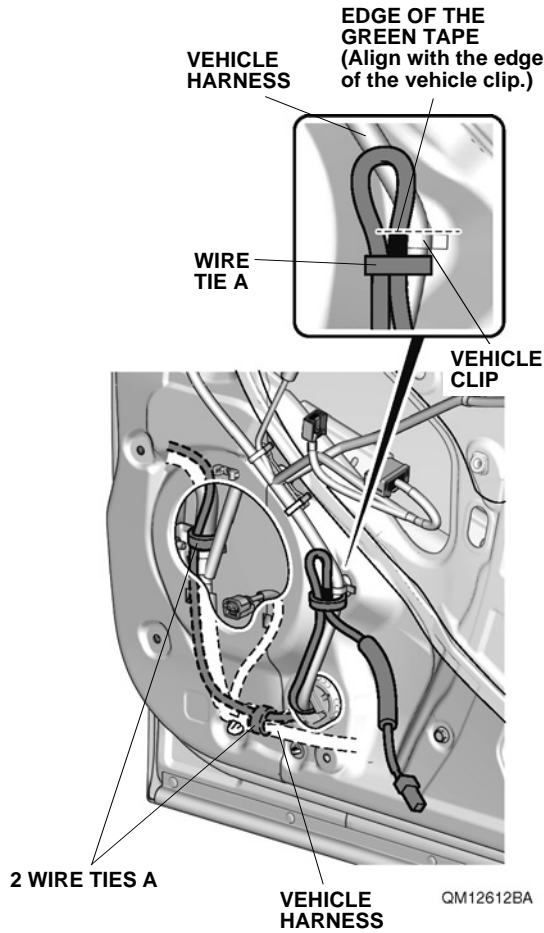
QM12611CA

- 129. Reinstall the vehicle grommet released in step 120.

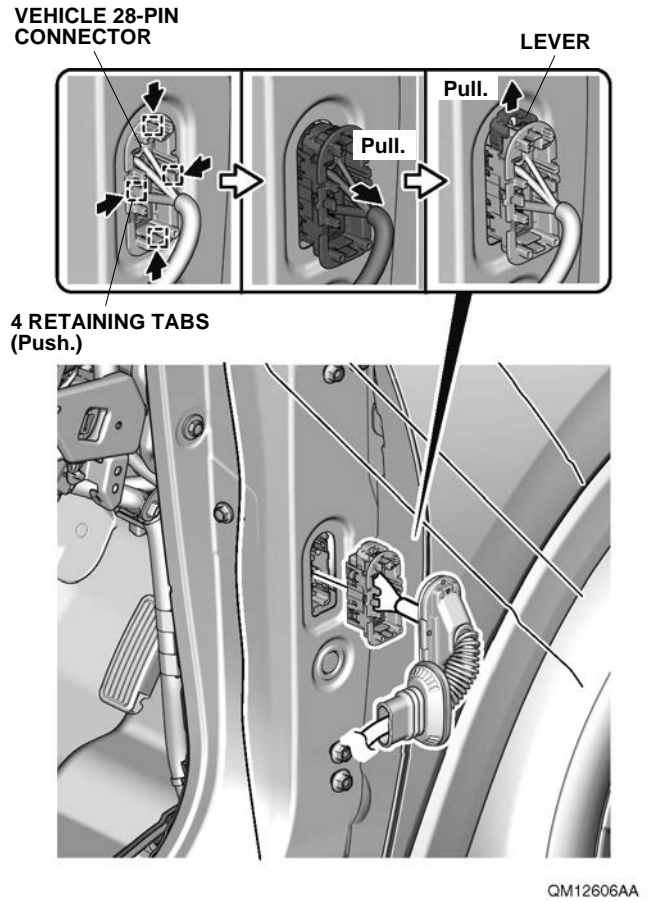
NOTICE
<ul style="list-style-type: none"> • Make sure to check that the grommet is secured properly.

- 130. Reinstall the vehicle harness.

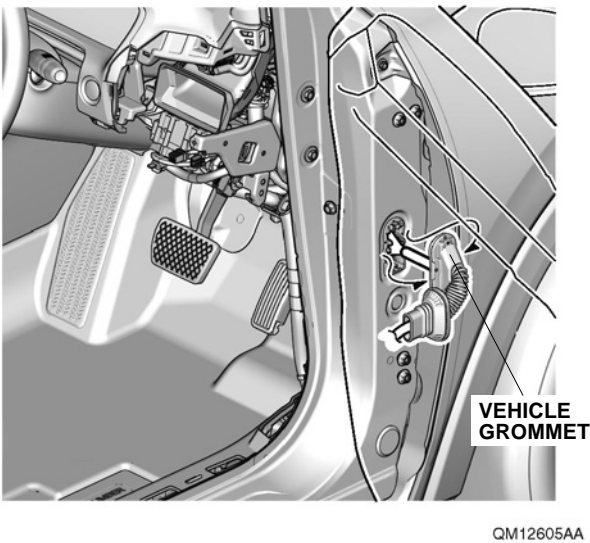
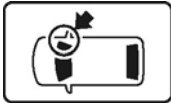
131. Secure the harness A.



133. Disconnect the vehicle connector.

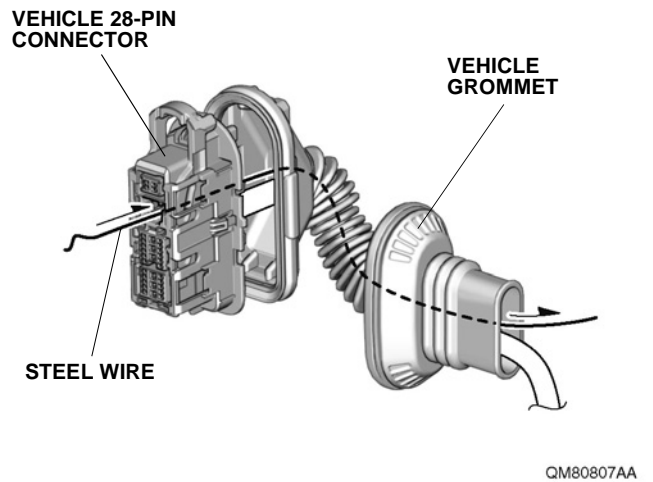


132. Release the vehicle grommet.

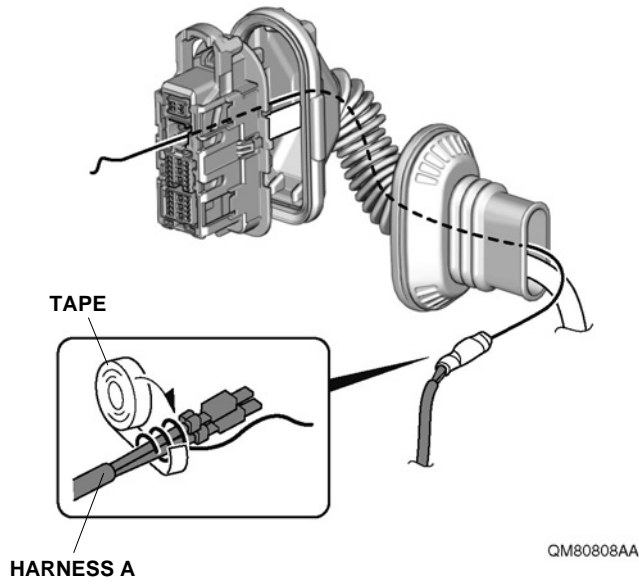


134. Route the steel wire.

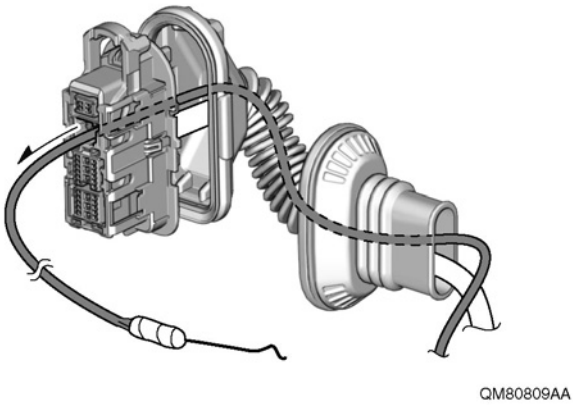
NOTICE
<ul style="list-style-type: none"> • Do not damage the vehicle grommet or the vehicle harness with the steel wire. • Make sure that the steel wire is not caught between the vehicle harness inside the vehicle grommet.



135. Attach the steel wire.

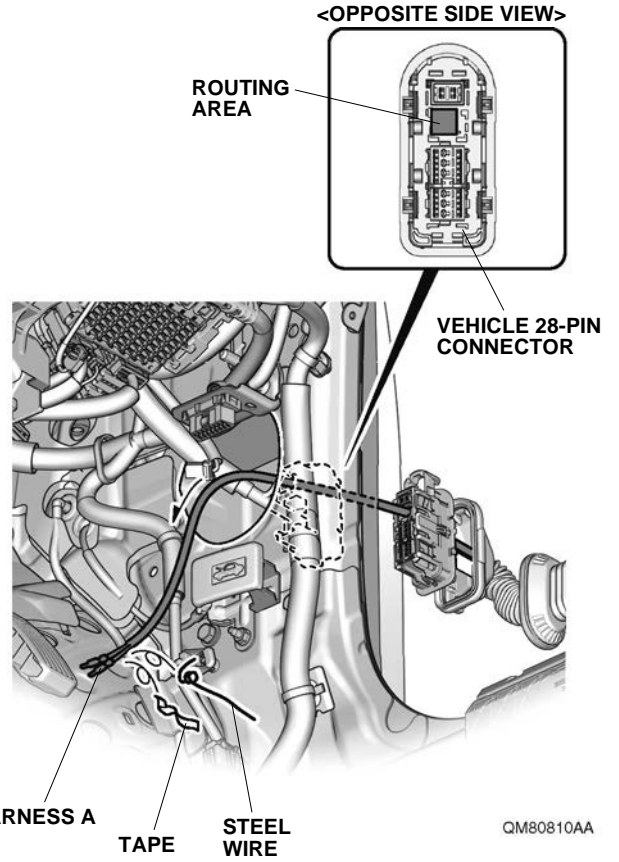
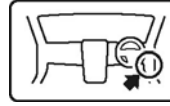


136. Route the harness A.



137. Route the harness A.

138. Remove the steel wire.



139. Reinstall the vehicle grommet released in step 126.

NOTICE

- Make sure to check that the grommet is secured properly.

140. Reinstall the vehicle grommet released in step 132.

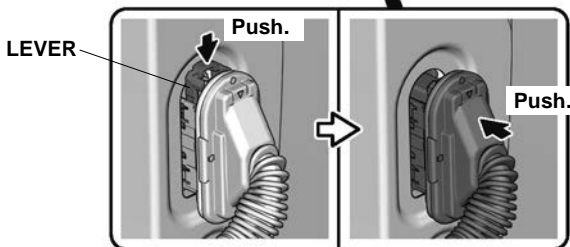
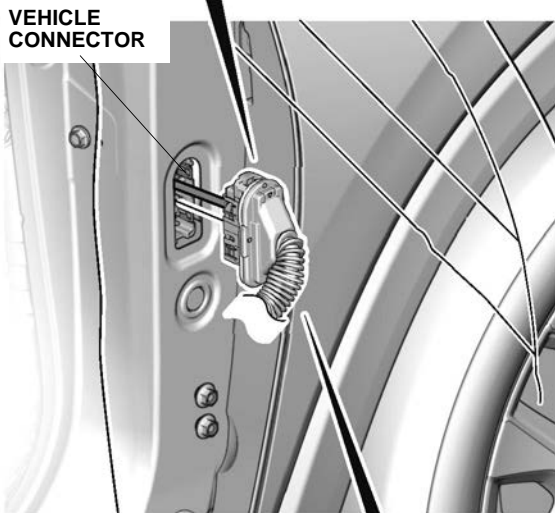
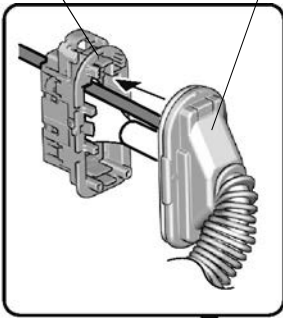
NOTICE

- Make sure to check that the grommet is secured properly.

141. Reconnect the vehicle connector.



VEHICLE CONNECTOR VEHICLE GROMMET

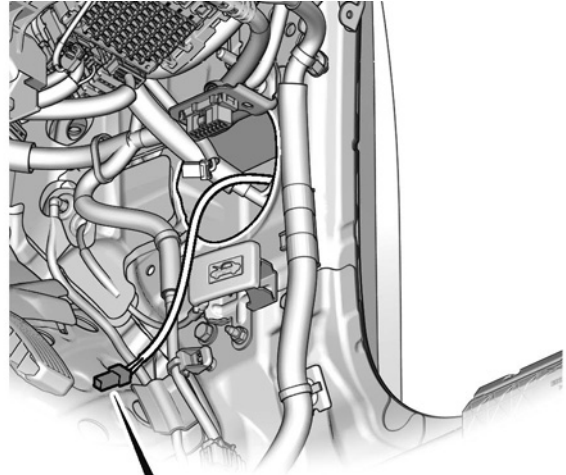
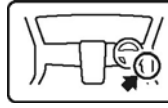


QM80811AA

142. Install the 2-pin connector.

NOTICE

- Make sure to insert the terminals in the correct position and orientation.
- Make sure to correctly insert the terminals.



<HARNES
SIDE VIEW>

RETAINER

2-PIN
CONNECTOR

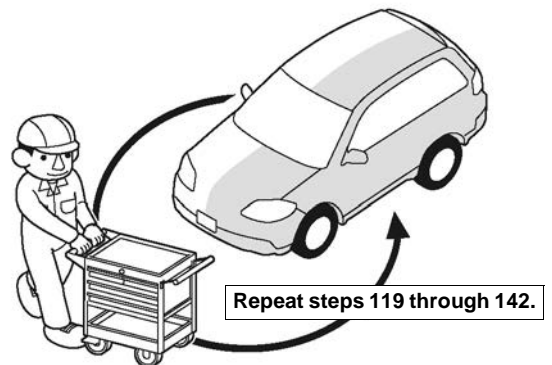
WHITE
CORD

RED
CORD

2 HARNESS A
TERMINALS
(Face the caulking
upward.)

QM80812AA

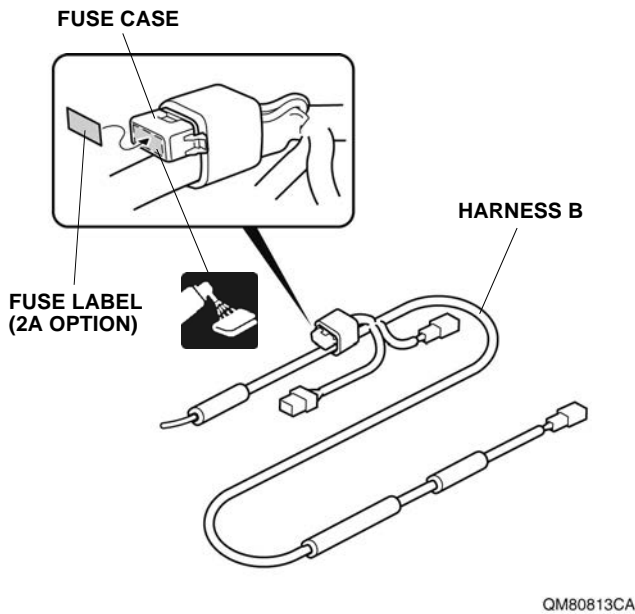
143. Repeat the same procedures on the other side.



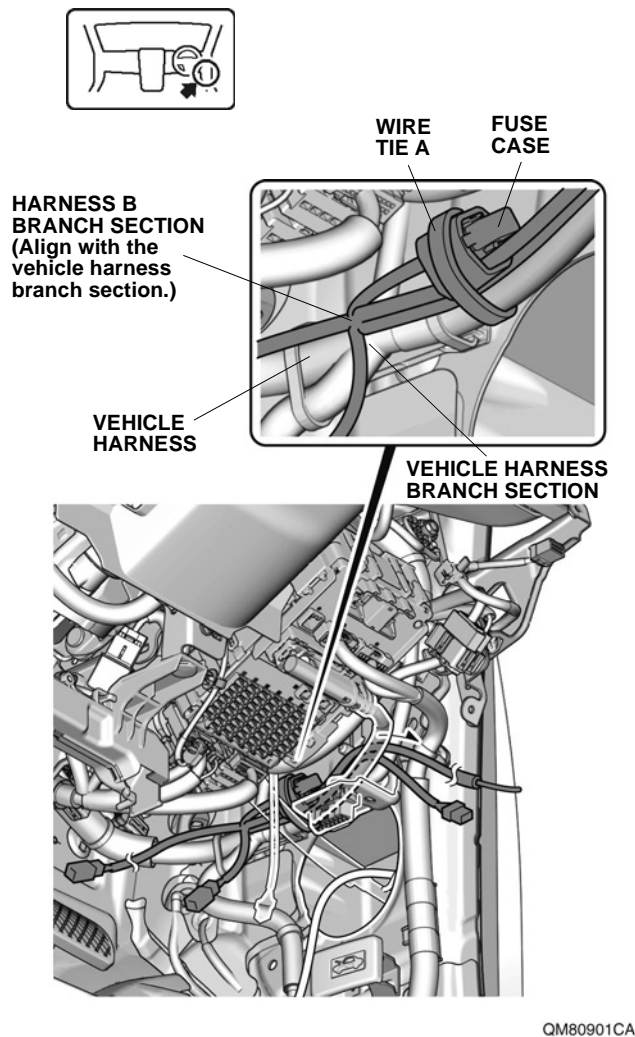
Q9D1013AM

Routing the Harness B (RHD)

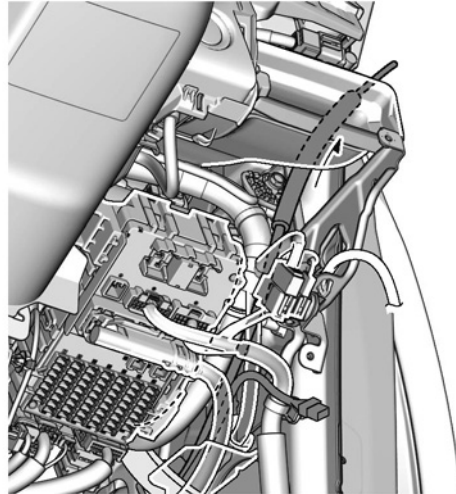
144. Attach the fuse label.



145. Secure the harness B and fuse case.



146. Route the harness B.

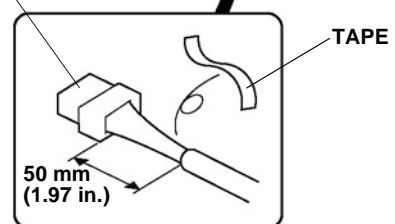
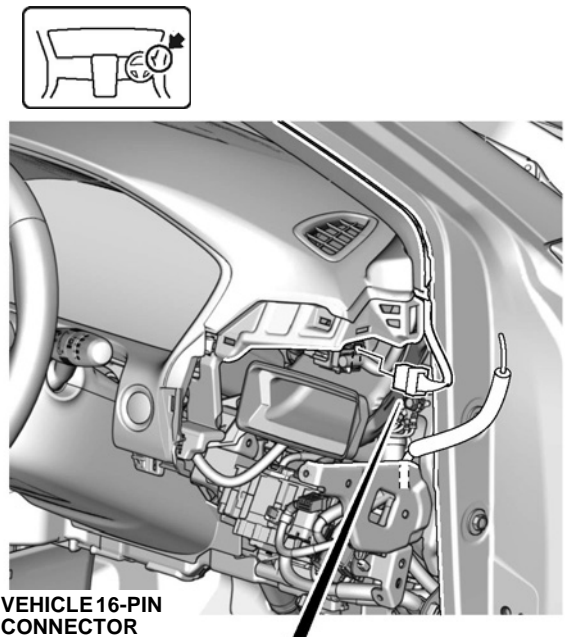


147. Disconnect the vehicle connector.

148. Cut the tape.

NOTICE

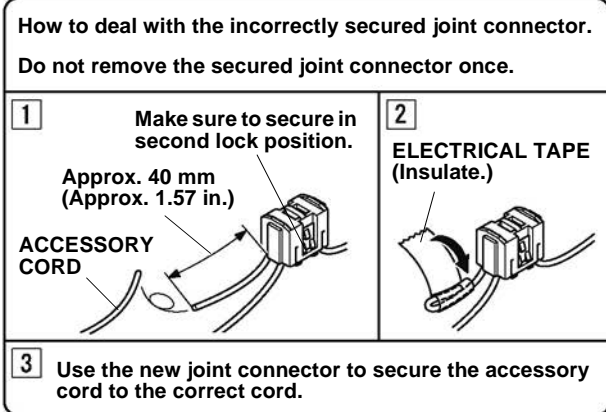
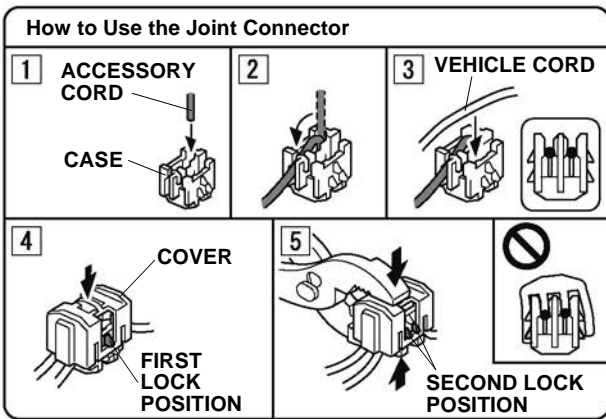
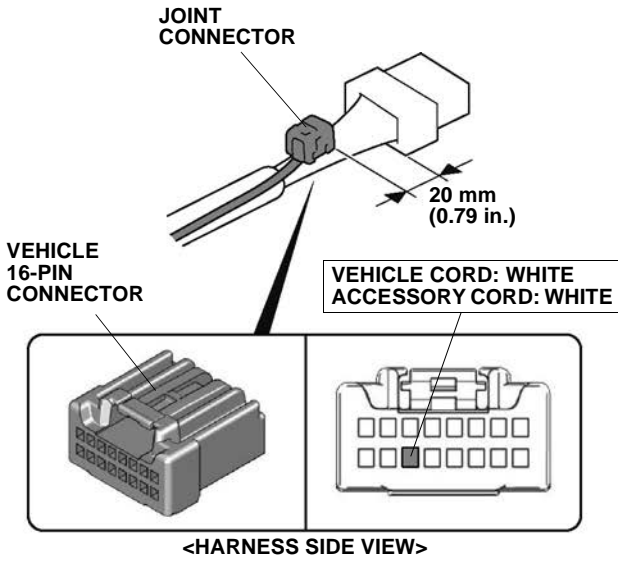
- Be careful not to damage the vehicle harness.



149. Connect the harness B cord.

NOTICE

- Make sure to correctly connect the cord.

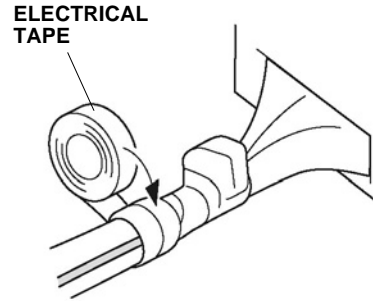


QM12806AA

150. Secure the harness B cord.

NOTICE

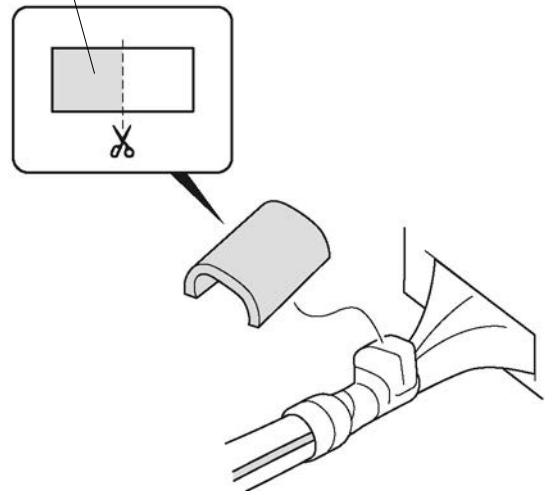
- Wrap the electrical tape around the tube and tape of the vehicle harness.



QG91822AB

151. Attach the urethane tape.

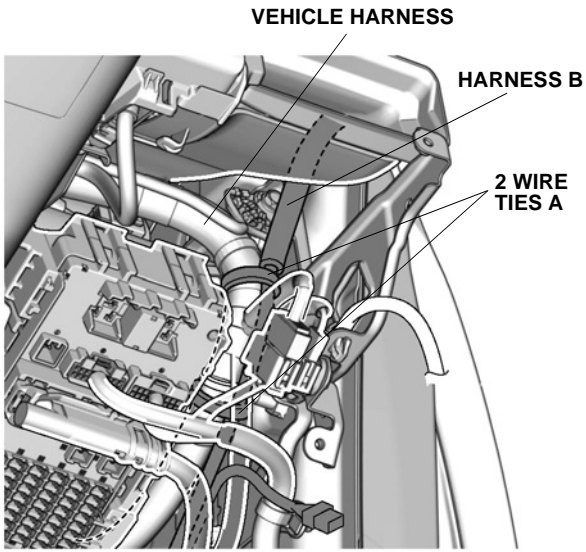
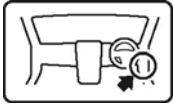
URETHANE TAPE (Cut in half.)



QGN1716AA

152. Reconnect the vehicle connector.

153. Secure the harness B.

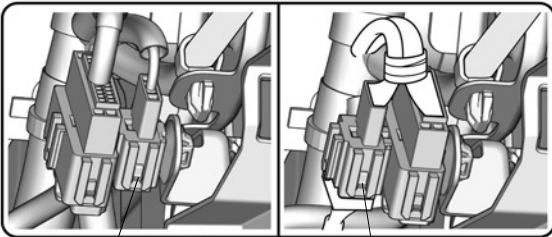


QM80904BA

154. Locate the vehicle connector.

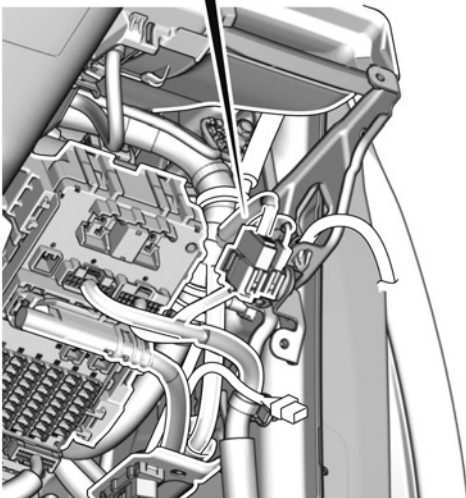
<VEHICLE 4-PIN CONNECTOR LOCATED ON THE RIGHT SIDE>

<VEHICLE 4-PIN CONNECTOR LOCATED ON THE LEFT SIDE>



VEHICLE 4-PIN CONNECTOR

VEHICLE 4-PIN CONNECTOR



QM91511BA

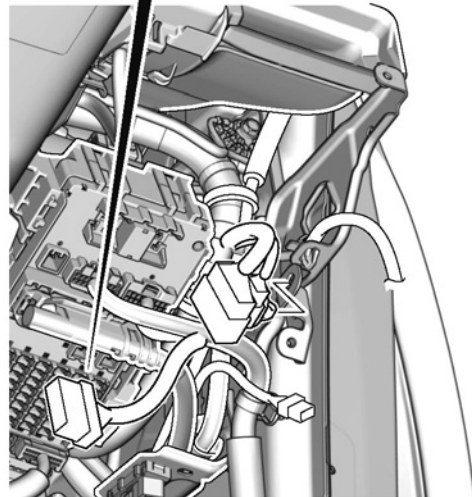
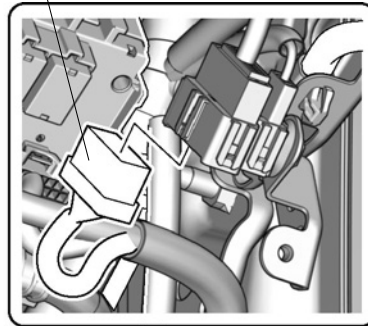
155. Follow the below guidance.

- Vehicle 4-pin connector located on the right side
To step 156
- Vehicle 4-pin connector located on the left side
To step 165

156. Disconnect the vehicle connector.

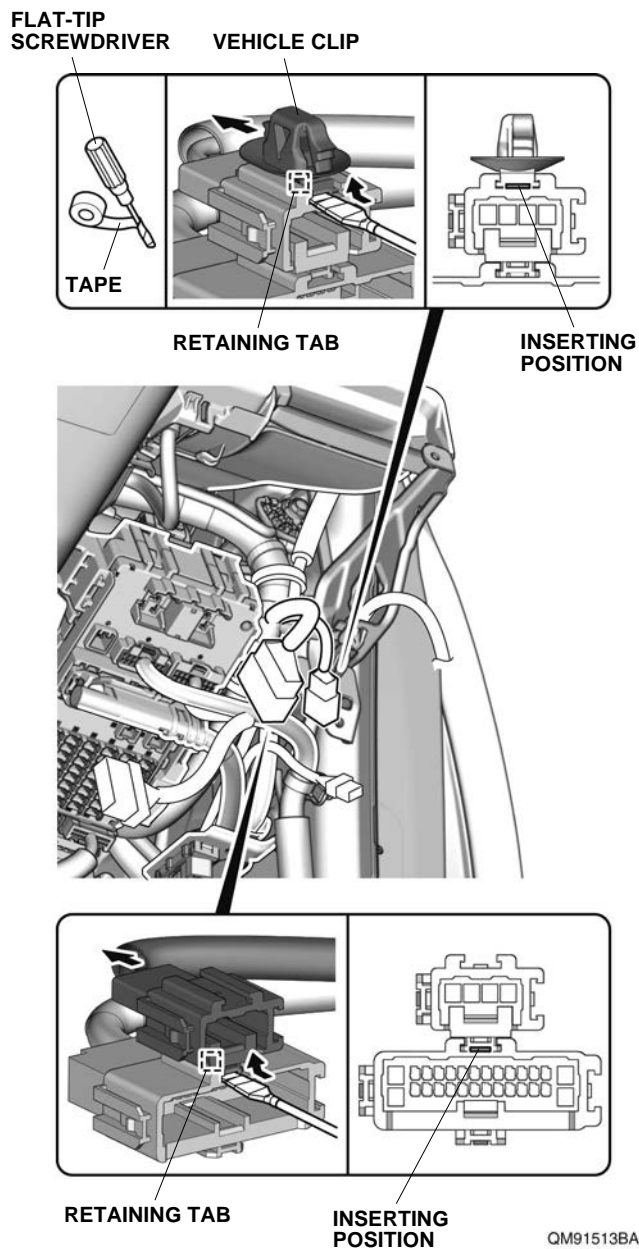
157. Release the vehicle connectors.

VEHICLE CONNECTOR



QM91512AA

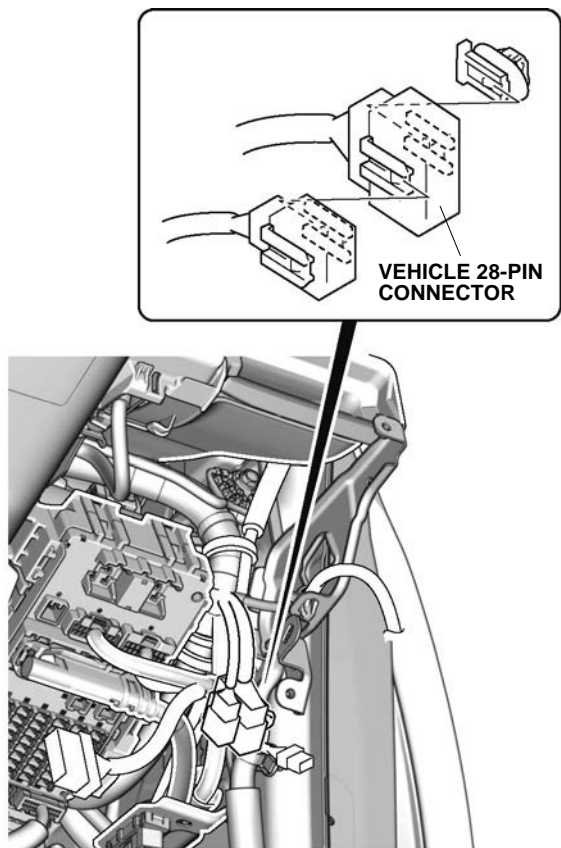
- 158. Remove the vehicle clip.
- 159. Release the vehicle connector.



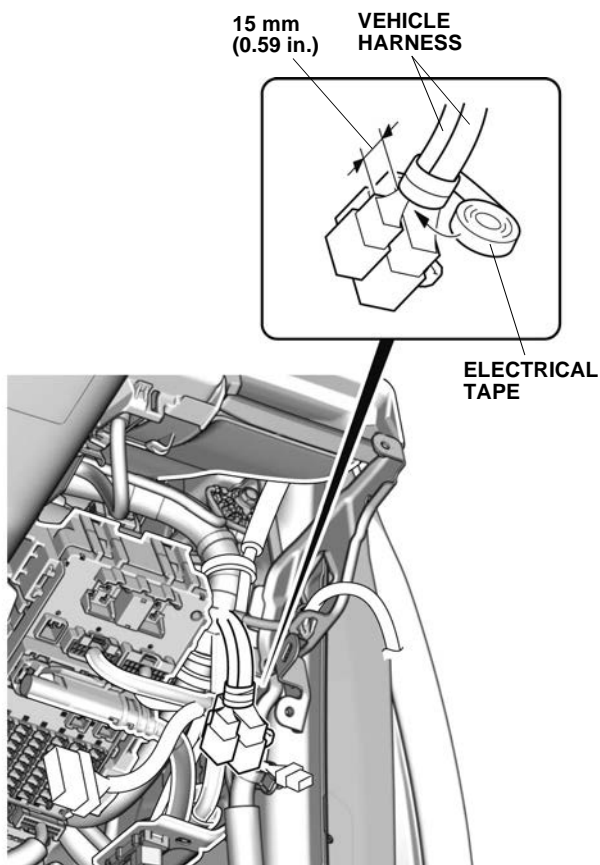
- 160. Install the vehicle connector and vehicle clip.

NOTICE

- Make sure to install the vehicle connector and vehicle clip in the correct position.



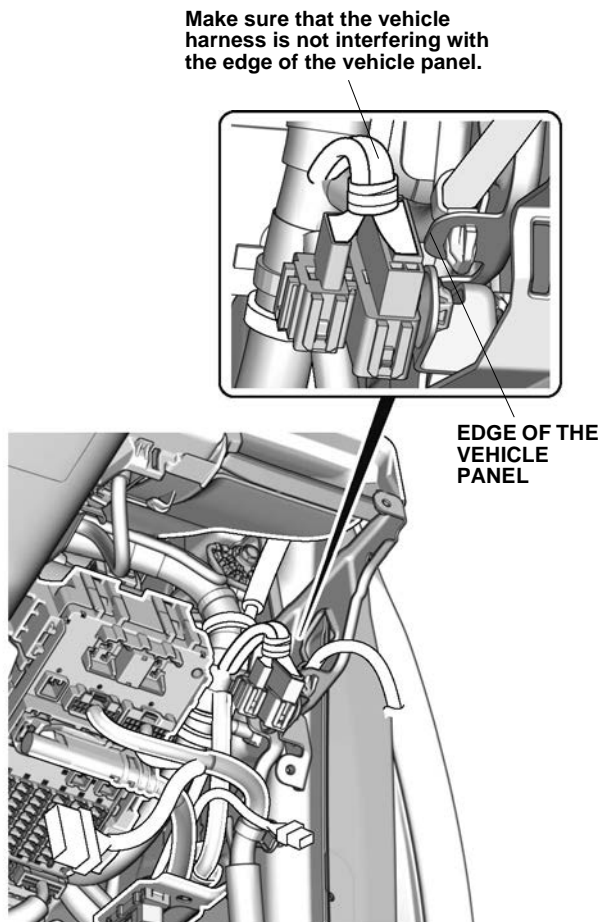
161. Secure the vehicle harness.



QM91515BA

162. Reinstall the vehicle connectors.

163. Check the installing condition of the vehicle harness.

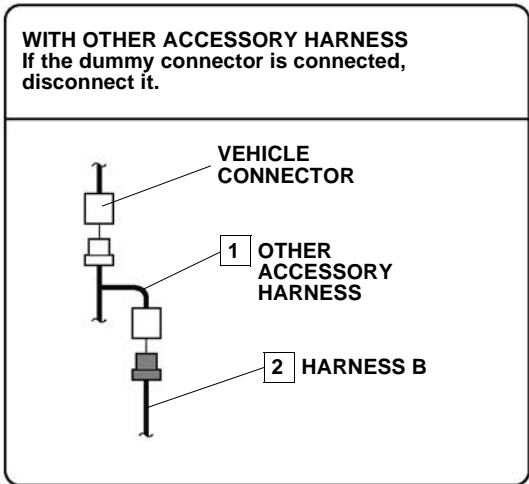
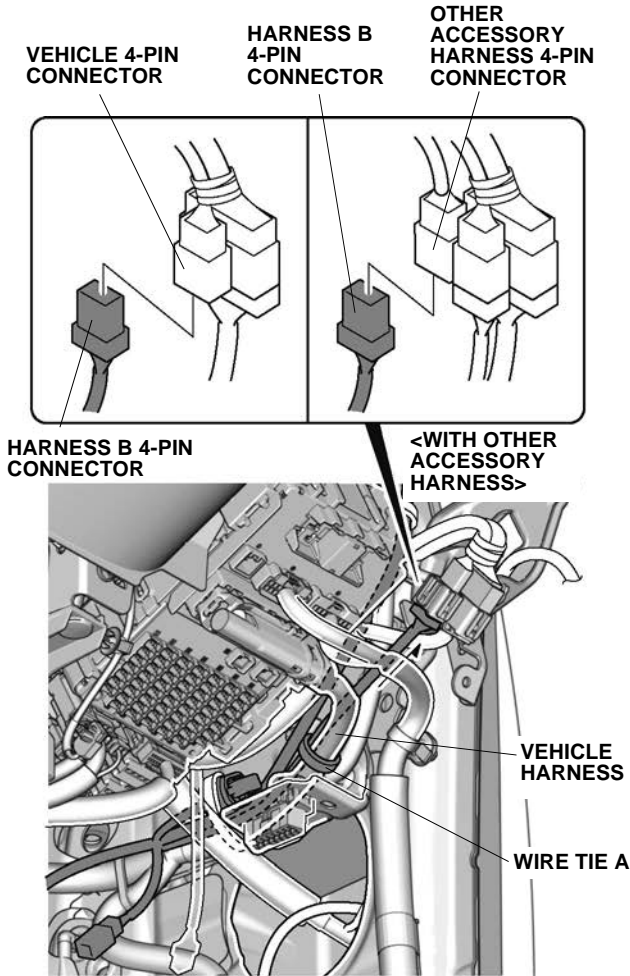


QM91516AA

164. Reconnect the vehicle connector.

165. Connect the harness B connector.

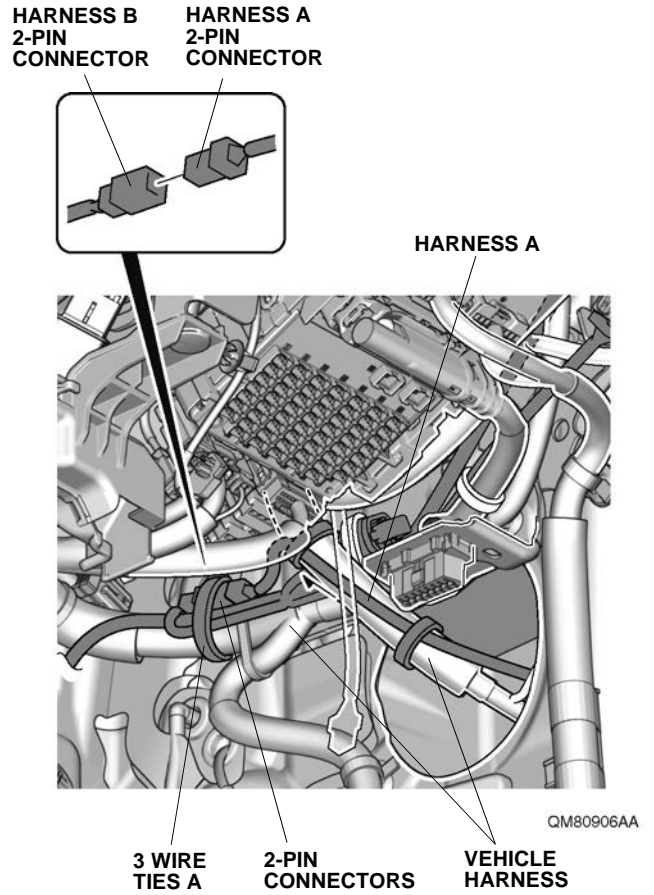
166. Secure the harness B.



QM80905BA

167. Connect the harness A connector.

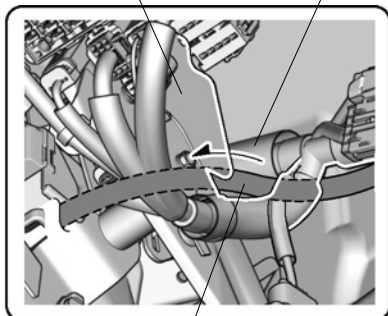
168. Secure the harness A, harness B, and connectors.



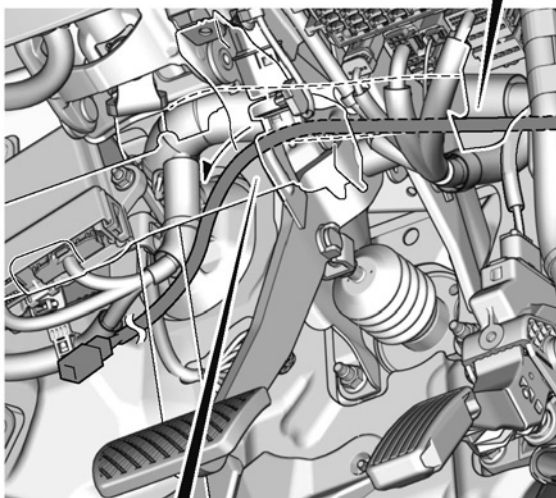
169. Route the harness B.



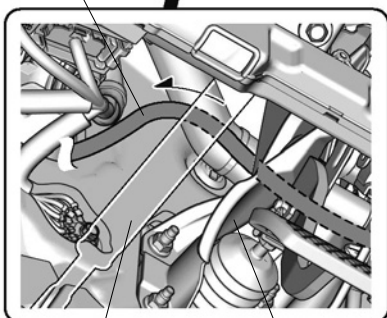
VEHICLE FRAME
VEHICLE HARNESS



HARNESS B



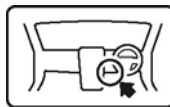
HARNESS B



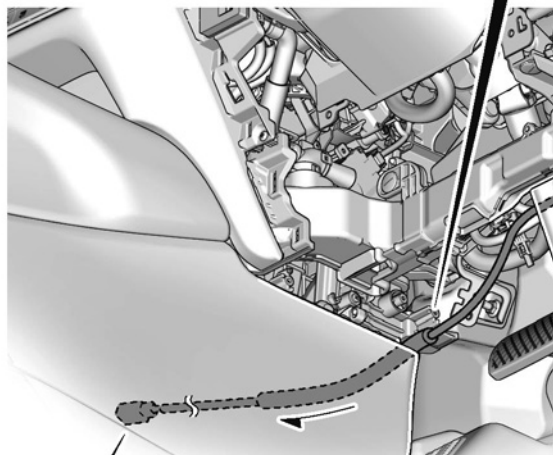
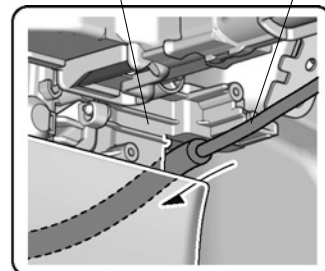
STEERING SHAFT
VEHICLE FRAME

QM80907AA

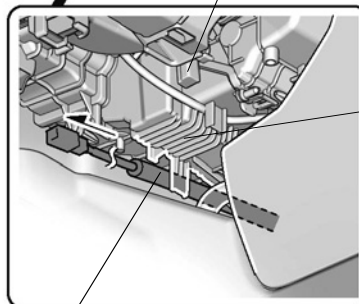
170. Route the harness B.



HEATER CONTROL UNIT
HARNESS B



PASSENGER'S DASHBOARD UNDER COVER OPENING

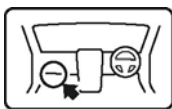


HEATER CONTROL UNIT

HARNESS B

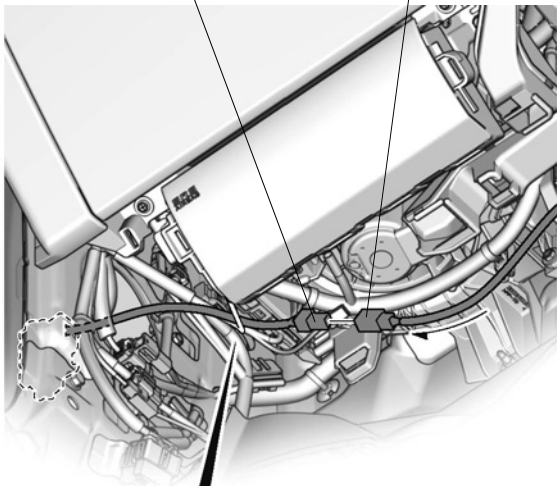
QM80908AA

171. Connect the harness A connector.

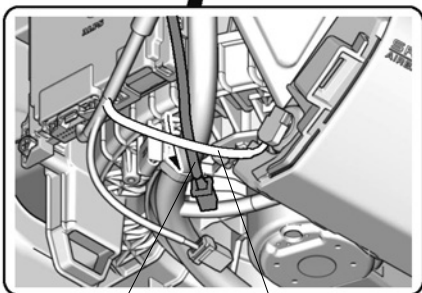


HARNESS A 2-PIN CONNECTOR

HARNESS B 2-PIN CONNECTOR



<OPPOSITE SIDE VIEW>

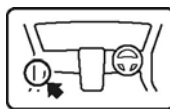


HARNESS A

VEHICLE HARNESS

QM80909AA

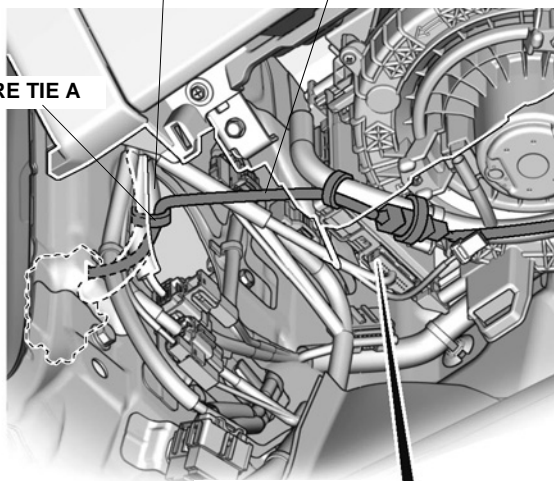
172. Secure the harness A and connectors.



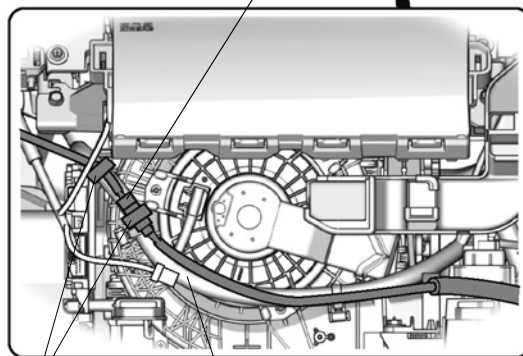
VEHICLE HARNESS

HARNESS A

WIRE TIE A



2-PIN CONNECTORS

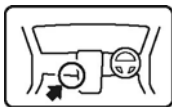


2 WIRE TIES A

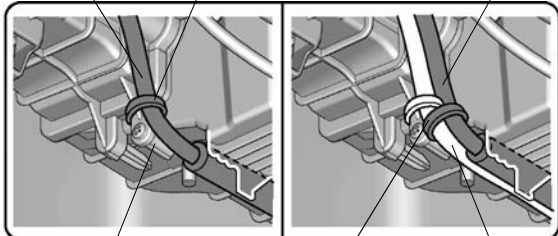
VEHICLE HARNESS

QM80910AA

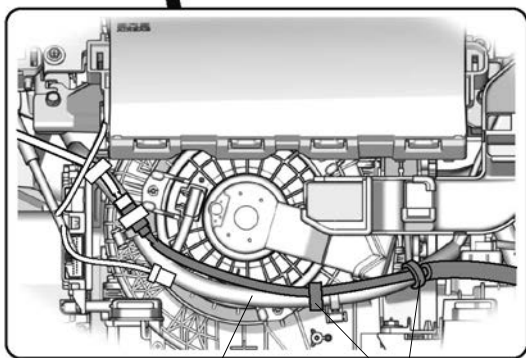
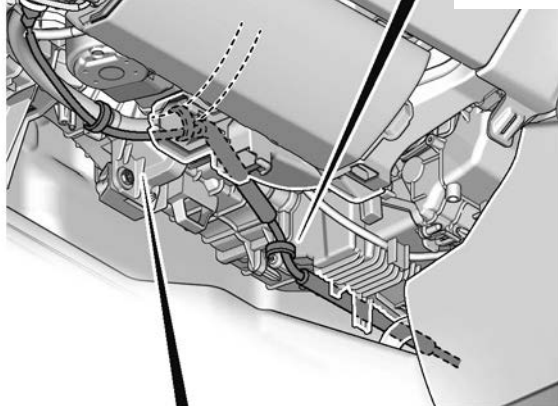
173. Secure the harness B.



HARNESS B
WIRE TIE B (narrow)
<WITH OTHER ACCESSORY HARNESS>



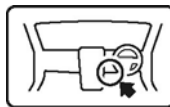
HEATER CONTROL UNIT
WIRE TIE B (narrow)
OTHER ACCESSORY HARNESS



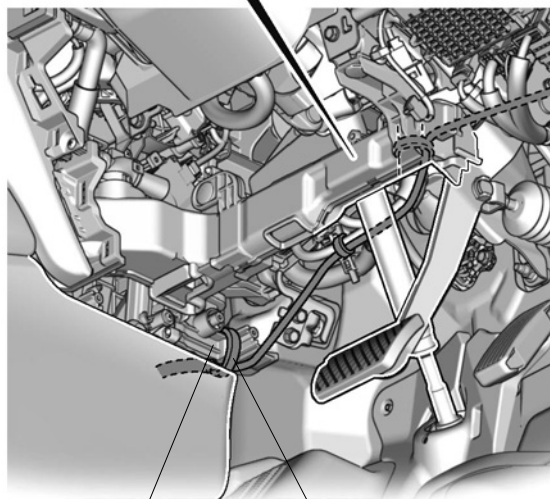
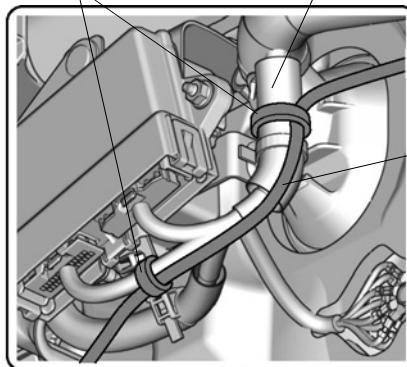
VEHICLE HARNESS
2 WIRE TIES A

QM80911AA

174. Secure the harness B.



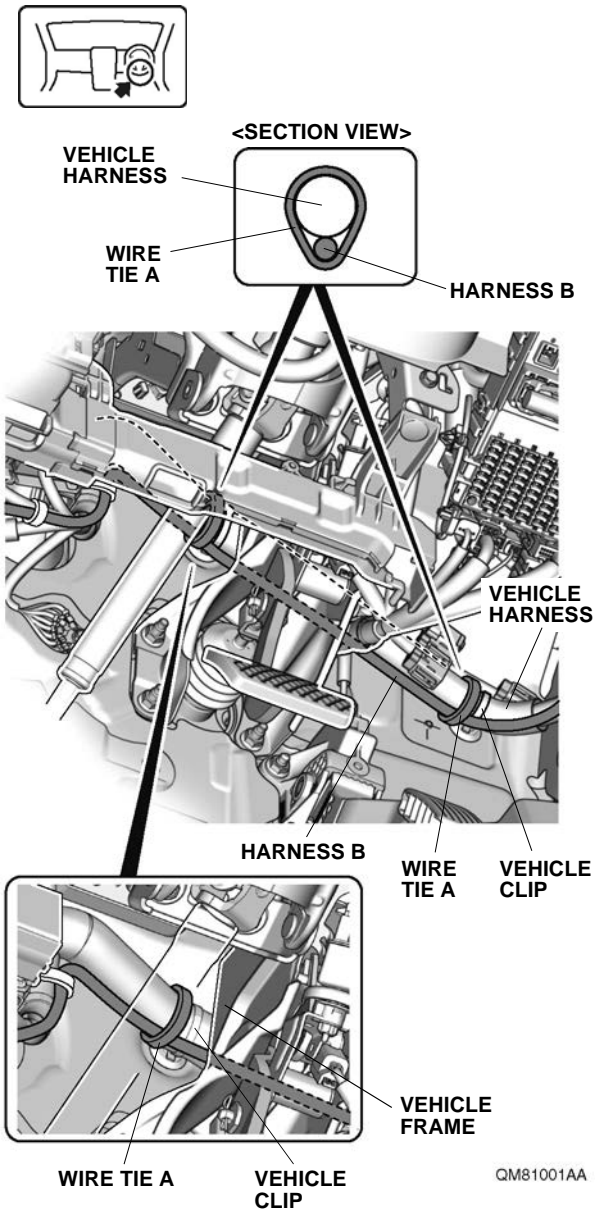
2 WIRE TIES A
VEHICLE HARNESS
HARNESS B



HEATER CONTROL UNIT
WIRE TIE A

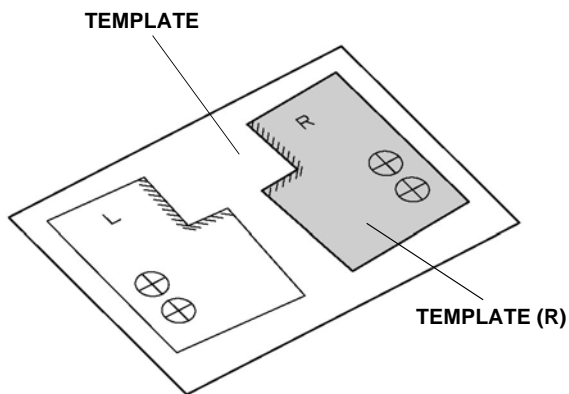
QM80912AA

175. Secure the harness B.

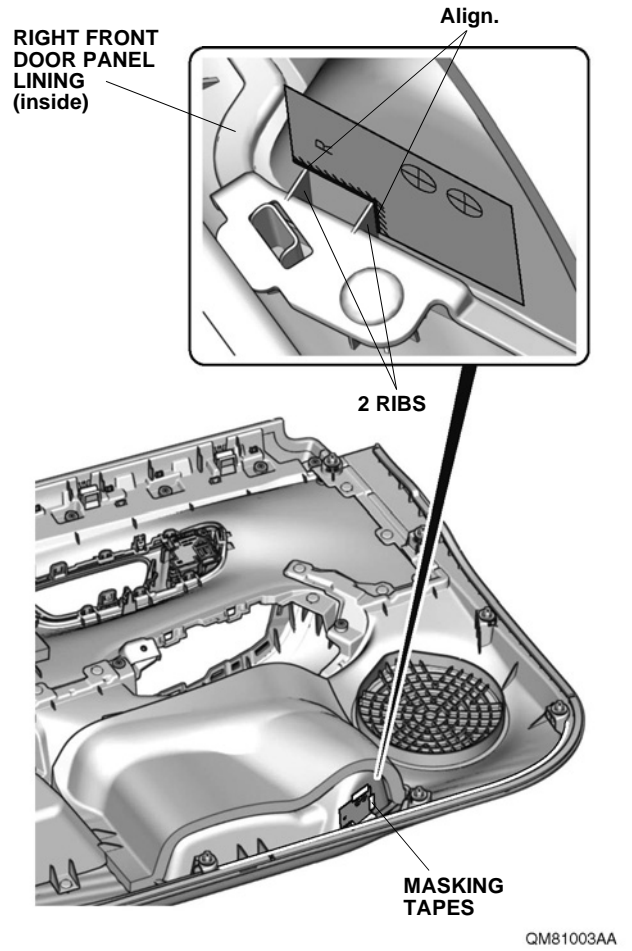


Installing the Light (RHD)

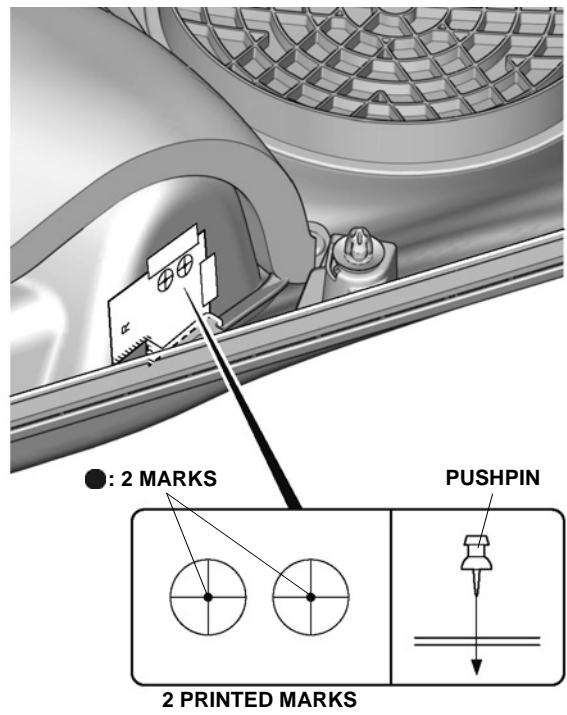
176. Cut the template.



177. Secure the template (R).

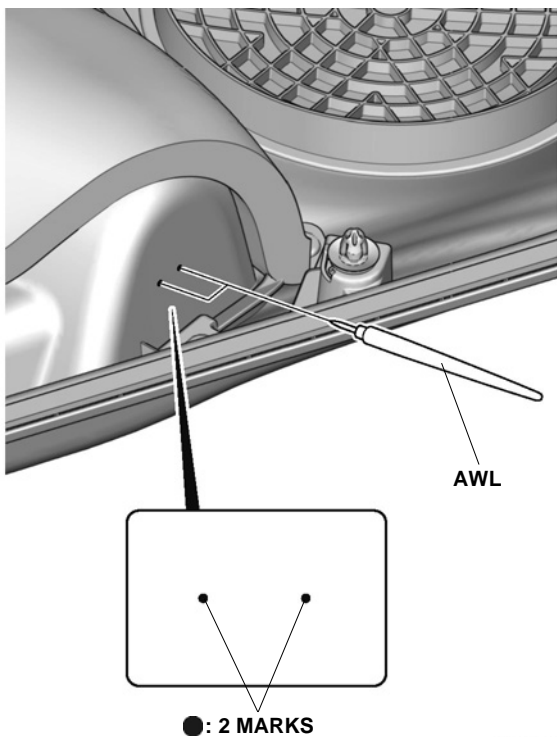


178. Pierce the right front door panel lining.



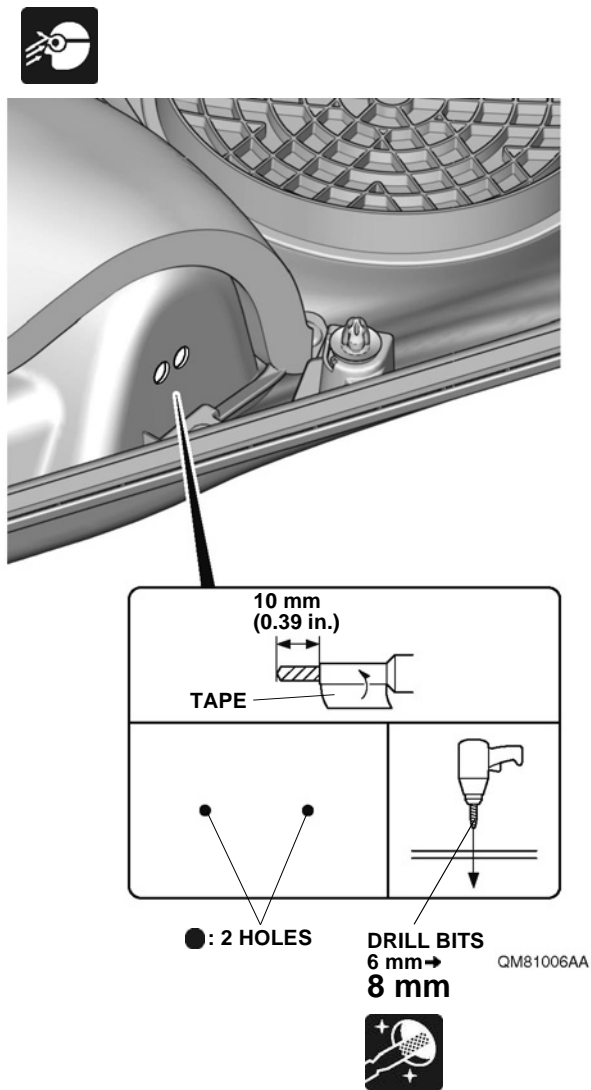
179. Remove the template (R).

180. Pierce the right front door panel lining.

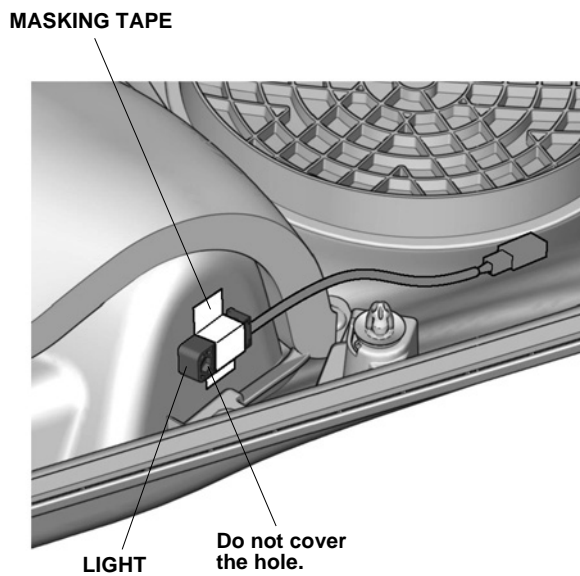


QM81005AA

181. Drill the right front door panel lining.

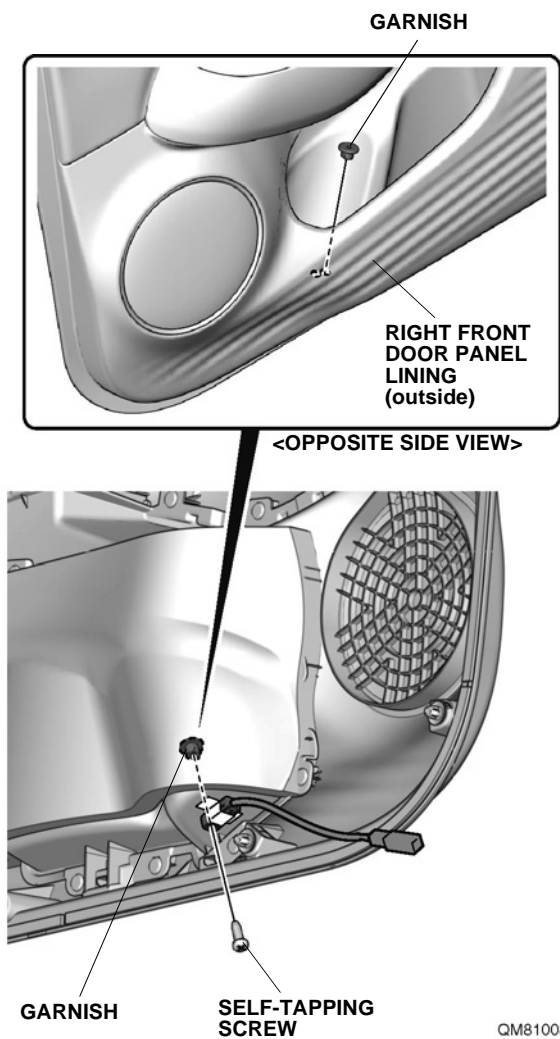


182. Loosely install the light.



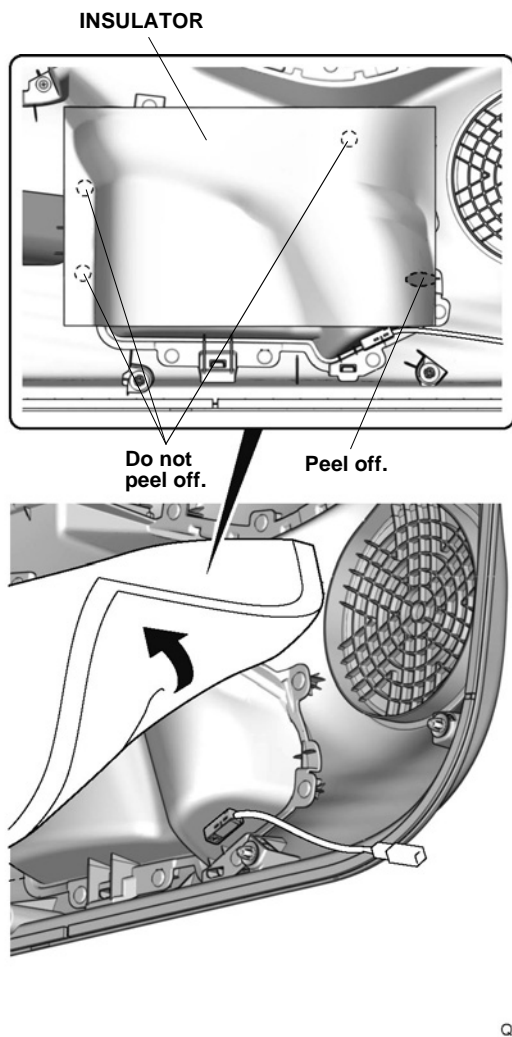
QM81007AA

183. Secure the light and garnish.

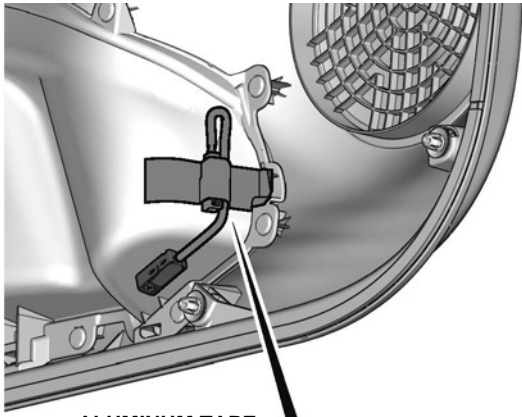


184. Remove the masking tape.

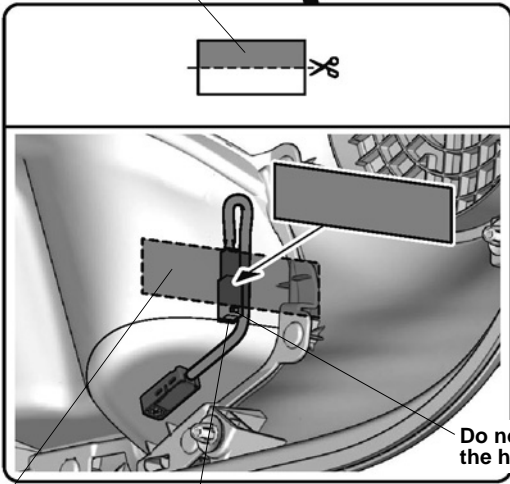
185. Peel the insulator.



186. Secure the light cord and connector.



ALUMINUM TAPE
(Cut in half.)



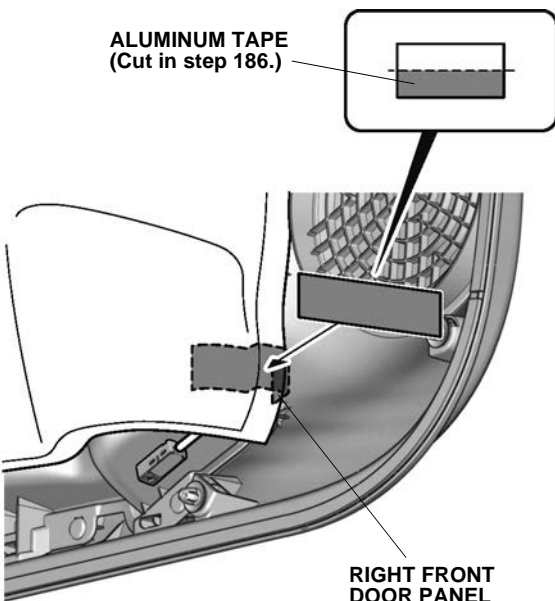
Do not cover the hole.



EDGE OF THE LIGHT 2-PIN CONNECTOR
(Align with the curve end.)

QM81010AA

187. Secure the insulator.



ALUMINUM TAPE
(Cut in step 186.)

RIGHT FRONT DOOR PANEL LINING

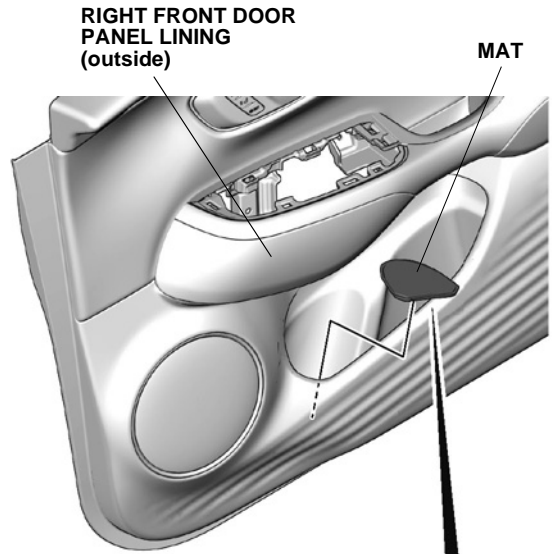


QM81011AA

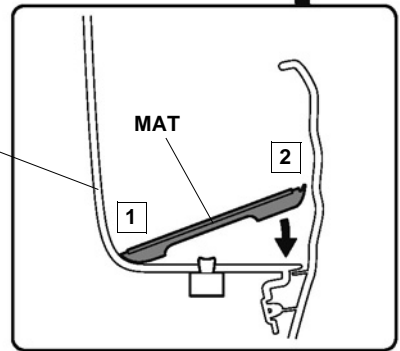
188. Install the mat.

NOTICE

- Install in the order shown.



RIGHT FRONT DOOR PANEL LINING

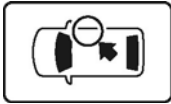


<SECTION VIEW>

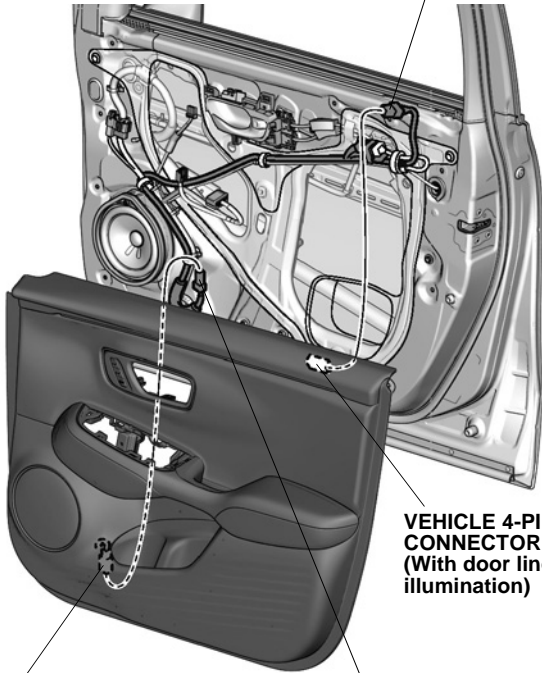
QM13111BA

189. Reinstall the right front door speaker. (Without door line illumination)

190. Connect the harness A connectors.



HARNESS A 4-PIN CONNECTOR
(With door line illumination)



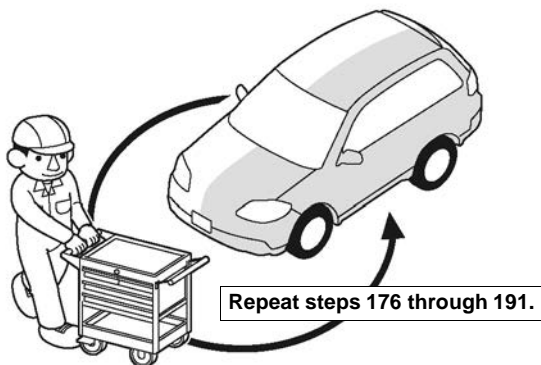
VEHICLE 4-PIN CONNECTOR
(With door line illumination)

LIGHT 2-PIN CONNECTOR

HARNESS A 2-PIN CONNECTOR QM13112CA

191. Reinstall the right front door panel lining.

192. Using the template (L), repeat the same procedures on the other side.



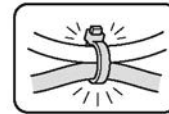
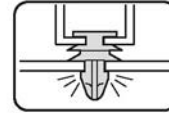
Q9D1013AM

Check After Installation

193. Check that all parts are routed and installed properly.

NOTICE

- Check that the harnesses are not pushed, not pulled and not pinched.
- Check that all clamps and wire ties are installed securely.



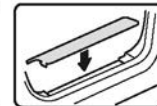
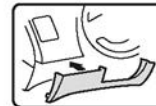
Q060706CM

Reinstalling the All Removed Parts

194. Reinstall all removed parts.

NOTICE

- Be extremely careful not to damage the vehicle parts, pinch the harnesses.
- Make sure to secure the retaining tabs and clips properly to avoid separation.



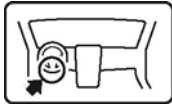
Q060703CM

<Installing the Driver's Knee Airbag (Without door line illumination)>

195. Reinstall the driver's knee airbag.

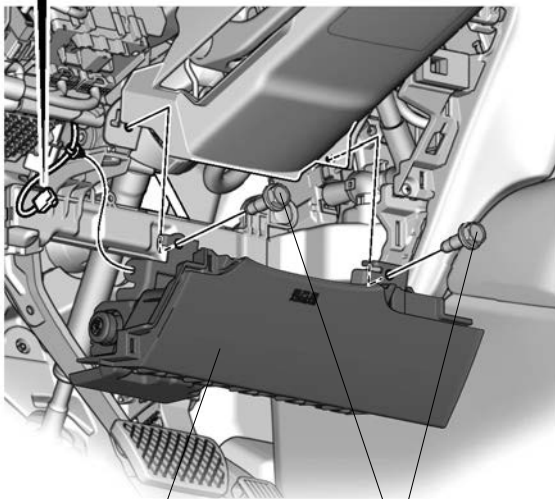
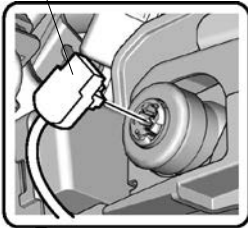
NOTICE

- Make sure to replace with the washer-bolts included in this kit.



<LHD models>

VEHICLE CONNECTOR

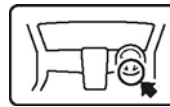


DRIVER'S KNEE AIRBAG

2 WASHER-BOLTS (supplied)

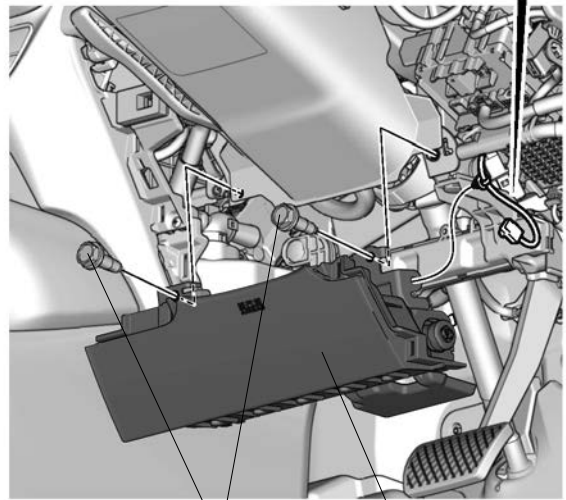
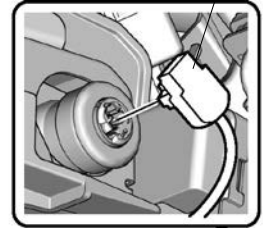
N-m 6.9-14.4 N-m
(0.8-1.4 kgf-m,
5.1-10 lbf-ft)

QM82317AA



<RHD models>

VEHICLE CONNECTOR



2 WASHER-BOLTS (supplied)

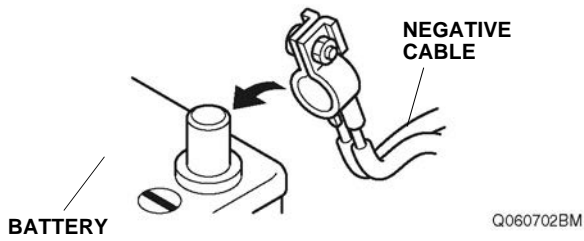
DRIVER'S KNEE AIRBAG

N-m 6.9-14.4 N-m
(0.8-1.4 kgf-m,
5.1-10 lbf-ft)

QM81012AA

Operation Check

196. Reconnect the negative cable to the battery.



197. Turn the POWER button to ON; the SRS indicator should come on for about 6 seconds and then go off.
198. Check that the lights come on by opening the driver's side door when the POWER button is OFF.
199. Check that the lights come on by turning the light switch to the "☀️" or "☞" position when the POWER button is ON.
200. When the light switch is in the "AUTO" position, while the position lights and the headlights are on, the lights are turned.
201. Check that the lights brightness varies along with the instrument panel brightness control function.

Vehicle Check

202. Check that the electric accessories and systems operate properly.
203. Press and hold the audio power button for two seconds, or enter anti-theft code for the audio/navigation system.
204. Reset the memory of each equipment and restore the positions of those control knobs.

