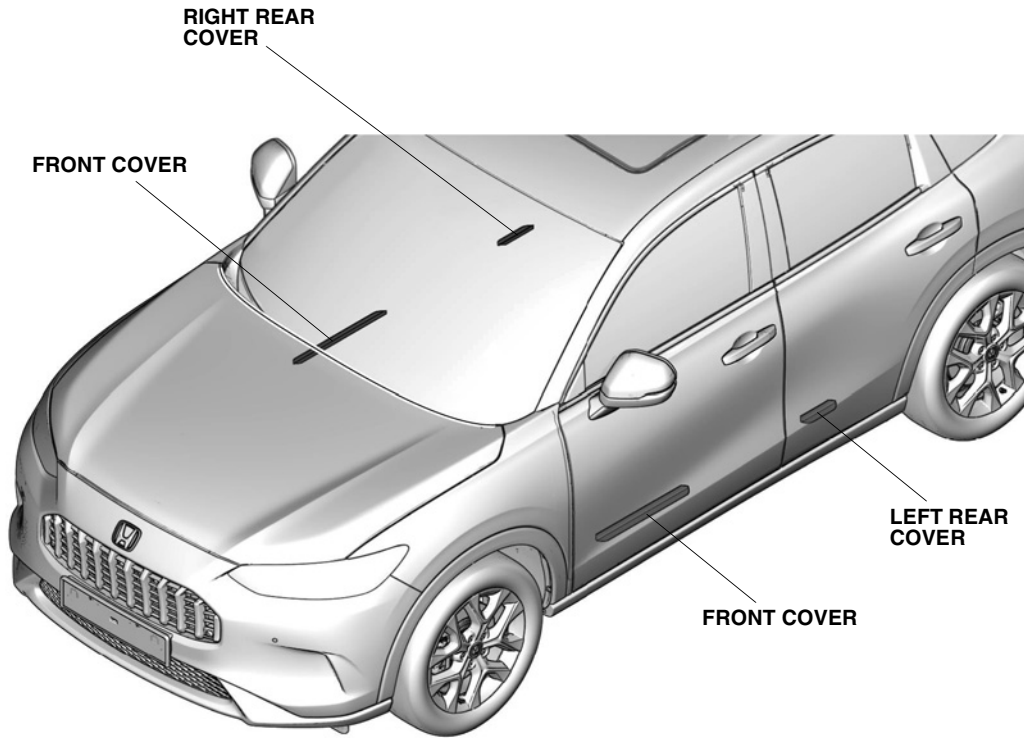


SIDE OUT PANEL COVERS	<i>ZR-V</i>
-----------------------	-------------

### GENERAL VIEW



QM80509AN

### FOR YOUR SAFETY (Read carefully)

#### Introduction of Symbol Messages

- These symbols warn you about the possible hazards and explain how to avoid them. And give you some advices.

**⚠ DANGER**

You will be killed or seriously hurt if you do not follow the instructions.

**⚠ WARNING**

You can be killed or seriously hurt if you do not follow the instructions.

**⚠ CAUTION**

You can be hurt if you do not follow the instructions.

**NOTICE**

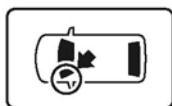
Gives advice to prevent damage to the product.  
Gives helpful information or instructions to be followed in using the product.



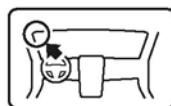
Indicates prohibited actions.

## Introduction of Icons

- These icons indicate the working place and the worker's vision.



The place for the vehicle.



The place for the instrument panel.

- These icons indicate the necessary things for your safety and the work.



Wear eye protection.



Wear heavy gloves.



Work with an assistant.



Place the part on a blanket.



Remove any burrs.



Use the touch-up paint and dry.



Keep the parts and give it to the customer.  
(Not use)



Press firmly.



Tighten by specified torque.



Work perpendicularly.



Clean with the contact cleaner.

## Safety: General

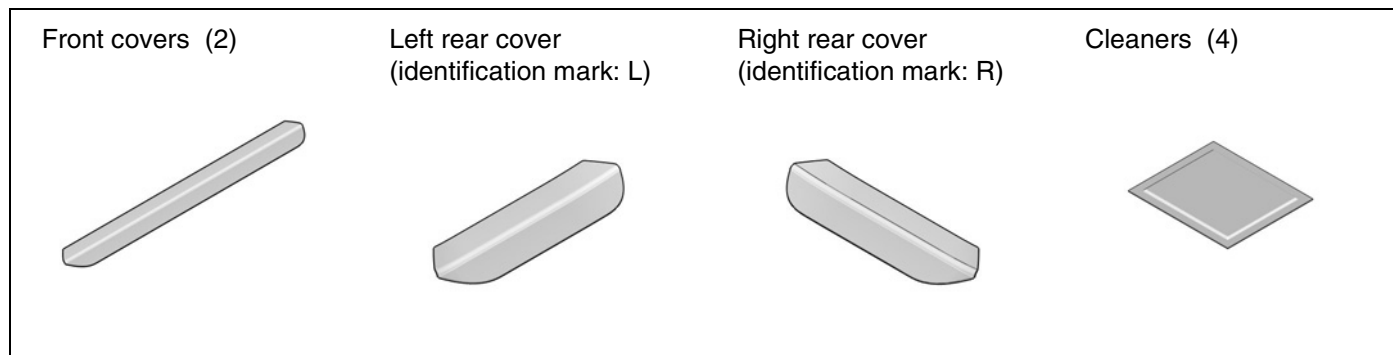
- Be careful not to damage the vehicle and the parts.
- The illustrations may differ a little from the actual accessories for the design change of the vehicle.

## Safety: For the Accessory

- **Do not perform installation work and attaching work at the place where gets the direct rays of the sun or the dust appears.**
- **Always install these accessories at the ambient air temperature 15°C (60°F) or above.**
- **Heat the accessories and bonding surfaces if the ambient air temperature is below 15°C (60°F).**
- **Attach the accessories by pressing it firmly with the palm of your hand. Be careful not to damage the accessories and the vehicle parts.**
- **Carefully place the double-sided adhesive tape on the proper position. Once the double-sided adhesive tape touches the surface, do not try to detach and relocate it. If you attempt to move after it touches the surface, you will damage the part before the adhesive will give way.**
- **Not to wash the vehicle or moisten it for 24 hours to allow the adhesive to cure.**

# PARTS LIST

## Side Out Panel Covers Kit



## TOOLS AND SUPPLIES REQUIRED

- Masking tape
- Ruler

# INSTALLATION

## Installing the Covers

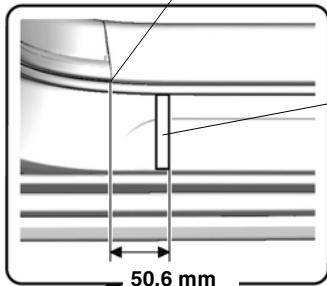
1. Attach the masking tape.
2. Clean the attaching area.

### NOTICE

- Allow to dry thoroughly.

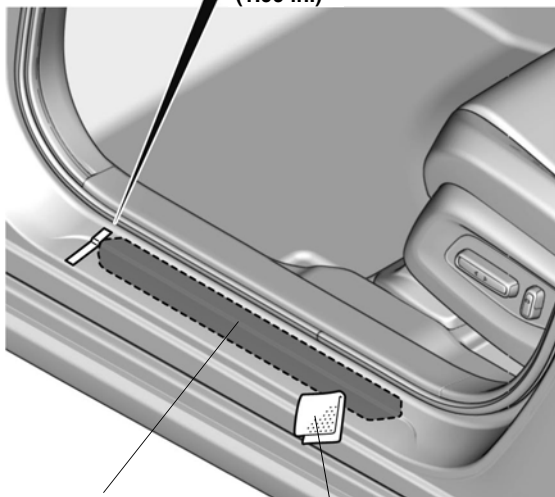


EDGE OF THE  
LEFT FRONT  
DOOR SILL TRIM



MASKING  
TAPE

50.6 mm  
(1.99 in.)



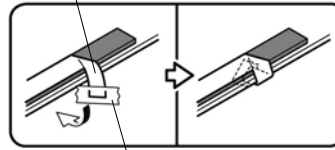
VEHICLE  
PANEL

CLEANER

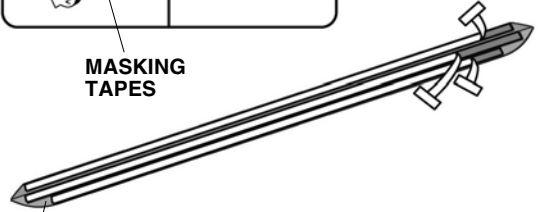
QM80510AN

3. Temporarily attach the adhesive backings.

3 ADHESIVE  
BACKINGS



MASKING  
TAPES

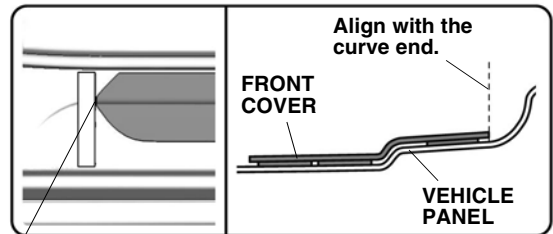


FRONT  
COVER

QM80511AN

4. Align the front cover.

<SECTION VIEW>



Align.

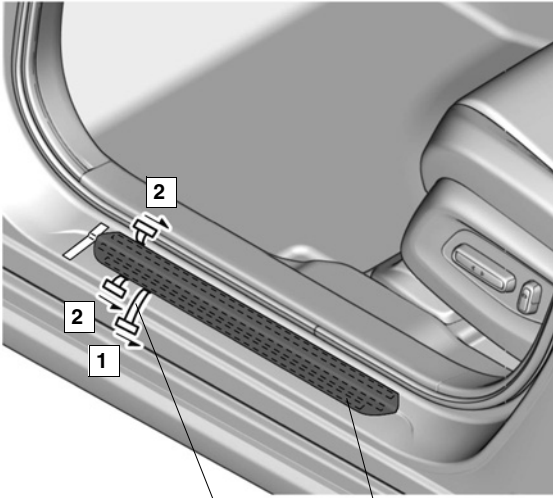


QM80512AN

5. Secure the front cover.

**NOTE**

- Secure in the order shown.
- Check the position of the double-sided adhesive tapes and make sure to press firmly.



QM80513AN

3 ADHESIVE BACKINGS

3 DOUBLE-SIDED ADHESIVE TAPES

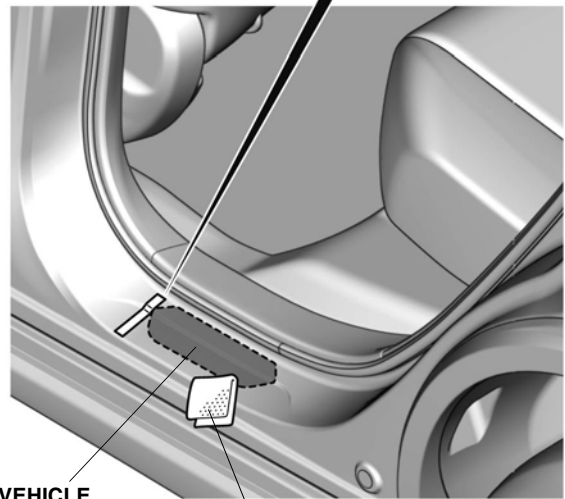
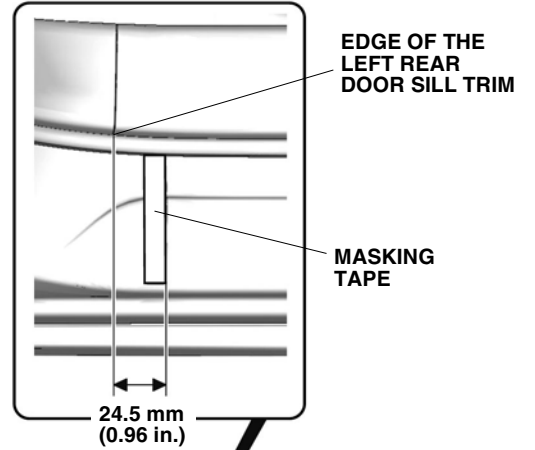
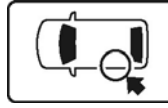


6. Remove the masking tape.

7. Attach the masking tape.  
8. Clean the attaching area.

**NOTICE**

- Allow to dry thoroughly.



VEHICLE PANEL

CLEANER

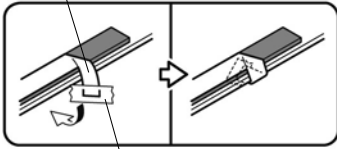
QM80514AN

9. Temporarily attach the adhesive backings.

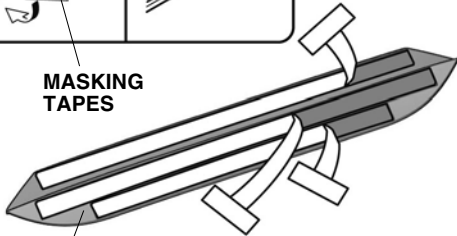
**NOTICE**

- Check the identification mark and the installation position of the cover.

**3 ADHESIVE BACKINGS**



**MASKING TAPES**

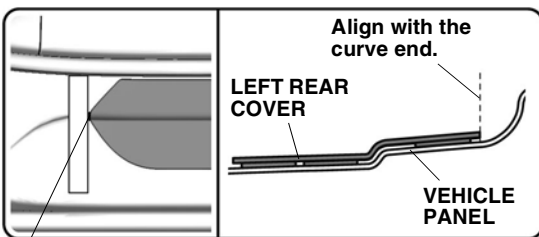


**LEFT REAR COVER**  
(identification mark: L)

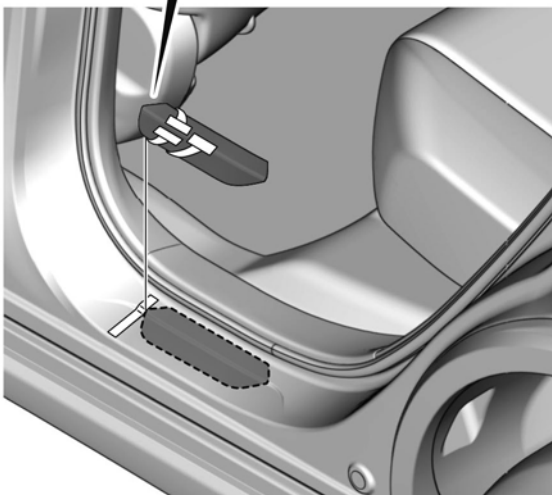
QM80515AN

10. Align the left rear cover.

<SECTION VIEW>



Align.

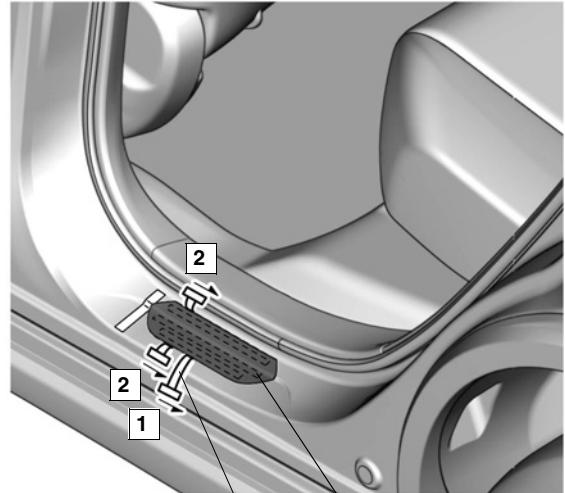


QM80516AN

11. Secure the left rear cover.

**NOTE**

- Secure in the order shown.
- Check the position of the double-sided adhesive tapes and make sure to press firmly.



QM80517AN

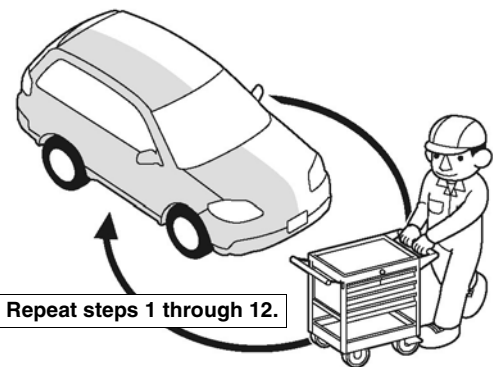
**3 ADHESIVE BACKINGS**

**3 DOUBLE-SIDED ADHESIVE TAPES**



12. Remove the masking tape.

13. Repeat the same procedures on the other side.



Q9D1014AM

14. Check that all parts are installed properly.  
(End of installation)