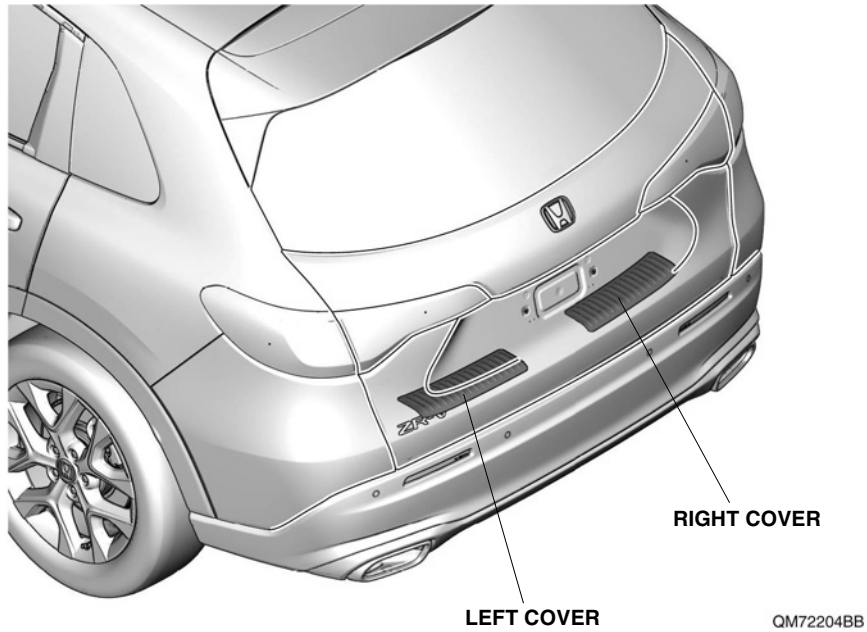


REAR PANEL LINING COVERS	<i>ZR-V</i>
--------------------------	-------------

GENERAL VIEW



FOR YOUR SAFETY (Read carefully)

Introduction of Symbol Messages

- These symbols warn you about the possible hazards and explain how to avoid them. And give you some advices.

⚠ DANGER

You will be killed or seriously hurt if you do not follow the instructions.

⚠ WARNING

You can be killed or seriously hurt if you do not follow the instructions.

⚠ CAUTION

You can be hurt if you do not follow the instructions.

NOTICE

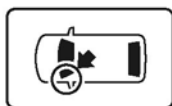
Gives advice to prevent damage to the product.
Gives helpful information or instructions to be followed in using the product.



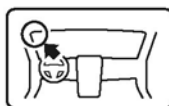
Indicates prohibited actions.

Introduction of Icons

- These icons indicate the working place and the worker's vision.



The place for the vehicle.



The place for the instrument panel.

- These icons indicate the necessary things for your safety and the work.



Wear eye protection.



Wear heavy gloves.



Work with an assistant.



Place the part on a blanket.



Remove any burrs.



Use the touch-up paint and dry.



Keep the parts and give it to the customer.
(Not use)



Press firmly.



Tighten by specified torque.



Work perpendicularly.



Clean with the contact cleaner.

Safety: General

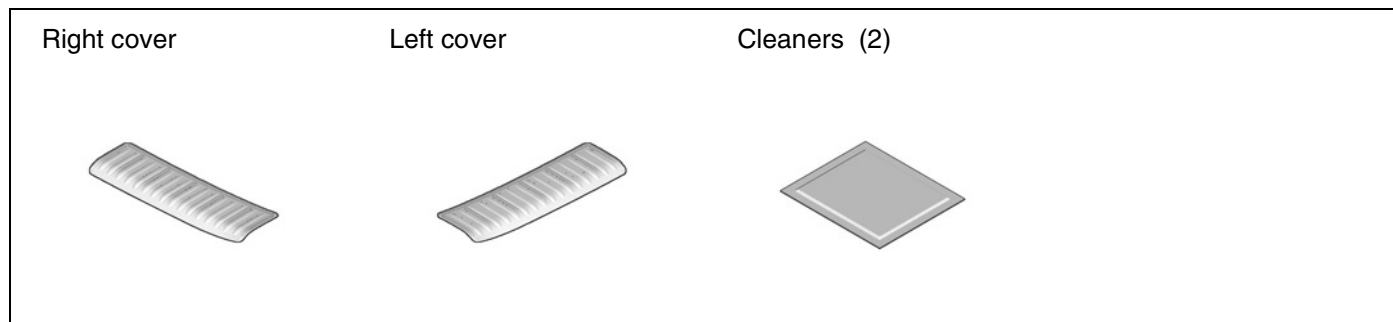
- Observe all safety notes and precautions described in the Shop Manual in addition to those described in this Installation Instructions. Be extremely careful for your safety and safety of others particularly.
- Be careful not to damage the vehicle and the parts.
- Note the locations of the parts before removing them so that they can be reinstalled in their original positions properly.
- The illustrations may differ a little from the actual accessories for the design change of the vehicle.

Safety: For the Accessory

- **Do not perform installation work and attaching work at the place where gets the direct rays of the sun or the dust appears.**
- **Always install these accessories at the ambient air temperature 15°C (60°F) or above.**
- **Heat the accessories and bonding surfaces if the ambient air temperature is below 15°C (60°F).**
- **Attach the accessories by pressing it firmly with the palm of your hand. Be careful not to damage the accessories and the vehicle parts.**
- **Carefully place the double-sided adhesive tape on the proper position. Once the double-sided adhesive tape touches the surface, do not try to detach and relocate it. If you attempt to move after it touches the surface, you will damage the part before the adhesive will give way.**
- **Not to wash the vehicle or moisten it for 24 hours to allow the adhesive to cure.**

PARTS LIST

Rear Panel Lining Covers Kit



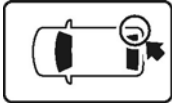
TOOLS AND SUPPLIES REQUIRED

- Masking tape
- Ruler

INSTALLATION

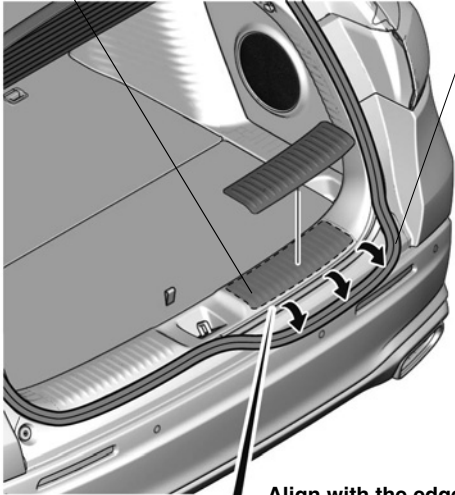
Installing the Covers

1. Align the right cover.



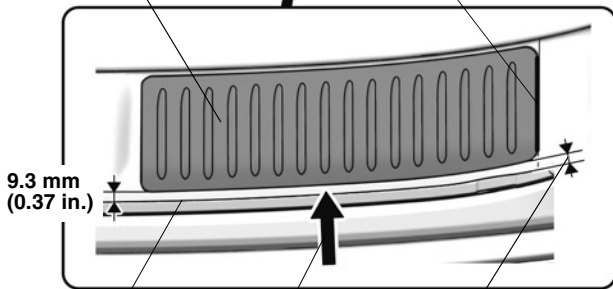
REAR PANEL LINING

WEATHERSTRIP



RIGHT COVER

Align with the edge of the rear panel lining.



9.3 mm (0.37 in.)

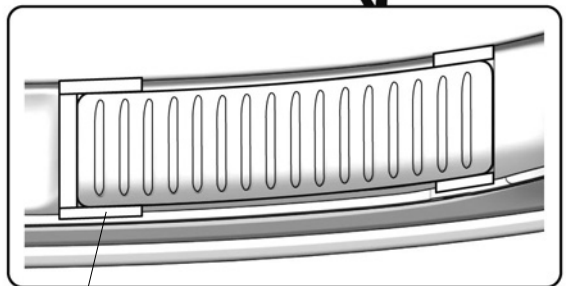
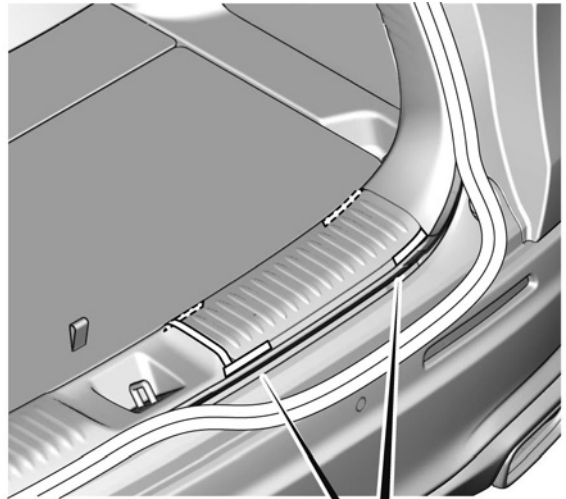
EDGE OF THE REAR PANEL LINING

Adjust to the front.

9.3 mm (0.37 in.)

QM72205CB

2. Attach the masking tapes.



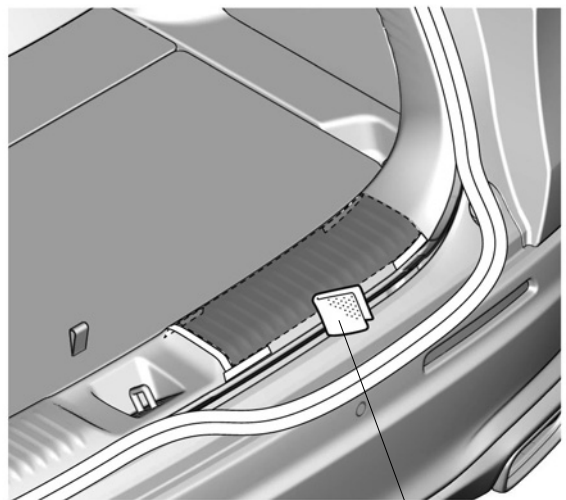
MASKING TAPES
(Align with the edge of the right cover.)

QM72206AB

3. Remove the right cover.
4. Clean the attaching area.

NOTICE

- Allow to dry thoroughly.



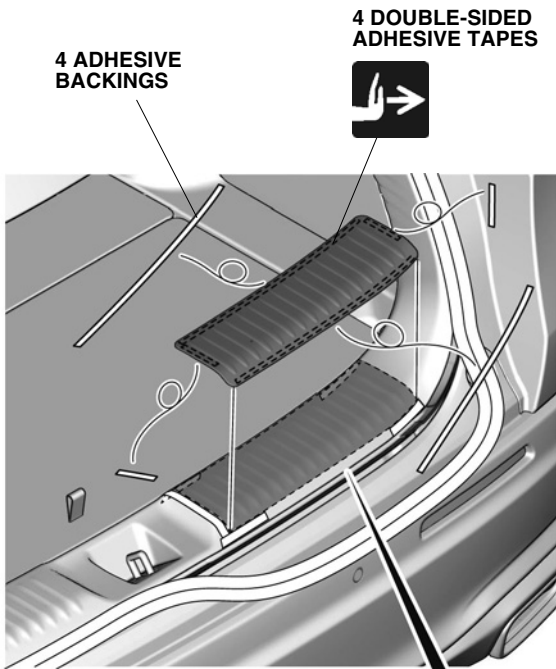
CLEANER

QM72207AB

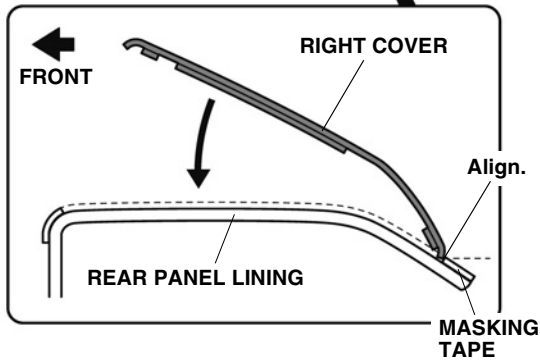
5. Attach the right cover.

NOTICE

- Check the position of the double-sided adhesive tapes and make sure to press firmly.



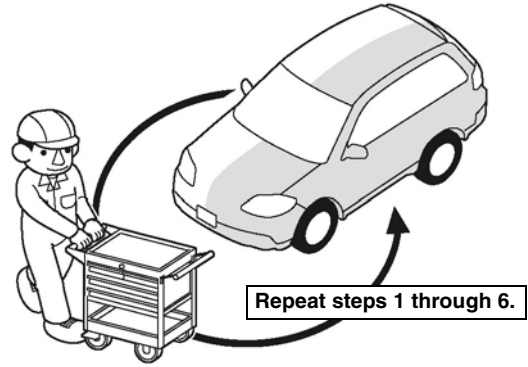
<SECTION VIEW>



QM72208CB

6. Remove the masking tapes.

7. Repeat the same procedures on the other side.



Q9D1013AM

8. Reinstall the weatherstrip.
9. Check that all parts are installed properly.
(End of installation)