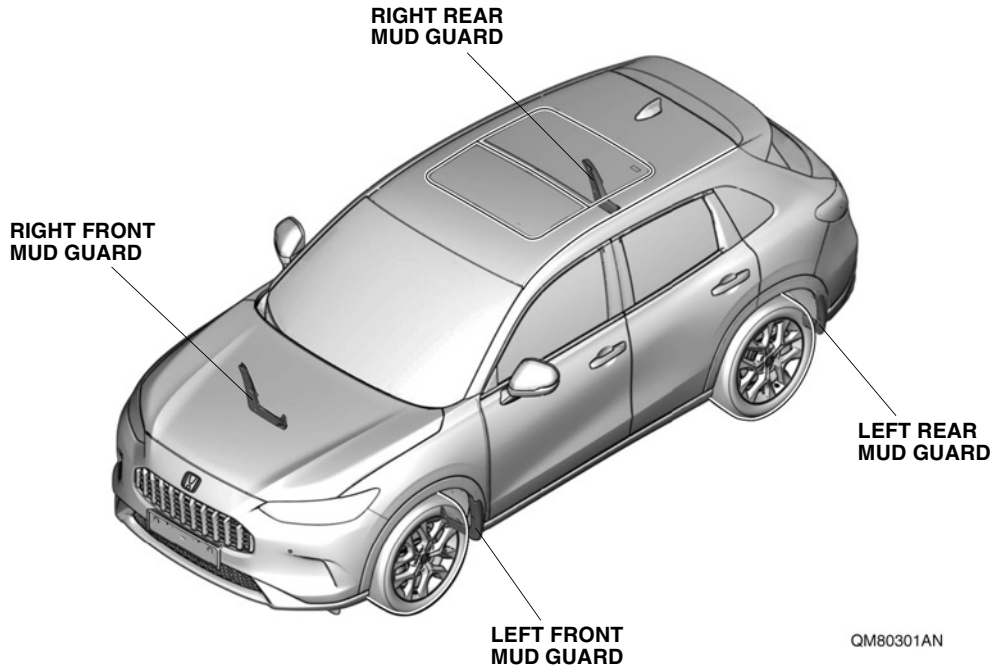


MUD GUARDS	<i>ZR-V</i>
------------	-------------

### GENERAL VIEW



### FOR YOUR SAFETY (Read carefully)

#### Introduction of Symbol Messages

- These symbols warn you about the possible hazards and explain how to avoid them. And give you some advices.

**⚠ DANGER**

You will be killed or seriously hurt if you do not follow the instructions.

**⚠ WARNING**

You can be killed or seriously hurt if you do not follow the instructions.

**⚠ CAUTION**

You can be hurt if you do not follow the instructions.

**NOTICE**

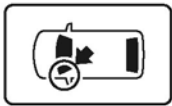
Gives advice to prevent damage to the product.  
Gives helpful information or instructions to be followed in using the product.



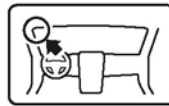
Indicates prohibited actions.

## Introduction of Icons

- These icons indicate the working place and the worker's vision.



The place for the vehicle.



The place for the instrument panel.

- These icons indicate the necessary things for your safety and the work.



Wear eye protection.



Wear heavy gloves.



Work with an assistant.



Place the part on a blanket.



Remove any burrs.



Use the touch-up paint and dry.



Keep the parts and give it to the customer.  
(Not use)



Press firmly.



Tighten by specified torque.



Work perpendicularly.



Clean with the contact cleaner.

## Safety: General

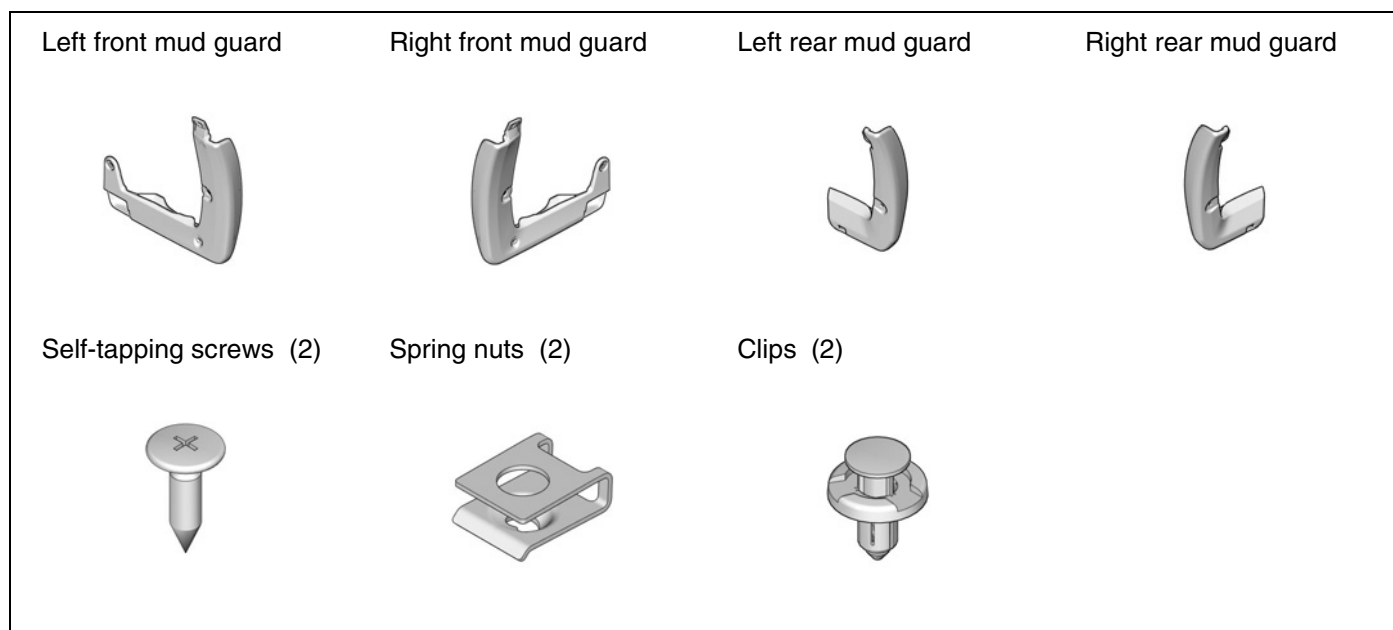
- Observe all safety notes and precautions described in the Shop Manual in addition to those described in this Installation Instructions. Be extremely careful for your safety and safety of others particularly.
- Be careful not to damage the vehicle and the parts.
- Be extremely careful to the handling of the retaining tabs and clips particularly.
- The illustrations may differ a little from the actual accessories for the design change of the vehicle.

## Safety: For the Accessory

- **Always use the parts and tools specified in the installation instructions.**

# PARTS LIST

## Mud Guards Kit



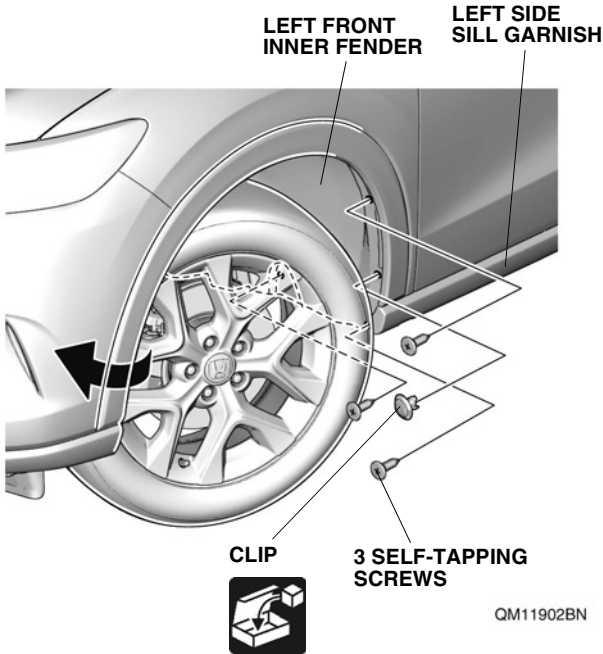
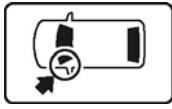
## TOOLS AND SUPPLIES REQUIRED

- Phillips screwdriver
- Stubby Phillips screwdriver
- Pushpin
- Handy remover

# INSTALLATION

## Installing the Front Mud Guards

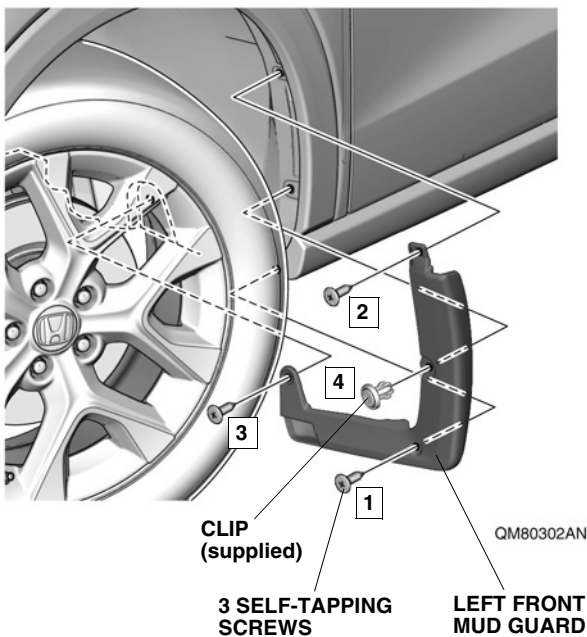
1. Turn the steering wheel fully clockwise.
2. Remove the self-tapping screws and clip.



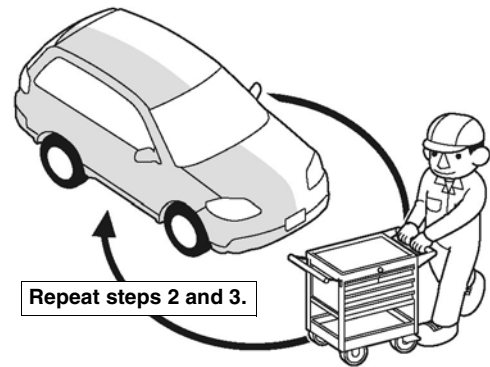
3. Install the left front mud guard.

### NOTICE

- Install in the order shown.
- Make sure that there is no gap between the mud guard and vehicle.
- Make sure that the mud guard is properly installed.



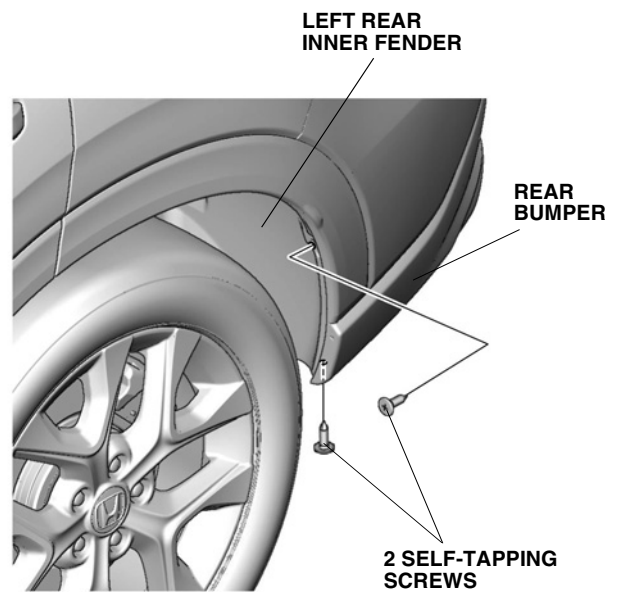
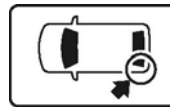
4. Turn the steering wheel fully counterclockwise.
5. Repeat the same procedures on the other side.



Q9D1014AM

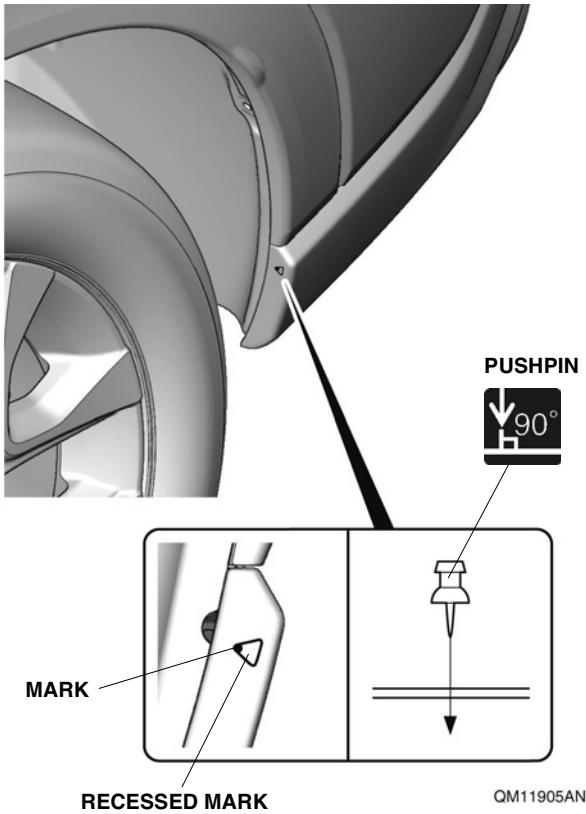
## Installing the Rear Mud Guards

6. Remove the self-tapping screws.



QM11904AN

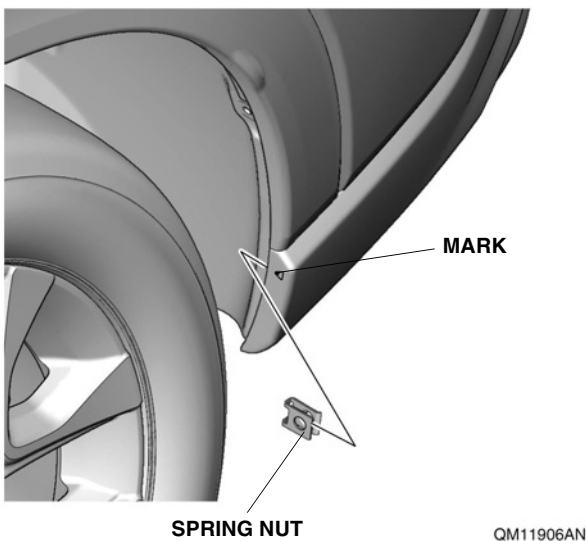
7. Pierce the rear bumper.



8. Install the spring nut.

**NOTICE**

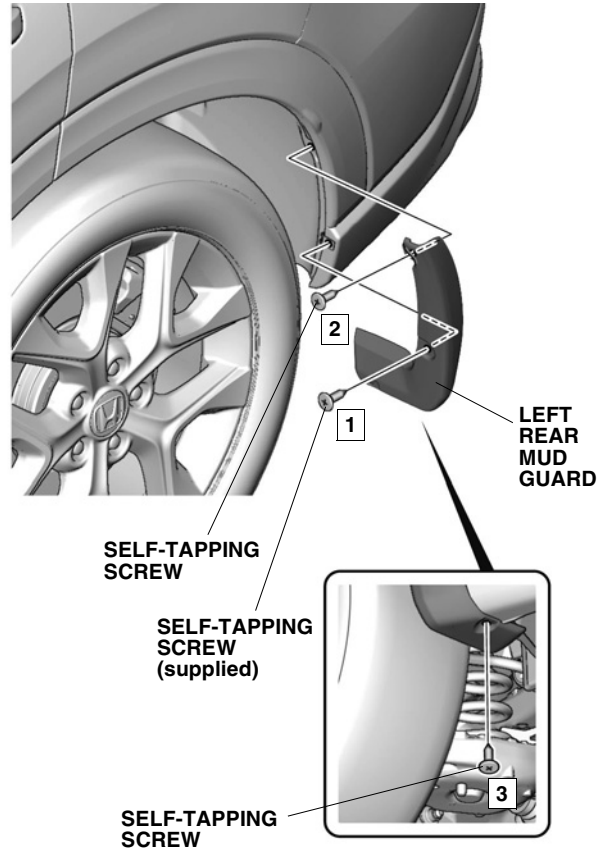
- Make sure to install the spring nut in the correct orientation.



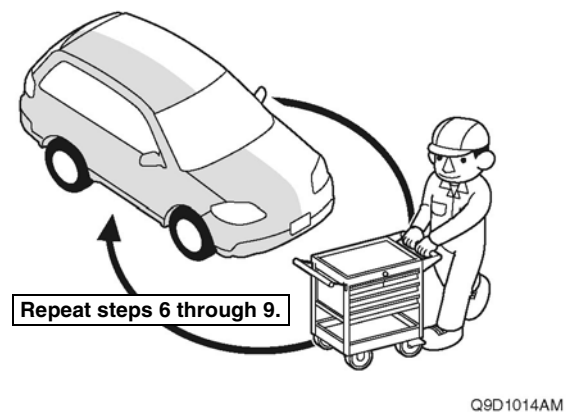
9. Install the left rear mud guard.

**NOTICE**

- Install in the order shown.
- Make sure that there is no gap between the mud guard and vehicle.
- Make sure that the mud guard is properly installed.



10. Repeat the same procedures on the other side.



## Check After Installation

11. Check that all parts are installed properly.

