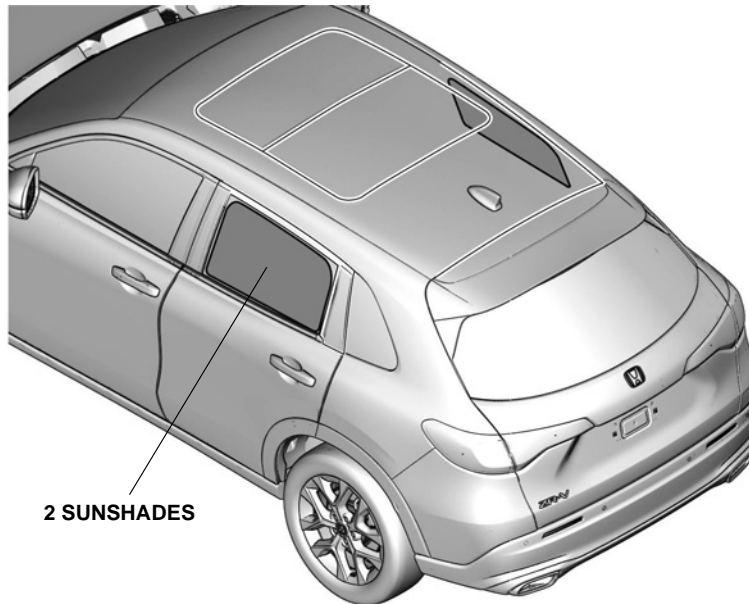


**SUNSHADES****ZR-V****GENERAL VIEW****2 SUNSHADES**

QM80901AN

**FOR YOUR SAFETY (Read carefully)****Introduction of Symbol Messages**

- These symbols warn you about the possible hazards and explain how to avoid them. And give you some advices.

**⚠ DANGER**

You will be killed or seriously hurt if you do not follow the instructions.

**⚠ WARNING**

You can be killed or seriously hurt if you do not follow the instructions.

**⚠ CAUTION**

You can be hurt if you do not follow the instructions.

**NOTICE**Gives advice to prevent damage to the product.  
Gives helpful information or instructions to be followed in using the product.

Indicates prohibited actions.

## Introduction of Icons

- These icons indicate the working place and the worker's vision.



The place for the vehicle.



The place for the instrument panel.

- These icons indicate the necessary things for your safety and the work.



Wear eye protection.



Wear heavy gloves.



Work with an assistant.



Place the part on a blanket.



Remove any burrs.



Use the touch-up paint and dry.



Keep the parts and give it to the customer.  
(Not use)



Press firmly.



Tighten by specified torque.



Work perpendicularly.



Clean with the contact cleaner.

## Safety: General

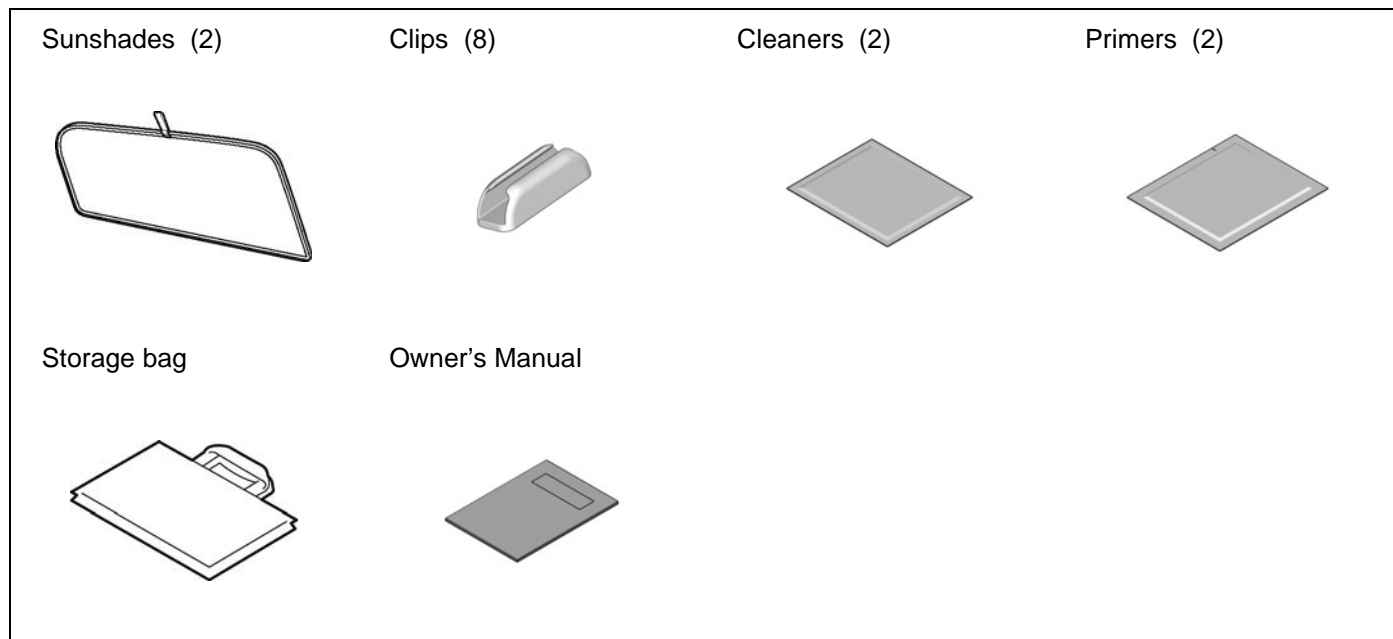
- Be careful not to damage the vehicle and the parts.
- The illustrations may differ a little from the actual accessories for the design change of the vehicle.

## Safety: Accessory

- **Do not perform installation work and attaching work at the place where gets the direct rays of the sun or the dust appears.**
- **Always install these accessories at the ambient air temperature 15°C (60°F) or above.**
- **Heat the accessories and bonding surfaces if the ambient air temperature is below 15°C (60°F).**
- **Attach the accessories by pressing it firmly with the palm of your hand. Be careful not to damage the accessories and the vehicle parts.**
- **Carefully place the double-sided adhesive tape on the proper position. Once the double-sided adhesive tape touches the surface, do not try to detach and relocate it. If you attempt to move after it touches the surface, you will damage the part before the adhesive will give way.**
- **Not to wash the vehicle or moisten it for 24 hours to allow the adhesive to cure.**

# PARTS LIST

## Sunshades Kit

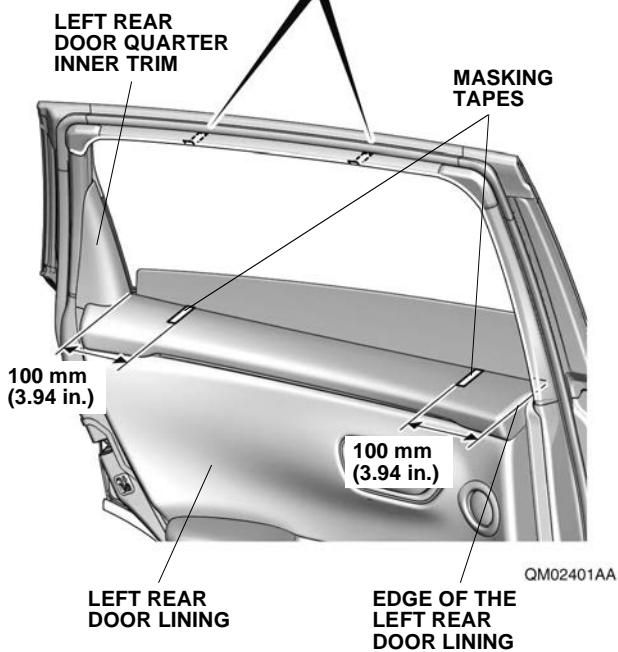
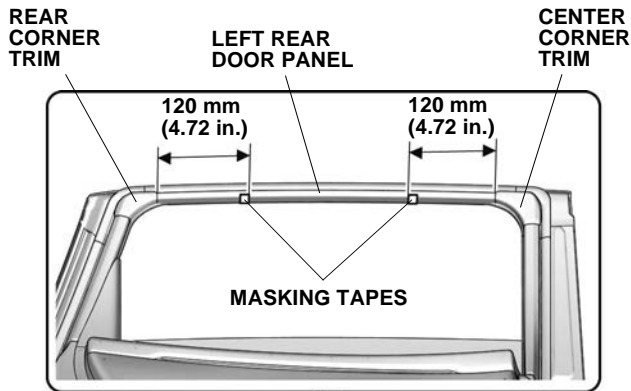
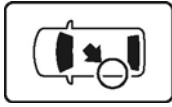


## TOOLS AND SUPPLIES REQUIRED

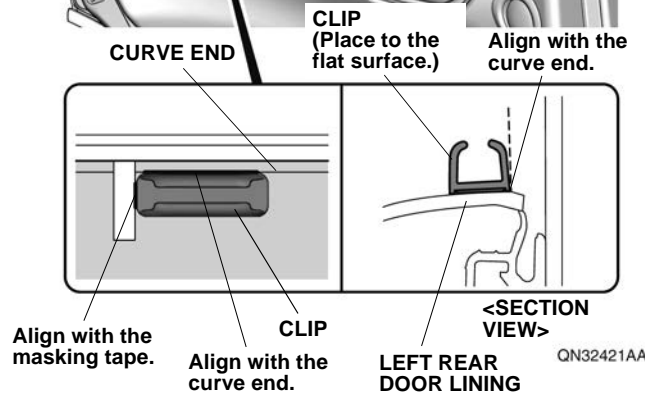
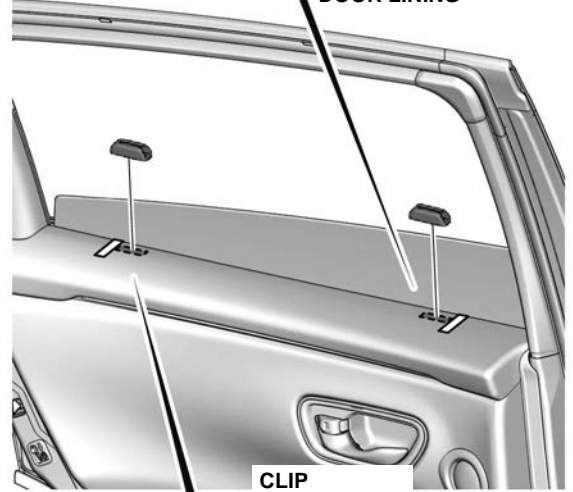
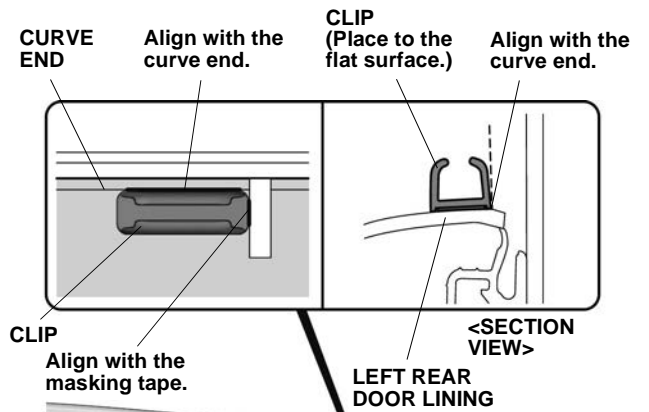
- Masking tape
- Ruler

# INSTALLATION

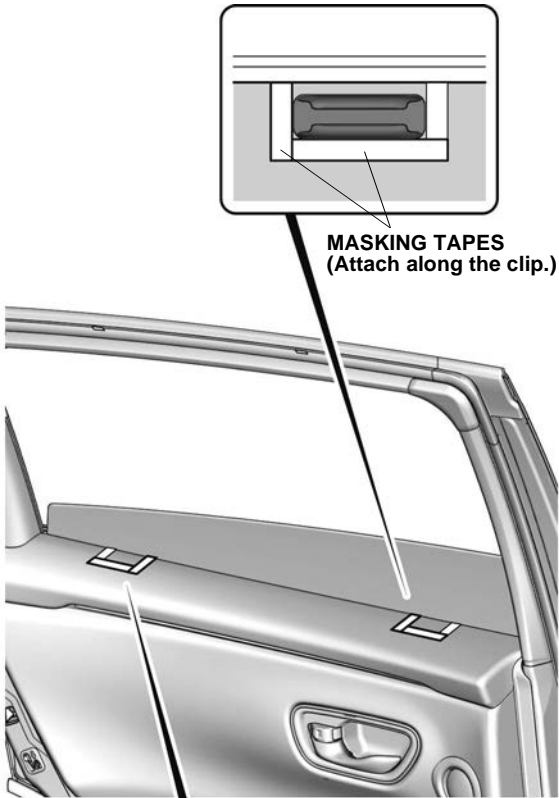
1. Fully open the left rear window and right rear window.
2. Attach the masking tapes.



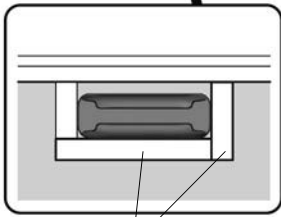
3. Align the clips.



- 4. Attach the masking tapes.
- 5. Remove the clips.



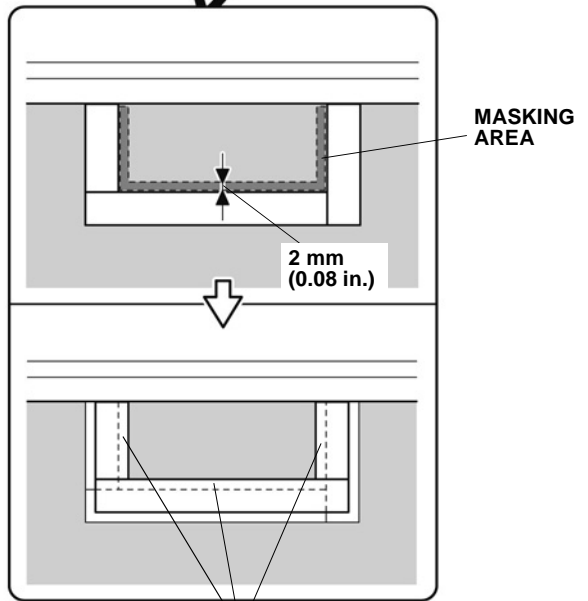
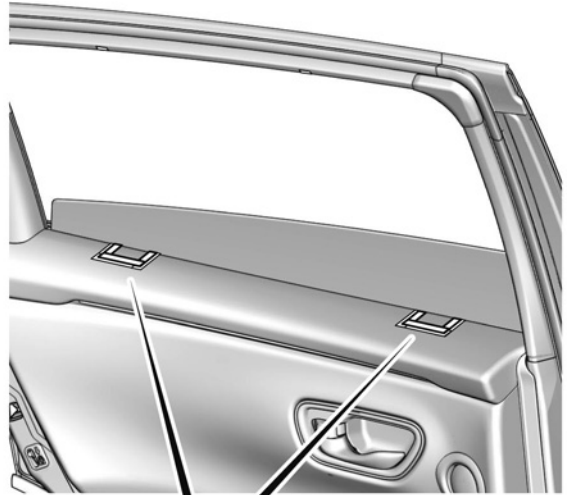
**MASKING TAPES**  
(Attach along the clip.)



**MASKING TAPES**  
(Attach along the clip.)

QM90202DG

- 6. Attach the masking tapes.



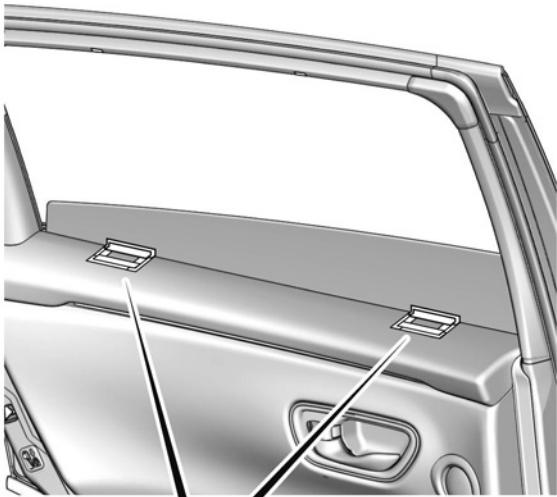
**MASKING AREA**

2 mm  
(0.08 in.)

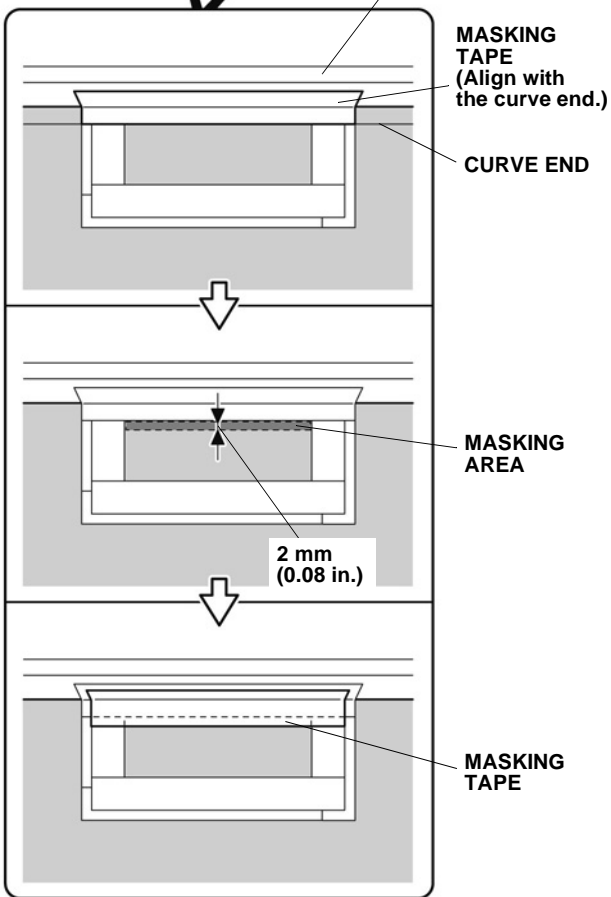
**MASKING TAPES**

QM90203CG

7. Attach the masking tapes.



LEFT REAR WINDOW

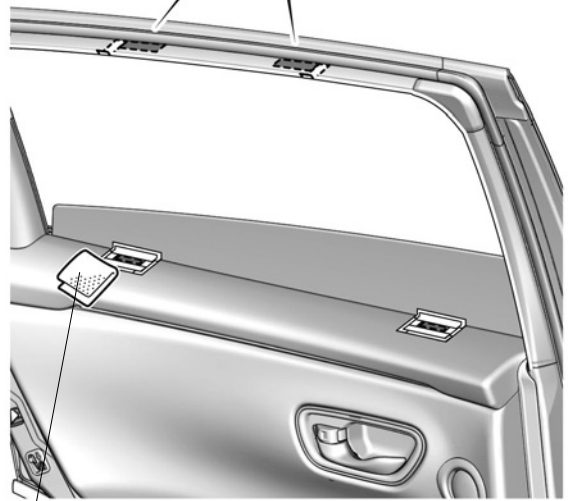
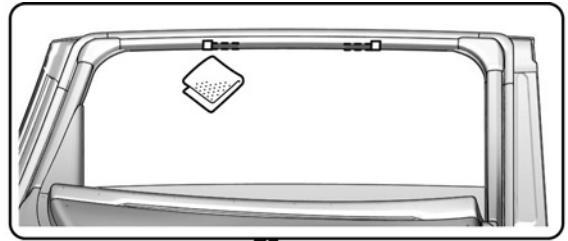


QM90201DG

8. Clean the attaching areas.

**NOTE**

- Allow to dry thoroughly.



CLEANER

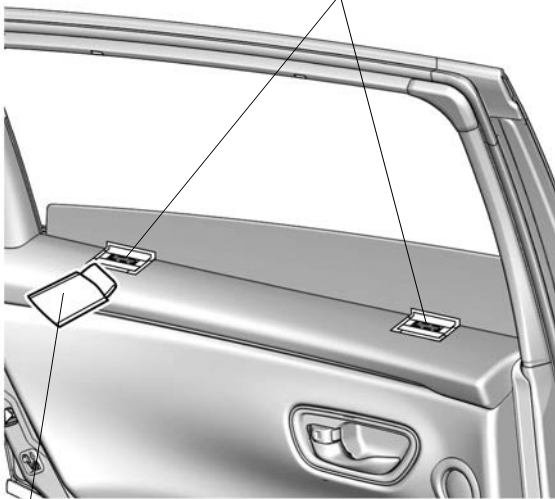
QM90204DG

9. Apply the primer.

**NOTE**

- Apply the primer evenly.
- Be careful not to apply the primer anywhere except the indicated area.
- Do not apply additional primer.
- Attach the accessory within 24 hours after applying the primer.
- Do not use an expired primer.

Dry thoroughly more than 10 minutes after applying the primer.



PRIMER

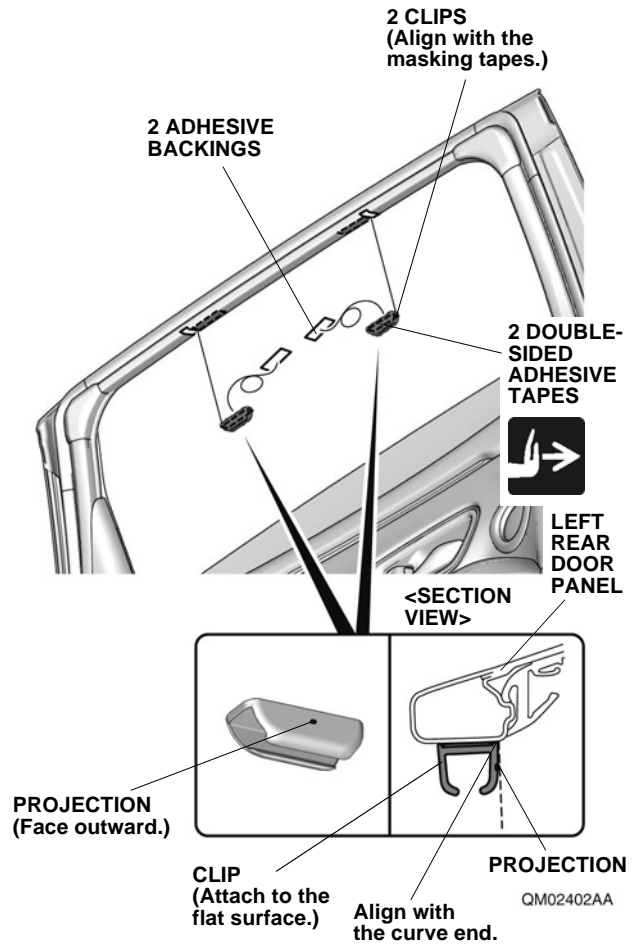
QM90205DG

10. Remove the masking tapes attached in steps 4, 6, and 7.

11. Attach the clips.

**NOTE**

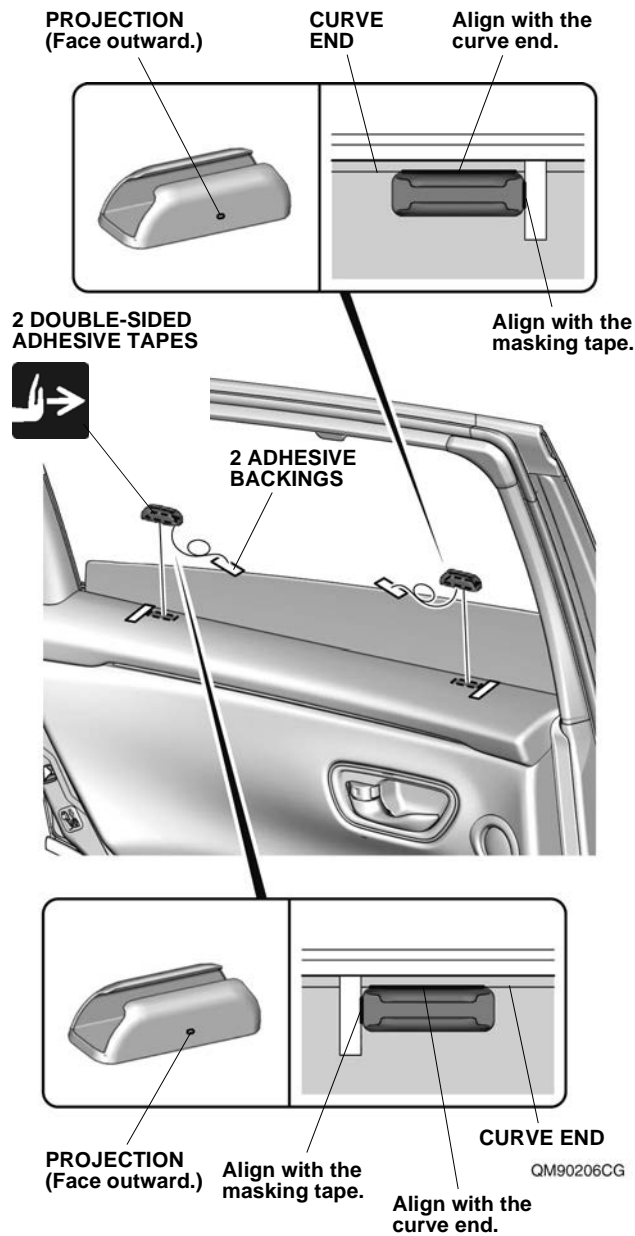
- Check the position of the double-sided adhesive tapes and make sure to press firmly.
- Make sure to install the clips in the correct orientation.
- Press and hold each clip in place for 30 seconds to set the adhesive.



12. Attach the clips.

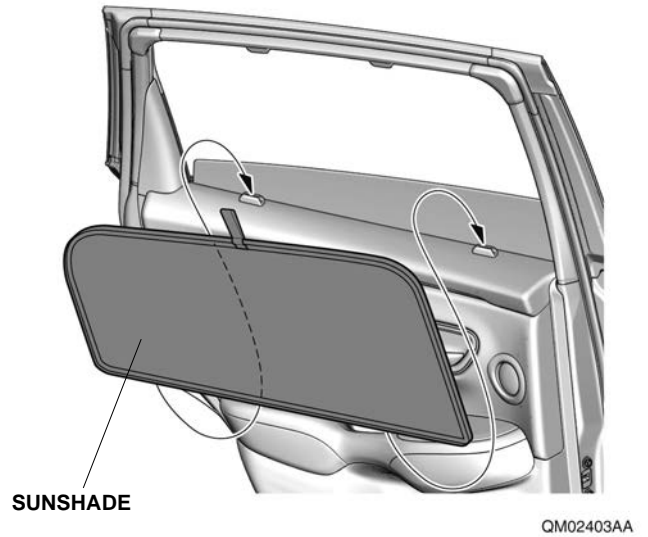
**NOTE**

- Check the position of the double-sided adhesive tapes and make sure to press firmly.
- Make sure to install the clips in the correct orientation.
- Press and hold each clip in place for 30 seconds to set the adhesive.

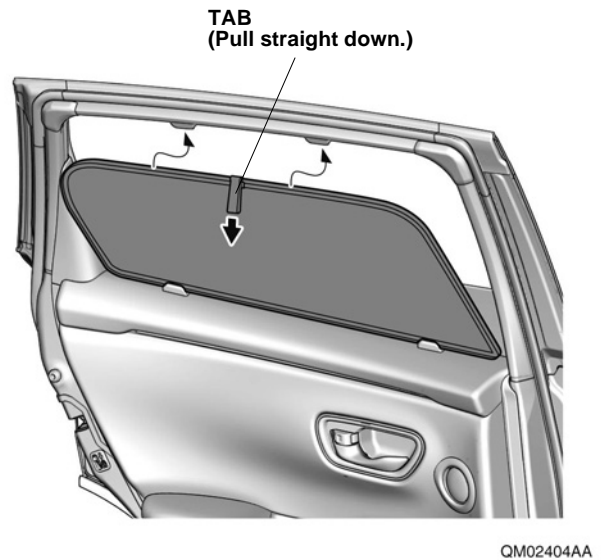


13. Remove the masking tapes.

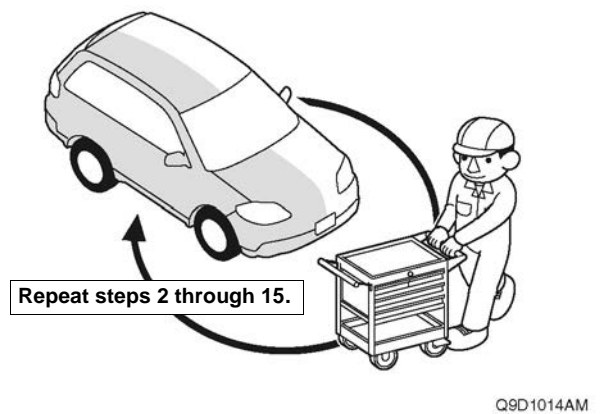
14. Install the sunshade.



15. Install the sunshade.



16. Repeat the same procedures on the other side.



17. Check that all parts are installed properly.  
(End of installation)



Please pass your customer the following things.

- Owner's Manual
- Storage bag