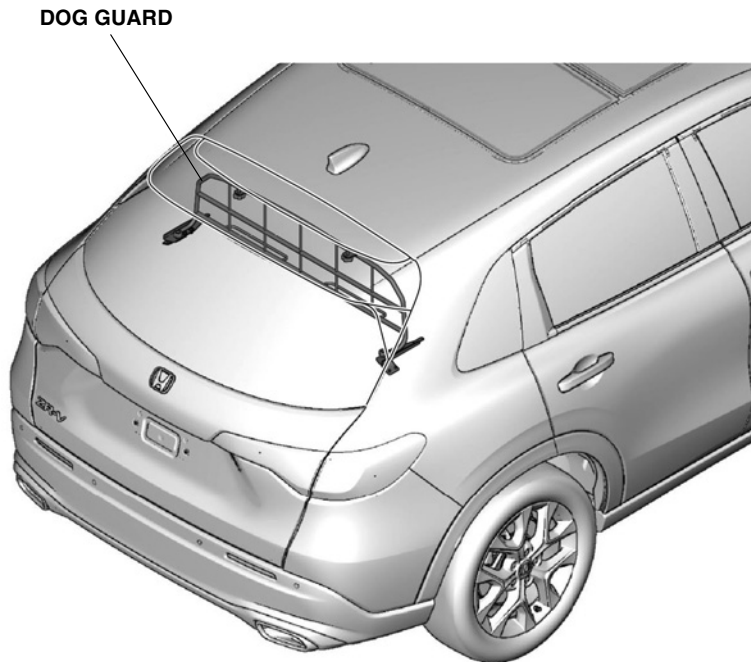


DOG GUARD***ZR-V*****GENERAL VIEW**

QM82301BN

FOR YOUR SAFETY (Read carefully)**Introduction of Symbol Messages**

- These symbols warn you about the possible hazards and explain how to avoid them. And give you some advices.

⚠ DANGER

You will be killed or seriously hurt if you do not follow the instructions.

⚠ WARNING

You can be killed or seriously hurt if you do not follow the instructions.

⚠ CAUTION

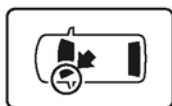
You can be hurt if you do not follow the instructions.

NOTICEGives advice to prevent damage to the product.
Gives helpful information or instructions to be followed in using the product.

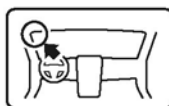
Indicates prohibited actions.

Introduction of Icons

- These icons indicate the working place and the worker's vision.



The place for the vehicle.



The place for the instrument panel.

- These icons indicate the necessary things for your safety and the work.



Wear eye protection.



Wear heavy gloves.



Work with an assistant.



Place the part on a blanket.



Remove any burrs.



Use the touch-up paint and dry.



Keep the parts and give it to the customer.
(Not use)



Press firmly.



Tighten by specified torque.



Work perpendicularly.



Clean with the contact cleaner.

Safety: General

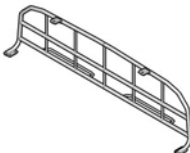

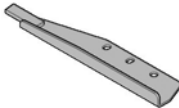
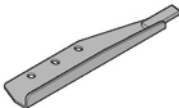
- Observe all safety notes and precautions described in the Shop Manual in addition to those described in this Installation Instructions. Be extremely careful for your safety and safety of others particularly.
- Be careful not to damage the vehicle and the parts.
- Be extremely careful to the handling of the retaining tabs and clips particularly.
- Note the locations of the parts before removing them so that they can be reinstalled in their original positions properly.
- The illustrations may differ a little from the actual accessories for the design change of the vehicle.

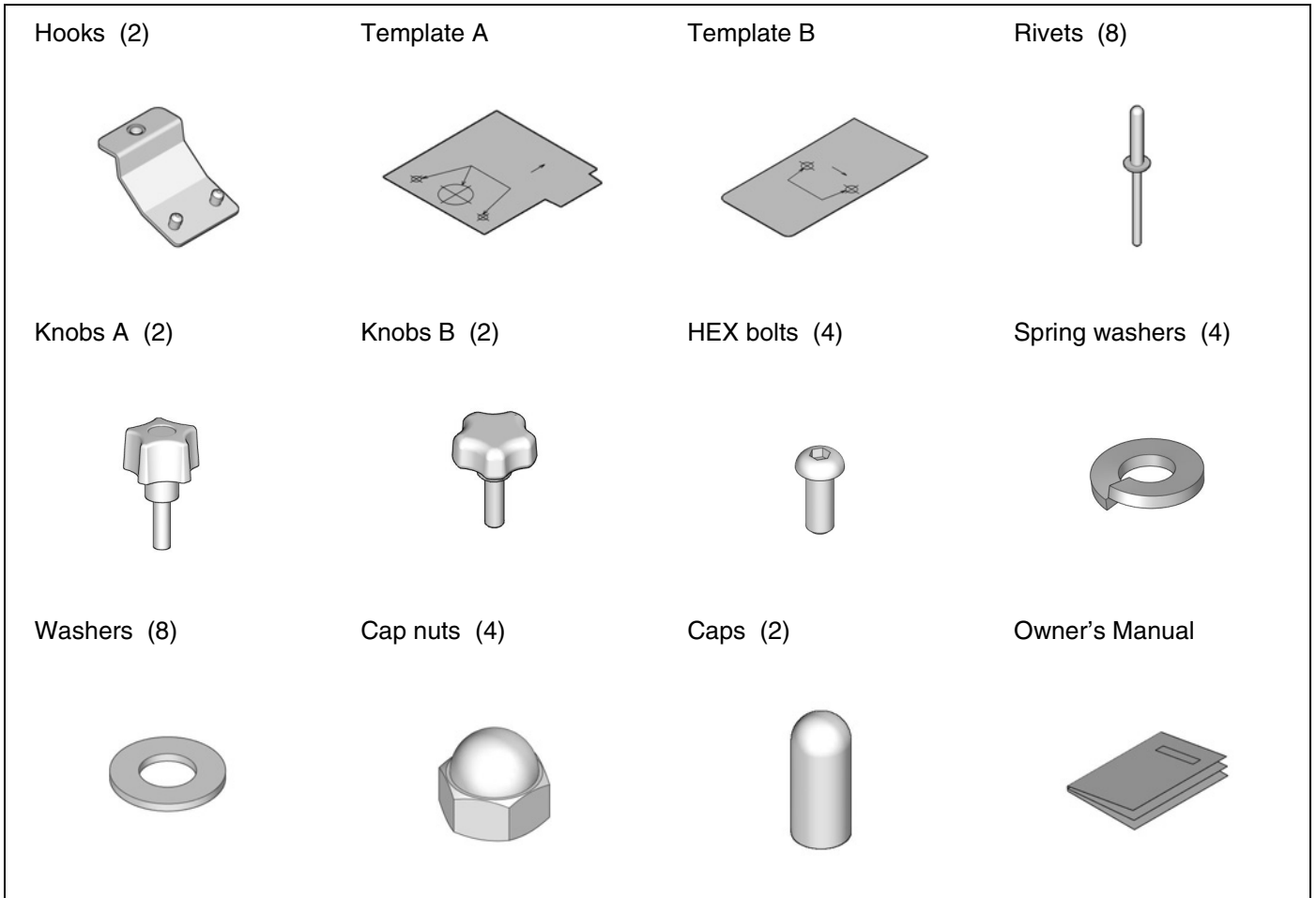
Safety: For the Accessory

- **Always use the parts and tools specified in the installation instructions.**

PARTS LIST

Dog Guard Kit

Dog guard	Brackets A (2)	Left bracket B	Right bracket B
			



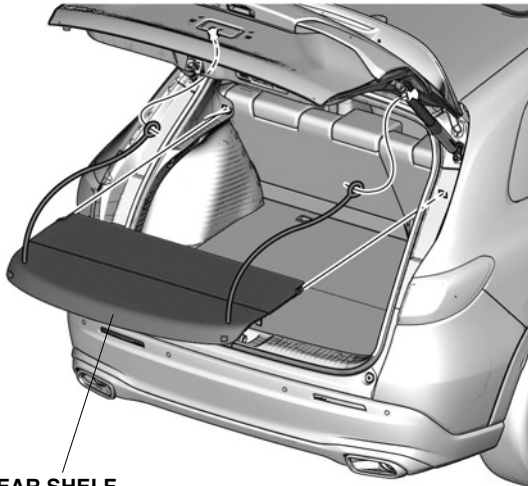
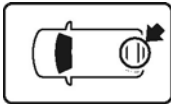
TOOLS AND SUPPLIES REQUIRED

- File
- Pushpin
- Masking tape
- Handy remover
- Eye protection (face shield, safety goggles, etc.)
- 16 mm Hole saw
- Ruler
- Hand riveter
- Ratchet
- 3 mm, 4 mm, and 6 mm Drill bits
- Drill
- Tape
- 5 mm Hex wrench
- 10 mm Socket
- Utility knife

INSTALLATION

Removing the Vehicle Parts

1. Open the tailgate.
2. Remove the rear shelf.

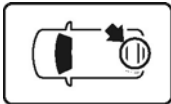


REAR SHELF



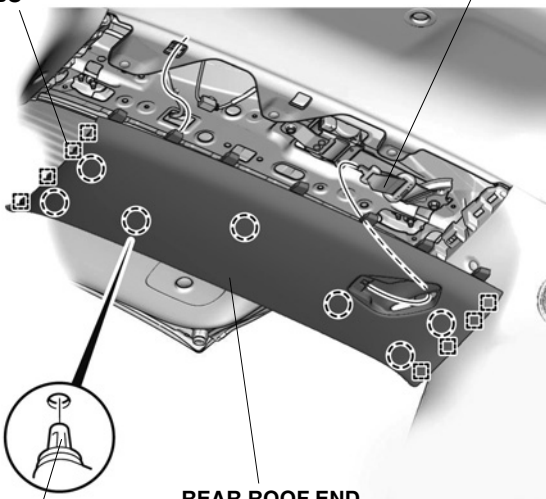
QM80202AB

3. Fold down the rear seats.
4. Remove the rear roof end trim panel.



8 RETAINING TABS

SEAT BELT



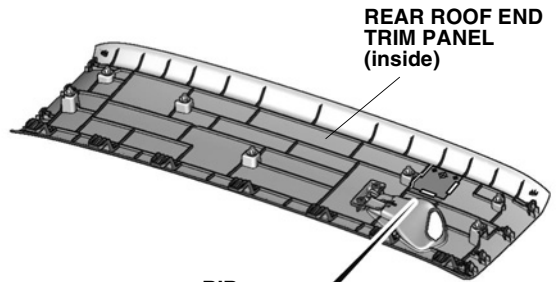
7 CLIPS

REAR ROOF END TRIM PANEL

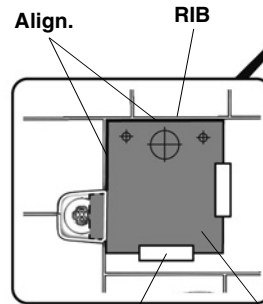
QM82302AN

Installing the Dog Guard

5. Secure the template A.



REAR ROOF END TRIM PANEL (inside)



Align.

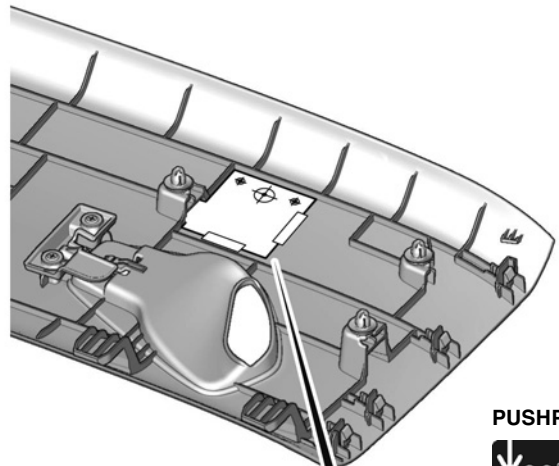
RIB

MASKING TAPES

TEMPLATE A

QM82303AN

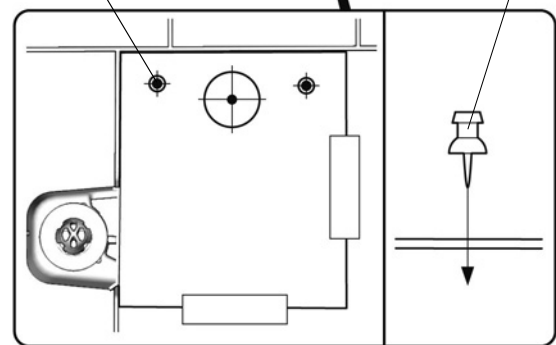
6. Pierce the rear roof end trim panel.



PUSHPIN



● : 3 MARKS

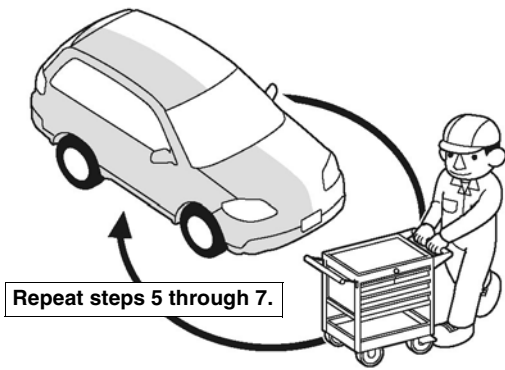


3 PRINTED MARKS

QM82304AN

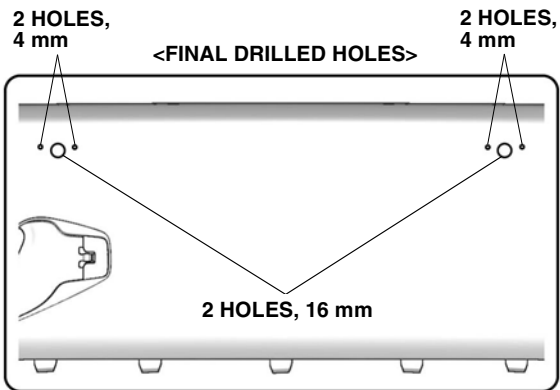
7. Remove the template A.

8. Flip the template A, and repeat the same procedures on the other side.

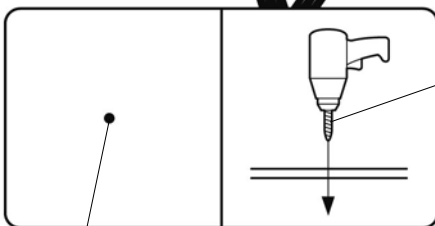
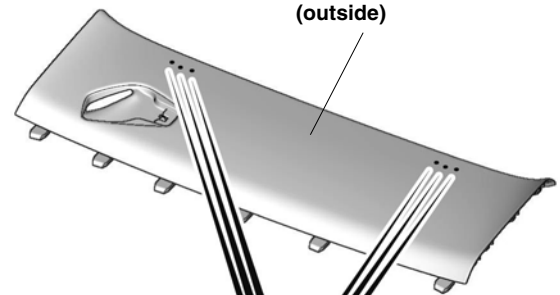


Q9D1014AM

9. Drill the rear roof end trim panel.



REAR ROOF END TRIM PANEL (outside)



●: 6 MARKS

DRILL BIT 4 mm

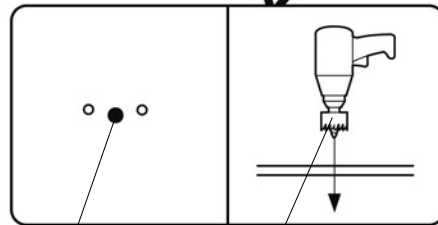
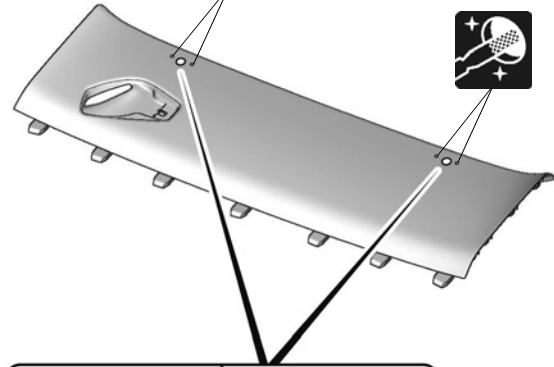


QM82305AN

10. Drill the rear roof end trim panel.

NOTICE

- Make sure to drill the correct position.



●: 2 HOLES

HOLE SAW 16 mm

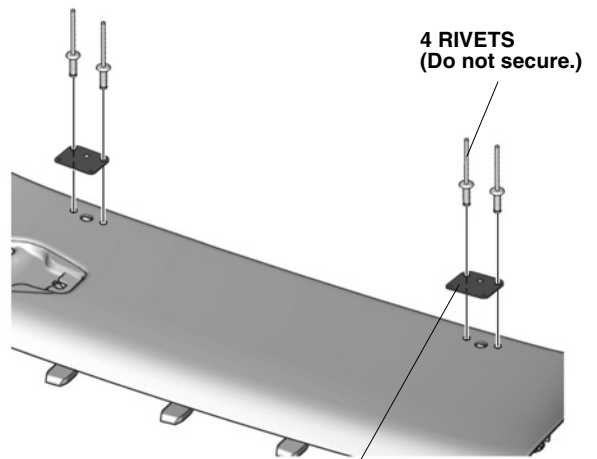
QM82306AN



11. Loosely install the brackets A.

NOTICE

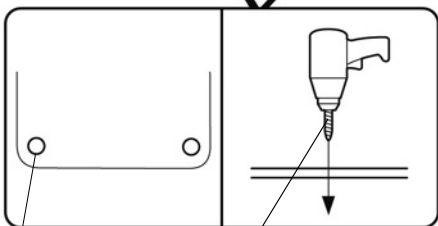
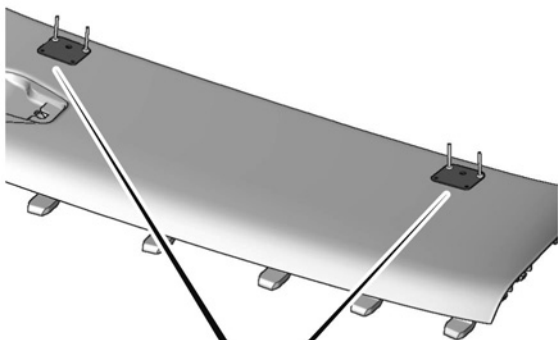
- Make sure to install the brackets in the correct orientation.



2 BRACKETS A

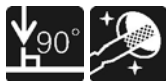
QM82307AN

12. Drill the rear roof end trim panel.



4 BRACKET A HOLES

DRILL BIT
4 mm



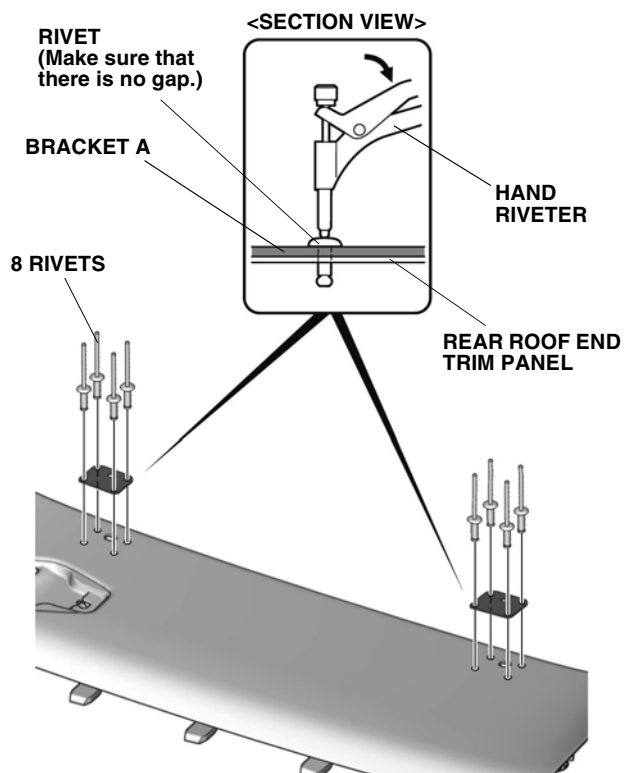
QM82308AN

13. Remove the brackets A.

14. Secure the brackets A.

NOTICE

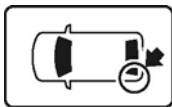
- Make sure to install the brackets in the correct orientation.



QM82309AN

15. Reinstall the rear roof end trim panel.

16. Secure the template B.



MASKING TAPES

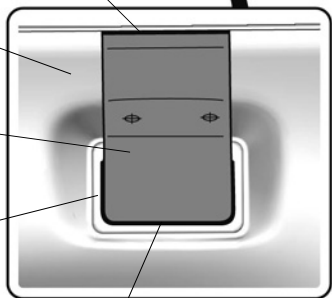


Align with the curved end.

LEFT REAR SIDE TRIM PANEL

TEMPLATE B

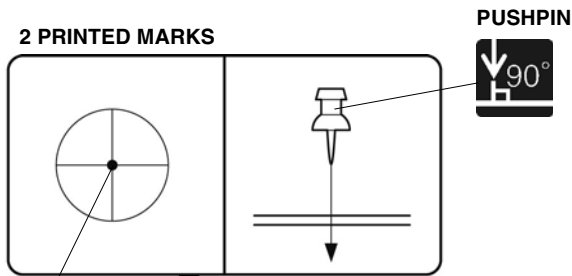
CARGO AREA LIGHT



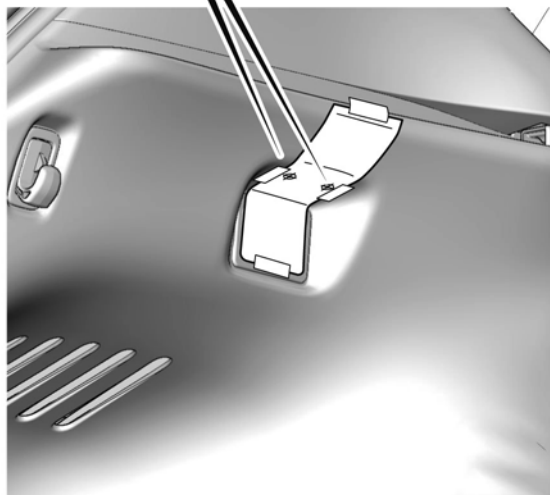
Align with the curved end.

QM82310AN

17. Pierce the left rear side trim panel.



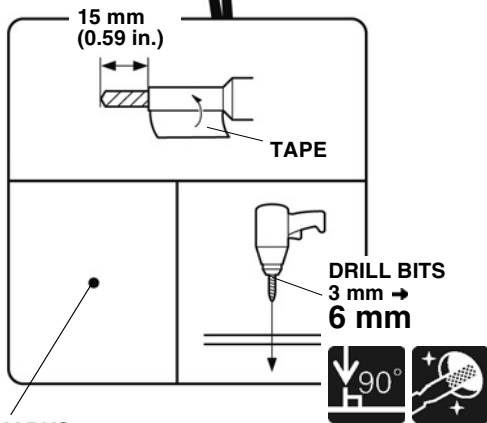
●: 2 MARKS



QM82311AN

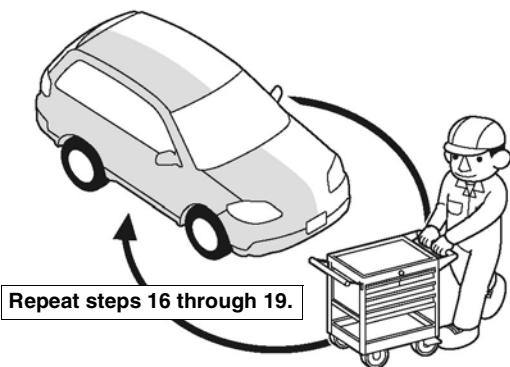
18. Remove the template B.

19. Drill the left rear side trim panel.



QM82314BN

20. Flip the template B, and repeat the same procedures on the other side.

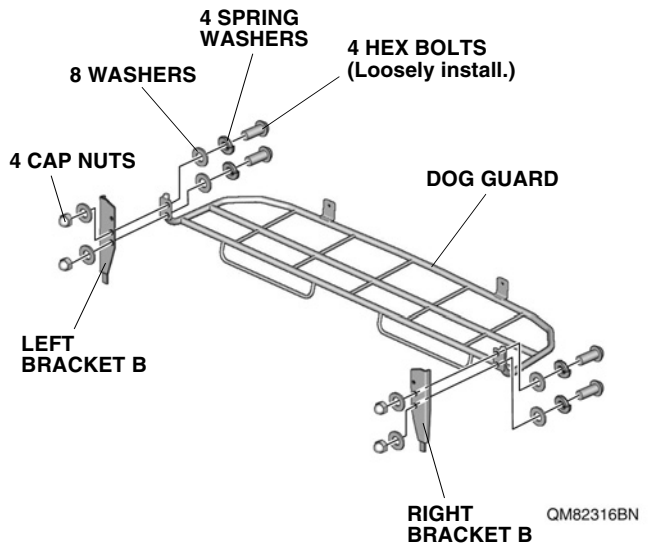


Q9D1014AM

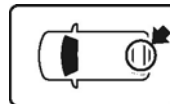
21. Loosely install the left bracket B and right bracket B.

NOTICE

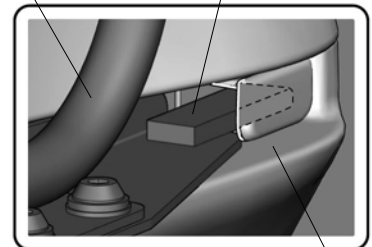
- Make sure to install the brackets in the correct orientation.



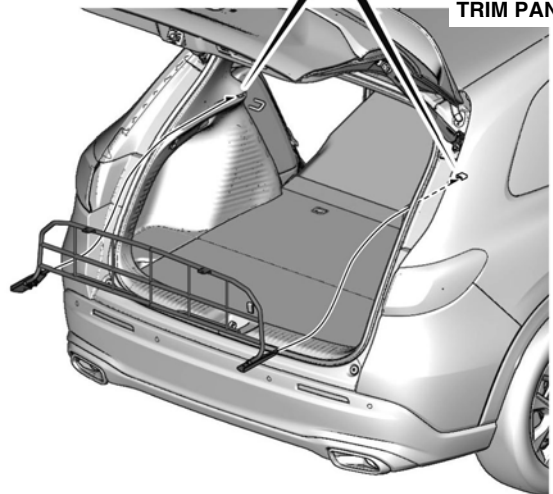
22. Install the dog guard.



DOG GUARD LEFT BRACKET B AND RIGHT BRACKET B

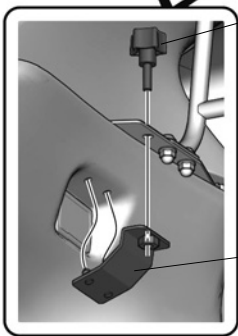
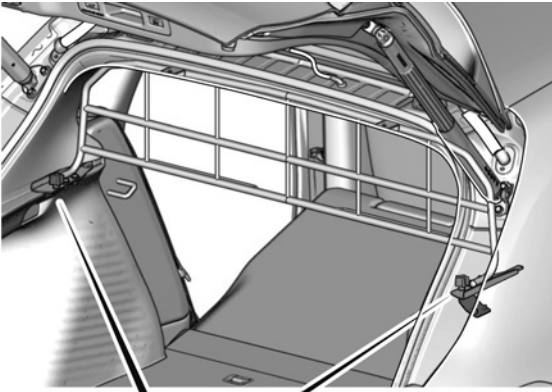


REAR SIDE TRIM PANEL



QM82317BN

23. Loosely install the hooks.

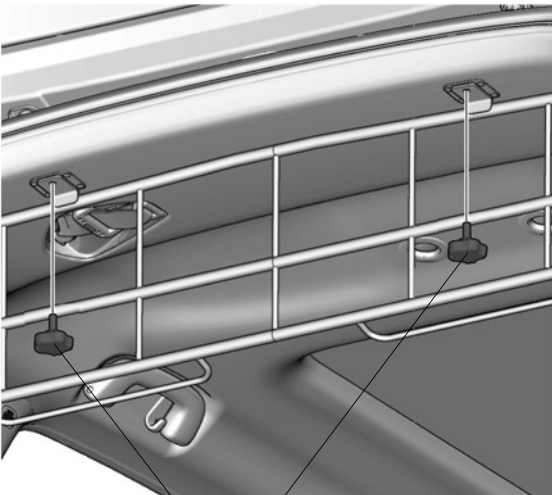


2 KNOBS A
(Loosely secure.)

2 HOOKS

QM82319CN

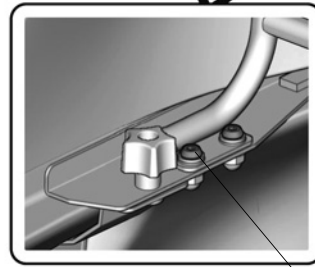
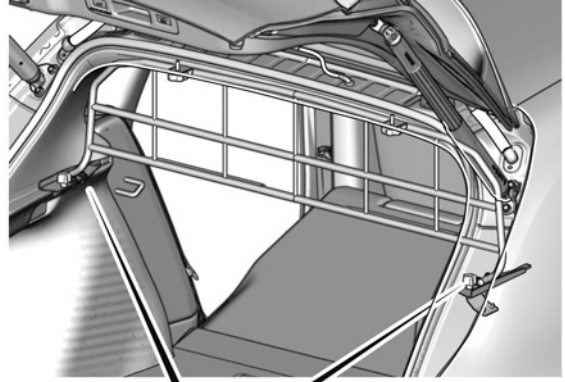
24. Loosely secure the dog guard.



2 KNOBS B
(Loosely secure.)

QM82320AN

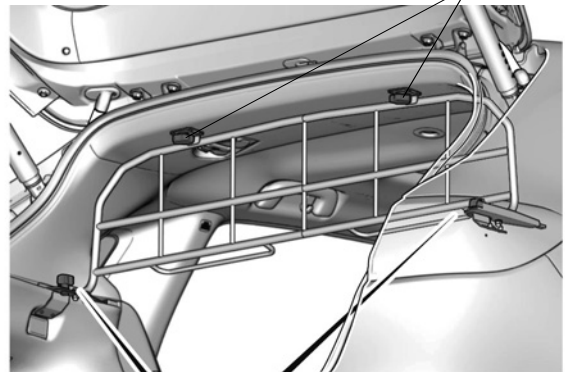
25. Secure the left bracket B and right bracket B.



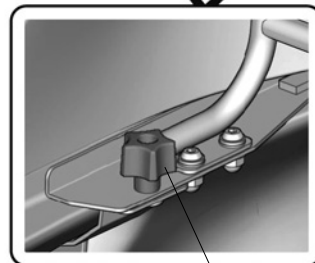
4 HEX BOLTS
(Tighten.)

QM82321BN

26. Tighten the knobs A and knobs B.



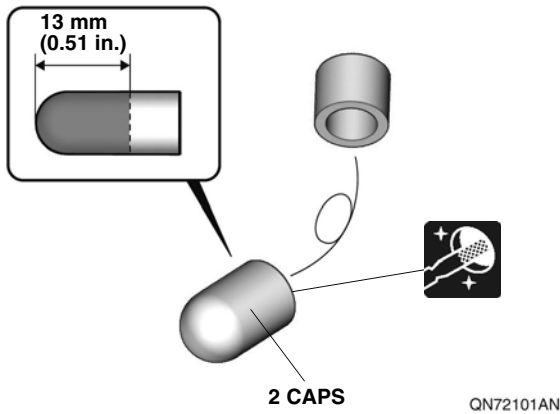
2 KNOBS B
(Tighten.)



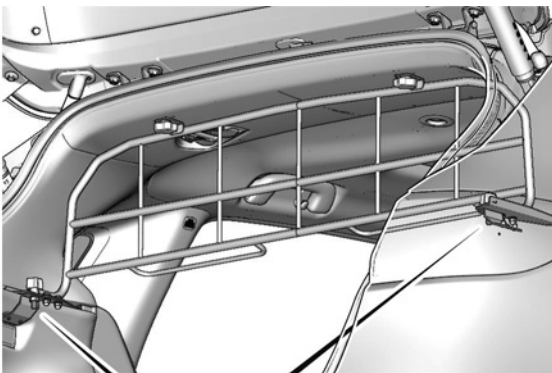
2 KNOBS A
(Tighten.)

QM82322CN

27. Cut the caps.

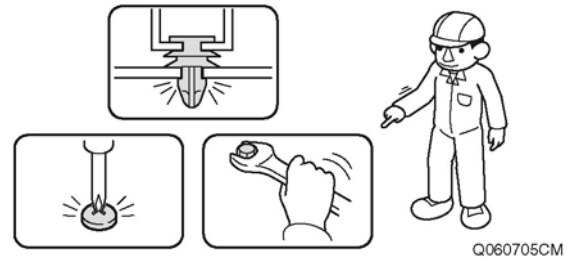


28. Install the caps.



Check After Installation

29. Check that all parts are installed properly.



Please pass your customer the following things.

- Owner's Manual