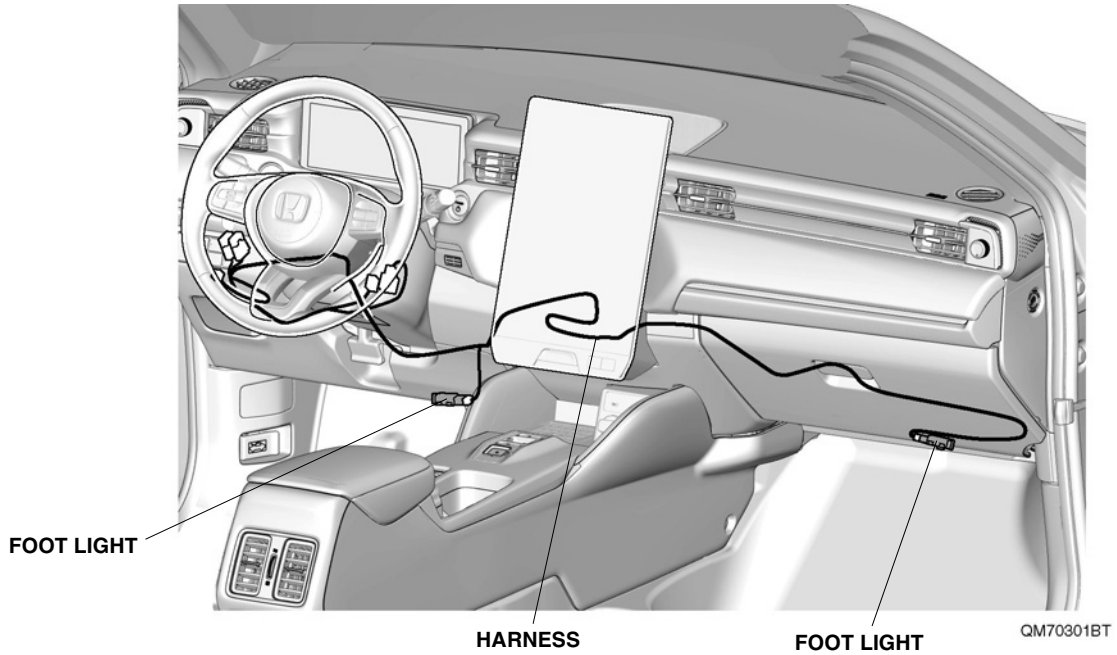


FOOT LIGHTS

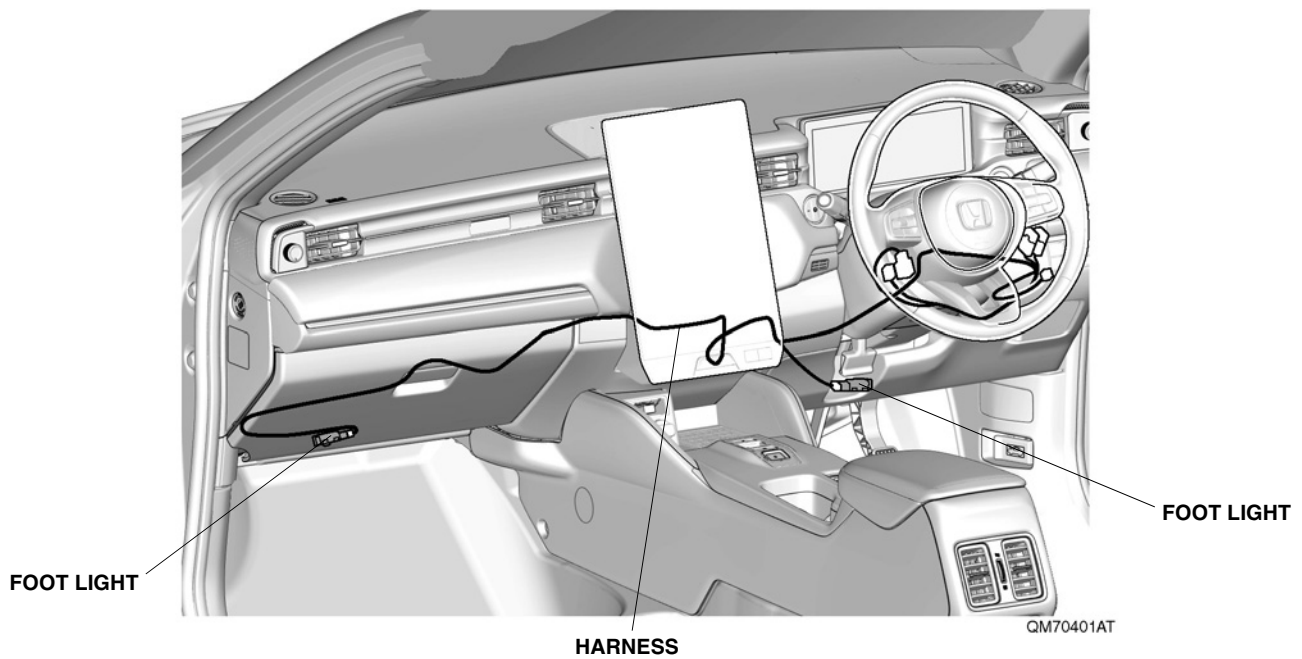
e:Ny1

GENERAL VIEW

<LHD models>



<RHD models>



FOR YOUR SAFETY (Read carefully)

Introduction of Symbol Messages

- These symbols warn you about the possible hazards and explain how to avoid them. And give you some advices.



You will be killed or seriously hurt if you do not follow the instructions.



You can be killed or seriously hurt if you do not follow the instructions.



You can be hurt if you do not follow the instructions.



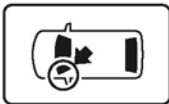
Gives advice to prevent damage to the product.
Gives helpful information or instructions to be followed in using the product.



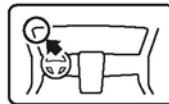
Indicates prohibited actions.

Introduction of Icons

- These icons indicate the working place and the worker's vision.



The place for the vehicle.



The place for the instrument panel.

- These icons indicate the necessary things for your safety and the work.



Wear eye protection.



Wear heavy gloves.



Work with an assistant.



Place the part on a blanket.



Remove any burrs.



Use the touch-up paint and dry.



Keep the parts and give it to the customer.
(Not use)



Press firmly.



Tighten by specified torque.

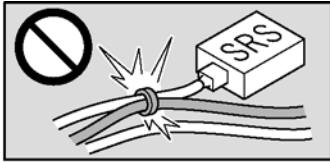


Work perpendicularly.



Clean with the contact cleaner.

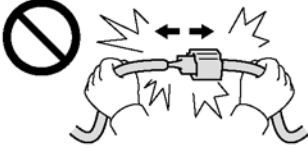
Wire Harness Routing Precaution



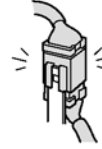
Do not clamp the accessory harness and SRS harness together. (except for instruction cases).



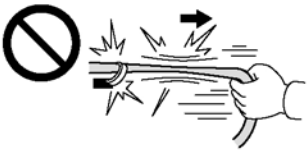
Connect the connectors and terminals securely until they lock.



Do not pull the harness to disconnect the connectors.



Reinstall the connectors to the original positions if they are removed.



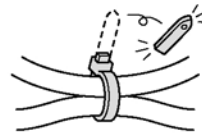
Do not pull the harness strongly.



Secure the accessory harness to the specified position, not to hang down.



Do not pinch the harness with the parts.



Cut off the excess of the wire ties.

Safety: General

- Observe all safety notes and precautions described in the Shop Manual in addition to those described in this Installation Instructions. Be extremely careful for your safety and safety of others particularly.
- Be careful not to damage the vehicle and the parts.
- Be extremely careful to the handling of the retaining tabs and clips particularly.
- Note the locations of the parts before removing them so that they can be reinstalled in their original positions properly.
- The illustrations may differ a little from the actual accessories for the design change of the vehicle.

Safety: For Electric Parts

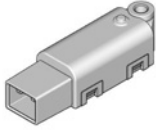

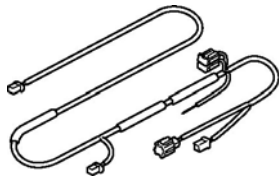

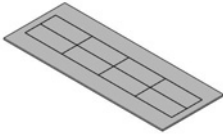


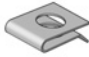





- Do not perform the installation of the accessories with having connected negative cable of the battery.

Safety: For the Accessory

- **Always use the parts and tools specified in the installation instructions.**
- **Do not perform installation work and attaching work at the place where gets the direct rays of the sun or the dust appears.**
- **Always install these accessories at the ambient air temperature 15°C (60°F) or above.**
- **Heat the accessories and bonding surfaces if the ambient air temperature is below 15°C (60°F).**
- **Attach the accessories by pressing it firmly with the palm of your hand. Be careful not to damage the accessories and the vehicle parts.**
- **Carefully place the double-sided adhesive tape on the proper position. Once the double-sided adhesive tape touches the surface, do not try to detach and relocate it. If you attempt to move after it touches the surface, you will damage the part before the adhesive will give way.**

PARTS LIST

Foot Light Kit

<p>Foot lights (2)</p> 	<p>Bracket</p> 	<p>Harness</p> 	<p>Wire ties (13)</p> <p>(Some may not be used)</p> 
<p>Fuse label</p> 	<p>Washer-screw</p> 	<p>Self-tapping screws (2)</p> 	<p>Spring nut</p> 
<p>Wire ties with holder A (3)</p> <p>(Some may not be used)</p> 	<p>Wire tie with holder B (3)</p> <p>(May not be used)</p> 	<p>Joint connector cover</p> 	<p>Joint connector case</p> 
<p>Wire ties with holder C (3)</p> <p>(Some may not be used)</p> 			

TOOLS AND SUPPLIES REQUIRED

- Phillips screwdriver
- Contact cleaner
- Ratchet
- Tape
- Electrical tape
- 10 mm Open end wrench
- Shop towel
- 10 mm Socket
- Pliers
- Scissors
- Nippers
- Handy remover
- Flat-tip screwdriver
- Ruler

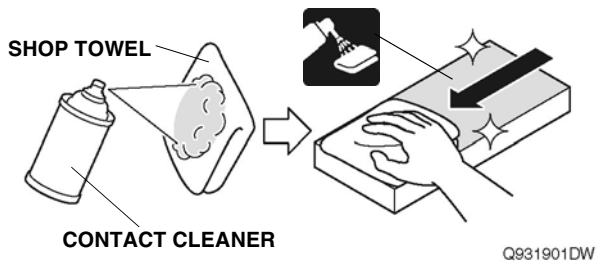
INSTALLATION

How to Use the Contact Cleaner

- Using contact cleaner on a shop towel, thoroughly clean the areas where the accessories will be attached.

NOTICE

- Always use the contact cleaner.
- Do not apply the cleaner to the object of the work directly.
- Allow to dry completely the cleaned areas before attachment work.



Disconnecting the Battery Cable

1. Perform the works before disconnecting the negative cable from the battery as shown below.
2. Make sure if you have the anti-theft code for the audio/navigation system. Record some settings of the vehicle if necessary.
3. Turn the power switch to ON.
4. Turn the power switch to OFF.

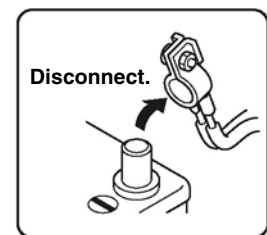
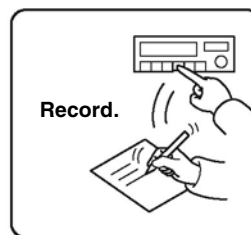
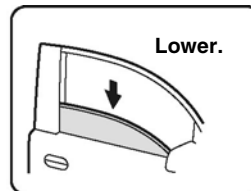
NOTICE

- Make sure that the indicator of power switch is lighted out.

5. Disconnect the negative cable from the battery.

NOTICE

- With the driver's door open, turn the vehicle to the OFF (LOCK) mode, then wait at least 3 minutes before disconnecting the 12 volt negative battery cable.



QCD0502BM

6. Follow the below guidance.

• LHD models

To step 7

• RHD models

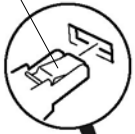
To step 40

Removing the Vehicle Parts (LHD)

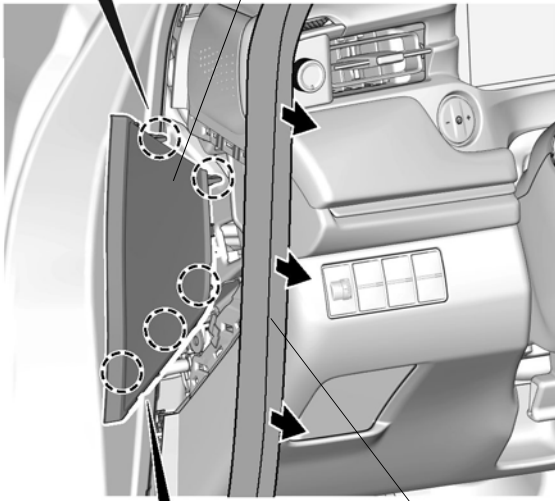
7. Remove the driver's dashboard side lid.



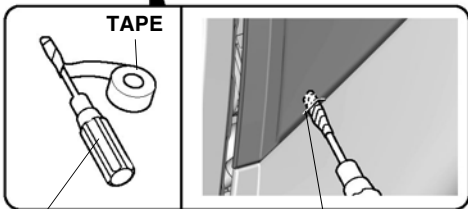
5 CLIPS



DRIVER'S DASHBOARD SIDE LID



DOOR OPENING SEAL



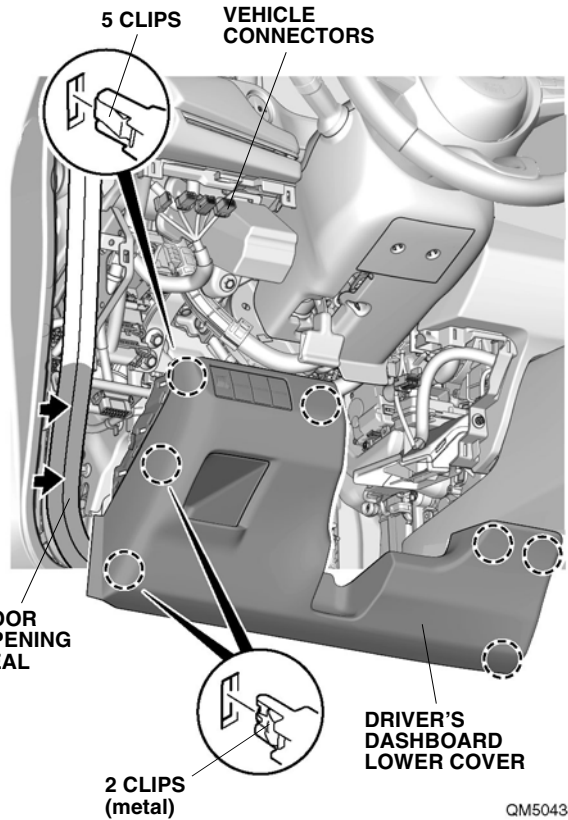
TAPE

FLAT-TIP SCREWDRIVER

CUTOUT

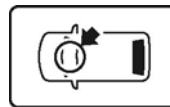
QM50433AT

8. Remove the driver's dashboard lower cover.



QM50434AT

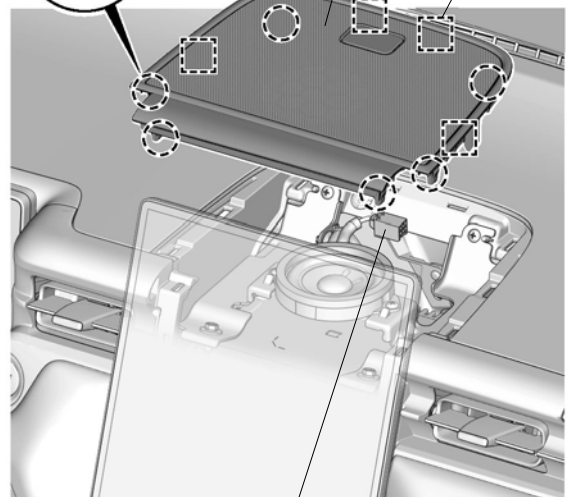
9. Remove the center speaker lid.



6 CLIPS

CENTER SPEAKER LID

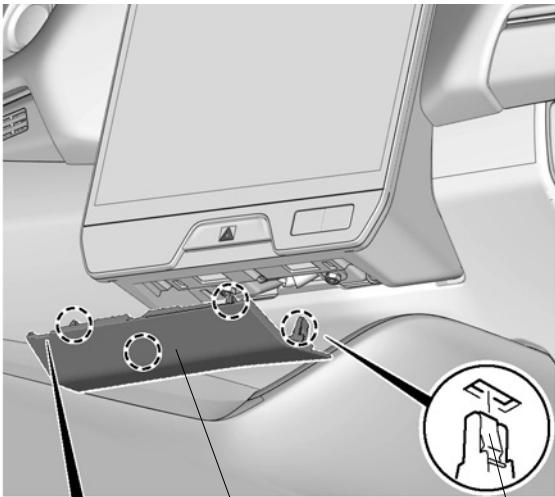
4 RETAINING TABS



VEHICLE CONNECTOR

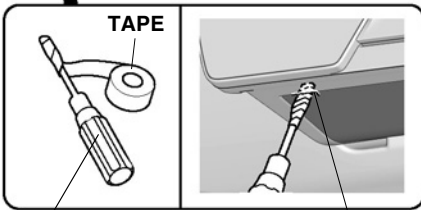
QM50426CT

10. Remove the center under lid.



CENTER UNDER LID

4 CLIPS



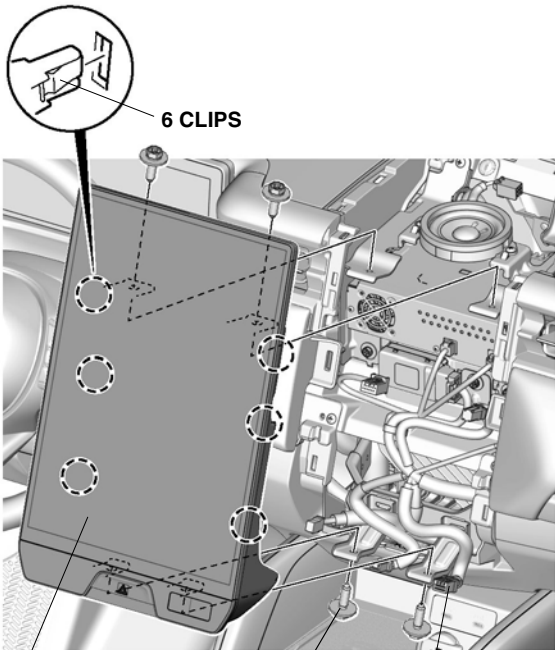
TAPE

CUTOUT

FLAT-TIP
SCREWDRIVER

QM50427AT

11. Remove the center display.



6 CLIPS

CENTER
DISPLAY

4 BOLTS

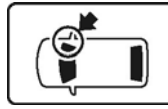
VEHICLE
CONNECTORS

QM50428CT

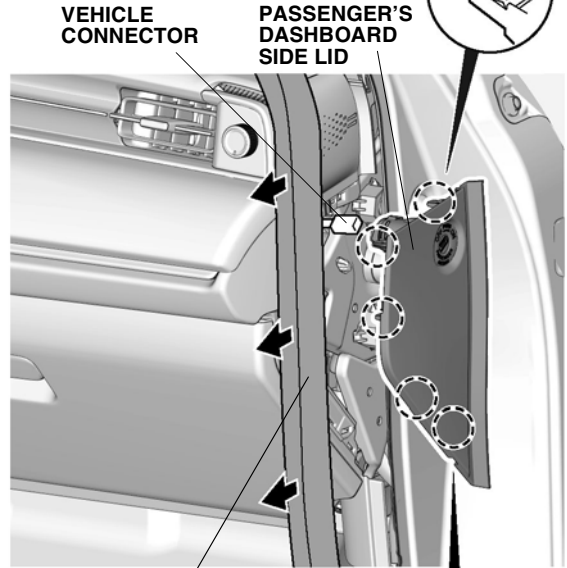
12. Remove the passenger's dashboard side lid.

CAUTION

- Work after leaving more than three minutes after disconnecting the negative cable from the battery.



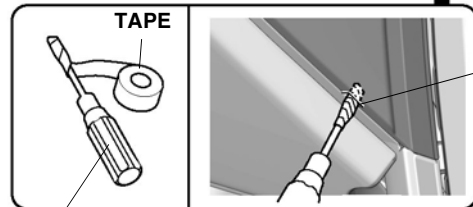
5 CLIPS



VEHICLE
CONNECTOR

PASSENGER'S
DASHBOARD
SIDE LID

DOOR OPENING SEAL



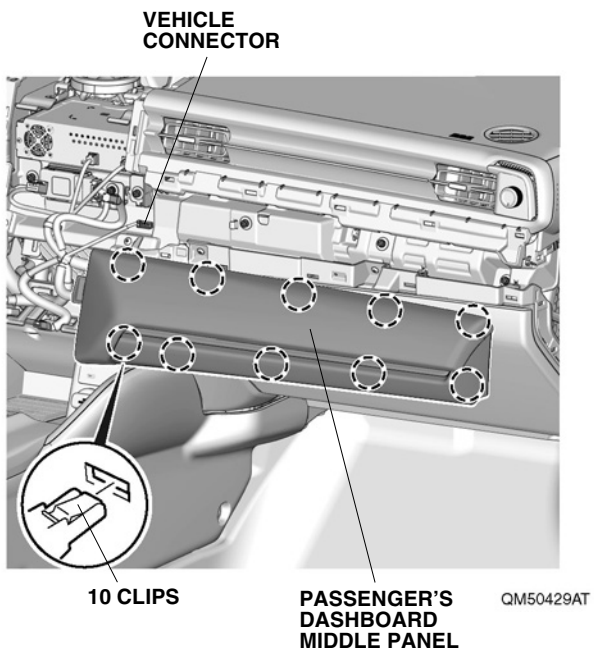
TAPE

CUTOUT

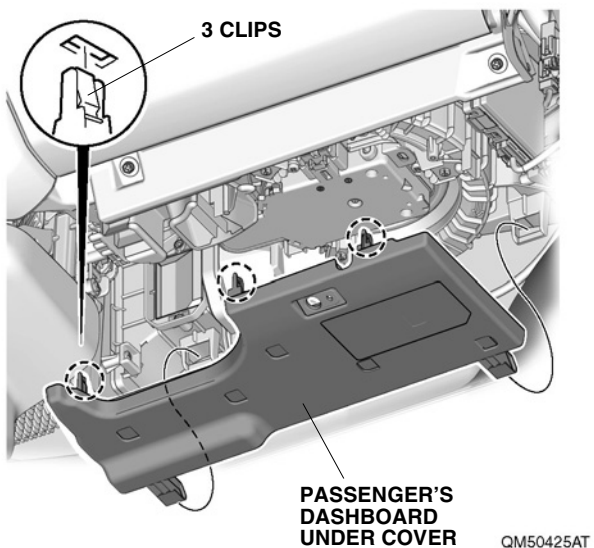
FLAT-TIP
SCREWDRIVER

QM50424AT

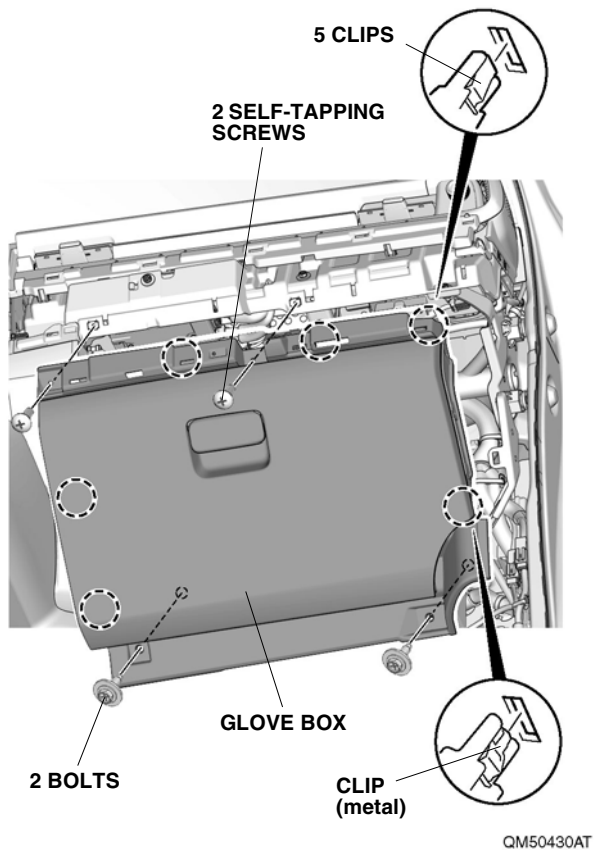
13. Remove the passenger's dashboard middle panel.



14. Remove the passenger's dashboard under cover.



15. Remove the glove box.

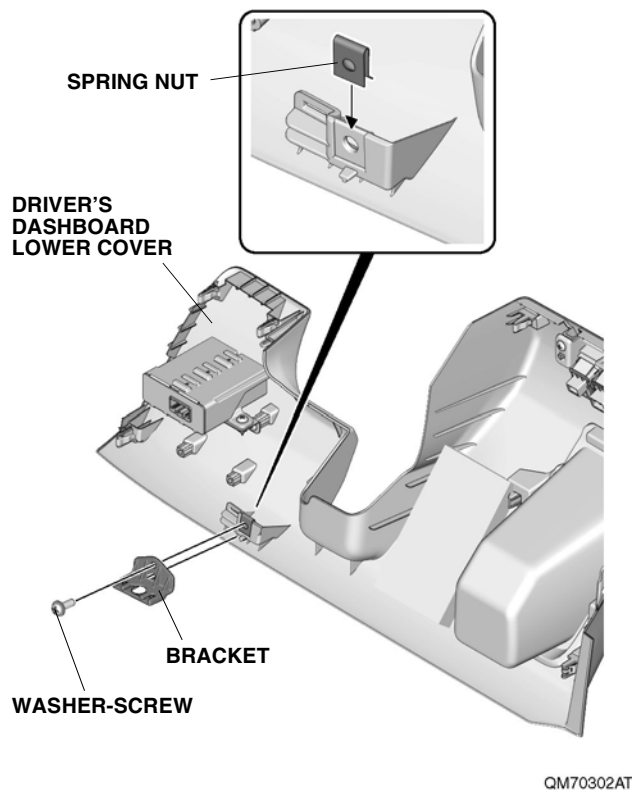


Installing the Lights (LHD)

16. Install the bracket.

NOTICE

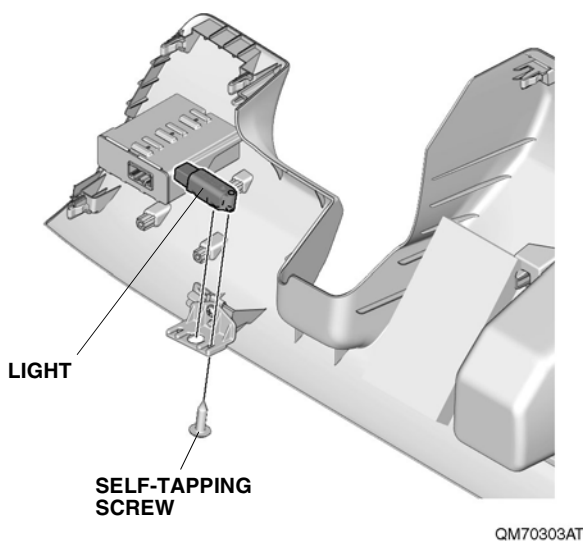
- Make sure to install the spring nut in the correct orientation.



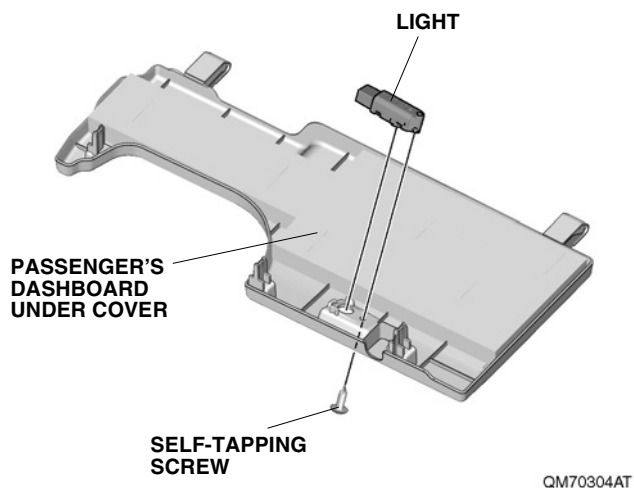
17. Install the light.

NOTICE

- Make sure to install the light in the correct orientation.

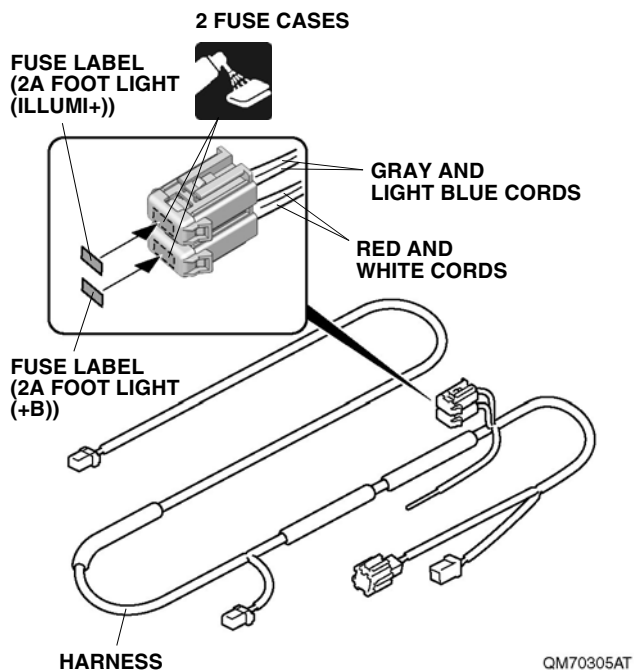


18. Install the light.

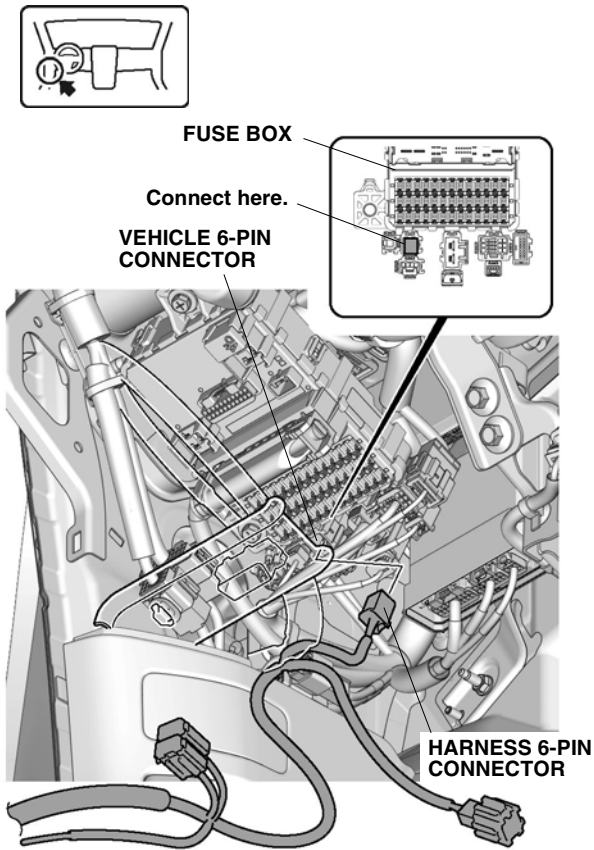


Routing the Harness (LHD)

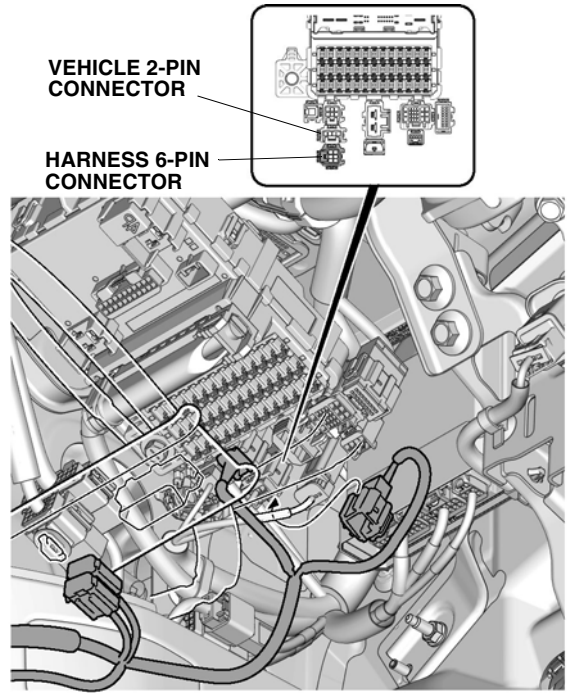
19. Attach the fuse labels.



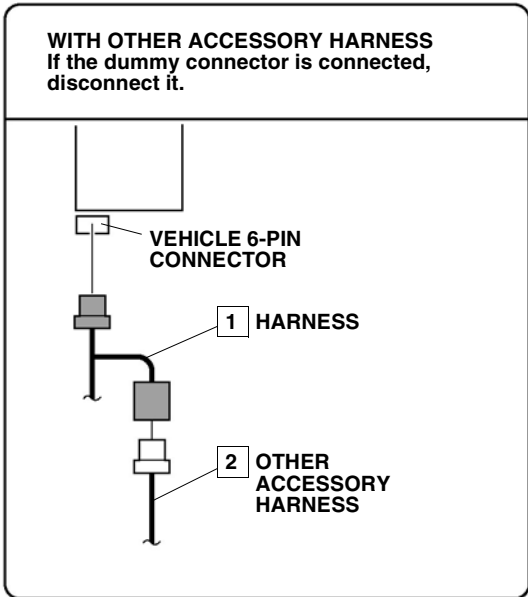
20. Connect the harness connector.



21. Secure the harness connector.



QM70307CT

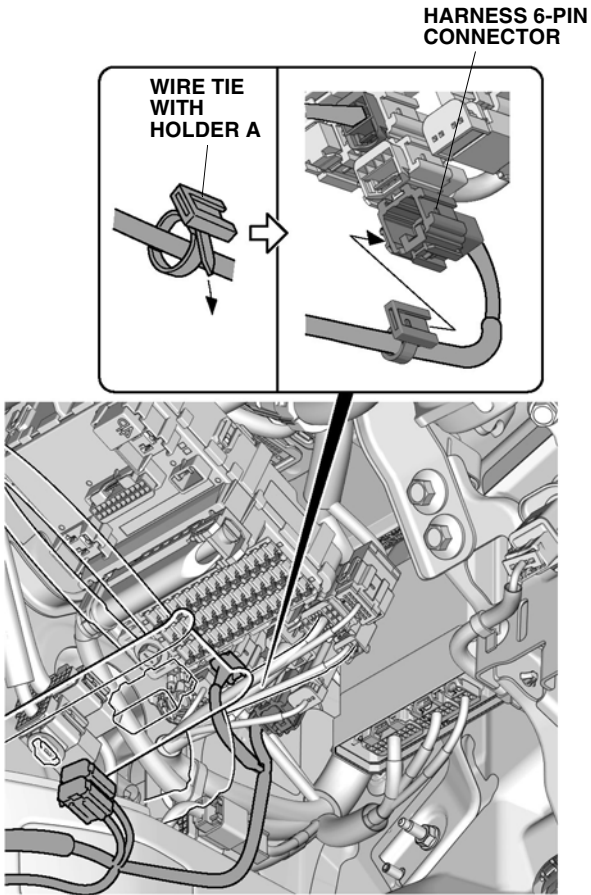


QM70306BT

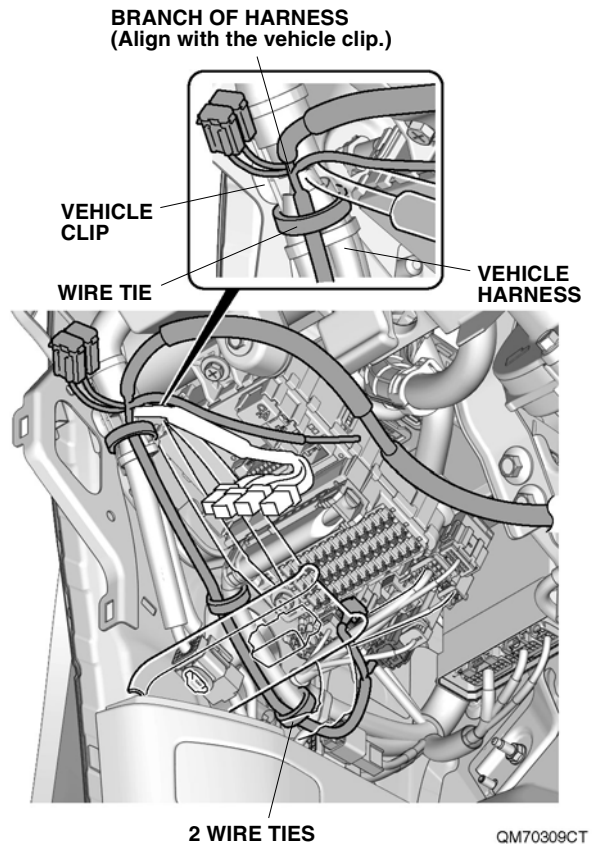
22. Secure the harness.

NOTICE

- Make sure to install the wire tie with holder in the correct orientation.



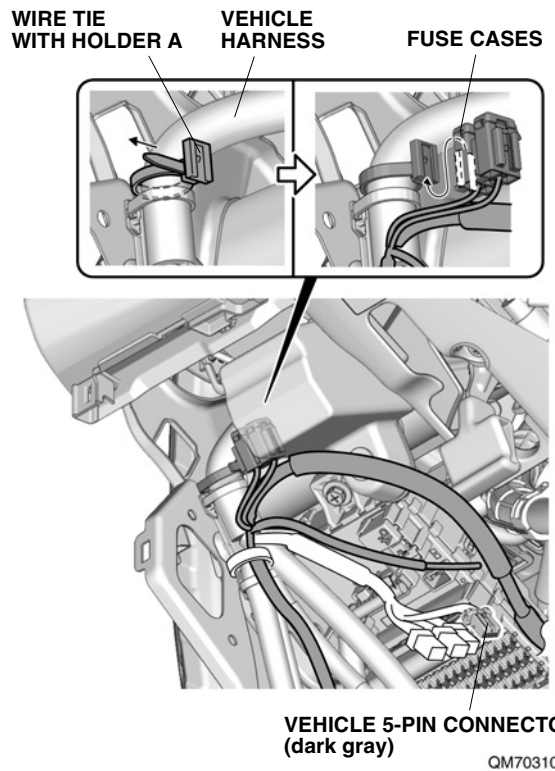
23. Secure the harness.



24. Secure the fuse cases.

NOTICE

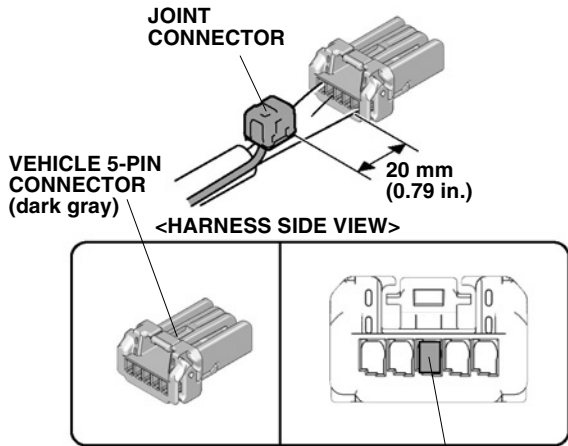
- Make sure to install the wire tie with holder in the correct orientation.



25. Connect the harness cord.

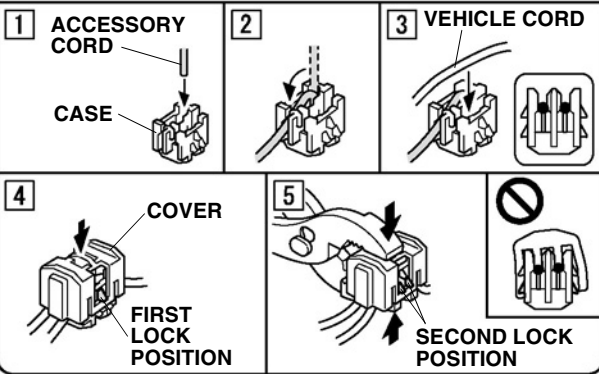
NOTICE

- Make sure to correctly connect the cord.



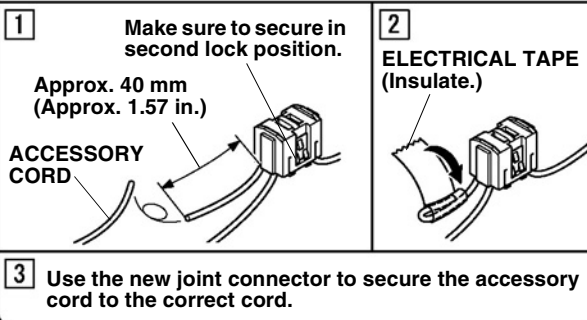
VEHICLE CORD: BLACK
ACCESSORY CORD: BLACK

How to Use the Joint Connector



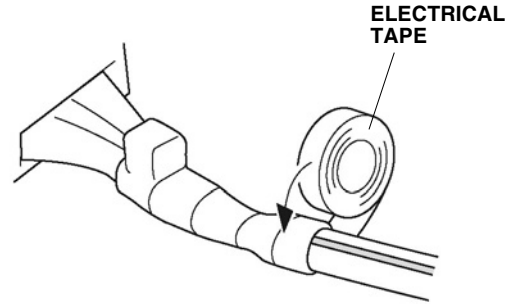
How to deal with the incorrectly secured joint connector.

Do not remove the secured joint connector once.



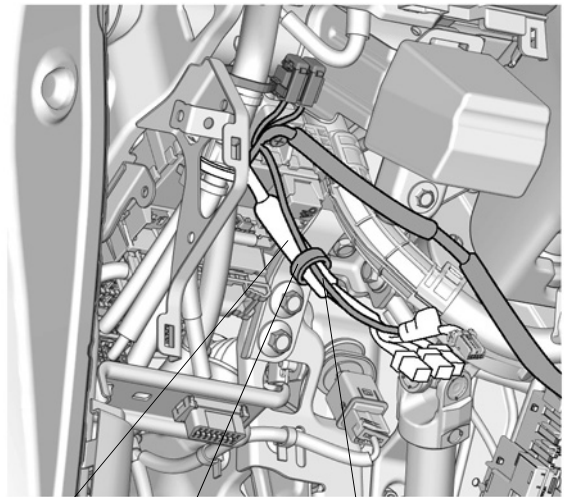
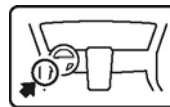
QM70312AT

26. Secure the harness cord.



QG01906AB

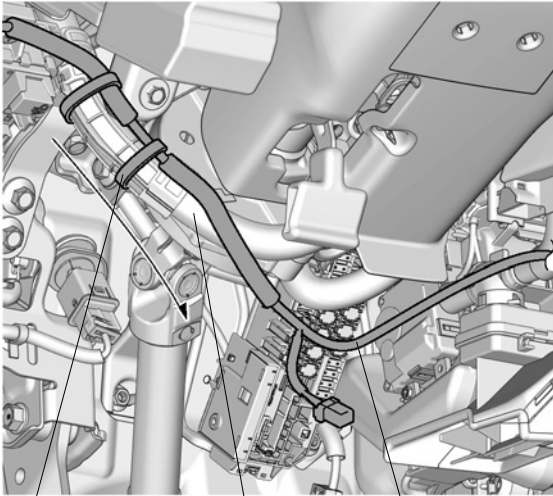
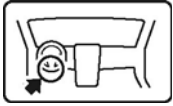
27. Secure the harness.



VEHICLE HARNESS WIRE TIE HARNESS

QM70313AT

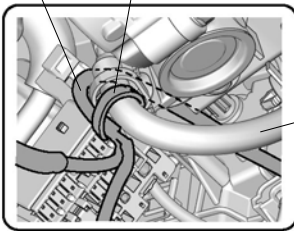
28. Secure the harness.



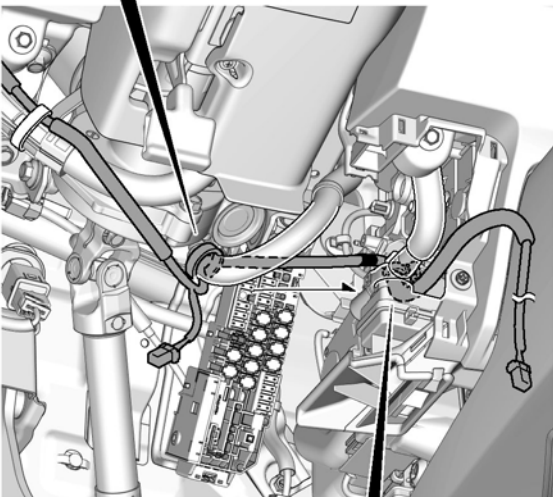
2 WIRE TIES VEHICLE HARNESS HARNESS QM70314AT

29. Secure the harness.

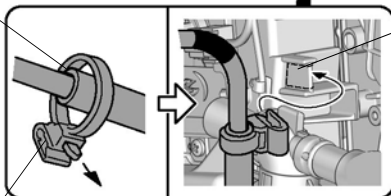
HARNESS WIRE TIE



VEHICLE HARNESS



EDGE OF URETHANE TAPE

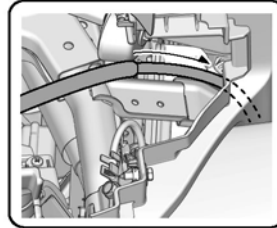
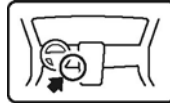


RIB

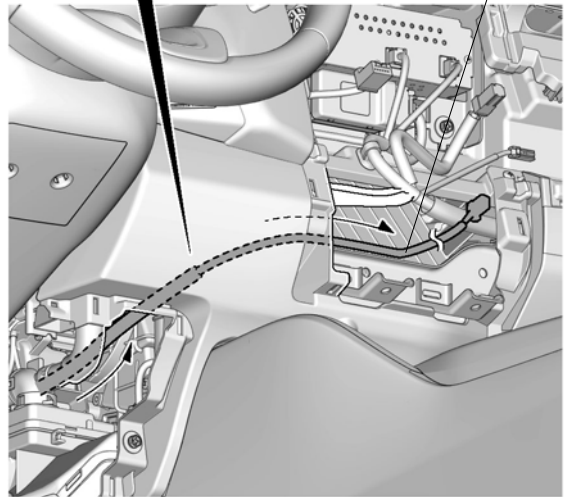
WIRE TIE WITH HOLDER C

QM70315CT

30. Route the harness.

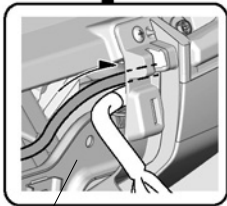
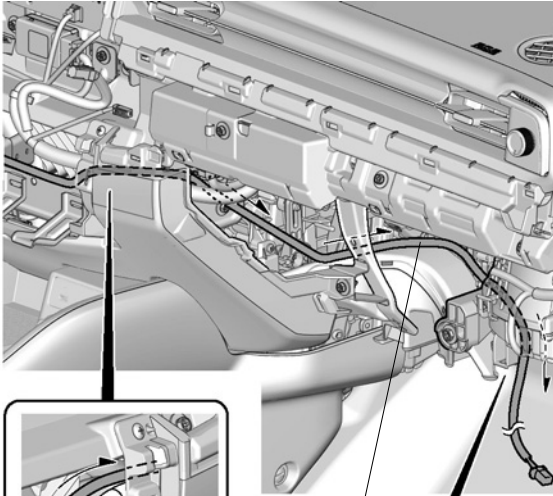
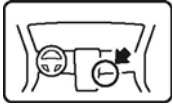


HARNESS



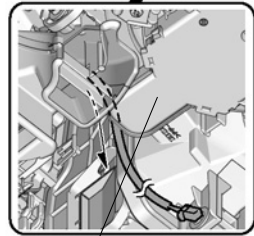
QKD0516AT

31. Route the harness.



<OPPOSITE SIDE VIEW>

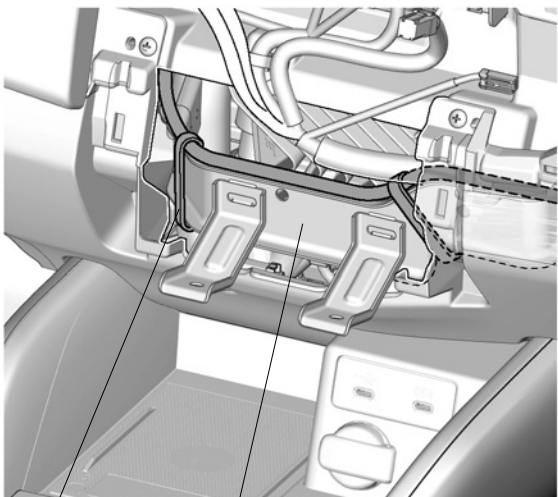
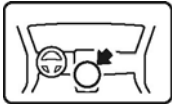
STEERING HANGER BEAM



HARNESS

BLOWER MOTOR QM70317AT

32. Secure the harness.

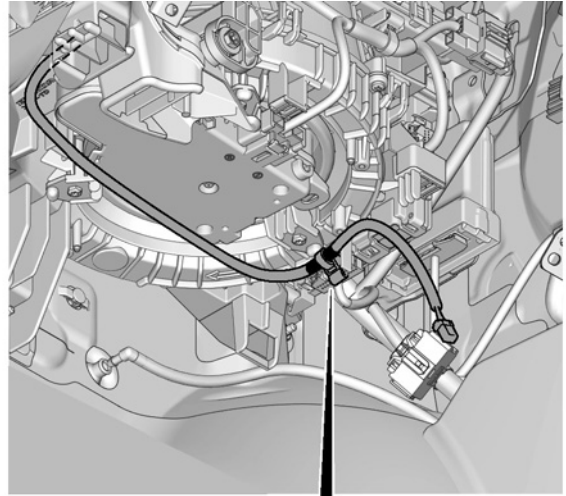
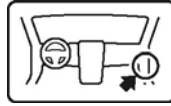


2 WIRE TIES

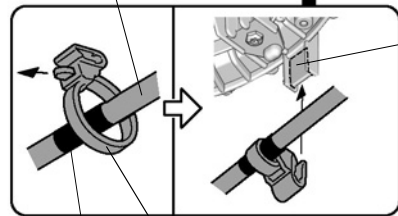
STEERING HANGER BEAM

QM70318AT

33. Secure the harness.



HARNESS



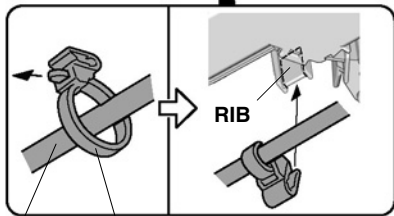
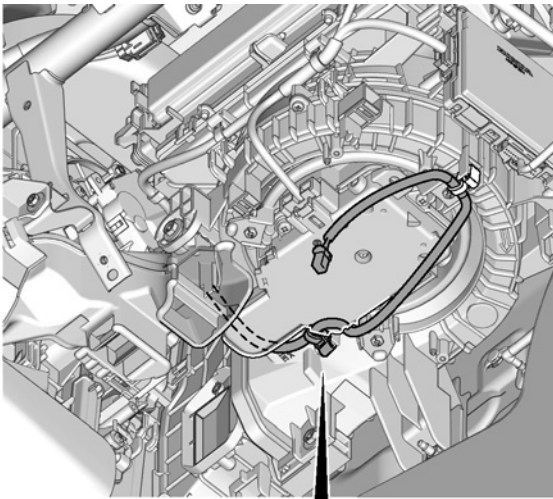
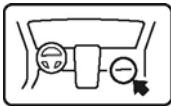
RIB

GREEN TAPE

WIRE TIE WITH HOLDER C

QM70319BT

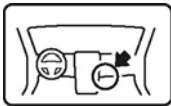
34. Secure the harness.



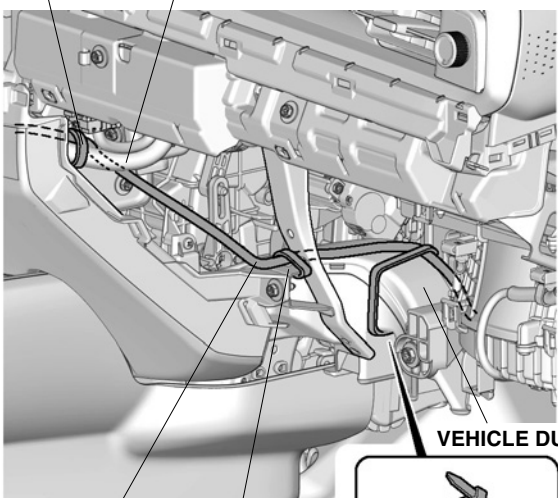
HARNES **WIRE TIE WITH HOLDER C**

QM70320BT

35. Secure the harness.

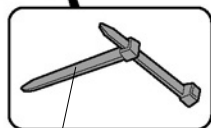


2 WIRE TIES **VEHICLE HARNES**



HARNES **STEERING HANGER BEAM**

VEHICLE DUCT

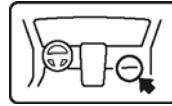


2 WIRE TIES

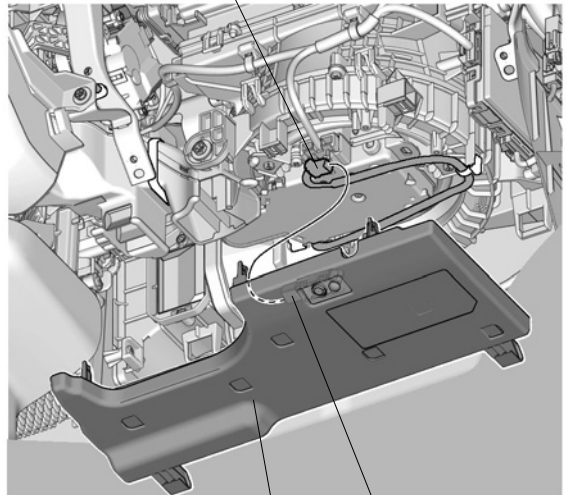
QM70321AT

36. Connect the harness connector.

37. Reinstall the passenger's dashboard under cover.



HARNES
4-PIN CONNECTOR

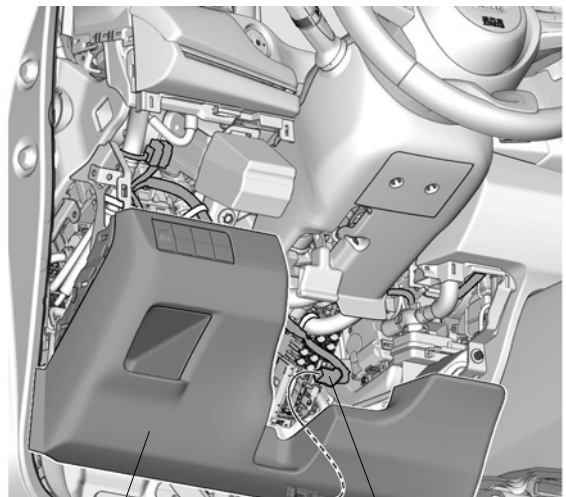
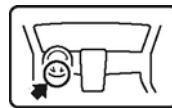


PASSENGER'S DASHBOARD UNDER COVER **LIGHT**

QM70322BT

38. Connect the harness connector.

39. Reinstall the driver's dashboard lower cover.



DRIVER'S DASHBOARD LOWER COVER **LIGHT**

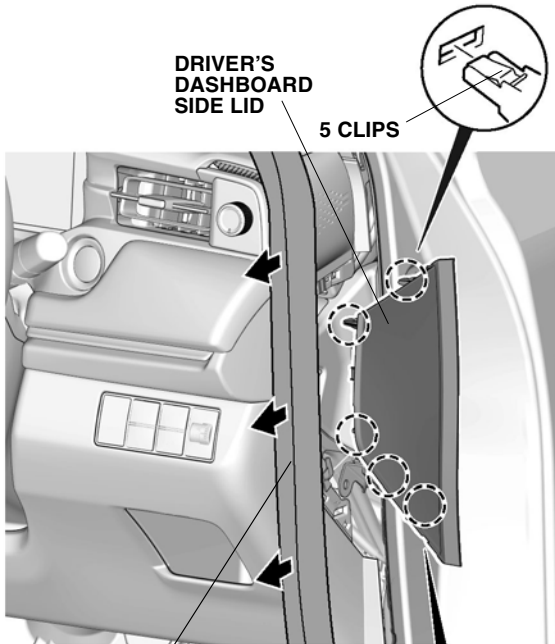
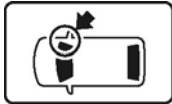
HARNES
4-PIN CONNECTOR

QM70323AT

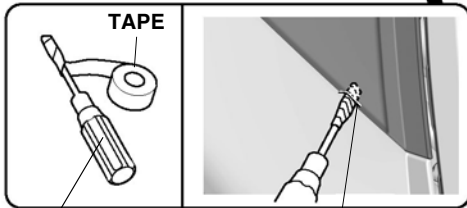
To step 73

Removing the Vehicle Parts (RHD)

40. Remove the driver's dashboard side lid.



DOOR OPENING SEAL

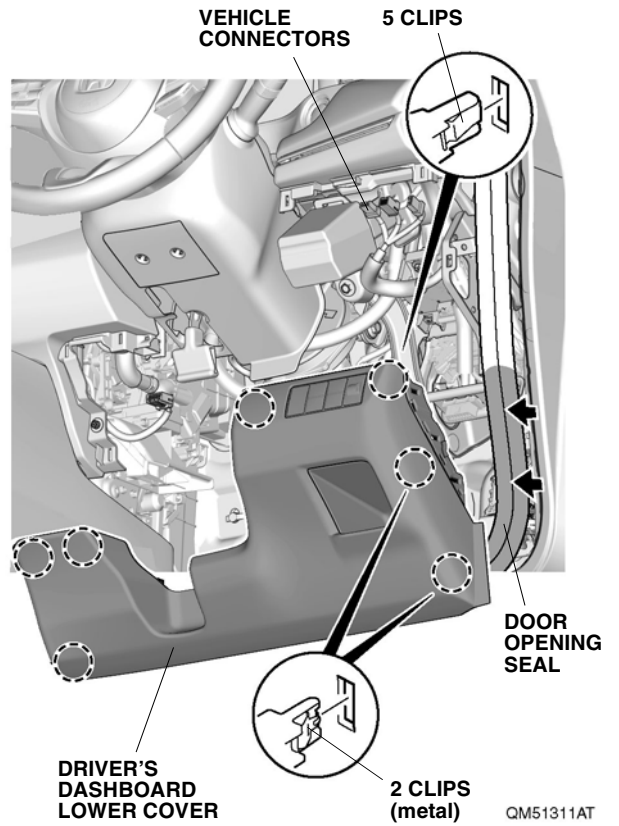


FLAT-TIP SCREWDRIVER

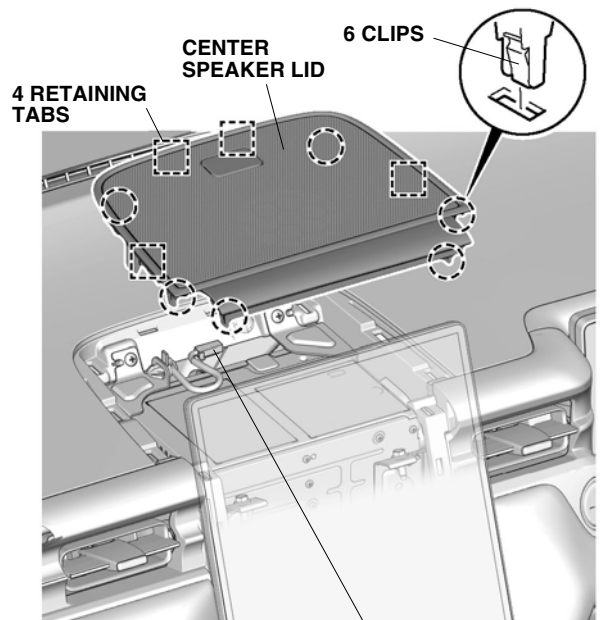
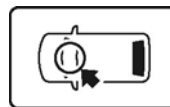
CUTOUT

QM51310AT

41. Remove the driver's dashboard lower cover.



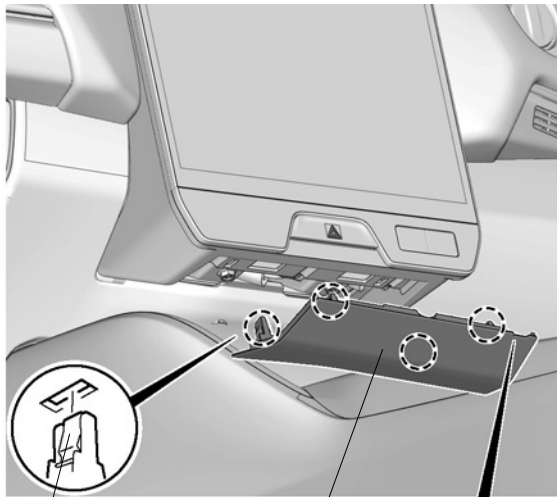
42. Remove the center speaker lid.



VEHICLE CONNECTOR

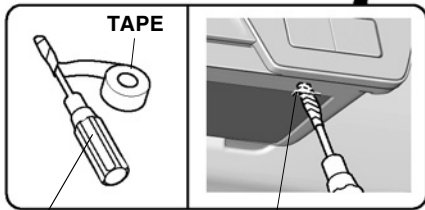
QM51303CT

43. Remove the center under lid.



4 CLIPS

CENTER UNDER LID



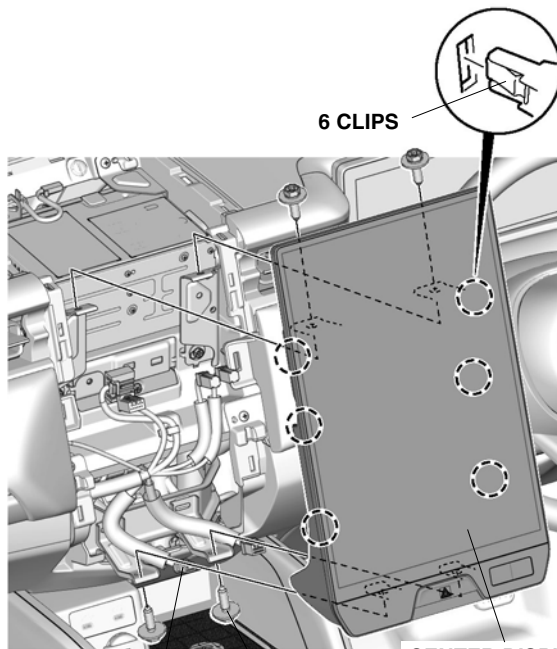
TAPE

FLAT-TIP
SCREWDRIVER

CUTOUT

QM51304AT

44. Remove the center display.



6 CLIPS

VEHICLE
CONNECTORS

4 BOLTS

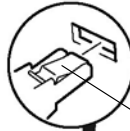
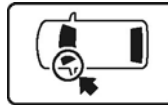
CENTER DISPLAY

QM51305CT

45. Remove the passenger's dashboard side lid.

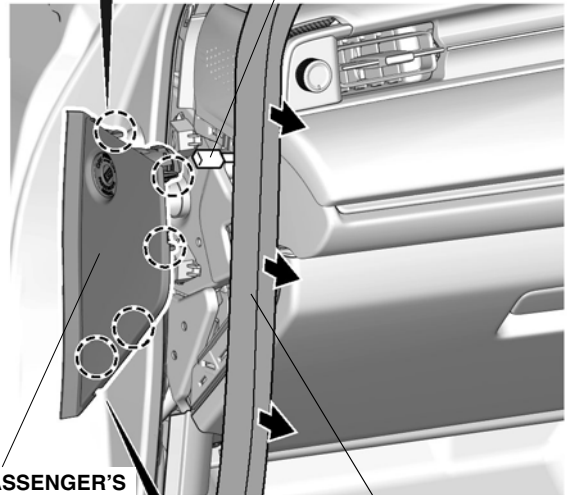
⚠ CAUTION

- Work after leaving more than three minutes after disconnecting the negative cable from the battery.



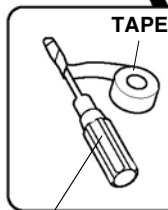
5 CLIPS

VEHICLE
CONNECTOR



PASSENGER'S
DASHBOARD
SIDE LID

DOOR OPENING SEAL



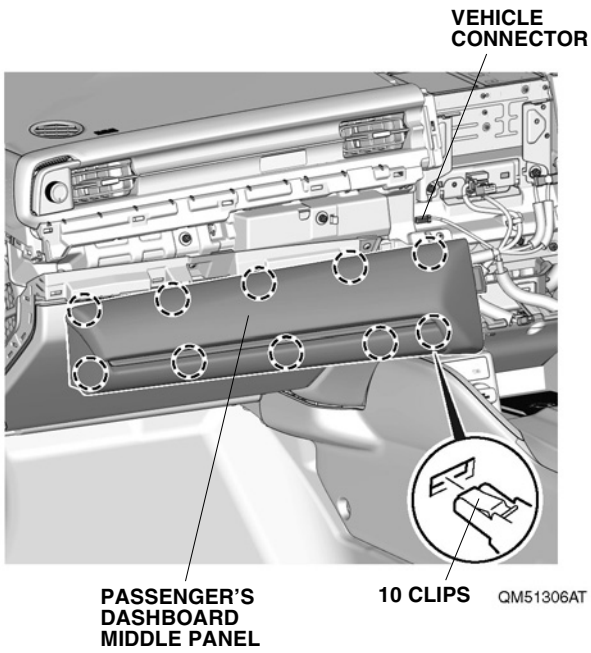
TAPE

FLAT-TIP
SCREWDRIVER

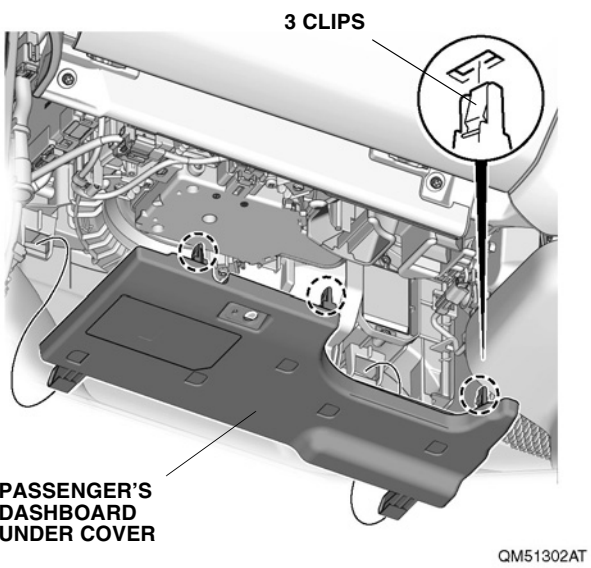
CUTOUT

QM51301AT

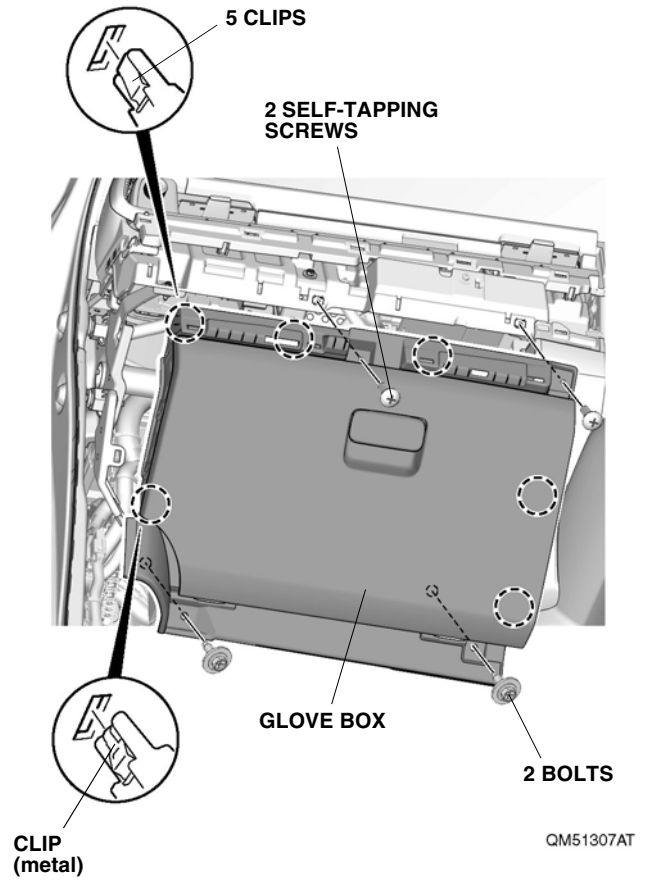
46. Remove the passenger's dashboard middle panel.



47. Remove the passenger's dashboard under cover.



48. Remove the glove box.

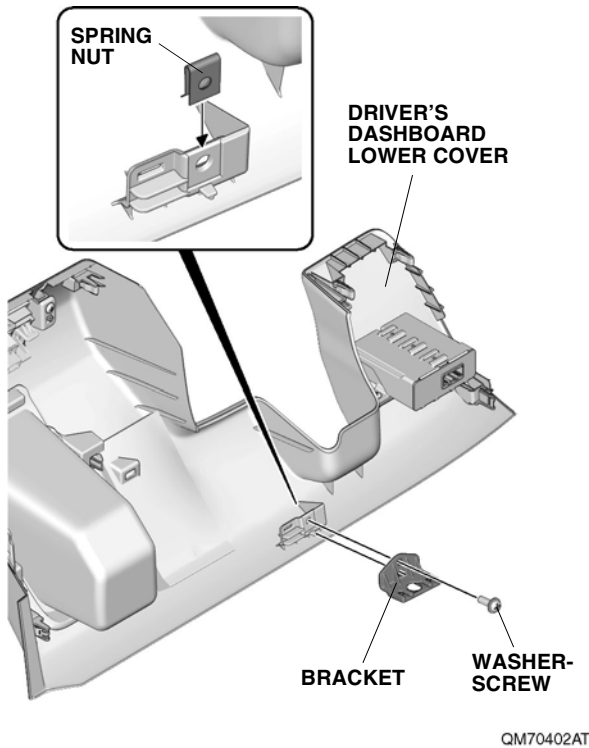


Installing the Lights (RHD)

49. Install the bracket.

NOTICE

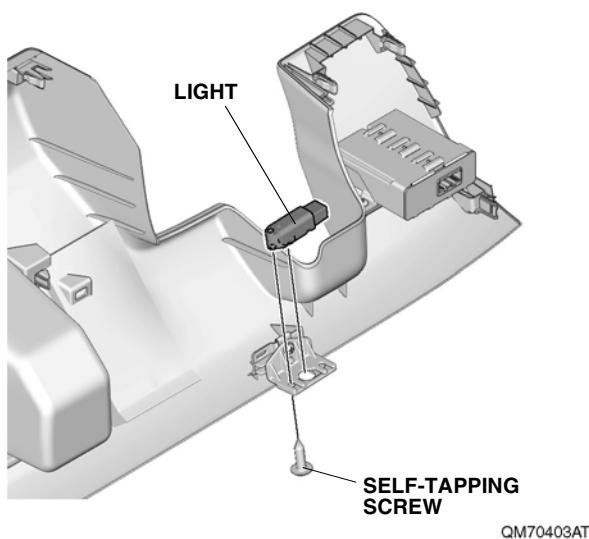
- Make sure to install the spring nut in the correct orientation.



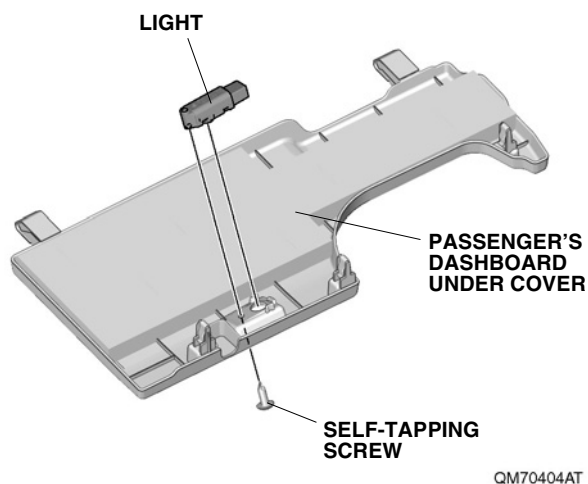
50. Install the light.

NOTICE

- Make sure to install the light in the correct orientation.

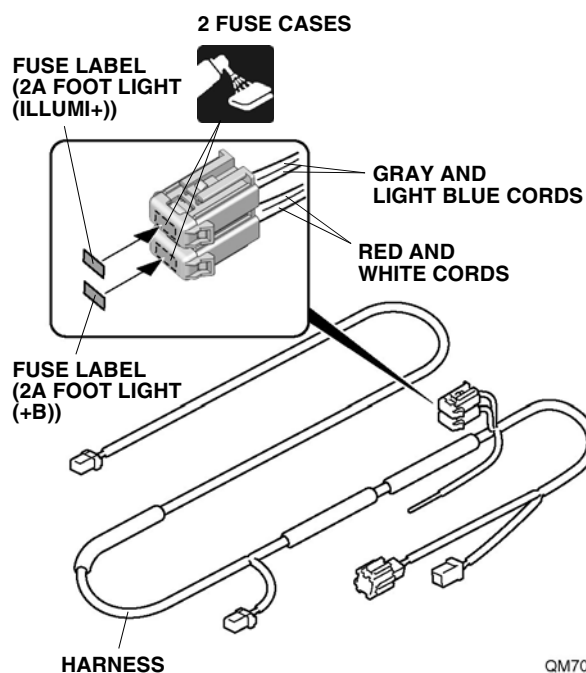


51. Install the light.

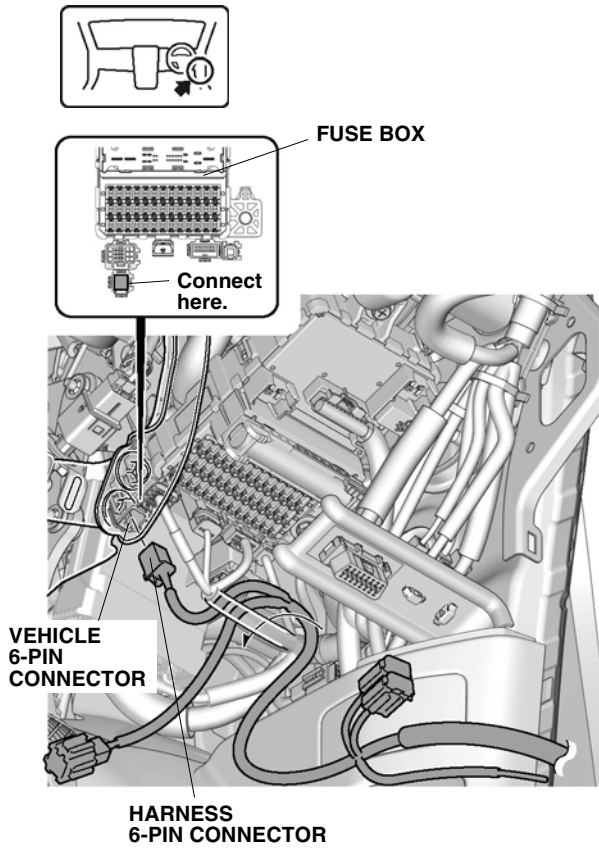


Routing the Harness (RHD)

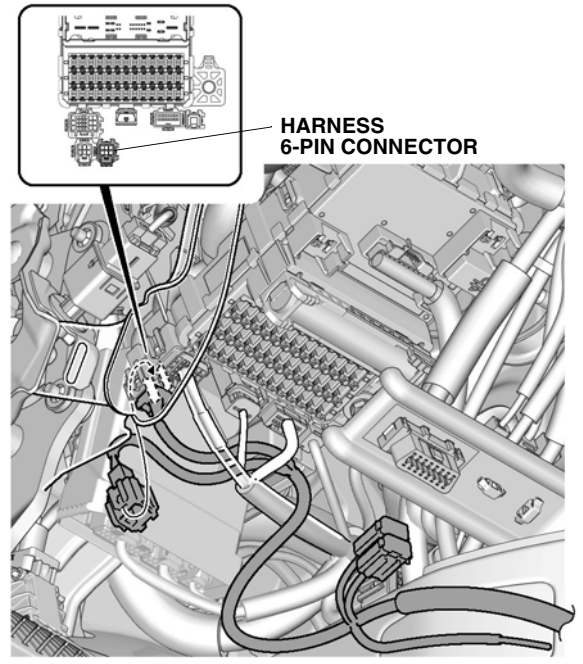
52. Attach the fuse labels.



53. Connect the harness connector.



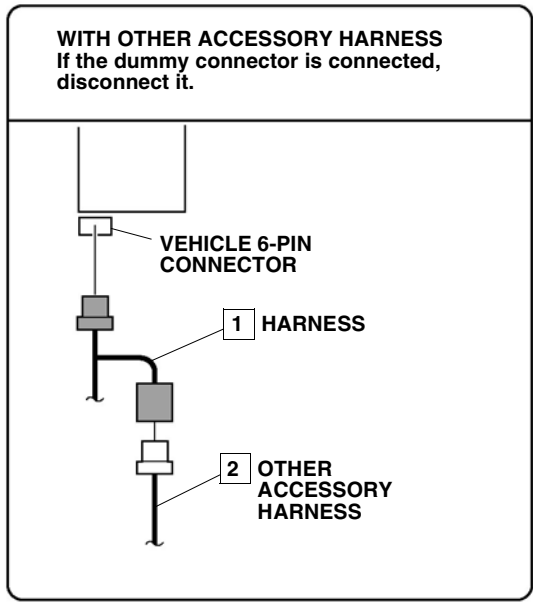
54. Secure the harness connector.



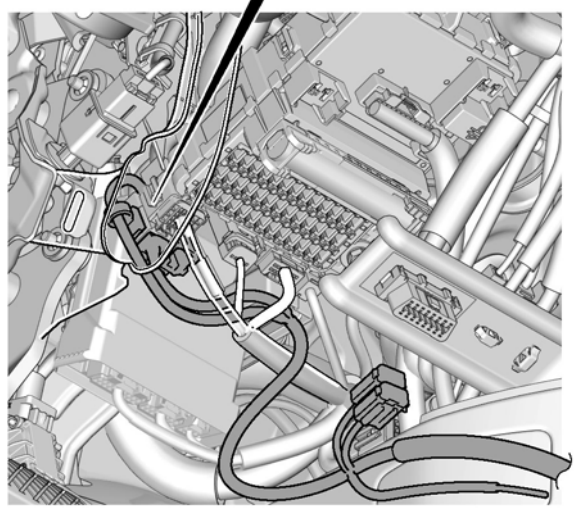
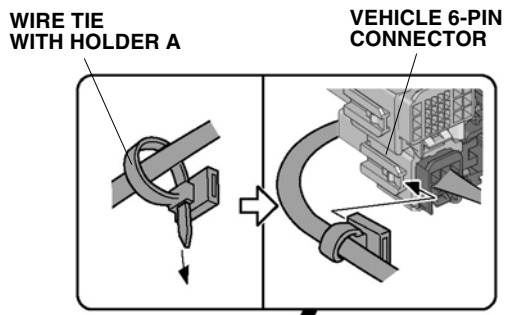
QM70406AT

55. Secure the harness.

NOTICE
<ul style="list-style-type: none"> • Make sure to install the wire tie with holder in the correct orientation.

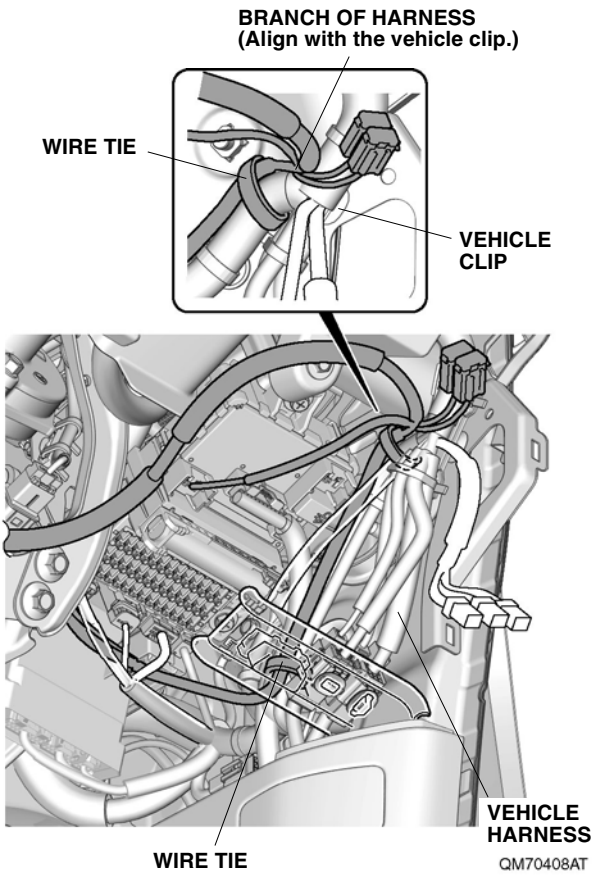


QM70405AT



QM70407AT

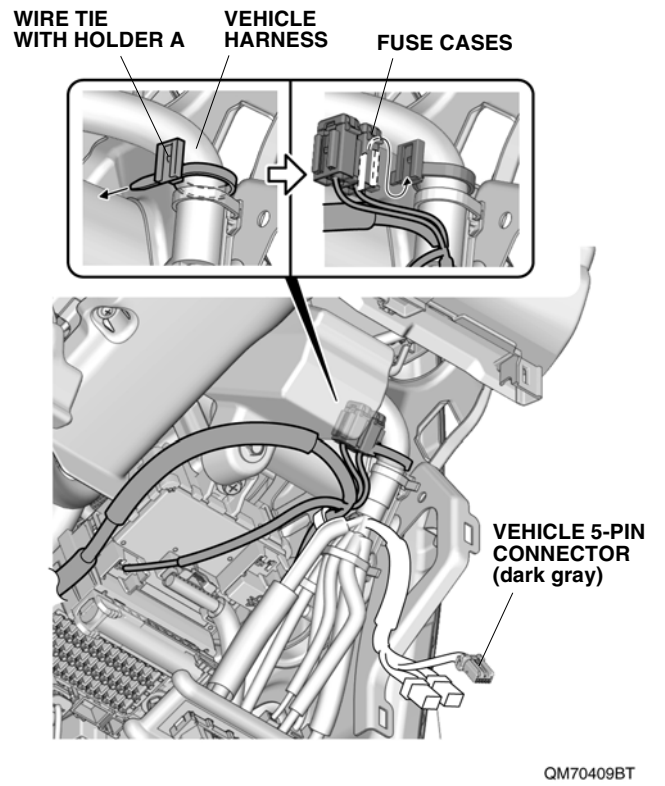
56. Secure the harness.



57. Secure the fuse cases.

NOTICE

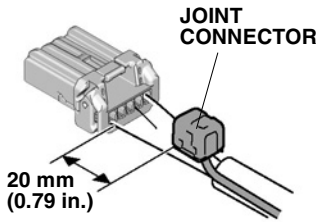
- Make sure to install the wire tie with holder in the correct orientation.



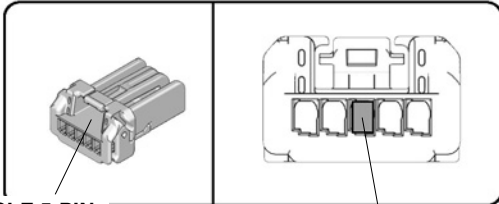
58. Connect the harness cord.

NOTICE

- Make sure to correctly connect the cord.



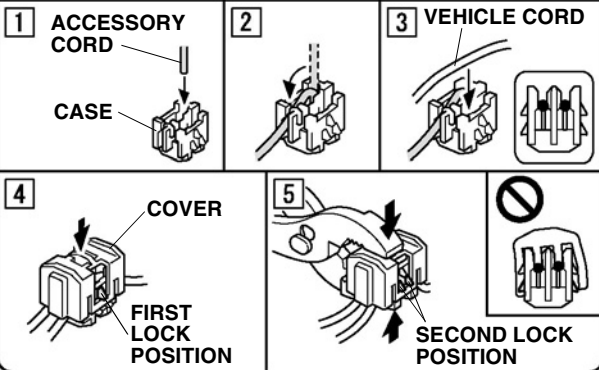
<HARNESS SIDE VIEW>



VEHICLE 5-PIN CONNECTOR (dark gray)

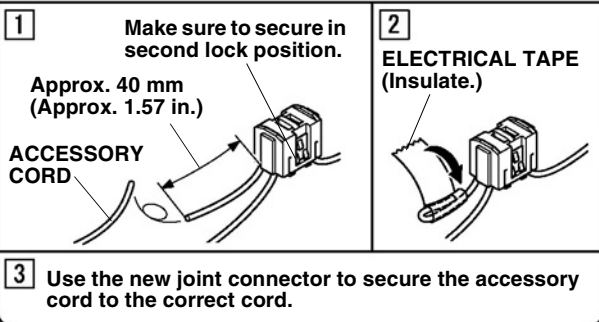
VEHICLE CORD: BLACK
ACCESSORY CORD: BLACK

How to Use the Joint Connector



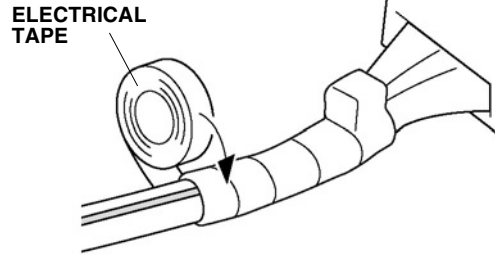
How to deal with the incorrectly secured joint connector.

Do not remove the secured joint connector once.



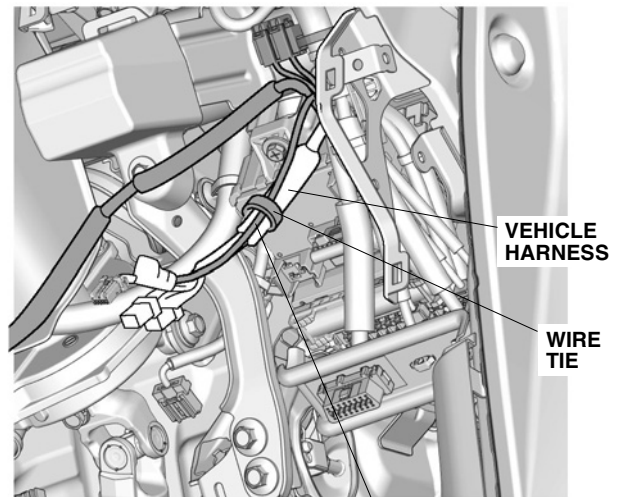
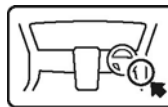
QM70411AT

59. Secure the harness cord.



QG92007AT

60. Secure the harness.



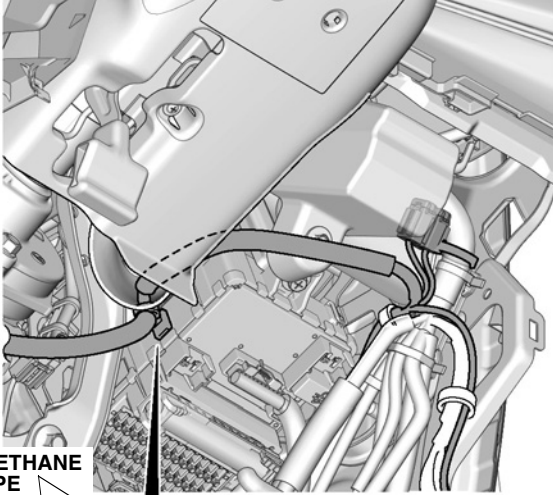
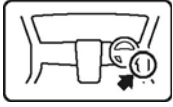
HARNESS

QM70412AT

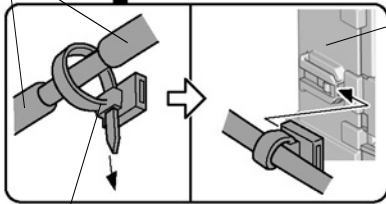
61. Secure the harness.

NOTICE

- Make sure to install the wire tie with holder in the correct orientation.



URETHANE TAPE

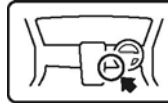


FUSE BOX

WIRE TIE WITH HOLDER A
(Secure it between urethane tapes.)

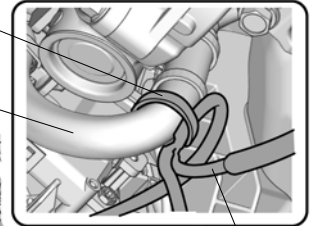
QM70413AT

62. Secure the harness.

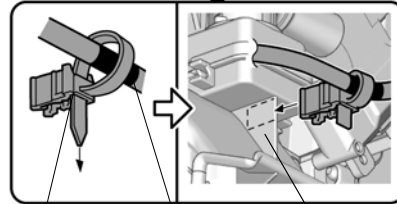
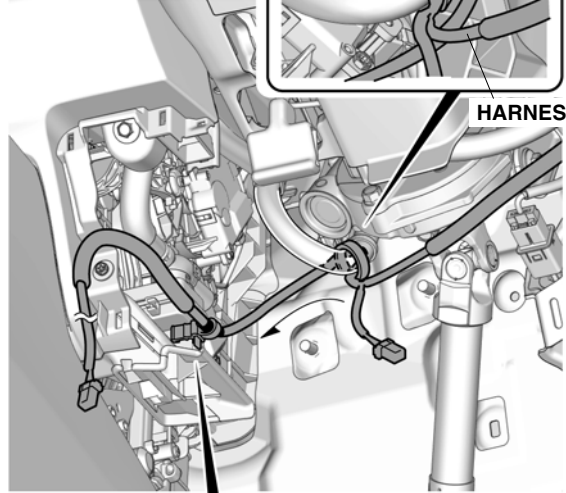


WIRE TIE

VEHICLE HARNESS



HARNESS



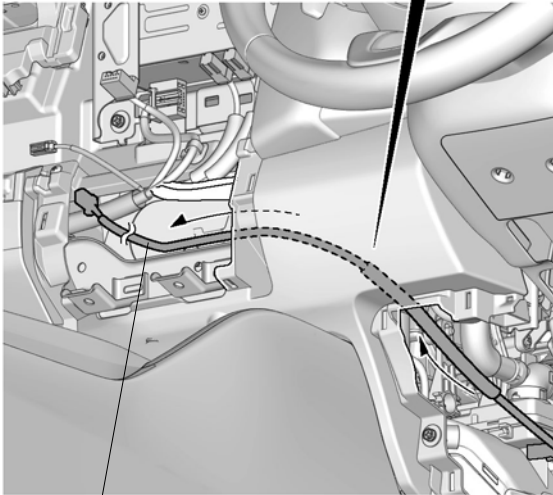
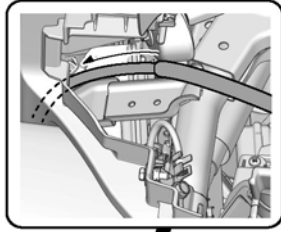
WIRE TIE WITH HOLDER B

GREEN TAPE

RIB

QM70414BT

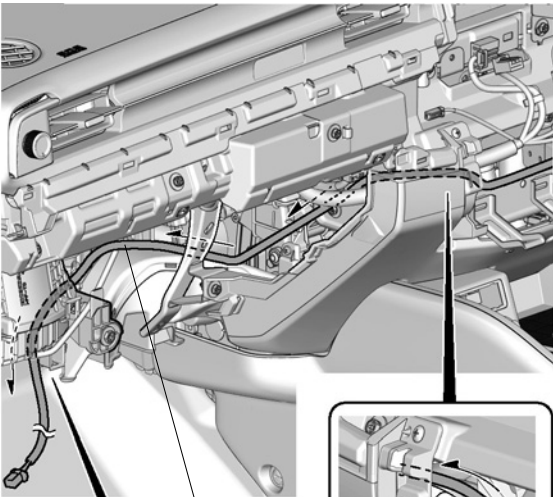
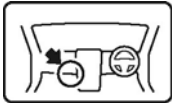
63. Route the harness.



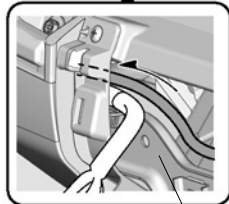
HARNESS

QM70415AT

64. Route the harness.



HARNESS



<OPPOSITE SIDE VIEW>

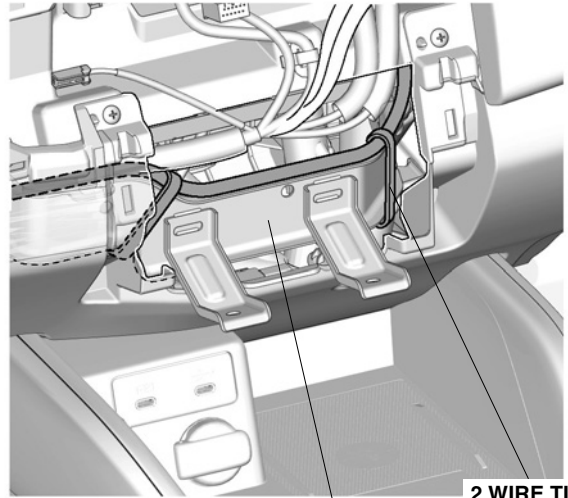
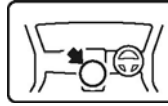
STEERING HANGER BEAM



BLOWER MOTOR

QM70416AT

65. Secure the harness.

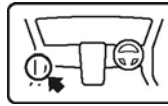


2 WIRE TIES

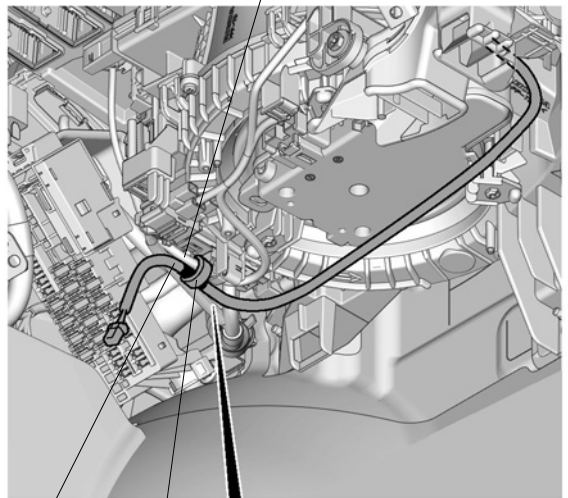
STEERING HANGER BEAM

QM70417AT

66. Secure the harness.

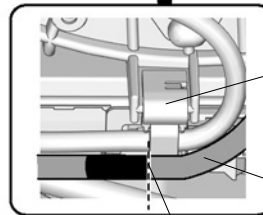


VEHICLE HARNESS



HARNESS

WIRE TIE



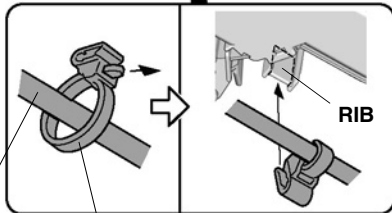
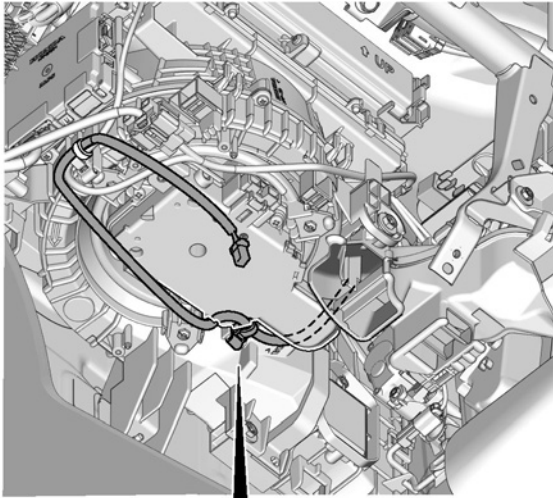
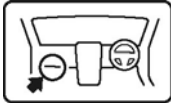
VEHICLE CLIP

HARNESS

EDGE OF GREEN TAPE (Align with the edge of vehicle clip.)

QM70418BT

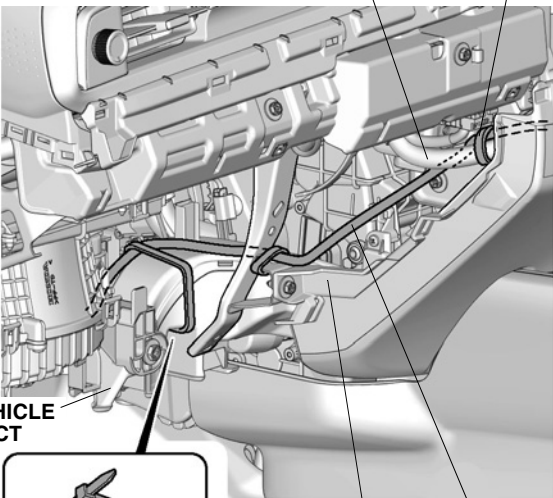
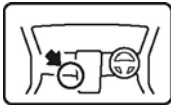
67. Secure the harness.



HARNES
WIRE TIE WITH HOLDER C

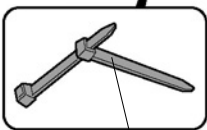
QM70419BT

68. Secure the harness.



VEHICLE HARNESS **2 WIRE TIES**

VEHICLE DUCT



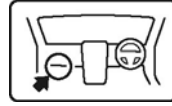
2 WIRE TIES

STEERING HANGER BEAM **HARNES**

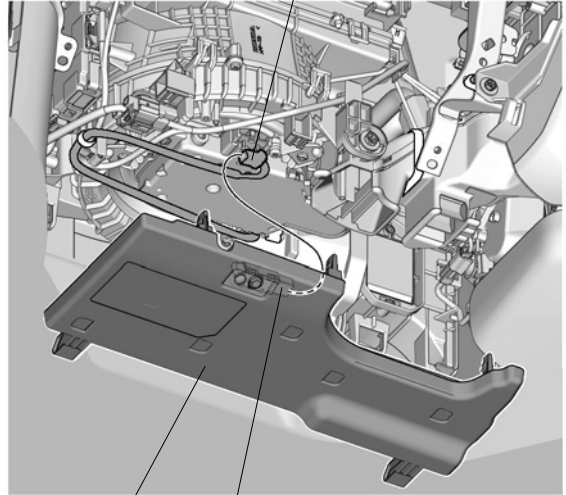
QM70420AT

69. Connect the harness connector.

70. Reinstall the passenger's dashboard under cover.



HARNES
4-PIN CONNECTOR

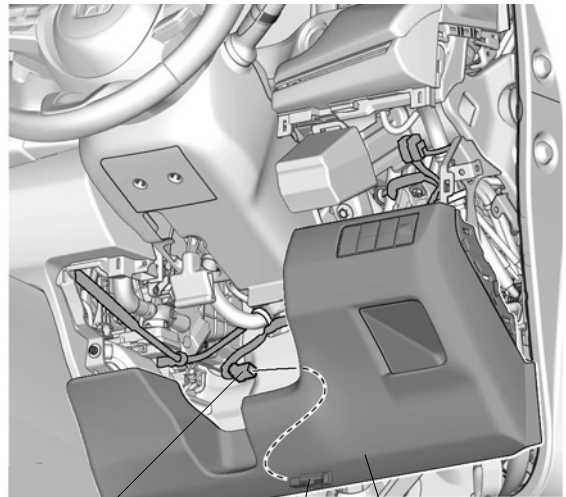
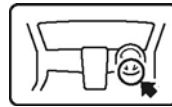


PASSENGER'S DASHBOARD UNDER COVER **LIGHT**

QM70421BT

71. Connect the harness connector.

72. Reinstall the driver's dashboard lower cover.



HARNES **4-PIN CONNECTOR** **LIGHT** **DRIVER'S DASHBOARD LOWER COVER**

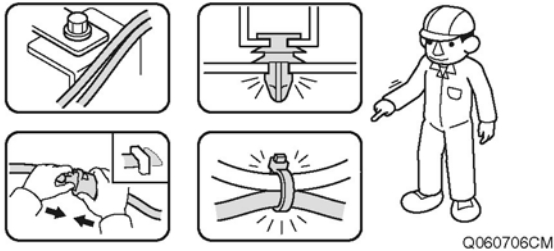
QM70422AT

Check After Installation

73. Check that all parts are routed and installed properly.

NOTICE

- Check that the harnesses are not pushed, not pulled and not pinched.
- Check that all clamps and wire ties are installed securely.

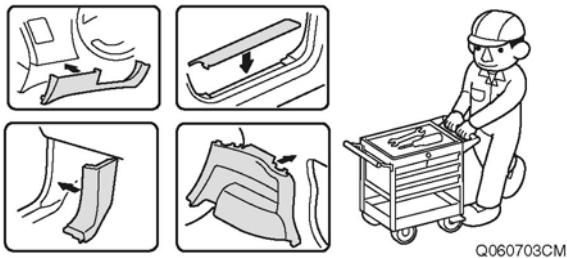


Reinstalling the All Removed Parts

74. Reinstall all removed parts.

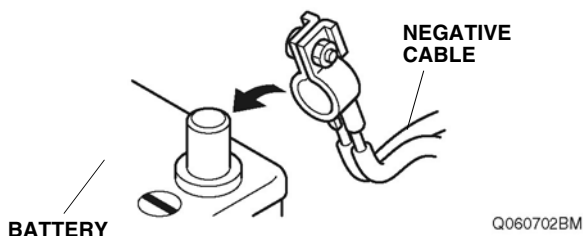
NOTICE

- Be extremely careful not to damage the vehicle parts, pinch the harnesses.
- Make sure to secure the retaining tabs and clips properly to avoid separation.



Operation Check

75. Reconnect the negative cable to the battery.



76. Turn the power switch to ON; the SRS indicator should come on for about 6 seconds and then go off.
77. Check that the foot lights are turned while the position lights and the headlights are on.
78. Check that the foot light comes on by opening a door.

Vehicle Check

79. Check that the electric accessories and systems operate properly.
80. Press and hold the audio power button for two seconds, or enter anti-theft code for the audio/navigation system.
81. Reset the memory of each equipment and restore the positions of those control knobs.

