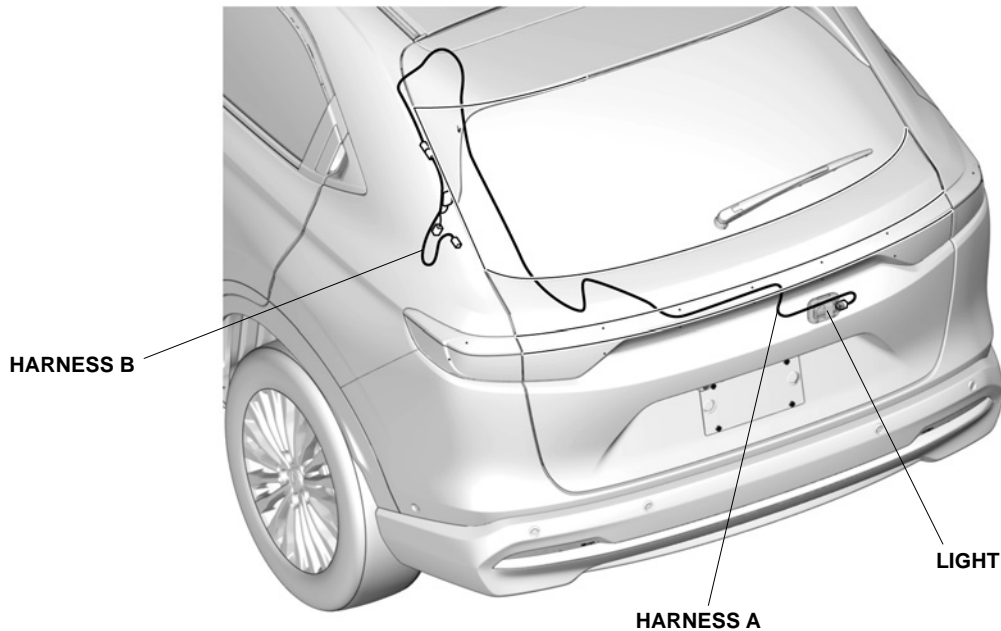


TAILGATE LIGHT

*e:NyI***GENERAL VIEW**

QM70401AU

FOR YOUR SAFETY (Read carefully)**Introduction of Symbol Messages**

- These symbols warn you about the possible hazards and explain how to avoid them. And give you some advices.

⚠ DANGER

You will be killed or seriously hurt if you do not follow the instructions.

⚠ WARNING

You can be killed or seriously hurt if you do not follow the instructions.

⚠ CAUTION

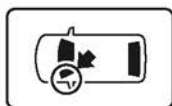
You can be hurt if you do not follow the instructions.

NOTICEGives advice to prevent damage to the product.
Gives helpful information or instructions to be followed in using the product.

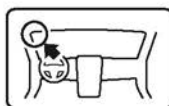
Indicates prohibited actions.

Introduction of Icons

- These icons indicate the working place and the worker's vision.



The place for the vehicle.



The place for the instrument panel.

- These icons indicate the necessary things for your safety and the work.



Wear eye protection.



Wear heavy gloves.



Work with an assistant.



Place the part on a blanket.



Remove any burrs.



Use the touch-up paint and dry.



Keep the parts and give it to the customer.
(Not use)



Press firmly.



Tighten by specified torque.

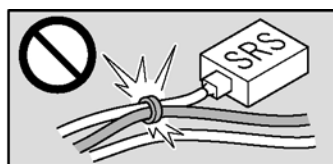


Work perpendicularly.



Clean with the contact cleaner.

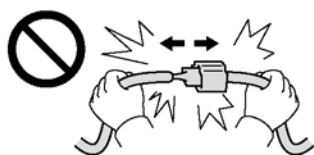
Wire Harness Routing Precaution



Do not clamp the accessory harness and SRS harness together. (except for instruction cases).



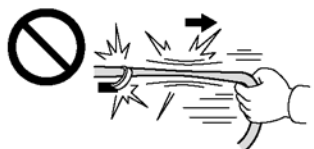
Connect the connectors and terminals securely until they lock.



Do not pull the harness to disconnect the connectors.



Reinstall the connectors to the original positions if they are removed.



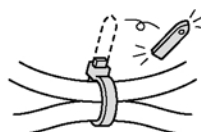
Do not pull the harness strongly.



Secure the accessory harness to the specified position, not to hang down.



Do not pinch the harness with the parts.



Cut off the excess of the wire ties.

Safety: General

- Observe all safety notes and precautions described in the Shop Manual in addition to those described in this Installation Instructions. Be extremely careful for your safety and safety of others particularly.
- Be careful not to damage the vehicle and the parts.
- Be extremely careful to the handling of the retaining tabs and clips particularly.
- Note the locations of the parts before removing them so that they can be reinstalled in their original positions properly.
- The illustrations may differ a little from the actual accessories for the design change of the vehicle.

Safety: For Electric Parts




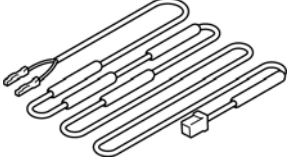


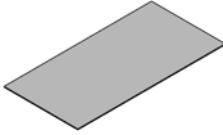
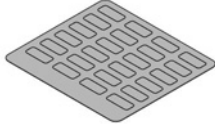
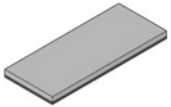
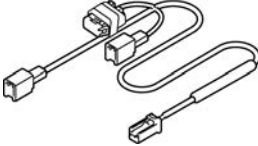
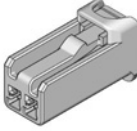

- Do not perform the installation of the accessories with having connected negative cable of the battery.

Safety: For the Accessory

- **Always use the parts and tools specified in the installation instructions.**
- **Do not perform installation work and attaching work at the place where gets the direct rays of the sun or the dust appears.**
- **Always install these accessories at the ambient air temperature 15°C (60°F) or above.**
- **Heat the accessories and bonding surfaces if the ambient air temperature is below 15°C (60°F).**
- **Attach the accessories by pressing it firmly with the palm of your hand. Be careful not to damage the accessories and the vehicle parts.**
- **Carefully place the double-sided adhesive tape on the proper position. Once the double-sided adhesive tape touches the surface, do not try to detach and relocate it. If you attempt to move after it touches the surface, you will damage the part before the adhesive will give way.**

PARTS LIST

Tailgate Light Kit

<p>Light</p> 	<p>Garnish</p> 	<p>Bracket</p> 	<p>Harness A</p> 
<p>Self-tapping screws (4)</p> 	<p>Wire ties (12)</p> 	<p>Aluminum tape</p> 	<p>Fuse label</p> 
<p>EPT sealers (2)</p> 	<p>Harness B</p> 	<p>2-Pin connector</p> 	<p>Corrugated tube</p> 

TOOLS AND SUPPLIES REQUIRED

- 10 mm Open end wrench
- Ratchet
- Tape
- Hacksaw
- Scissors
- Drill
- Electrical tape
- Phillips screwdriver
- 10 mm, 12 mm, and 14 mm Sockets
- Shop towel
- Flat-tip screwdriver
- Ruler
- Torque wrench
- 3 mm, 6 mm, 8 mm, and 10 mm Drill bits
- Nippers
- File
- Contact cleaner
- Pushpin
- Handy remover
- Steel wire
- Eye protection (face shield, safety goggles, etc.)

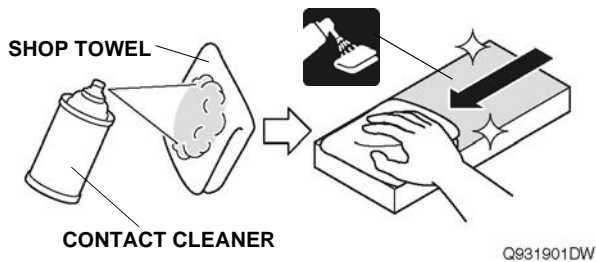
INSTALLATION

How to Use the Contact Cleaner

- Using contact cleaner on a shop towel, thoroughly clean the areas where the accessories will be attached.

NOTICE

- Always use the contact cleaner.
- Do not apply the cleaner to the object of the work directly.
- Allow to dry completely the cleaned areas before attachment work.



Disconnecting the Battery Cable

1. Perform the works before disconnecting the negative cable from the battery as shown below.
2. Make sure if you have the anti-theft code for the audio/navigation system. Record some settings of the vehicle if necessary.
3. Turn the power switch to ON.
4. Turn the power switch to OFF.

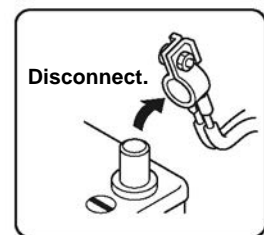
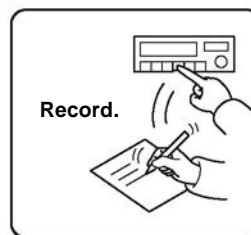
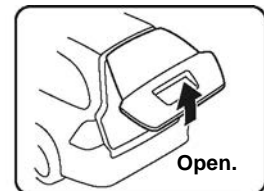
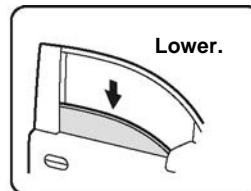
NOTICE

- Make sure that the indicator of power switch is lighted out.

5. Disconnect the negative cable from the battery.

NOTICE

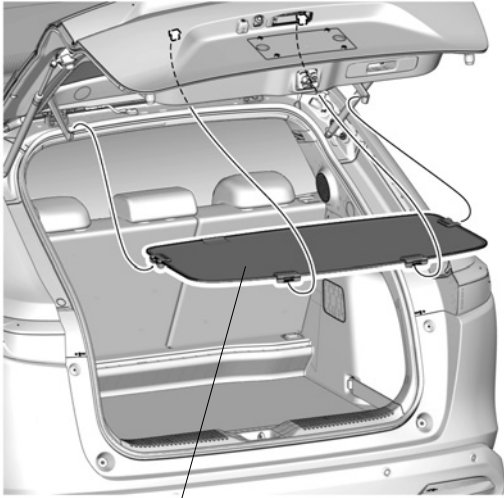
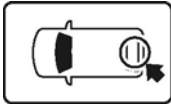
- With the driver's door open, turn the vehicle to the OFF (LOCK) mode, then wait at least 3 minutes before disconnecting the 12 volt negative battery cable.



QCD0504BM

Removing the Vehicle Parts

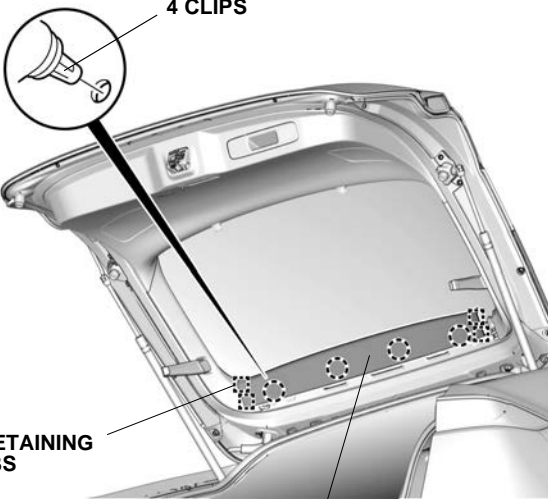
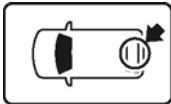
6. Remove the parcel cover.



PARCEL COVER

QM70402AU

7. Remove the tailgate upper trim panel.



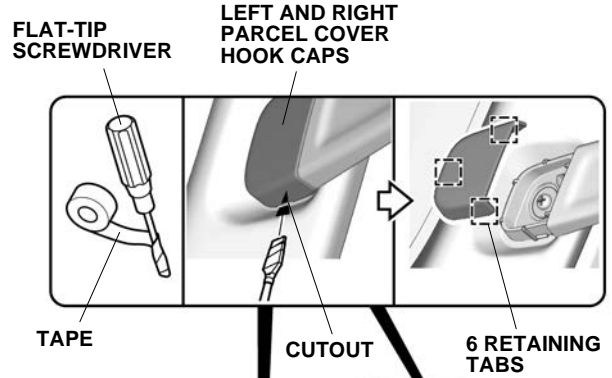
4 CLIPS

4 RETAINING TABS

TAILGATE UPPER TRIM PANEL

QM70403AU

8. Remove the screws.



FLAT-TIP SCREWDRIVER

LEFT AND RIGHT PARCEL COVER HOOK CAPS

TAPE

CUTOUT

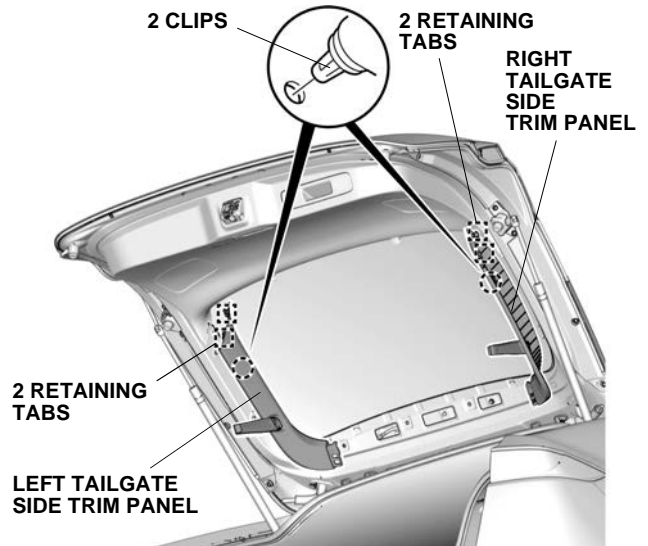
6 RETAINING TABS



2 SCREWS

QM70404AU

9. Remove the left and right tailgate side trim panels.



2 CLIPS

2 RETAINING TABS

RIGHT TAILGATE SIDE TRIM PANEL

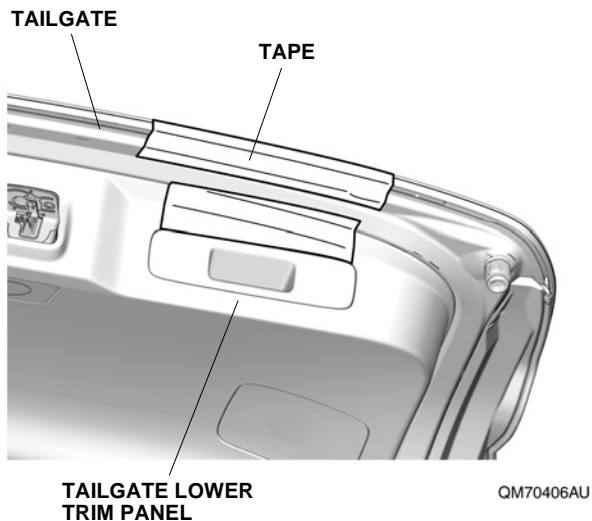
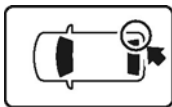
2 RETAINING TABS

LEFT TAILGATE SIDE TRIM PANEL

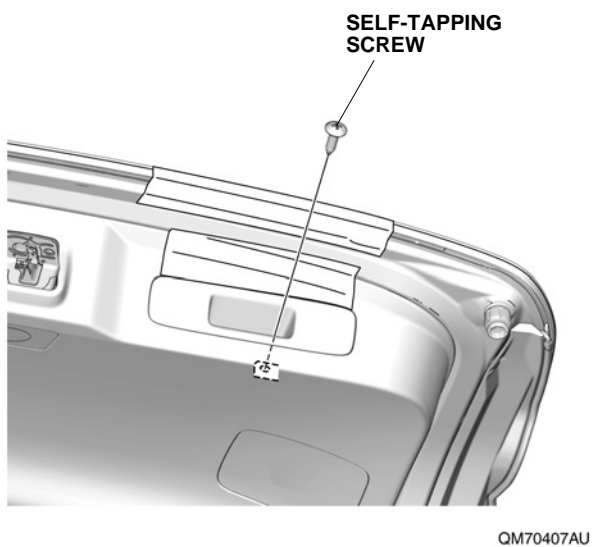
QM70405AU

10. Attach the tapes to protect the vehicle.

NOTICE
<ul style="list-style-type: none"> Do not remove the tapes until after the reinstallation.

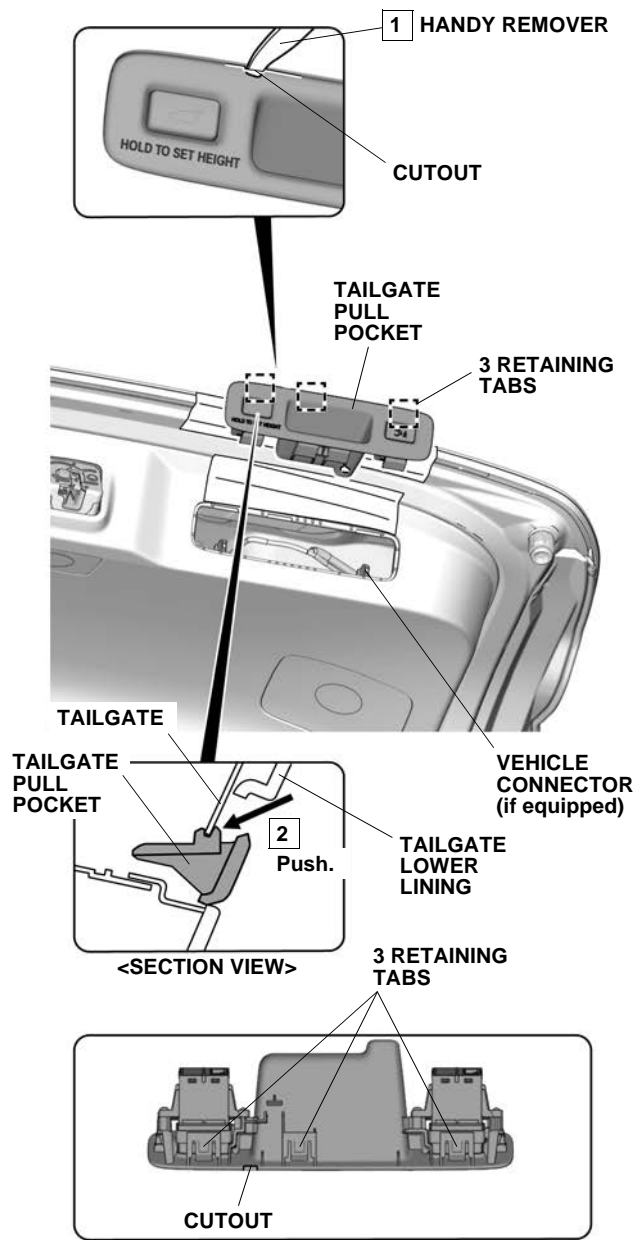


11. Remove the self-tapping screw.

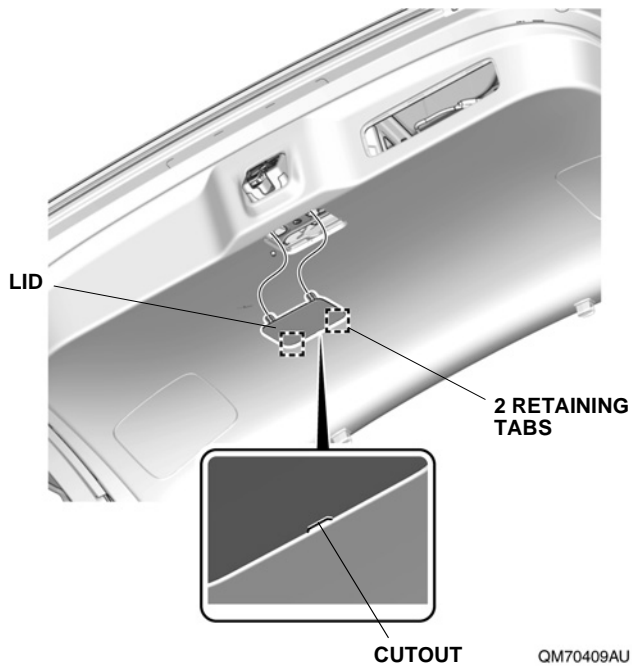
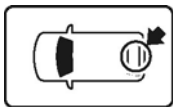


12. Remove the tailgate pull pocket.

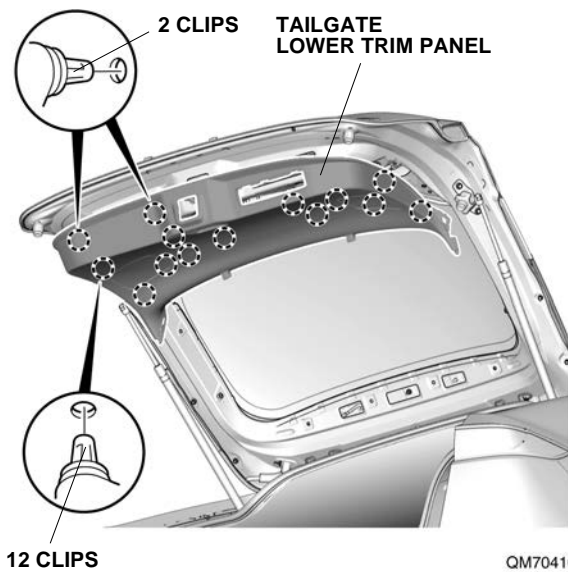
NOTICE
<ul style="list-style-type: none"> Remove in the order shown.



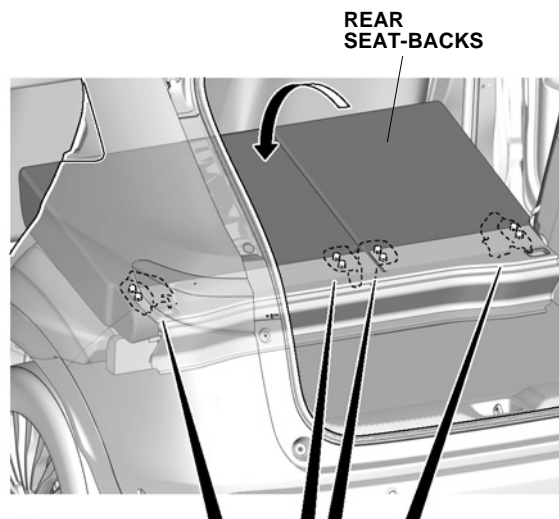
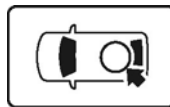
13. Remove the lid.



14. Remove the tailgate lower trim panel.

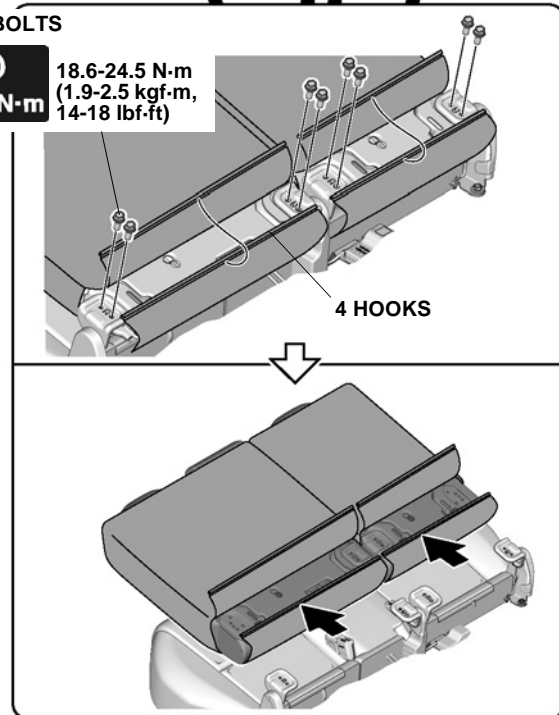


15. Remove the rear seat-backs.

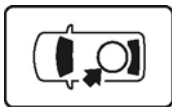


8 BOLTS

 18.6-24.5 N-m
(1.9-2.5 kgf-m,
14-18 lbf-ft)



16. Remove the rear seat cushion.

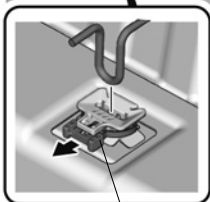
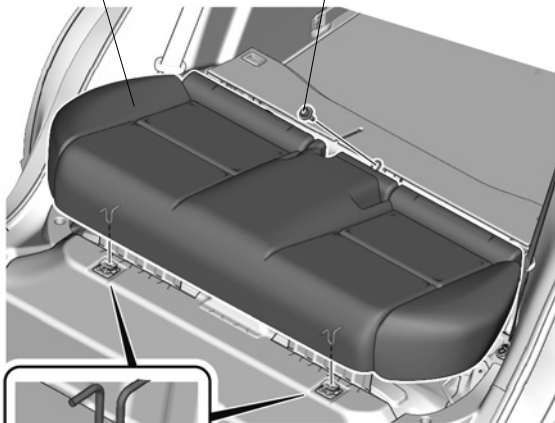


REAR SEAT CUSHION

BOLT



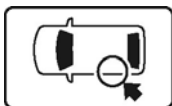
6.9-11.8 N·m
(0.7-1.2 kgf·m,
5.1-9 lbf·ft)



2 CLIPS

QM70316BH

17. Remove the left rear door sill trim.

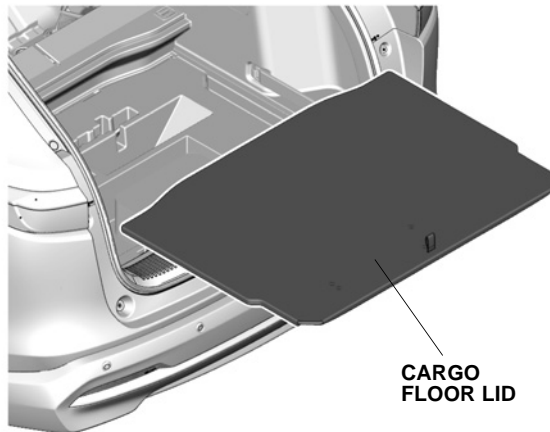
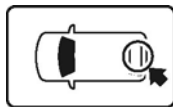


DOOR OPENING SEAL

5 RETAINING TABS

QM70307BH

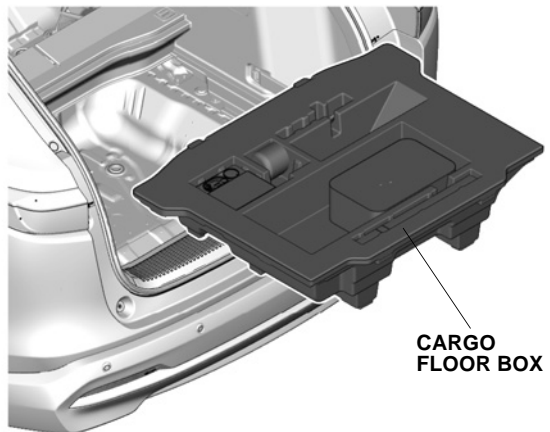
18. Remove the cargo floor lid.



CARGO FLOOR LID

QM70301BH

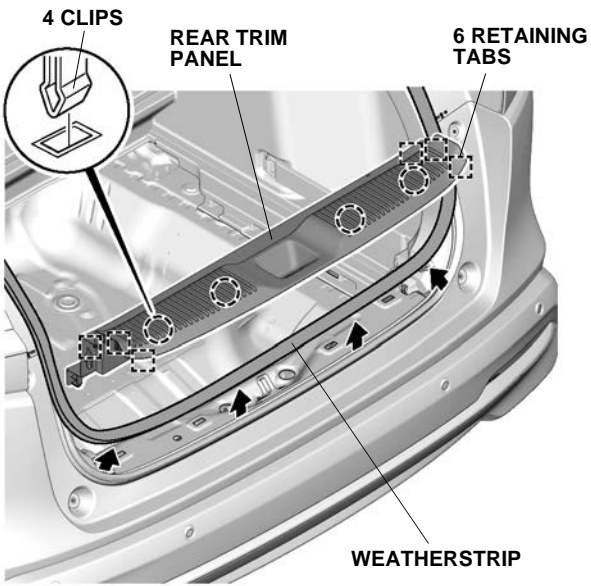
19. Remove the cargo floor box.



CARGO FLOOR BOX

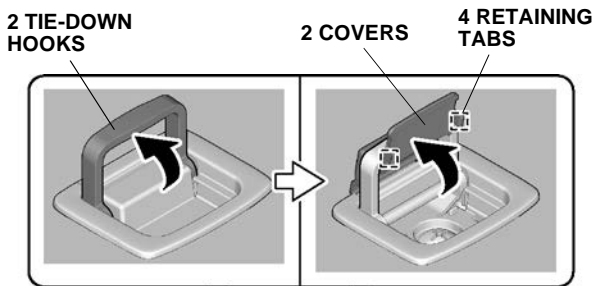
QM70302BH

20. Remove the rear trim panel.

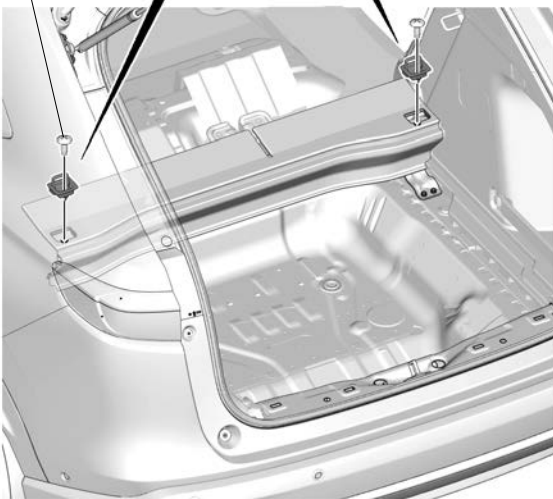


QM70303AH

21. Remove the tie-down hooks.

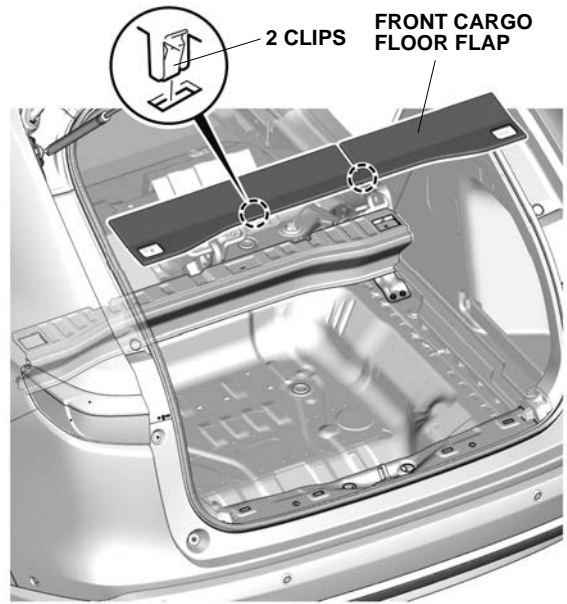


2 SCREWS



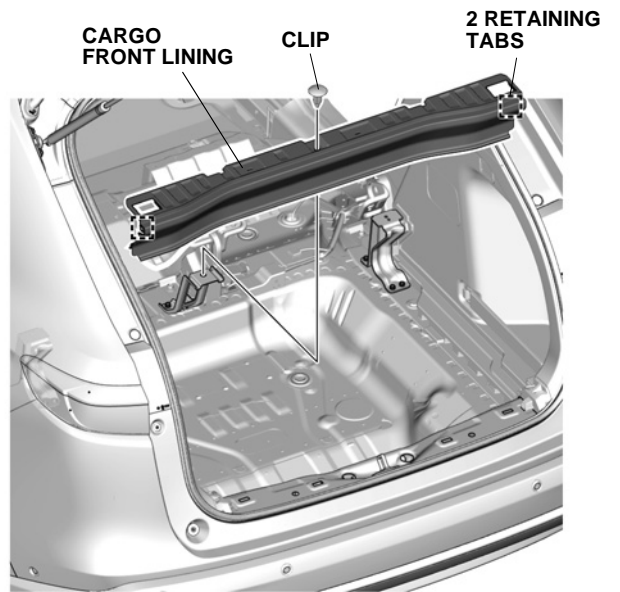
QM70304BH

22. Remove the front cargo floor flap.



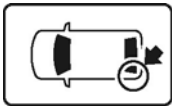
QM70305BH

23. Remove the cargo front lining.

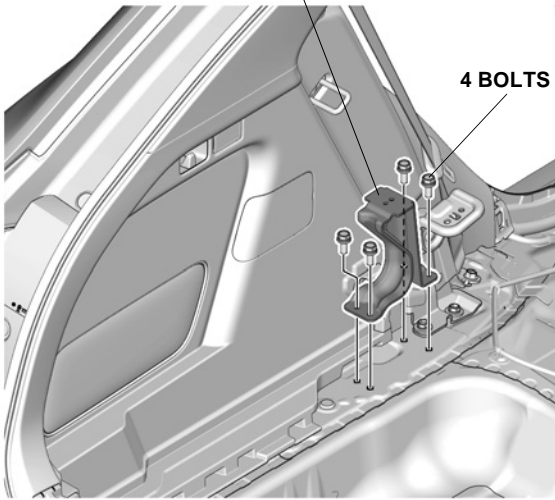


QM70306BH

24. Remove the left tie-down hook bracket.



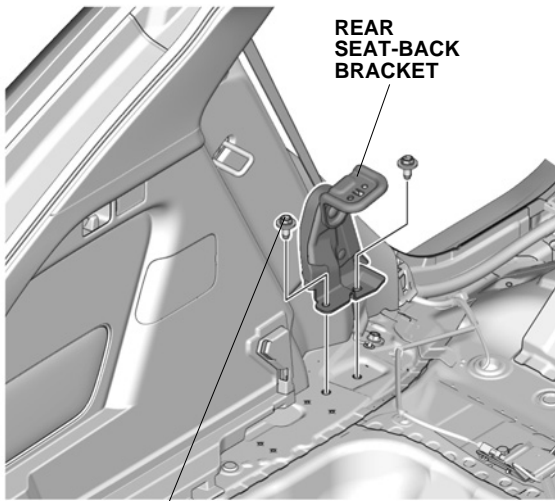
LEFT TIE-DOWN HOOK BRACKET



4 BOLTS

QM70318AH

25. Remove the rear seat-back bracket.



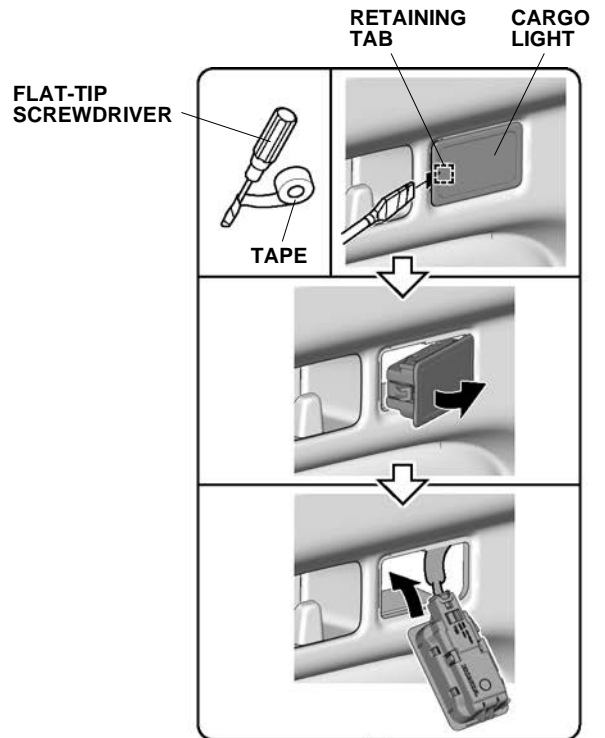
REAR SEAT-BACK BRACKET

2 BOLTS

P N-m 31.4-37.2 N-m
(3.2-3.8 kgf-m,
23-27 lbf-ft)

QM70322AH

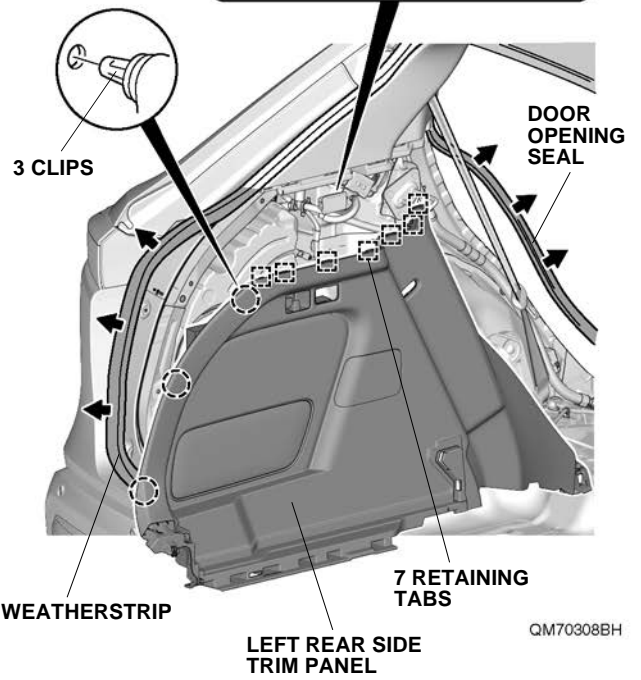
26. Remove the left rear side trim panel.



RETAINING TAB CARGO LIGHT

FLAT-TIP SCREWDRIVER

TAPE



3 CLIPS

DOOR OPENING SEAL

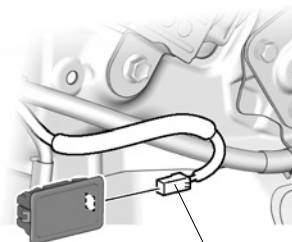
WEATHERSTRIP

7 RETAINING TABS

LEFT REAR SIDE TRIM PANEL

QM70308BH

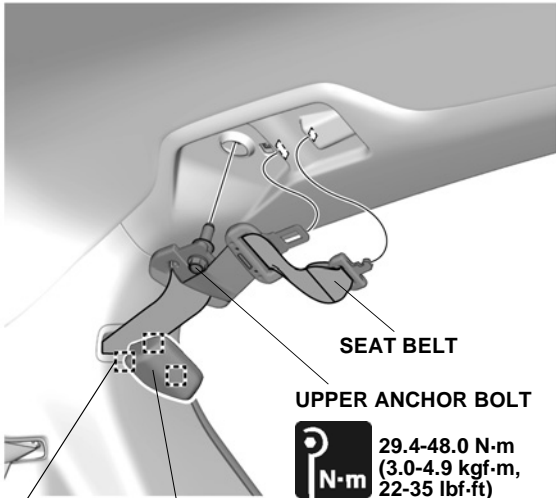
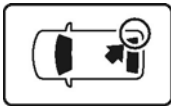
27. Remove the cargo light.



VEHICLE CONNECTOR

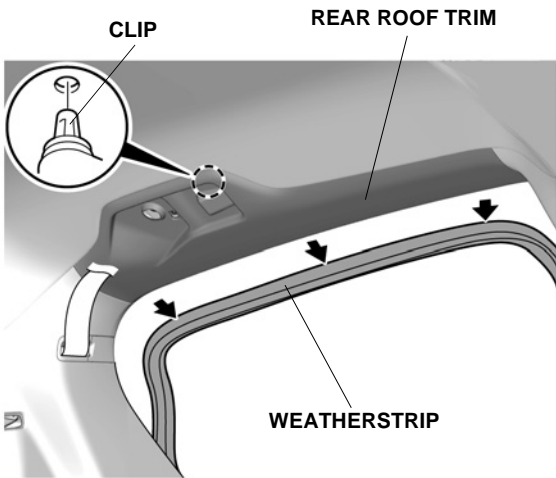
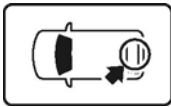
QN31002AH

28. Release the seat belt.



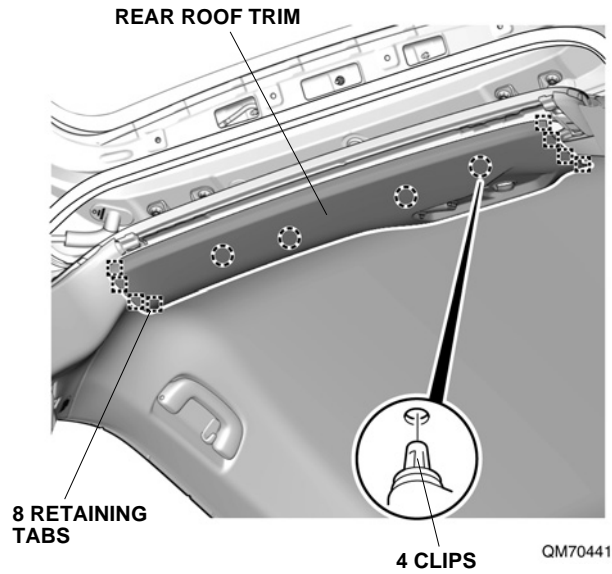
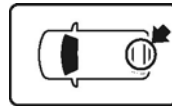
QK92201BU

29. Release the rear roof trim.



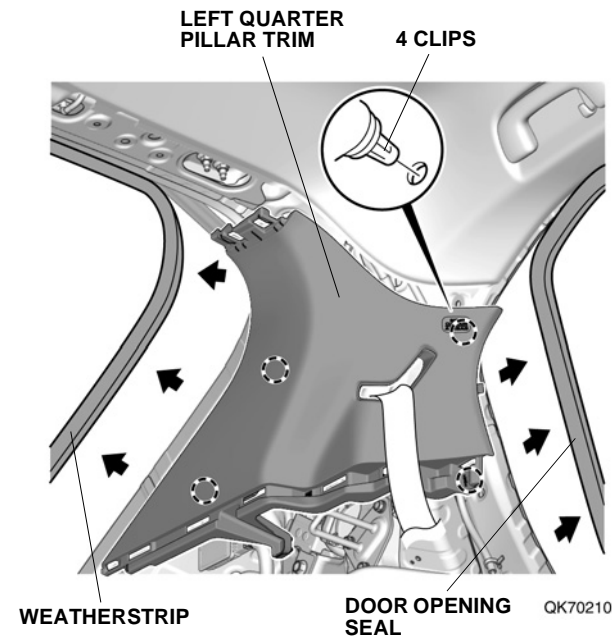
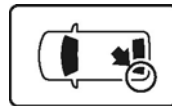
QKN0702BU

30. Remove the rear roof trim.



QM70441AU

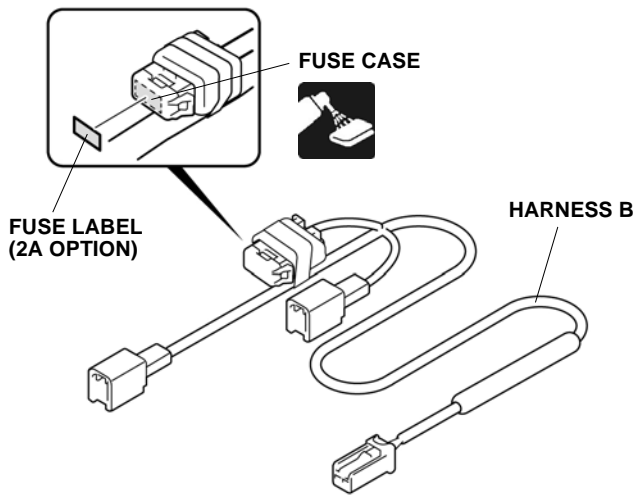
31. Remove the left quarter pillar trim.



QK70210BU

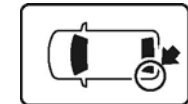
Routing the Harness B

32. Attach the fuse label.

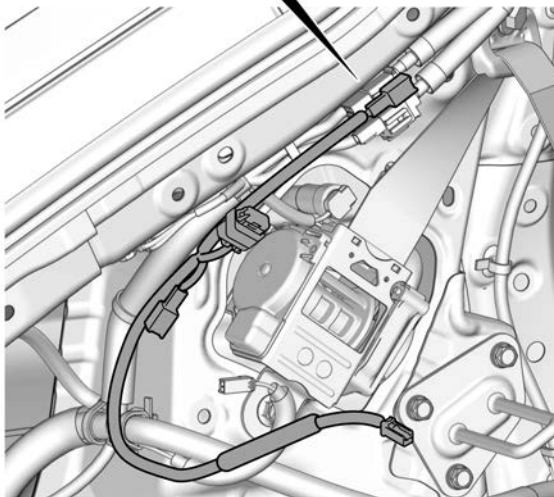
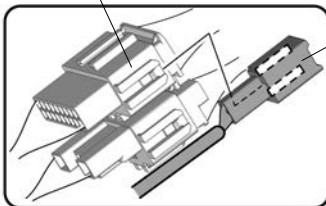


QM70411AU

33. Secure the harness B.



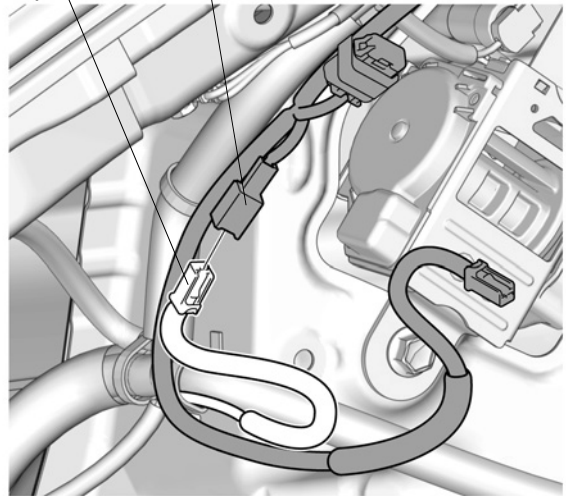
VEHICLE 18-PIN CONNECTOR



QM70412AU

34. Connect the vehicle connector.

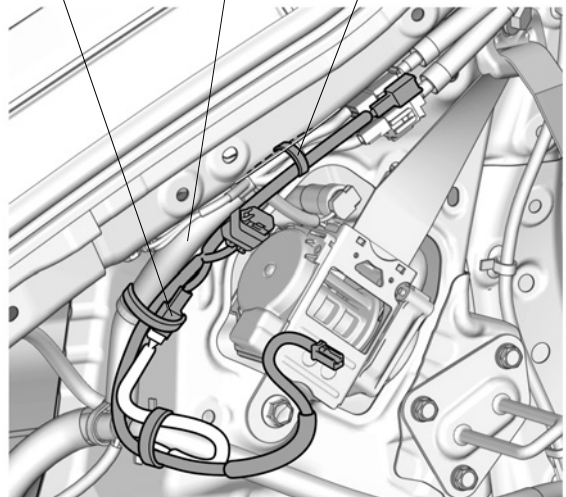
VEHICLE 2-PIN CONNECTOR (BLUE)
HARNESS B 2-PIN CONNECTOR



QM70414BU

35. Secure the harness B and the connectors.

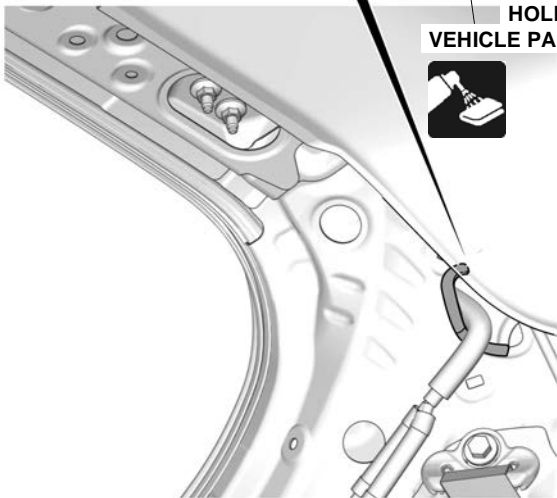
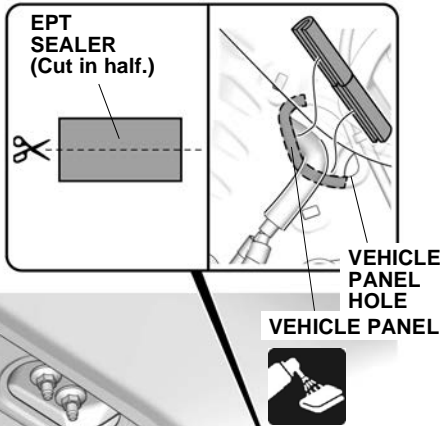
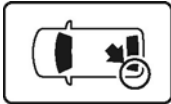
2-PIN CONNECTORS
VEHICLE HARNESS
3 WIRE TIES



QM70413BU

Routing the Harness A

36. Wrap the EPT sealer.



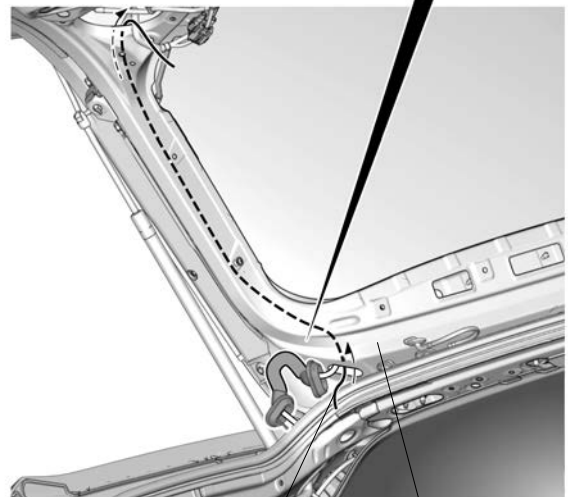
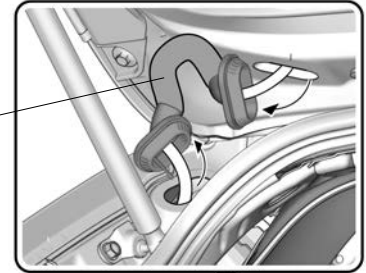
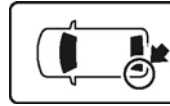
QM70438AU

37. Remove the vehicle grommet.

38. Route the steel wire.

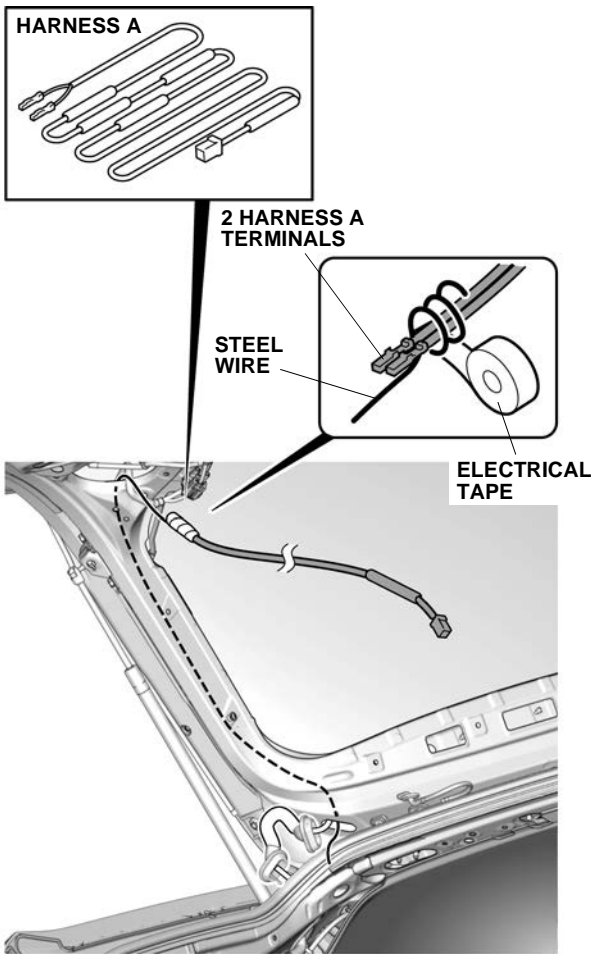
NOTICE

- Do not damage the vehicle harness with the steel wire.



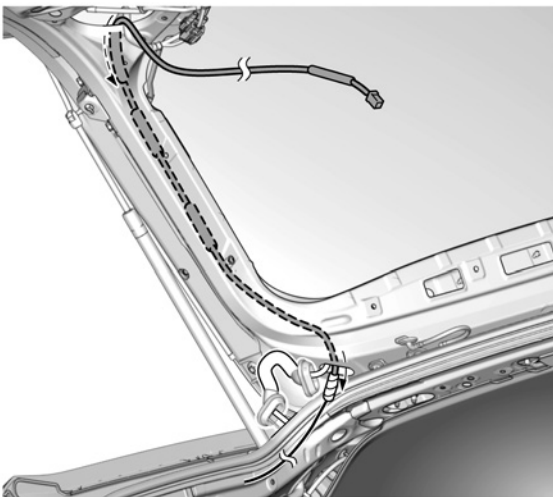
QM70416AU

39. Attach the steel wire.



QM70417AU

40. Route the harness A.



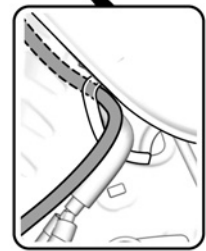
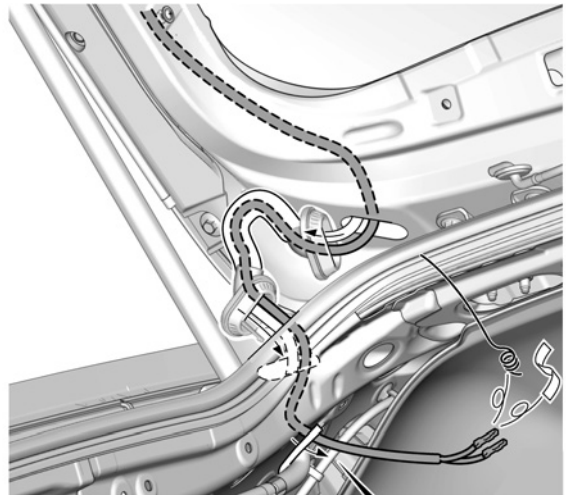
QM70418BU

41. Route the harness A.

NOTICE

- Do not damage the vehicle grommet or the vehicle harness with the steel wire.
- Make sure that the steel wire is not caught between the vehicle harness inside the vehicle grommet.

42. Remove the steel wire.



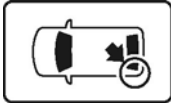
QM70419BU

43. Reinstall the vehicle grommet.

NOTICE

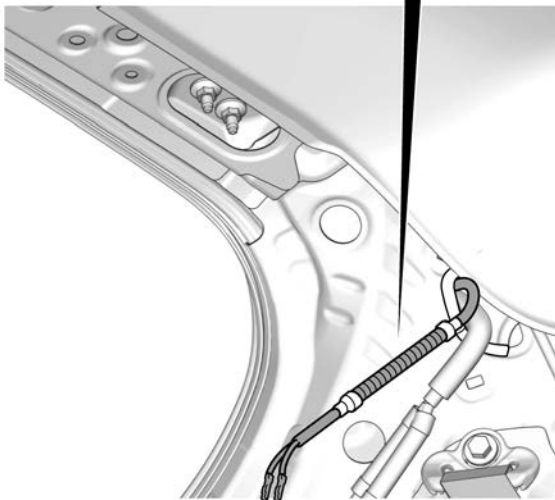
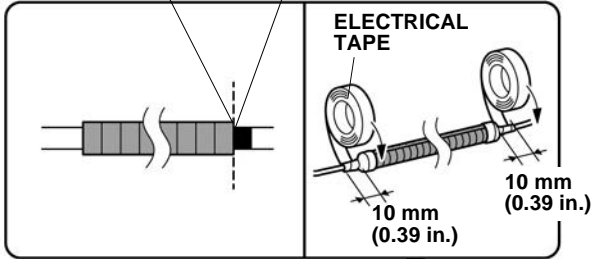
- Install the vehicle harness by holding the grommet.
- Make sure to check that the grommet is secured properly.

44. Secure the corrugated tube.



EDGE OF CORRUGATED TUBE
(Align with the edge of the green tape.)

EDGE OF GREEN TAPE

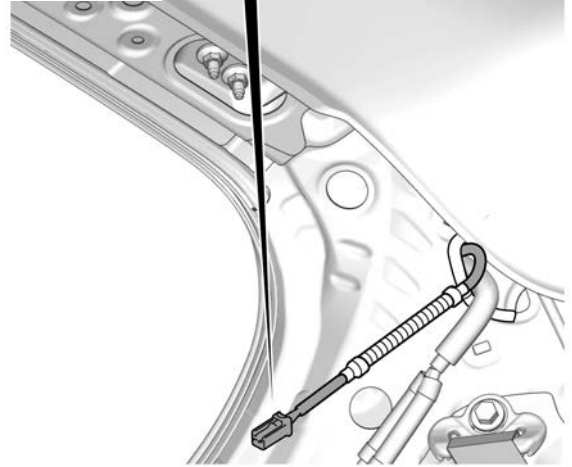
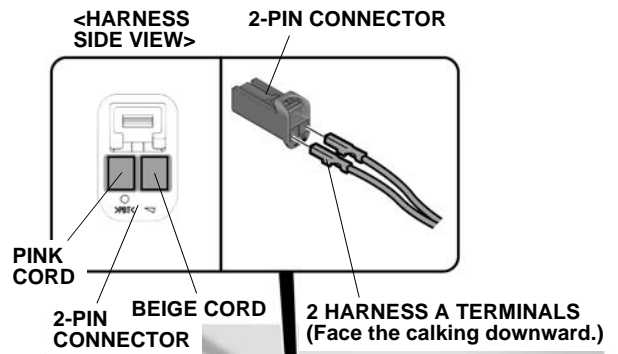


QM70421BU

45. Connect the 2-pin connector.

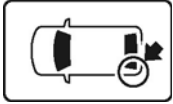
NOTICE

- Make sure to insert the terminals in the correct position and orientation.

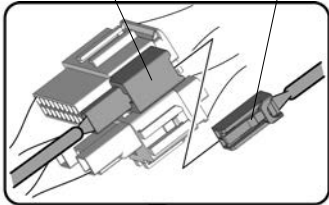


QM70422BU

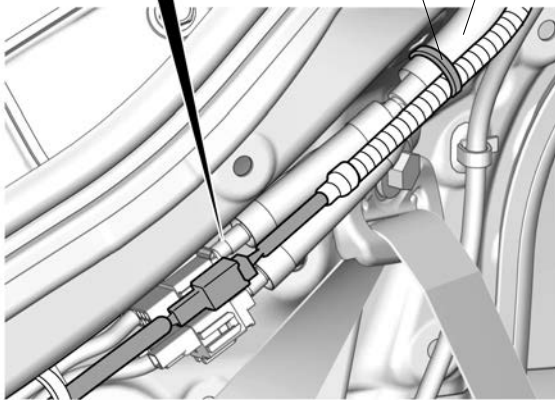
- 46. Connect the harness A connector.
- 47. Secure the harness A.



HARNESS B 2-PIN CONNECTOR HARNESS A 2-PIN CONNECTOR

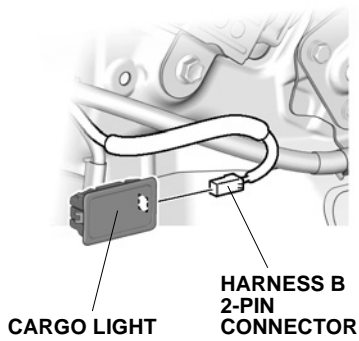


VEHICLE HARNESS
WIRE TIE



QM70423AU

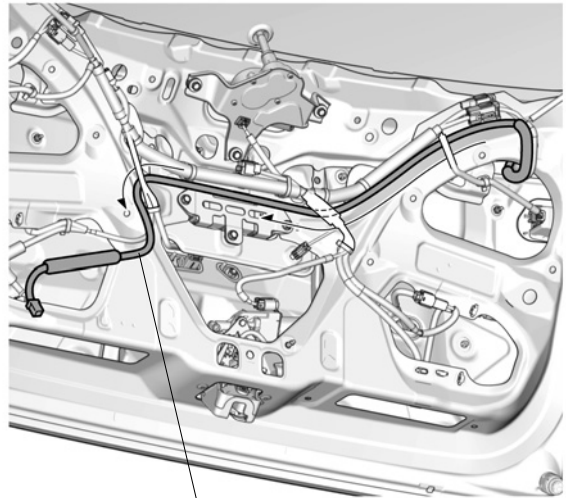
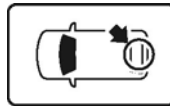
- 48. Connect the harness B connector.



CARGO LIGHT HARNESS B 2-PIN CONNECTOR

QN31002AH

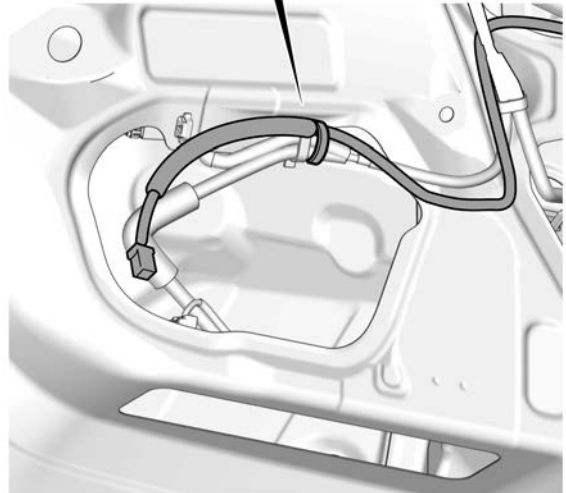
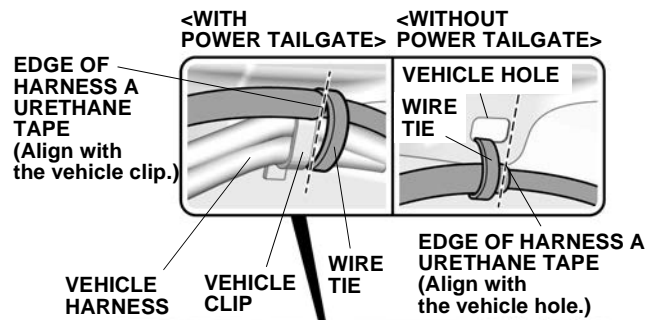
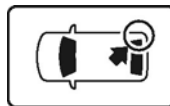
- 49. Route the harness A.



HARNESS A

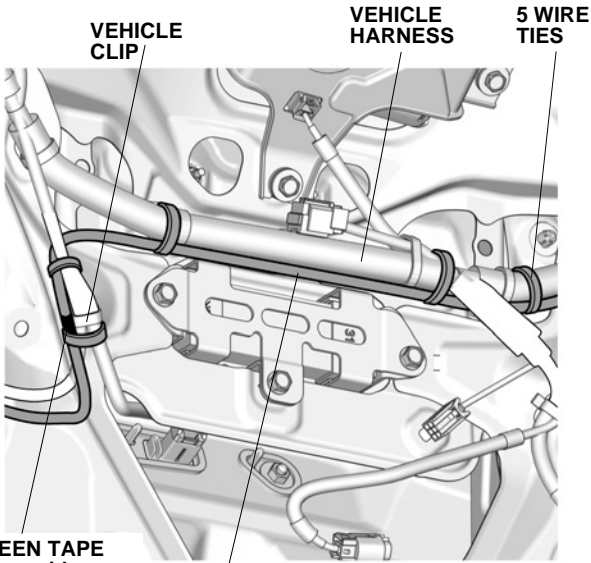
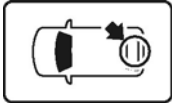
QM70425AU

- 50. Secure the harness A.



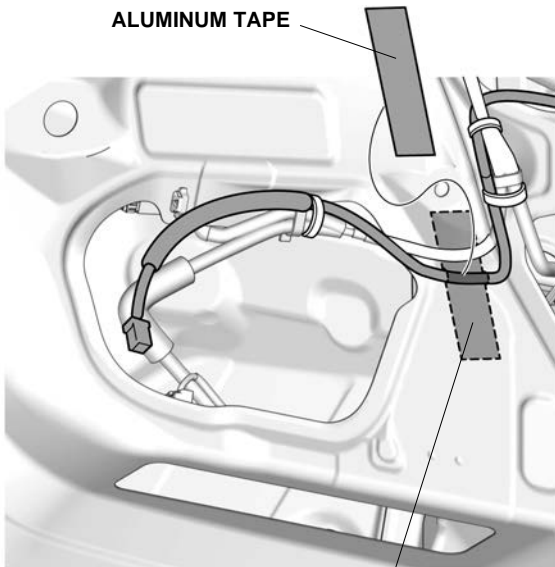
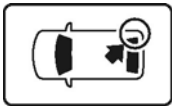
QM70426AU

51. Secure the harness A.



QM70428BU

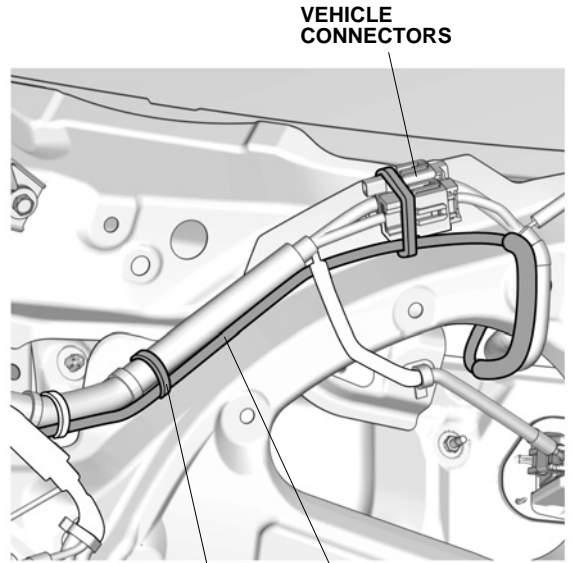
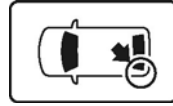
52. Secure the harness A.



QM70427BU



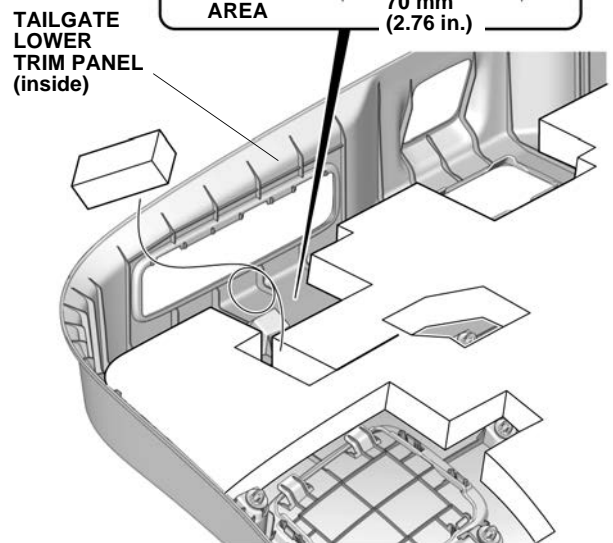
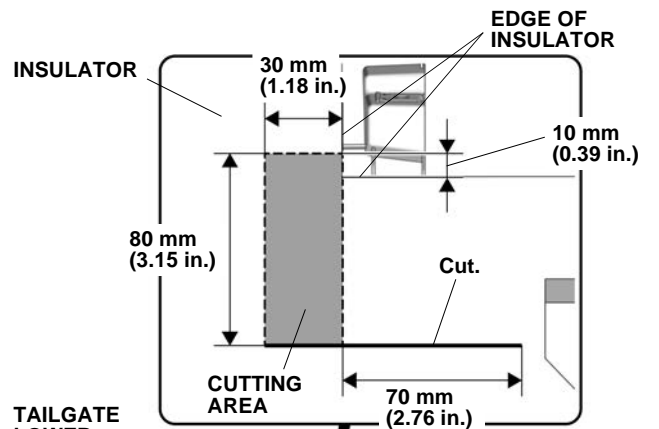
53. Secure the harness A.



QM70429AU

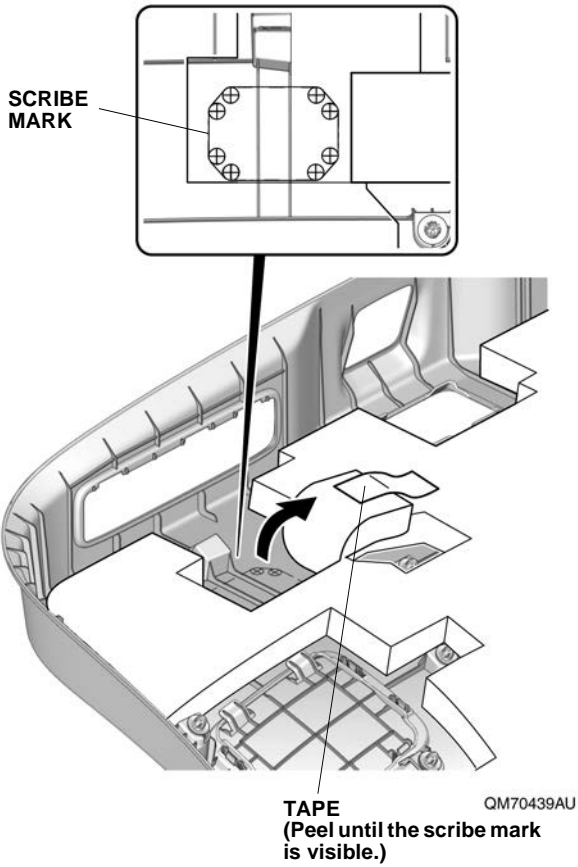
Installing the Light

54. Cut out the insulator.

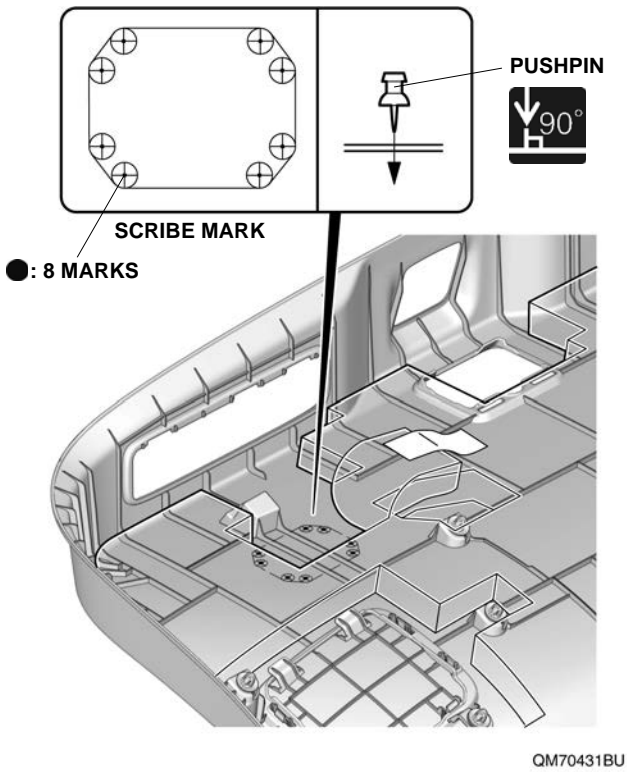


QM70430BU

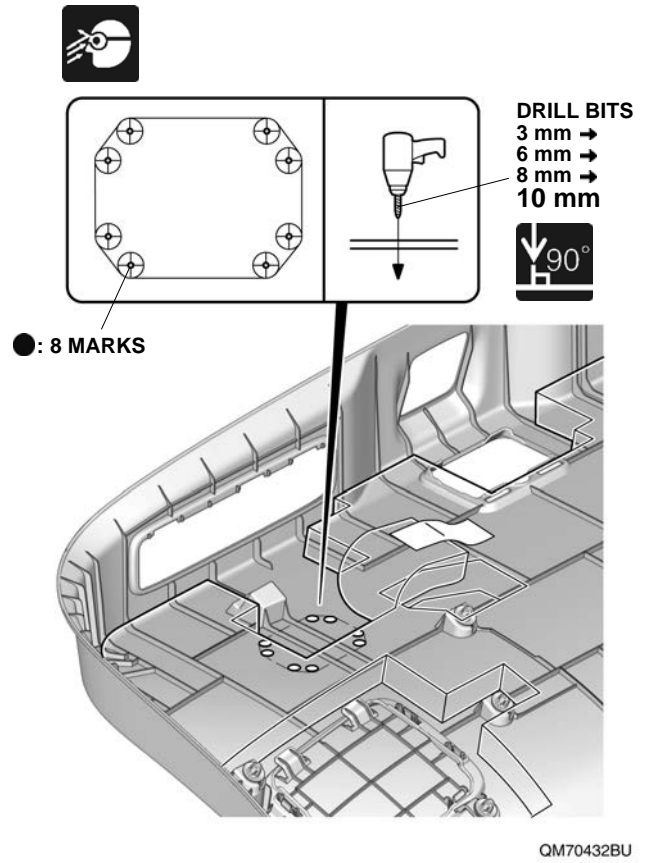
55. Peel the insulator.



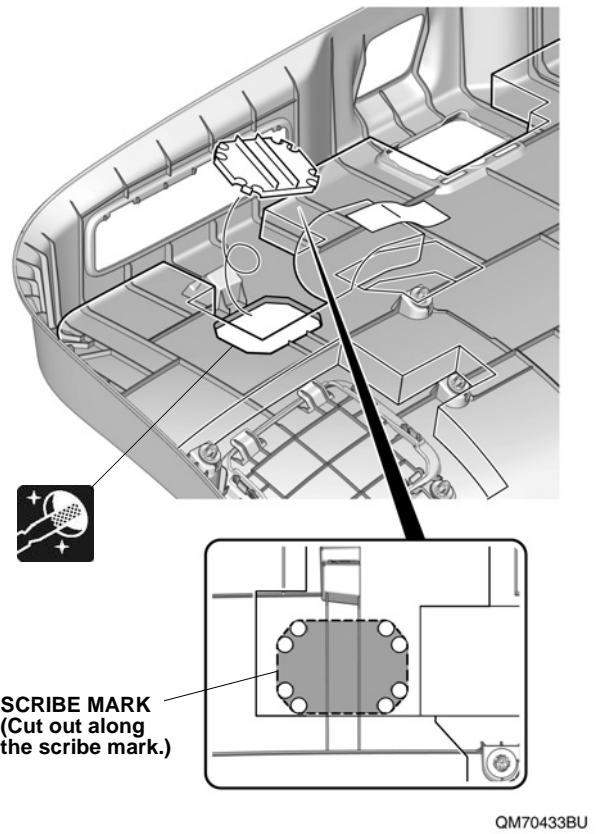
56. Pierce the tailgate lower trim panel.



57. Drill the tailgate lower trim panel.



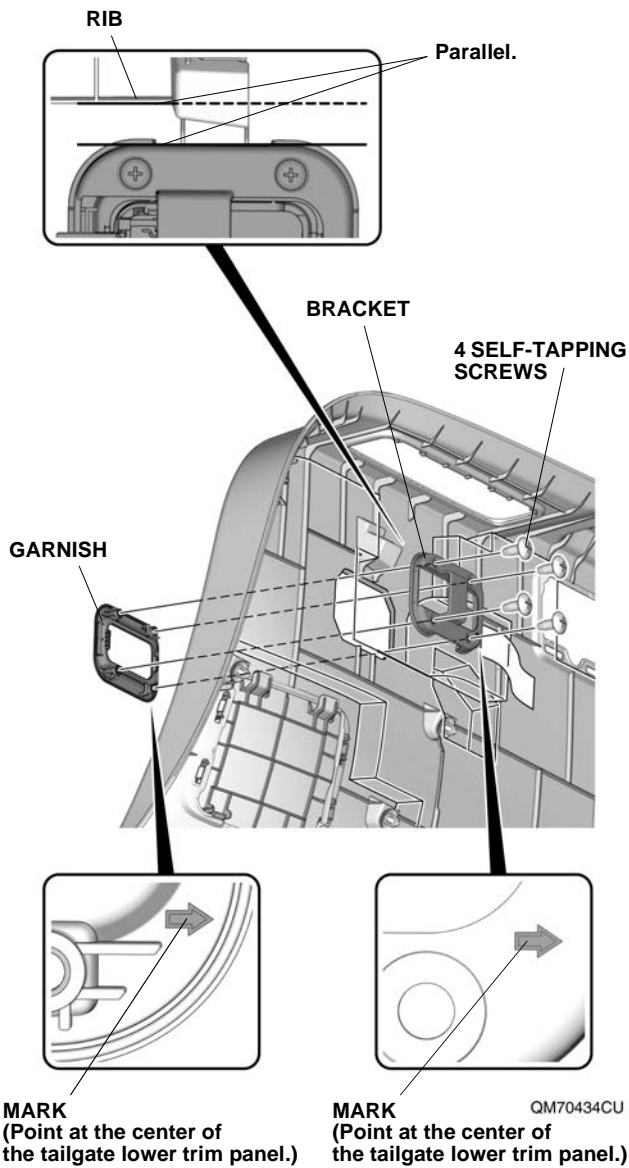
58. Cut out the tailgate lower trim panel.



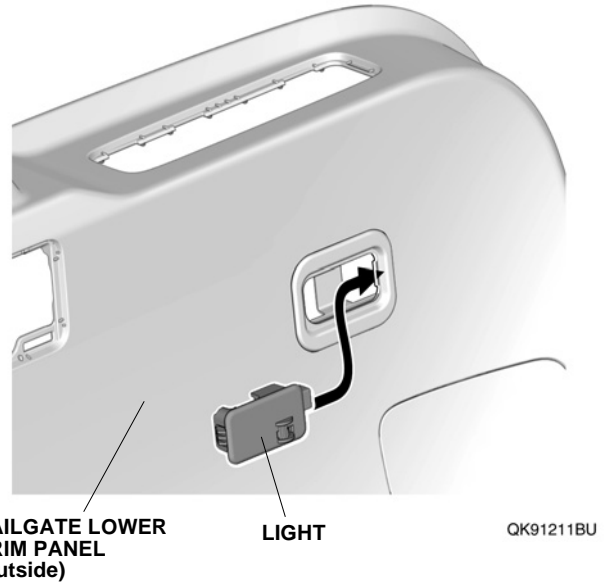
59. Install the garnish and the bracket.

NOTICE

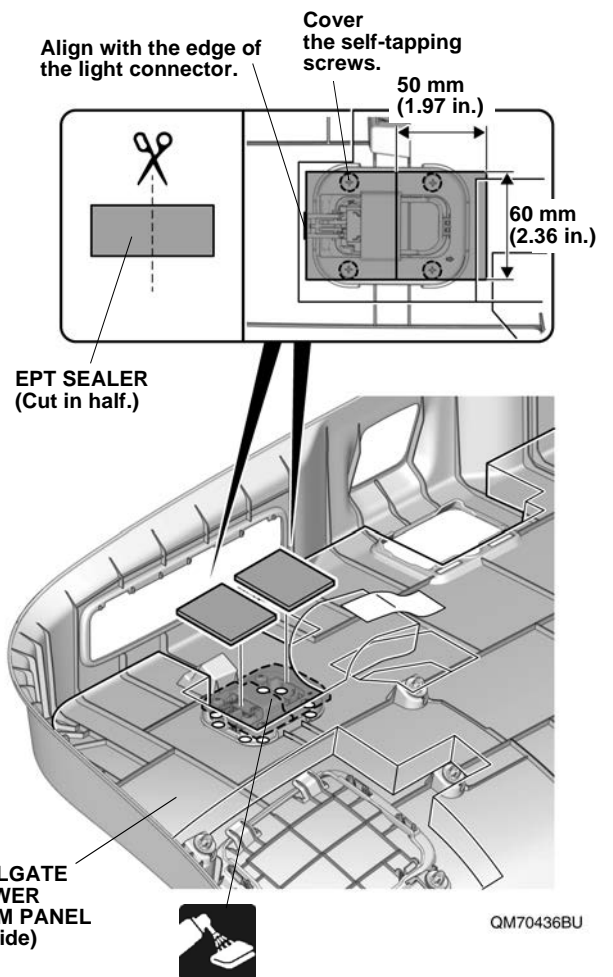
- Make sure to install the garnish and the bracket in the correct orientation.



60. Install the light.

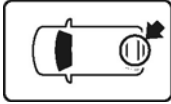


61. Attach the EPT sealer.



62. Remove the tape attached in step 55.

- 63. Connect the harness A connector.
- 64. Reinstall the tailgate lower trim panel.



**HARNESS A
2-PIN CONNECTOR**



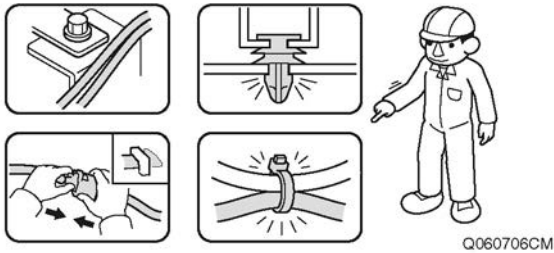
QM70437AU

Check After Installation

- 65. Check that all parts are routed and installed properly.

NOTICE

- Check that the harnesses are not pushed, not pulled and not pinched.
- Check that all clamps and wire ties are installed securely.



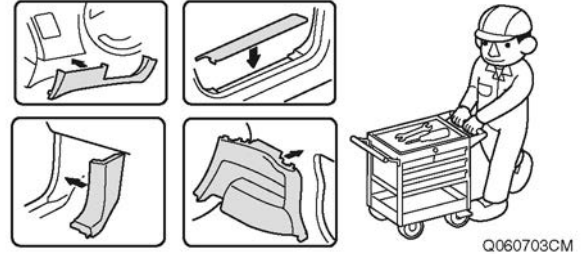
Q060706CM

Reinstalling the All Removed Parts

- 66. Reinstall all removed parts.

NOTICE

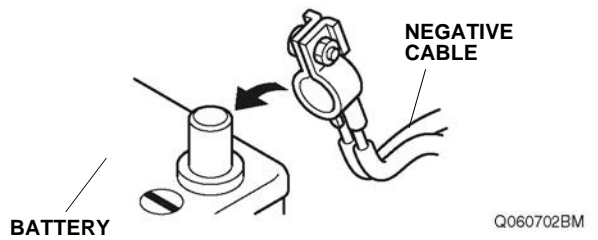
- Be extremely careful not to damage the vehicle parts, pinch the harnesses.
- Make sure to secure the retaining tabs and clips properly to avoid separation.



Q060703CM

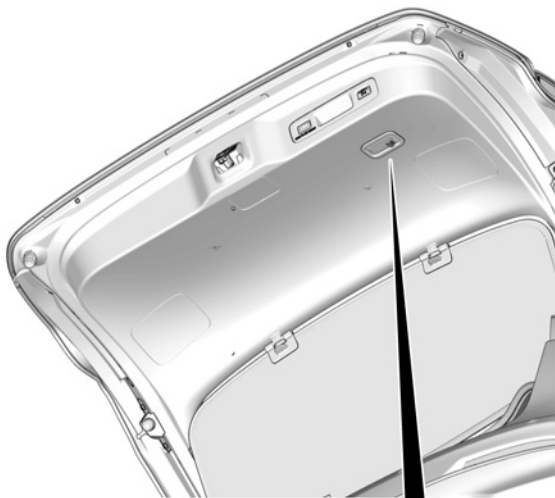
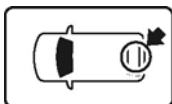
Operation Check

- 67. Reconnect the negative cable to the battery.

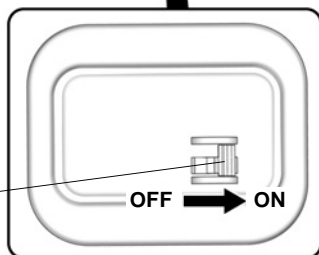


Q060702BM

68. When the tailgate light switch is ON, make sure that the tailgate light turns on when the tailgate is opened.



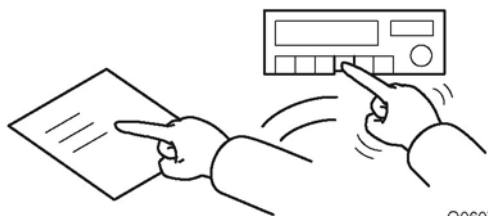
TAILGATE
LIGHT SWITCH



QM70440AU

Vehicle Check

69. Check that the electric accessories and systems operate properly.
70. Press and hold the audio power button for two seconds, or enter anti-theft code for the audio/navigation system.
71. Reset the memory of each equipment and restore the positions of those control knobs.



Q060704BM