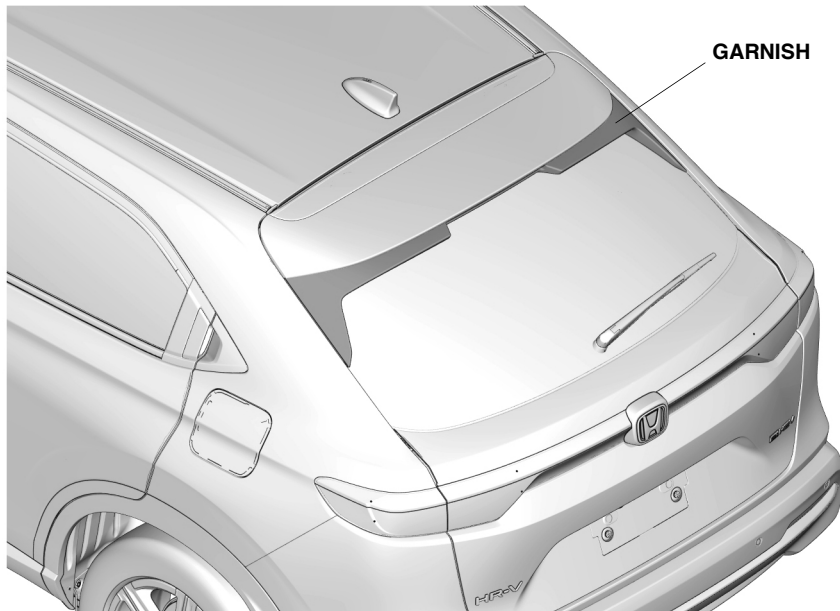


TAILGATE SPOILER

*HR-V***GENERAL VIEW**

QL10701AJ

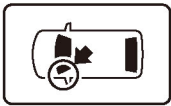
FOR YOUR SAFETY (Read carefully)**Introduction of Symbol Messages**

- These symbols warn you about the possible hazards and explain how to avoid them. The symbols also provide you with some advice.

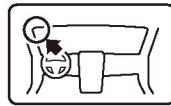
⚠ DANGER**You will be killed or seriously hurt if you do not follow the instructions.****⚠ WARNING****You may be killed or seriously hurt if you do not follow the instructions.****⚠ CAUTION****You may be hurt if you do not follow the instructions.****NOTICE****Gives advice to prevent damage to the product.****Gives helpful information or instructions to be followed in using the product.****Indicates prohibited actions.**

Introduction of Icons

- These icons indicate the working place and the worker's viewing angle.



The place for the vehicle.



The place for the instrument panel.

- These icons indicate the necessary actions that need to be taken to ensure your safety and the success of the work.



Wear eye protection.



Wear heavy gloves.



Work with an assistant.



Place the part on a blanket.



Remove any burrs.



Use the touch-up paint and dry.



Keep the parts and give them to the customer. (Do not use)



Press firmly.



Tighten by the specified torque.

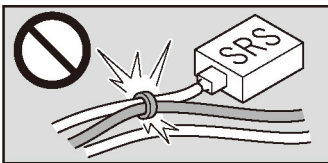


Work perpendicularly.

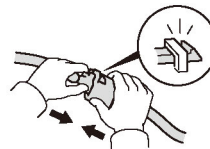


Clean with the contact cleaner.

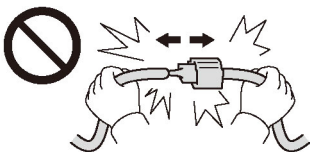
Wire Harness Routing Precaution



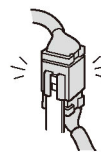
Do not clamp the accessory harness and SRS harness together.



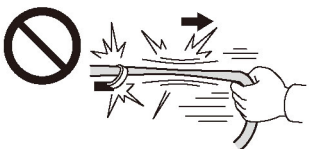
Connect the connectors and terminals securely until they lock.



Do not pull the harness to disconnect the connectors.



Reinstall the connectors to their original positions if they were removed.



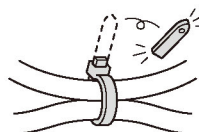
Do not pull the harness strongly.



Secure the accessory harness to the specified position so that the accessory harness does not hang down.



Do not pinch the harness with the parts.



Cut off the excess from the wire ties.

Safety: General

- Follow all safety information and precautions described in the workshop manual in addition to those described in these installation instructions. Most importantly, take extreme care to ensure your own safety and the safety of others.
- Be careful not to damage the vehicle and the parts.
- Be extremely careful when you handle the retaining tabs and clips.
- Note the locations of the parts before removing them so that they can be reinstalled in their original positions properly.
- The illustrations may differ a little from the actual accessories for the design change of the vehicle.

Safety: For Electric Parts

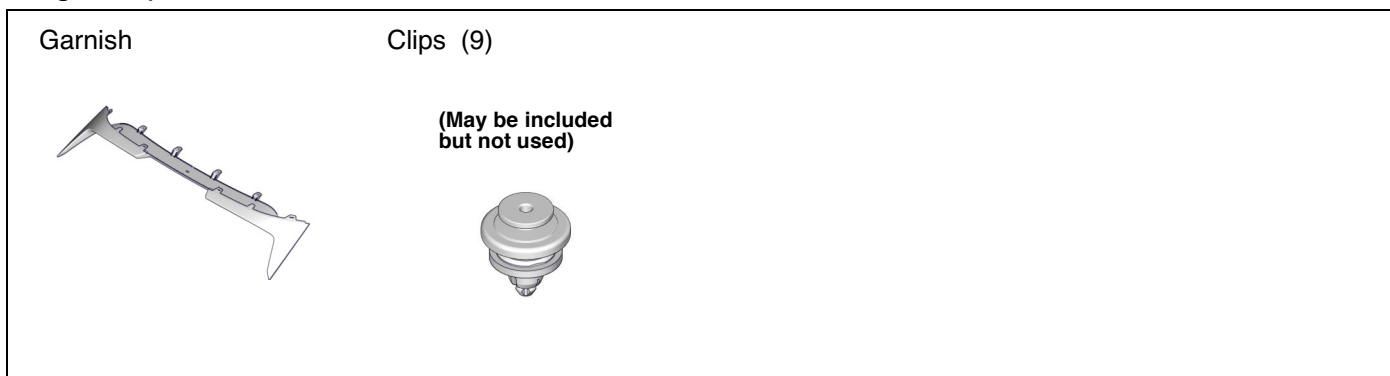
- Do not install the accessories if the negative cable of the battery is connected.

Safety: For the Accessories

- **Always use the parts and tools specified in the installation instructions.**

PARTS LIST

Tailgate Spoiler Kit



TOOLS AND SUPPLIES REQUIRED

- Phillips screwdriver
- 8 mm and 10 mm sockets
- Ruler
- 10 mm and 14 mm open end wrenches
- Long-nose pliers
- Torque wrench
- Masking tape
- Ratchet
- Blanket
- Handy remover

INSTALLATION

Disconnecting the Battery Cable

1. Perform the work before you disconnect the negative cable from the battery as shown below.

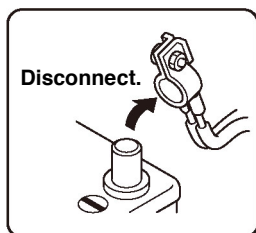
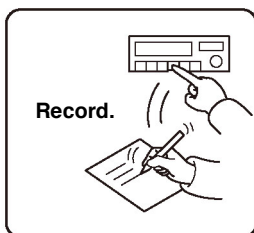
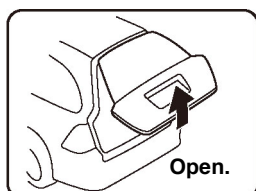
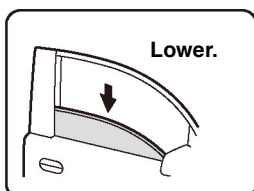
NOTICE

- Take measures to prevent the tailgate from locking.

2. Make sure that you have the anti-theft code for the audio/navigation system. Record some settings of the vehicle if necessary.
3. Disconnect the negative cable from the battery.

NOTICE

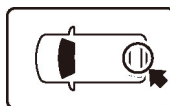
- Do not disconnect the negative cable from the battery for at least three minutes after turning the engine switch to OFF.



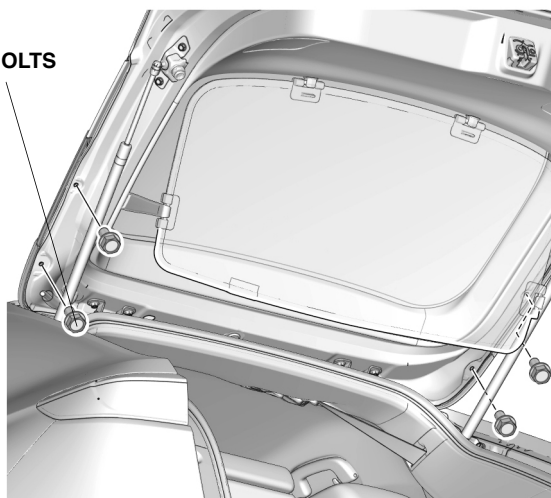
QCD0504BM

Removing the Vehicle Parts

4. Remove the bolts.

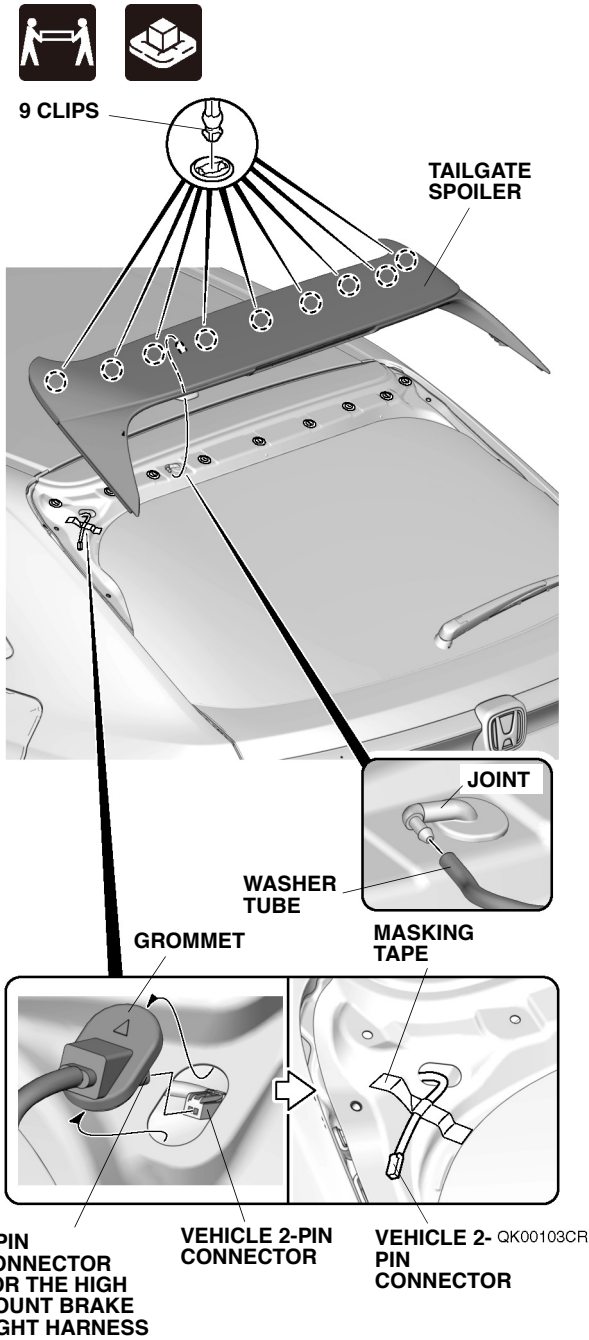


4 BOLTS

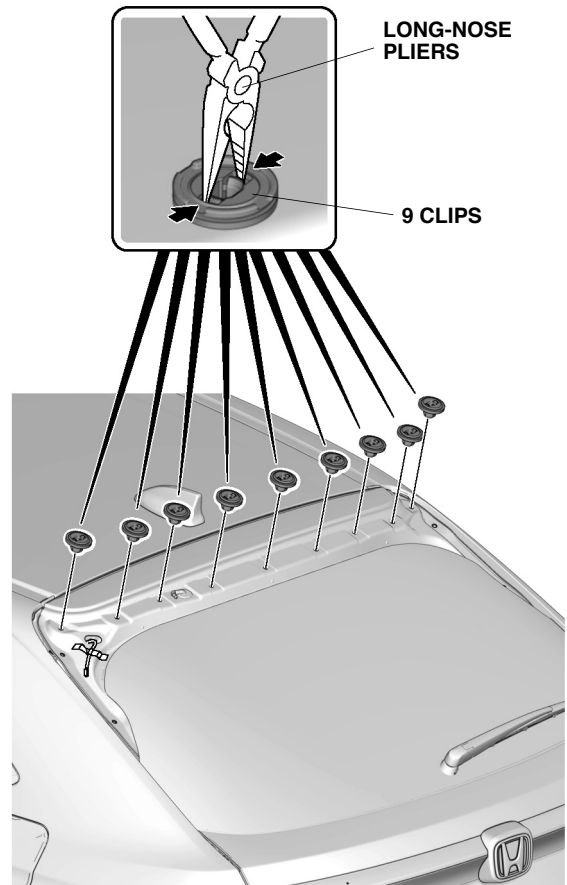


QL10702BJ

5. Remove the tailgate spoiler.
6. Loosely secure the vehicle connector.



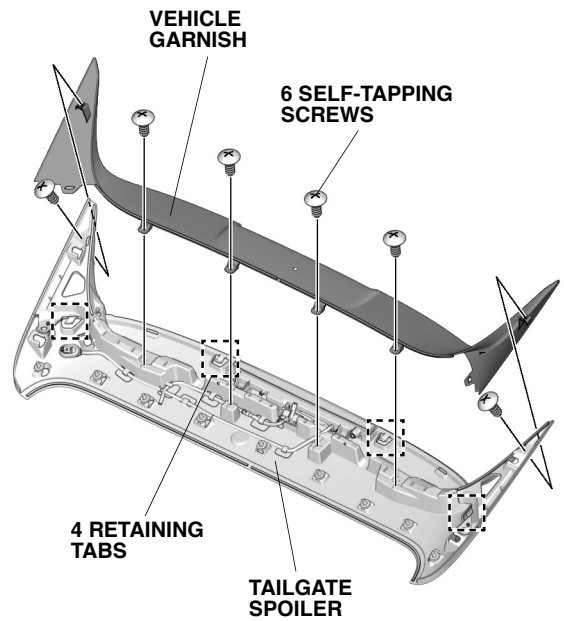
7. Remove the clips.



QK00104CR

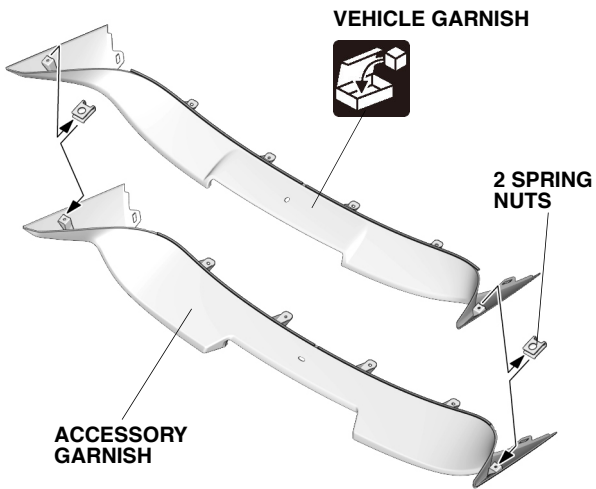
Installing the Spoiler

8. Remove the garnish.



QK00106DR

9. Remove the spring nuts.
10. Install the spring nuts.

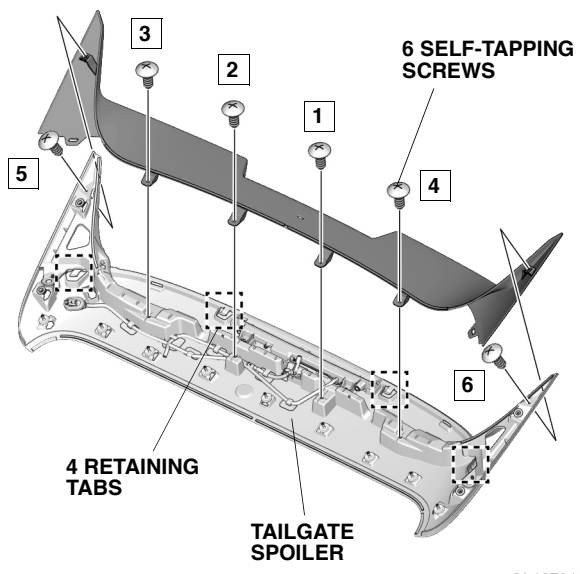


QL10703AJ

11. Install the garnish.

NOTICE

- Install in the order shown.

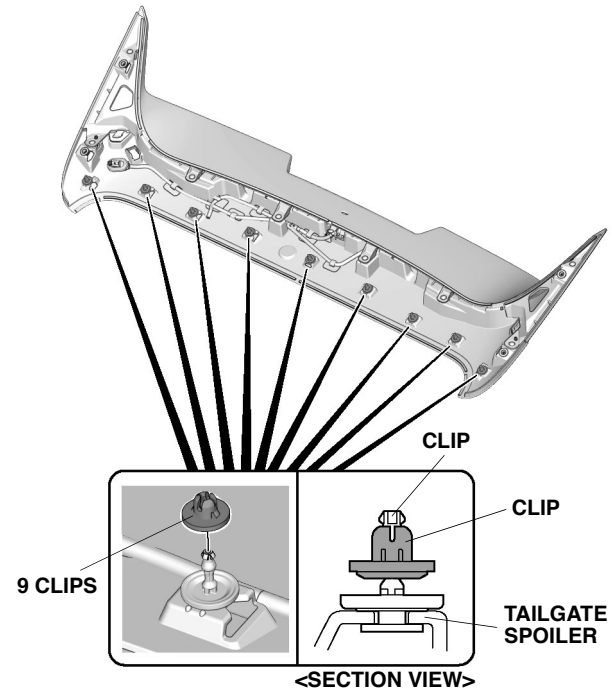


QL10704AJ

12. Install the clips.

NOTICE

- Check that the clips and seals are not damaged. If damaged, make sure to replace with new clips.

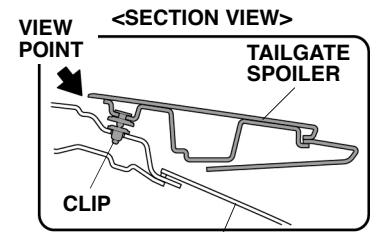
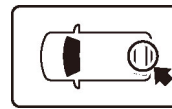


QM60401AT

13. Remove the masking tape.
14. Reconnect the washer tube.
15. Reconnect the vehicle connector.
16. Install the tailgate spoiler.

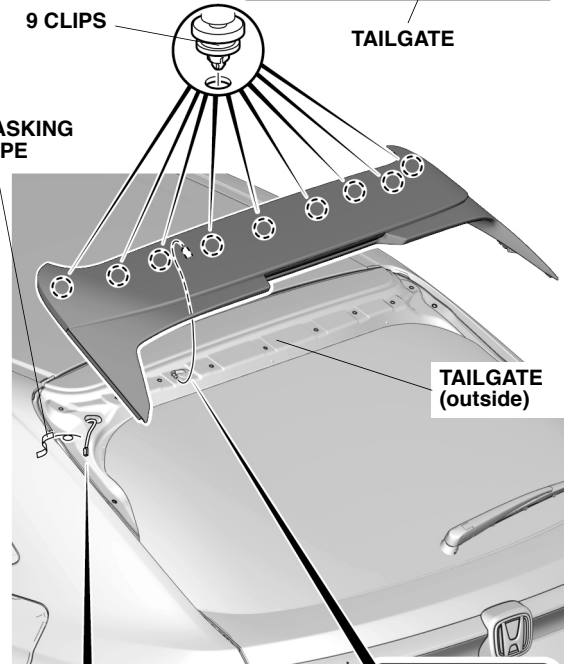
NOTICE

- Ensure that the tube is not pinched.
- Hold the grommet to install the harness.
- Make sure to check that the grommet is secured properly.
- Carefully align the clips before installation.

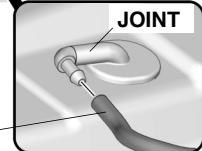


9 CLIPS

MASKING TAPE



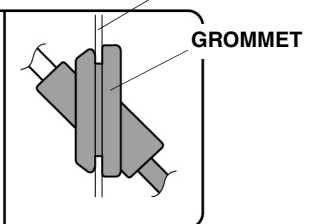
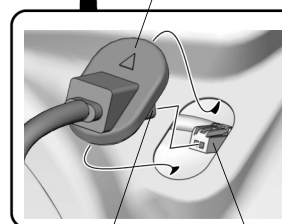
TAILGATE (outside)



WASHER TUBE

GROMMET

VEHICLE PANEL



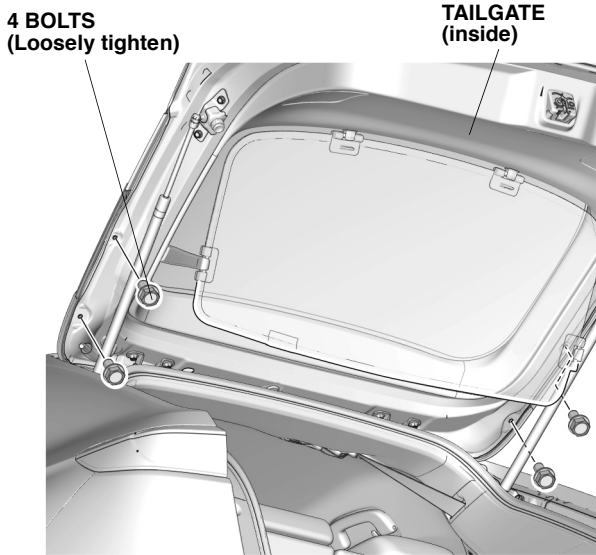
<SECTION VIEW>

2-PIN CONNECTOR FOR THE HIGH MOUNT BRAKE LIGHT HARNESS

VEHICLE 2-PIN CONNECTOR

QL10706BJ

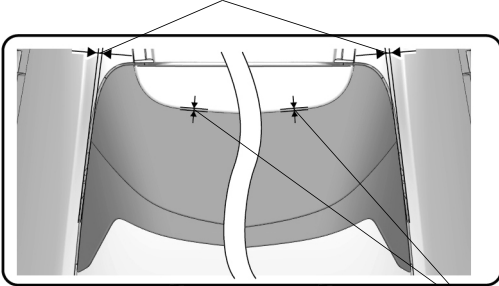
17. Loosely secure the tailgate spoiler.



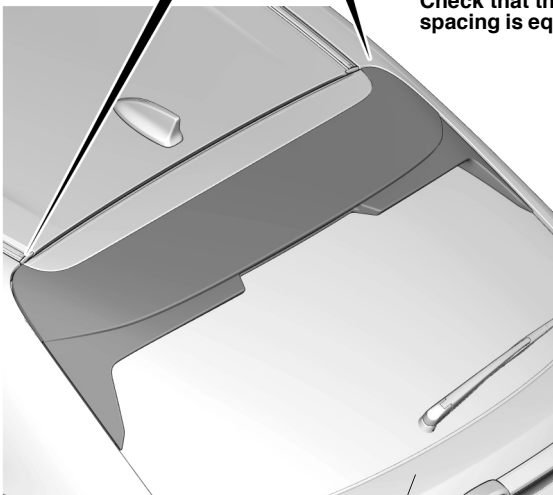
QL10702BJ

18. Check the position.

Check that the spacing is equal on both sides.



Check that the spacing is equal.



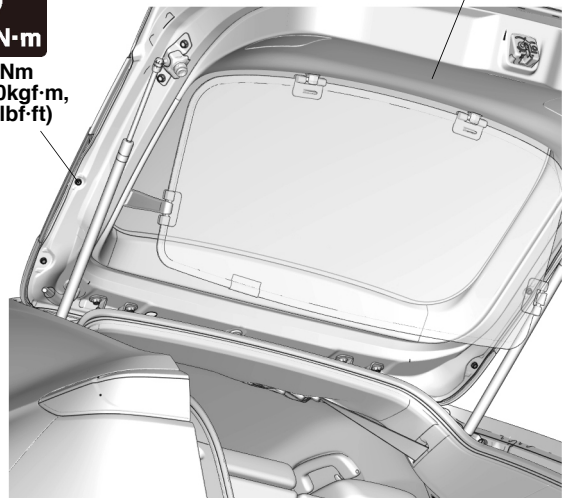
QL10707AJ

19. Secure the tailgate spoiler.

4 BOLTS

N·m
9.8Nm
(1.0kgf·m,
7.2lbf·ft)

TAILGATE (inside)



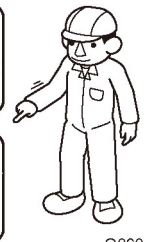
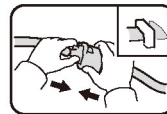
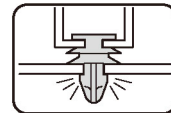
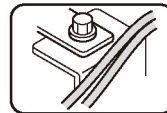
QL10708AJ

Check After Installation

20. Check that all parts are routed and installed properly.

NOTICE

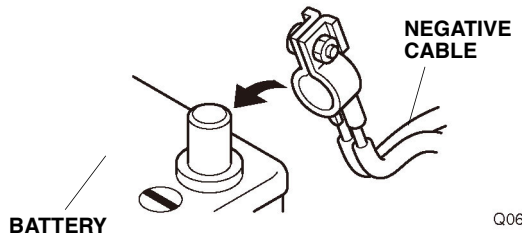
- Check that the harnesses are not pushed, not pulled and not pinched.
- Check that all clamps and wire ties are installed securely.



Q060706CM

Operation Check

21. Reconnect the negative cable to the battery.



Q060702BM

22. Ensure that the high mount brake light comes on.

Vehicle Check

23. Check that the electric accessories and systems operate properly.
24. Press and hold the audio power button for two seconds, or enter the anti-theft code for the audio/navigation system.
25. Reset the memory of each piece of equipment and restore the positions of the control knobs.

