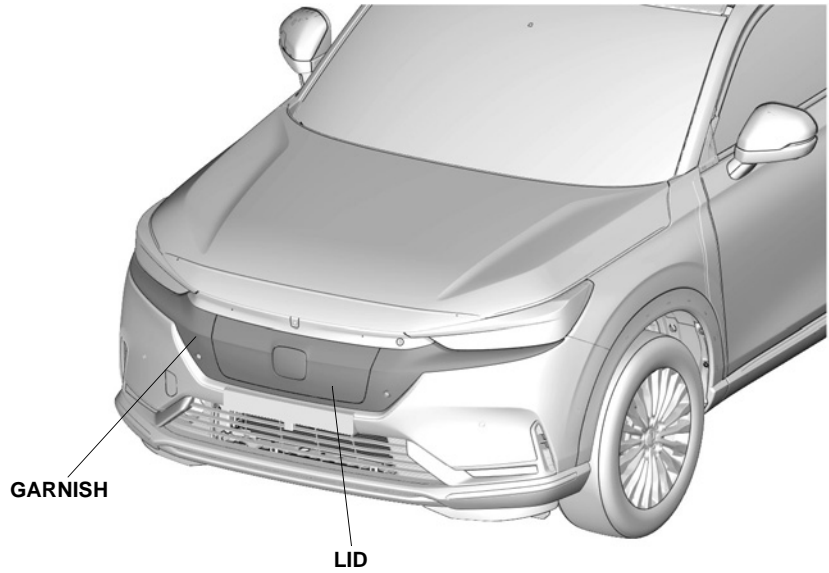


FRONT GRILLE	<i>e:Ny1</i>
--------------	--------------

GENERAL VIEW




QM50501AT

FOR YOUR SAFETY (Read carefully)

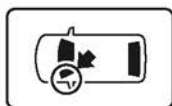
Introduction of Symbol Messages

- These symbols warn you about the possible hazards and explain how to avoid them. And give you some advices.

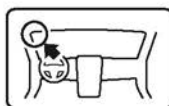
⚠ DANGER	You will be killed or seriously hurt if you do not follow the instructions.
⚠ WARNING	You can be killed or seriously hurt if you do not follow the instructions.
⚠ CAUTION	You can be hurt if you do not follow the instructions.
NOTICE	Gives advice to prevent damage to the product. Gives helpful information or instructions to be followed in using the product.
	Indicates prohibited actions.

Introduction of Icons

- These icons indicate the working place and the worker's vision.



The place for the vehicle.



The place for the instrument panel.

- These icons indicate the necessary things for your safety and the work.



Wear eye protection.



Wear heavy gloves.



Work with an assistant.



Place the part on a blanket.



Remove any burrs.



Use the touch-up paint and dry.



Keep the parts and give it to the customer.
(Not use)



Press firmly.



Tighten by specified torque.

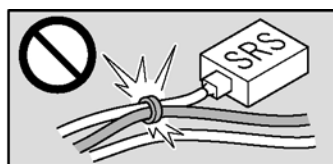


Work perpendicularly.



Clean with the contact cleaner.

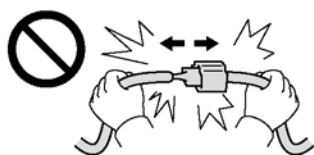
Wire Harness Routing Precaution



Do not clamp the accessory harness and SRS harness together. (except for instruction cases).



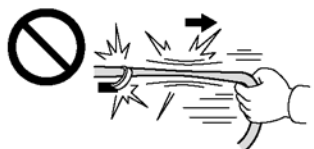
Connect the connectors and terminals securely until they lock.



Do not pull the harness to disconnect the connectors.



Reinstall the connectors to the original positions if they are removed.



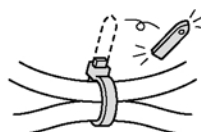
Do not pull the harness strongly.



Secure the accessory harness to the specified position, not to hang down.



Do not pinch the harness with the parts.



Cut off the excess of the wire ties.

Safety: General

- Observe all safety notes and precautions described in the Shop Manual in addition to those described in this Installation Instructions. Be extremely careful for your safety and safety of others particularly.
- Be careful not to damage the vehicle and the parts.
- Be extremely careful to the handling of the retaining tabs and clips particularly.
- Note the locations of the parts before removing them so that they can be reinstalled in their original positions properly.
- The illustrations may differ a little from the actual accessories for the design change of the vehicle.

Safety: For Electric Parts

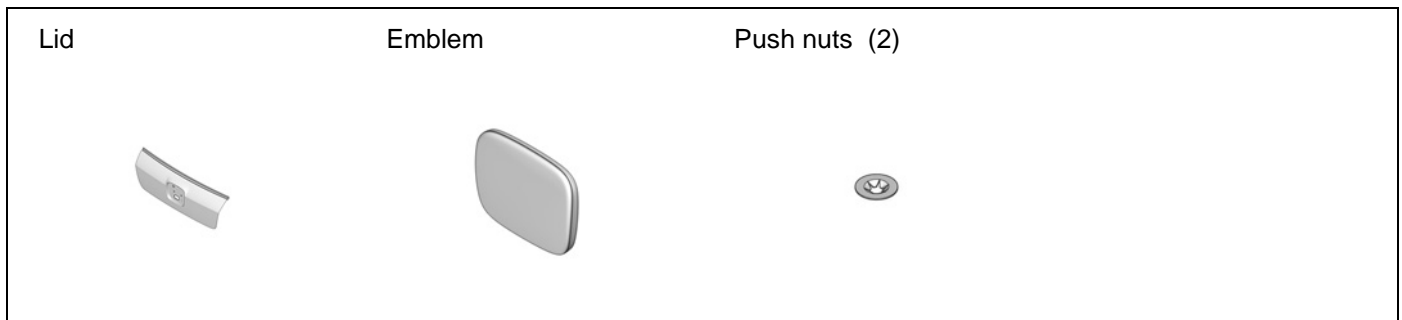
- Do not perform the installation of the accessories with having connected negative cable of the battery.

Safety: For the Accessory

- Always use the parts and tools specified in the installation instructions.
- Do not perform installation work and attaching work at the place where gets the direct rays of the sun or the dust appears.
- Always install these accessories at the ambient air temperature 15°C (60°F) or above.
- Heat the accessories and bonding surfaces if the ambient air temperature is below 15°C (60°F).
- Attach the accessories by pressing it firmly with the palm of your hand. Be careful not to damage the accessories and the vehicle parts.
- Carefully place the double-sided adhesive tape on the proper position. Once the double-sided adhesive tape touches the surface, do not try to detach and relocate it. If you attempt to move after it touches the surface, you will damage the part before the adhesive will give way.
- Not to wash the vehicle for 24 hours to allow the adhesive to cure.

PARTS LIST

Front Grille Kit

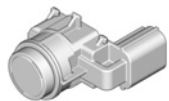


Front Grille Garnish Kit



Sensors Kit

Sensors (2)



TOOLS AND SUPPLIES REQUIRED

- Phillips screwdriver
- Tape
- Ratchet
- 10 mm Open end wrench
- Blanket
- Contact cleaner
- Handy remover
- 6 mm, 8 mm, and 10 mm Sockets
- Shop towel

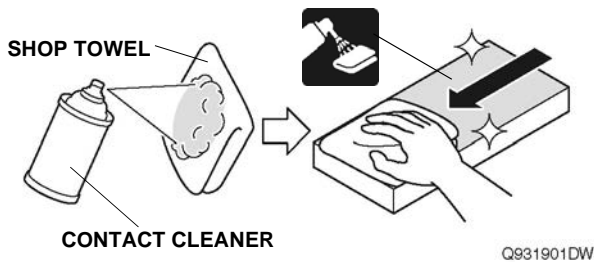
INSTALLATION

How to Use the Contact Cleaner

- Using contact cleaner on a shop towel, thoroughly clean the areas where the accessories will be attached.

NOTICE

- Always use the contact cleaner.
- Do not apply the cleaner to the object of the work directly.
- Allow to dry completely the cleaned areas before attachment work.



Disconnecting the Battery Cable

1. Perform the works before disconnecting the negative cable from the battery as shown below.
2. Make sure if you have the anti-theft code for the audio/navigation system. Record some settings of the vehicle if necessary.
3. Turn the power switch to ON.
4. Turn the power switch to OFF.

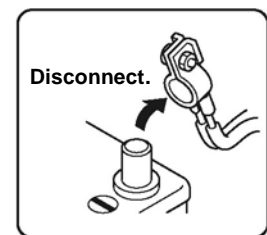
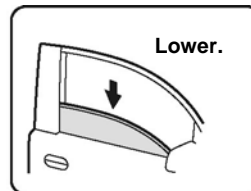
NOTICE

- Make sure that the indicator of power switch is lighted out.

5. Disconnect the negative cable from the battery.

NOTICE

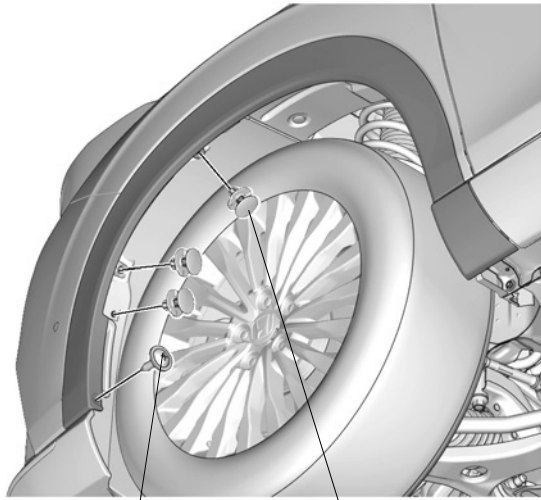
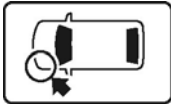
- With the driver's door open, turn the vehicle to the OFF (LOCK) mode, then wait at least 3 minutes before disconnecting the 12 volt negative battery cable.



QCD0502BM

Removing the Vehicle Parts

6. Remove the clips and self-tapping screw.



SELF-TAPPING SCREW

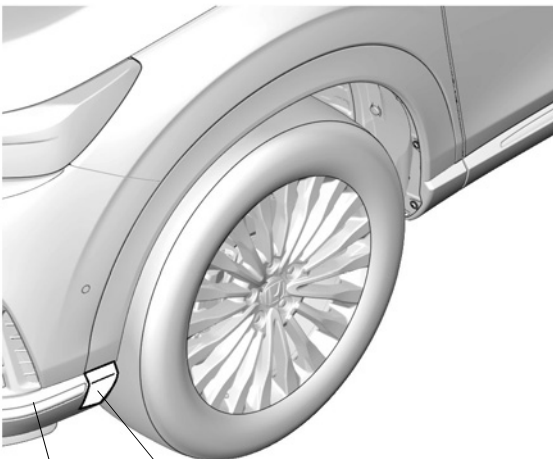
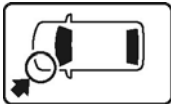
3 CLIPS

QM50401AT

7. Attach the tapes to protect the vehicle.

NOTICE

- Do not remove the tapes until after the reinstallation.

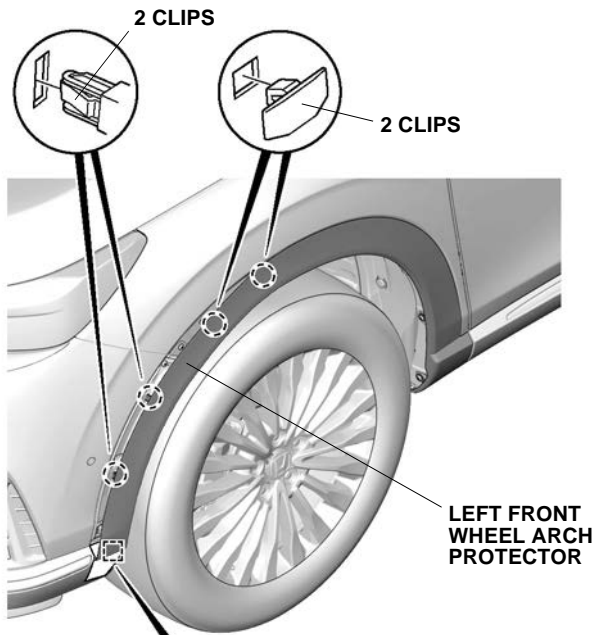


FRONT BUMPER

TAPES

QM50402AT

8. Release the left front wheel arch protector.



2 CLIPS

2 CLIPS

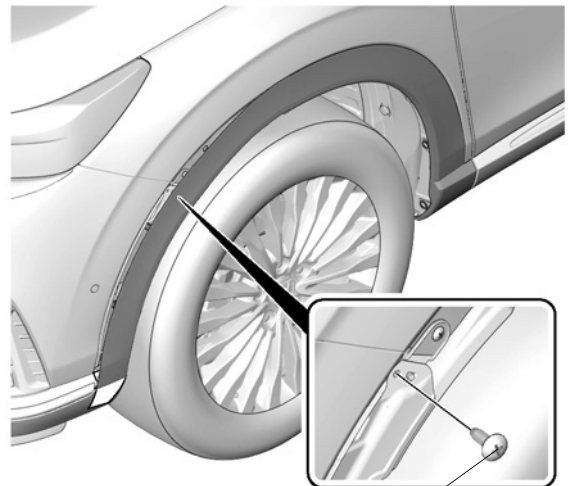
LEFT FRONT WHEEL ARCH PROTECTOR



RETAINING TAB

QM50403AT

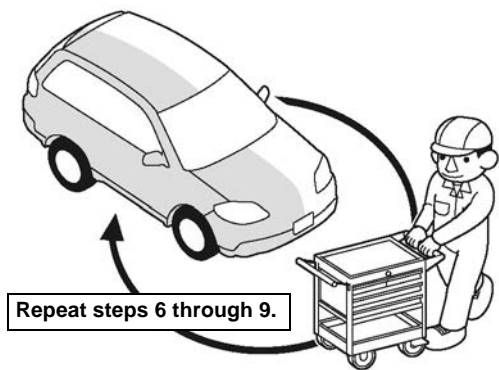
9. Remove the self-tapping screw.



SELF-TAPPING SCREW

QM50404AT

10. Repeat the same procedures on the other side.

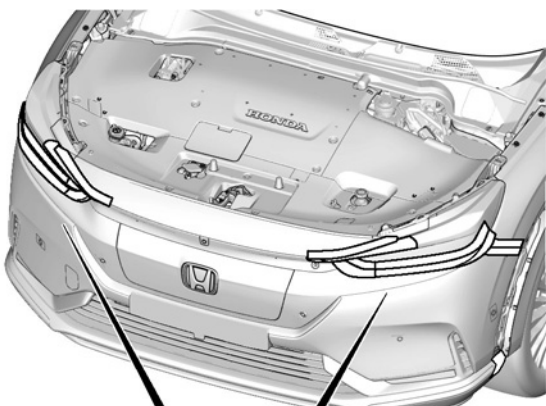
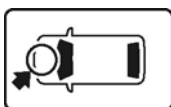


Q9D1014AM

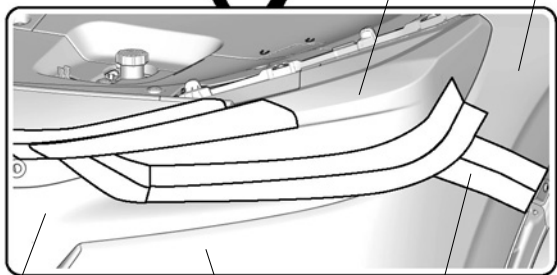
11. Attach the tapes to protect the vehicle.

NOTICE

- Do not remove the tapes until after the reinstallation.



HEADLIGHT FRONT FENDER

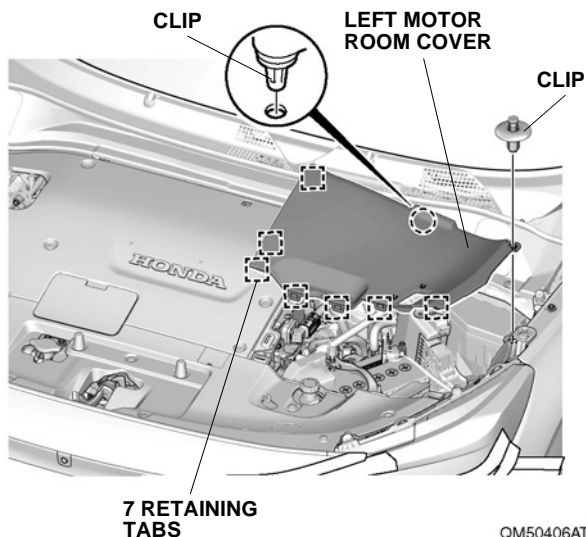


FRONT GRILLE FRONT BUMPER TAPES QM50405AT

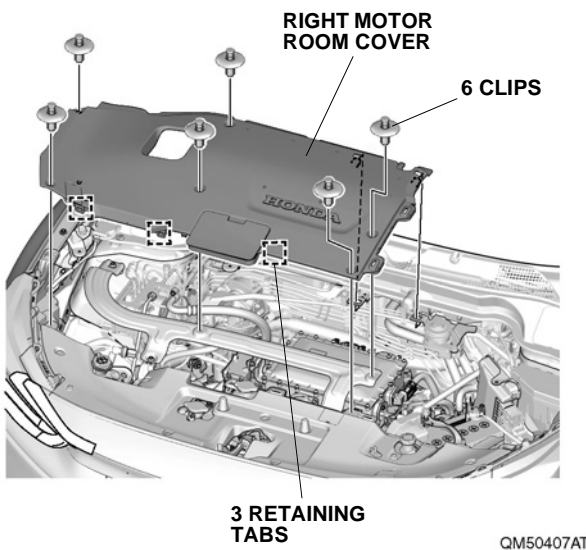
12. Follow the below guidance.

• LHD models	To step 13
• RHD models	To step 15

13. Remove the left motor room cover.

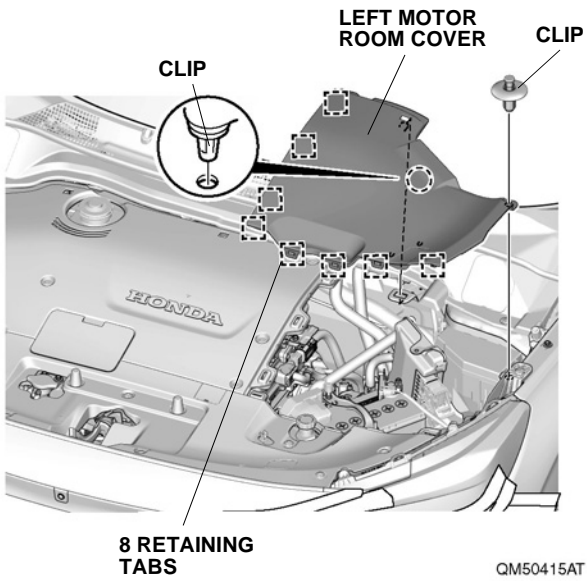


14. Remove the right motor room cover.

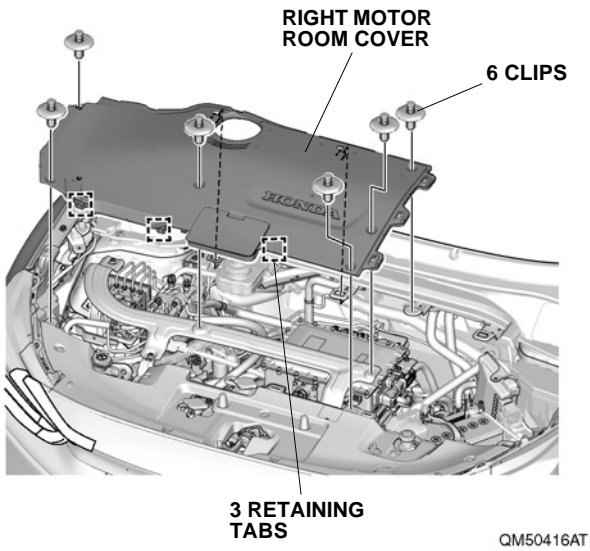


To step 17

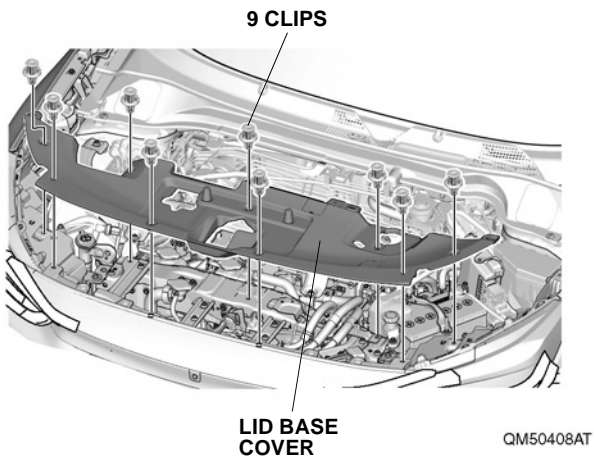
15. Remove the left motor room cover.



16. Remove the right motor room cover.



17. Remove the lid base cover.

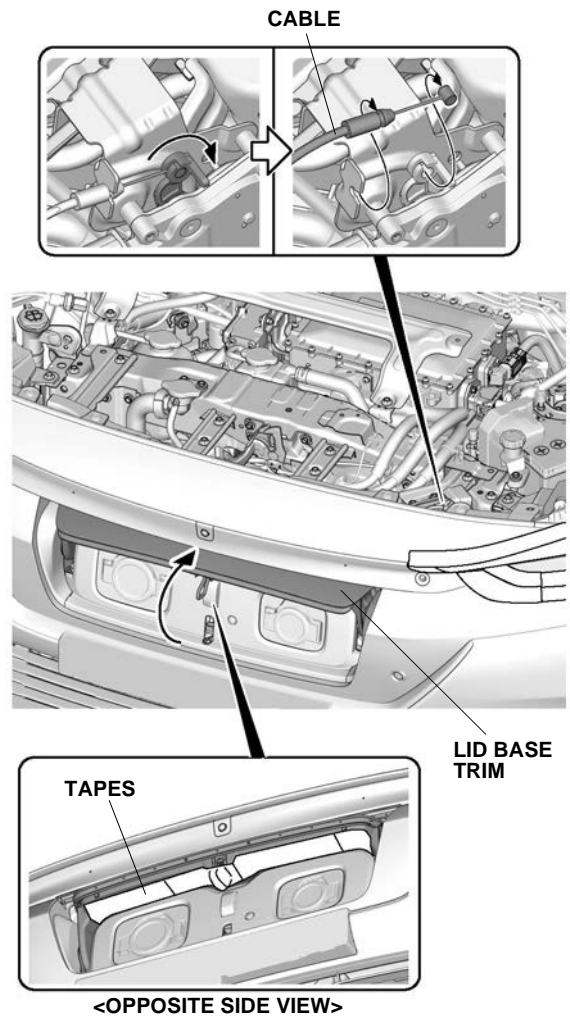


18. Release the cable.

19. Attach the tapes to protect the vehicle.

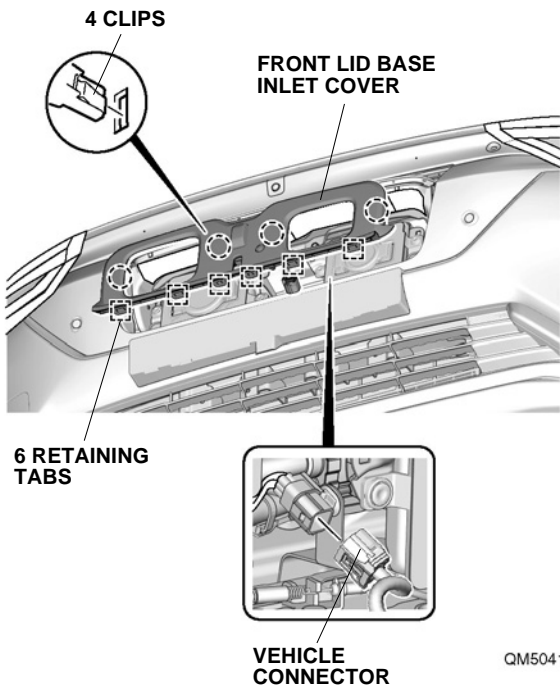
NOTICE

- Do not remove the tapes until after the reinstallation.

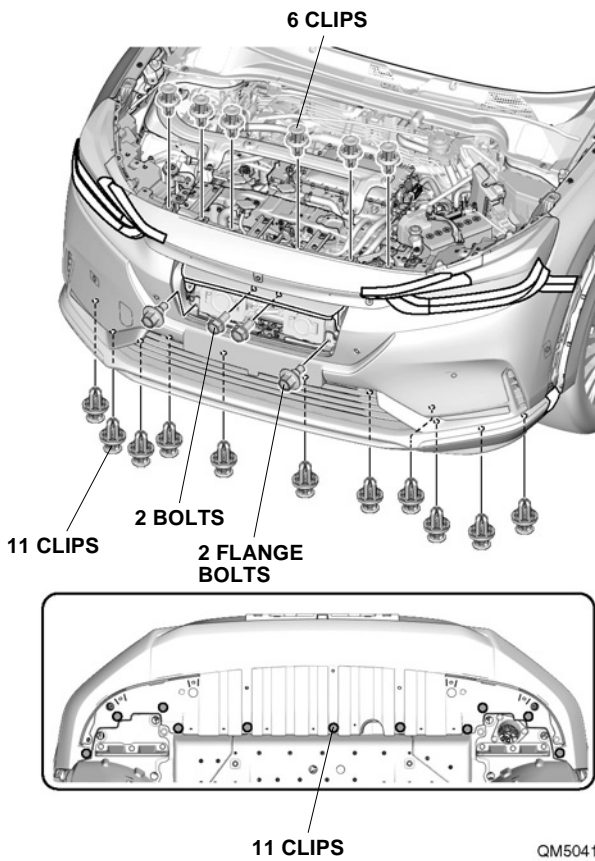


QM50409AT

20. Remove the front lid base inlet cover.

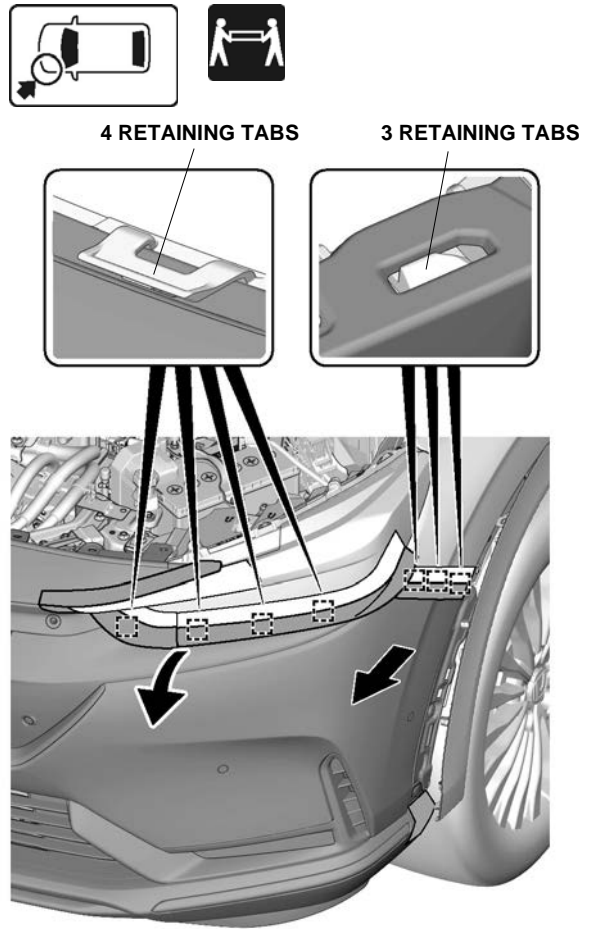


21. Remove the clips and bolts.



22. Release the retaining tabs.

NOTICE
<ul style="list-style-type: none">• Release the retaining tabs in order from outside.• Make sure to release the retaining tabs in the correct orientation.

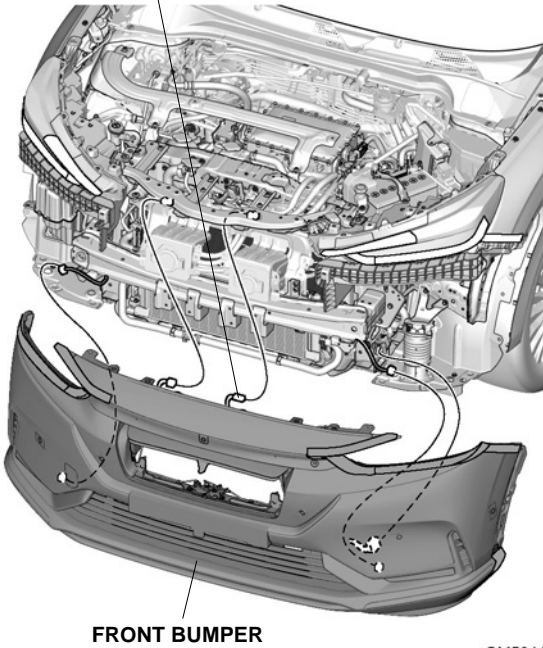


23. Repeat step 22 on the other side.

24. Remove the front bumper.



VEHICLE CONNECTORS
(if equipped)

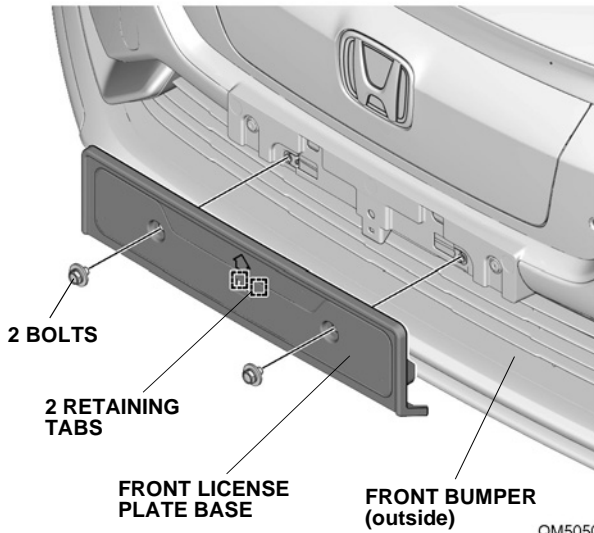


FRONT BUMPER

QM50413AT

Installing the Front Grille

25. Remove the front license plate base.



2 BOLTS

2 RETAINING
TABS

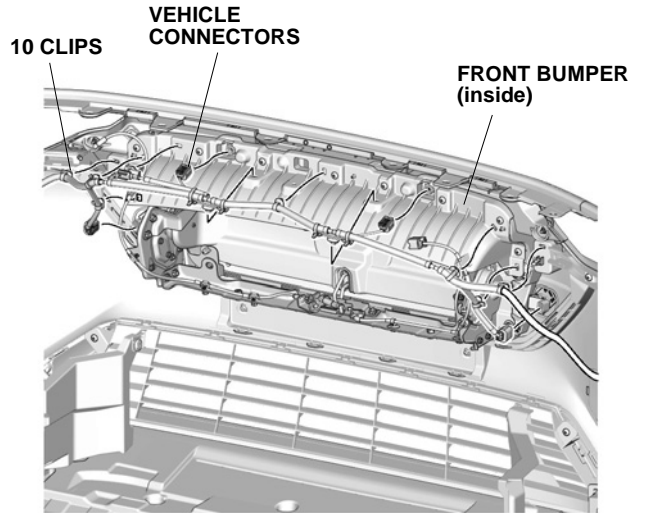
FRONT LICENSE
PLATE BASE

FRONT BUMPER
(outside)

QM50502AT

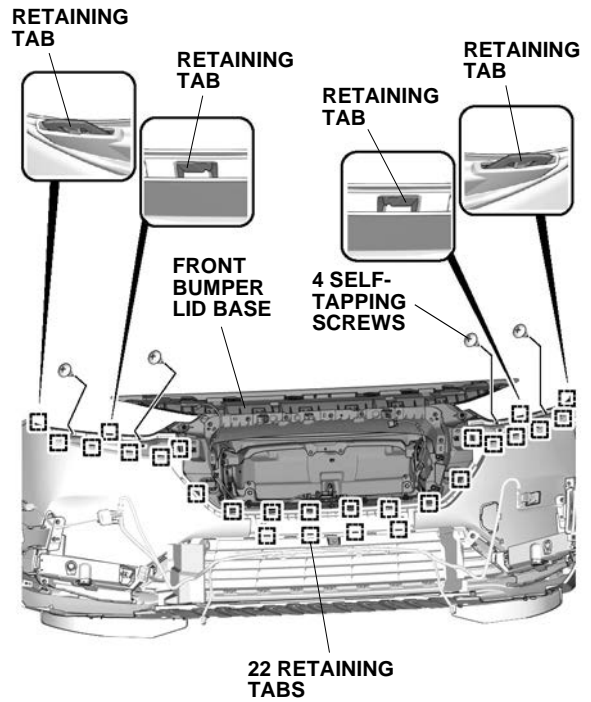
26. Remove the clips.

27. Disconnect the vehicle connector.



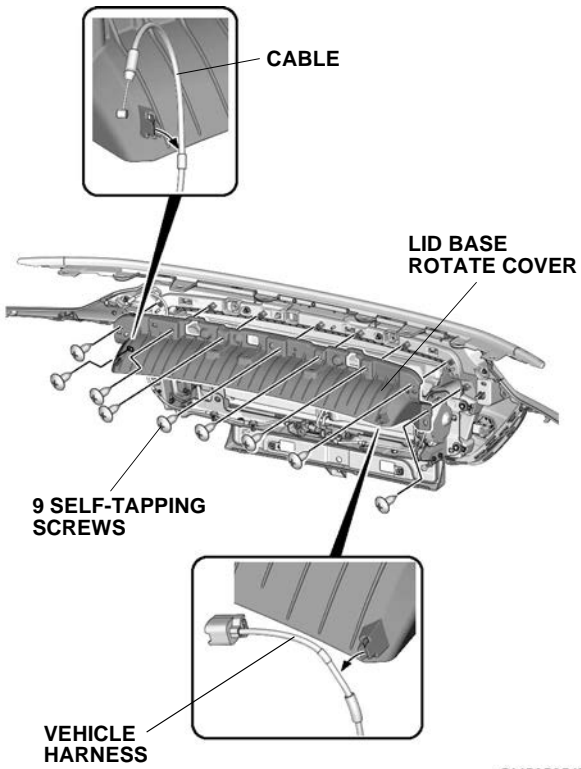
QM50503AT

28. Remove the front bumper lid base.

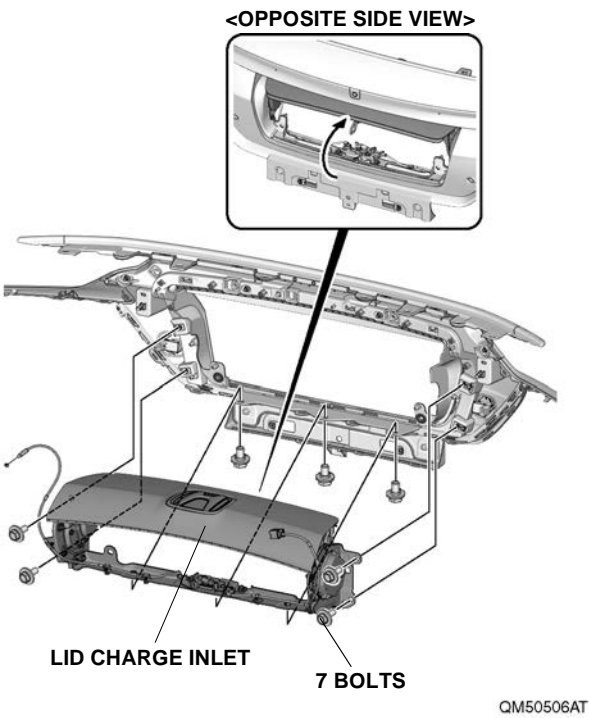


QM50504AT

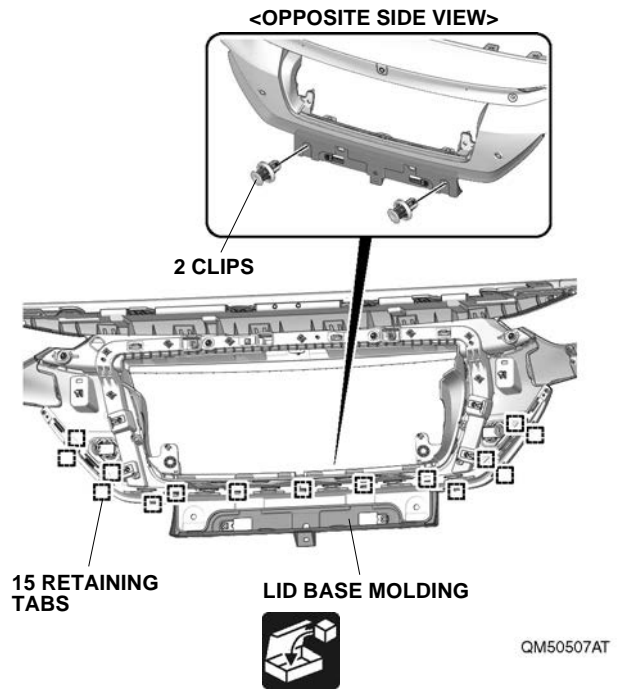
29. Remove the lid base rotate cover.



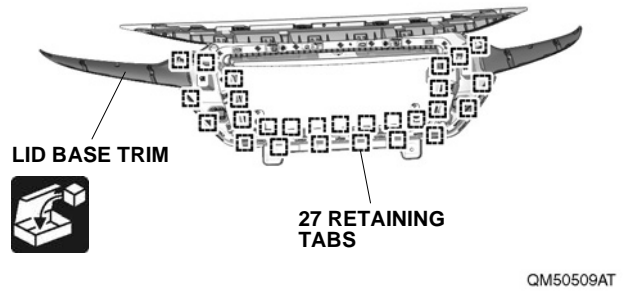
30. Remove the lid charge inlet.



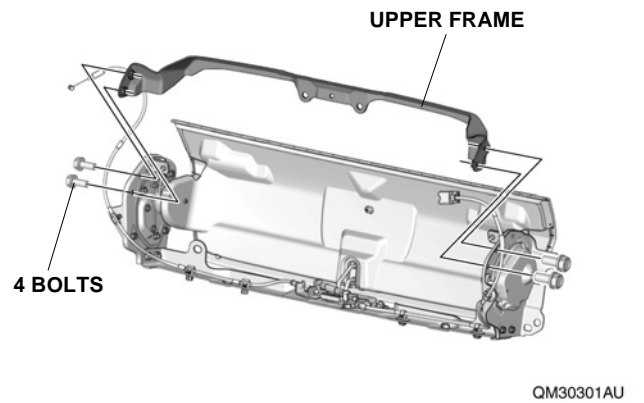
31. Remove the lid base molding.



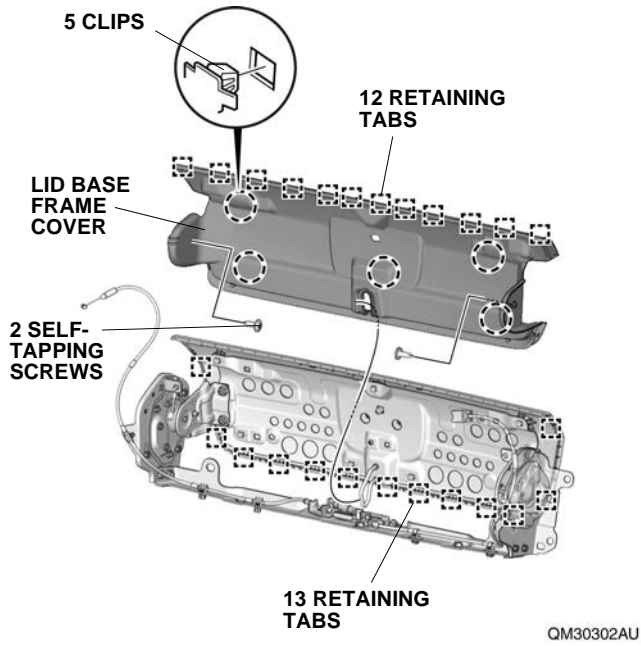
32. Remove the lid base trim.



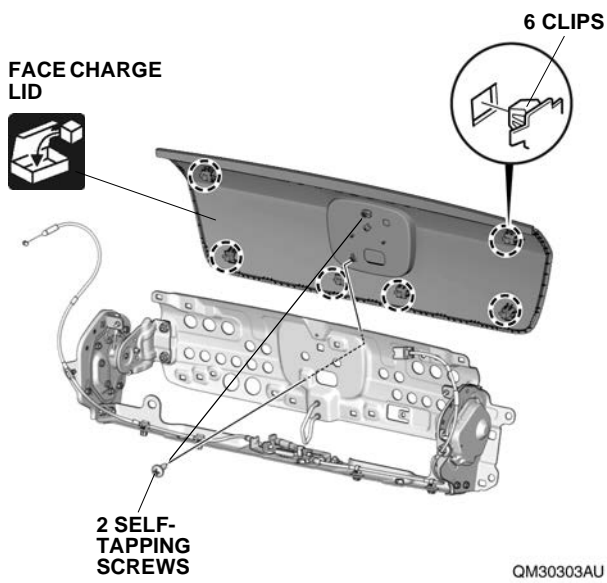
33. Remove the upper frame.



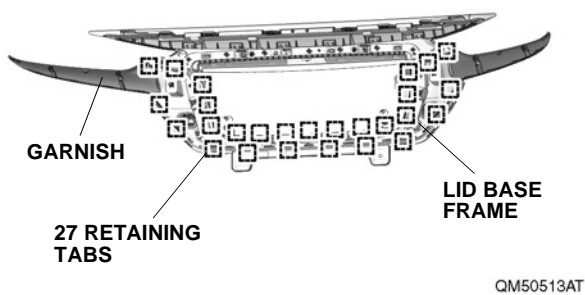
34. Remove the lid base frame cover.



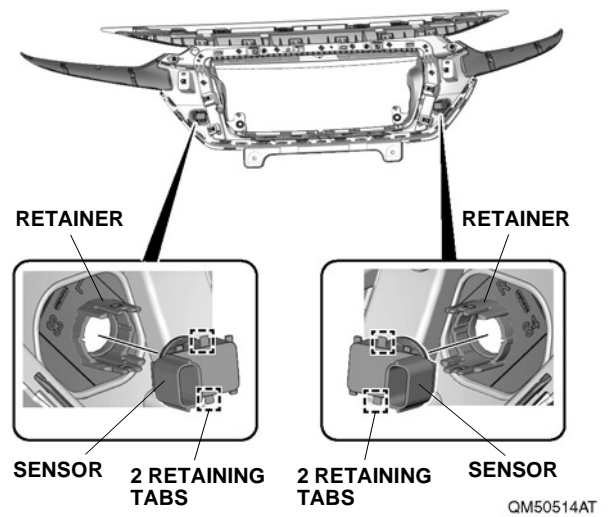
35. Remove the face charge lid.



36. Install the garnish.



37. Install the sensors.

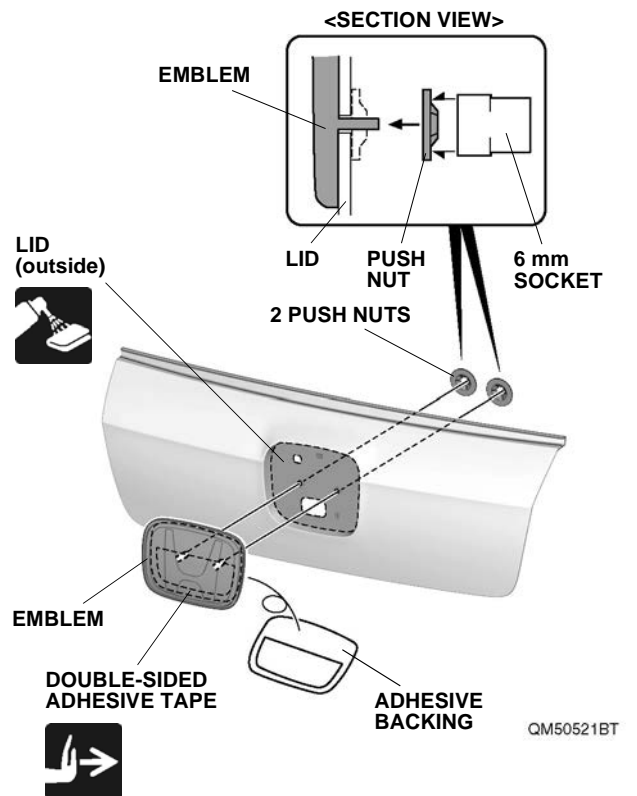


38. Clean the attaching area.

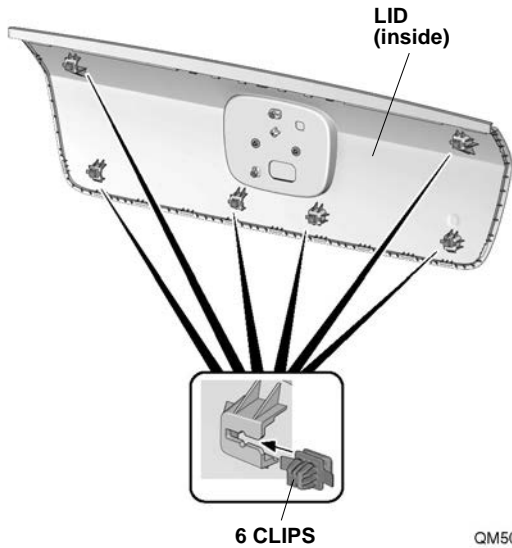
39. Install the emblem.

NOTICE

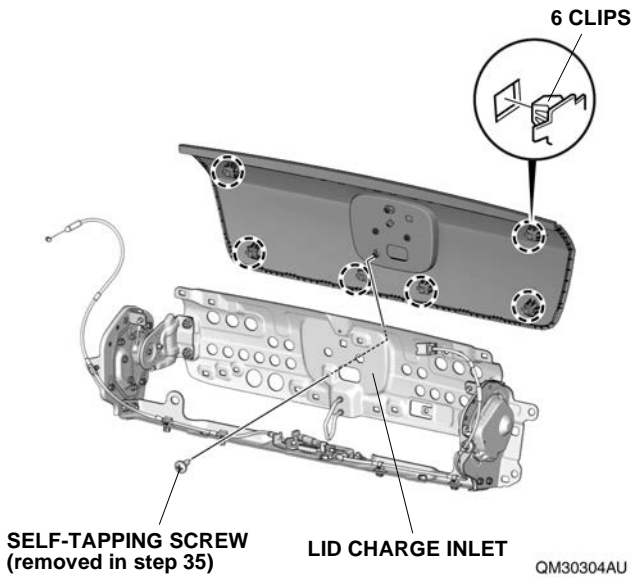
- Check the orientation of the push nuts.
- Check the position of double-sided adhesive tapes and make sure to press firmly.



40. Install the clips.



41. Install the lid.

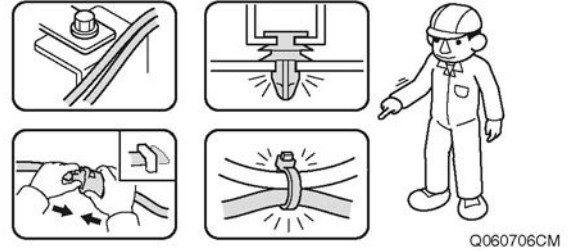


Check After Installation

42. Check that all parts are routed and installed properly.

NOTICE

- Check that the harnesses are not pushed, not pulled and not pinched.
- Check that all clamps and wire ties are installed securely.

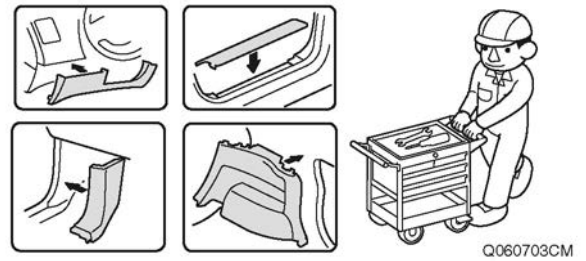


Reinstalling the All Removed Parts

43. Reinstall all removed parts.

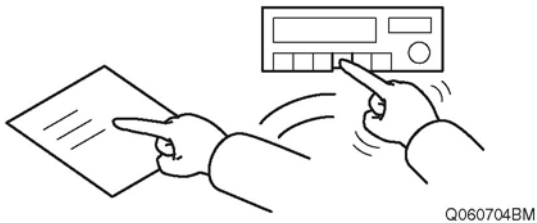
NOTICE

- Be extremely careful not to damage the vehicle parts, pinch the harnesses.
- Make sure to secure the retaining tabs and clips properly to avoid separation.



Vehicle Check

44. Reconnect the negative cable to the battery.
45. Check that the electric accessories and systems operate properly.
46. Press and hold the audio power button for two seconds, or enter anti-theft code for the audio/navigation system.
47. Reset the memory of each equipment and restore the positions of those control knobs.



<Check/Restoration and Learning Operations>

48. Aim the front camera.
(equipped with Multiple view camera system)
49. Check the image of the Multiple view camera.
(equipped with Multiple view camera system)

NOTICE
• Refer to the Shop Manual.