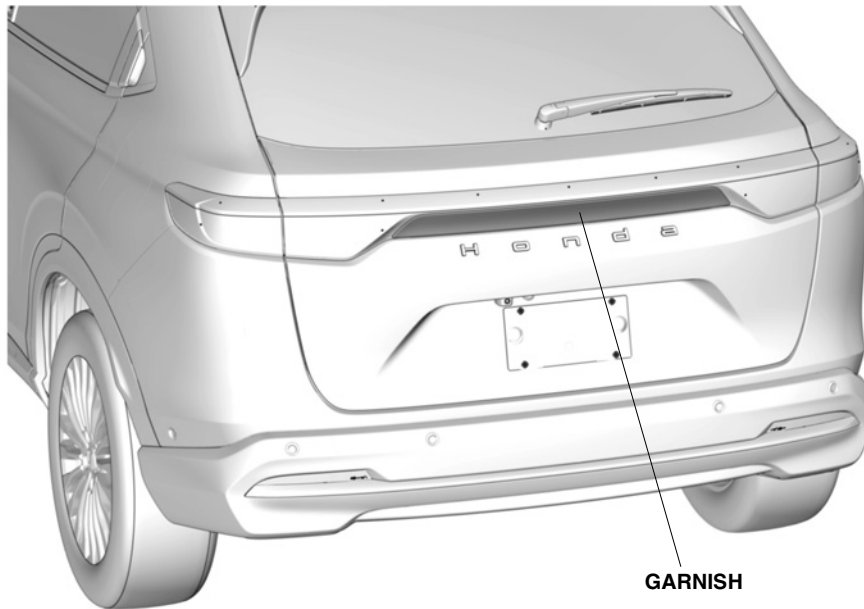


REAR COMBI GARNISH

*e:Ny1***GENERAL VIEW**

GARNISH

QM60101AU

**FOR YOUR SAFETY (Read carefully)****Introduction of Symbol Messages**

- These symbols warn you about the possible hazards and explain how to avoid them. And give you some advices.

**⚠ DANGER**

You will be killed or seriously hurt if you do not follow the instructions.

**⚠ WARNING**

You can be killed or seriously hurt if you do not follow the instructions.

**⚠ CAUTION**

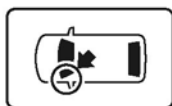
You can be hurt if you do not follow the instructions.

**NOTICE**Gives advice to prevent damage to the product.  
Gives helpful information or instructions to be followed in using the product.

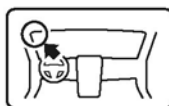
Indicates prohibited actions.

## Introduction of Icons

- These icons indicate the working place and the worker's vision.



The place for the vehicle.



The place for the instrument panel.

- These icons indicate the necessary things for your safety and the work.



Wear eye protection.



Wear heavy gloves.



Work with an assistant.



Place the part on a blanket.



Remove any burrs.



Use the touch-up paint and dry.



Keep the parts and give it to the customer.  
(Not use)



Press firmly.



Tighten by specified torque.



Work perpendicularly.



Clean with the contact cleaner.

## Safety: General

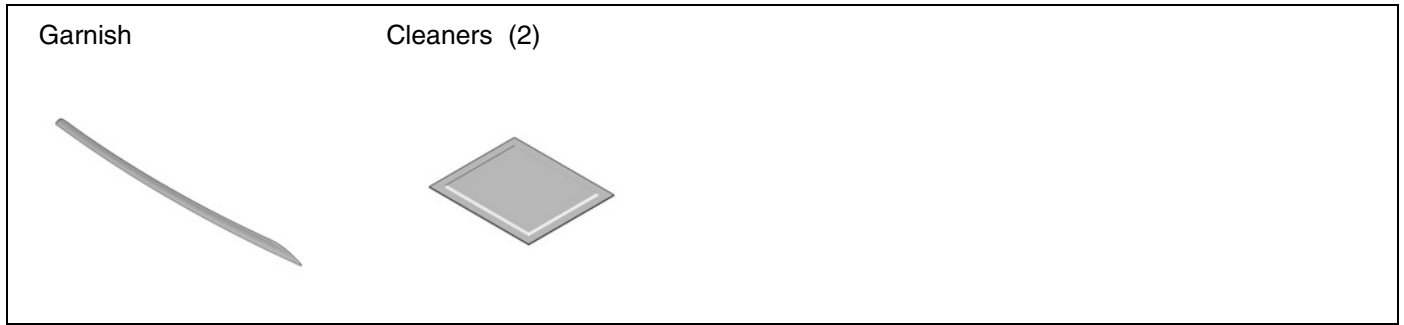
- Be careful not to damage the vehicle and the parts.
- The illustrations may differ a little from the actual accessories for the design change of the vehicle.

## Safety: For the Accessory

- **Do not perform installation work and attaching work at the place where gets the direct rays of the sun or the dust appears.**
- **Always install these accessories at the ambient air temperature 15°C (60°F) or above.**
- **Heat the accessories and bonding surfaces if the ambient air temperature is below 15°C (60°F).**
- **Attach the accessories by pressing it firmly with the palm of your hand. Be careful not to damage the accessories and the vehicle parts.**
- **Carefully place the double-sided adhesive tape on the proper position. Once the double-sided adhesive tape touches the surface, do not try to detach and relocate it. If you attempt to move after it touches the surface, you will damage the part before the adhesive will give way.**
- **Not to wash the vehicle for 24 hours to allow the adhesive to cure.**

# PARTS LIST

## Garnish Kit



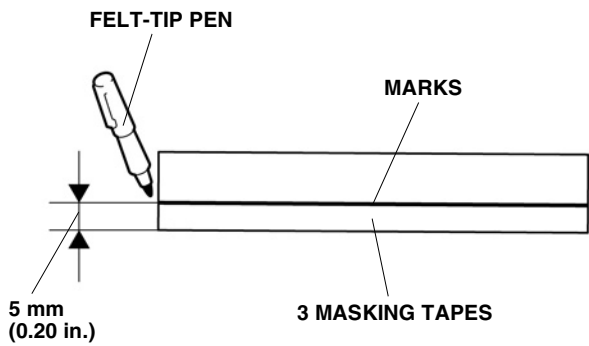
## TOOLS AND SUPPLIES REQUIRED

- Masking tape
- Ruler
- Felt-tip pen

# INSTALLATION

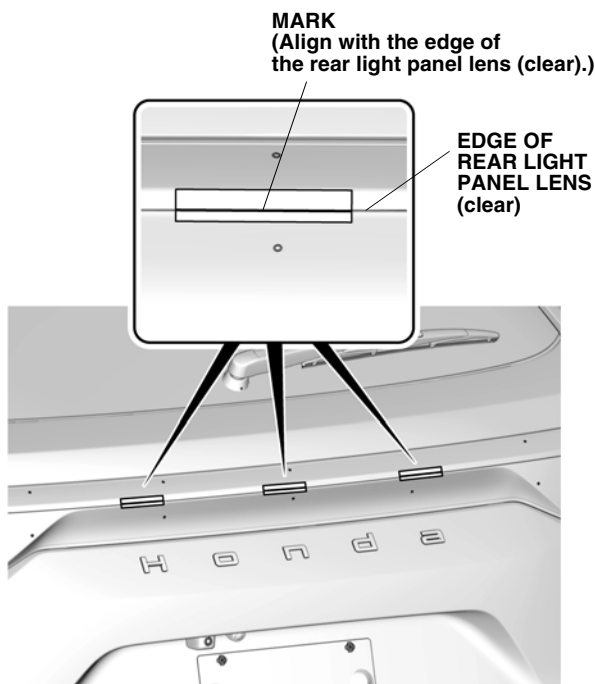
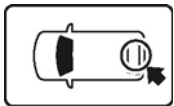
## Installing the Garnish

1. Mark the masking tapes.



QM60102AU

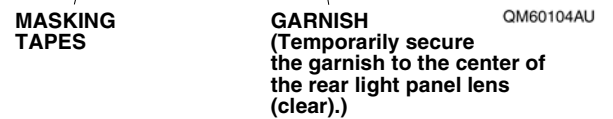
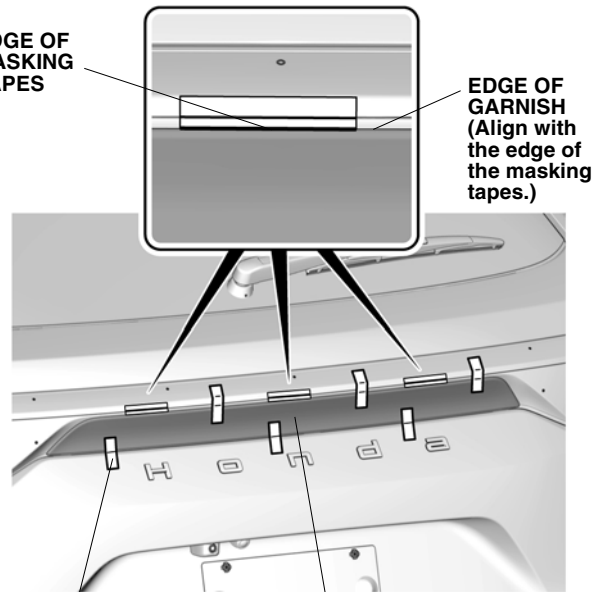
2. Attach the masking tapes.



QM60103BU

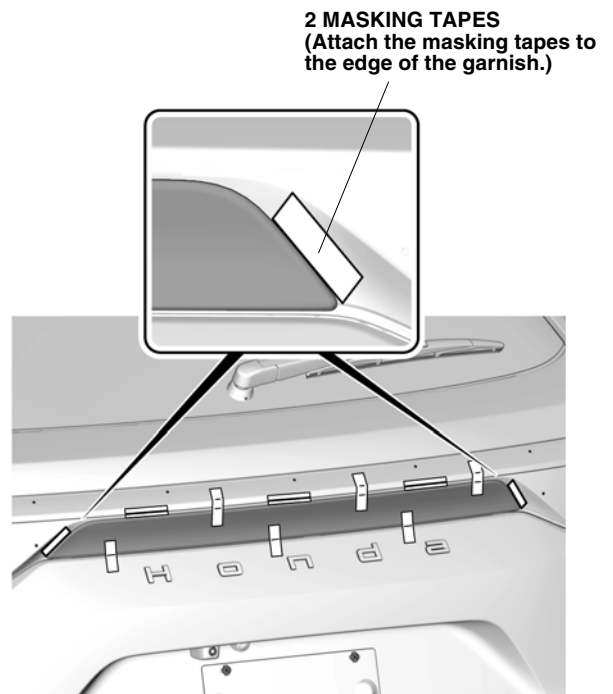
3. Temporarily secure the garnish.

<b>NOTICE</b>
<ul style="list-style-type: none"> <li>Check that the garnish is temporarily secured in the center of the rear light panel lens (clear).</li> </ul>



QM60104AU

4. Attach the masking tapes.



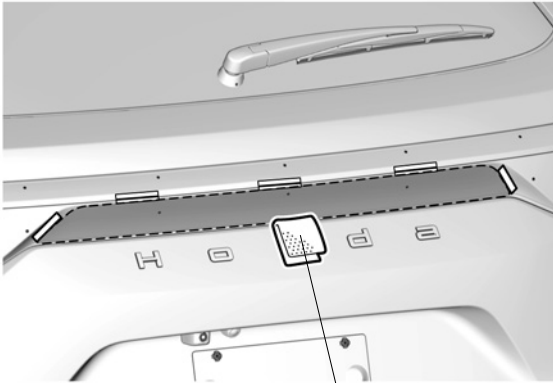
QM60105AU

5. Remove the garnish.

6. Clean the attaching area.

**NOTICE**

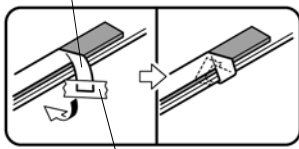
- Allow to dry thoroughly.



CLEANER QM60106BU

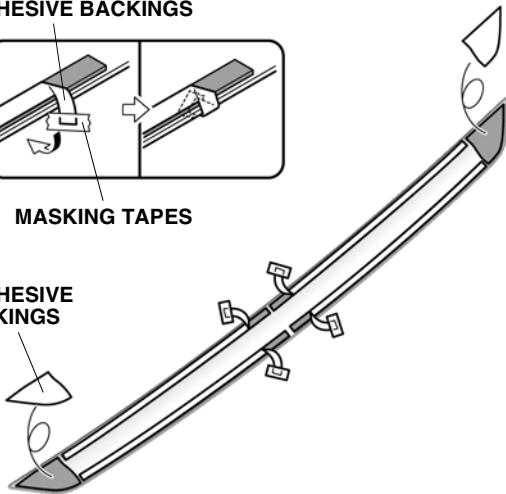
7. Temporarily attach the adhesive backings.  
 8. Remove the adhesive backings.

4 ADHESIVE BACKINGS



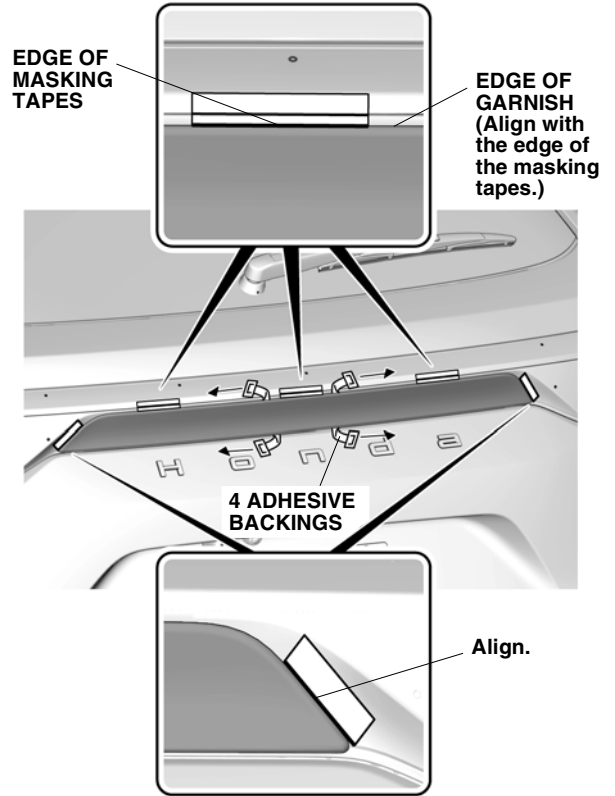
MASKING TAPES

2 ADHESIVE BACKINGS



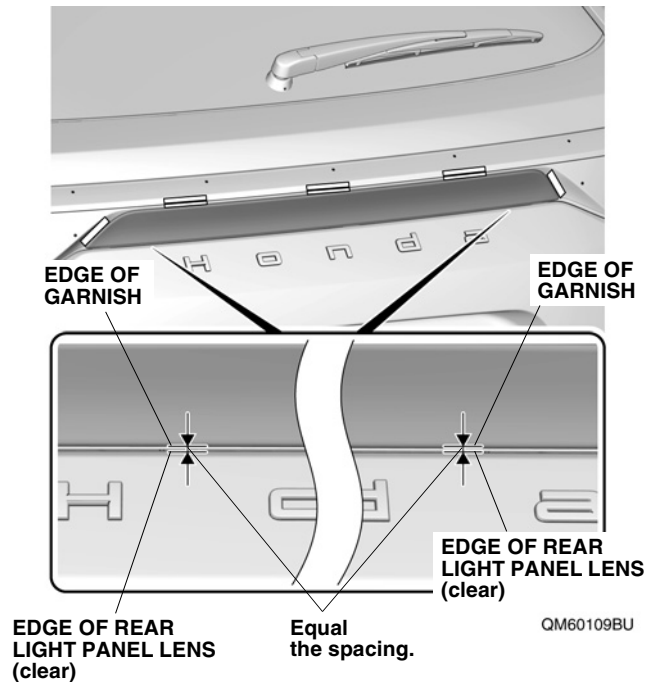
QM60107AU

9. Temporarily secure the garnish.



QM60108AU

10. Align the garnish.

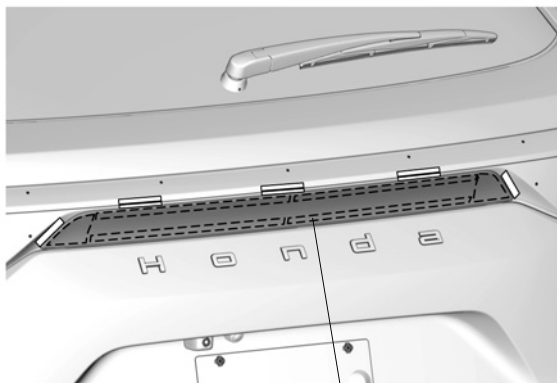


QM60109BU

11. Secure the garnish.

### NOTICE

- Check the position of the double-sided adhesive tapes and press to the extent that the vehicle body rock (49 N (5 kgf) or more).



**6 DOUBLE-SIDED  
ADHESIVE TAPES**

QM60110AU



12. Remove the masking tapes.
13. Check that all parts are installed properly.  
(End of installation)