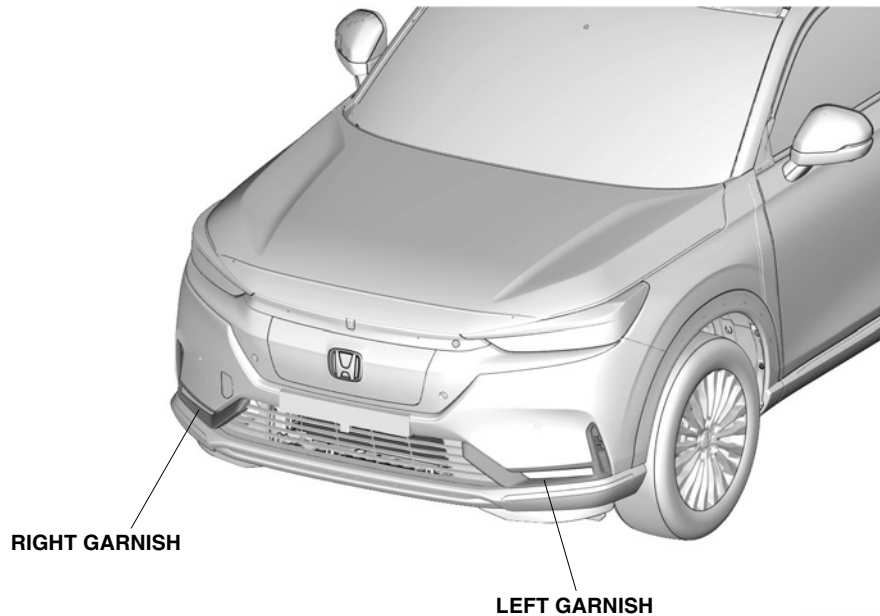


**FOG LIGHT GARNISHES***e:Ny1***GENERAL VIEW****FOR YOUR SAFETY (Read carefully)****Introduction of Symbol Messages**

- These symbols warn you about the possible hazards and explain how to avoid them. And give you some advices.

**⚠ DANGER**

You will be killed or seriously hurt if you do not follow the instructions.

**⚠ WARNING**

You can be killed or seriously hurt if you do not follow the instructions.

**⚠ CAUTION**

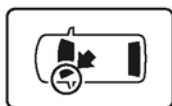
You can be hurt if you do not follow the instructions.

**NOTICE**Gives advice to prevent damage to the product.  
Gives helpful information or instructions to be followed in using the product.

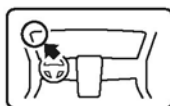
Indicates prohibited actions.

## Introduction of Icons

- These icons indicate the working place and the worker's vision.



The place for the vehicle.



The place for the instrument panel.

- These icons indicate the necessary things for your safety and the work.



Wear eye protection.



Wear heavy gloves.



Work with an assistant.



Place the part on a blanket.



Remove any burrs.



Use the touch-up paint and dry.



Keep the parts and give it to the customer.  
(Not use)



Press firmly.



Tighten by specified torque.

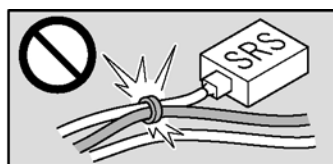


Work perpendicularly.



Clean with the contact cleaner.

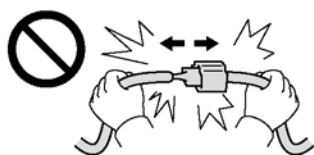
## Wire Harness Routing Precaution



Do not clamp the accessory harness and SRS harness together. (except for instruction cases).



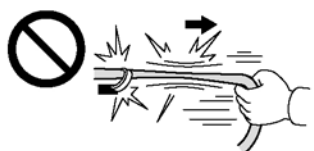
Connect the connectors and terminals securely until they lock.



Do not pull the harness to disconnect the connectors.



Reinstall the connectors to the original positions if they are removed.



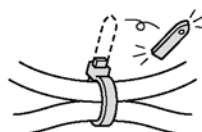
Do not pull the harness strongly.



Secure the accessory harness to the specified position, not to hang down.



Do not pinch the harness with the parts.



Cut off the excess of the wire ties.

## Safety: General

- Observe all safety notes and precautions described in the Shop Manual in addition to those described in this Installation Instructions. Be extremely careful for your safety and safety of others particularly.
- Be careful not to damage the vehicle and the parts.
- Be extremely careful to the handling of the retaining tabs and clips particularly.
- Note the locations of the parts before removing them so that they can be reinstalled in their original positions properly.
- The illustrations may differ a little from the actual accessories for the design change of the vehicle.

## Safety: For Electric Parts

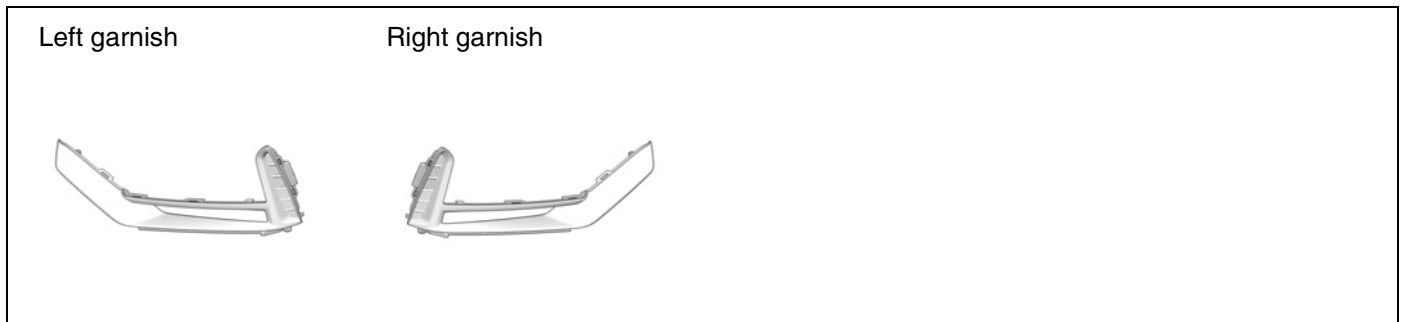
- Do not perform the installation of the accessories with having connected negative cable of the battery.

## Safety: For the Accessory

- **Always use the parts and tools specified in the installation instructions.**

## PARTS LIST

### Fog Light Garnishes Kit



## TOOLS AND SUPPLIES REQUIRED

- |                        |                         |                 |
|------------------------|-------------------------|-----------------|
| • Phillips screwdriver | • 10 mm Open end wrench | • Handy remover |
| • Tape                 | • Blanket               | • 10 mm Socket  |
| • Ratchet              |                         |                 |

# INSTALLATION

## Disconnecting the Battery Cable

1. Perform the works before disconnecting the negative cable from the battery as shown below.
2. Make sure if you have the anti-theft code for the audio/navigation system. Record some settings of the vehicle if necessary.
3. Turn the power switch to ON.
4. Turn the power switch to OFF.

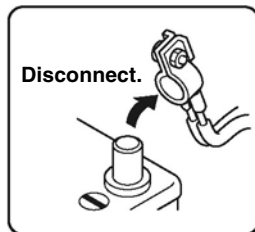
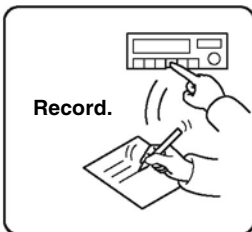
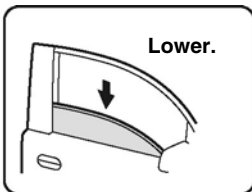
### NOTICE

- Make sure that the indicator of power switch is lighted out.

5. Disconnect the negative cable from the battery.

### NOTICE

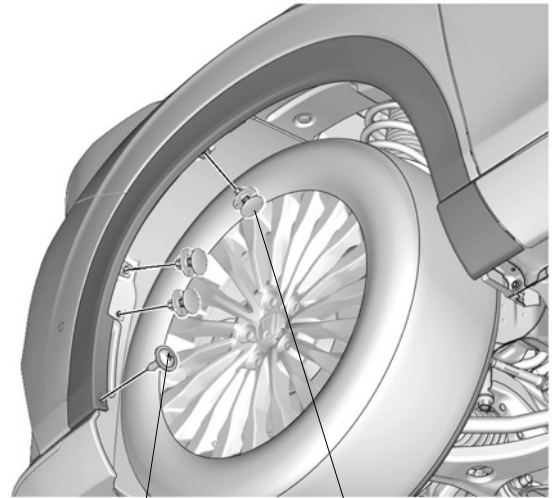
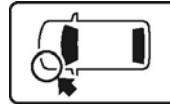
- With the driver's door open, turn the vehicle to the OFF (LOCK) mode, then wait at least 3 minutes before disconnecting the 12 volt negative battery cable.



QCD0502BM

## Removing the Vehicle Parts

6. Remove the clips and self-tapping screw.



SELF-TAPPING SCREW

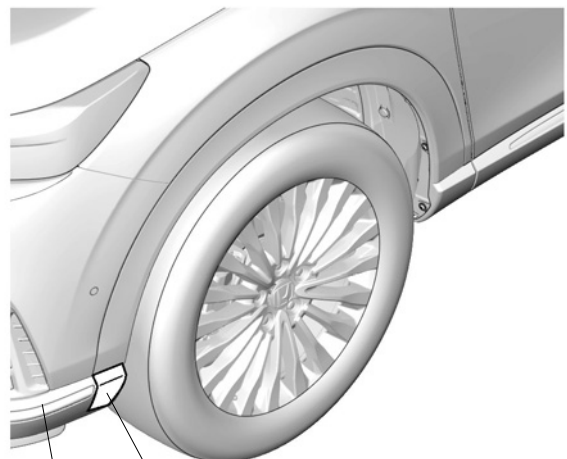
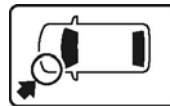
3 CLIPS

QM50401AT

7. Attach the tapes to protect the vehicle.

### NOTICE

- Do not remove the tapes until after the reinstallation.

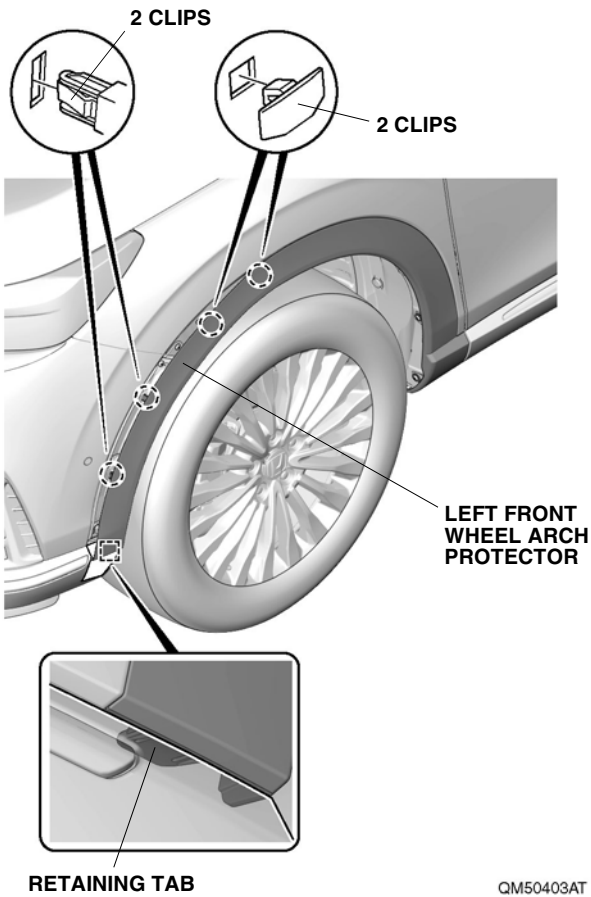


FRONT BUMPER

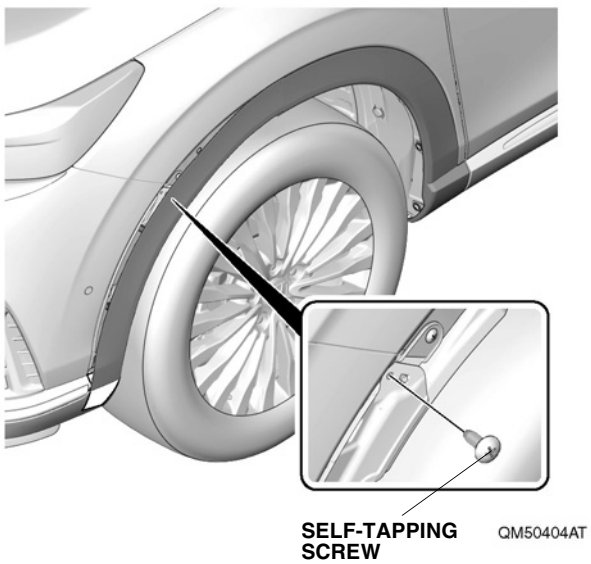
TAPES

QM50402AT

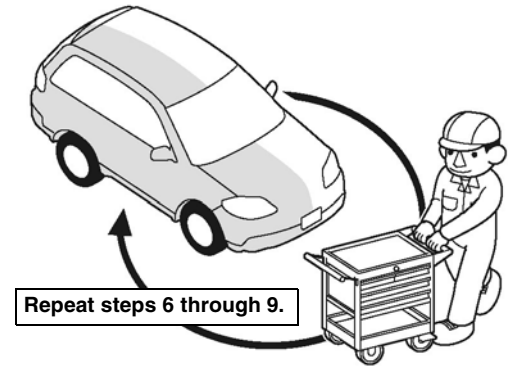
8. Release the left front wheel arch protector.



9. Remove the self-tapping screw.



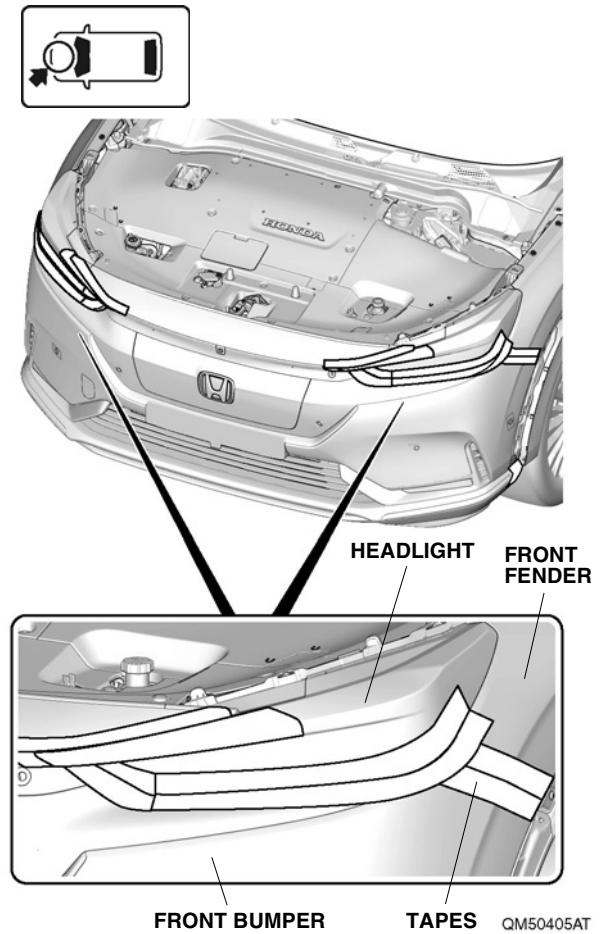
10. Repeat the same procedures on the other side.



11. Attach the tapes to protect the vehicle.

**NOTICE**

- Do not remove the tapes until after the reinstallation.



12. Follow the below guidance.

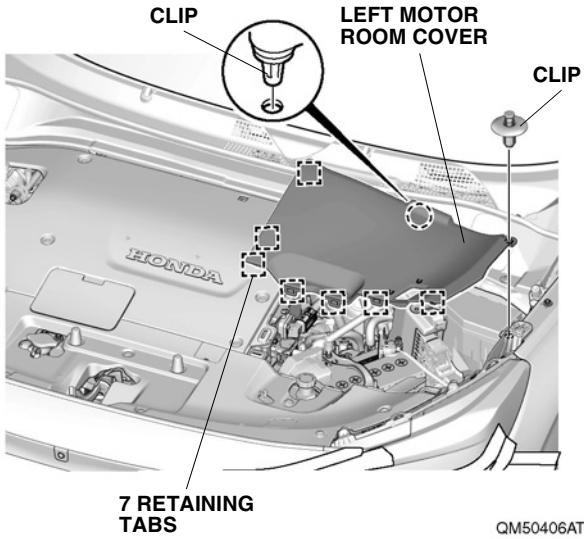
• LHD models

To step 13

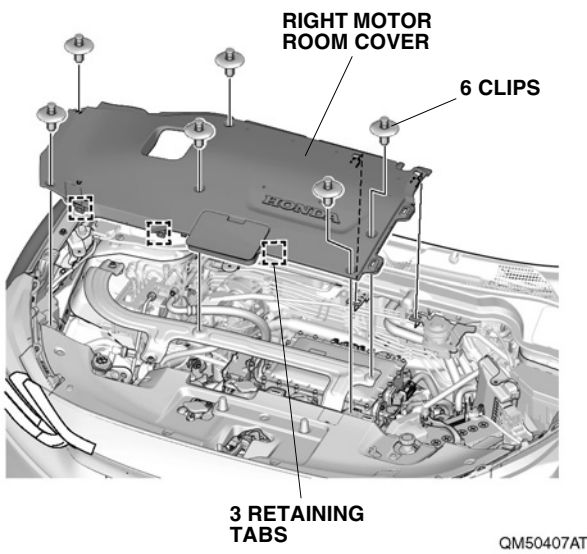
• RHD models

To step 15

13. Remove the left motor room cover.

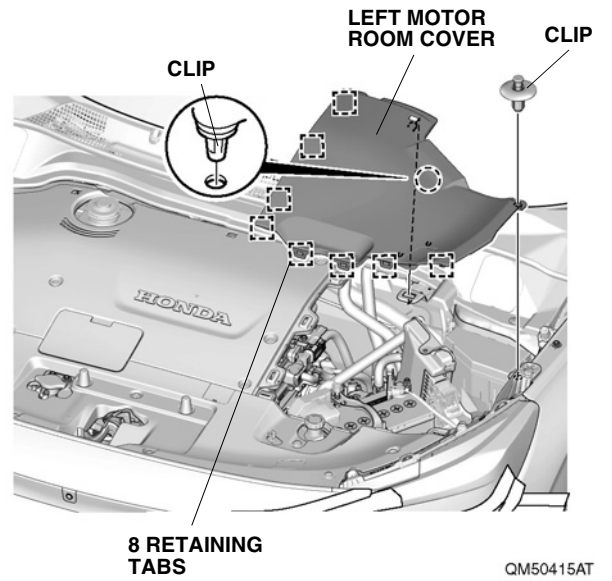


14. Remove the right motor room cover.

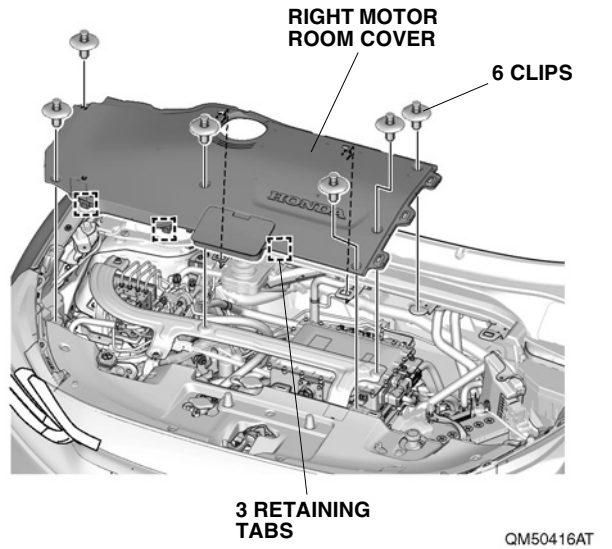


To step 17

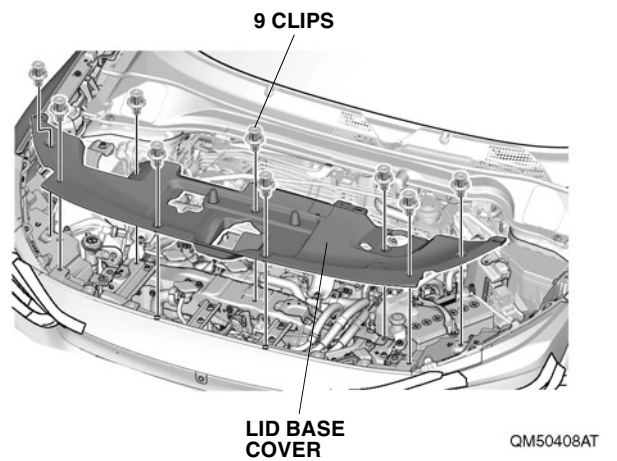
15. Remove the left motor room cover.



16. Remove the right motor room cover.



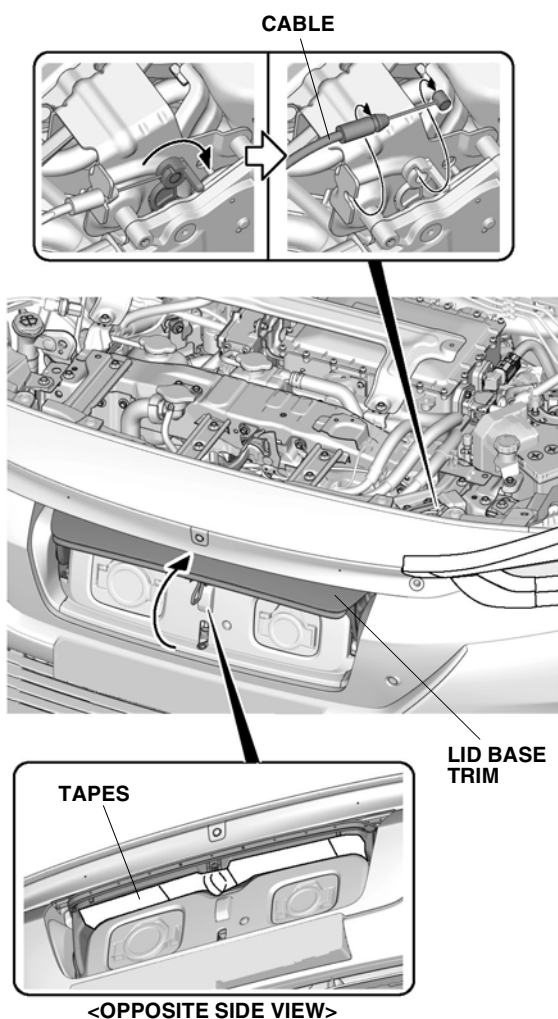
17. Remove the lid base cover.



- 18. Release the cable.
- 19. Attach the tapes to protect the vehicle.

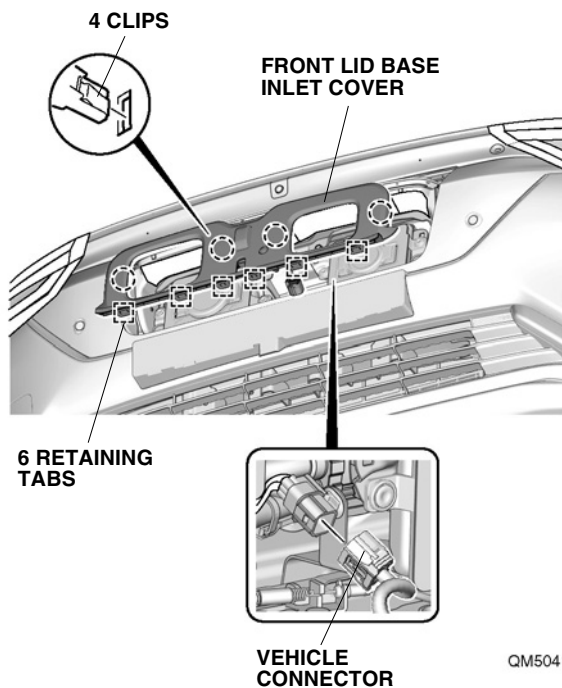
**NOTICE**

- Do not remove the tapes until after the reinstallation.



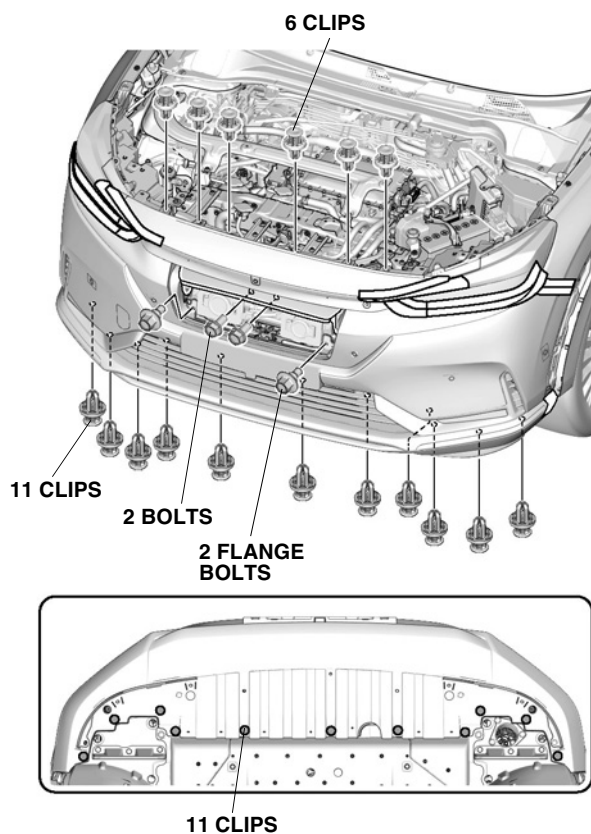
QM50409AT

- 20. Remove the front lid base inlet cover.



QM50410AT

- 21. Remove the clips, and bolts.

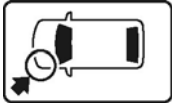


QM50411BT

22. Release the retaining tabs.

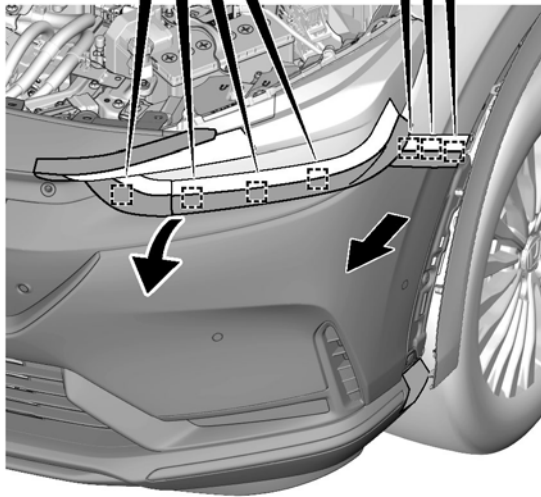
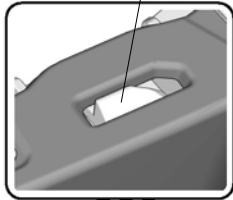
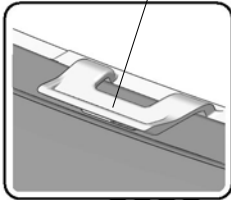
**NOTICE**

- Release the retaining tabs in order from outside.
- Make sure to release the retaining tabs in the correct orientation.



4 RETAINING TABS

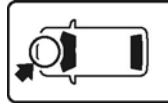
3 RETAINING TABS



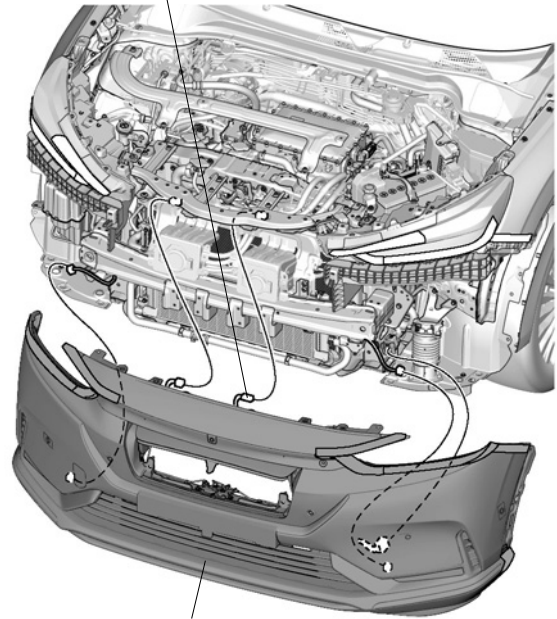
QM50412AT

23. Repeat step 22 on the other side.

24. Remove the front bumper.



VEHICLE CONNECTORS  
(if equipped)

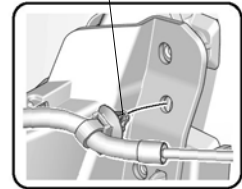


QM50413AT

**Installing the Garnishes**

25. Remove the front bumper left side duct.

VEHICLE CLIP



FRONT BUMPER  
(inside)

CLIP

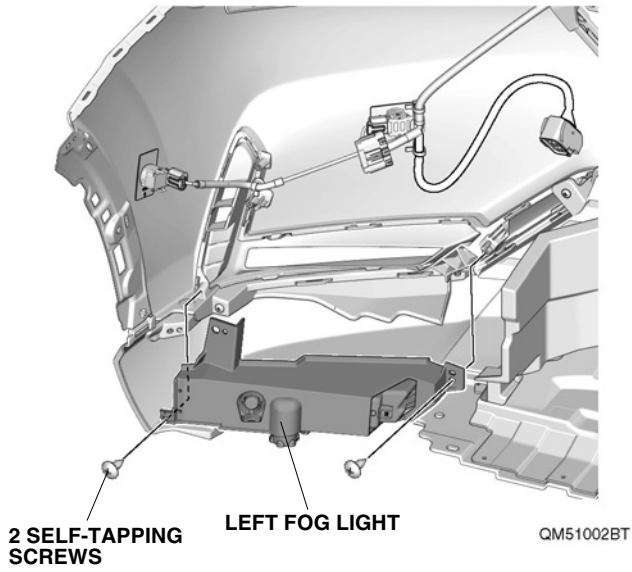
FRONT BUMPER  
LEFT SIDE DUCT

2 SELF-TAPPING  
SCREWS

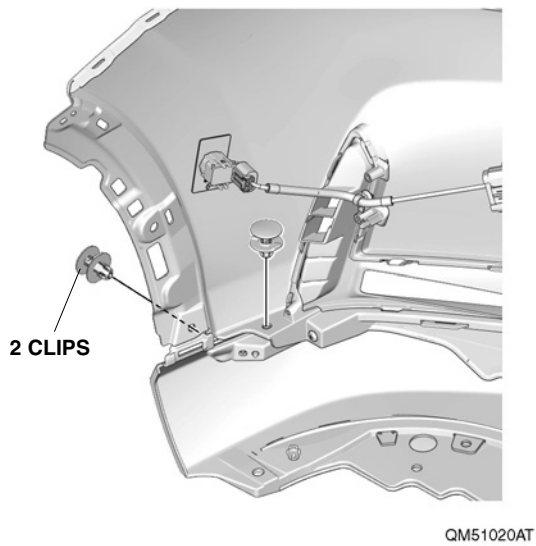
QM51010AT



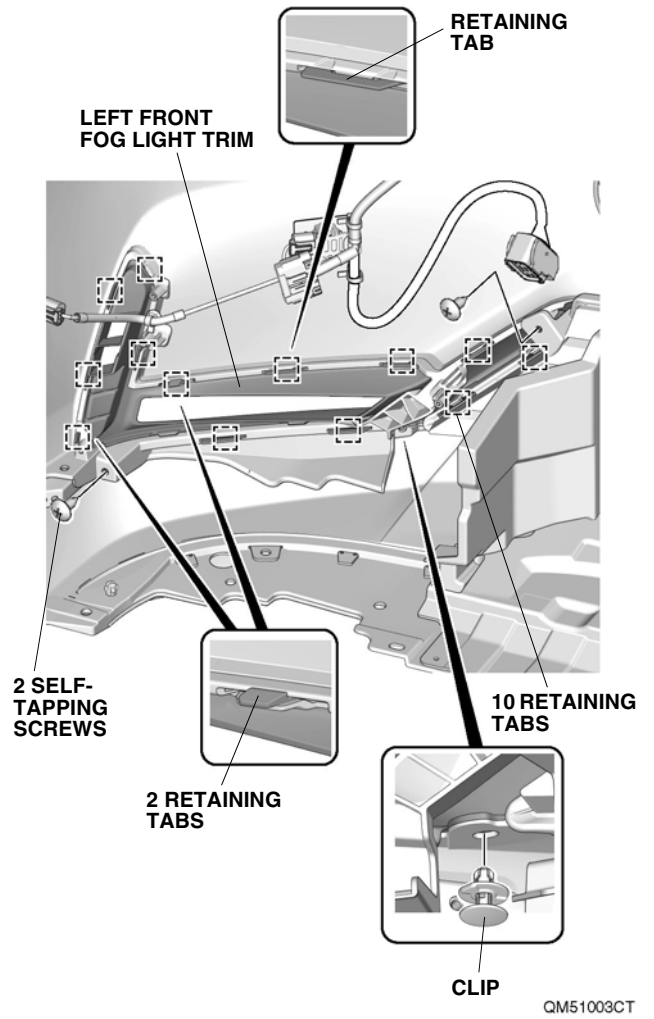
26. Remove the left fog light.



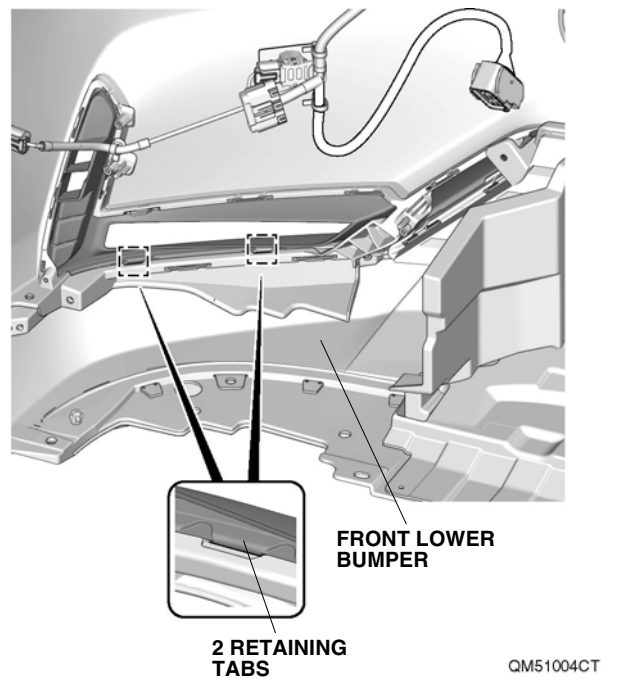
27. Remove the clips.



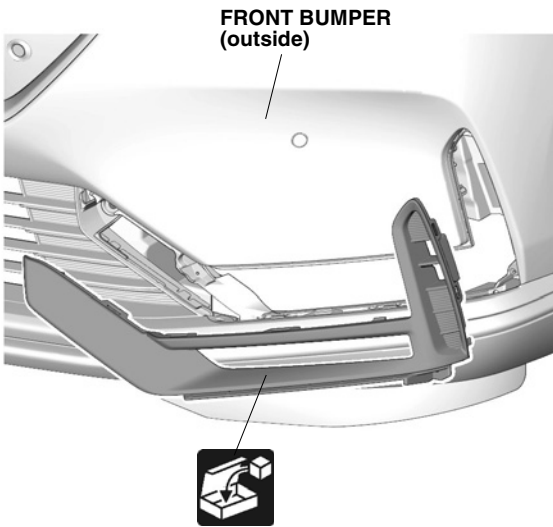
28. Release the left front fog light trim.



29. Release the front lower bumper.

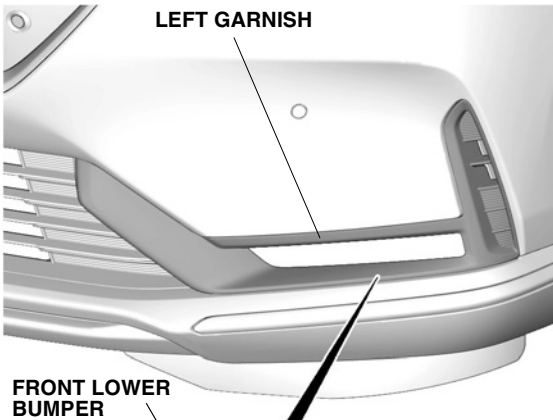


30. Remove the left front fog light trim.



QM51005AT

31. Install the left garnish.



FRONT LOWER BUMPER

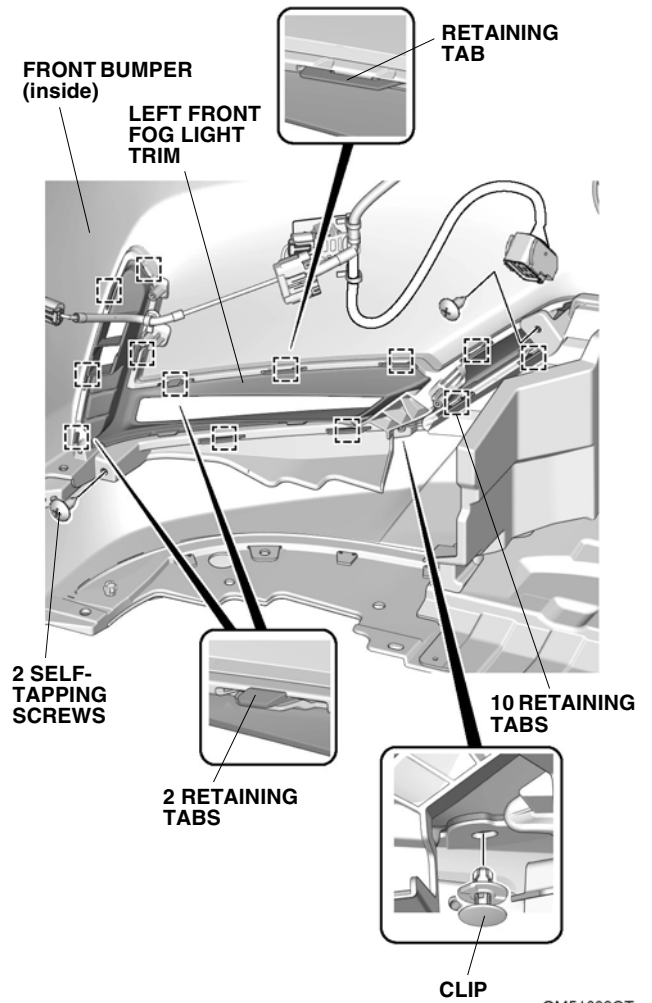
LEFT GARNISH

2 RETAINING TABS

<OPPOSITE SIDE VIEW>

QM51006BT

32. Install the left garnish.



FRONT BUMPER (inside)

LEFT FRONT FOG LIGHT TRIM

RETAINING TAB

2 SELF-TAPPING SCREWS

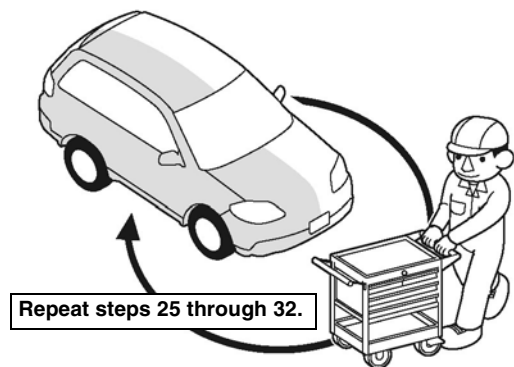
2 RETAINING TABS

10 RETAINING TABS

CLIP

QM51003CT

33. Repeat the same procedures on the other side.



Repeat steps 25 through 32.

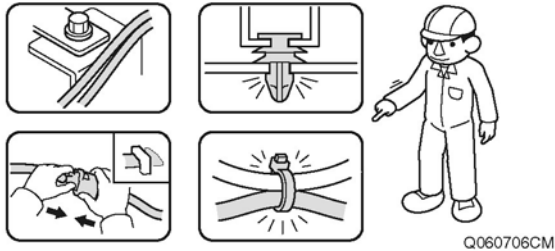
Q9D1014AM

## Check After Installation

34. Check that all parts are routed and installed properly.

### NOTICE

- Check that the harnesses are not pushed, not pulled and not pinched.
- Check that all clamps and wire ties are installed securely.

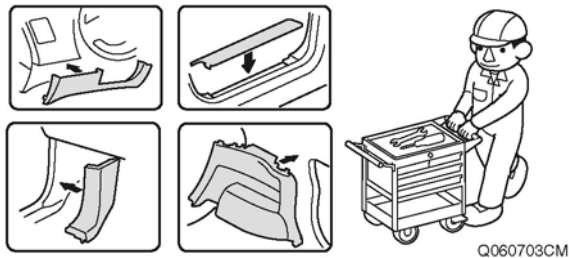


## Reinstalling the All Removed Parts

35. Reinstall all removed parts.

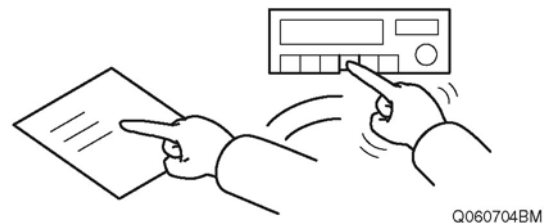
### NOTICE

- Be extremely careful not to damage the vehicle parts, pinch the harnesses.
- Make sure to secure the retaining tabs and clips properly to avoid separation.



## Vehicle Check

36. Reconnect the negative cable to the battery.
37. Check that the electric accessories and systems operate properly.
38. Press and hold the audio power button for two seconds, or enter anti-theft code for the audio/navigation system.
39. Reset the memory of each equipment and restore the positions of those control knobs.



### <Check/Restoration and Learning Operations>

40. Aim the front camera.  
(equipped with Multiple view camera system)
41. Check the image of the Multiple view camera.  
(equipped with Multiple view camera system)

### NOTICE

- Refer to the Shop Manual.