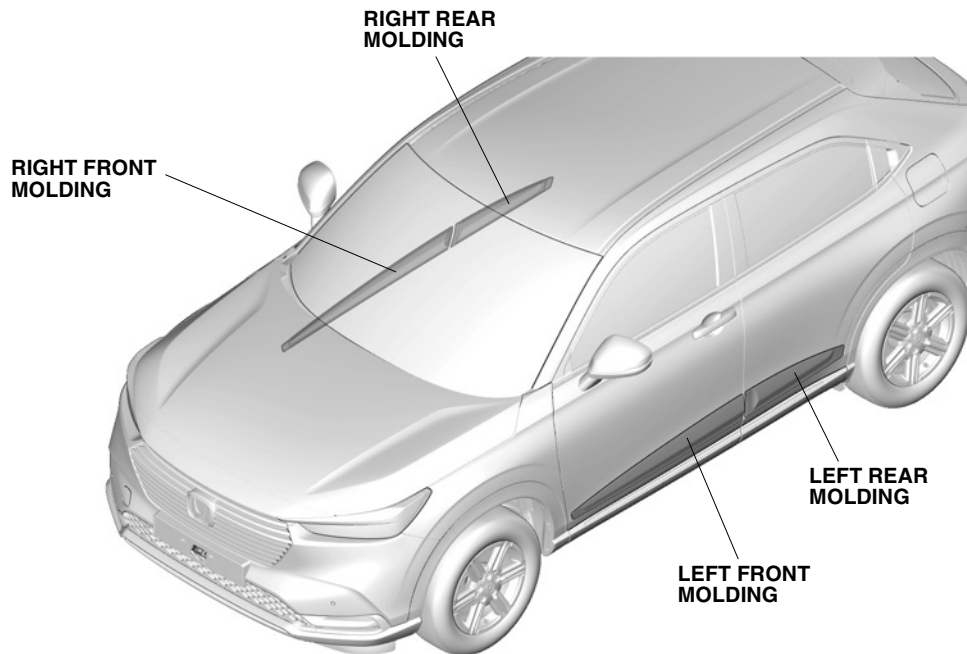


## DOOR SIDE MOLDINGS

*HR-V*

## GENERAL VIEW



QL12001AH

## FOR YOUR SAFETY (Read carefully)

## Introduction of Symbol Messages

- These symbols warn you about the possible hazards and explain how to avoid them. And give you some advices.

**⚠ DANGER**

You will be killed or seriously hurt if you do not follow the instructions.

**⚠ WARNING**

You can be killed or seriously hurt if you do not follow the instructions.

**⚠ CAUTION**

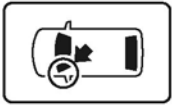
You can be hurt if you do not follow the instructions.

**NOTICE**Gives advice to prevent damage to the product.  
Gives helpful information or instructions to be followed in using the product.

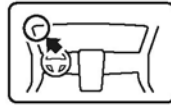
Indicates prohibited actions.

## Introduction of Icons

- These icons indicate the working place and the worker's vision.



The place for the vehicle.



The place for the instrument panel.

- These icons indicate the necessary things for your safety and the work.



Wear eye protection.



Wear heavy gloves.



Work with an assistant.



Place the part on a blanket.



Remove any burrs.



Use the touch-up paint and dry.



Keep the parts and give it to the customer.  
(Not use)



Press firmly.



Tighten by specified torque.



Work perpendicularly.



Clean with the contact cleaner.

## Safety: General

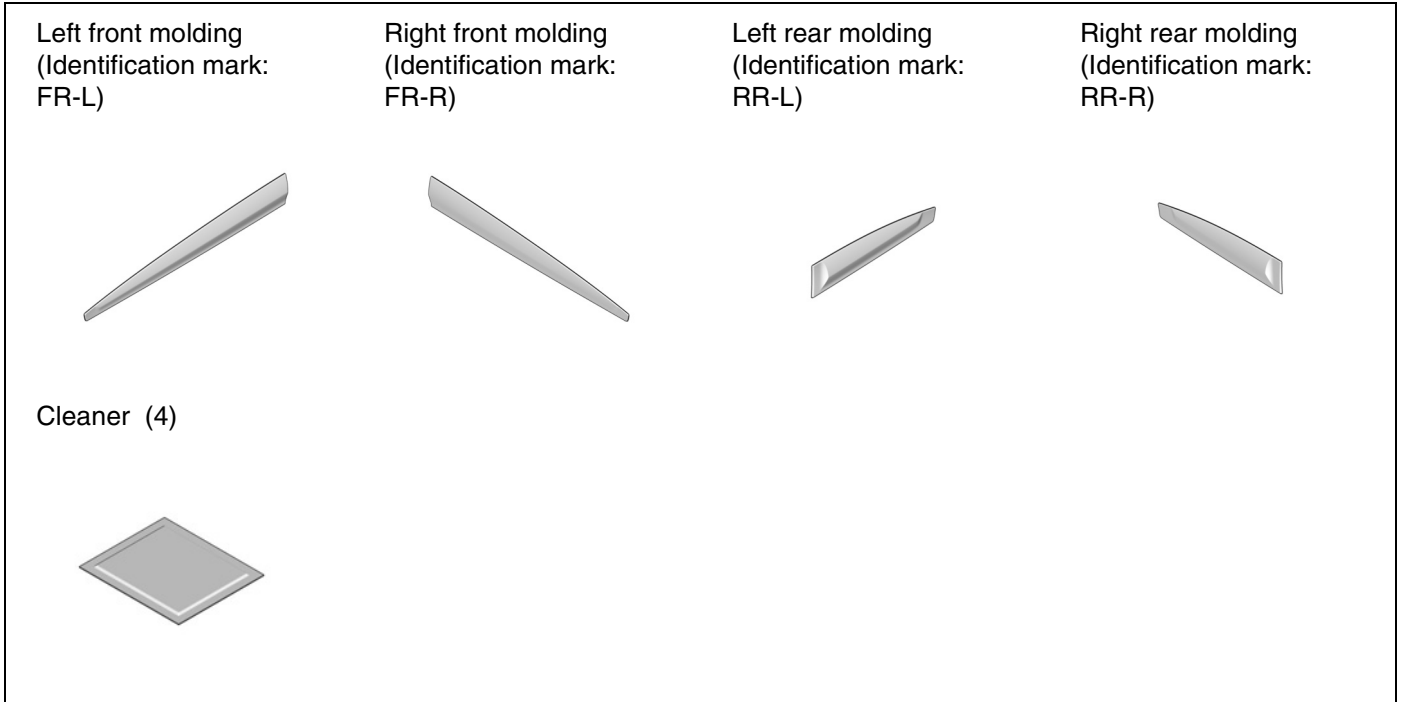
- Be careful not to damage the vehicle and the parts.
- The illustrations may differ a little from the actual accessories for the design change of the vehicle.

## Safety: For the Accessory

- **Do not perform installation work and attaching work at the place where gets the direct rays of the sun or the dust appears.**
- **Always install these accessories at the ambient air temperature 15°C (60°F) or above.**
- **Heat the accessories and bonding surfaces if the ambient air temperature is below 15°C (60°F).**
- **Attach the accessories by pressing it firmly with the palm of your hand. Be careful not to damage the accessories and the vehicle parts.**
- **Carefully place the double-sided adhesive tape on the proper position. Once the double-sided adhesive tape touches the surface, do not try to detach and relocate it. If you attempt to move after it touches the surface, you will damage the part before the adhesive will give way.**
- **Not to wash the vehicle for 24 hours to allow the adhesive to cure.**

# PARTS LIST

## Door Side Moldings Kit



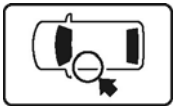
## TOOLS AND SUPPLIES REQUIRED

- Masking tape
- Ruler
- Felt-tip pen
- Tape measure

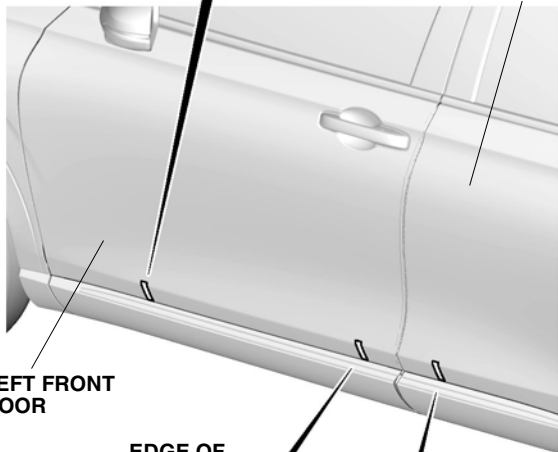
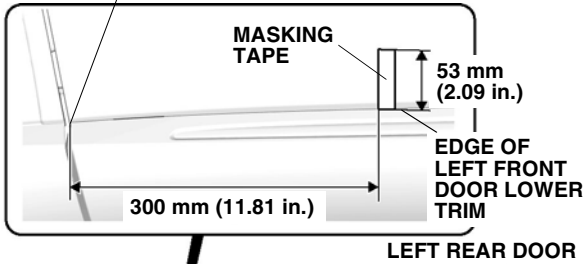
# INSTALLATION

## Installing the Moldings

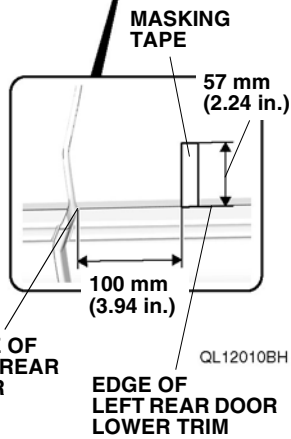
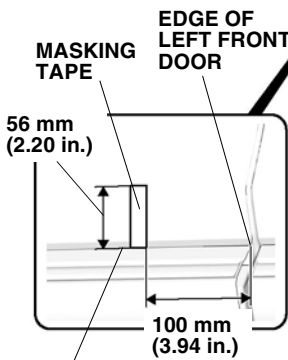
1. Attach the masking tapes.



EDGE OF LEFT FRONT DOOR LOWER TRIM



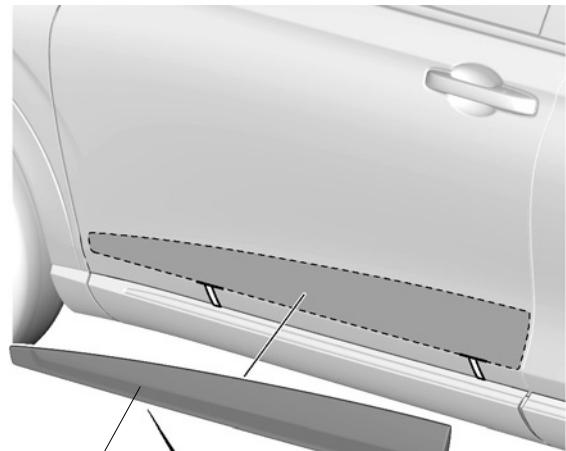
LEFT FRONT DOOR



2. Align the left front molding.

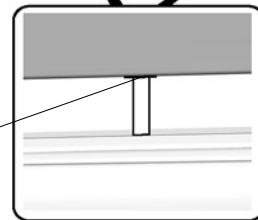
### NOTICE

- Make sure to check the shape (identification mark) before installation.



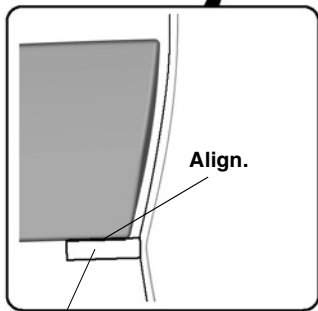
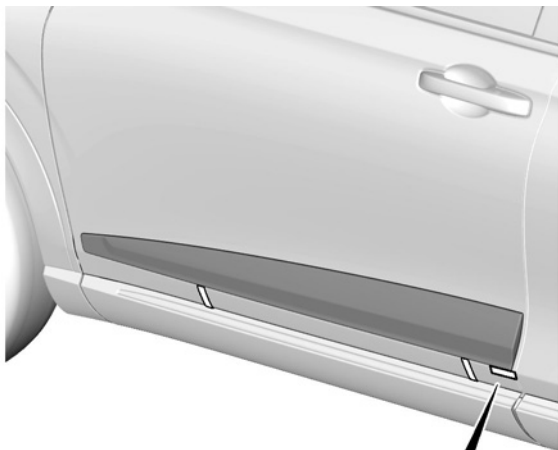
LEFT FRONT MOLDING (Identification mark: FR-L)

Align.



QL12003DH

3. Attach the masking tape.

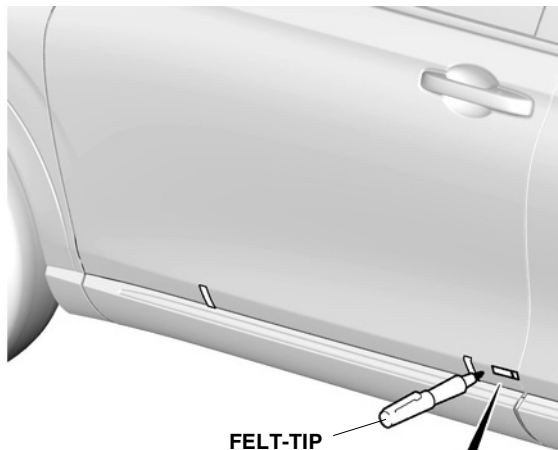


MASKING TAPE

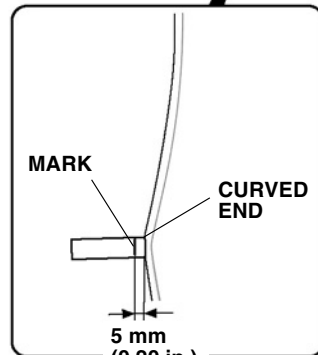
QL60401AT

4. Remove the left front molding.

5. Mark the masking tape.



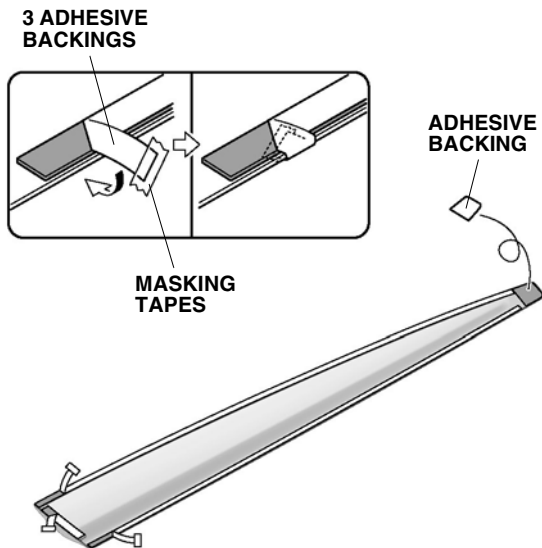
FELT-TIP PEN



QL60402BT

6. Temporarily attach the adhesive backings.

7. Remove the adhesive backing.



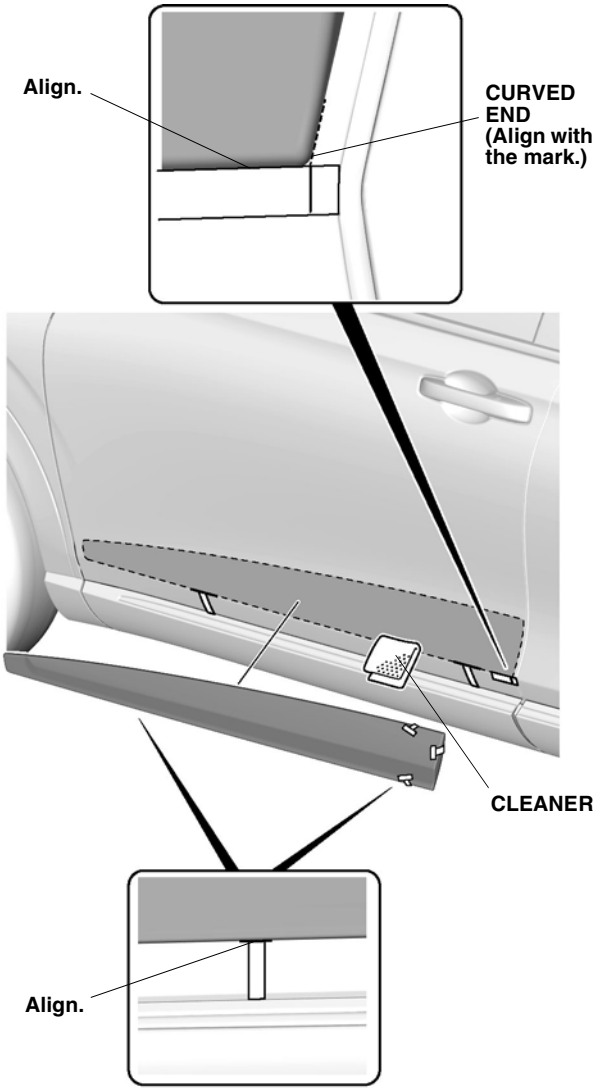
QL12002BH

8. Clean the attaching area.

**NOTICE**

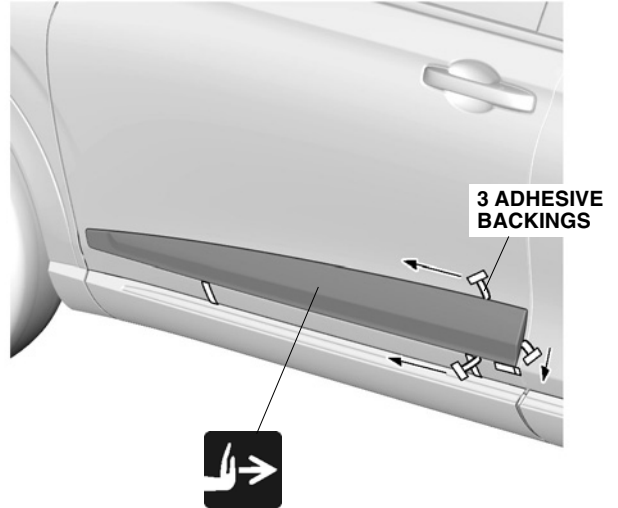
- Allow to dry thoroughly.

9. Align the left front molding.



QL60403BT

10. Secure the left front molding.

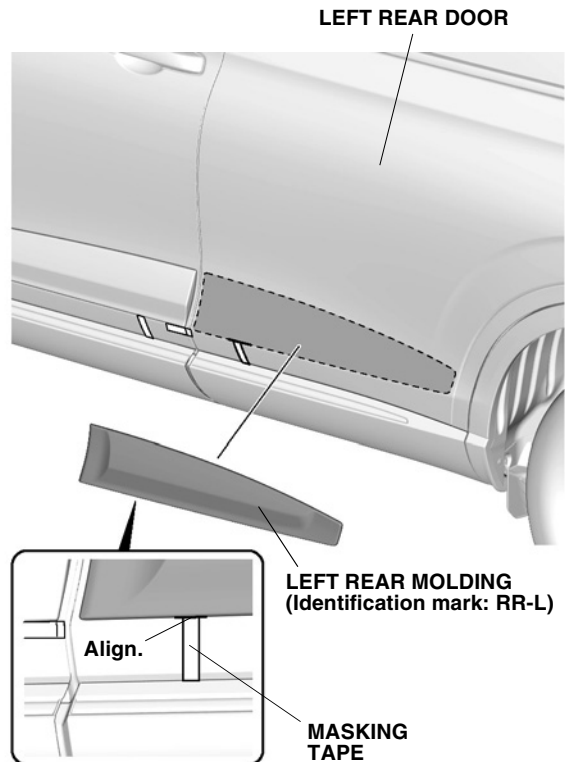
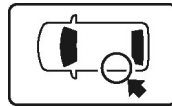


QL12004DH

11. Align the left rear molding.

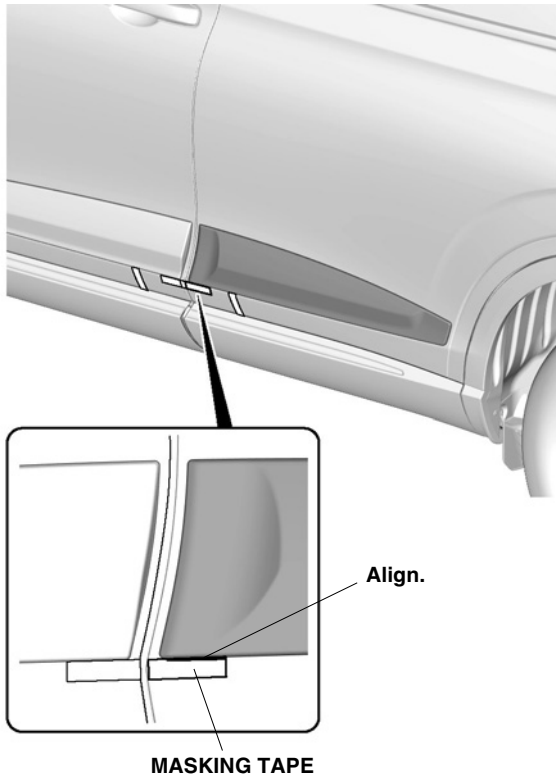
**NOTICE**

- Make sure to check the shape (identification mark) before installation.



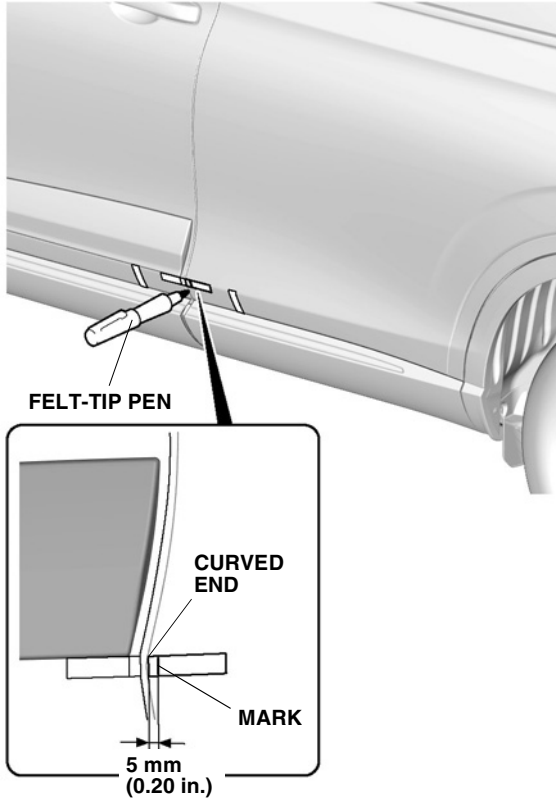
QL12006DH

12. Attach the masking tape.



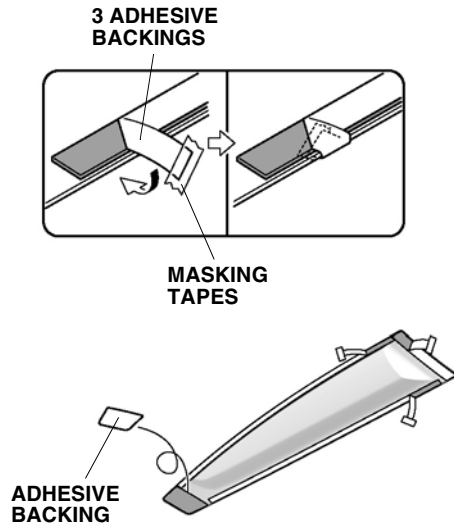
QL60404AT

13. Remove the left rear molding.  
14. Mark the masking tape.



QL60405BT

15. Temporarily attach the adhesive backings.  
16. Remove the adhesive backing.



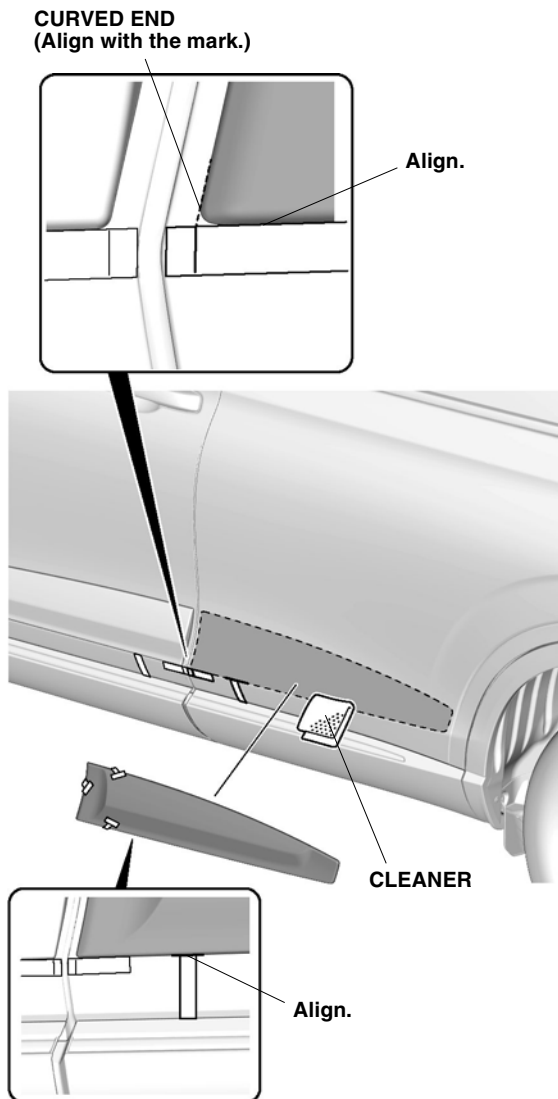
QL12005AH

17. Clean the attaching area.

**NOTICE**

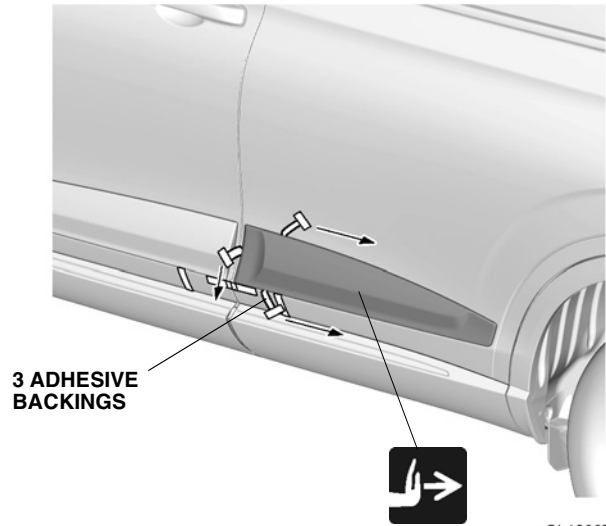
- Allow to dry thoroughly.

18. Align the left rear molding.



QL60406BT

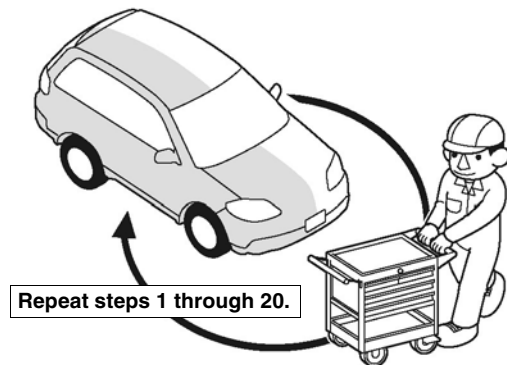
19. Secure the left rear molding.



QL12007CH

20. Remove the masking tapes.

21. Repeat same procedures for the other side.



Q9D1014AM

22. Check that all parts are installed properly.  
(End of installation)