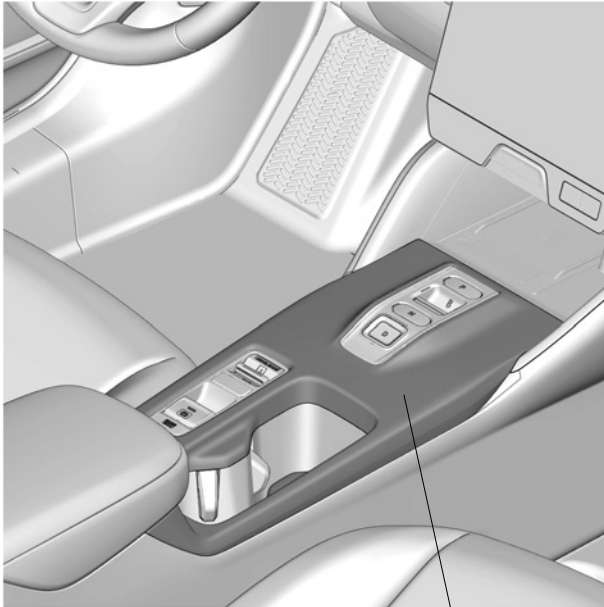


CENTER CONSOLE PANEL	<i>e:Ny1</i>
----------------------	--------------

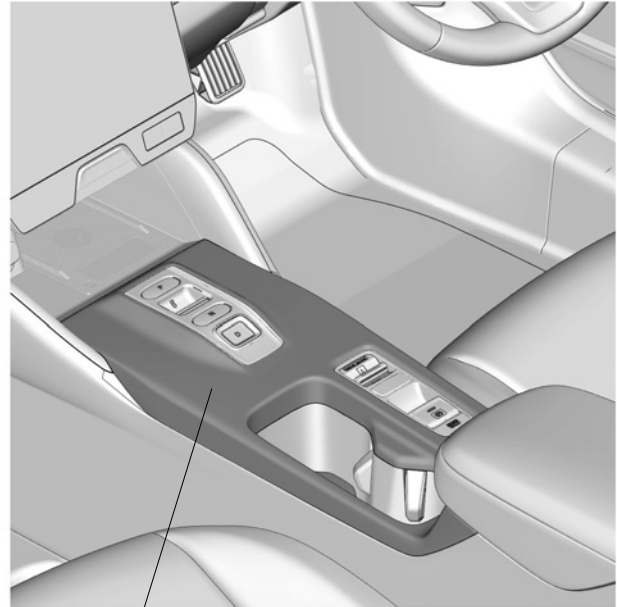
GENERAL VIEW

<LHD models>



PANEL

<RHD models>



PANEL

QM70901AT

FOR YOUR SAFETY (Read carefully)

Introduction of Symbol Messages

- These symbols warn you about the possible hazards and explain how to avoid them. And give you some advices.

⚠ DANGER

You will be killed or seriously hurt if you do not follow the instructions.

⚠ WARNING

You can be killed or seriously hurt if you do not follow the instructions.

⚠ CAUTION

You can be hurt if you do not follow the instructions.

NOTICE

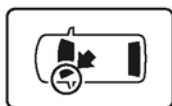
Gives advice to prevent damage to the product.
Gives helpful information or instructions to be followed in using the product.



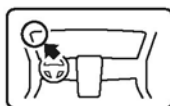
Indicates prohibited actions.

Introduction of Icons

- These icons indicate the working place and the worker's vision.



The place for the vehicle.



The place for the instrument panel.

- These icons indicate the necessary things for your safety and the work.



Wear eye protection.



Wear heavy gloves.



Work with an assistant.



Place the part on a blanket.



Remove any burrs.



Use the touch-up paint and dry.



Keep the parts and give it to the customer.
(Not use)



Press firmly.



Tighten by specified torque.

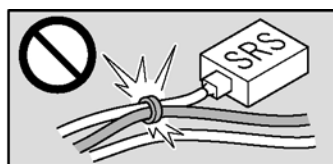


Work perpendicularly.



Clean with the contact cleaner.

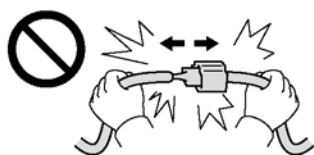
Wire Harness Routing Precaution



Do not clamp the accessory harness and SRS harness together. (except for instruction cases).



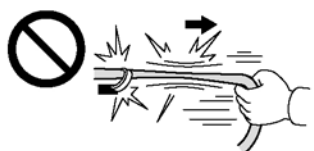
Connect the connectors and terminals securely until they lock.



Do not pull the harness to disconnect the connectors.



Reinstall the connectors to the original positions if they are removed.



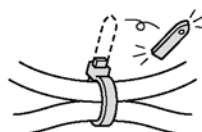
Do not pull the harness strongly.



Secure the accessory harness to the specified position, not to hang down.



Do not pinch the harness with the parts.



Cut off the excess of the wire ties.

Safety: General

- Observe all safety notes and precautions described in the Shop Manual in addition to those described in this Installation Instructions. Be extremely careful for your safety and safety of others particularly.
- Be careful not to damage the vehicle and the parts.
- Be extremely careful to the handling of the retaining tabs and clips particularly.
- Note the locations of the parts before removing them so that they can be reinstalled in their original positions properly.
- The illustrations may differ a little from the actual accessories for the design change of the vehicle.

Safety: For Electric Parts

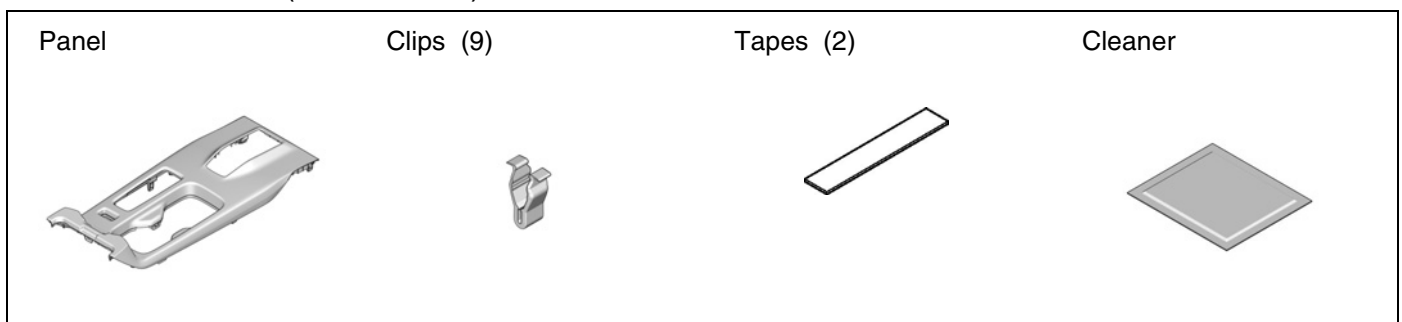
- Do not perform the installation of the accessories with having connected negative cable of the battery.

Safety: For the Accessory

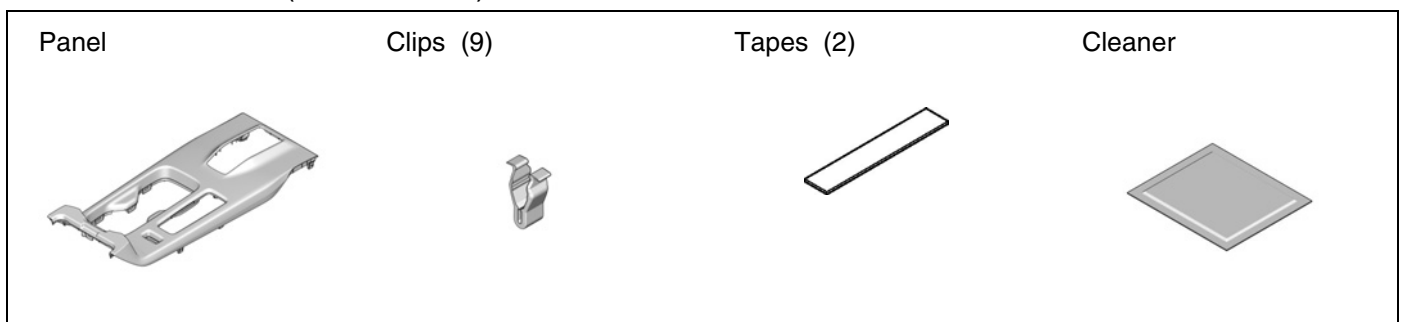
- **Always use the parts and tools specified in the installation instructions.**
- **Do not perform installation work and attaching work at the place where gets the direct rays of the sun or the dust appears.**
- **Always install these accessories at the ambient air temperature 15°C (60°F) or above.**
- **Heat the accessories and bonding surfaces if the ambient air temperature is below 15°C (60°F).**
- **Attach the accessories by pressing it firmly with the palm of your hand. Be careful not to damage the accessories and the vehicle parts.**
- **Carefully place the double-sided adhesive tape on the proper position. Once the double-sided adhesive tape touches the surface, do not try to detach and relocate it. If you attempt to move after it touches the surface, you will damage the part before the adhesive will give way.**

PARTS LIST

Center Console Kit (LHD models)



Center Console Kit (RHD models)



TOOLS AND SUPPLIES REQUIRED

- Phillips screwdriver
- Handy remover
- 10 mm Socket
- 10 mm Open end wrench
- Ratchet
- Ruler

INSTALLATION

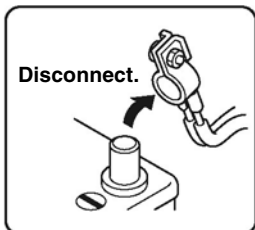
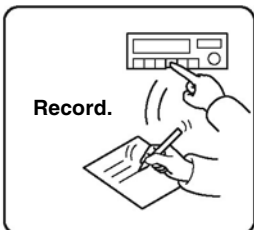
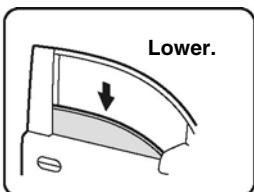
Disconnecting the Battery Cable

1. Perform the works before disconnecting the negative cable from the battery as shown below.
2. Make sure if you have the anti-theft code for the audio/navigation system. Record some settings of the vehicle if necessary.
3. Turn the power switch to ON.
4. Turn the power switch to OFF.

NOTICE
<ul style="list-style-type: none"> Make sure that the indicator of power switch is lighted out.

5. Disconnect the negative cable from the battery.

NOTICE
<ul style="list-style-type: none"> With the driver's door open, turn the vehicle to the OFF (LOCK) mode, then wait at least 3 minutes before disconnecting the 12 volt negative battery cable.



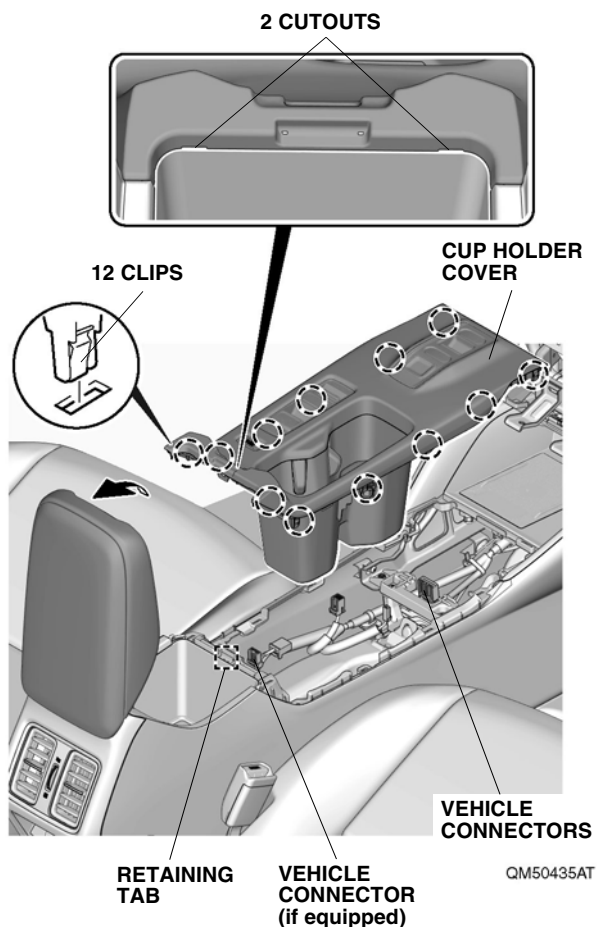
QCD0502BM

6. Follow the below guidance.

<ul style="list-style-type: none"> LHD models 	To step 7
<ul style="list-style-type: none"> RHD models 	To step 20

Removing the Vehicle Parts (LHD)

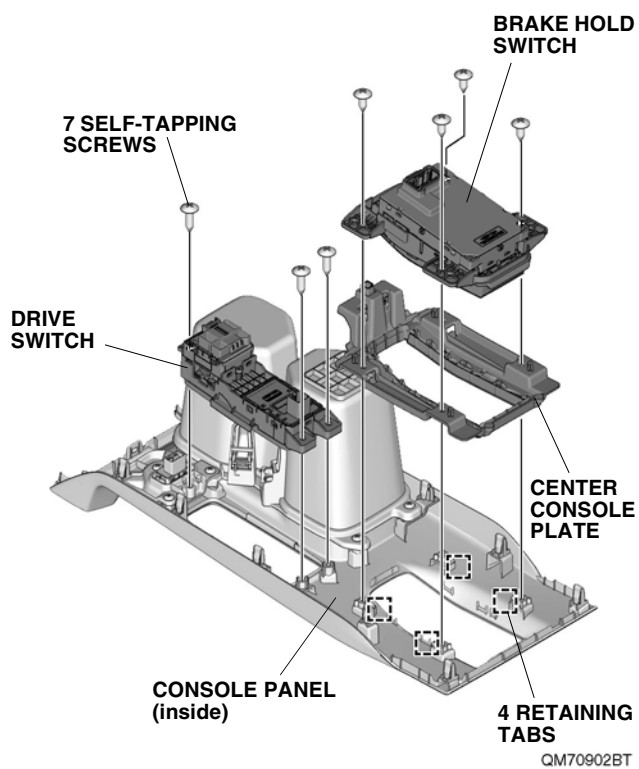
7. Remove the cup holder cover.



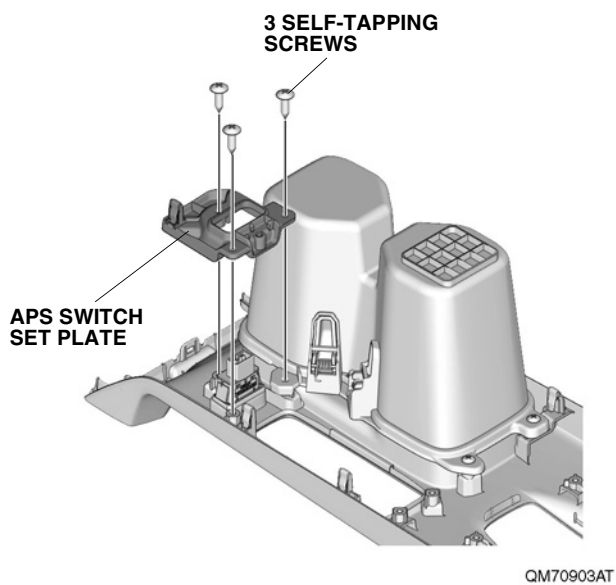
QM50435AT

Installing the Panel (LHD)

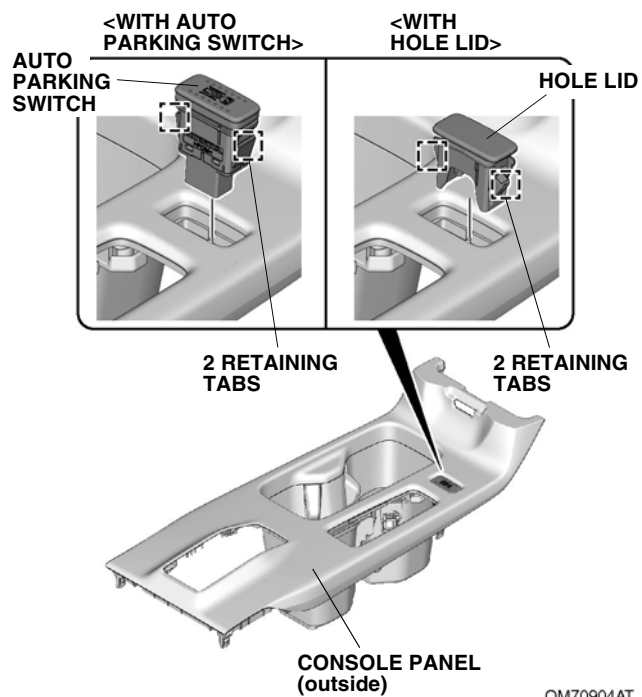
- Remove the drive switch, brake hold switch, and center console plate.



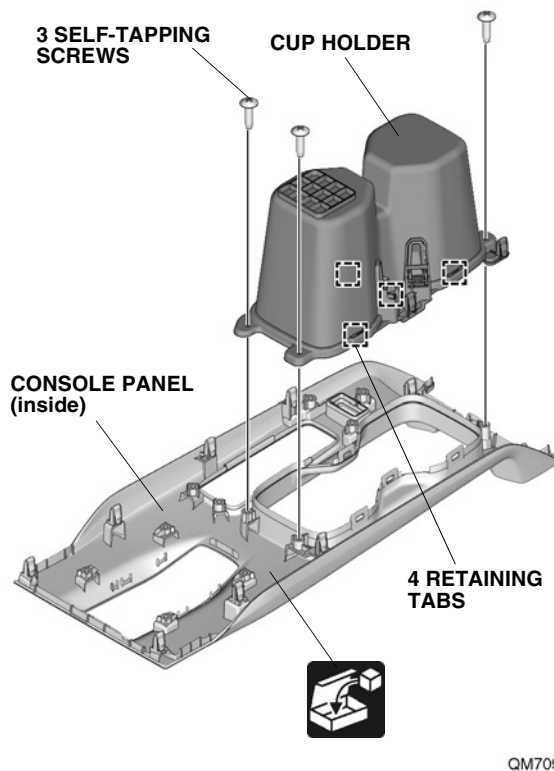
- Remove the aps switch set plate.



- Remove the auto parking switch or hole lid.



- Remove the cup holder.

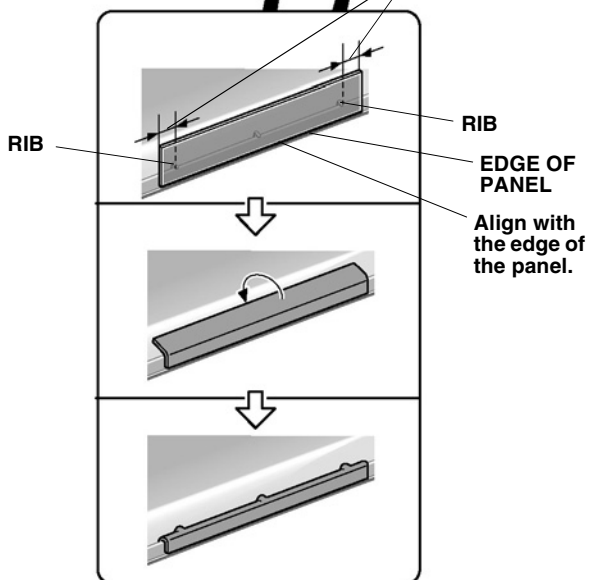
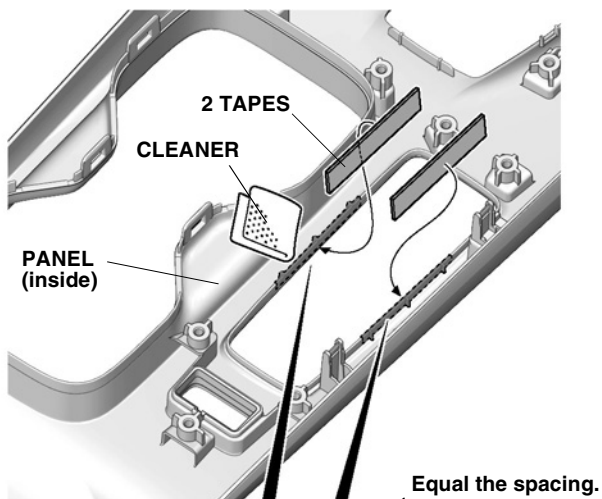


12. Clean the attaching area.

NOTICE

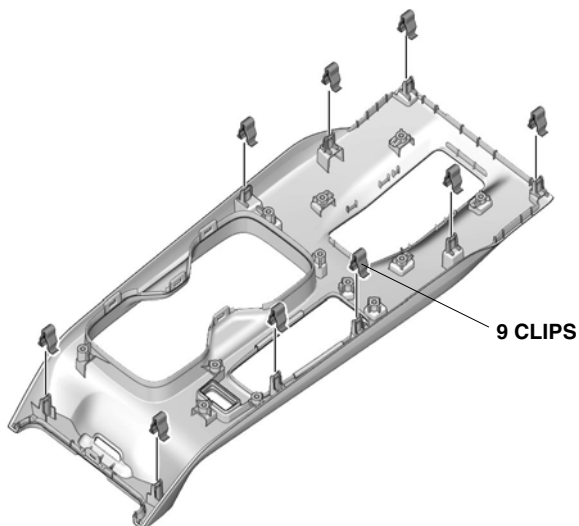
- Allow to dry thoroughly.

13. Attach the tape.



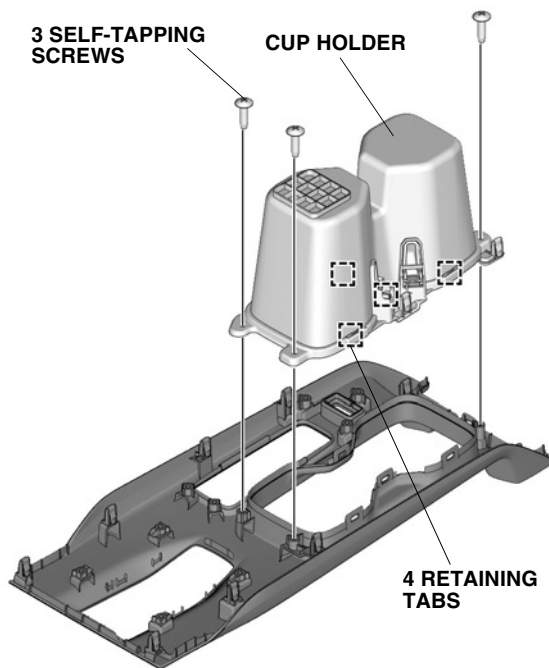
QM70910BT

14. Install the clip.



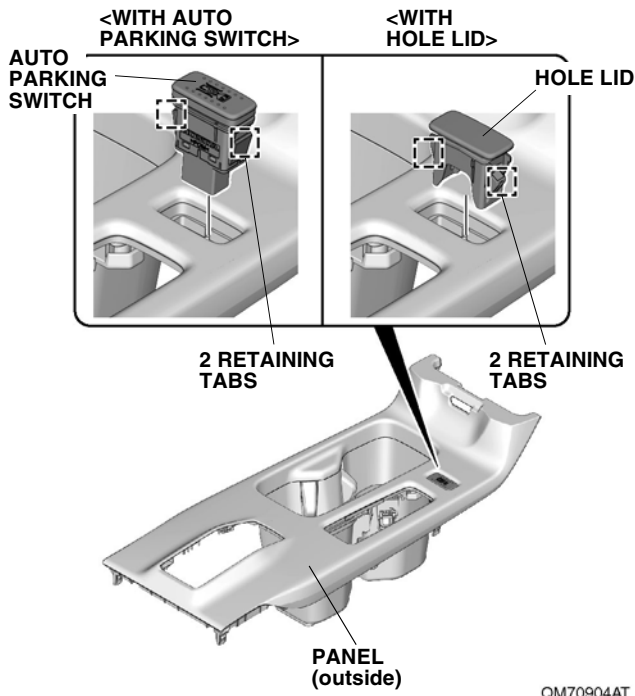
QM70911AT

15. Install the cup holder.

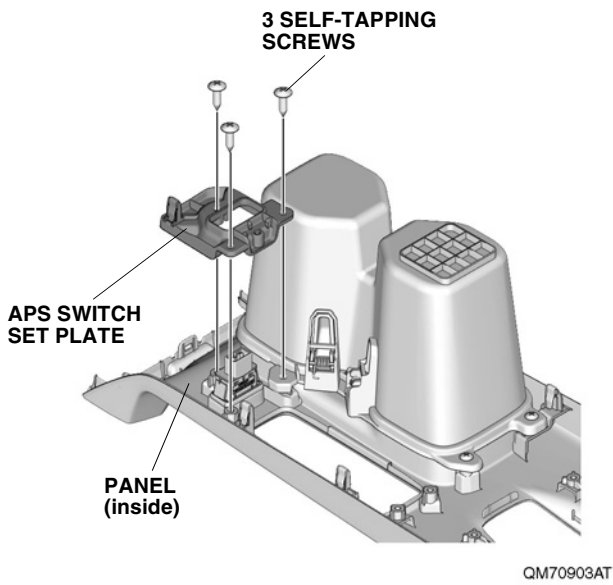


QM70906AT

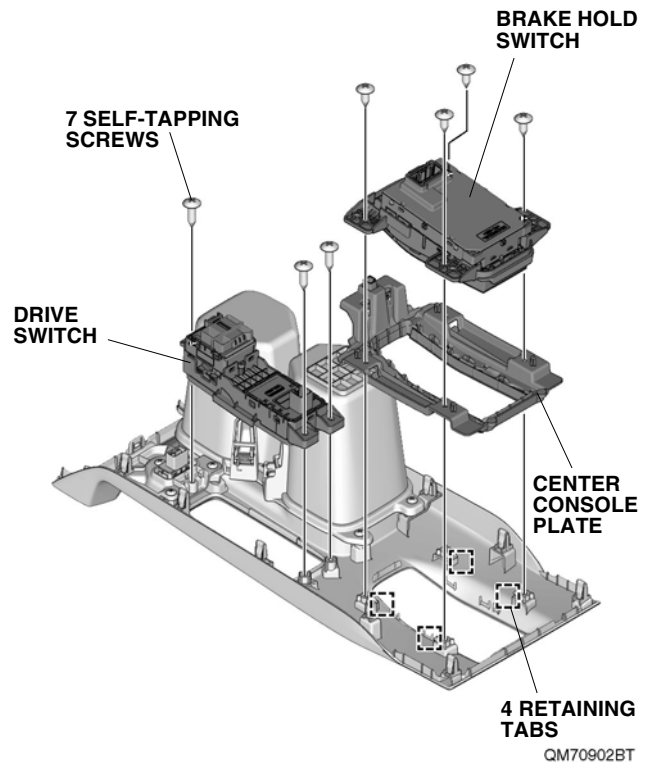
16. Install the auto parking switch or hole lid.



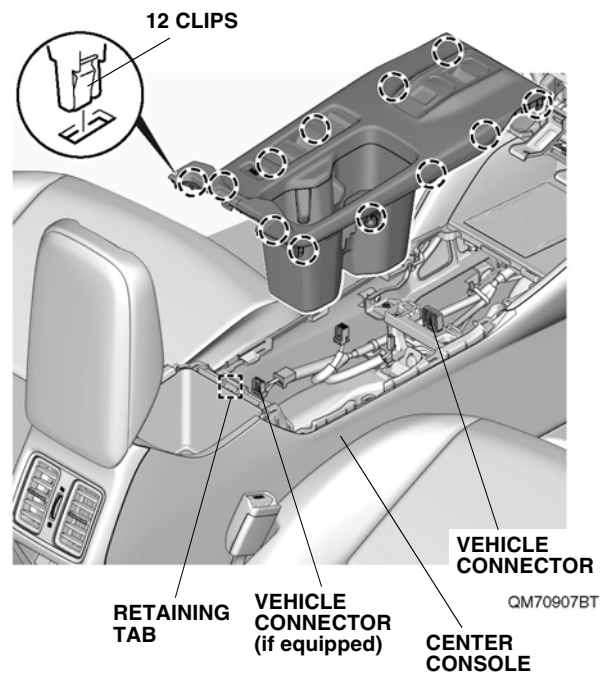
17. Install the aps switch set plate.



18. Install the drive switch, brake hold switch, and center console plate.



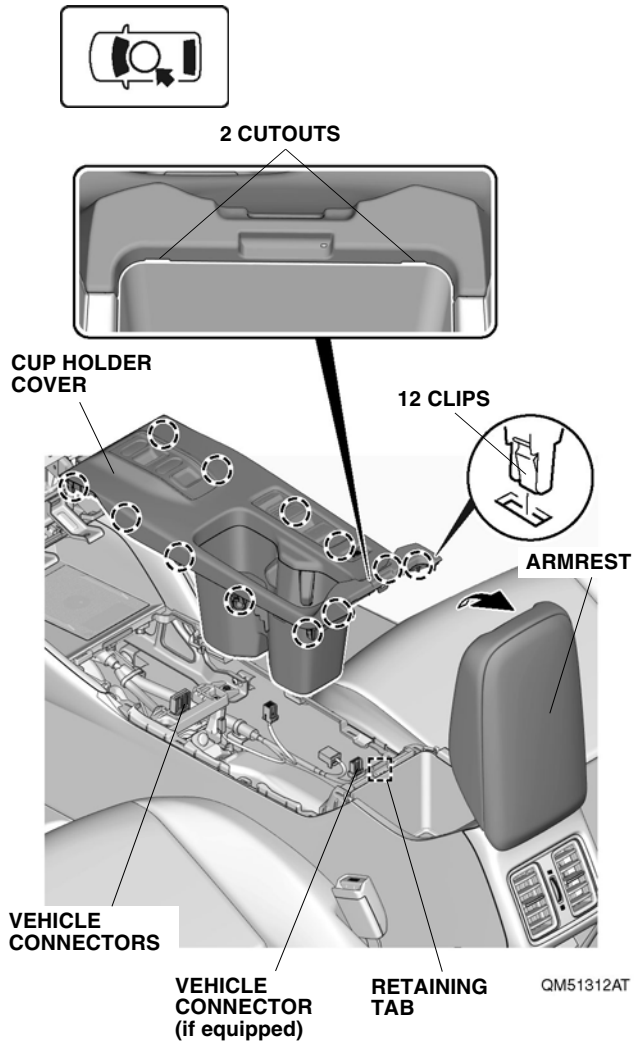
19. Install the panel.



To step 33

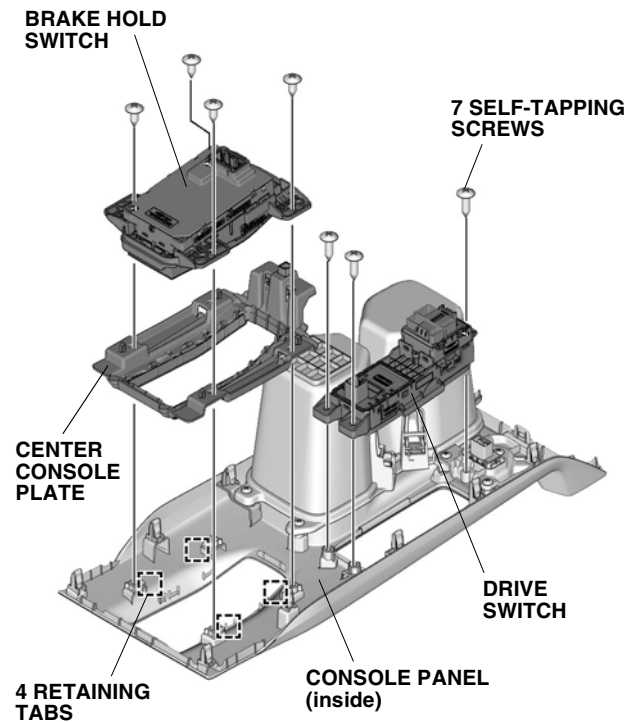
Removing the Vehicle Parts (RHD)

20. Remove the cup holder cover.

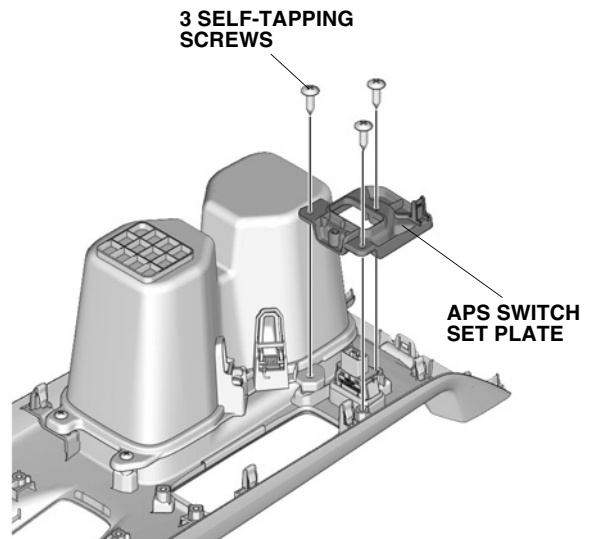


Installing the Panel (RHD)

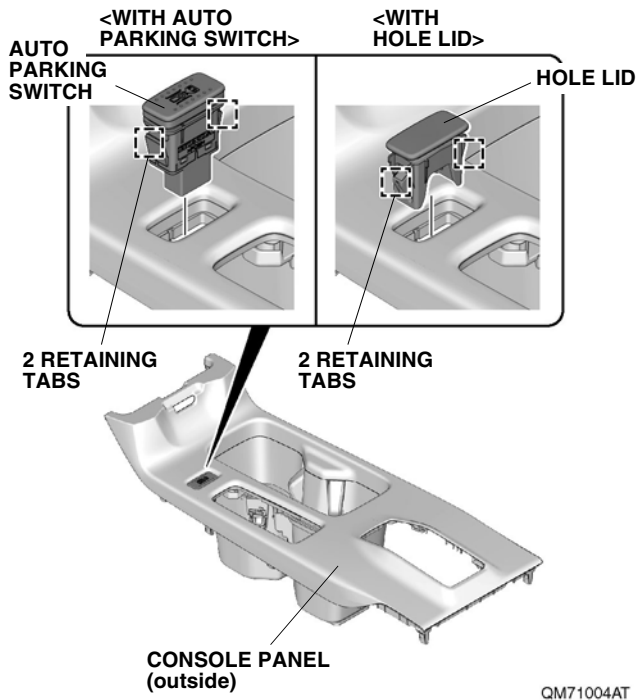
21. Remove the drive switch, brake hold switch, and center console plate.



22. Remove the aps switch set plate.

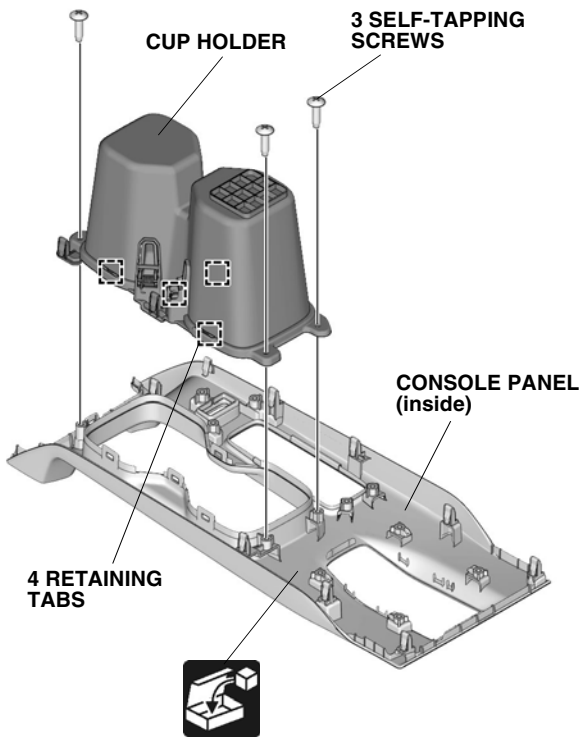


23. Remove the auto parking switch or hole lid.



QM71004AT

24. Remove the cup holder.

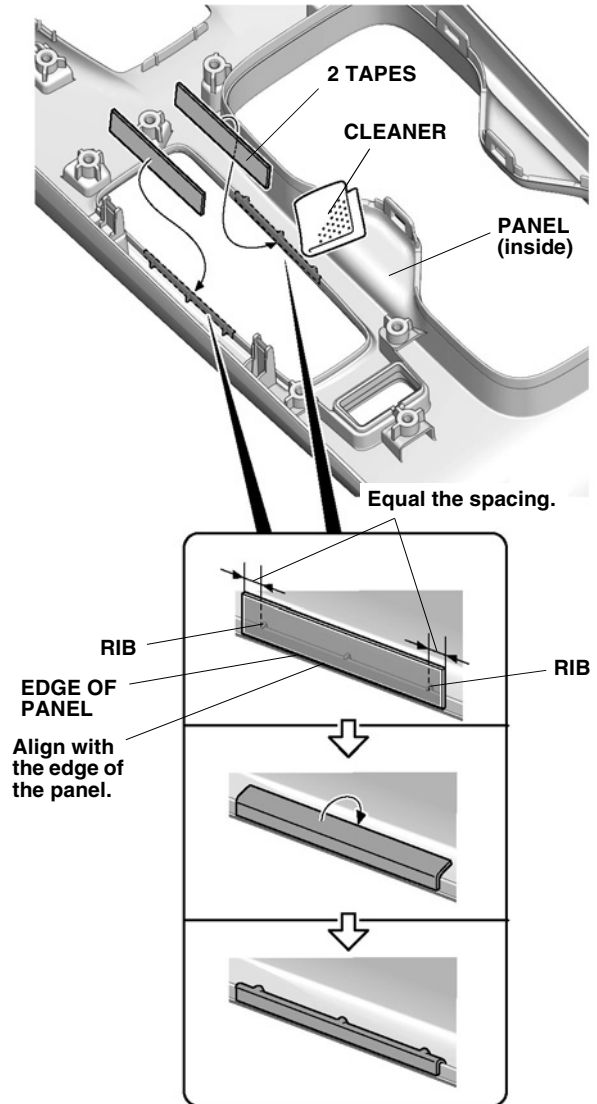


QM71005AT

25. Clean the attaching area.

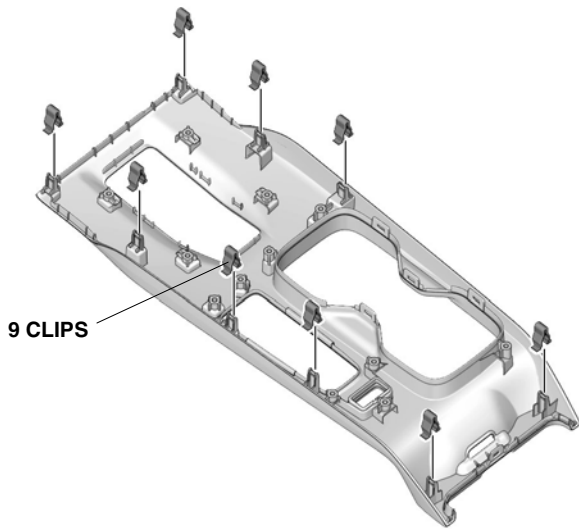
NOTICE
<ul style="list-style-type: none"> • Allow to dry thoroughly.

26. Attach the tape.



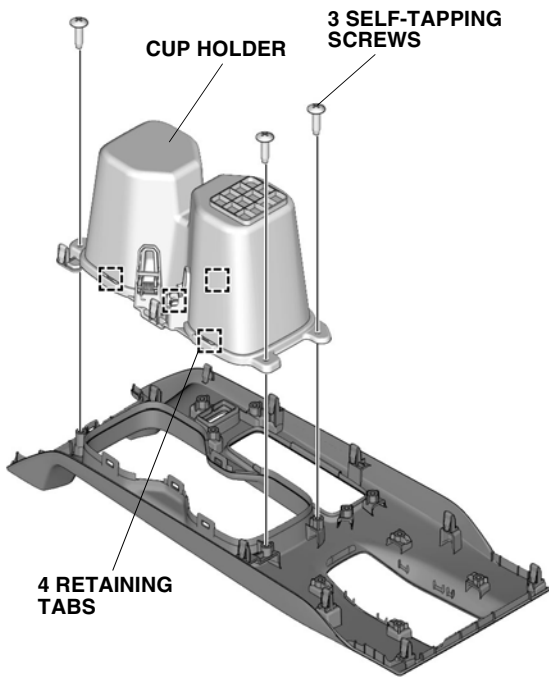
QM71010BT

27. Install the clip.



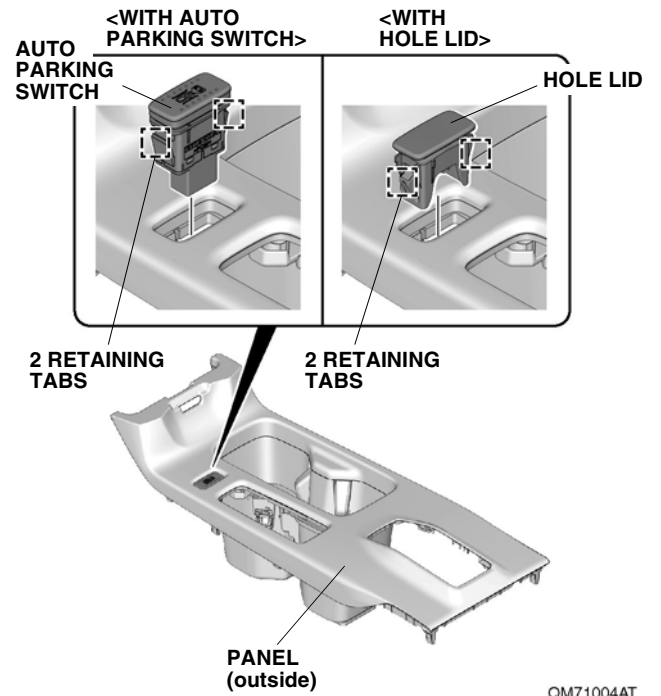
QM71011AT

28. Install the cup holder.



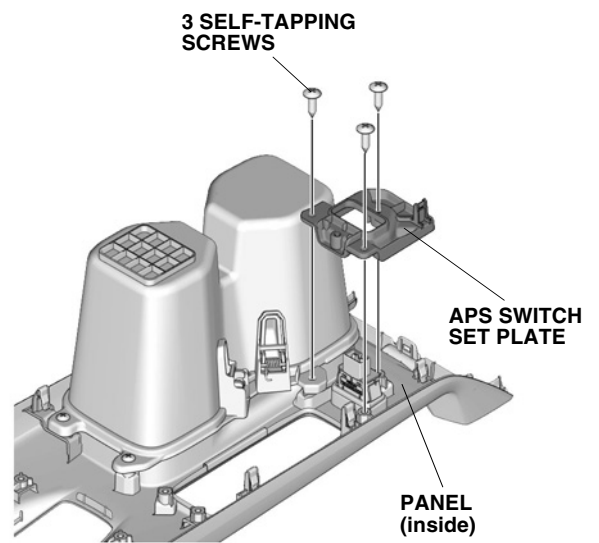
QM71006AT

29. Install the auto parking switch or hole lid.



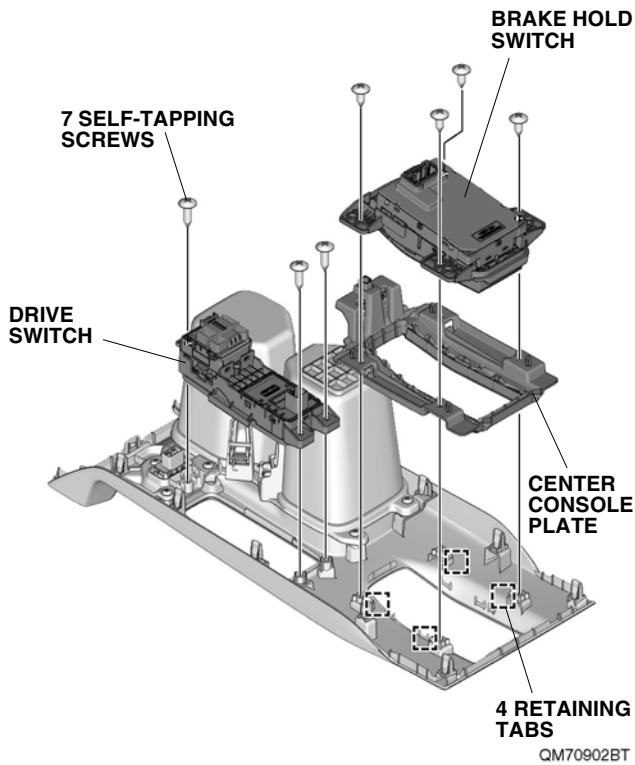
QM71004AT

30. Install the aps switch set plate.

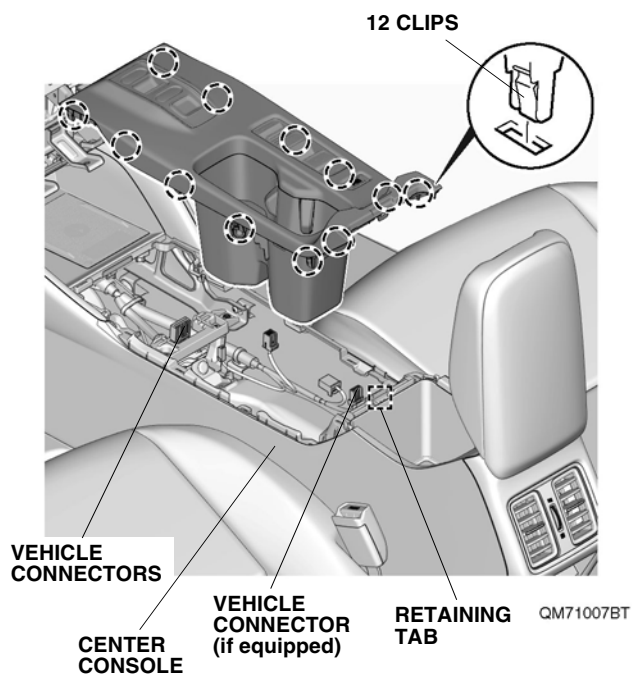


QM71003AT

31. Install the drive switch, brake hold switch, and center console plate.



32. Install the panel.

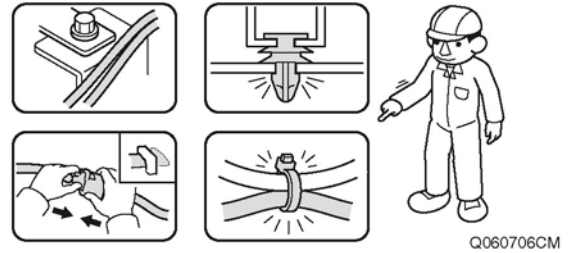


Check After Installation

33. Check that all parts are routed and installed properly.

NOTICE

- Check that the harnesses are not pushed, not pulled and not pinched.
- Check that all clamps and wire ties are installed securely.



Vehicle Check

34. Reconnect the negative cable to the battery.
35. Check that the electric accessories and systems operate properly.
36. Press and hold the audio power button for two seconds, or enter anti-theft code for the audio/navigation system.
37. Reset the memory of each equipment and restore the positions of those control knobs.

