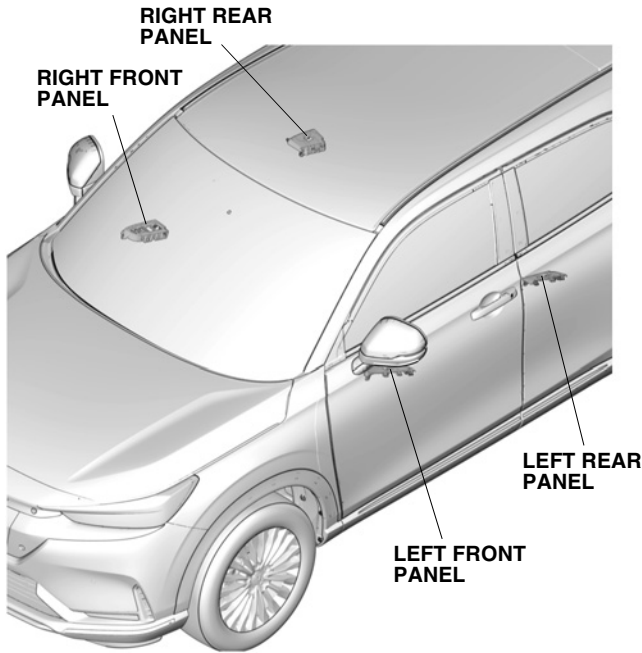


DOOR SWITCH PANELS

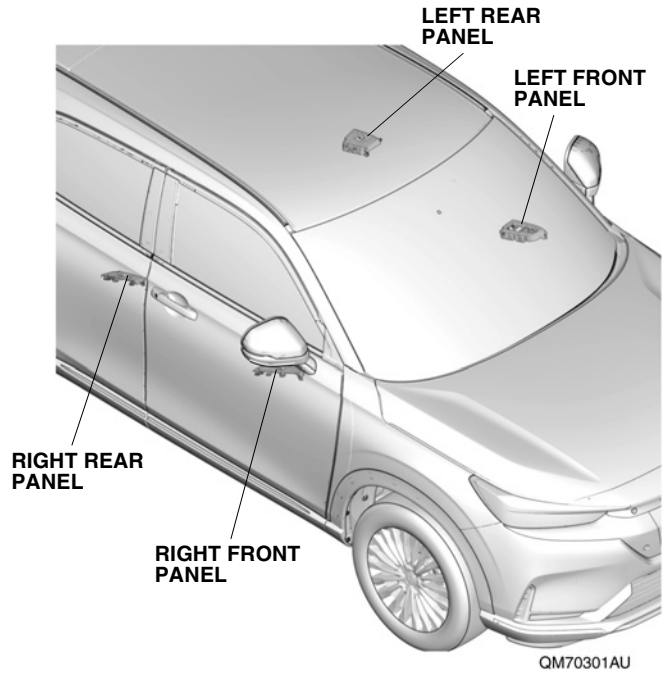
e:Ny1

GENERAL VIEW

<LHD models>



<RHD models>



FOR YOUR SAFETY (Read carefully)

Introduction of Symbol Messages

- These symbols warn you about the possible hazards and explain how to avoid them. And give you some advices.

⚠ DANGER

You will be killed or seriously hurt if you do not follow the instructions.

⚠ WARNING

You can be killed or seriously hurt if you do not follow the instructions.

⚠ CAUTION

You can be hurt if you do not follow the instructions.

NOTICE

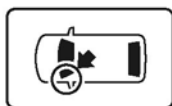
Gives advice to prevent damage to the product.
Gives helpful information or instructions to be followed in using the product.



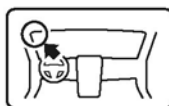
Indicates prohibited actions.

Introduction of Icons

- These icons indicate the working place and the worker's vision.



The place for the vehicle.



The place for the instrument panel.

- These icons indicate the necessary things for your safety and the work.



Wear eye protection.



Wear heavy gloves.



Work with an assistant.



Place the part on a blanket.



Remove any burrs.



Use the touch-up paint and dry.



Keep the parts and give it to the customer.
(Not use)



Press firmly.



Tighten by specified torque.

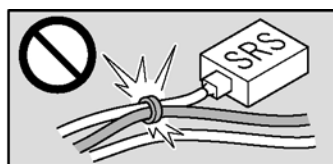


Work perpendicularly.

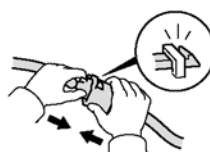


Clean with the contact cleaner.

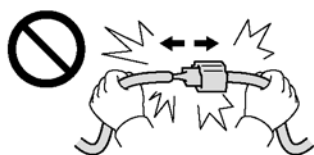
Wire Harness Routing Precaution



Do not clamp the accessory harness and SRS harness together. (except for instruction cases).



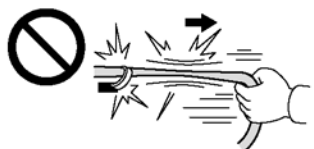
Connect the connectors and terminals securely until they lock.



Do not pull the harness to disconnect the connectors.



Reinstall the connectors to the original positions if they are removed.



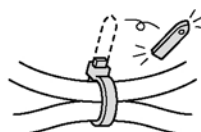
Do not pull the harness strongly.



Secure the accessory harness to the specified position, not to hang down.



Do not pinch the harness with the parts.



Cut off the excess of the wire ties.

Safety: General

- Observe all safety notes and precautions described in the Shop Manual in addition to those described in this Installation Instructions. Be extremely careful for your safety and safety of others particularly.
- Be careful not to damage the vehicle and the parts.
- Be extremely careful to the handling of the retaining tabs and clips particularly.
- Note the locations of the parts before removing them so that they can be reinstalled in their original positions properly.
- The illustrations may differ a little from the actual accessories for the design change of the vehicle.

Safety: For Electric Parts






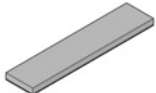
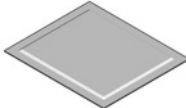
- Do not perform the installation of the accessories with having connected negative cable of the battery.

Safety: For the Accessory

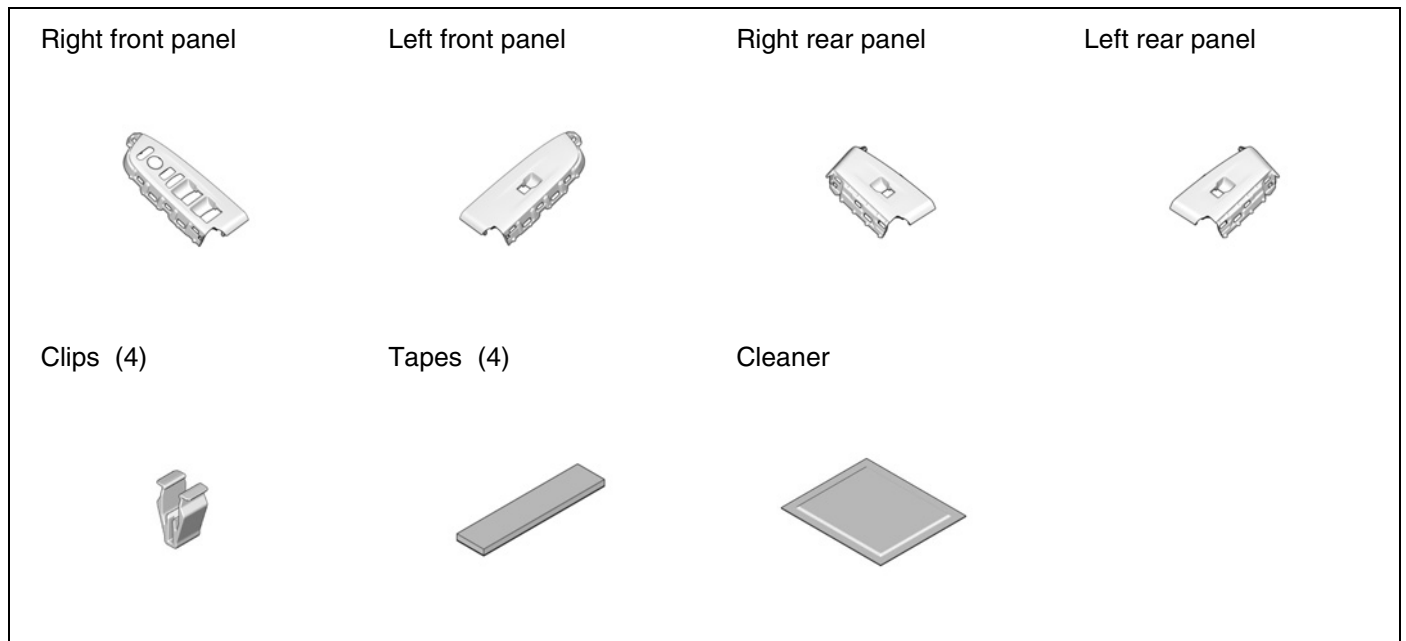
- **Always use the parts and tools specified in the installation instructions.**
- **Do not perform installation work and attaching work at the place where gets the direct rays of the sun or the dust appears.**
- **Always install these accessories at the ambient air temperature 15°C (60°F) or above.**
- **Heat the accessories and bonding surfaces if the ambient air temperature is below 15°C (60°F).**
- **Attach the accessories by pressing it firmly with the palm of your hand. Be careful not to damage the accessories and the vehicle parts.**
- **Carefully place the double-sided adhesive tape on the proper position. Once the double-sided adhesive tape touches the surface, do not try to detach and relocate it. If you attempt to move after it touches the surface, you will damage the part before the adhesive will give way.**

PARTS LIST

Door Switch Panels Kit (LHD models)

Right front panel	Left front panel	Right rear panel	Left rear panel
			
Clips (4)	Tapes (4)	Cleaner	
			

Door Switch Panels Kit (RHD models)



TOOLS AND SUPPLIES REQUIRED

- 10 mm Socket
- Ratchet
- Handy remover
- Phillips screwdriver
- Tape
- Scissors
- 10 mm Open end wrench
- Flat-tip screwdriver

INSTALLATION

Disconnecting the Battery Cable

1. Perform the works before disconnecting the negative cable from the battery as shown below.
2. Make sure if you have the anti-theft code for the audio/navigation system. Record some settings of the vehicle if necessary.
3. Turn the power switch to ON.
4. Turn the power switch to OFF.

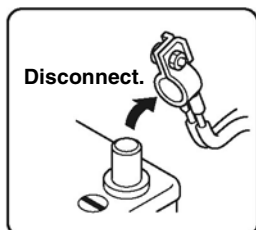
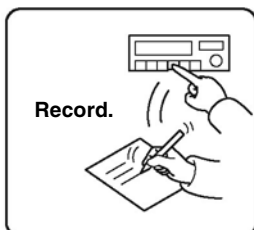
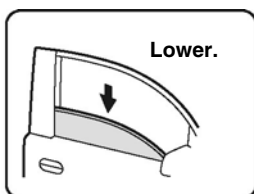
NOTICE

- Make sure that the indicator of power switch is lighted out.

5. Disconnect the negative cable from the battery.

NOTICE

- With the driver's door open, turn the vehicle to the OFF (LOCK) mode, then wait at least 3 minutes before disconnecting the 12 volt negative battery cable.



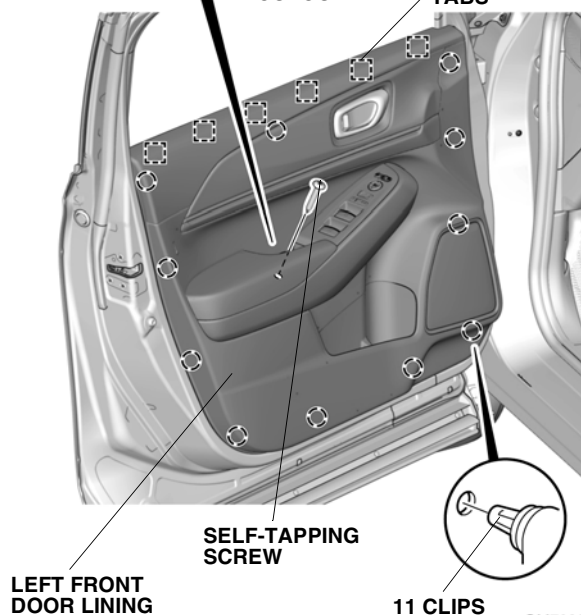
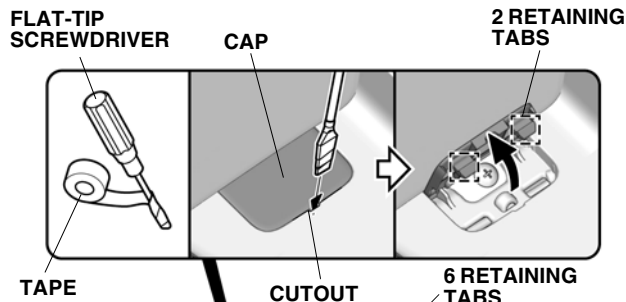
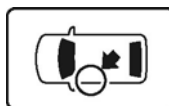
QCD0502BM

6. Follow the below guidance.

• LHD models	To step 7
• RHD models	To step 38

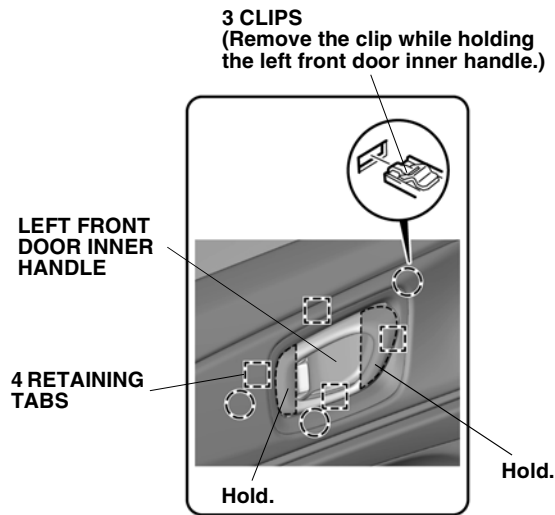
Removing the Vehicle Parts (LHD)

7. Release the left front door lining.

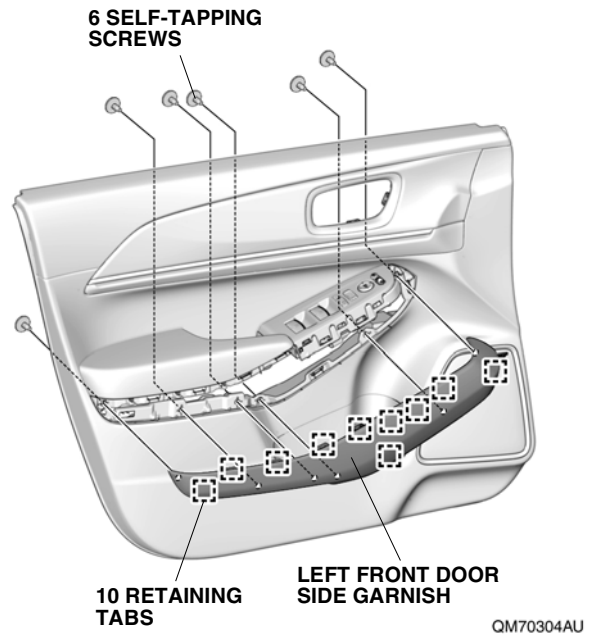


QM70302AU

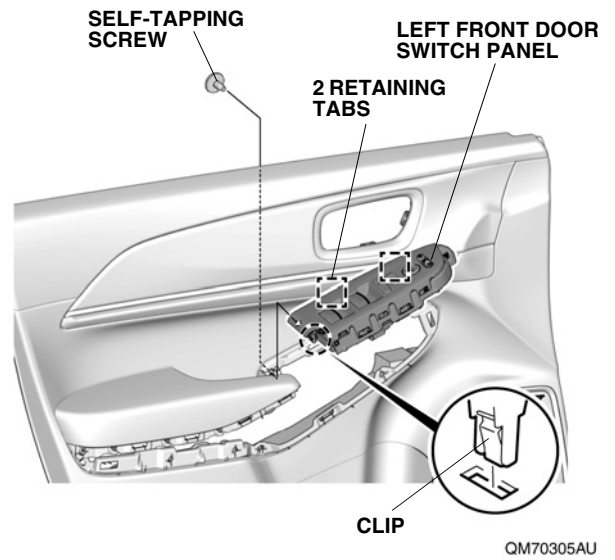
8. Remove the left front door lining.



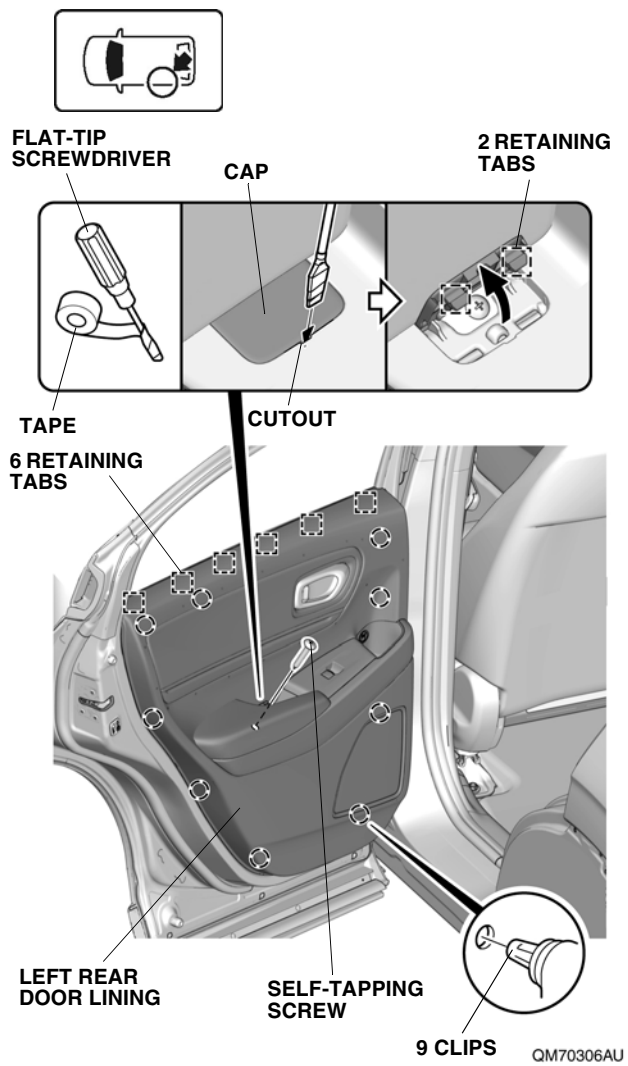
9. Remove the left front door side garnish.



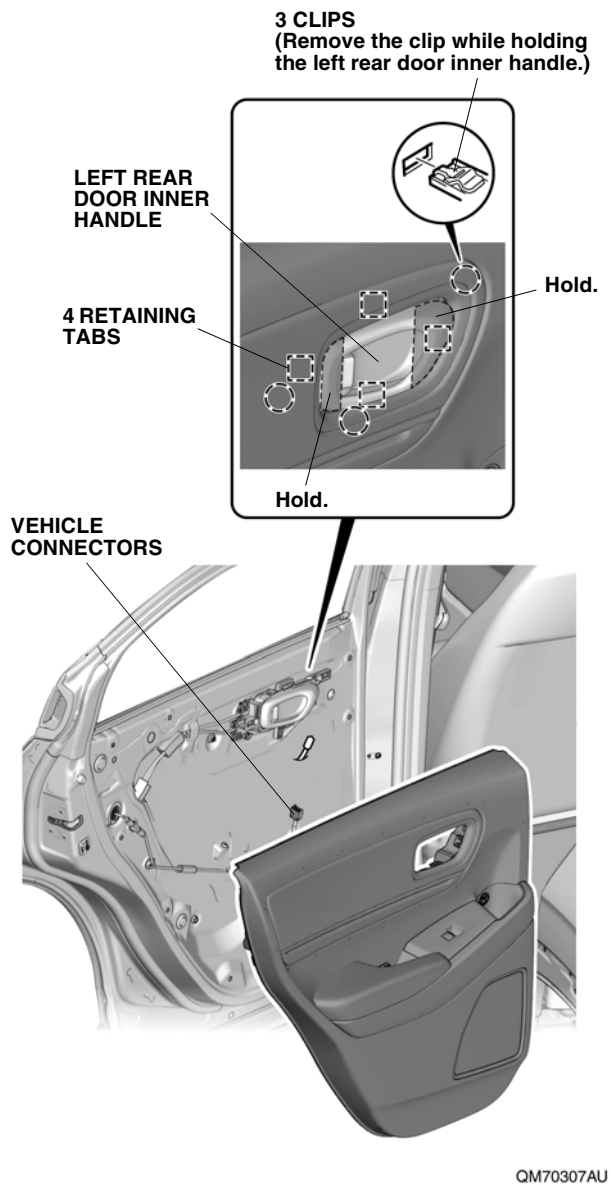
10. Remove the left front door switch panel.



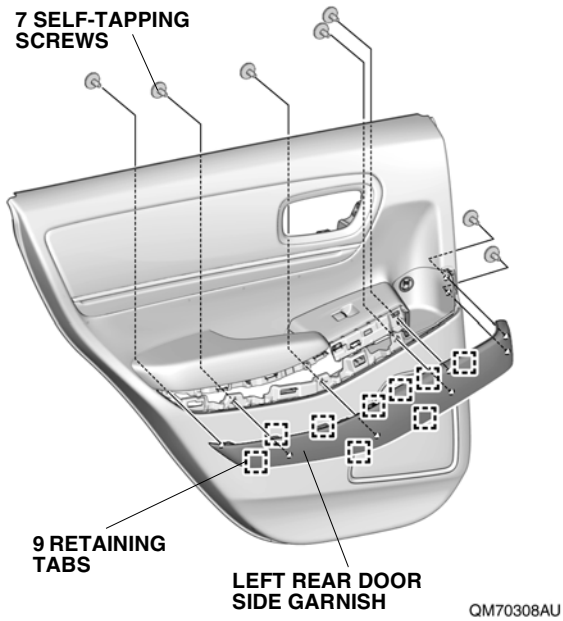
11. Release the left rear door lining.



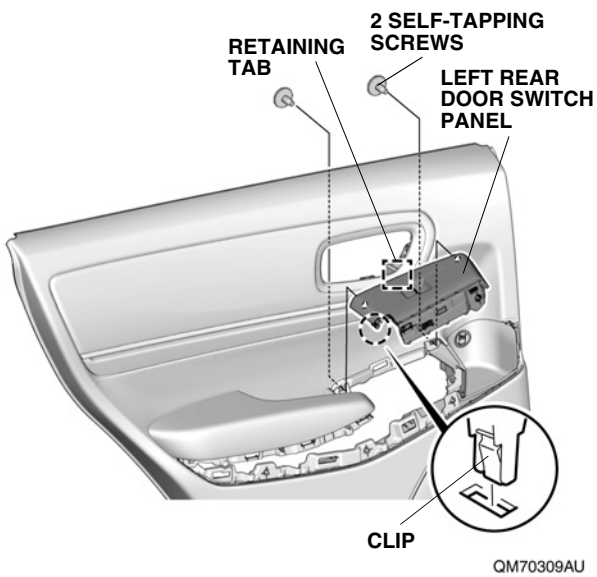
12. Remove the left rear door lining.



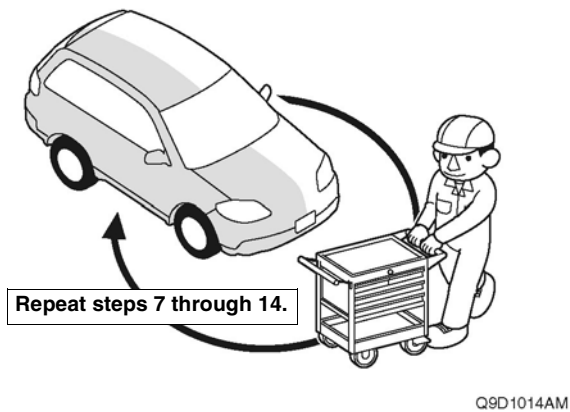
13. Remove the left rear door side garnish.



14. Remove the left rear door switch panel.

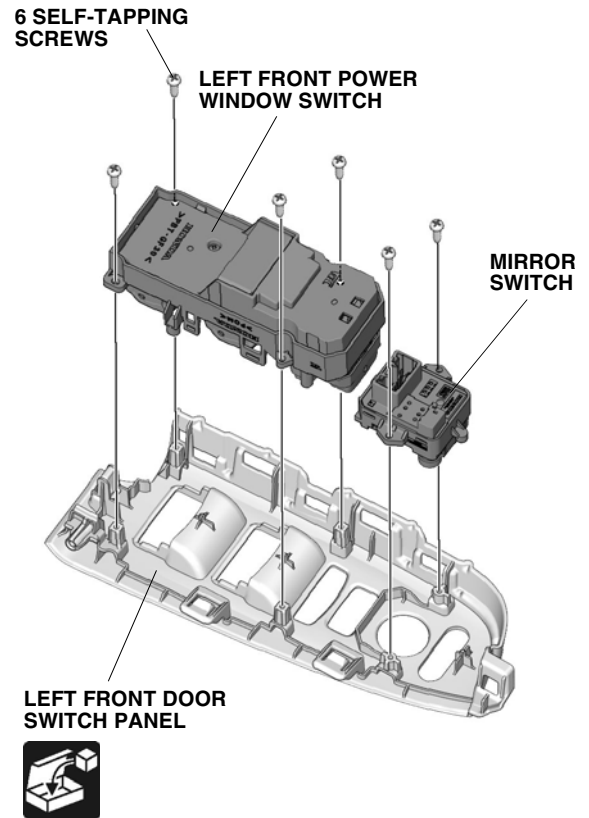


15. Repeat the same procedures on the other side.



Installing the Panels (LHD)

16. Remove the left front power window switch and mirror switch.

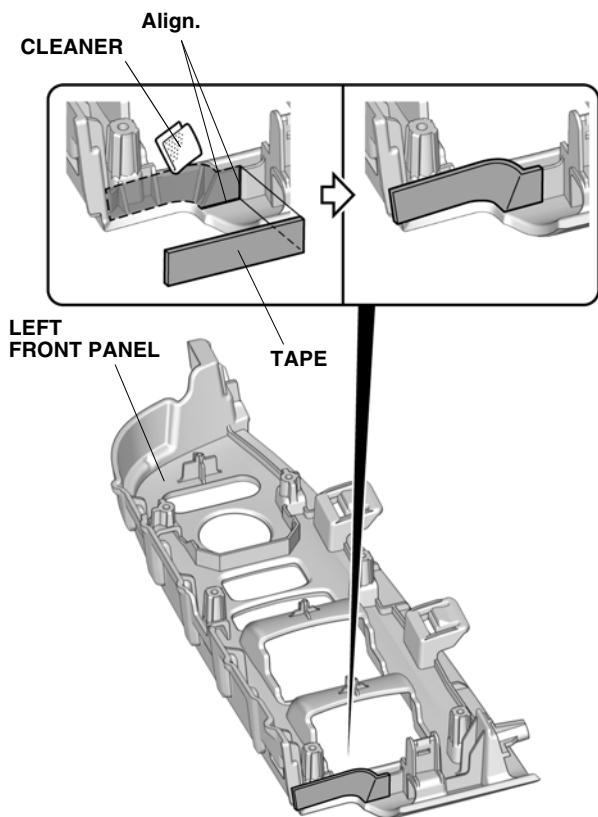


17. Clean the attaching area.

NOTICE

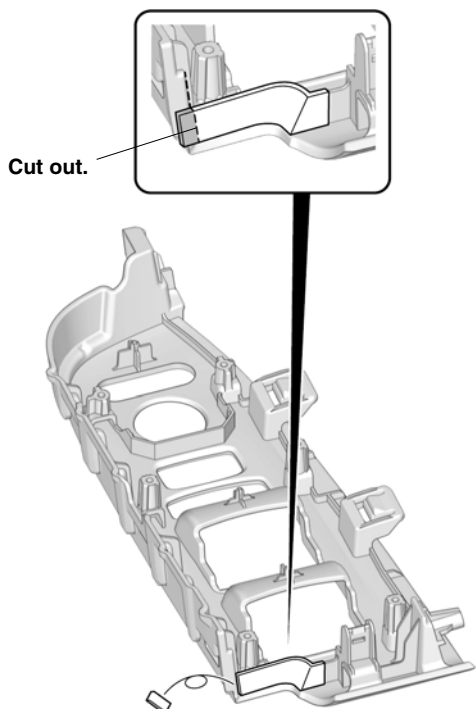
- Allow to dry thoroughly.

18. Attach the tape.



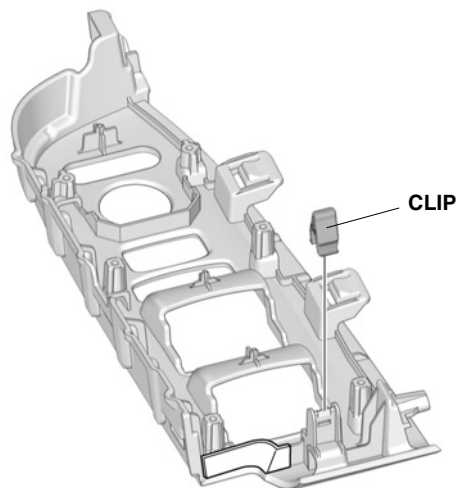
QM70327CU

19. Cut out the tape.



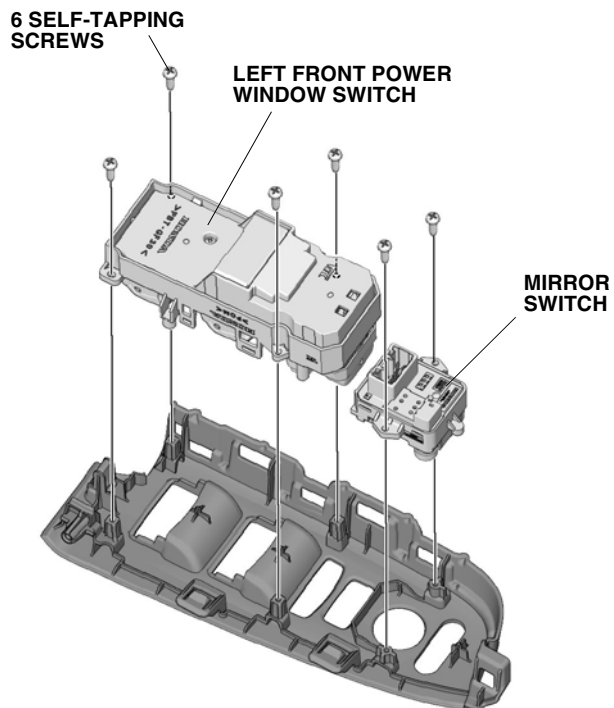
QM70328AU

20. Install the clip.



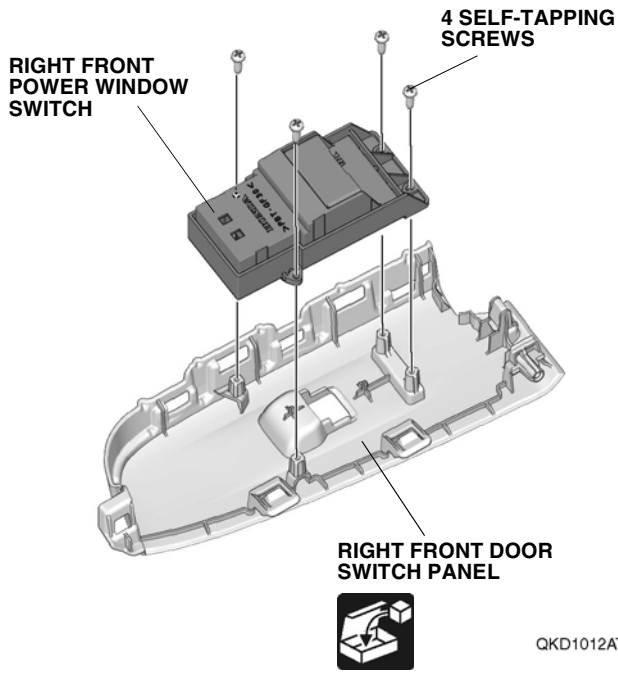
QM70329AU

21. Install the left front panel.



QKD1008AT

22. Remove the right front power window switch.

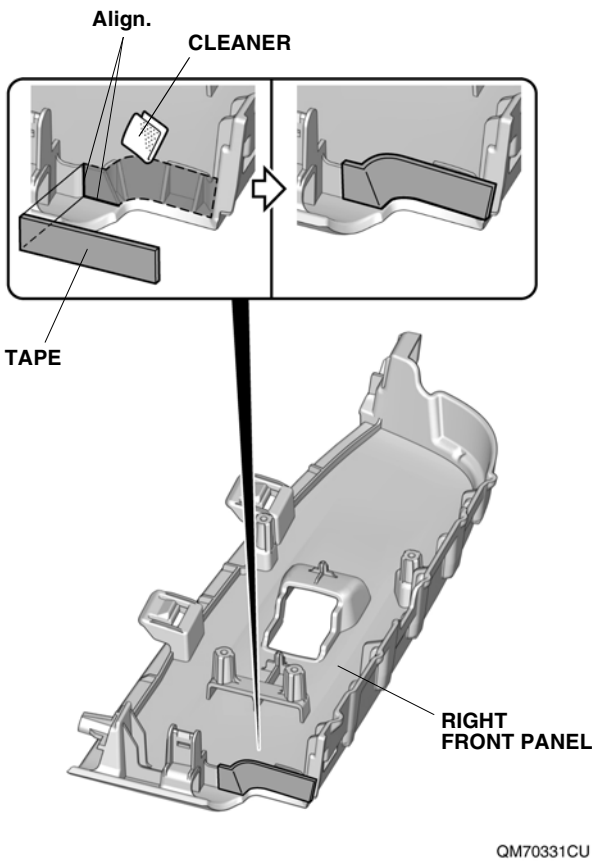


23. Clean the attaching area.

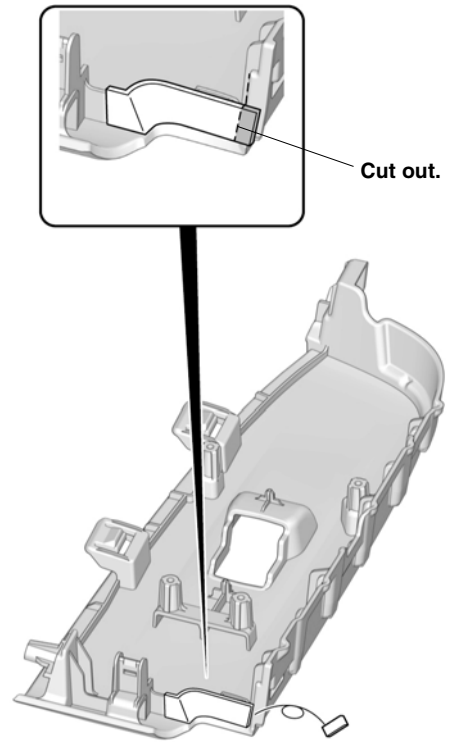
NOTICE

- Allow to dry thoroughly.

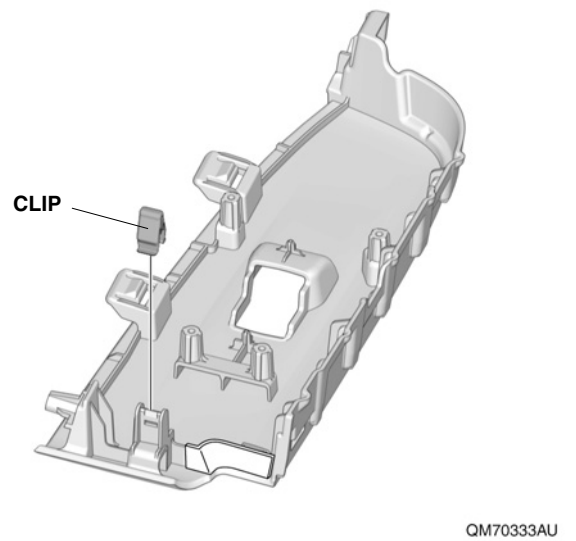
24. Attach the tape.



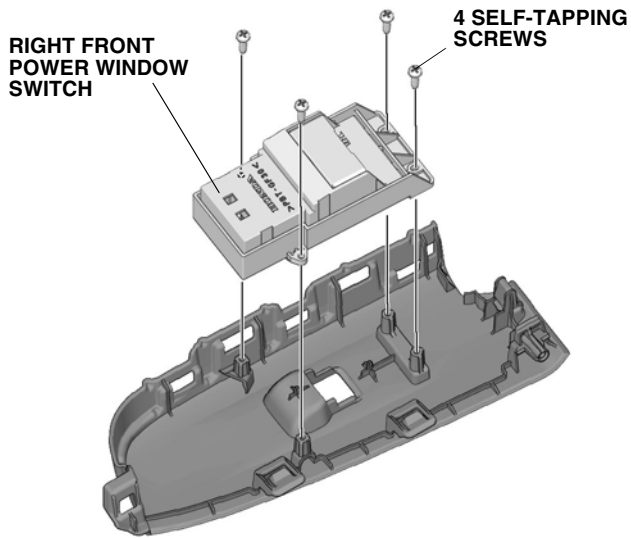
25. Cut out the tape.



26. Install the clip.

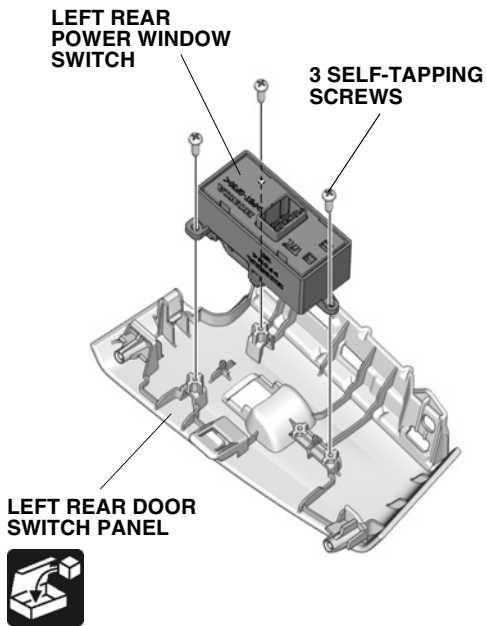


27. Install the right front panel.



QKD1009AT

28. Remove the left rear power window switch.



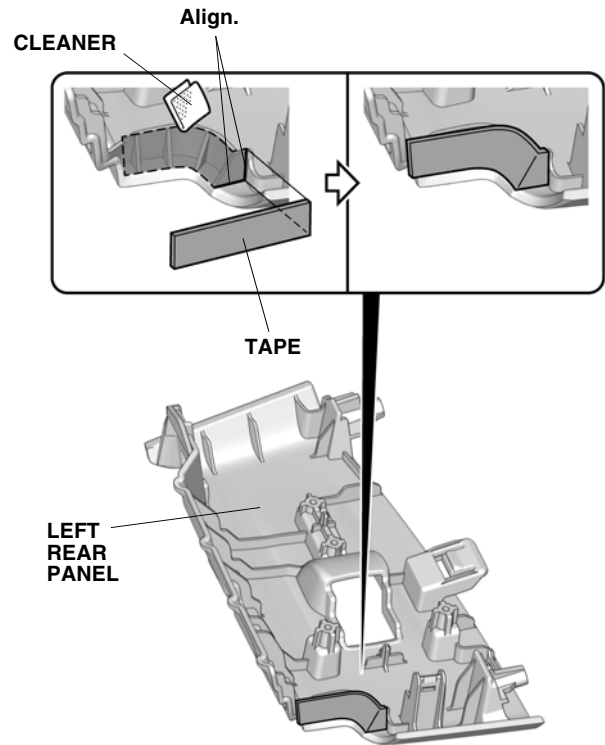
QM70310AU

29. Clean the attaching area.

NOTICE

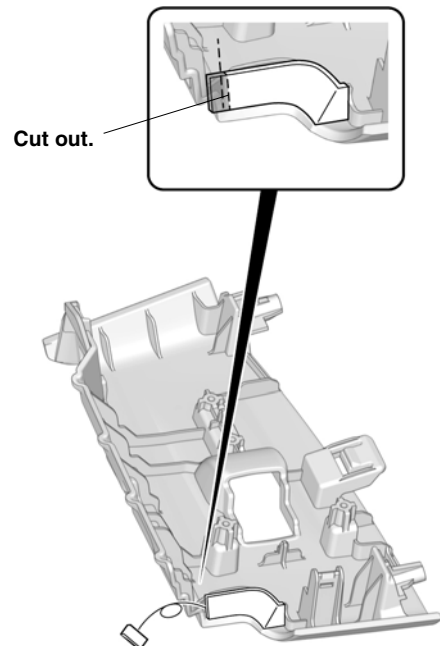
- Allow to dry thoroughly.

30. Attach the tape.



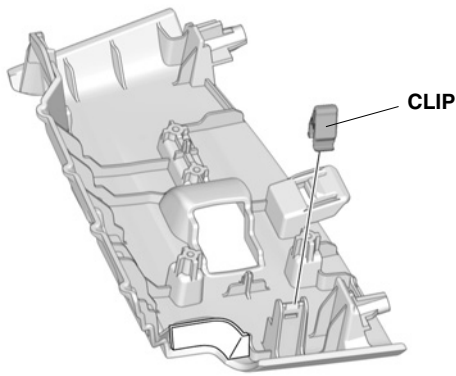
QM70334CU

31. Cut out the tape.



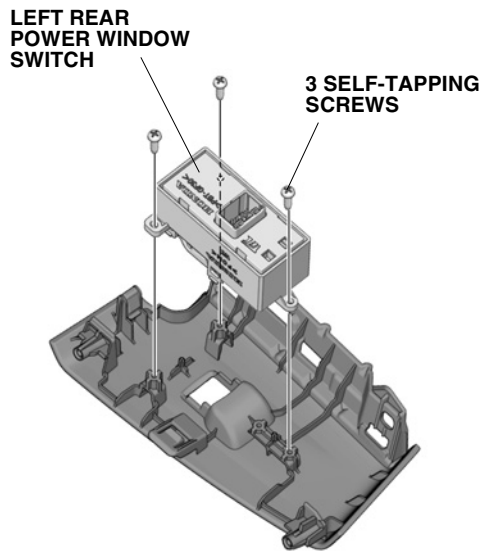
QM70335AU

32. Install the clip.



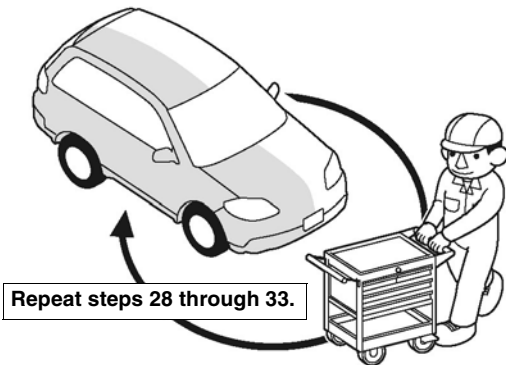
QM70336AU

33. Install the left rear panel.



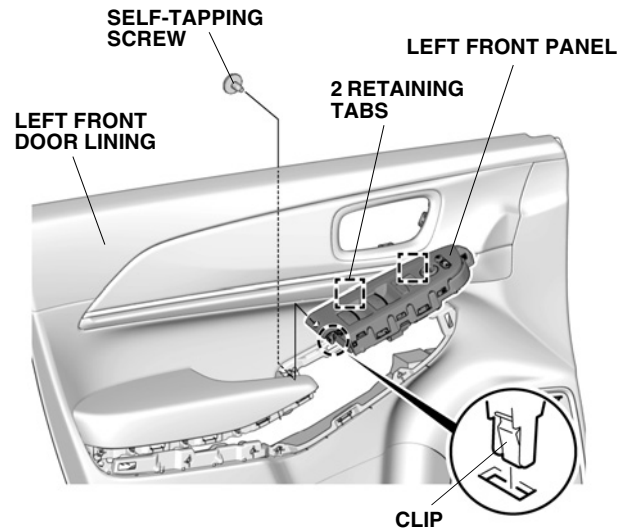
QM70311AU

34. Repeat the same procedures on the other side.



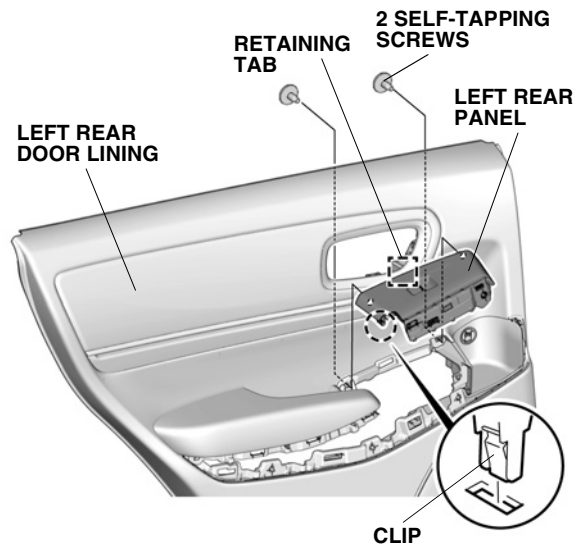
Q9D1014AM

35. Install the left front panel.



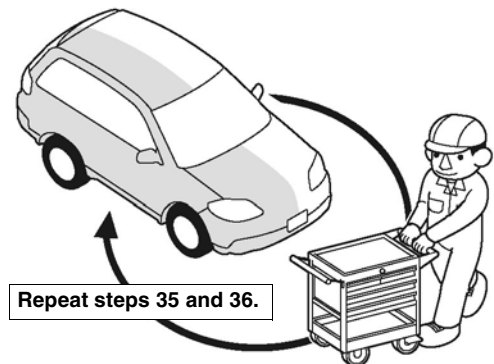
QM70305AU

36. Install the left rear panel.



QM70309AU

37. Repeat the same procedures on the other side.

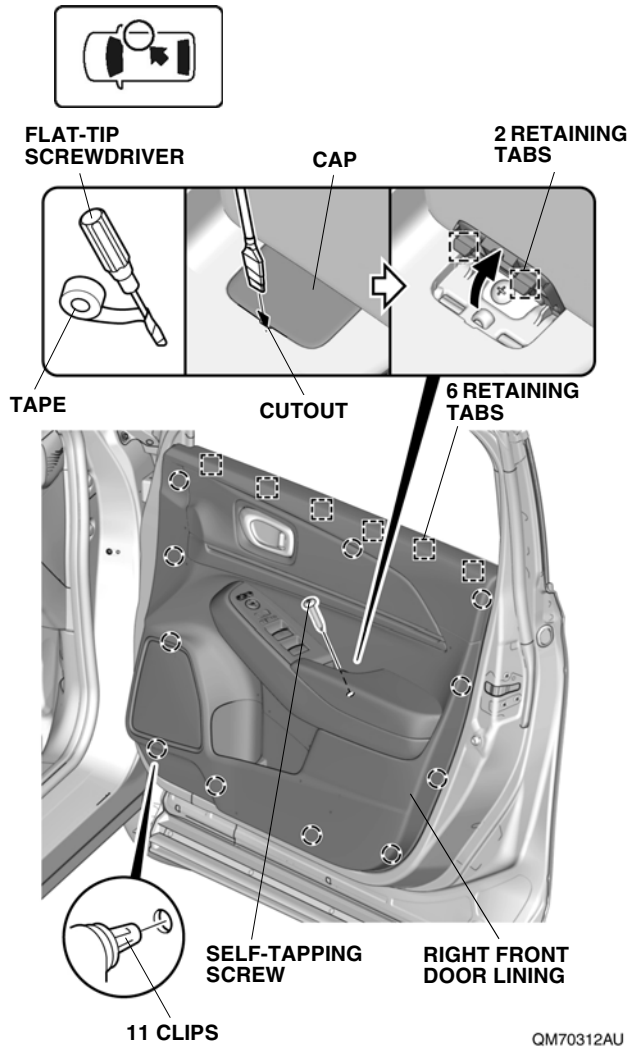


Q9D1014AM

To step 69

Removing the Vehicle Parts (RHD)

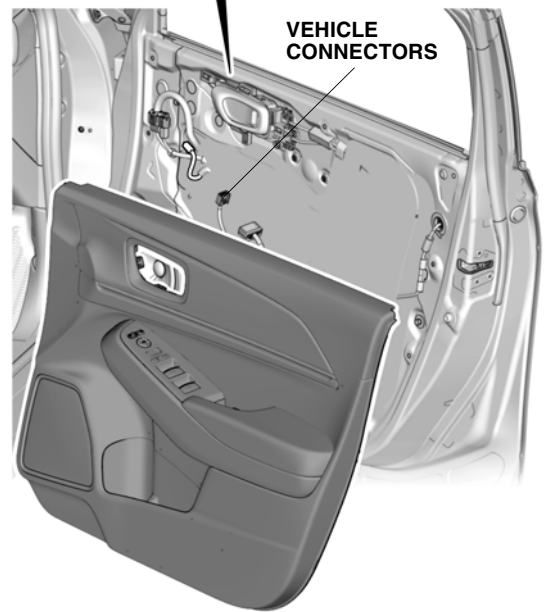
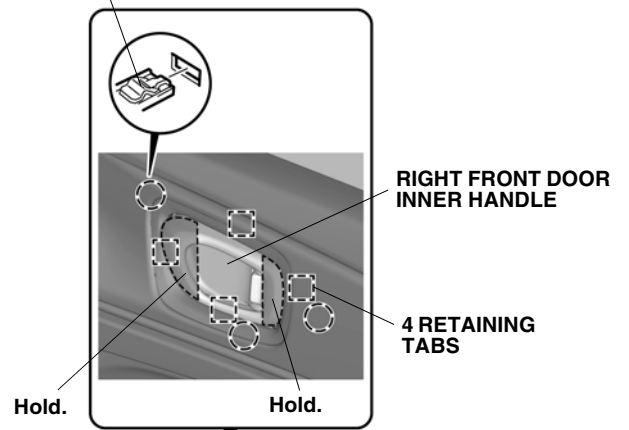
38. Release the right front door lining.



QM70312AU

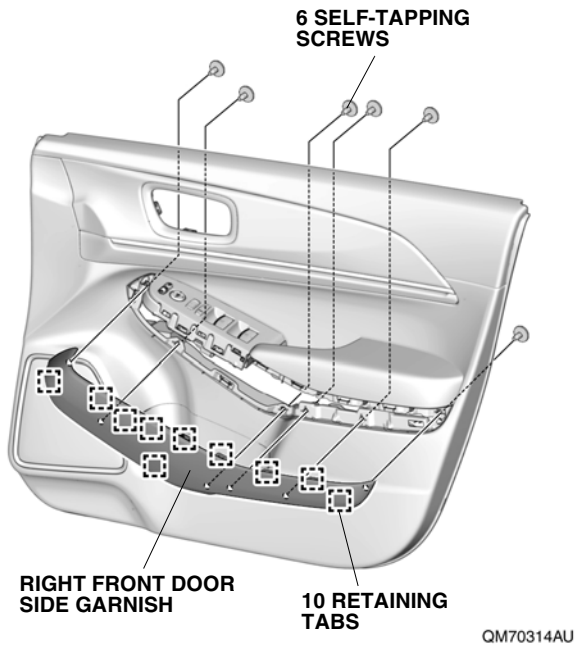
39. Remove the right front door lining.

3 CLIPS
(Remove the clip while holding the right front door inner handle.)

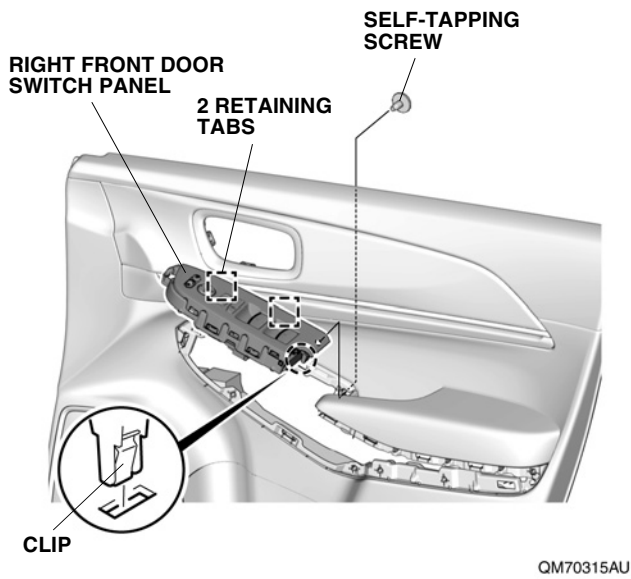


QM70313AU

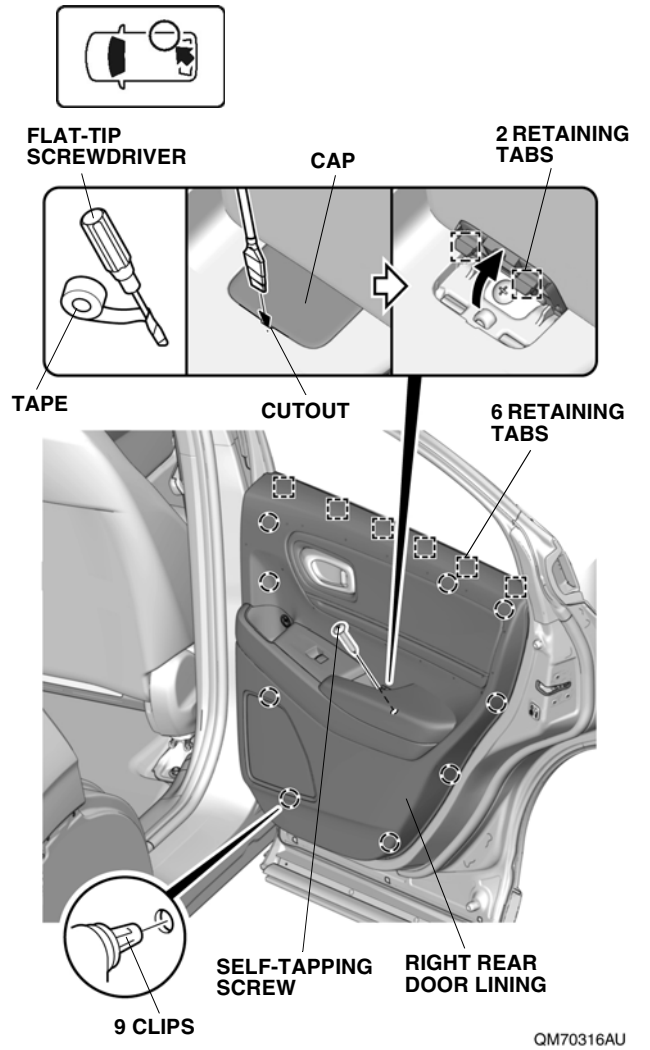
40. Remove the right front door side garnish.



41. Remove the right front door switch panel.

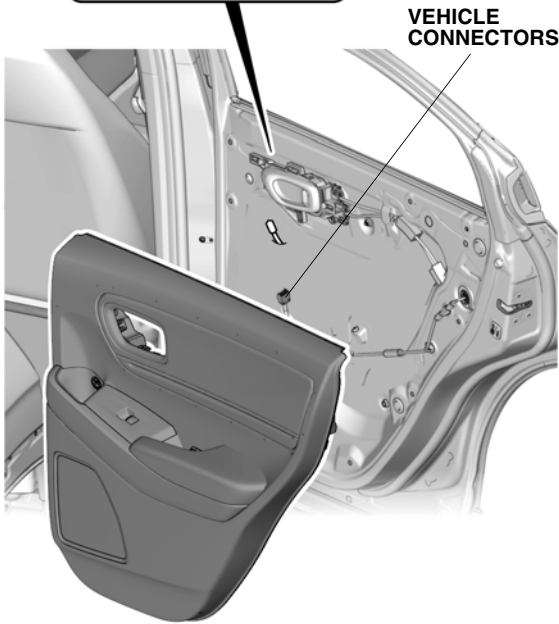
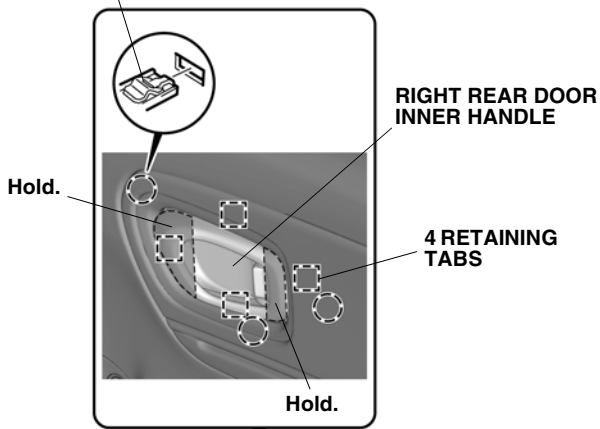


42. Release the right rear door lining.



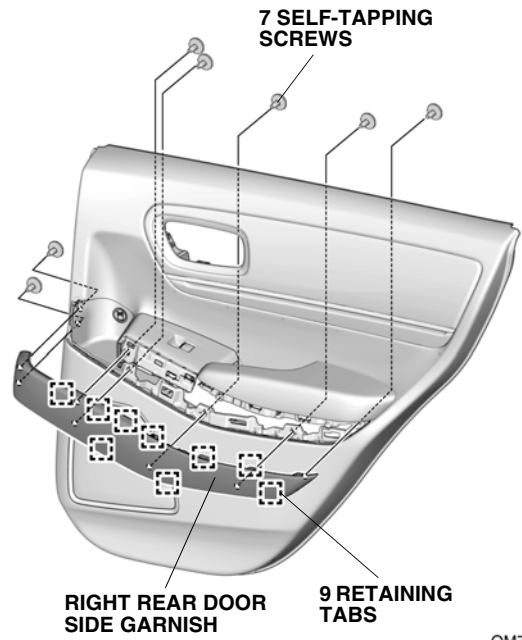
43. Remove the right rear door lining.

3 CLIPS
(Remove the clip while holding the right rear door inner handle.)



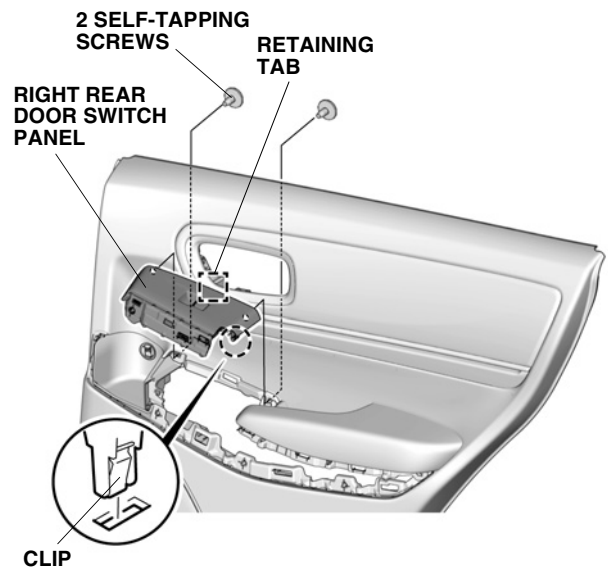
QM70317AU

44. Remove the right rear door side garnish.



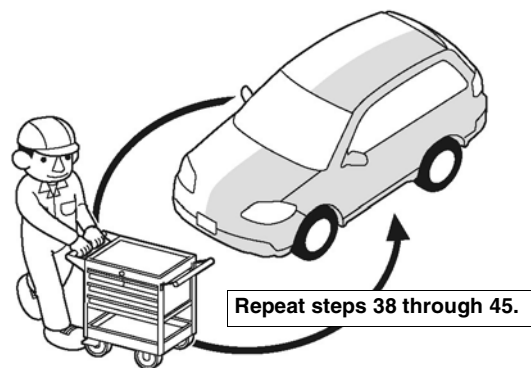
QM70318AU

45. Remove the right rear door switch panel.



QM70319AU

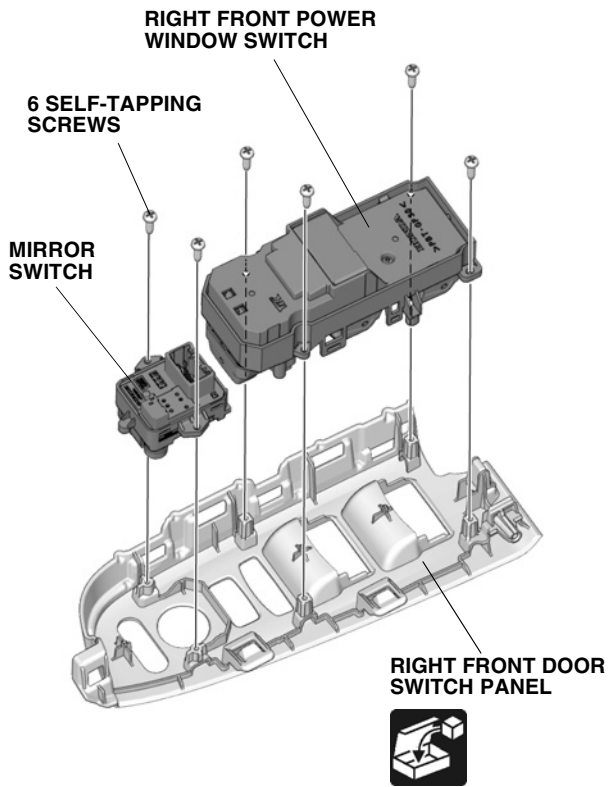
46. Repeat the same procedures on the other side.



Q9D1013AM

Installing the Panels (RHD)

47. Remove the right front power window switch and mirror switch.



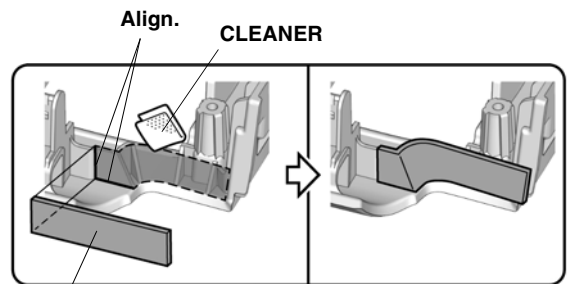
QM70320AU

48. Clean the attaching area.

NOTICE

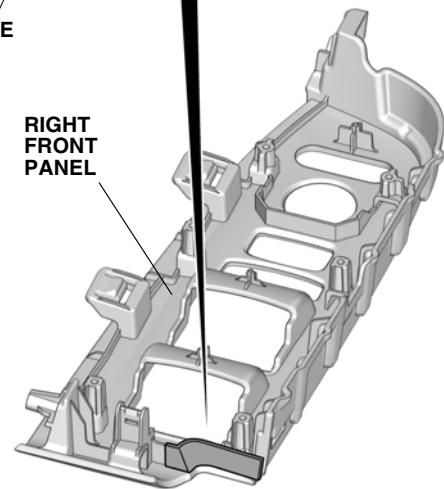
- Allow to dry thoroughly.

49. Attach the tape.



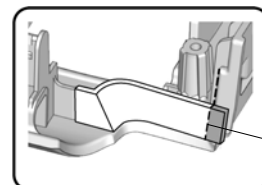
TAPE

RIGHT FRONT PANEL

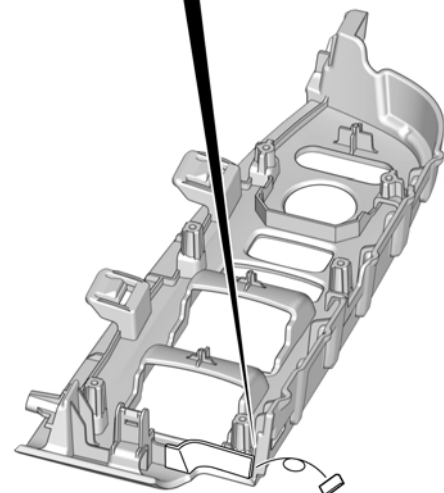


QM70337CU

50. Cut out the tape.

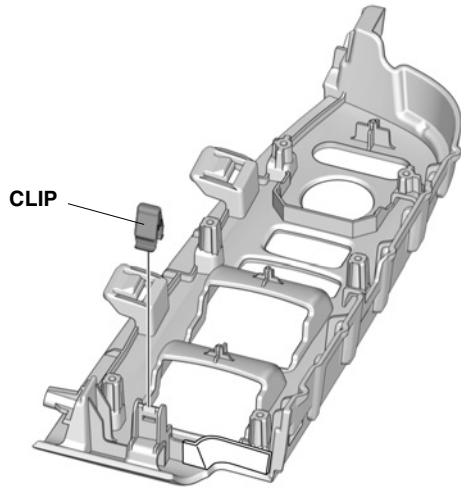


Cut out.



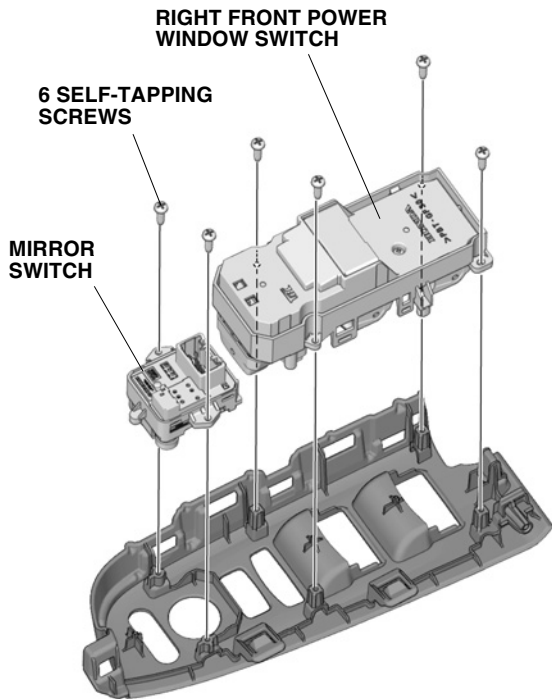
QM70338AU

51. Install the clip.



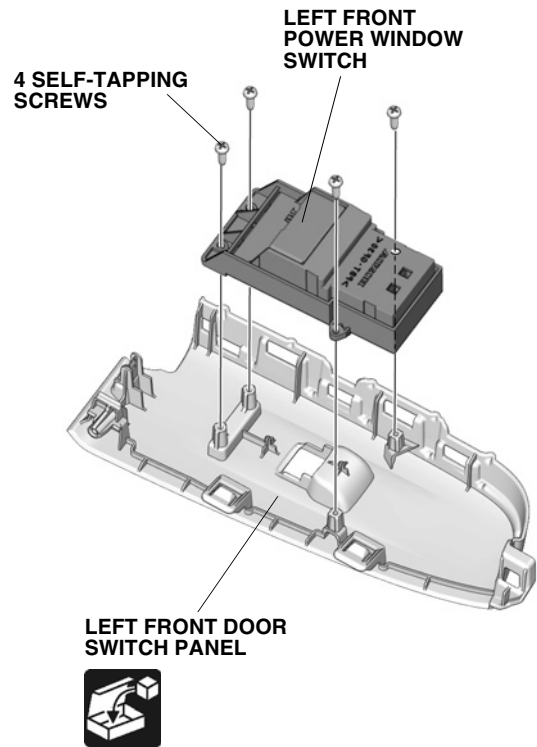
QM70339AU

52. Install the right front panel.



QM70321AU

53. Remove the left front power window switch.



QM70322AU

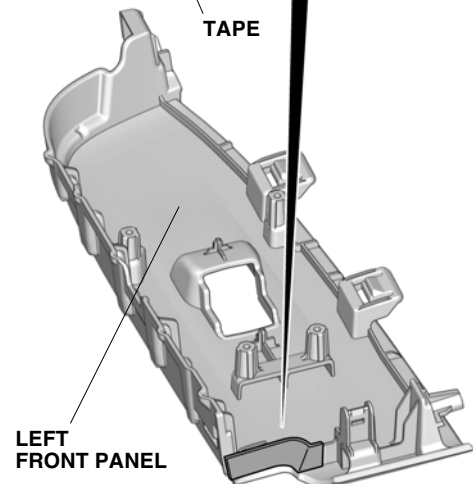
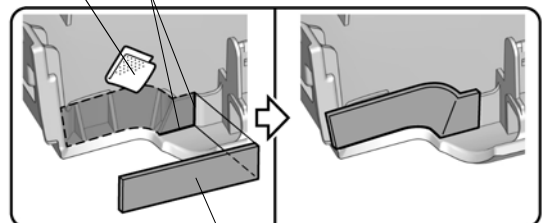
54. Clean the attaching area.

NOTICE

- Allow to dry thoroughly.

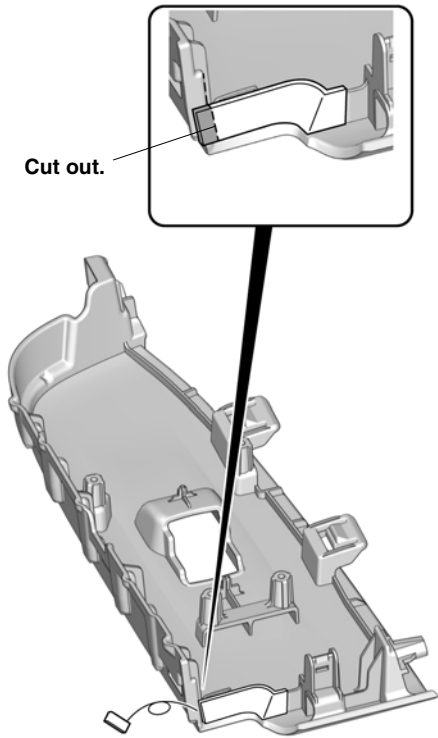
55. Attach the tape.

CLEANER Align.



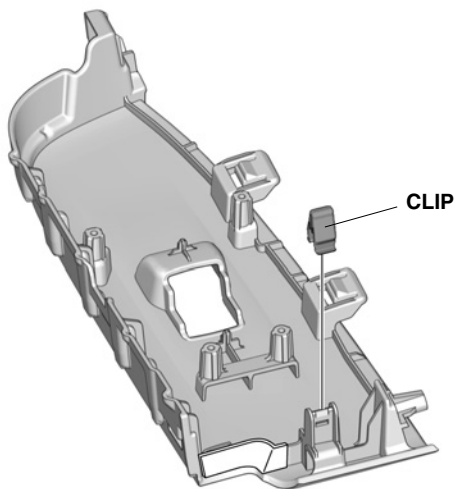
QM70340CU

56. Cut out the tape.



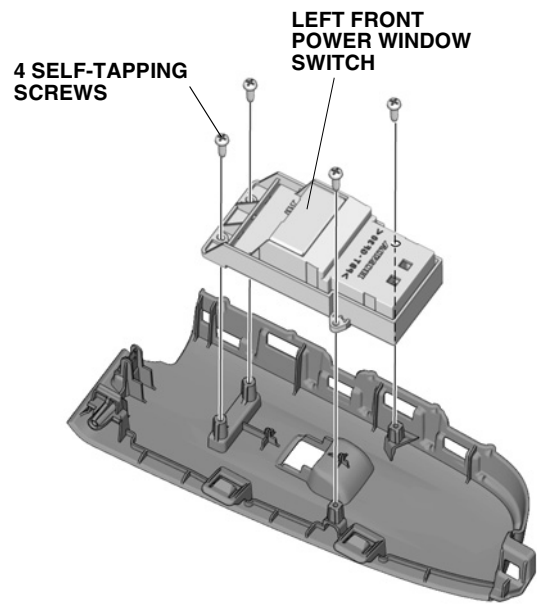
QM70341AU

57. Install the clip.



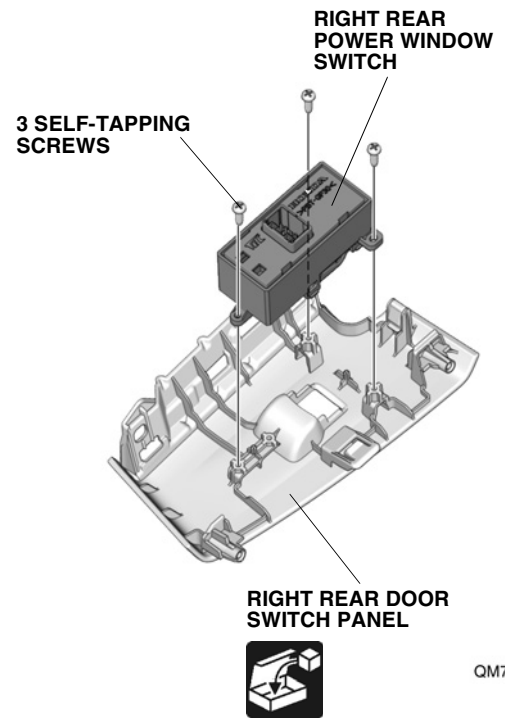
QM70342AU

58. Install the left front panel.



QM70323BU

59. Remove the right rear power window switch.



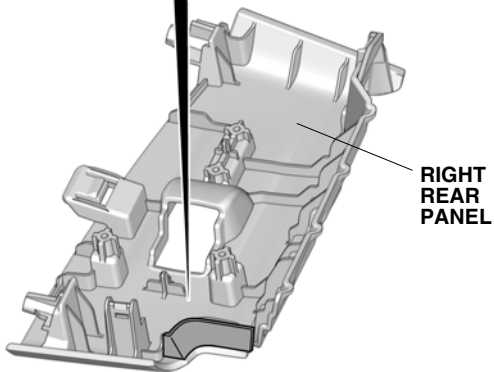
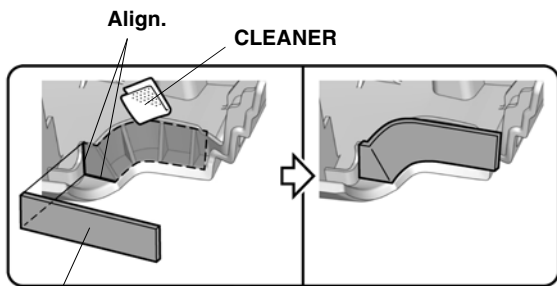
QM70324AU

60. Clean the attaching area.

NOTICE

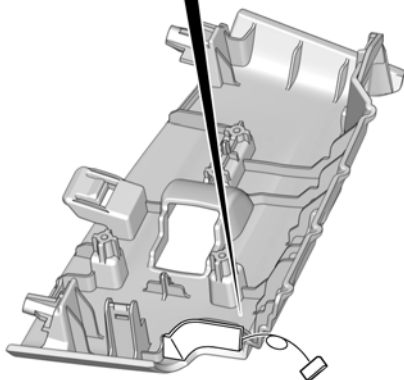
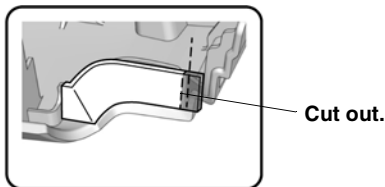
- Allow to dry thoroughly.

61. Attach the tape.



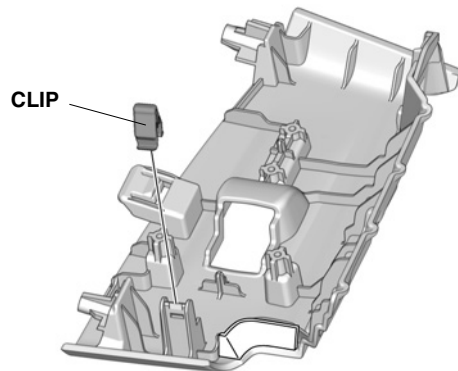
QM70343CU

62. Cut out the tape.



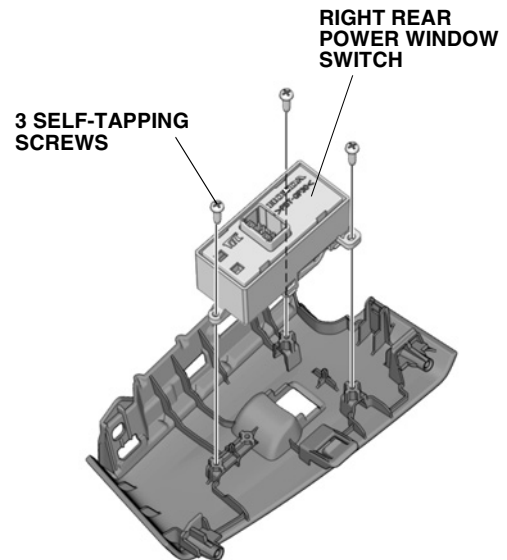
QM70344AU

63. Install the clip.



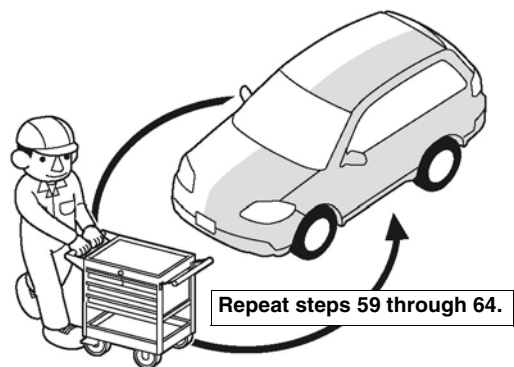
QM70345AU

64. Install the right rear panel.



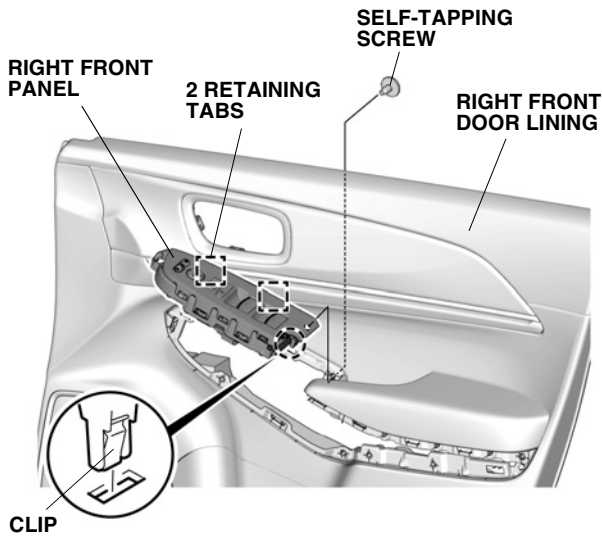
QM70325BU

65. Repeat the same procedures on the other side.



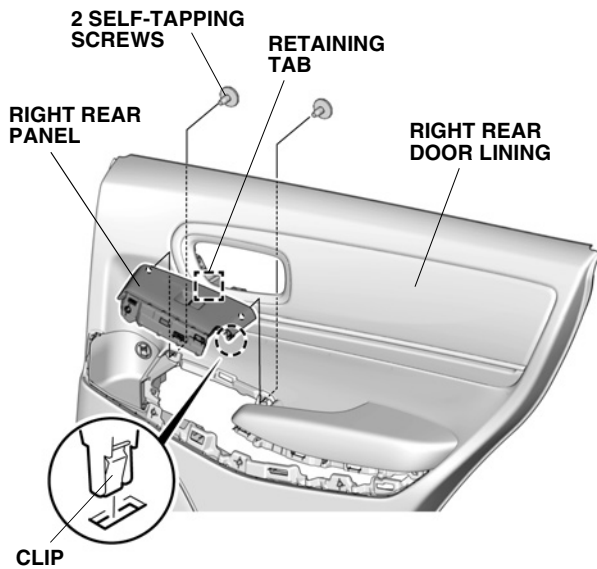
Q9D1013AM

66. Install the right front panel.



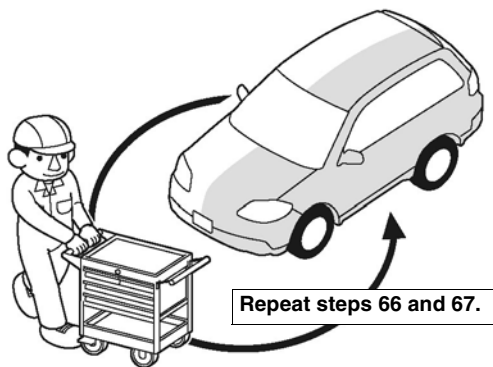
QM70315AU

67. Install the right rear panel.



QM70319AU

68. Repeat the same procedures on the other side.



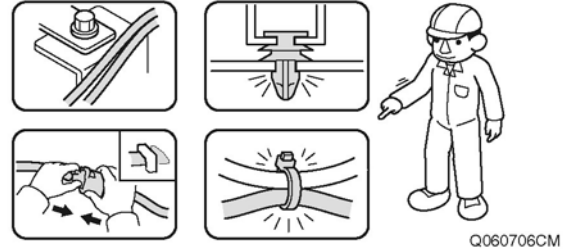
Q9D1013AM

Check After Installation

69. Check that all parts are routed and installed properly.

NOTICE

- Check that the harnesses are not pushed, not pulled and not pinched.
- Check that all clamps and wire ties are installed securely.



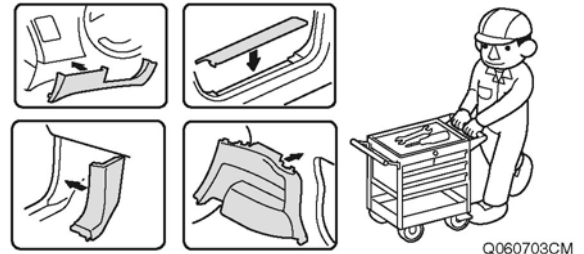
Q060706CM

Reinstalling the All Removed Parts

70. Reinstall all removed parts.

NOTICE

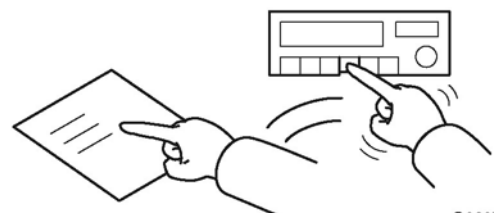
- Be extremely careful not to damage the vehicle parts, pinch the harnesses.
- Make sure to secure the retaining tabs and clips properly to avoid separation.



Q060703CM

Vehicle Check

71. Reconnect the negative cable to the battery.
72. Check that the electric accessories and systems operate properly.
73. Press and hold the audio power button for two seconds, or enter anti-theft code for the audio/navigation system.
74. Reset the memory of each equipment and restore the positions of those control knobs.



Q060704BM